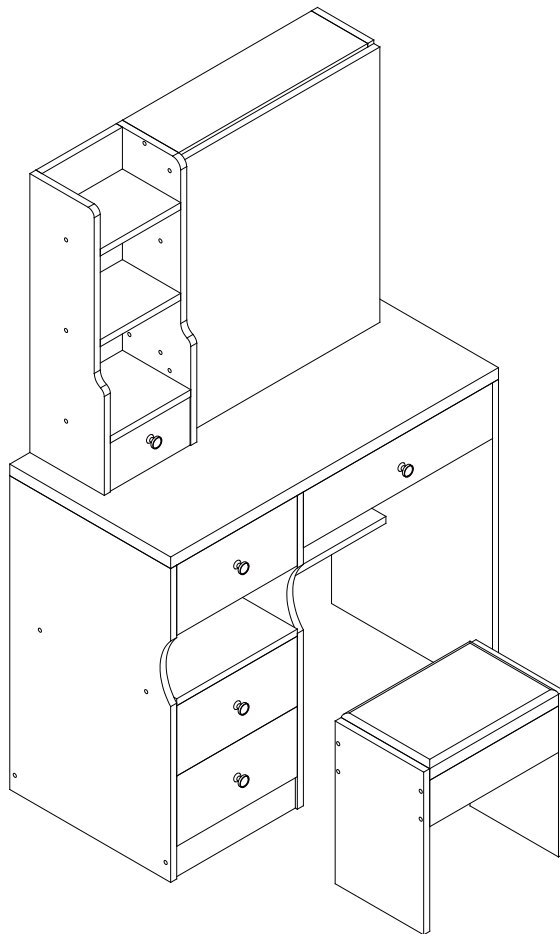


CRAZY ELF

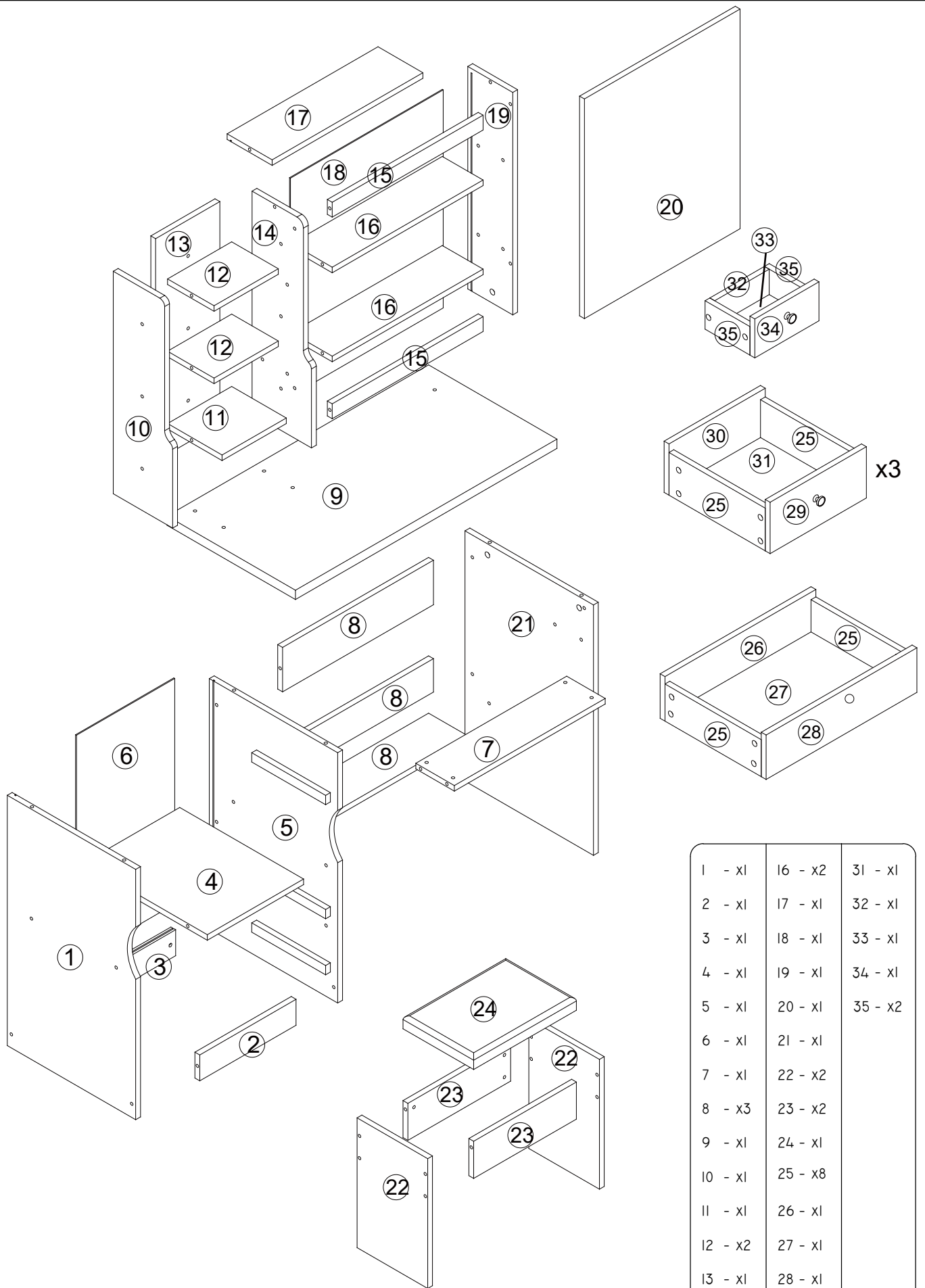
vanity table

T68

INSTALLATION MANUAL

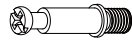


Thank you for purchasing the goods in our store this time
Please read this manual carefully before using it
Please keep this manual properly



1 - x1	16 - x2	31 - x1
2 - x1	17 - x1	32 - x1
3 - x1	18 - x1	33 - x1
4 - x1	19 - x1	34 - x1
5 - x1	20 - x1	35 - x2
6 - x1	21 - x1	
7 - x1	22 - x2	
8 - x3	23 - x2	
9 - x1	24 - x1	
10 - x1	25 - x8	
11 - x1	26 - x1	
12 - x2	27 - x1	
13 - x1	28 - x1	
14 - x1	29 - x1	
15 - x2	30 - x1	

HARDWARE



A	SCREW & PLASTIC LOCK	x52
---	----------------------	-----



B	SCREW & METAL LOCK	x52
---	--------------------	-----



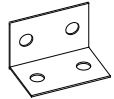
C	SCREW	x12
---	-------	-----



D	GUIDE RAIL	x2
---	------------	----



E	HANDLE	x5
---	--------	----



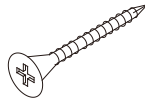
F	L PLATE	x2
---	---------	----



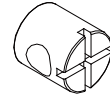
G	SCREW	x8
---	-------	----



L	SCREW	x5
---	-------	----



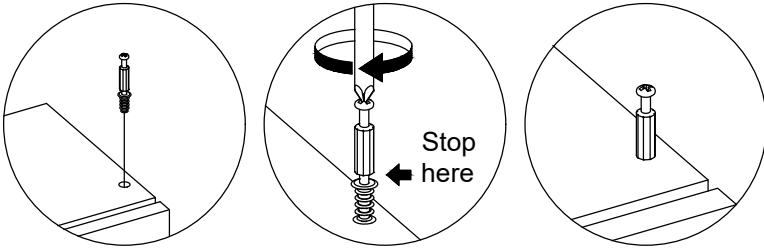
J	SCREW	x43
---	-------	-----



K	SCREW	x43
---	-------	-----

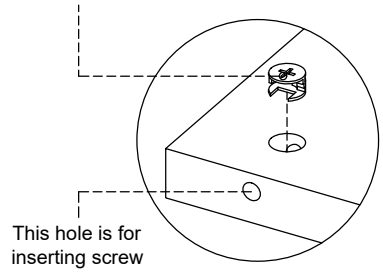
1. Screw installation method

When the screw is installed, please keep it in line with the board, and do not tighten it too tightly

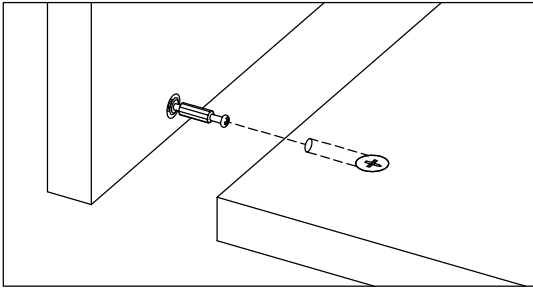


2. Check the Nut direction

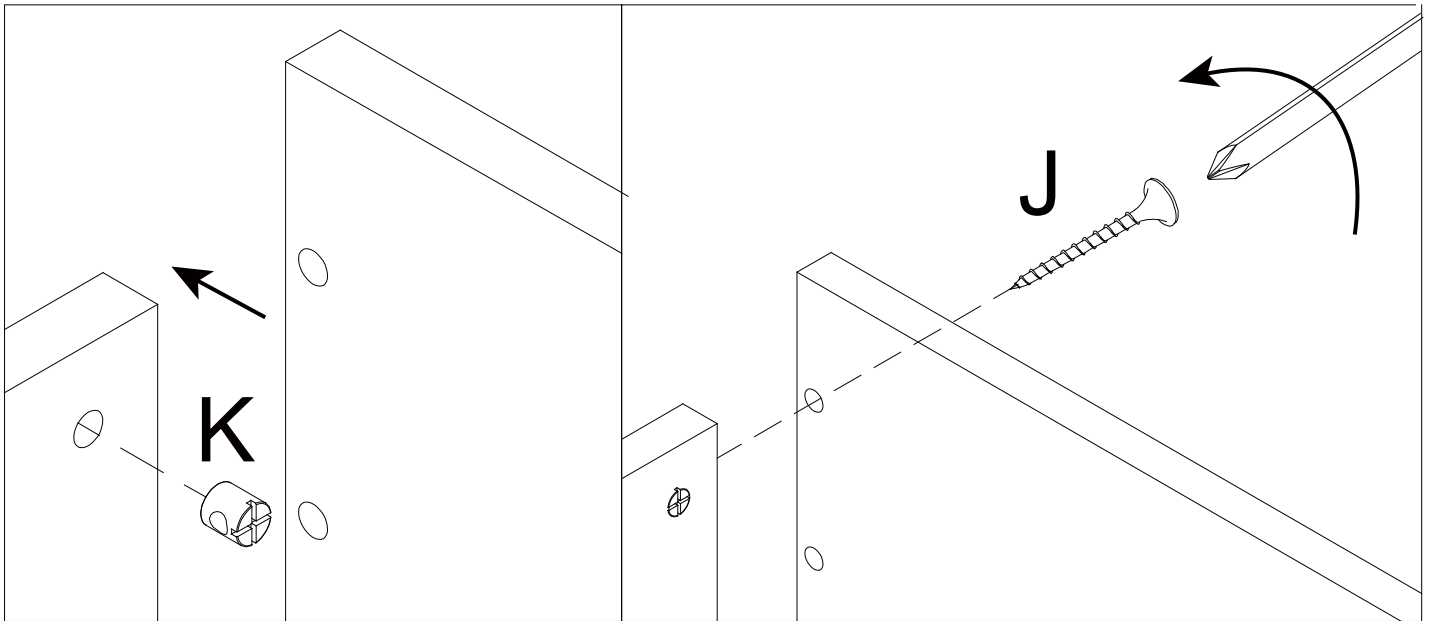
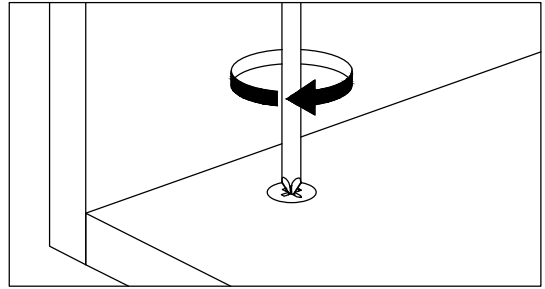
This direction of the marked nut is consistent with the direction in which the screw is inserted



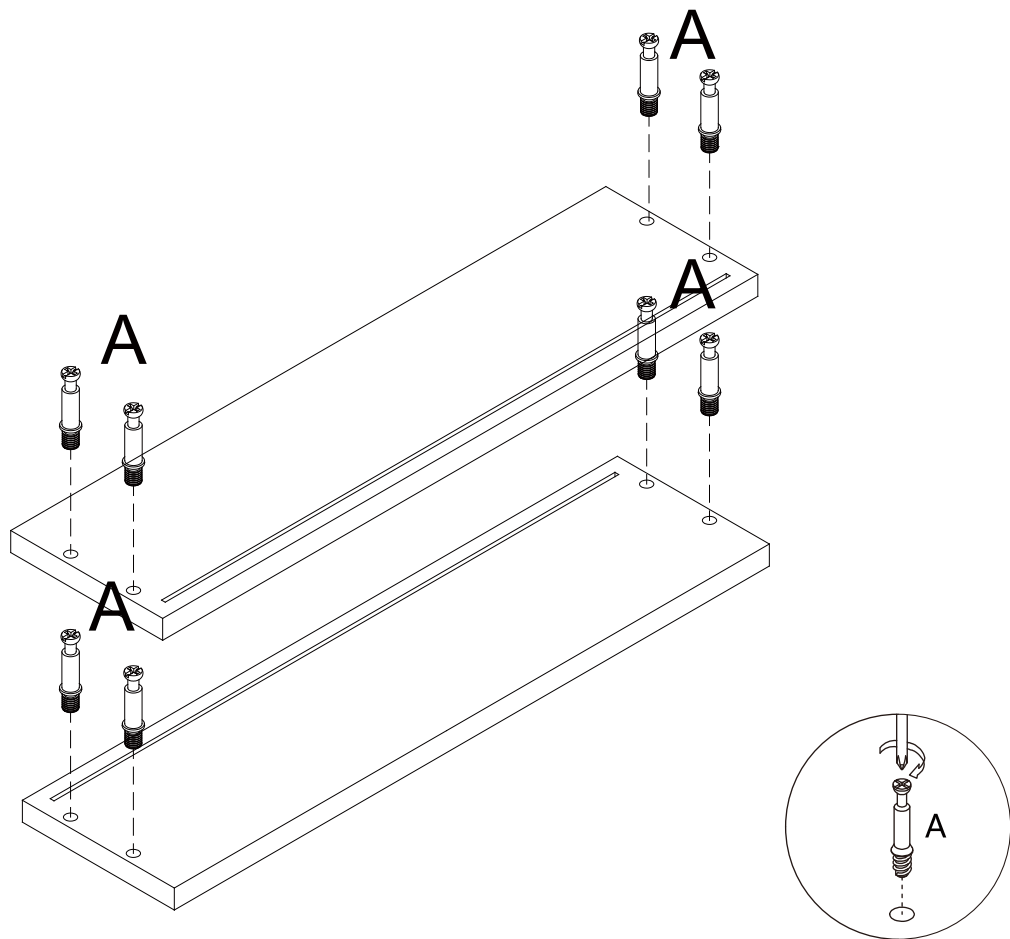
3. Installation on the board with fixing screws



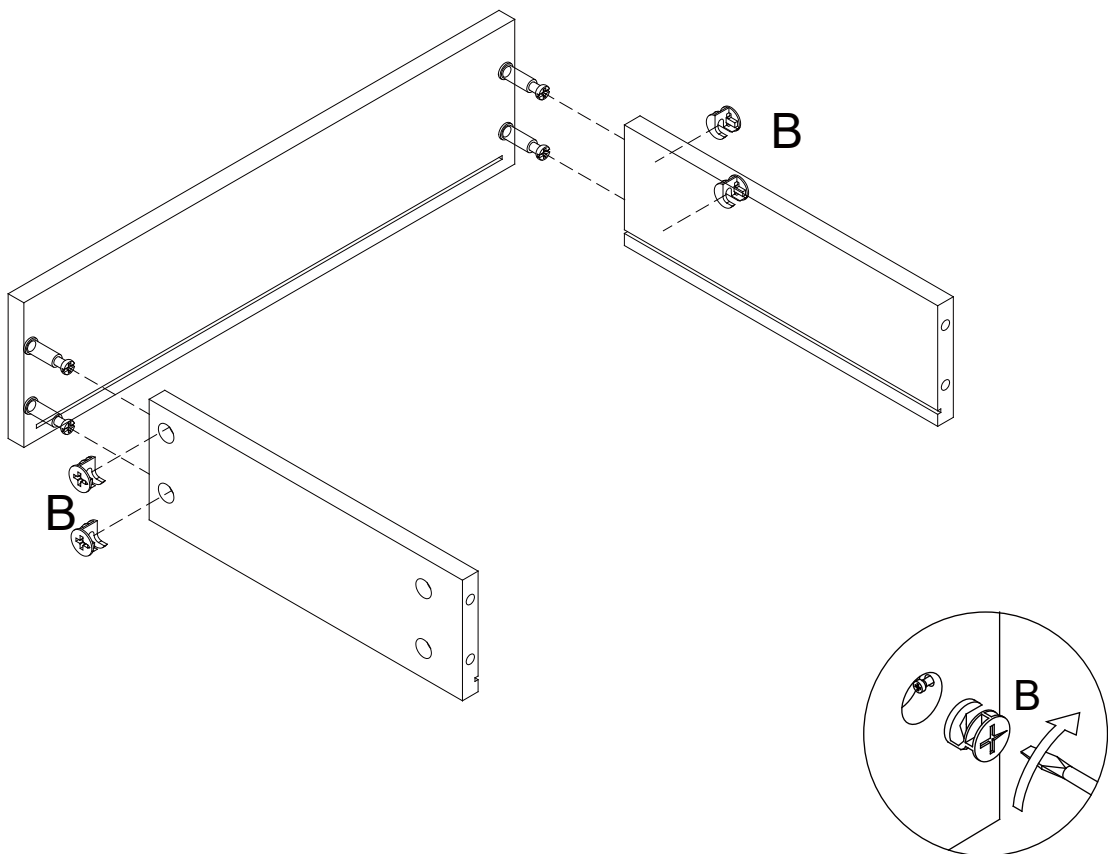
3. Rotate slowly until it stops



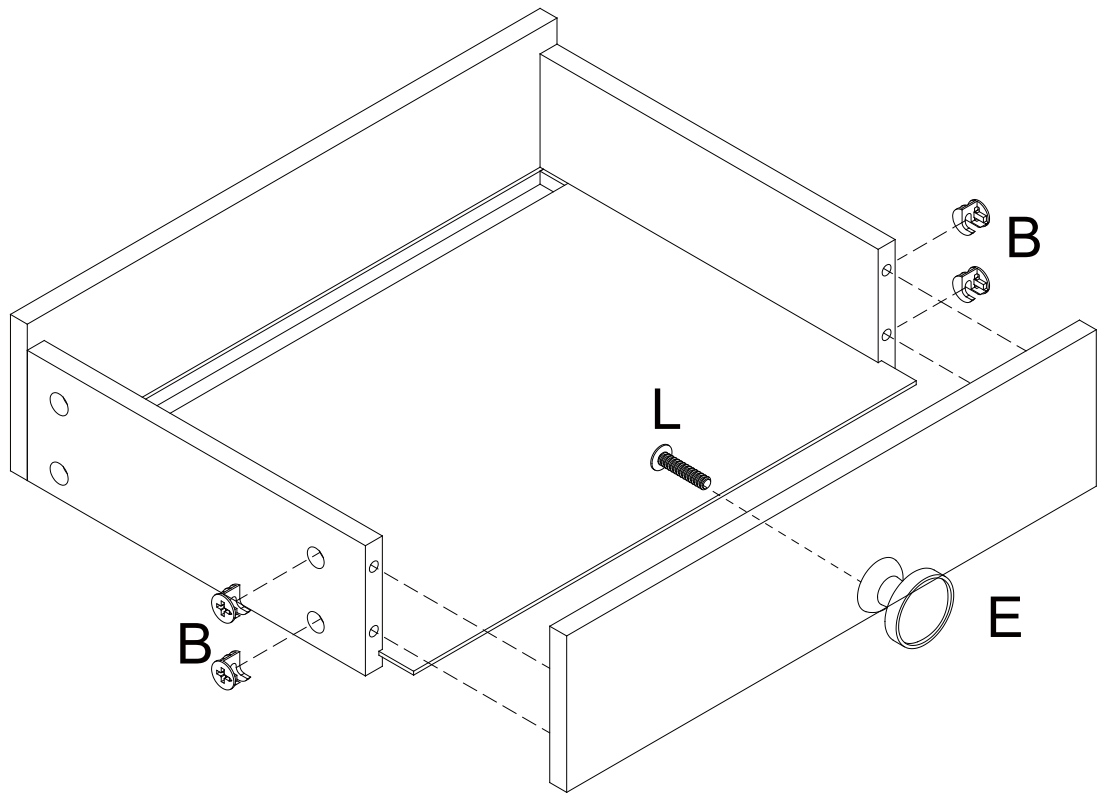
Step 01



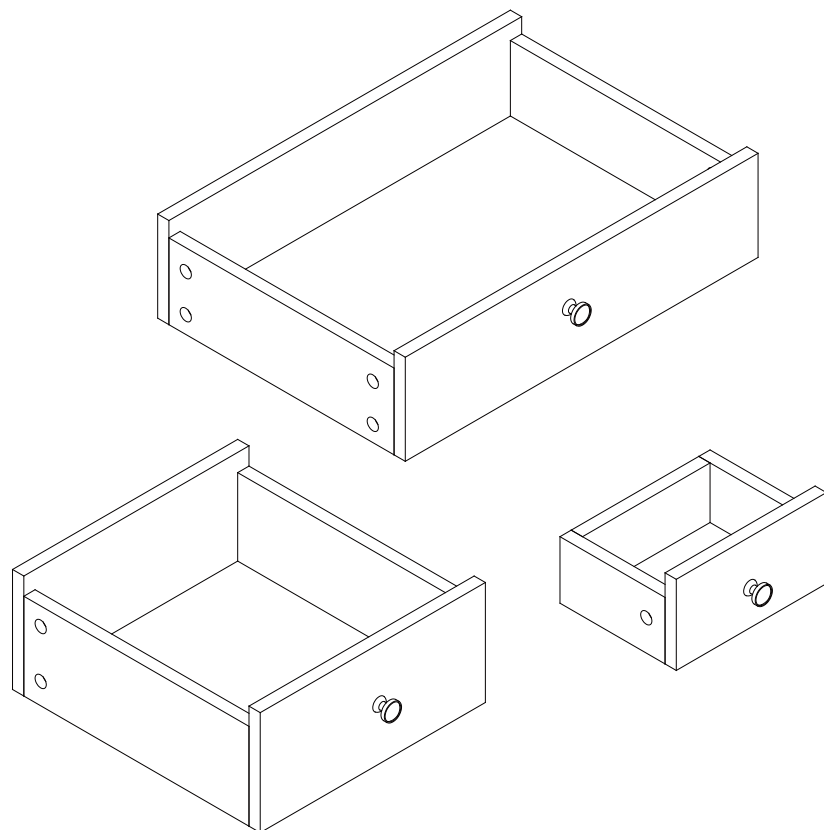
Step 02



Step 03

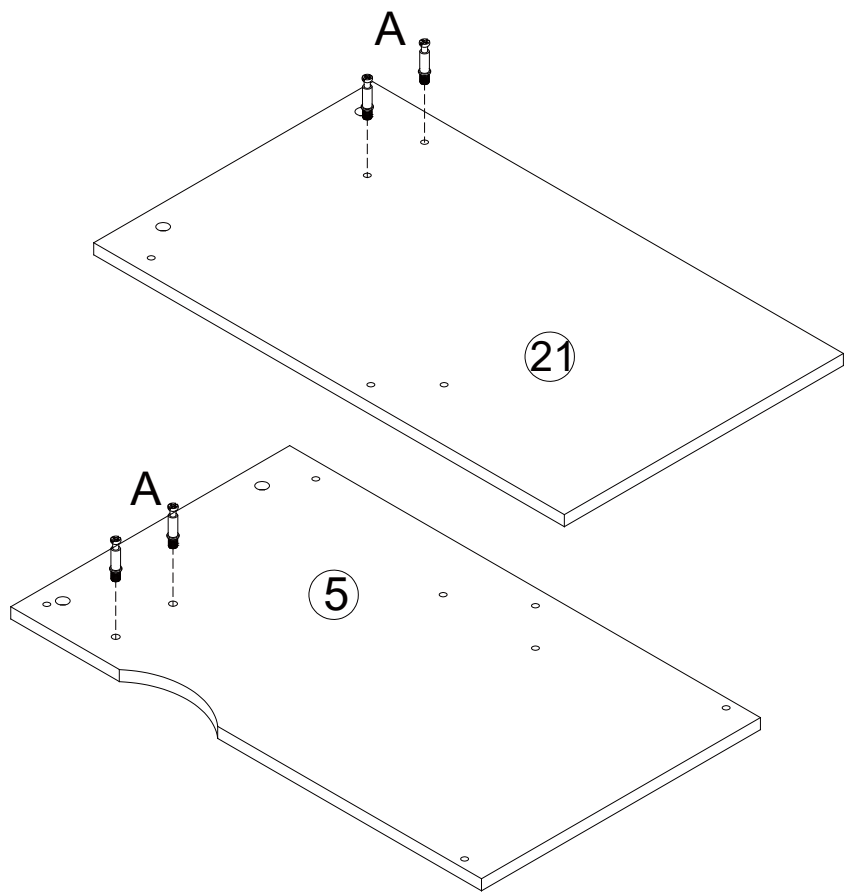


Step 04

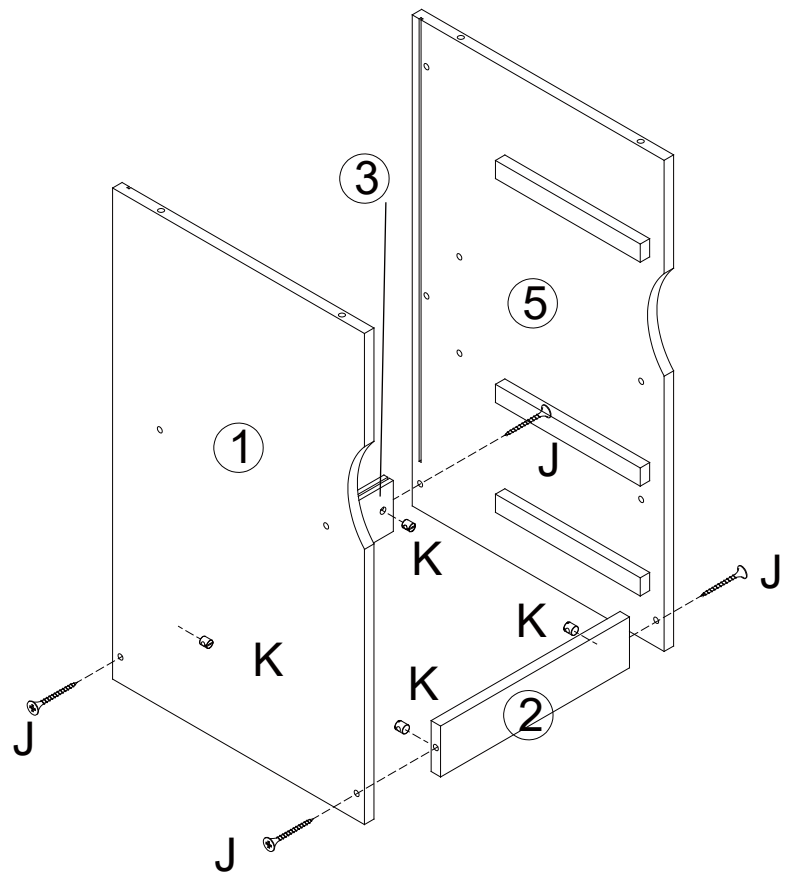


Three drawers are installed in the same way

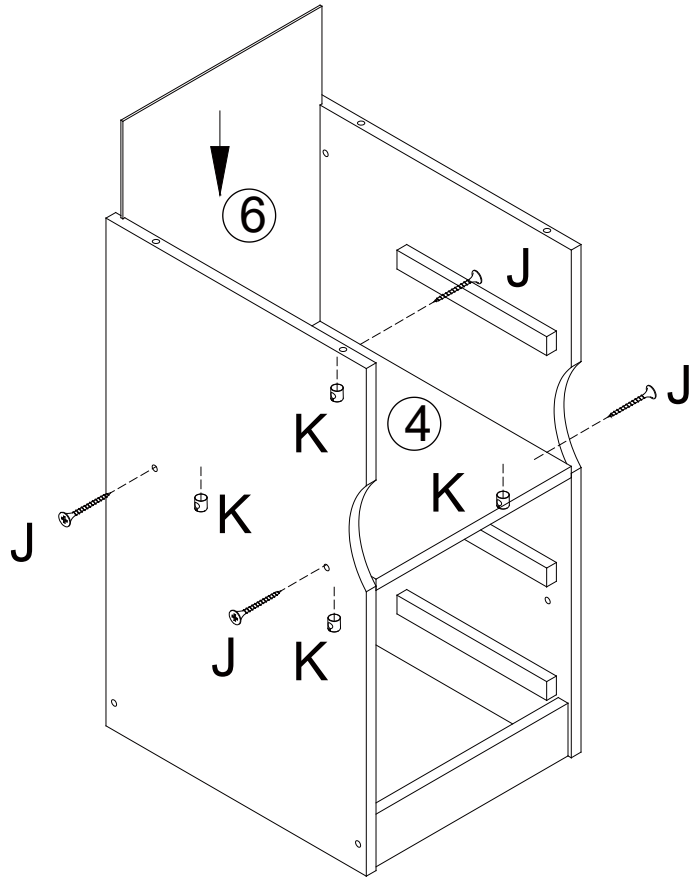
Step 05



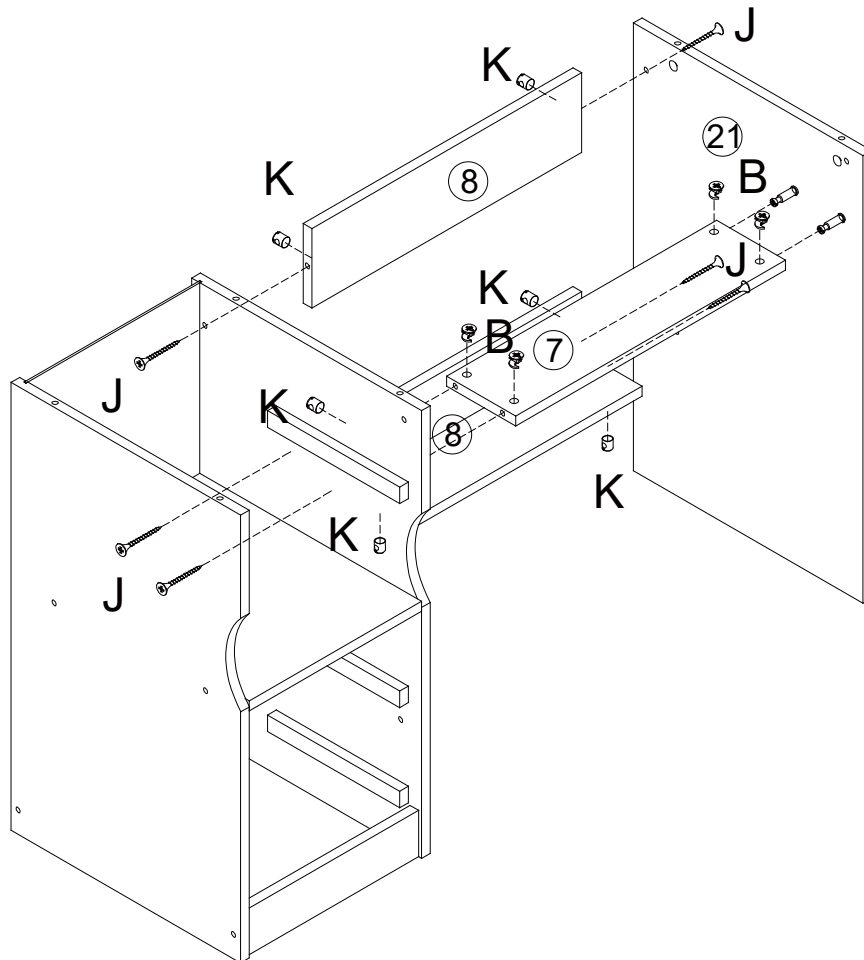
Step 06



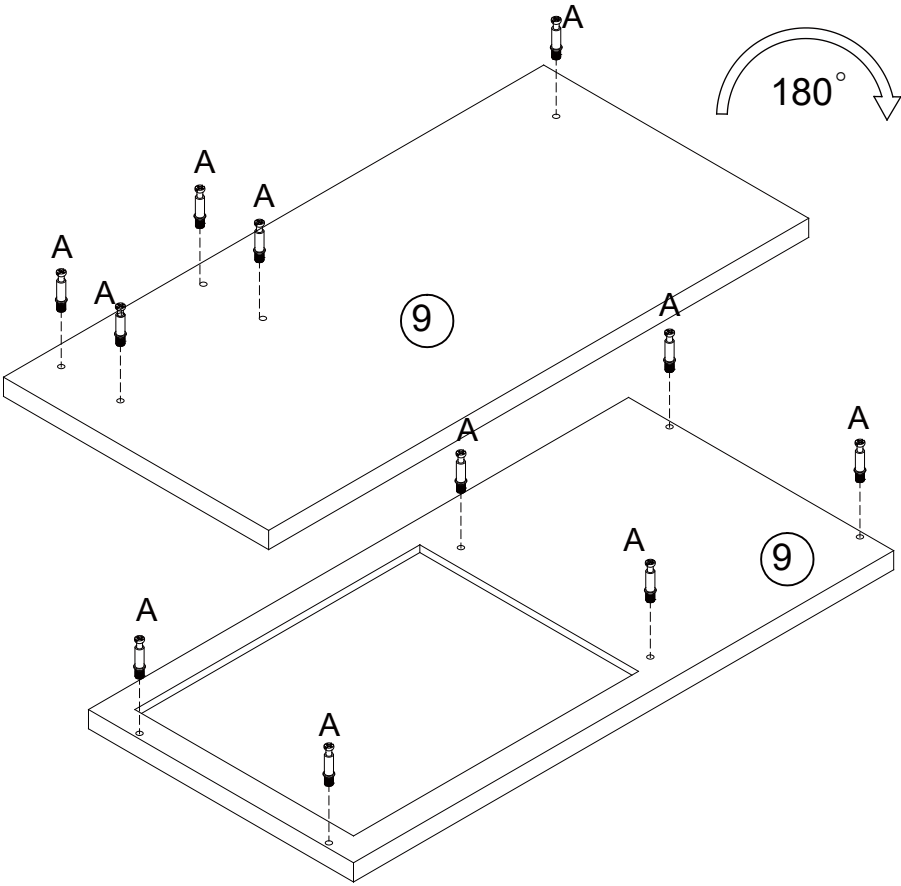
Step 07



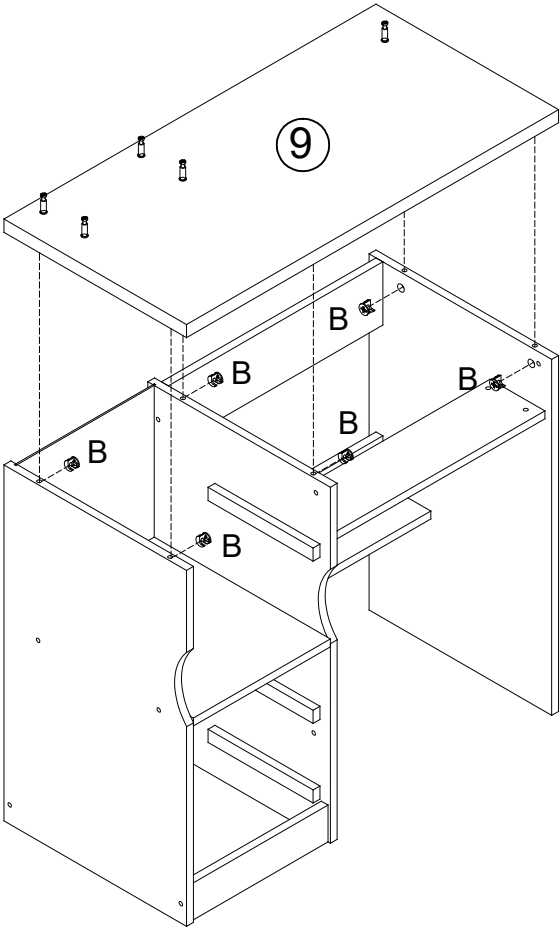
Step 08



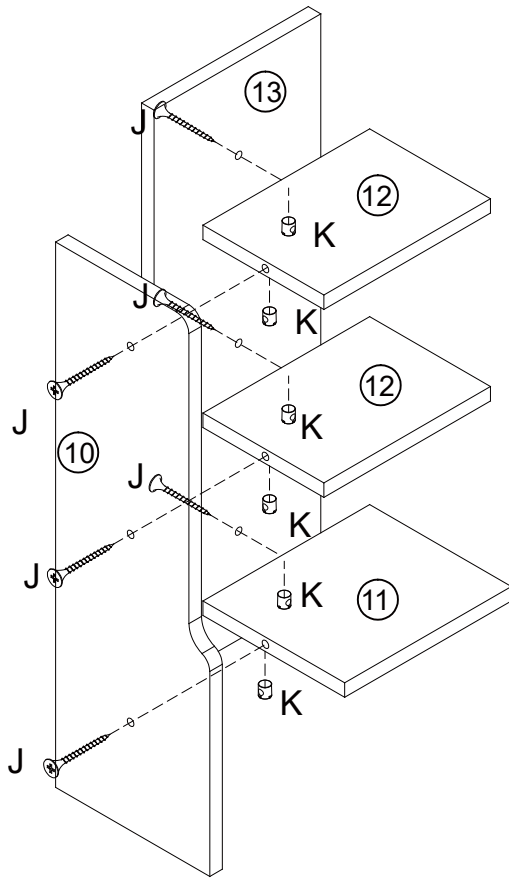
Step 09



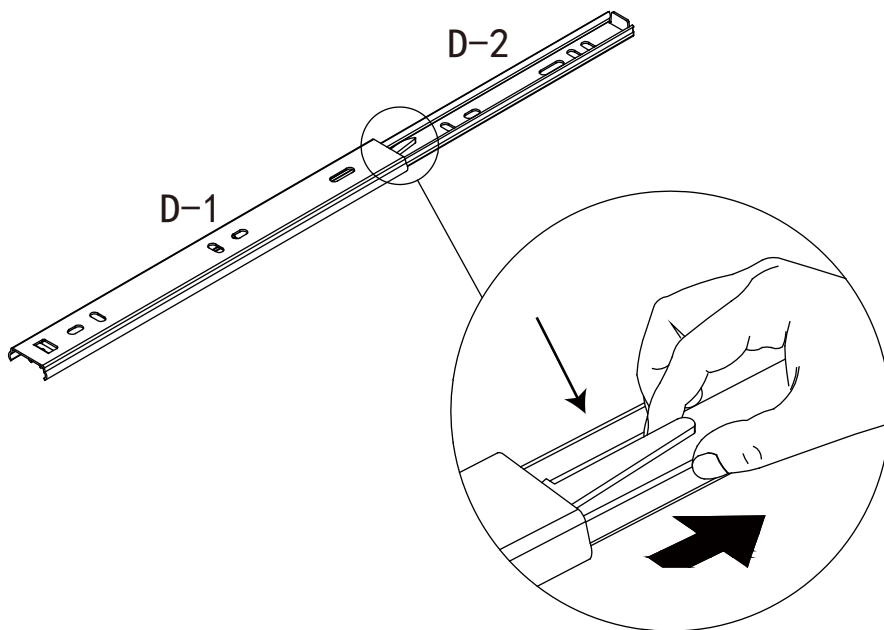
Step 10



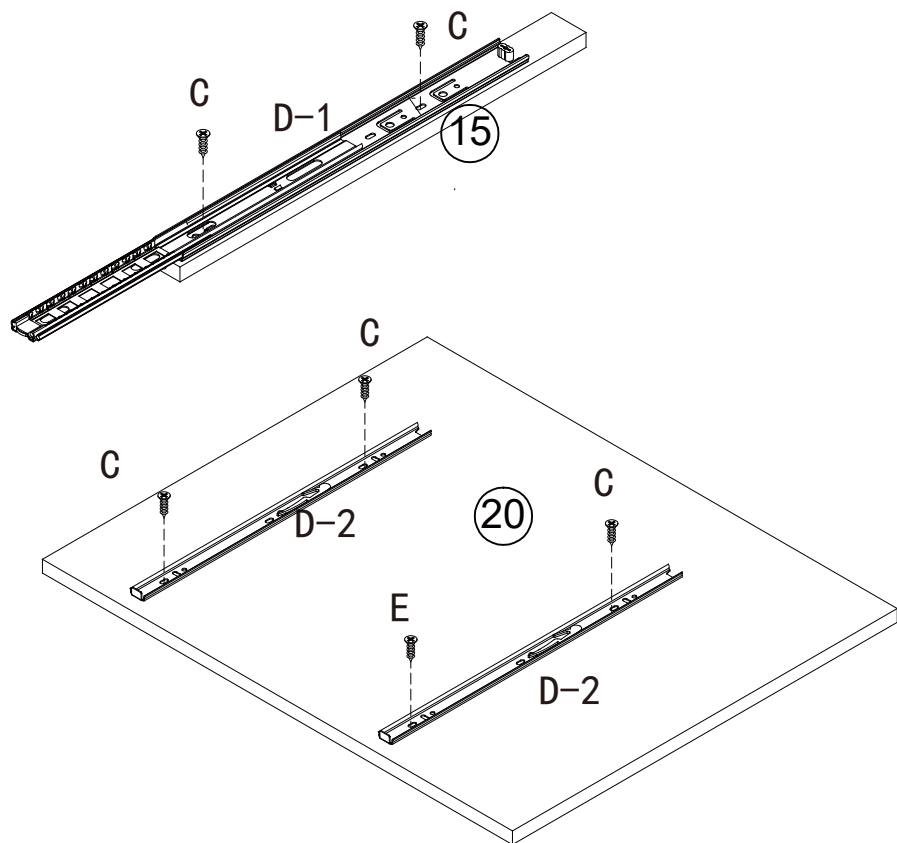
Step 11



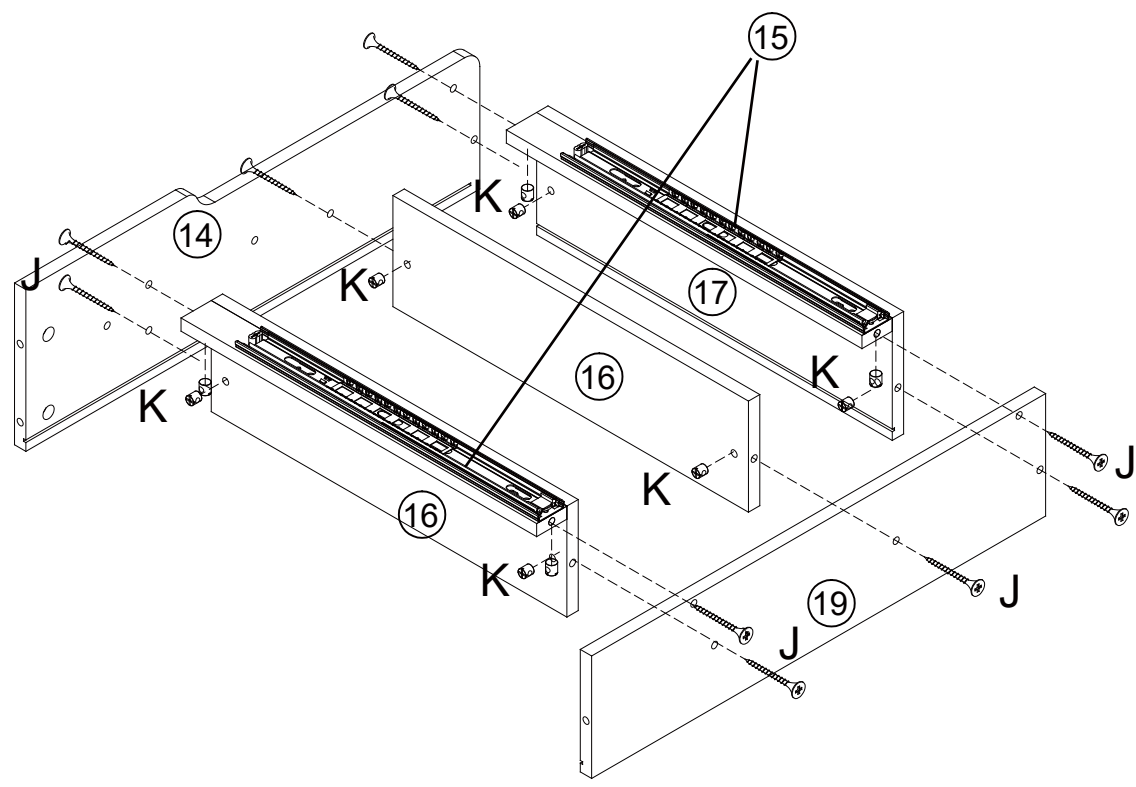
Step 12



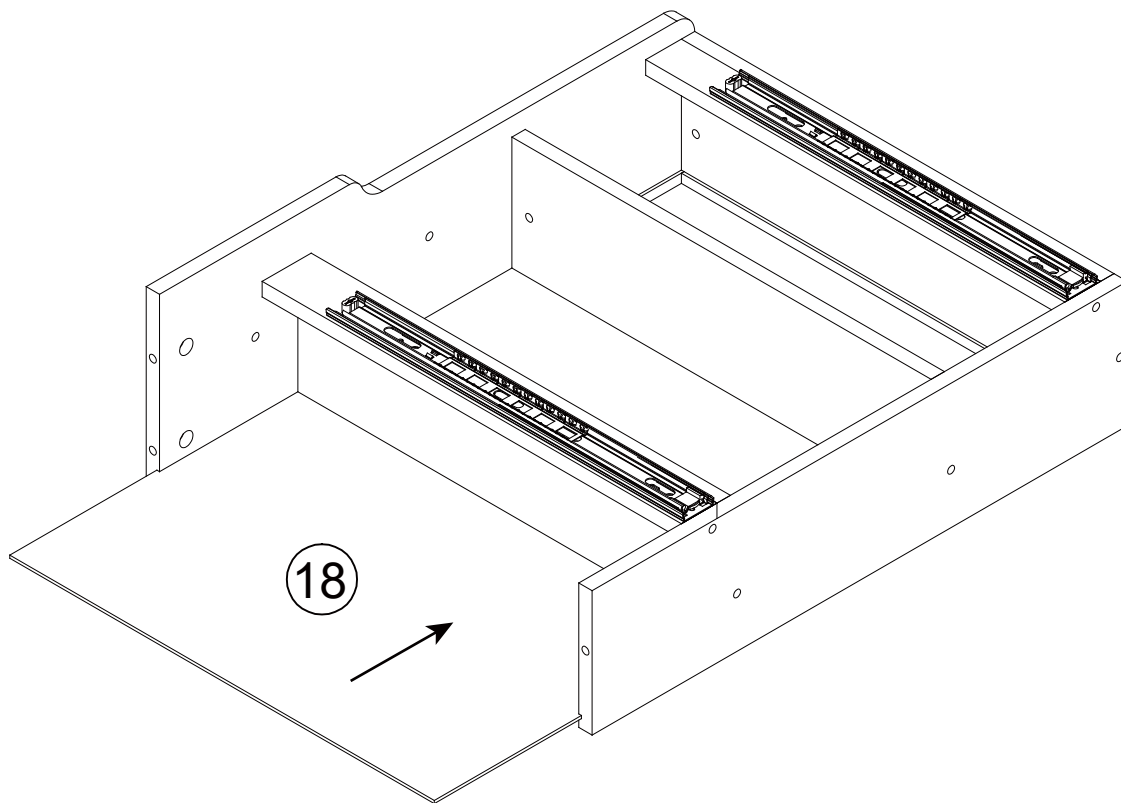
Step 13



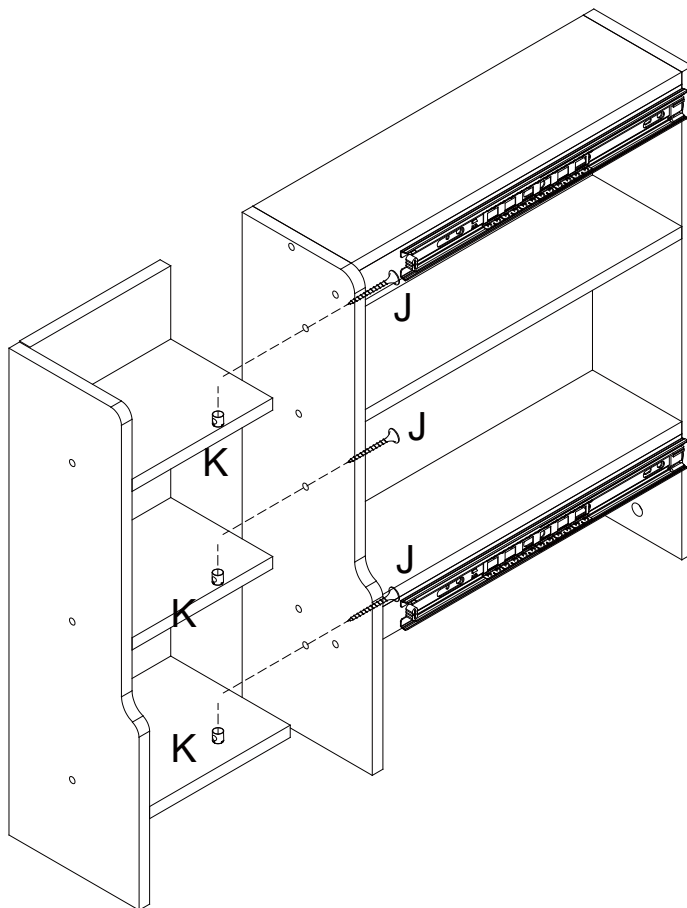
Step 14



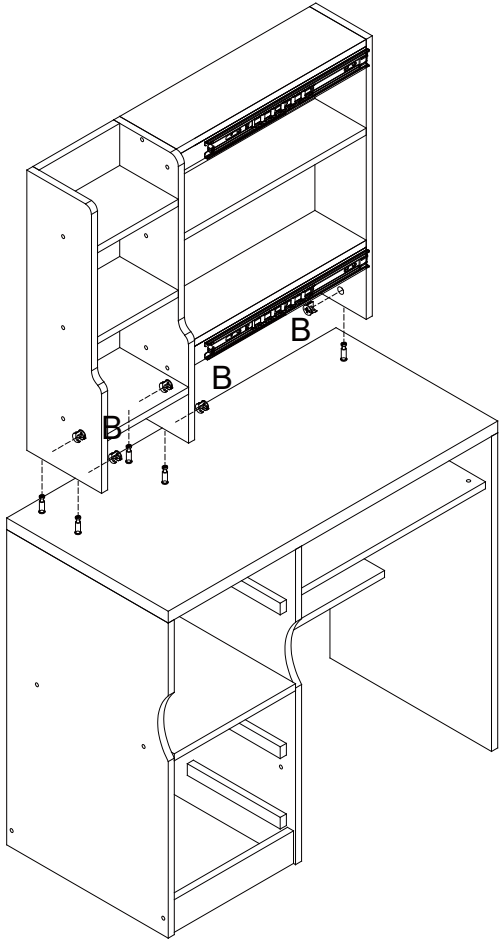
Step 15



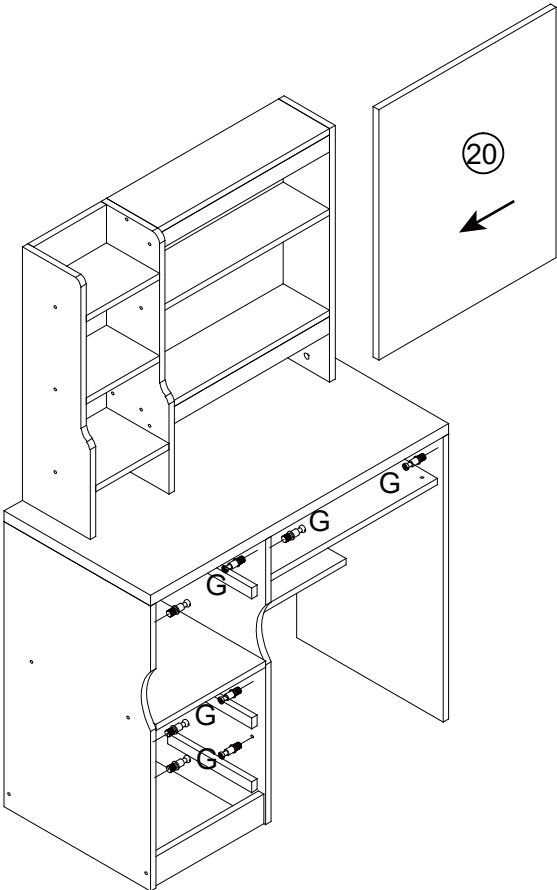
Step 16



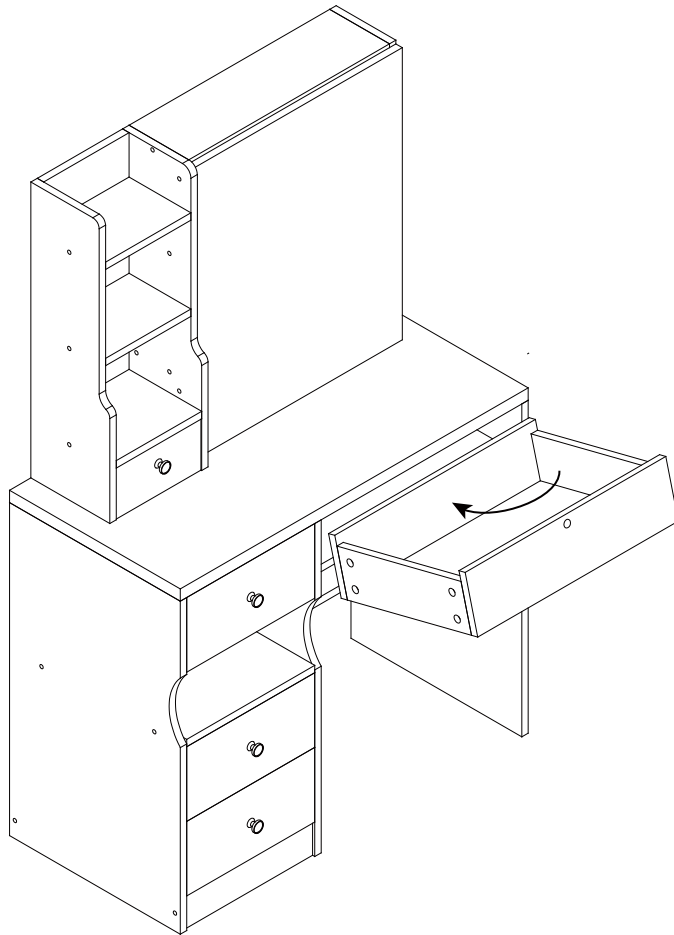
Step 17



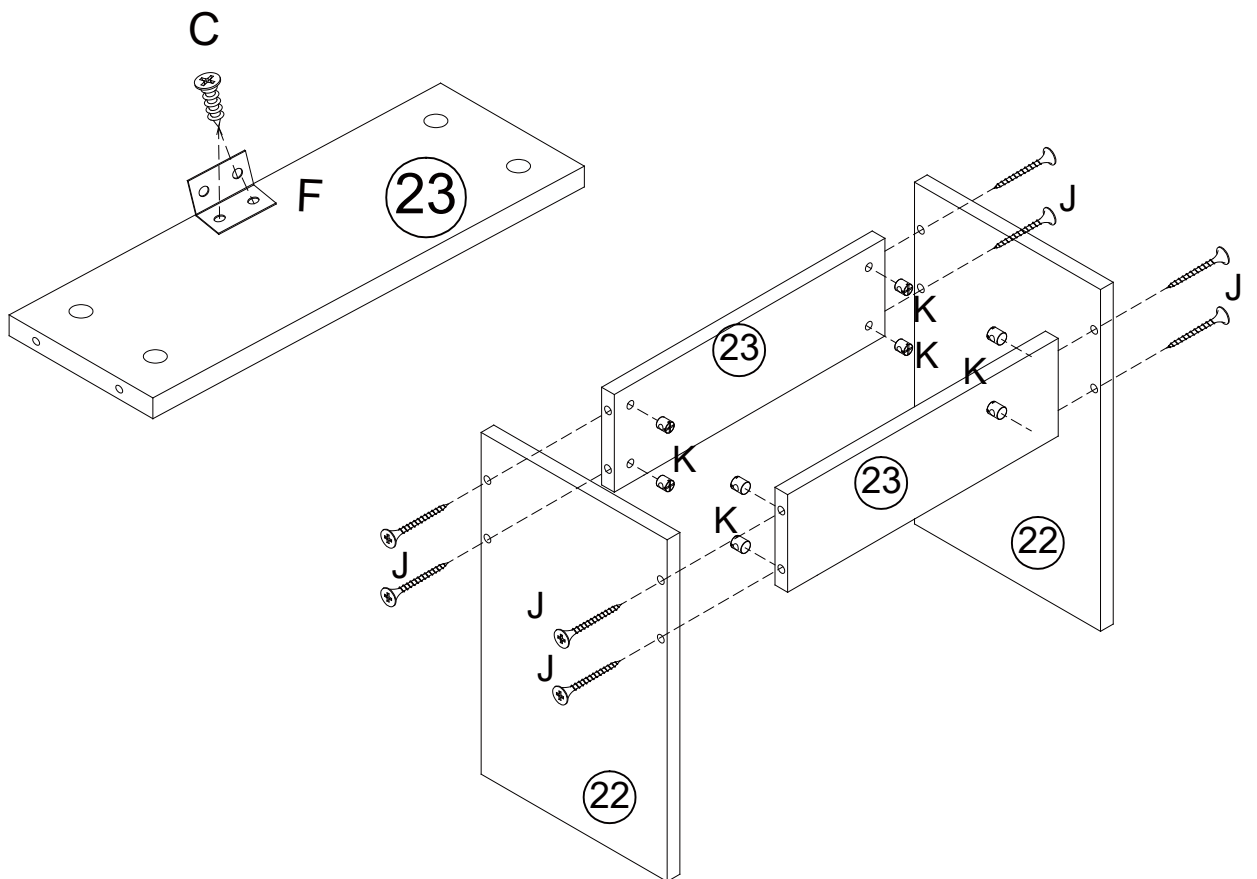
Step 18



Step 19



Step 20



Step 21

