

**Sofa Table**

## **CONTACT US**

**If there are any defective or missing parts after unpacking, please cease to assemble and get in contact with us immediately.**

**Email us at : [timberer@yeah.net](mailto:timberer@yeah.net)**

**or step for reference (amazon.com order only)**

**1. Log into your amazon account**

**2. Go to your order and find the purchase**

**3. Click on "Contact Seller"**

## **Notes:**

● Assemble this item on a soft surface, such as cardboard or carpet, to protect the finish.

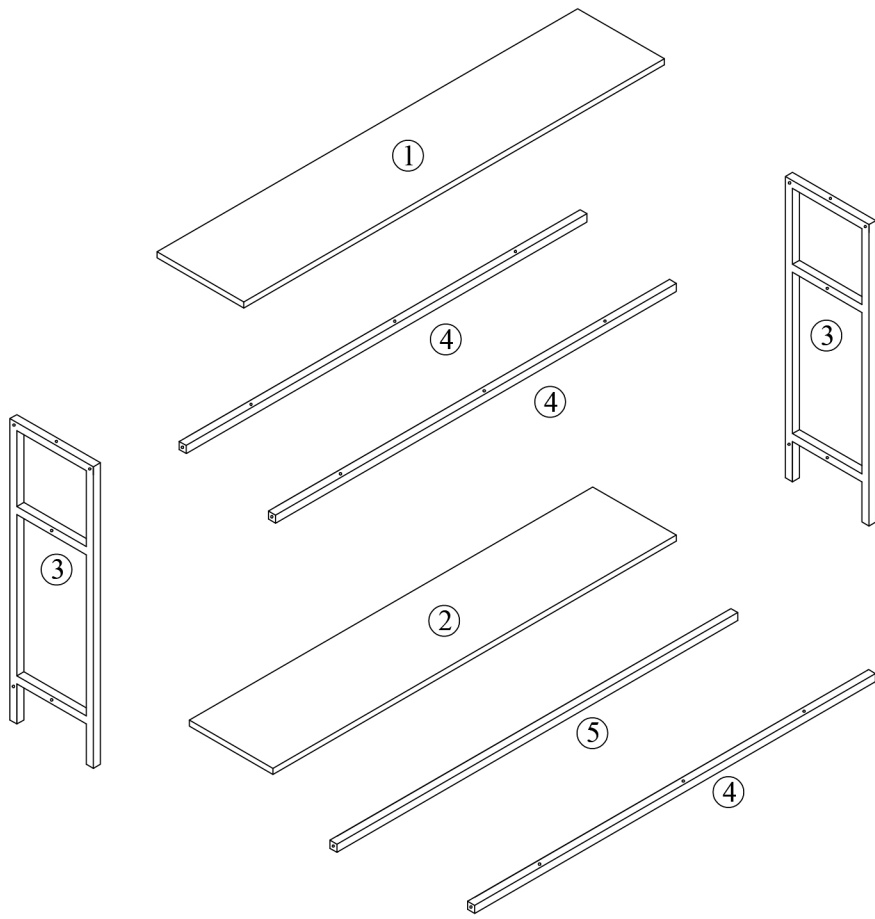
● All panels, metal frames and accessories are labeled with letters or numbers.







● Avoid sharp objects and corrosive chemicals from damaging the item.

● Inspect the screws regularly. Screws may become loose during long-term use. If necessary, retighten them to ensure stability and security.

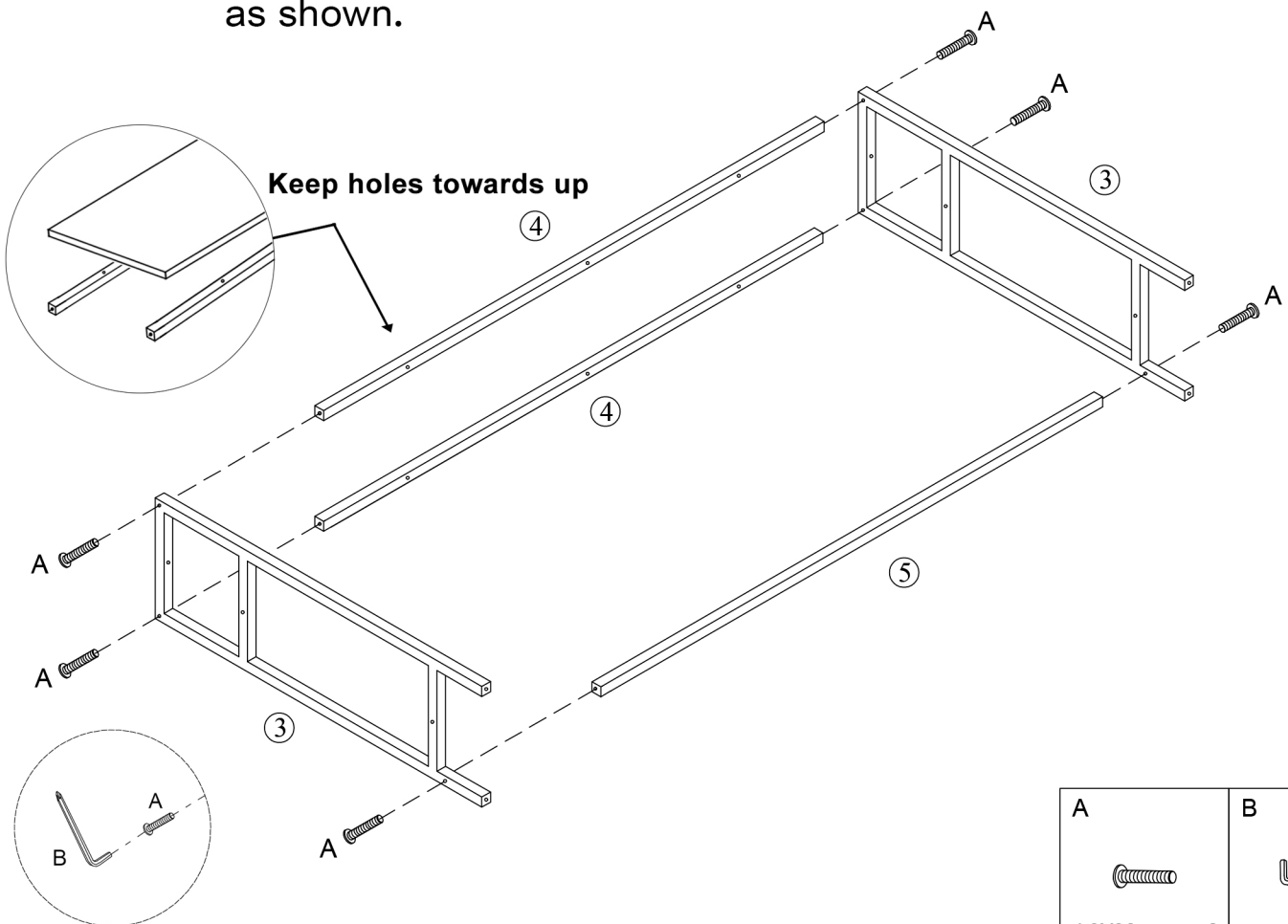
● Proper assembly of this item requires 2 people.

● Do not throw away packaging materials until assembly is complete.

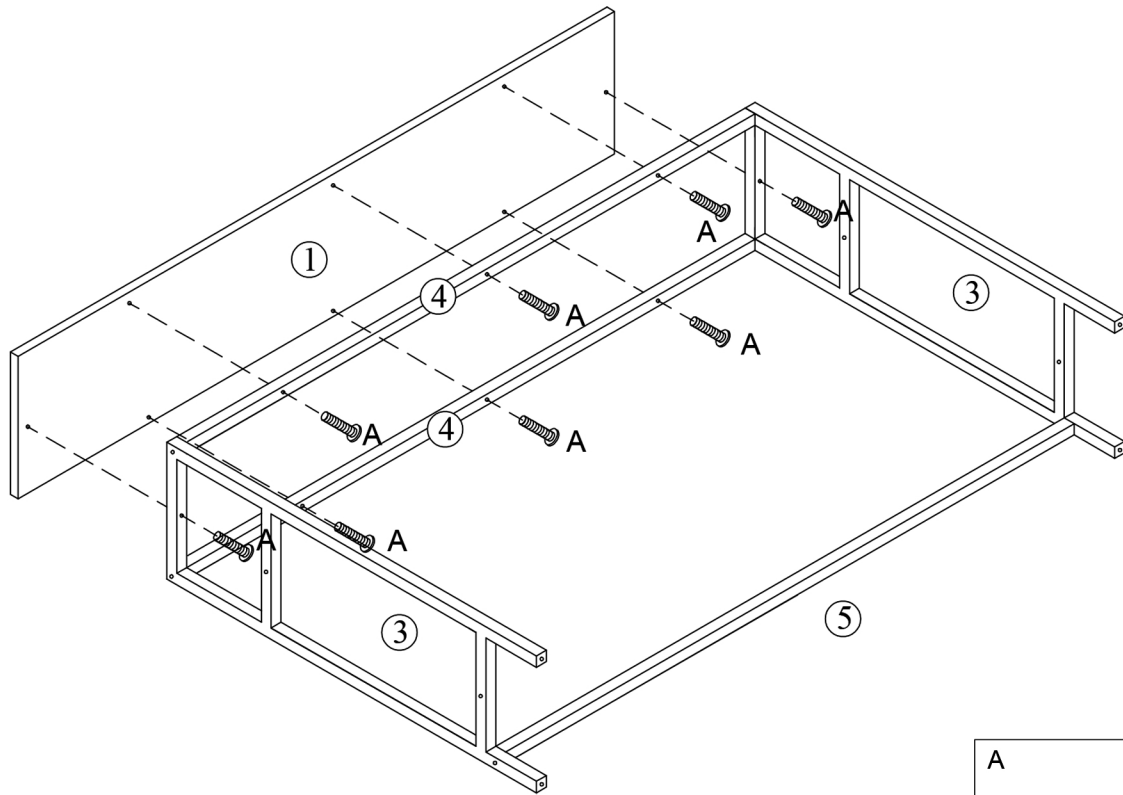




A		M6X30mm	19
B			1
C			2
D		M4X35mm	2
E			2
F			4

**STEP 1** Attach Rods ④ and ⑤ to Side Frame ③ by using Bolts (A) as shown.

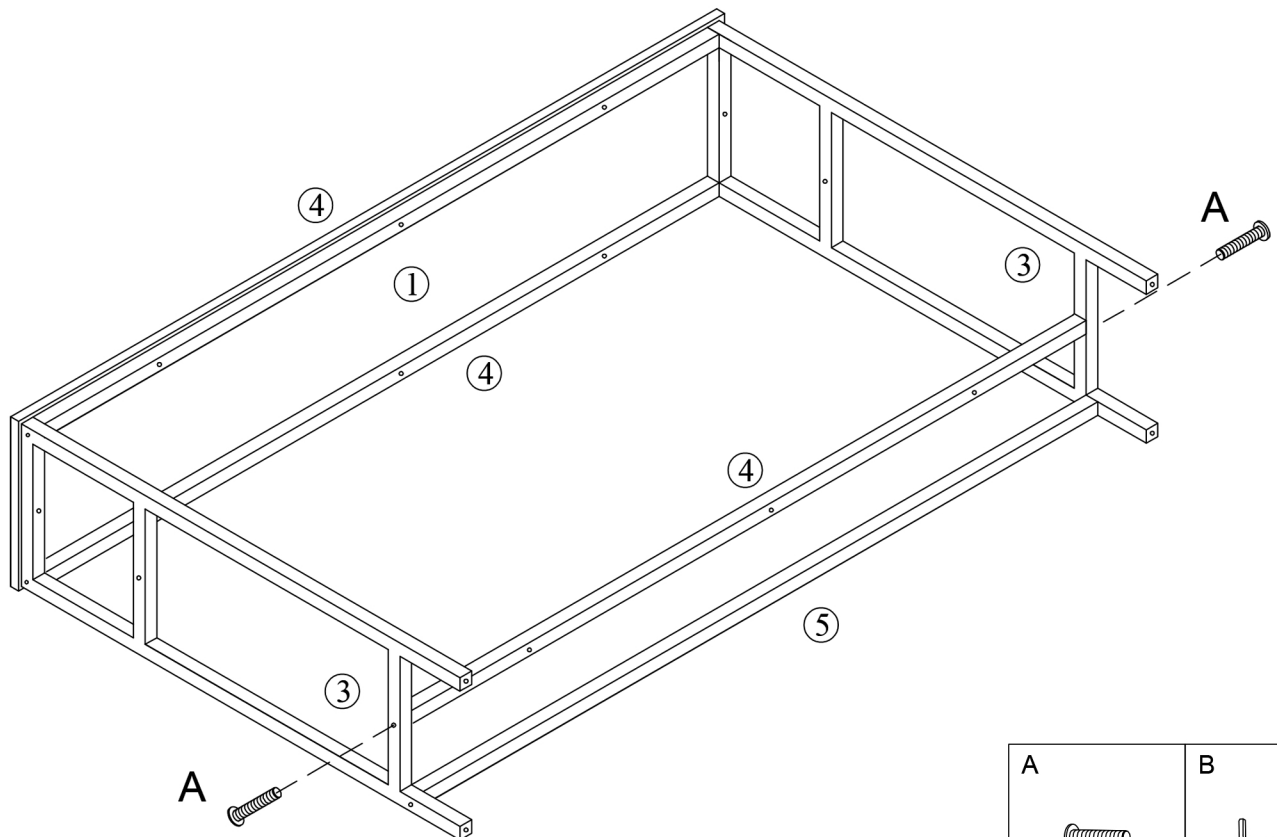




**STEP 2** Fasten top panel ① to metal Frame by using Bolts (A).



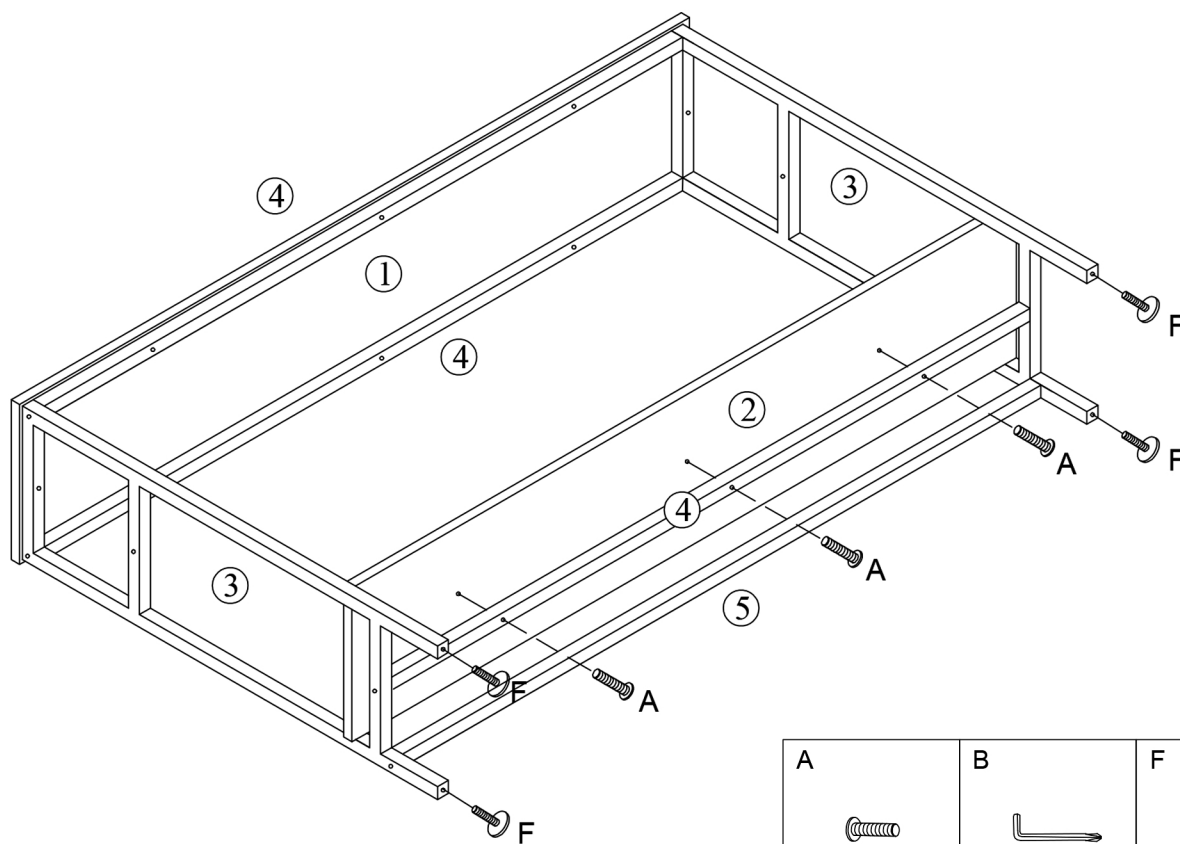
A	B
	
Φ6X30mm x 8	x 1

**STEP 3** Attach Rod ④ to Side Frame ③ by using Bolts (A) as shown.

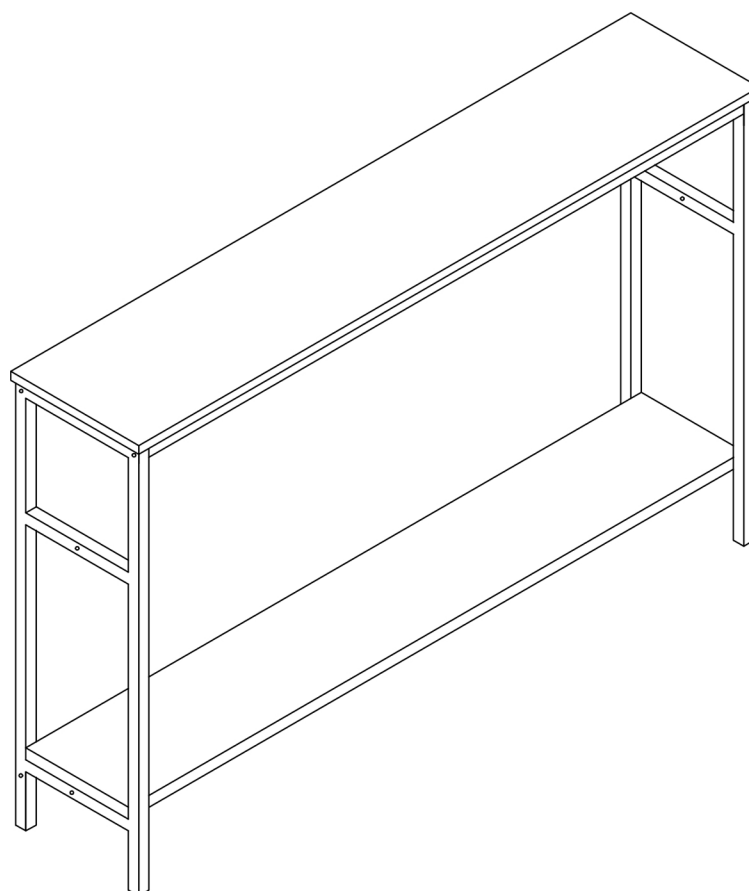


A	B
	
Φ6X30mm x 2	x 1

**STEP 4** Attach Panel ② to Rod ④ by using Bolts (A). Then Screw adjustable feet (F) into the frame.

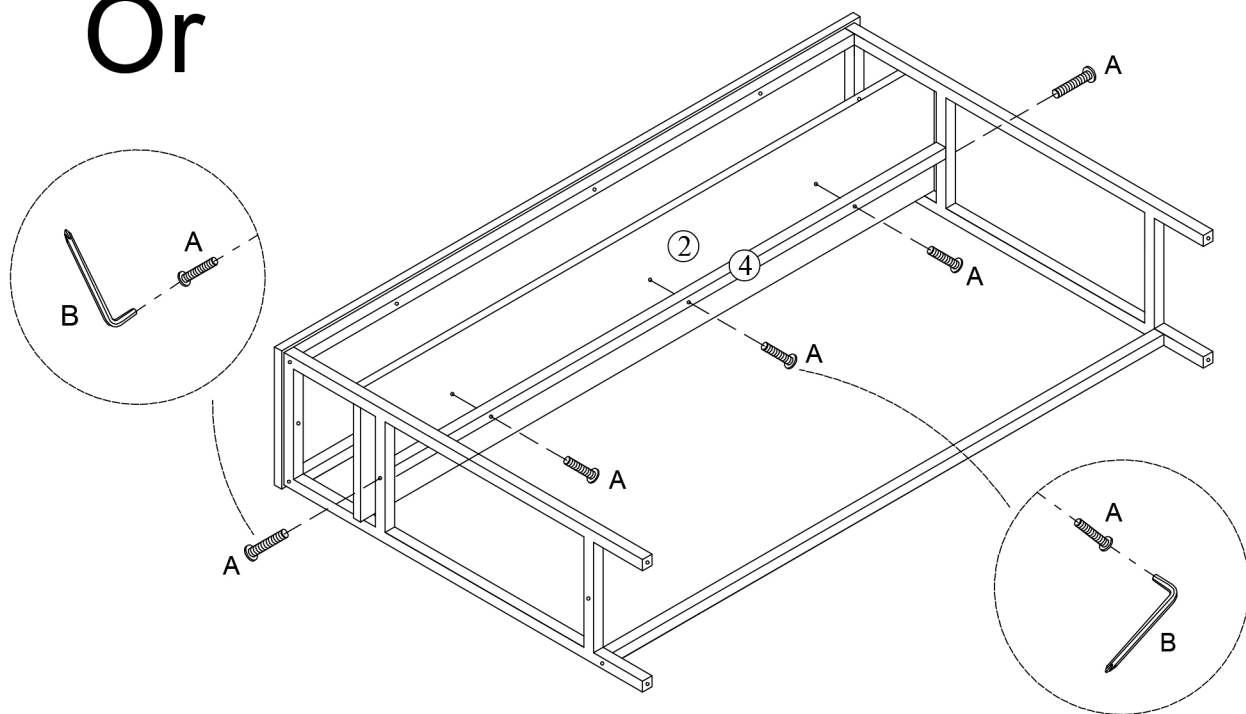


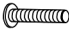

**STEP 5** Sofa table style 1.



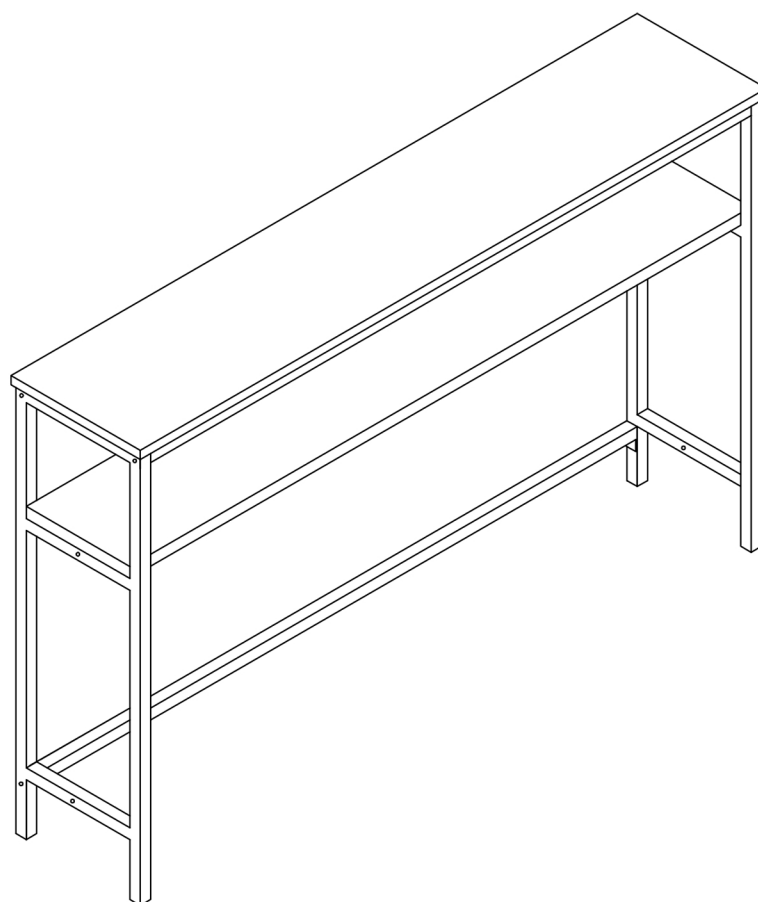
**STEP 6** Attach Panel ② to Rod ④ by using Bolts (A). Then connect Rod ④ to side frame by using Bolts (A).

**Or**



A  Φ6X30mm x 5	B  x 1
--	--

**STEP 7** Sofa table style 2.



# STEP 8 Fix Sofa table to the wall with anti-tip kit (C, D, E).

