

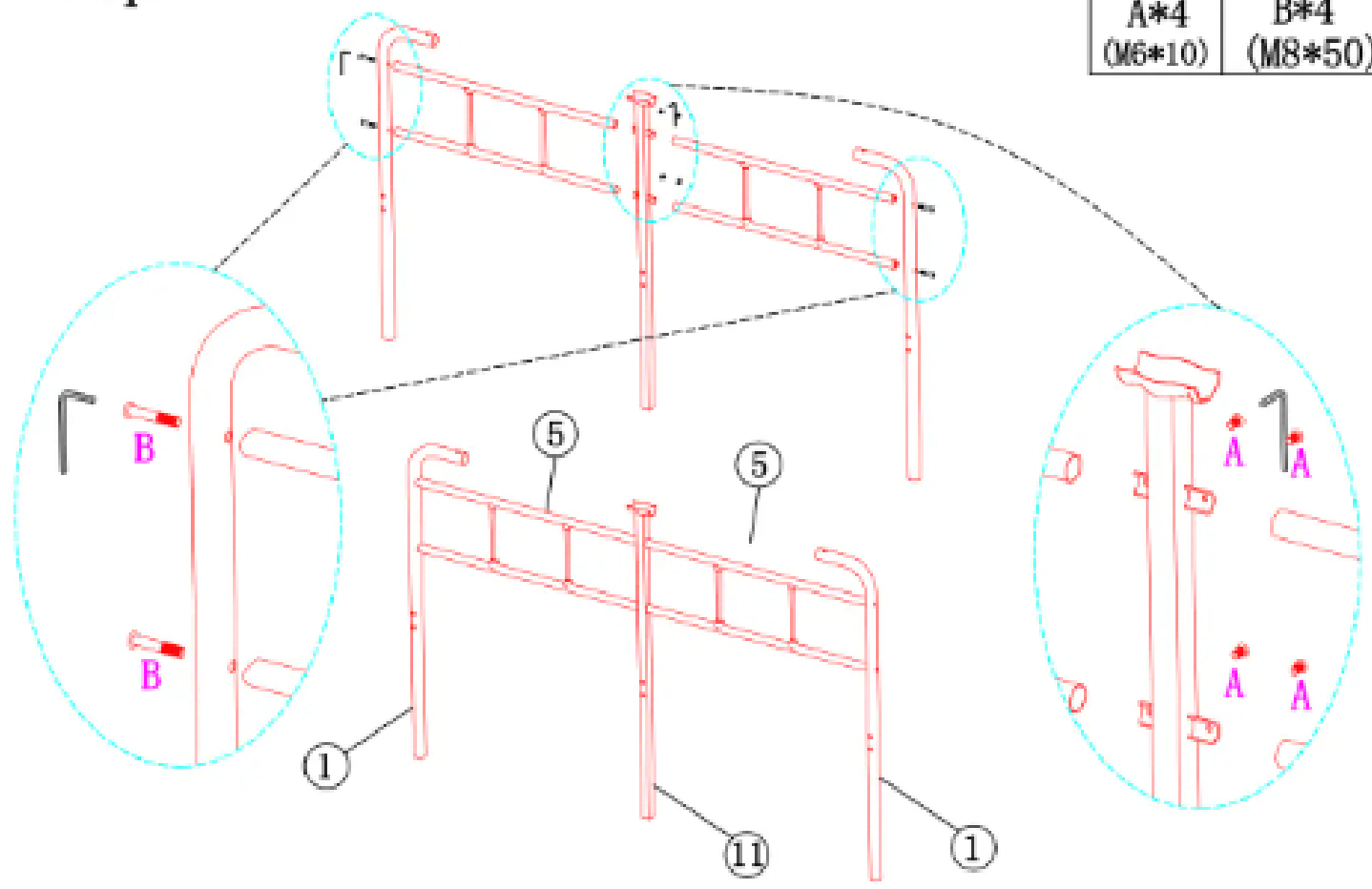



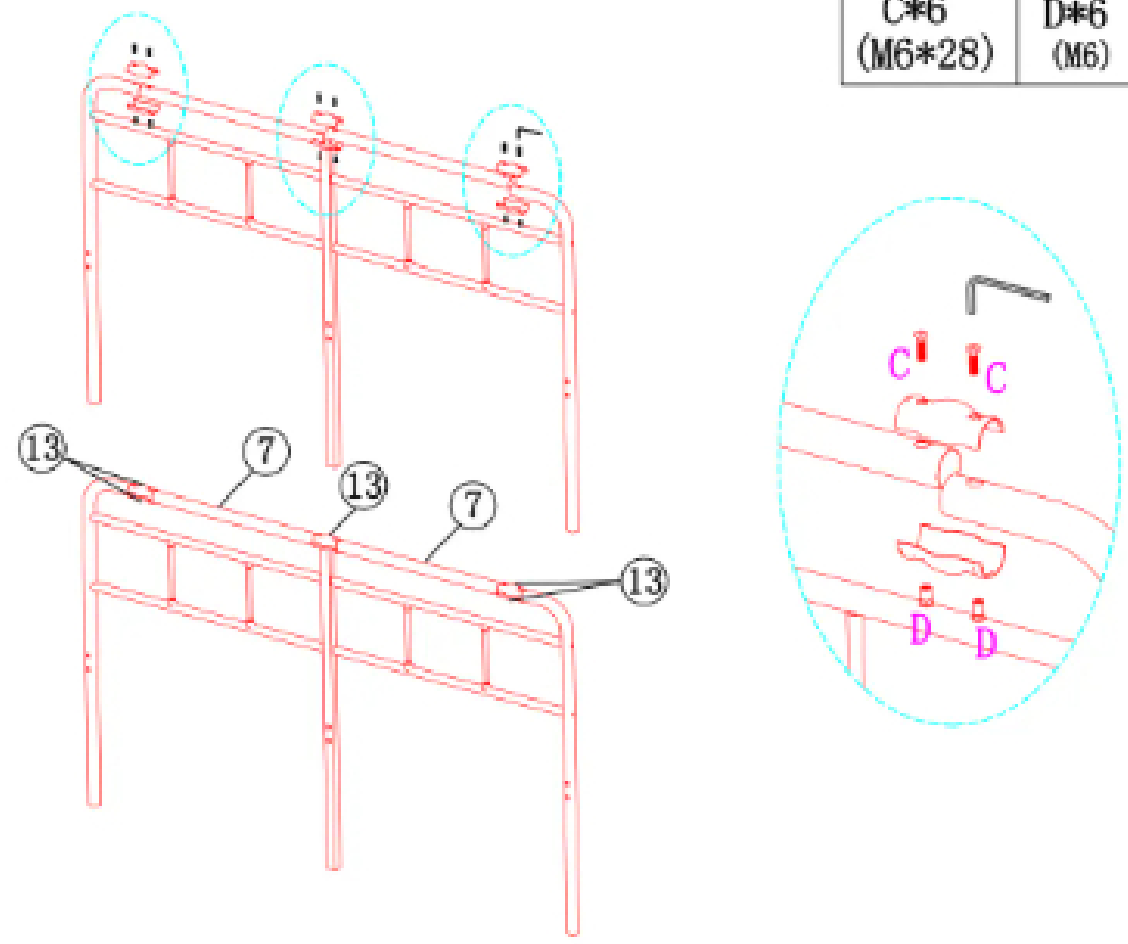
Step1

	
A*4 (M6*10)	B*4 (M8*50)





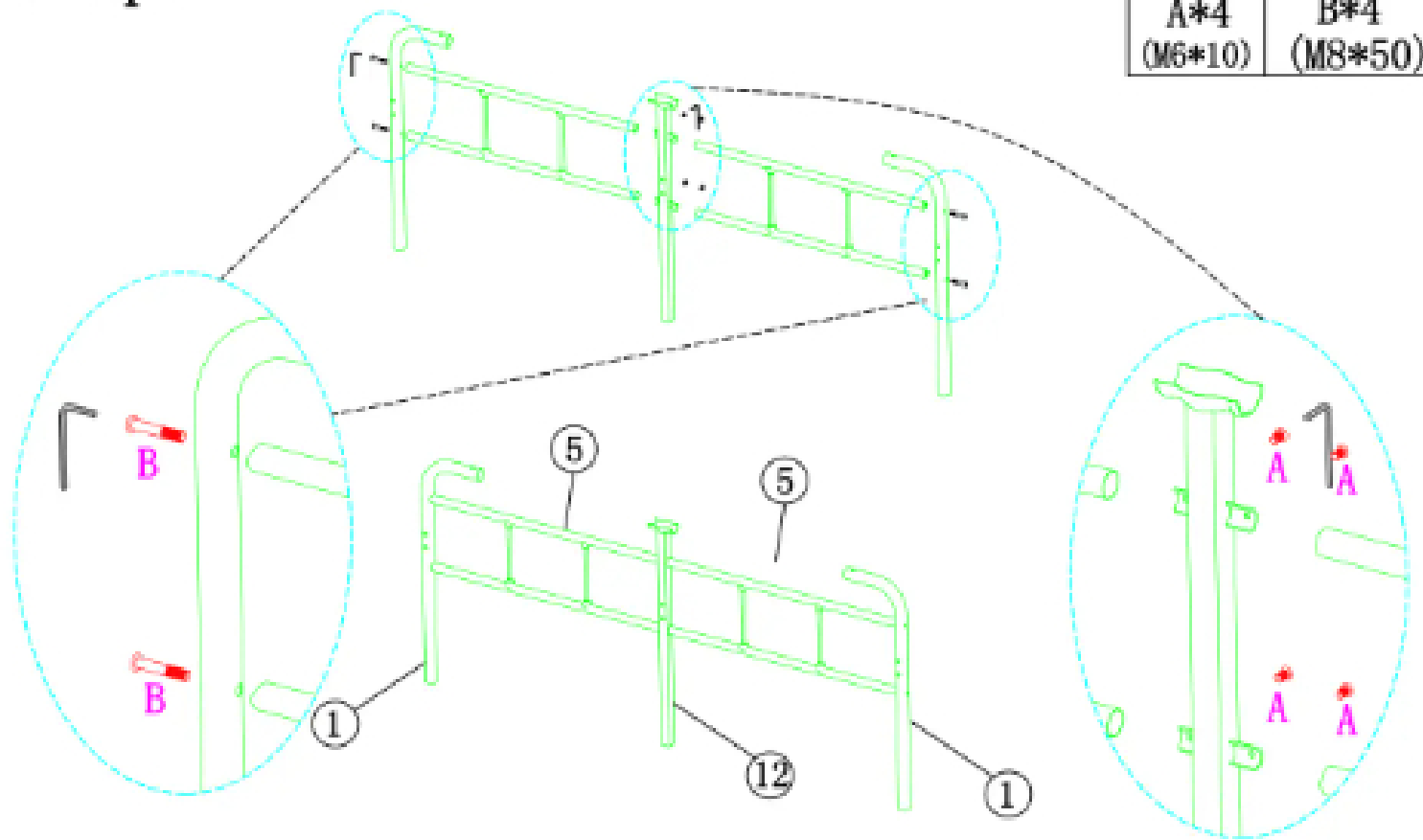
Step2

	
C*6 (M6*28)	D*6 (M6)





Step3

	
A*4 (M6*10)	B*4 (M8*50)

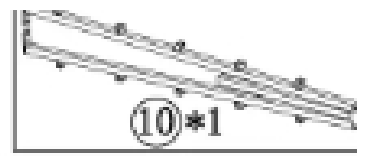


Step4

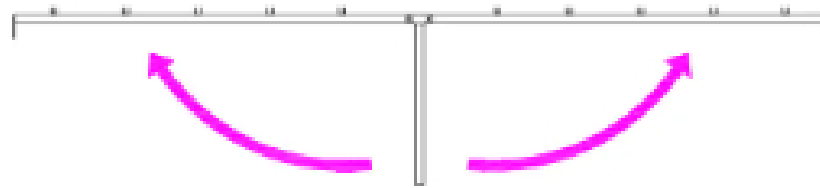
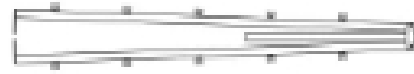
	
C*6 (M6*28)	D*6 (M6)



Step5



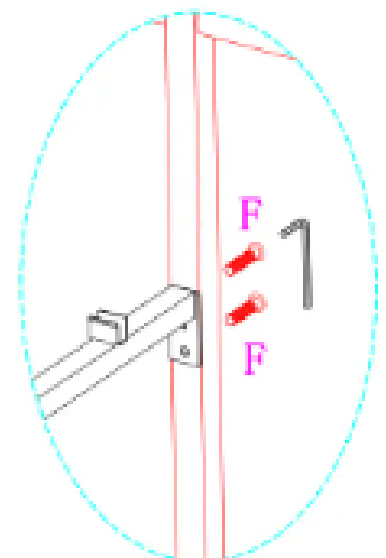
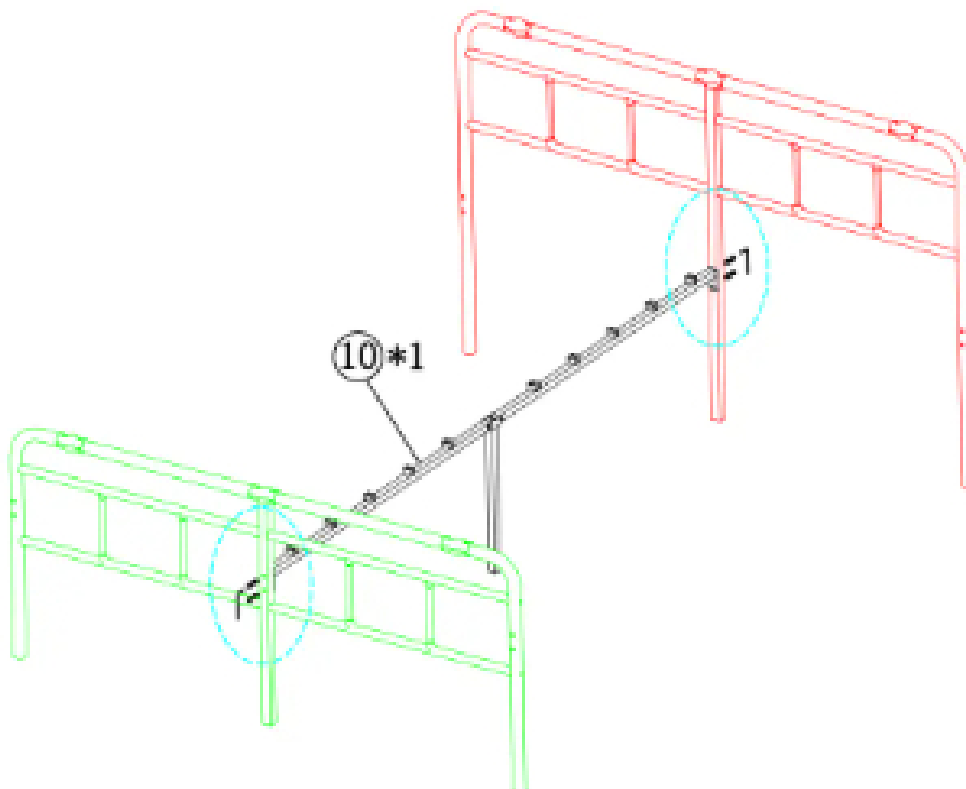
⑩*1



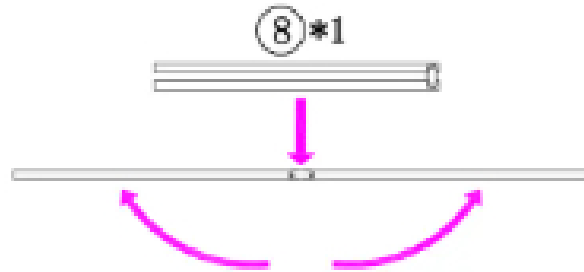
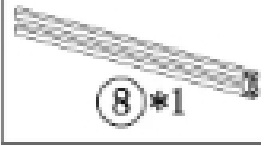
Step6



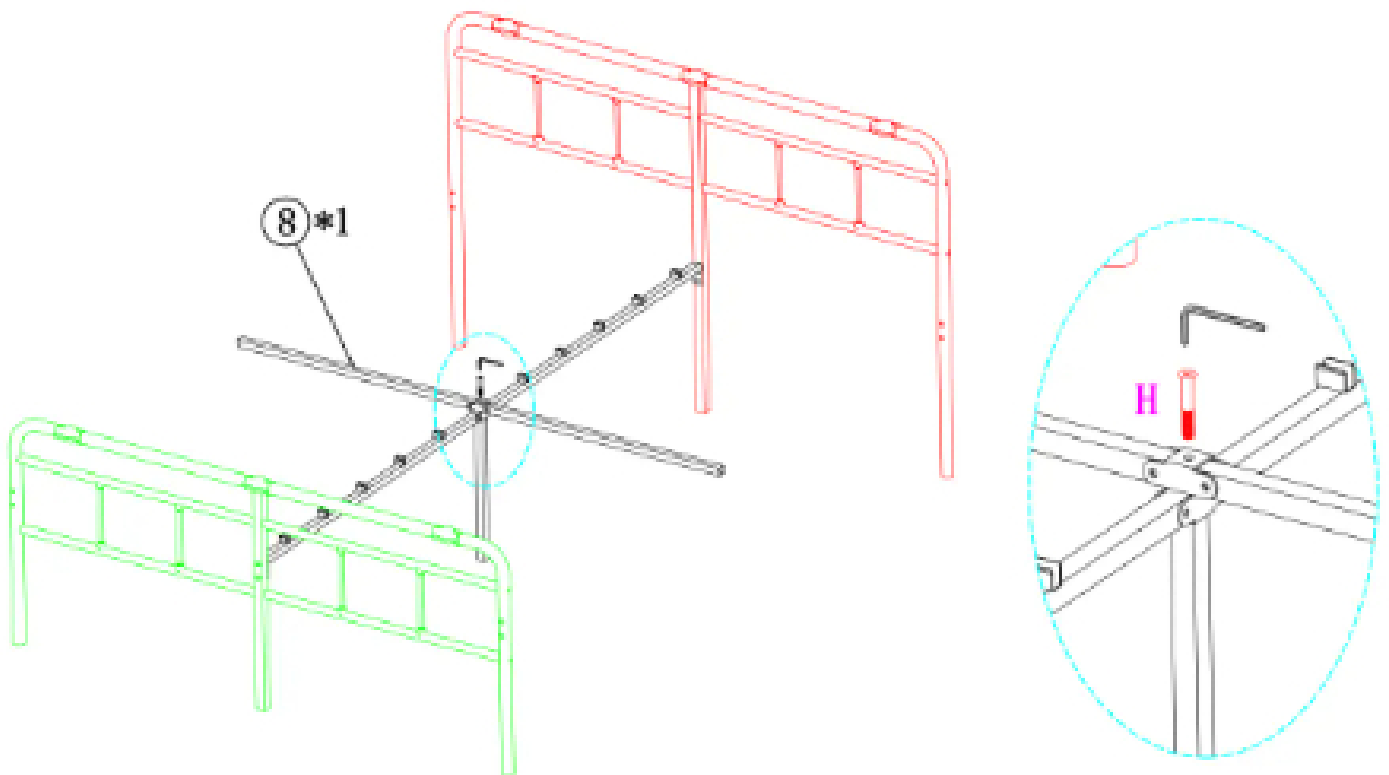
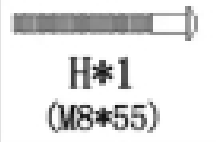
F*4
(M8*35)



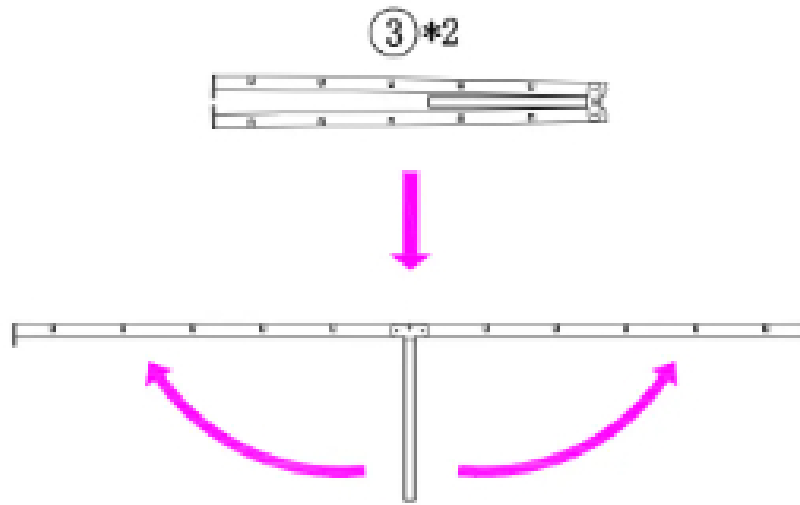
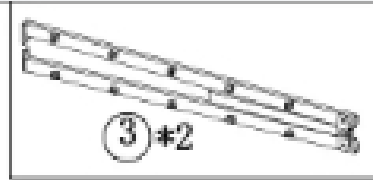
Step7



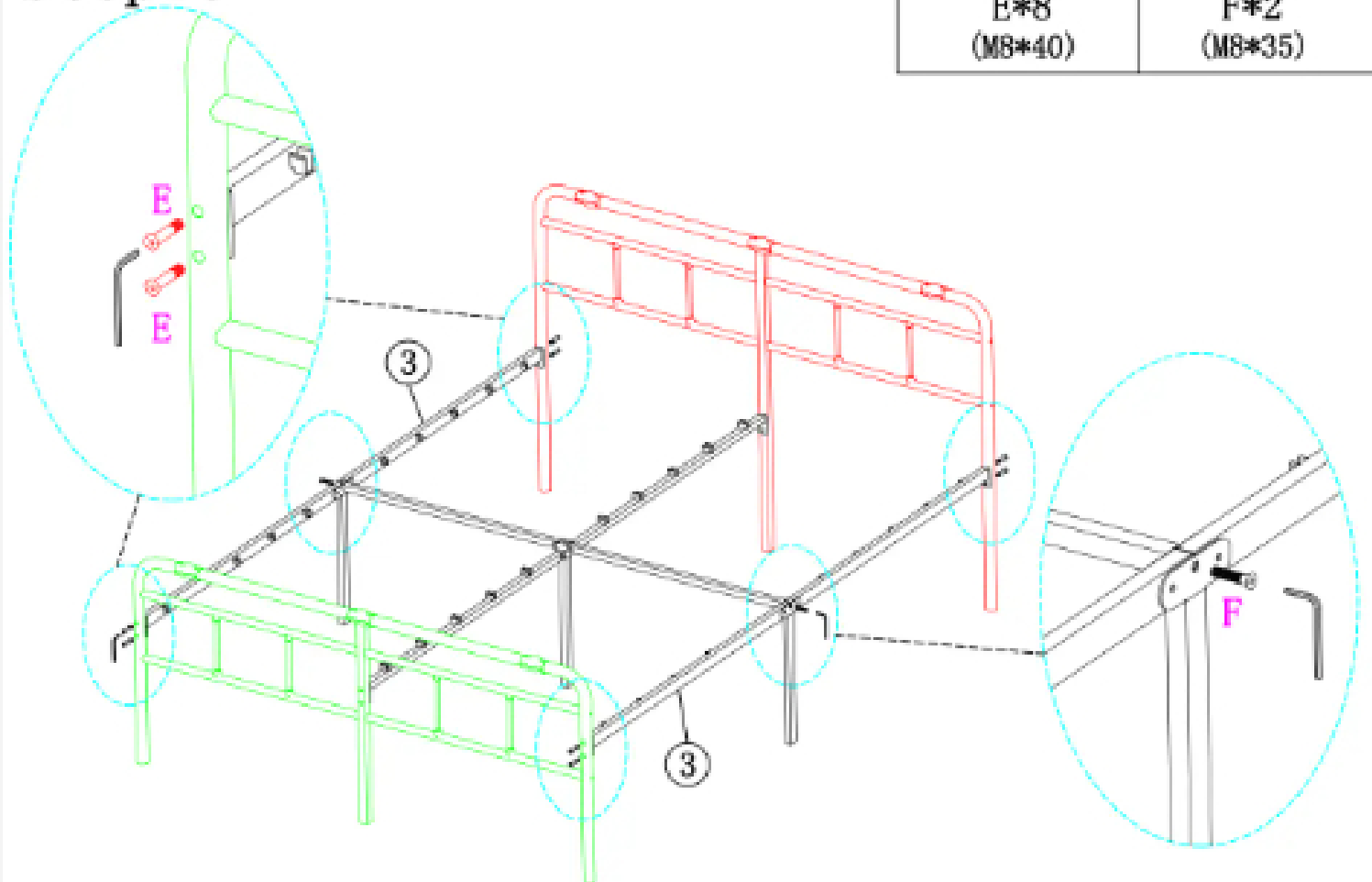
Step8



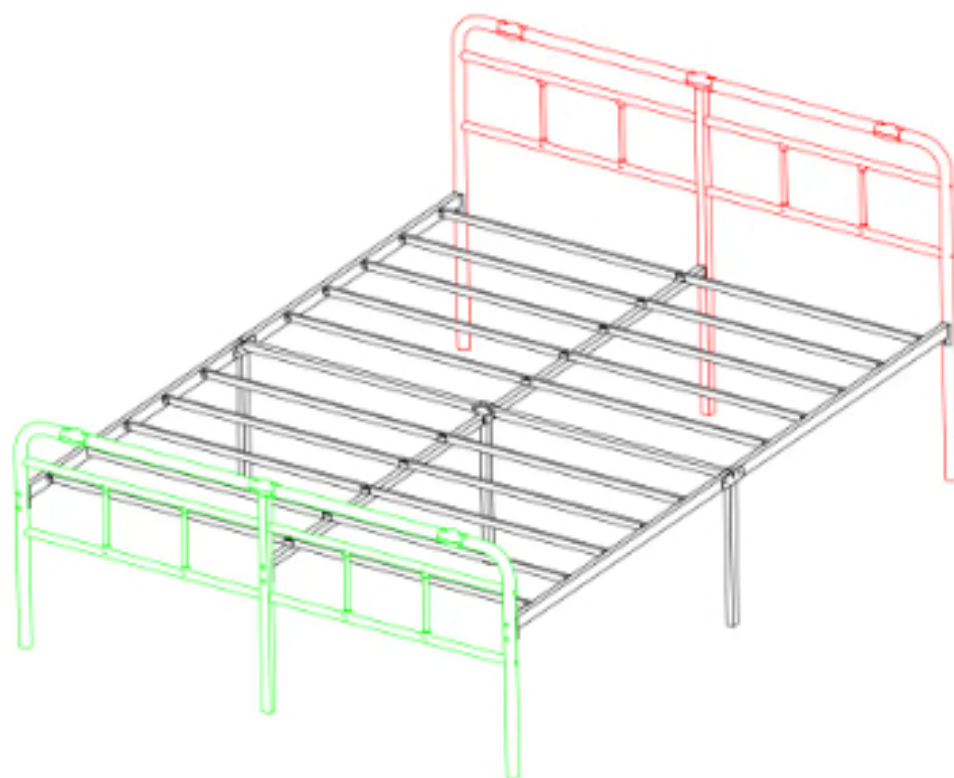
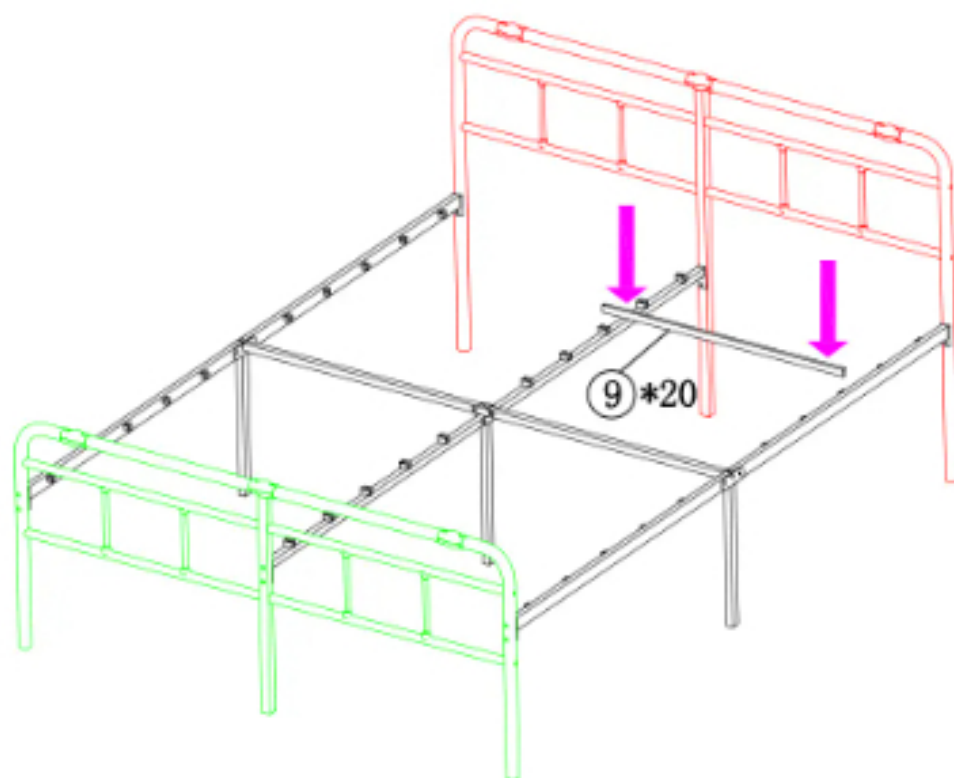
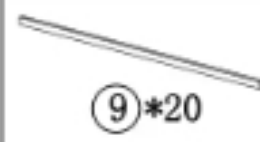
Step9



Step10



Step11



In the last step. please make sure all the screws are tightened.