

# ASSEMBLY INSTRUCTIONS

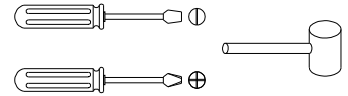
## DRAWER DRESSER

ASSEMBLY  
REQUIREMENTS

2 – Person  
Assembly

2.5 Hour  
Assembly Time  
(Approximate)

Tool Required  
(Not Provided)



### Thank you for purchasing our product!

Please refer and use this assembly instruction to assemble the product.  
Contact our customer service department in case there are any missing or damage parts or hardware.  
Replacement parts are normally shipped within 2 or 3 days.

We appreciate your business!

### ASSEMBLY PREPARATION:

1. Remove all packaging materials ,staples and packing straps from the carton.
2. Refer to Part List and Hardware List and ensure parts and hardware are correct before assembly.  
Contact customer service for missing parts.
3. Place all wooden parts on clean, flat and soft surface (e.g .carpet or rug) to prevent scratch and damage to parts.

### SAFETY PRECAUTION:

1. Keep ALL HARDWARE PART OUT OF REACH OF CHILDREN.
2. DISPOSE PLASTIC PACKAGING MATERIAL IMMEDIATELY TO AVOID ANY RISK OF SUFFOCATION TO CHILDREN AND ANIMALS

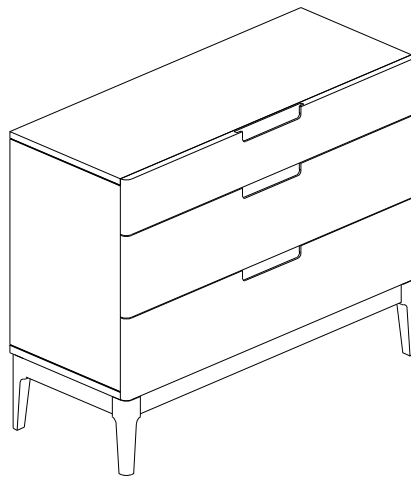
### TIPS FOR ASSEMBLY:

1. Allow ample room for assembly and in close proximity to where product will be placed.
2. Assemble the product on a surface that does not scratch or damage the exterior gloss and finish of the furniture.
3. Identify all the parts, hardware and quantities required for each step.
4. During assembly, do not over-tighten any fittings as this may cause damage.
5. DO NOT USE POWER TOOLS TO ASSEMBLE THIS PRODUCT.
6. Always place the product on a flat, level surface.
7. Do not sit or stand on the partially assembled product ;only use the product for which it is intended.

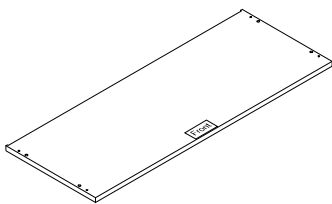
### CARE AND MAINTENANCE:

- Use a slightly damp cloth to clean the product. Do not use bleach or abrasive cleaning material.
- Check all the fittings periodically and re-tighten as necessary. Do not use the product if any of the parts is damaged or broken.
- Never allow any kind of liquids to remain on your furniture. Absorption can cause wood to warp or delaminate.
- Do not place hot items (e.g hot drinks )directly onto the wood surface.
- Do not drag and pull your furniture.

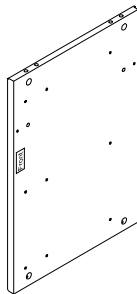
This product is for indoor and household use only –not for commercial or industrial use.



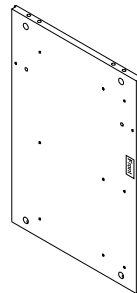
## PARTS LIST



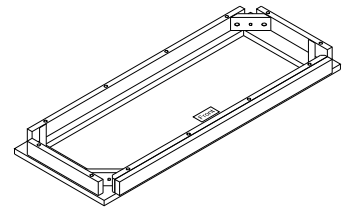
NAME: TOP PANEL  
CODE: 1  
QTY: 1Pc



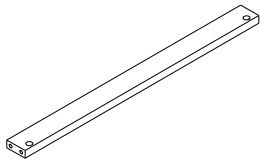
NAME: SIDE PANEL(LEFT)  
CODE: 2  
QTY: 1Pc



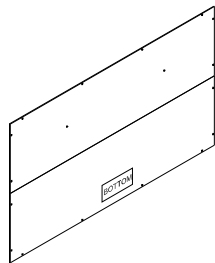
NAME: SIDE PANEL(RIGHT)  
CODE: 3  
QTY: 1Pc



NAME: BOTTOM FRAME  
CODE: 4  
QTY: 1Pc



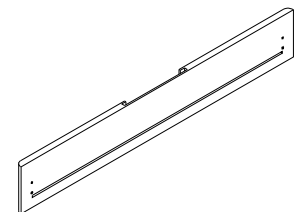
NAME: CENTER BAR  
CODE: 5  
QTY: 2Pcs



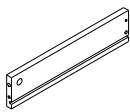
NAME: BACK PLY  
CODE: 6  
QTY: 1Pc



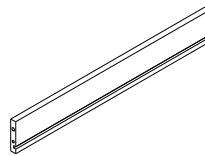
NAME: POST  
CODE: 7  
QTY: 4Pcs



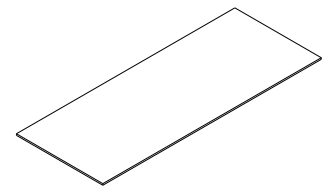
NAME: SMALL DRAWER FRONT  
CODE: 101  
QTY: 1Pc



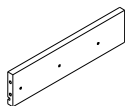
NAME: SMALL DRAWER SIDE(LEFT)  
CODE: 102  
QTY: 1Pc



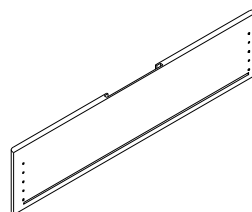
NAME: SMALL DRAWER BACK  
CODE: 103  
QTY: 1Pc



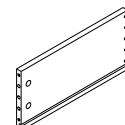
NAME: DRAWER BASE  
CODE: 104  
QTY: 3Pcs



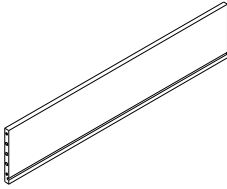
NAME: SMALL DRAWER SIDE(RIGHT)  
CODE: 105  
QTY: 1Pc



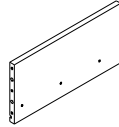
NAME: BIG DRAWER FRONT  
CODE: 106  
QTY: 1Pc



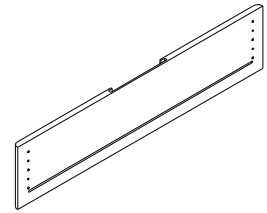
NAME: BIG DRAWER SIDE(LEFT)  
CODE: 107  
QTY: 2Pcs



NAME: BIG DRAWER BACK  
 CODE: 108  
 QTY: 2Pcs



NAME: BIG DRAWER SIDE(RIGHT)  
 CODE: 109  
 QTY: 2Pcs

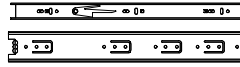


NAME: BIG DRAWER FRONT  
 CODE: 110  
 QTY: 1Pc

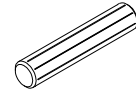
## HARDWARE



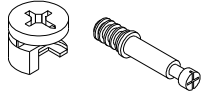
NAME: CHIPBOARD SCREW M3X16mm  
 CODE: A  
 QTY: 36Pcs



NAME: EXTENSION RUNNER 350mm  
 CODE: B  
 QTY: 3Sets



NAME: WOOD DOWEL M8X35mm  
 CODE: C  
 QTY: 12Pcs



NAME: CAM LOCK & CAM BOLT  
 CODE: D  
 QTY: 32Sets



NAME: WOOD DOWEL M6X30mm  
 CODE: E  
 QTY: 28Pcs



NAME: CAM LOCK COVER  
 CODE: F  
 QTY: 32Pcs



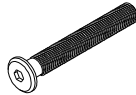
NAME: PANHEAD CHIPBOARD SCREW M4X16mm(BLACK)  
 CODE: G  
 QTY: 18Pcs



NAME: FLAT WASHER M6  
 CODE: H  
 QTY: 4Pcs



NAME: SPRING WASHER M6  
 CODE: I  
 QTY: 4Pcs



NAME: JCBC M6x60mm  
 CODE: J  
 QTY: 4Pcs



NAME: ALLEN KEY M4  
 CODE: K  
 QTY: 1Pc



NAME: CHIPBOARD SCREW M4X25mm  
 CODE: W  
 QTY: 4Pcs



NAME: FLAT WASHER M4  
 CODE: X  
 QTY: 2Pcs



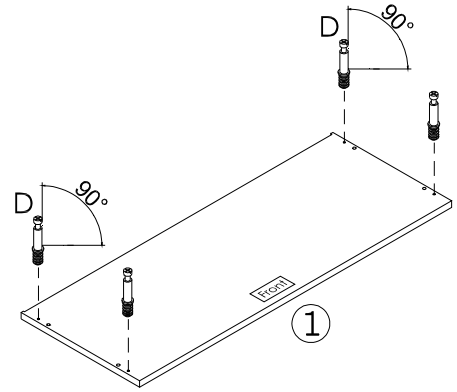
NAME: SCREW PLUG  
 CODE: Y  
 QTY: 2Pcs



NAME: SAFETY BELT (150mm)  
 CODE: Z  
 QTY: 2Pcs

STEP 1

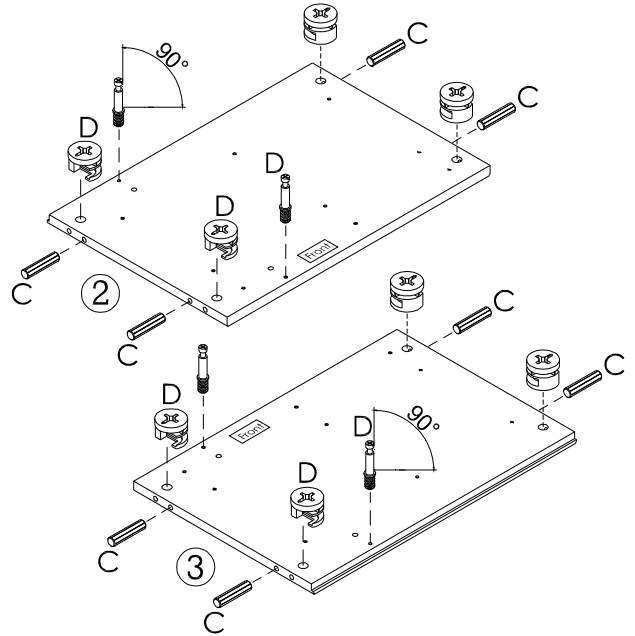
- A) Insert and secure Cam Bolt(D) to Top Panel(1)



STEP 2

- A) Attach Wood Dowel(C) to Left,Right Side Panel(2,3)  
B) Attach Cam Lock(D) to Left,Right Side Panel(2,3)  
C) Attach Cam Bolt(D) to Left,Right Side Panel(2,3)

NOTE : Make sure arrows on each Cam Lock points towards nearest edge with holes

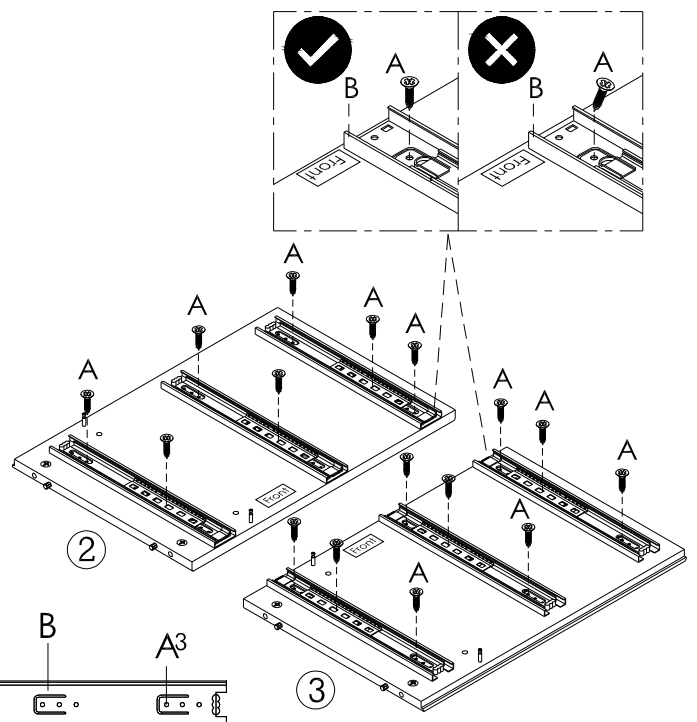


STEP 3

- A) Attach Extension Runner(B) to Left,Right Side Panel(2,3) using Chipboard Screw(A) to secure

NOTE : Chipboard Screw(A) should be assembled from the front of the runner in the order of A<sup>1</sup>, A<sup>2</sup> then A<sup>3</sup>

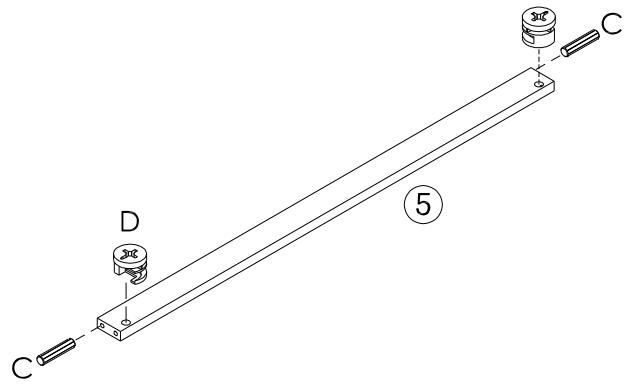
NOTE : Make sure the screws are installed vertically without slant to ensure screw sits properly in the hole



**STEP 4**

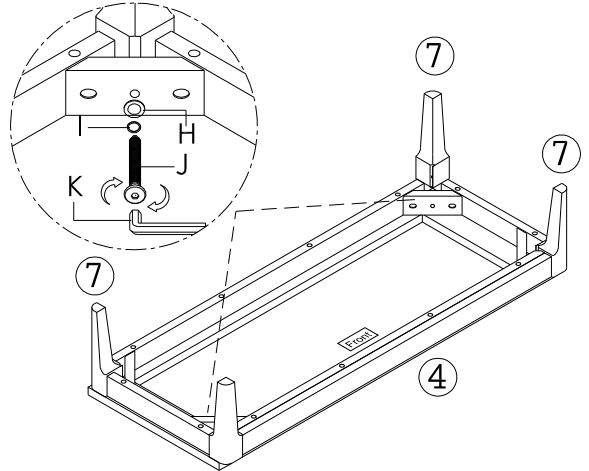
- A) Insert Wood Dowel(C) to Center Bar(5)
- B) Attach Cam Lock(D) to Center Bar(5)

NOTE : Make sure arrows on each Cam Lock points towards nearest edge with holes



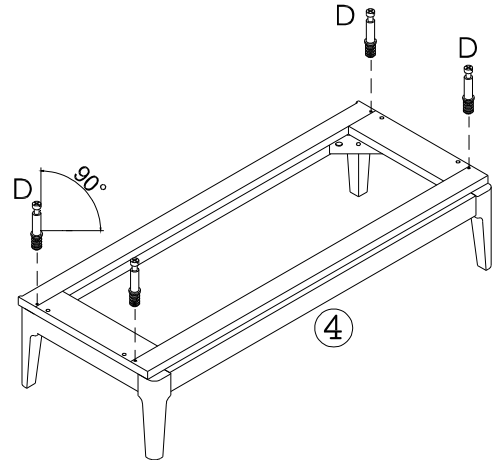
**STEP 5**

- A) Attach Post(7) to Bottom Frame(4) and secure with JCBC Screw(J), Spring Washer(I) & Flat Washer(H) tighten with Allen Key(K) clockwise



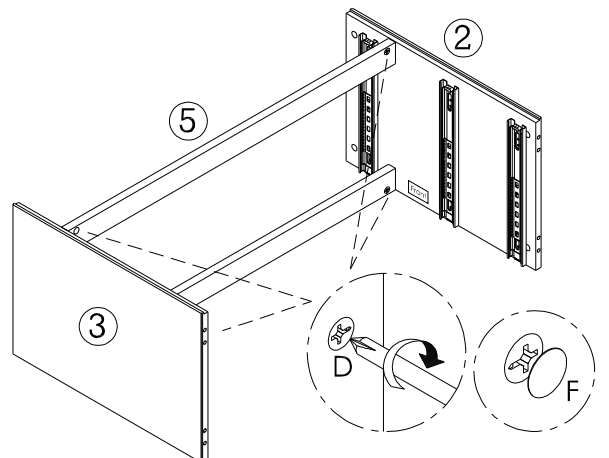
**STEP 6**

- A) Insert and secure Cam Bolt(D) to Bottom Frame(4)



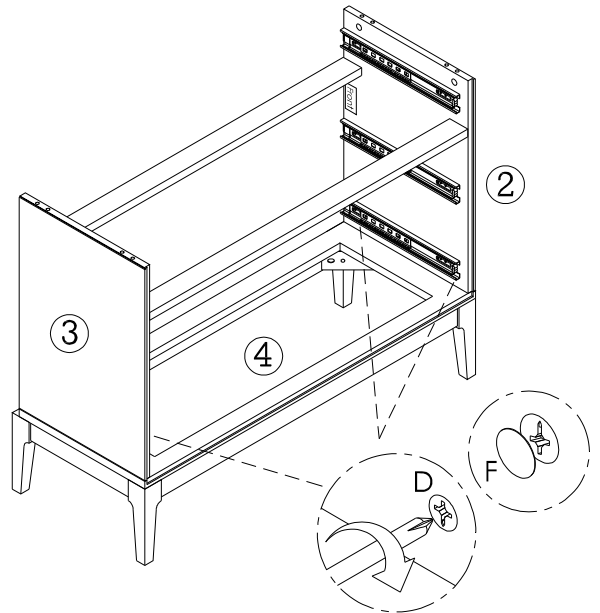
**STEP 7**

- A) Attach Center Bar(5) to Left,Right Side Panel(2,3) and secure with Cam Lock(D)
- B) Cover Cam Lock with Cam Lock Cover(F)



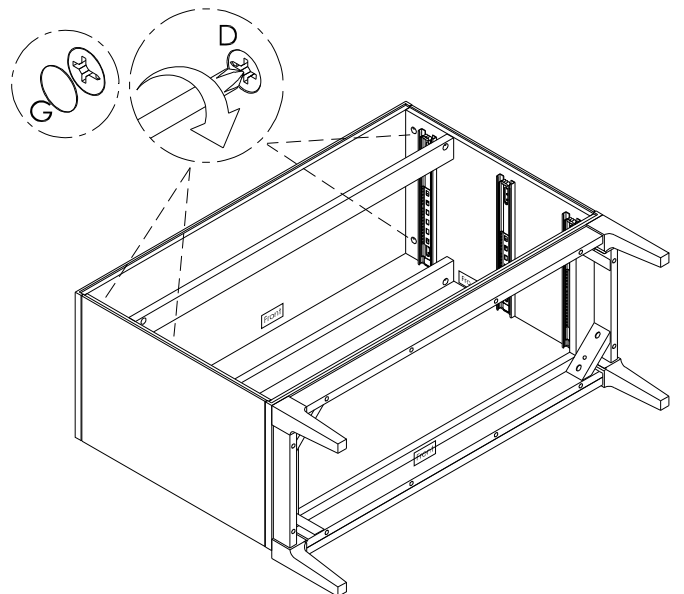
STEP 8

- A) Attach Left,Right Side Panel(2,3) to Bottom Frame(4) and secure with Cam Lock(D)
- B) Cover Cam Lock with Cam Lock Cover(F)



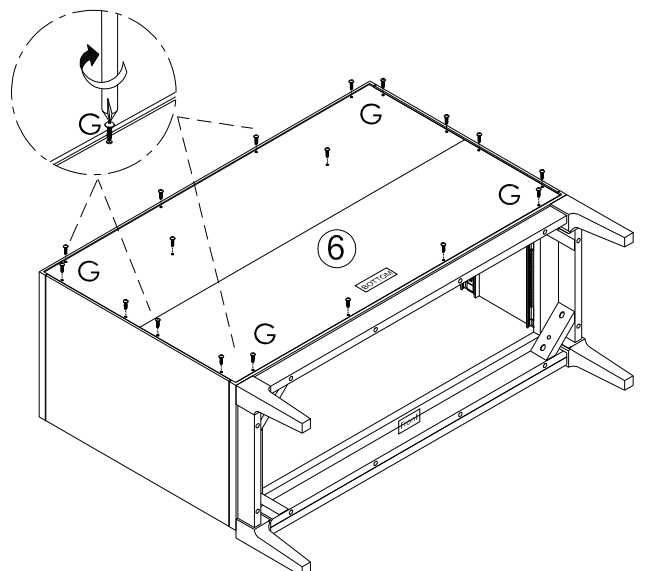
STEP 9

- A) Attach Top Panel(1) to Left,Right Side Panel(2,3) secure with Cam Lock(D)
- B) Cover Cam Lock with Cam Lock Cover(F)



STEP 10

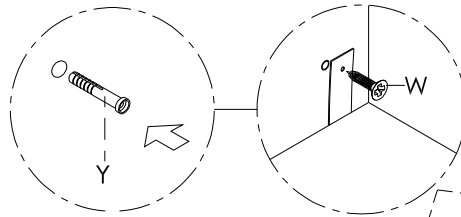
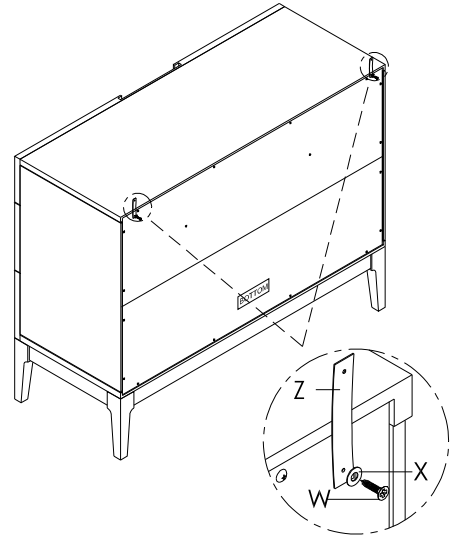
- A) Attach Back Plywood(6) to assembled unit using Panhead Chipboard Screw(Black)(G) to secure



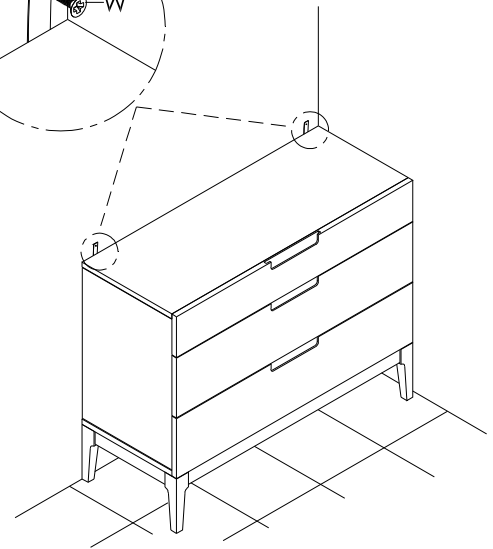
**STEP 11**

\*Following step is OPTIONAL. Follow these steps if you wish to secure unit to a wall for added safety

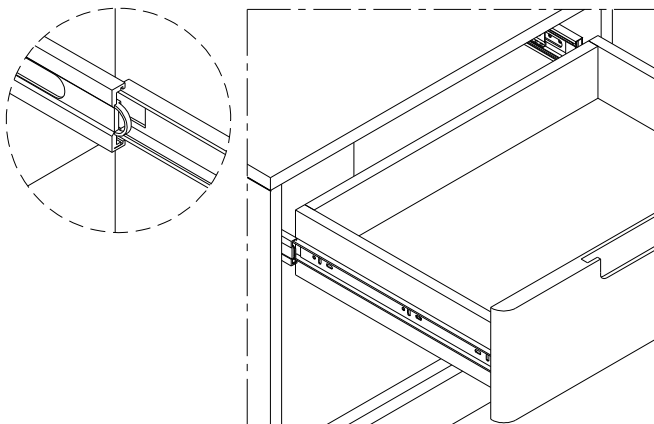
- i) Attach Safety Belt(Z) to Back Plywood and secure using Flat Washer(X) Chipboard Screw(W) to secure



- ii) Drill a hole at the wall, insert Screw Plug(Y) into hole
- iii) Move assembled unit to wall and Screw in Safety Belt(Z) using Chipboard Screw(W)

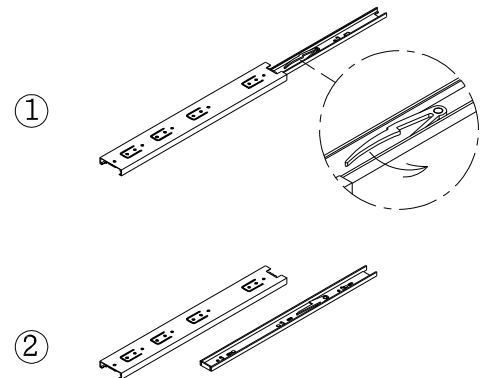


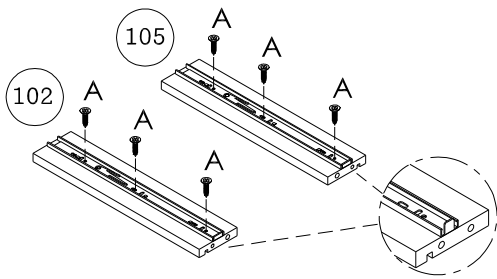
**EXTENSION RUNNER ASSEMBLE STEPS:**



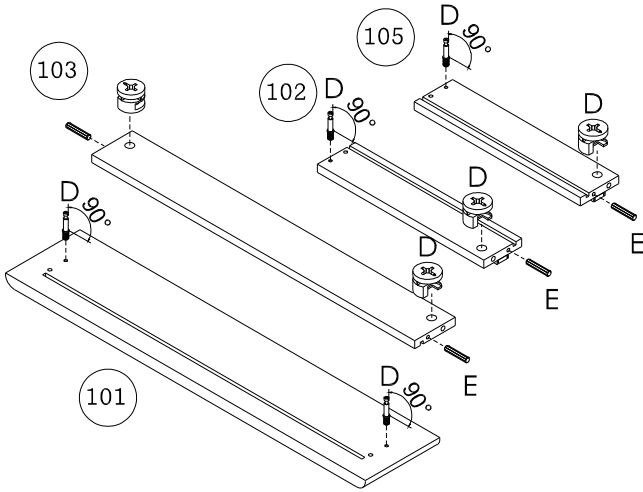
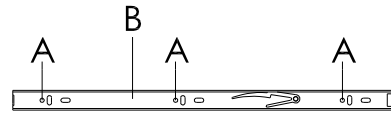
NOTE : Align and pull/push the triggers on both sides of drawer box into the metal track on interior side of side panel

**EXTENSION RUNNER SEPARATE STEPS:**



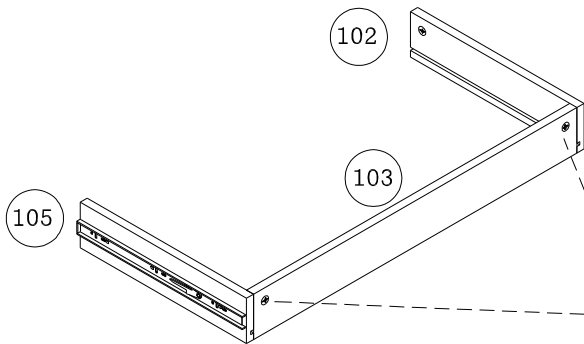


A) Attach Extension Runner(B) to Left,Right Small Drawer Side(102,105) using Chipboard Screw(A) to secure

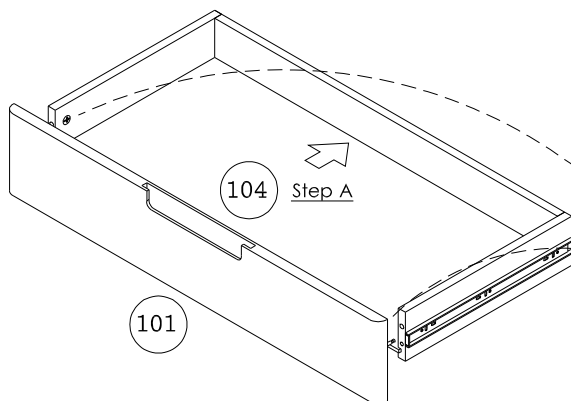
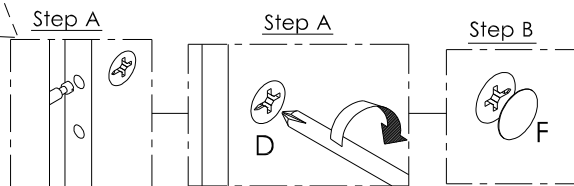


- A) Flip Over Left,Right Small Drawer Side(102,105)
- B) Insert Wood Dowel(E) to Left,Right Small Drawer Side(102,105) & Small Drawer Back(103)
- C) Attach Cam Lock(D) to Left,Right Small Drawer Side(102,105) & Small Drawer Back(103)
- D) Attach Cam Bolt(D) to Left,Right Small Drawer Side(102,105) & Small Drawer Front(101)

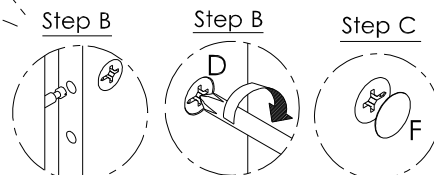
NOTE : Make sure arrows on each Cam Lock point towards nearest edge with holes



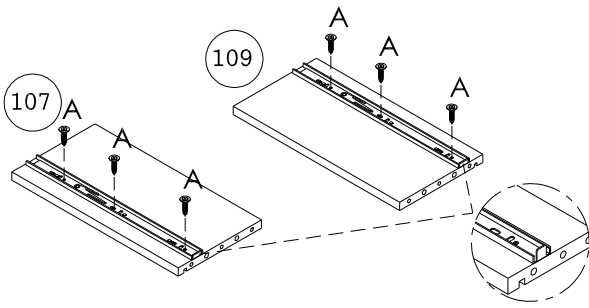
- A) Attach Left,Right Small Drawer Side(102,105) to Small Drawer Back(103) secure with Cam Lock(D)
- B) Using Cam Lock Cover(F) to cover Cam Lock(D)



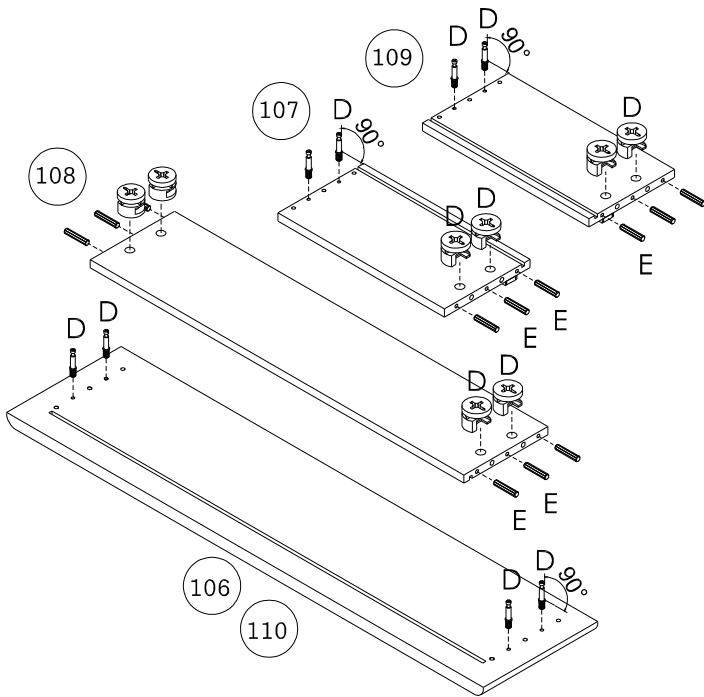
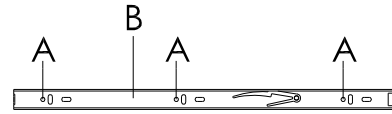
- A) Slot in Drawer Base(104) in corresponding grooves
- B) Attach Small Drawer Front(101) to Drawer Box secure with Cam Lock(D)
- C) Using Cam Lock Cover(F) to cover Cam Lock(D)





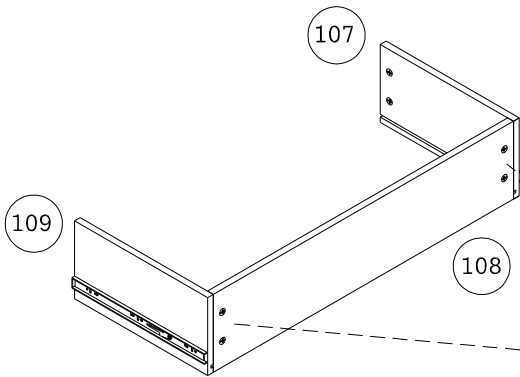


A) Attach Extension Runner(B) to Left,Right Big Drawer Side(107,109) using Chipboard Screw(A) to secure

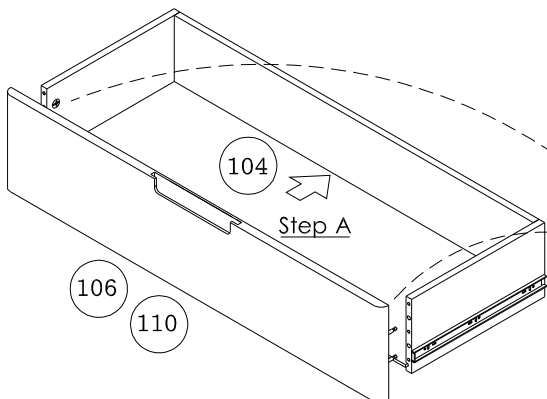
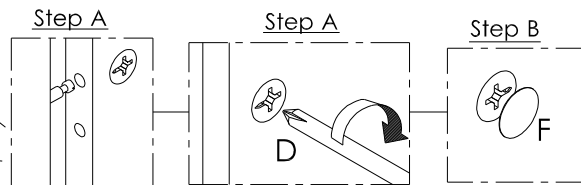


- A) Flip Over Left,Right Big Drawer Side(107,109)
- B) Insert Wood Dowel(E) to Left,Right Big Drawer Side(107,109) & Big Drawer Back(108)
- C) Attach Cam Lock(D) to Left,Right Big Drawer Side(107,109) & Big Drawer Back(108)
- D) Attach Cam Bolt(D) to Left,Right Big Drawer Side(107,109) & Big Drawer Front(106,110)

NOTE : Make sure arrows on each Cam Lock point towards nearest edge with holes



- A) Attach Left&Right Big Drawer Side(107,109) to Big Drawer Back(108) secure with Cam Lock(D)
- B) Using Cam Lock Cover(F) to cover Cam Lock(D)



- A) Slot in Drawer Base(104) in corresponding grooves
- B) Attach Big Drawer Front(106) to Drawer Box secure with Cam Lock(D)
- C) Using Cam Lock Cover(F) to cover Cam Lock(D)

