











# Assembly Instructions

**Caution : You must read this before you proceed**

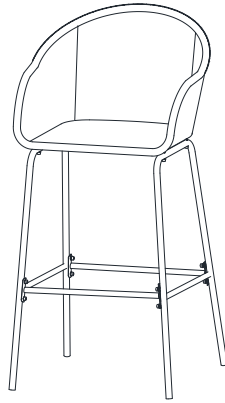
## Care & Maintenance

- ⊘  ● Not for commercial use. For residential use only.
- ⊘  ● Prolonged exposure to rain may cause rusting which can stain floors.
- ⊘  ● Do not put hot items directly on furniture surface.
- ⊘  ● Do not clean furniture with harsh cleansers or polish.
- ✓  ● To obtain the longest lifespan of your outdoor products, minimizing exposure to direct sunlight is recommended.
- ⊘  ● Children should not climb or jump on the furniture.
- ⊘  ● Do not write on furniture without a padded barrier to protect the surface.
- ✓  ● To obtain the longest lifespan of your outdoor products, avoid extended and lengthy exposure to rain, snow, and direct sunshine. Whenever possible cover the product and /or place under patio or awnings.
- ⊘  ● Stains may be removed with mild soap solution and damp cloth.
- ✓  ● Keep away from sources of ignition.

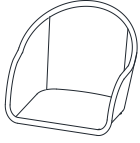



- ✓  ● Dust and pick-up spills using a clean, non-colored, lint-free cloth.

Please look in carton for hardware packs and legs.  
Sets often ship in multiple boxes and may arrive a day or two apart.

# Barstool



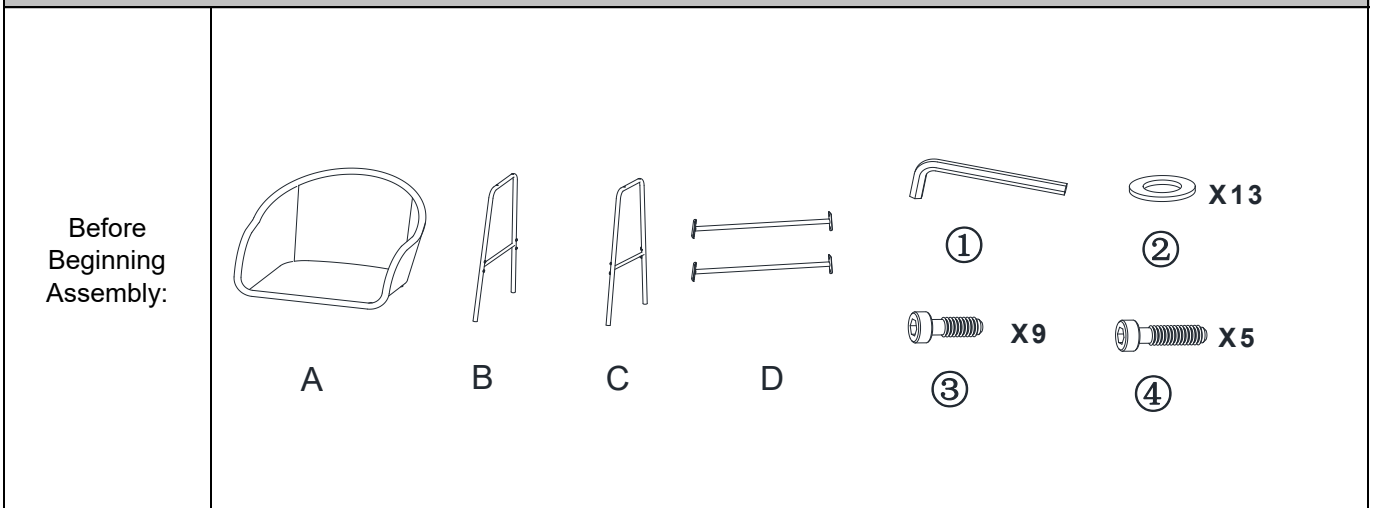
## Part List

| Label | Picture   | Description | QTY |
|-------|---|-------------|-----|
| A     |    | Seat        | 1   |
| B     |   | Left Leg    | 1   |
| C     |  | Right Leg   | 1   |
| D     |  | Support Bar | 2   |

## Hardware

| Label | Picture   | Description    | QTY |
|-------|---|----------------|-----|
| ①     |  | Allen Wrench   | 1   |
| ②     |  | Washer         | 13  |
| ③     |  | Bolt (M6*15mm) | 9   |
| ④     |  | Bolt (M6*35mm) | 5   |

## Assembly Preparation



- Read instructions, cover to cover-



- Have 2 adults on hand for assembly-



- Do not assemble on flooring or carpet-



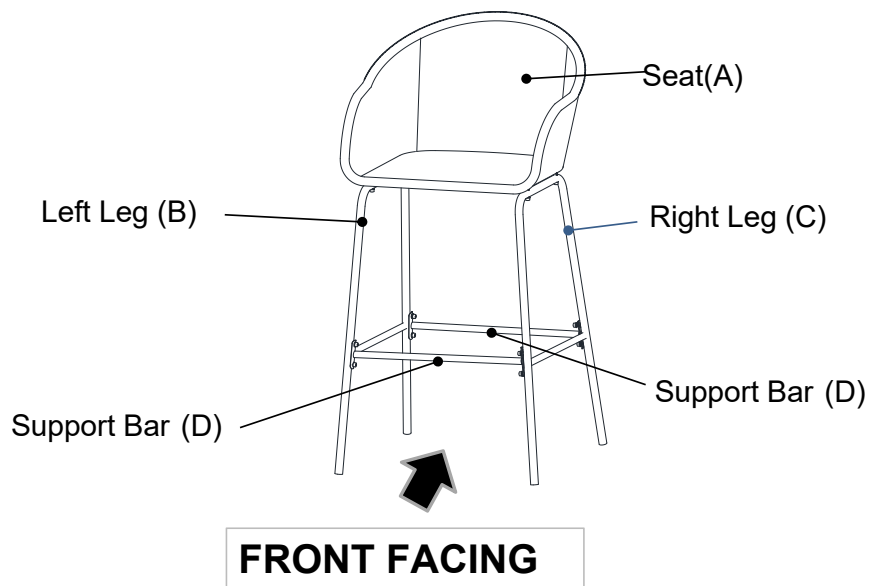
- Assemble on a clean non-marring surface (packing foam)-



- Save all packaging until finished-

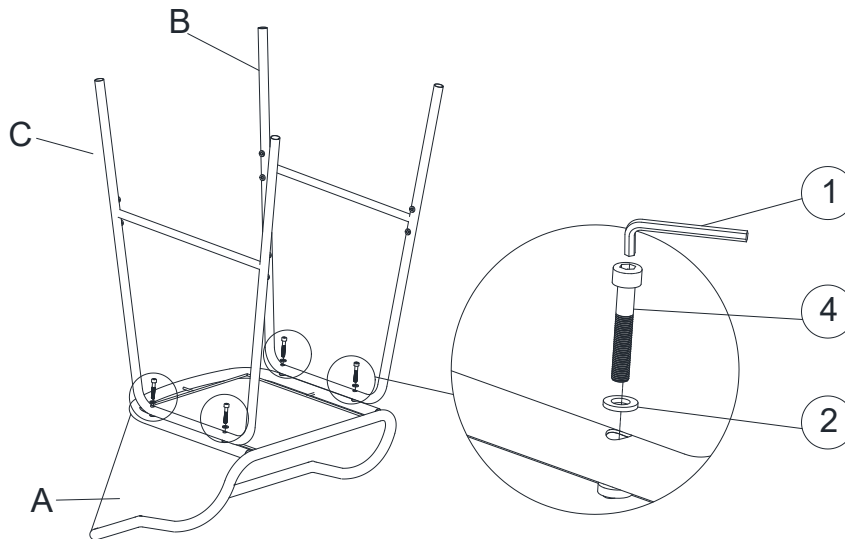
## Assembly Steps

### Overview



This Barstool has multiple parts and may require up to 30 minutes to assemble. To give you an overview of the Barstool parts, the above picture is to help you put the various parts into perspective. Please read through the instructions below to familiarise yourself with the parts and steps before assembly.

### Step 1



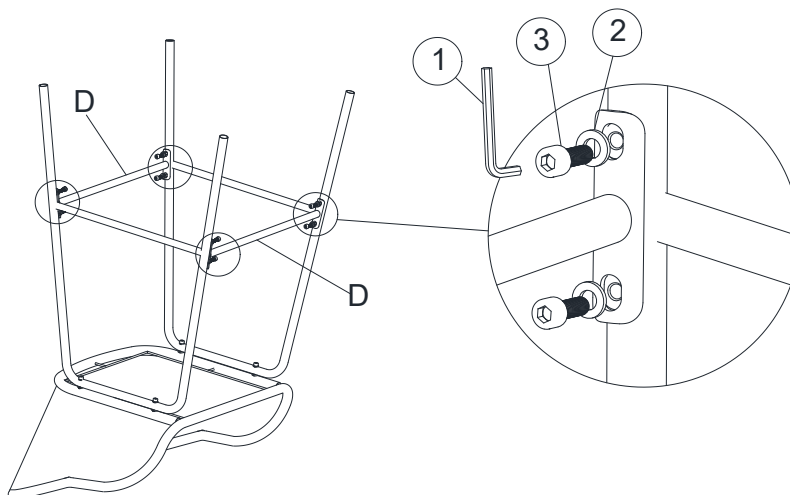
Open the carton, and place all parts onto a clean, non-marring surface.

Attach the Left Leg (B) to Seat (A) using Bolts (④) and Washers (②) with Allen Wrench (①) as shown above.

Attach the Right Leg (C) to Seat (A) using Bolts (④) and Washers (②) with Allen Wrench (①) as shown above.

**Do not fully tighten the Bolts.**

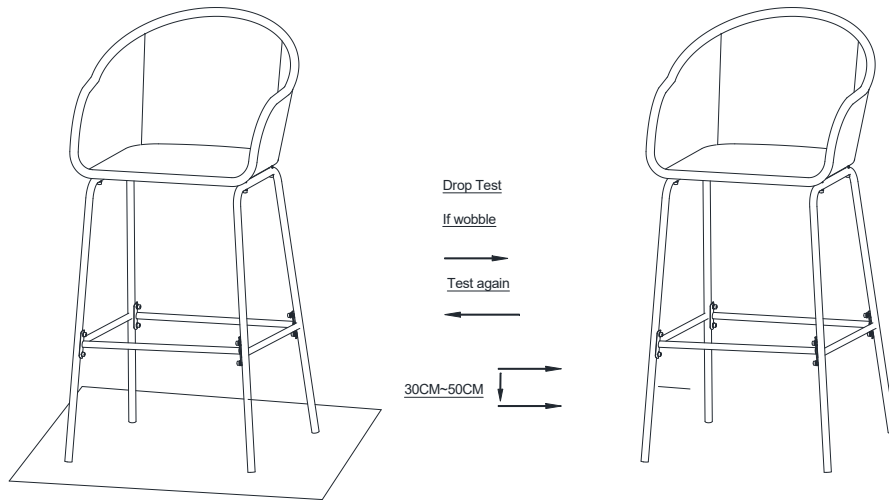
### Step 2



Attach the Support Bar (D) to Left Leg (B) and Right Leg (C) using Bolts (③) and Washers (②) with Allen Wrench (①) as shown above.

**Inspect and make sure all parts are adequately connected.  
Fully Tighten all the Bolts.**

### Step 3



Stand the Barstool up.

Place the Barstool on a **LEVEL SURFACE** to check for wobbles.

If it wobbles, lift the Barstool some **30cm to 50cm** high from the ground.

Keep your feet and toes well away from the drop zone.

Drop the Barstool freely and vertically so that all four legs hit the ground at the same time.

This Drop Test will help to ensure that all the Bolts and gaps are fully aligned.

Test again for evenness on a **LEVEL SURFACE**.

If no wobbles are found, place the Barstool facedown slowly and steadily.

Then, proceed to tighten all Bolts sequentially.

When tightening the Bolts, tighten sequentially.

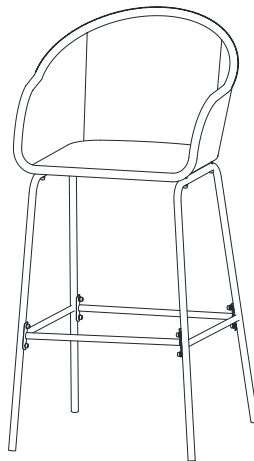
**DO NOT** tighten any Bolt fully and then move on to the next one.

This could cause the frame to warp.

**If there are still wobbles, loosen the Bolts and execute the same drop test.**

**If the Barstool is not stable, it could damage the product.**

### Step 4



The Barstool is ready for use.

The Barstool can only be used on a flat, level surface.