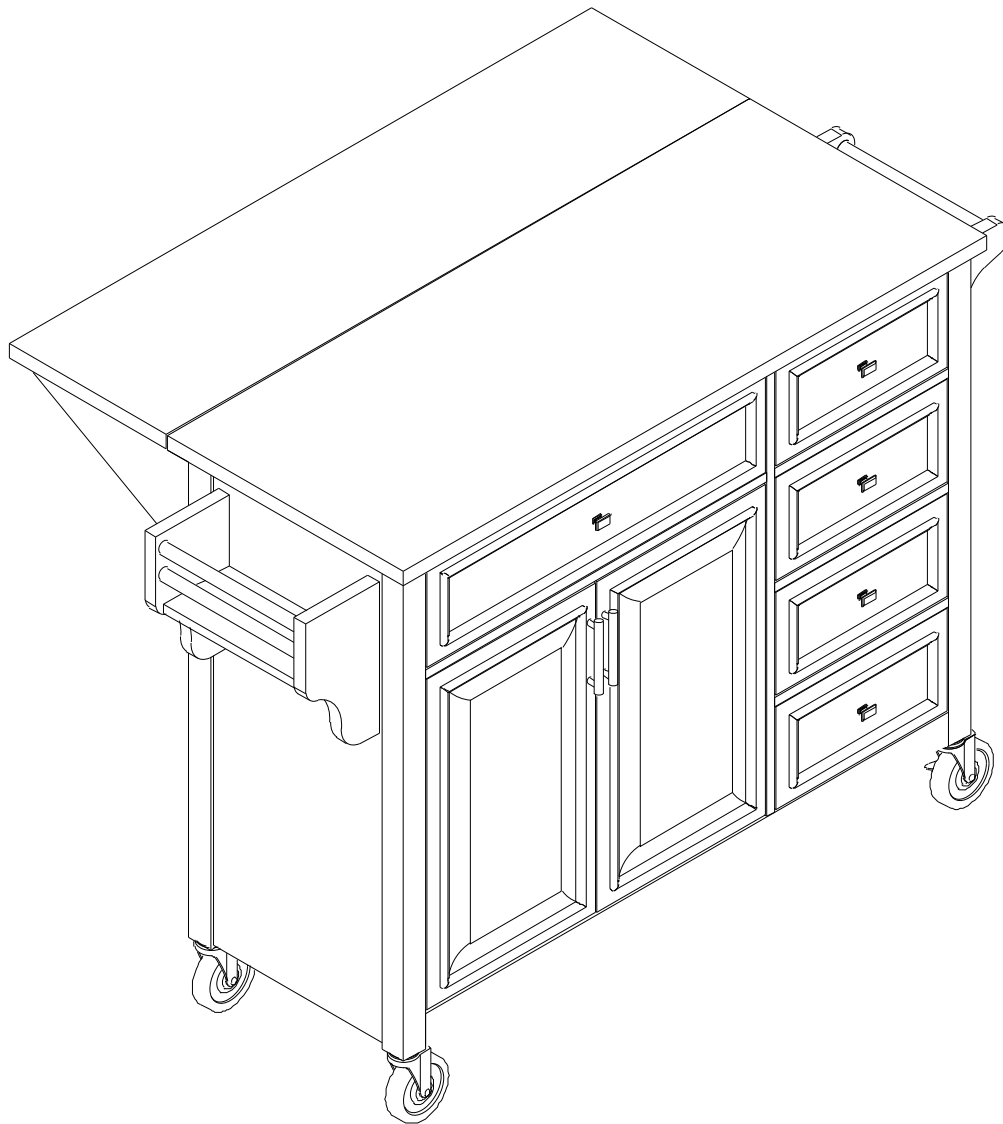


Kitchen Island Carts

Assembly Instructions - Please keep for future reference



Important – Please read these instructions fully before starting assembly



Safety and Care Advice

Important – Please read these instructions fully before starting assembly

- Check you have all the components and tools listed on the following pages.
- Remove all fittings from the plastic bags and separate them into their groups.
- Keep children and animals away from the work area, small parts could choke if swallowed.
- Make sure you have enough space to layout the parts before starting.

- During assembly do not stand or put weight on the product, this could cause damage.
- Assemble the item as close to its final position (in the same room) as possible.
- Assemble on a soft level surface to avoid damaging the unit or your floor.
- Parts of the assembly will be easier with 2 people.



power drill is set on a low torque setting.

- To reduce the likelihood of damaging your product please ensure that your

Care and maintenance

- Only clean using a damp cloth and mild detergent, do not use bleach or abrasive cleaners.
- From time to time check that there are no loose screws on this unit.
- This product should not be discarded with household waste. Take to your local authority waste disposal centre.

Handy Hints

- Assemble all parts and bolts loosely during assembly, only once the product is complete should you fully tighten the bolts
- Regularly check and ensure That all bolts and fittings are tightend properly.

WARNING In order to help prevent overturning – please follow these instructions

To help prevent product toppling over please follow the below steps:-

Use the anti tip stap or wall fixing method provided (if applicable)
Do not allow children to climb or hang on the furniture
Do not open more than one drawer at a time
Do not place heavy items in the top drawers
Do not place heavy items on top of the furniture, unless the furniture has been designed for this purpose


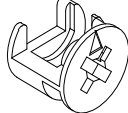
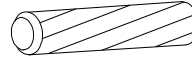
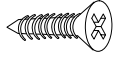
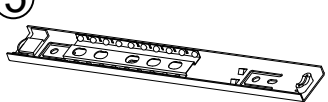
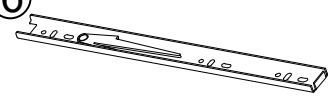

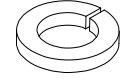

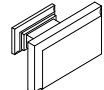
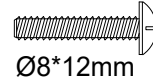
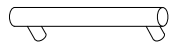
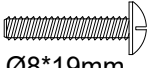
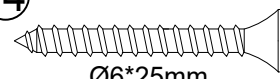
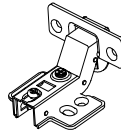
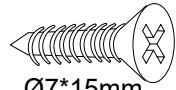
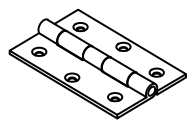
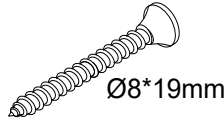
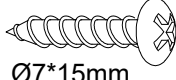
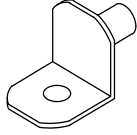
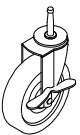
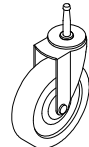

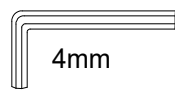
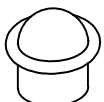
Please note that only the anti tip strap is provided.

You will need to provide wall plugs and screws applicable for your wall type

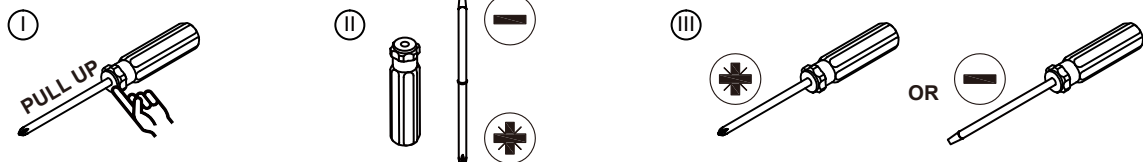
Components - Fittings

Please check you have all the panels listed below

Note: The quantities below are the correct amount to complete the assembly. In some cases more fittings may be supplied than are required.

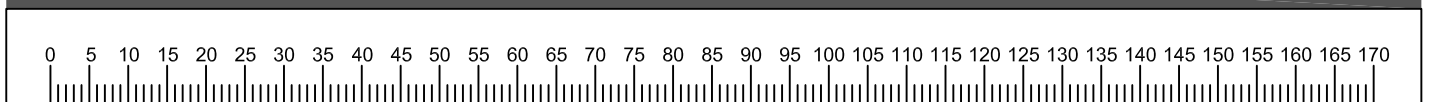
①  CAM BOLT x 47	②  CAM LOCK x 47	③  WOOD DOWEL x 22 Ø6*25mm	④  FLAT HEAD SCREW x 60
⑤  BALL BEARING SLIDE x 10	⑥  BALL BEARING SLIDE x 10	⑦  BOLT x 8 Ø11*32mm	⑧  SPRING WASHER x 8
⑨  FLAT WASHER x 8	⑩  KNOB x 5	⑪  BOLT x 5 Ø8*12mm	⑫  HANDLE x 2
⑬  BOLT x 4 Ø8*19mm	⑭  FLAT HEAD SCREW x 20 Ø6*25mm	⑮  HINGES x 4	⑯  FLAT HEAD SCREW x 66 Ø7*15mm
⑰  HINGES x 7	⑱  FLAT HEAD SCREW x 2 Ø8*19mm	⑲  ROUND HEAD SCREW x 4 Ø7*15mm	⑳  SHELF PIN x 4
㉑  LOCKING CASTER x 2	㉒  CASTER x 3	㉓  CAM TOOL x 1	㉔  ALLEN WRENCH x 1 4mm
			㉕  SPRING BALL LATCH x 2

Tools required



Screwdrivers can be converted to Phillips and Slotted.

Ruler - Use this ruler to help correctly identify the screws



The screws length is measured from the head to the point (35mm screw shown).

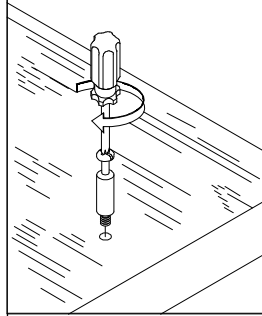
Using Camlocks

Step 1

Connect the male camlock as directed in the assembly instructions using a screwdriver.

1

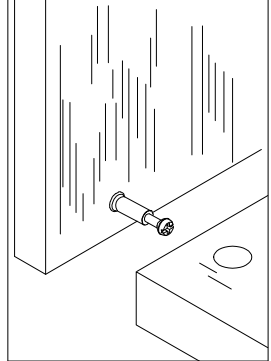
DO NOT OVER TIGHTEN.
NE PAS SERRER EXCESSIVEMENT.



Step 2

Push the male camlock into the entry hole.

2

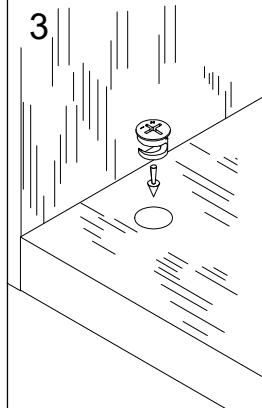


Step 3

Insert the female camlock as shown in the instruction.

Note: ensure that the arrow on the top of the camlock points towards the entry hole for the male camlock.

3



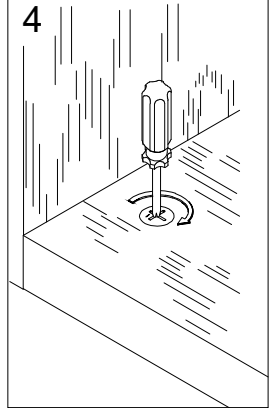
Step 4

Turn the female camlock clockwise with a screwdriver.

You should feel a click when the camlock is locked in place.

The joint is now secure.

4



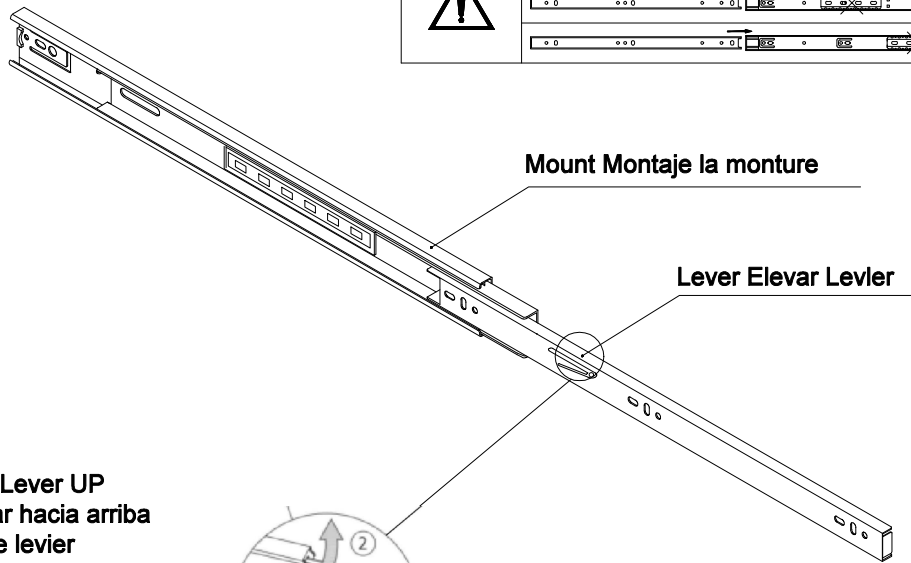
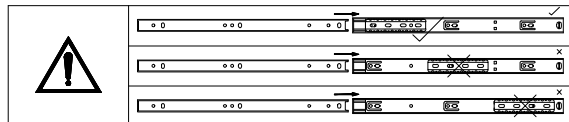
**Slides Must Be Separated Before Assembly.
After Separated, Set Aside Until Needed for Assembly.**

Las diapositivas deben separarse antes del montaje.
Después de la separación, déjelo a un lado hasta que sea necesario.

Les glissières doivent être séparées avant l'assemblage.
Après la séparation, mettez de côté jusqu'au moment de l'assemblage.

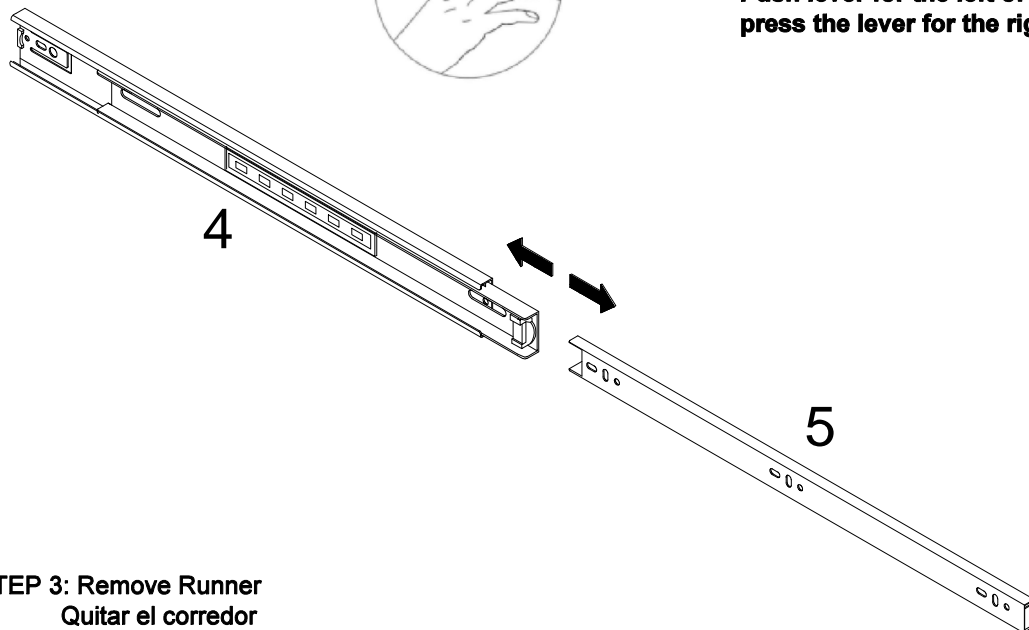
**Pay attention when connecting !
The sliding module must be at the front end.**

**STEP 1 : Extend Slide
Extender la diapositiva**



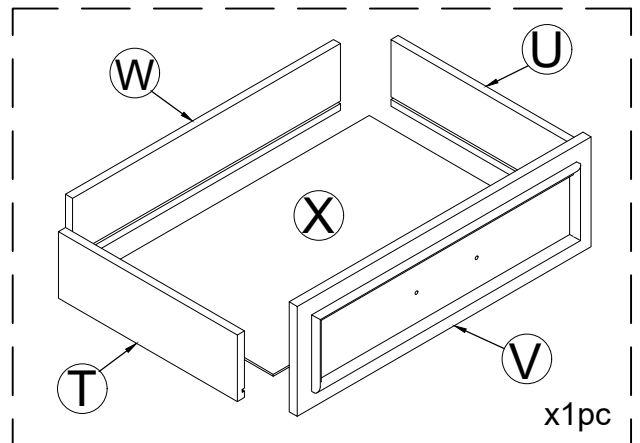
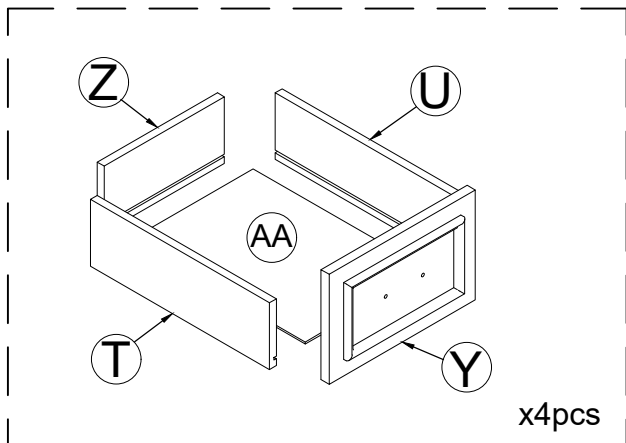
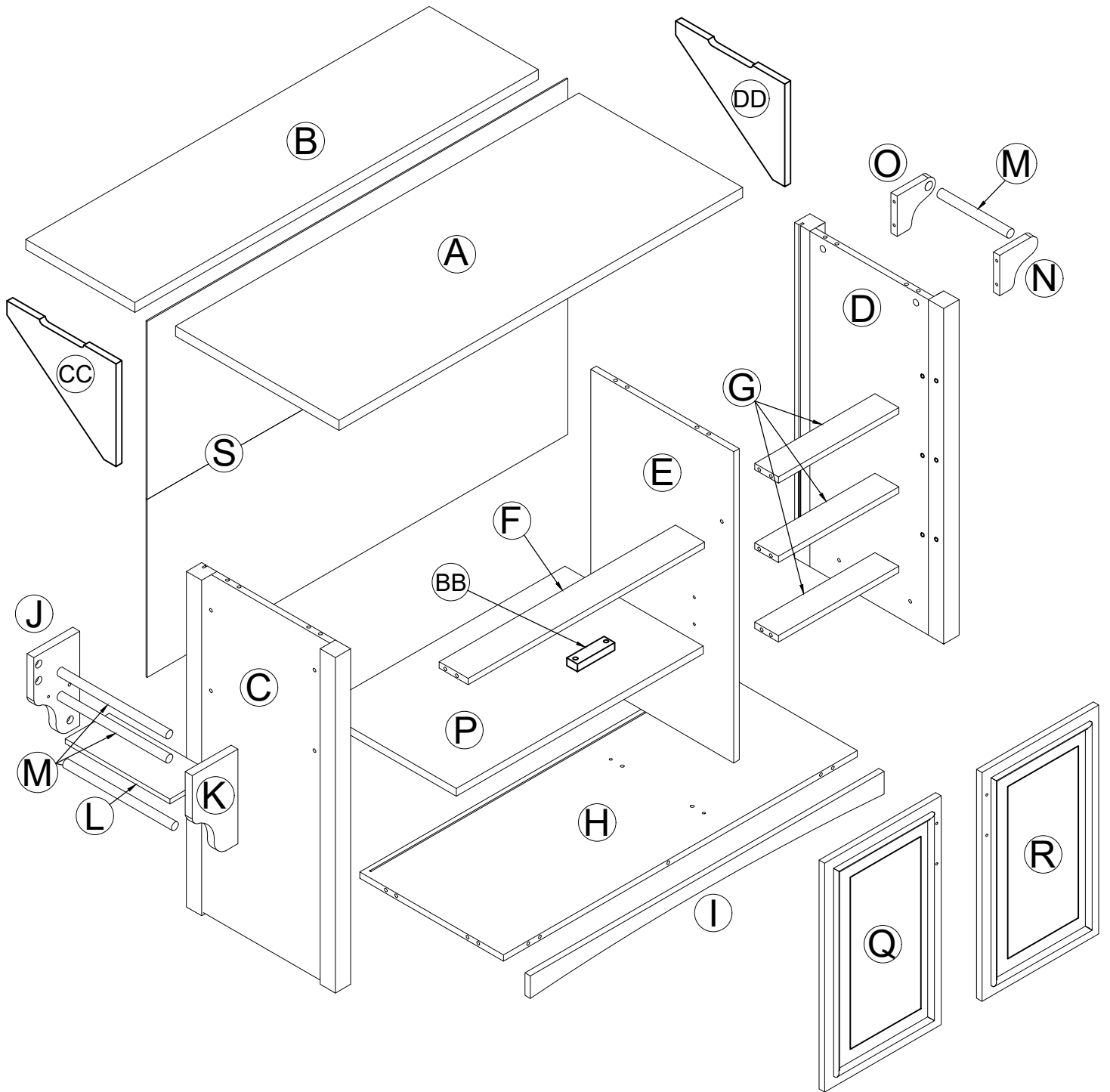
**STEP 2: Push Lever UP
Empujar hacia arriba
Lever le levier**

**Push lever for the left of drawer ,
press the lever for the right of drawer.**

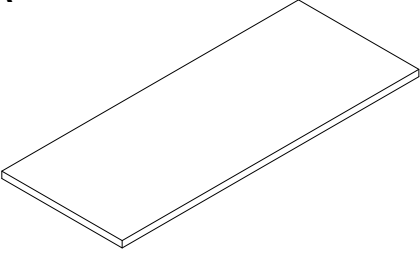
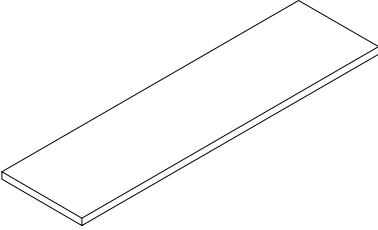
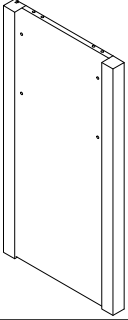
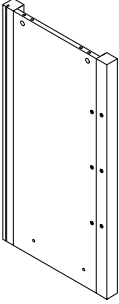
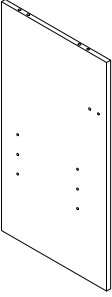
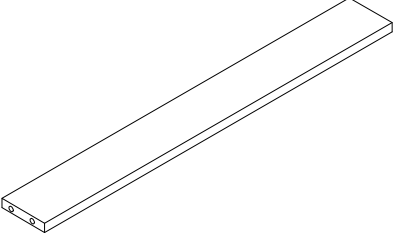
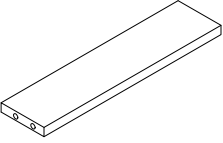
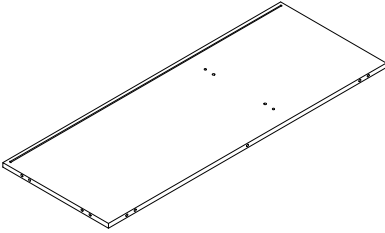
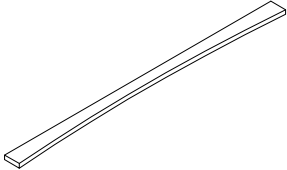
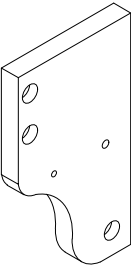
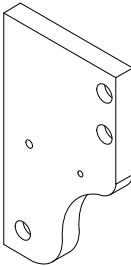
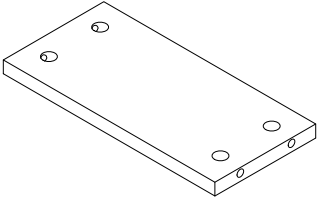
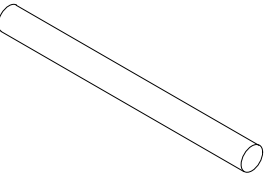
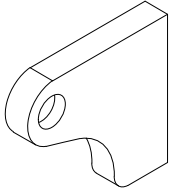
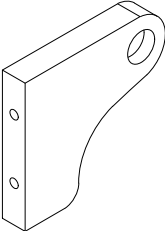


**STEP 3: Remove Runner
Quitar el corredor
Enlever le coureur**

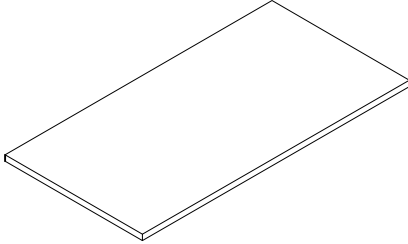
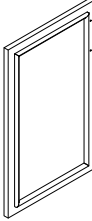
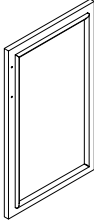
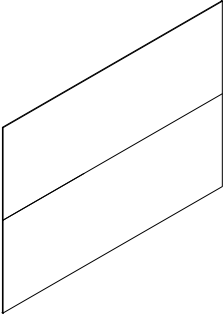
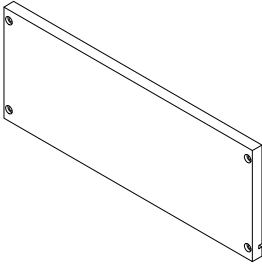
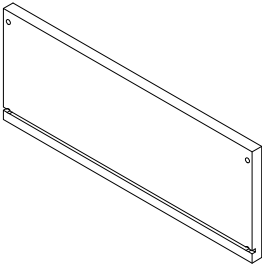
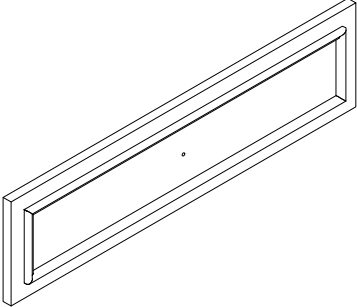
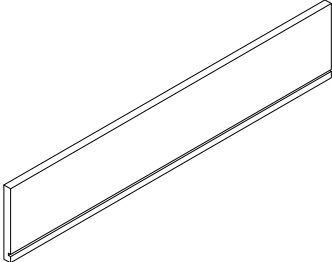
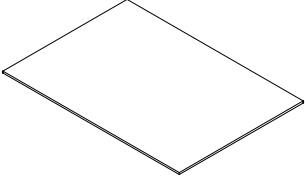
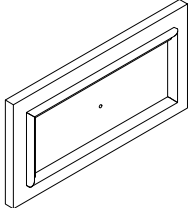
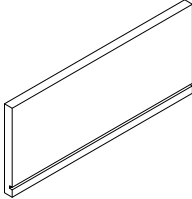
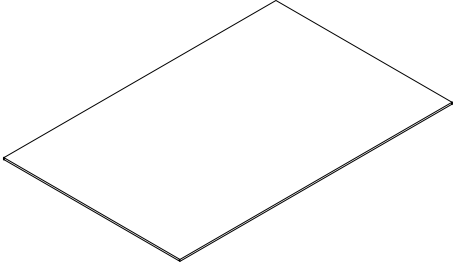
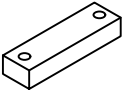
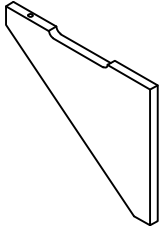
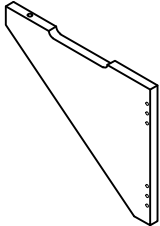
Assembly Instructions



Assembly Instructions

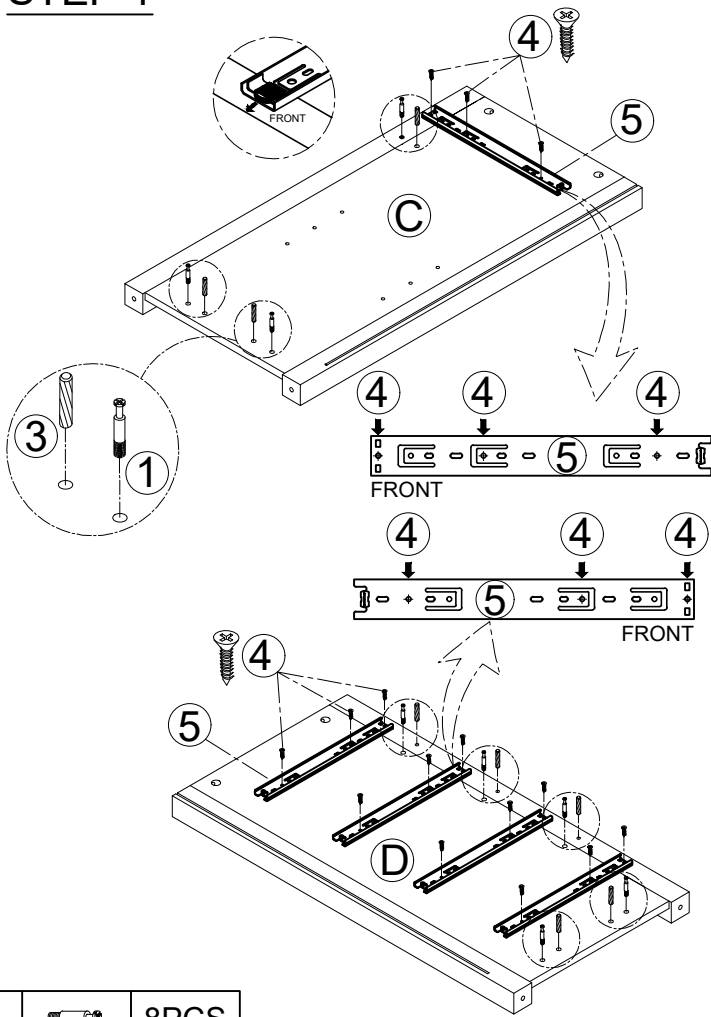
<p>A</p> 	<p>B</p> 	<p>C</p> 
<p>TOP PANEL QTY: 1</p>	<p>EXTENDED TOP PANEL QTY: 1</p>	<p>LEFT FRAME QTY: 1</p>
<p>D</p> 	<p>E</p> 	<p>F</p> 
<p>RIGHT FRAME QTY: 1</p>	<p>CENTER PANEL QTY: 1</p>	<p>FRONT PANEL - LEFT QTY: 1</p>
<p>G</p> 	<p>H</p> 	<p>I</p> 
<p>FRONT PANEL - RIGHT QTY: 3</p>	<p>BOTTOM PANEL QTY: 1</p>	<p>BOTTOM RAIL QTY: 1</p>
<p>J</p> 	<p>K</p> 	<p>L</p> 
<p>BRACKET - LEFT QTY: 1</p>	<p>BRACKET - RIGHT QTY: 1</p>	<p>BRACKET BOTTOM QTY: 1</p>
<p>M</p> 	<p>N</p> 	<p>O</p> 
<p>PULL BAR QTY: 4</p>	<p>BRACKET - LEFT QTY: 1</p>	<p>BRACKET - RIGHT QTY: 1</p>

Assembly Instructions

<p>P</p> 	<p>Q</p> 	<p>R</p> 
<p>SHELF QTY: 1</p>	<p>LEFT DOOR QTY: 1</p>	<p>RIGHT DOOR QTY: 1</p>
<p>S</p> 	<p>T</p> 	<p>U</p> 
<p>BACK PANEL QTY: 1</p>	<p>DRAWER SIDE - LEFT QTY: 5</p>	<p>DRAWER SIDE - RIGHT QTY: 5</p>
<p>V</p> 	<p>W</p> 	<p>X</p> 
<p>DRAWER FRONT QTY: 1</p>	<p>DRAWER BACK QTY: 1</p>	<p>DRAWER BOTTOM QTY: 1</p>
<p>Y</p> 	<p>Z</p> 	<p>AA</p> 
<p>DRAWER FRONT QTY: 4</p>	<p>DRAWER BACK QTY: 4</p>	<p>DRAWER BOTTOM QTY: 4</p>
<p>BB</p> 	<p>CC</p> 	<p>DD</p> 
<p>DOOR STOP QTY: 1</p>	<p>EXTENDED SUPPORT QTY: 1</p>	<p>EXTENDED SUPPORT QTY: 1</p>

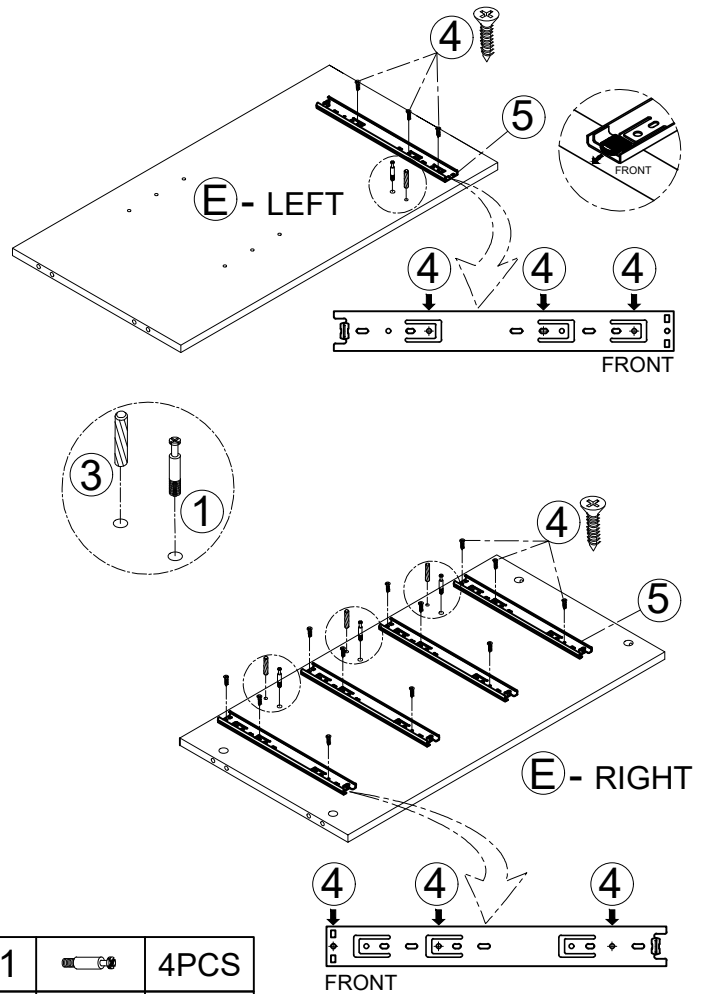
Assembly Instructions

STEP 1



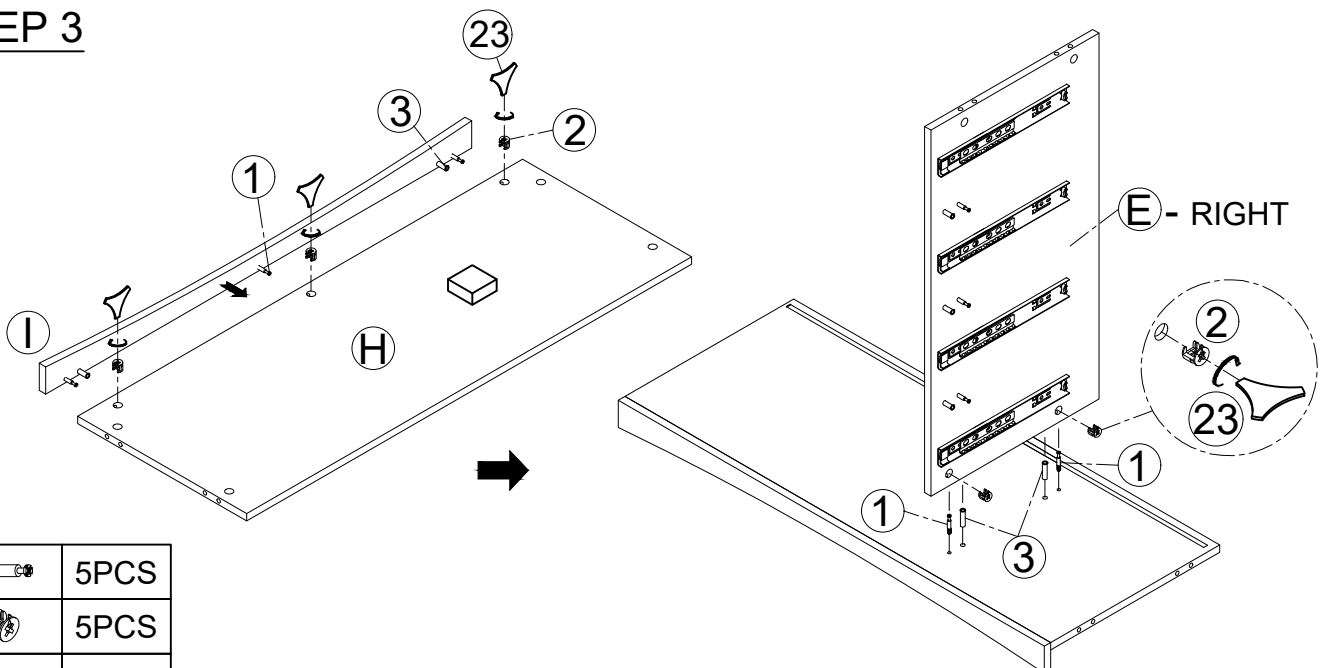
1		8PCS
3		8PCS
5		5PCS
6		15PCS

STEP 2



1		4PCS
3		4PCS
5		5PCS
6		15PCS

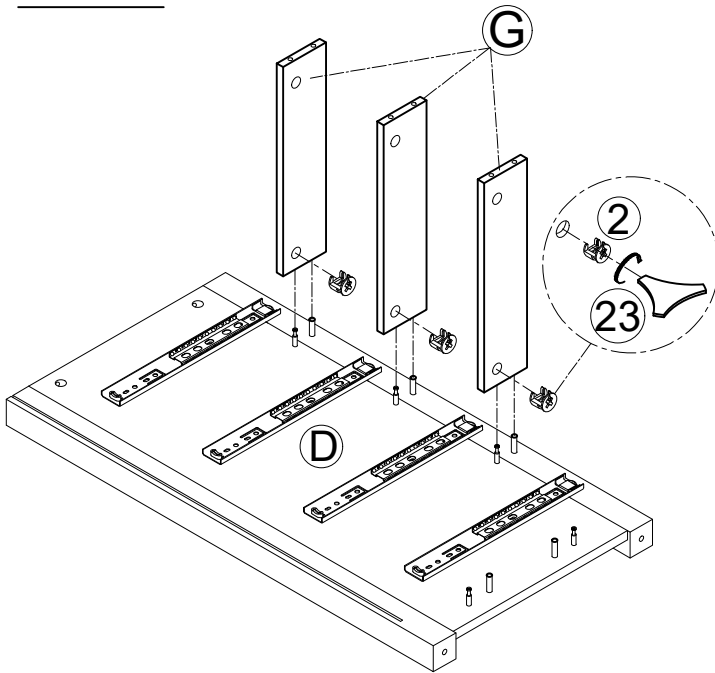
STEP 3



1		5PCS
2		5PCS
3		4PCS
23		1PC

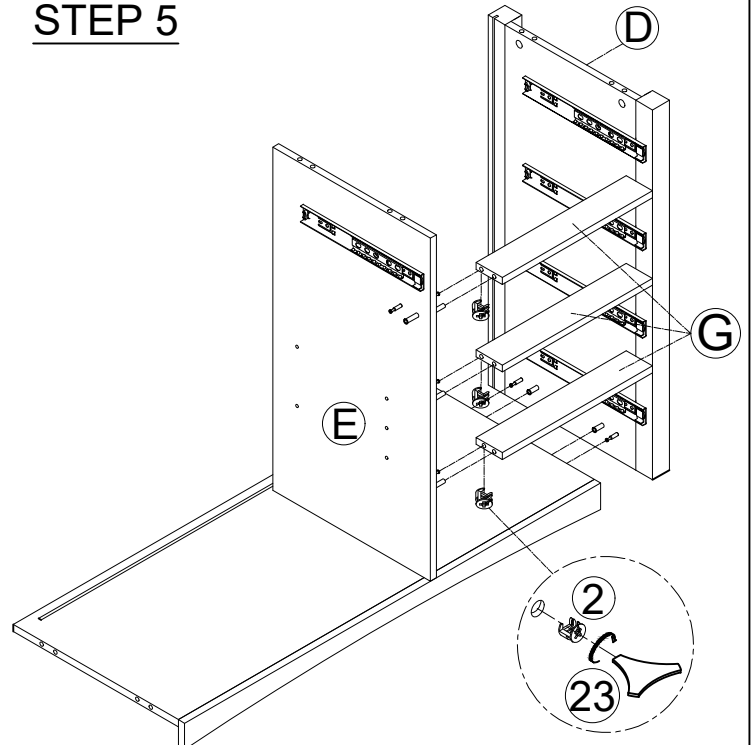
Assembly Instructions

STEP 4



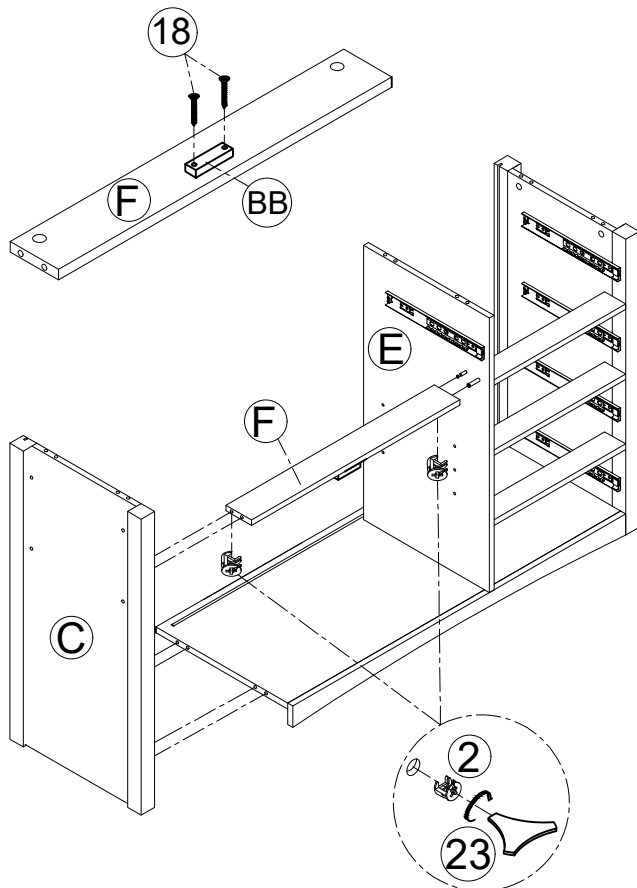
2		3PCS
23		1PC

STEP 5



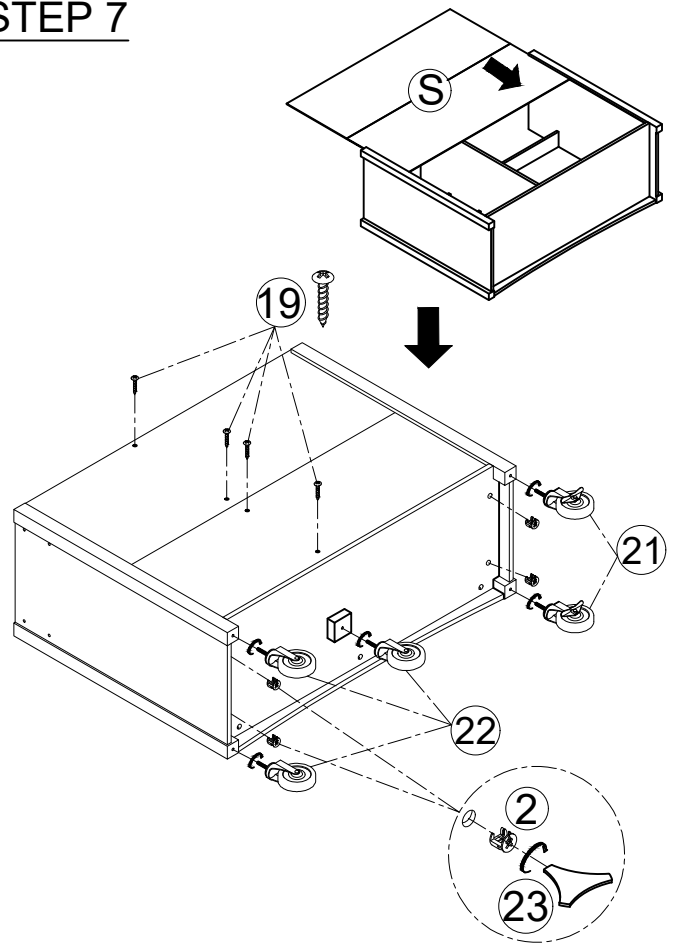
2		3PCS
23		1PC

STEP 6



2		2PCS
18		2PCS
23		1PC

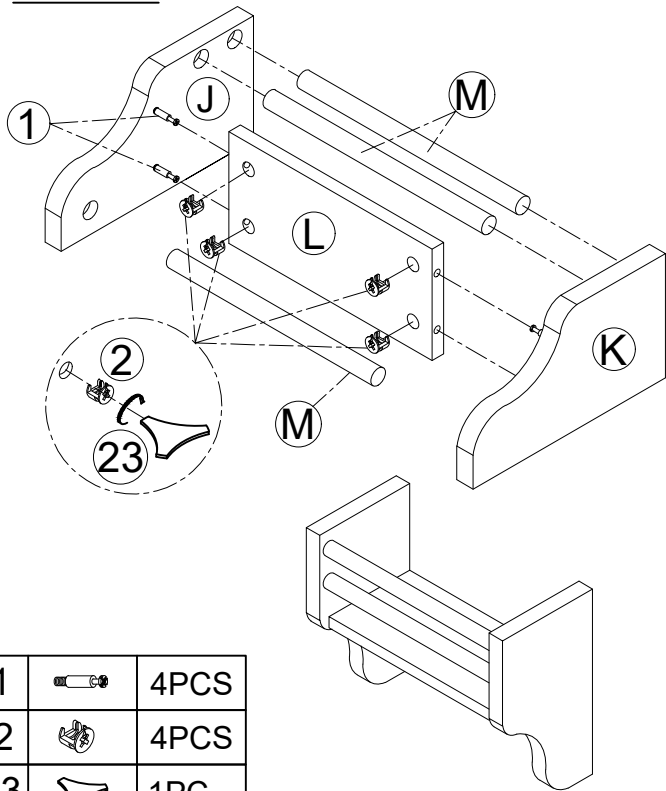
STEP 7



2		4PCS
19		4PCS
21		2PCS
3		1PC
22		3PCS

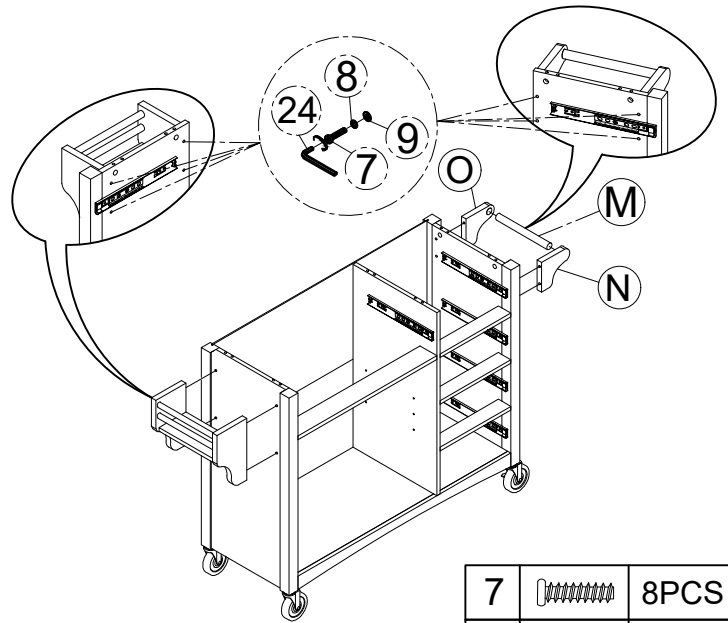
Assembly Instructions

STEP 8



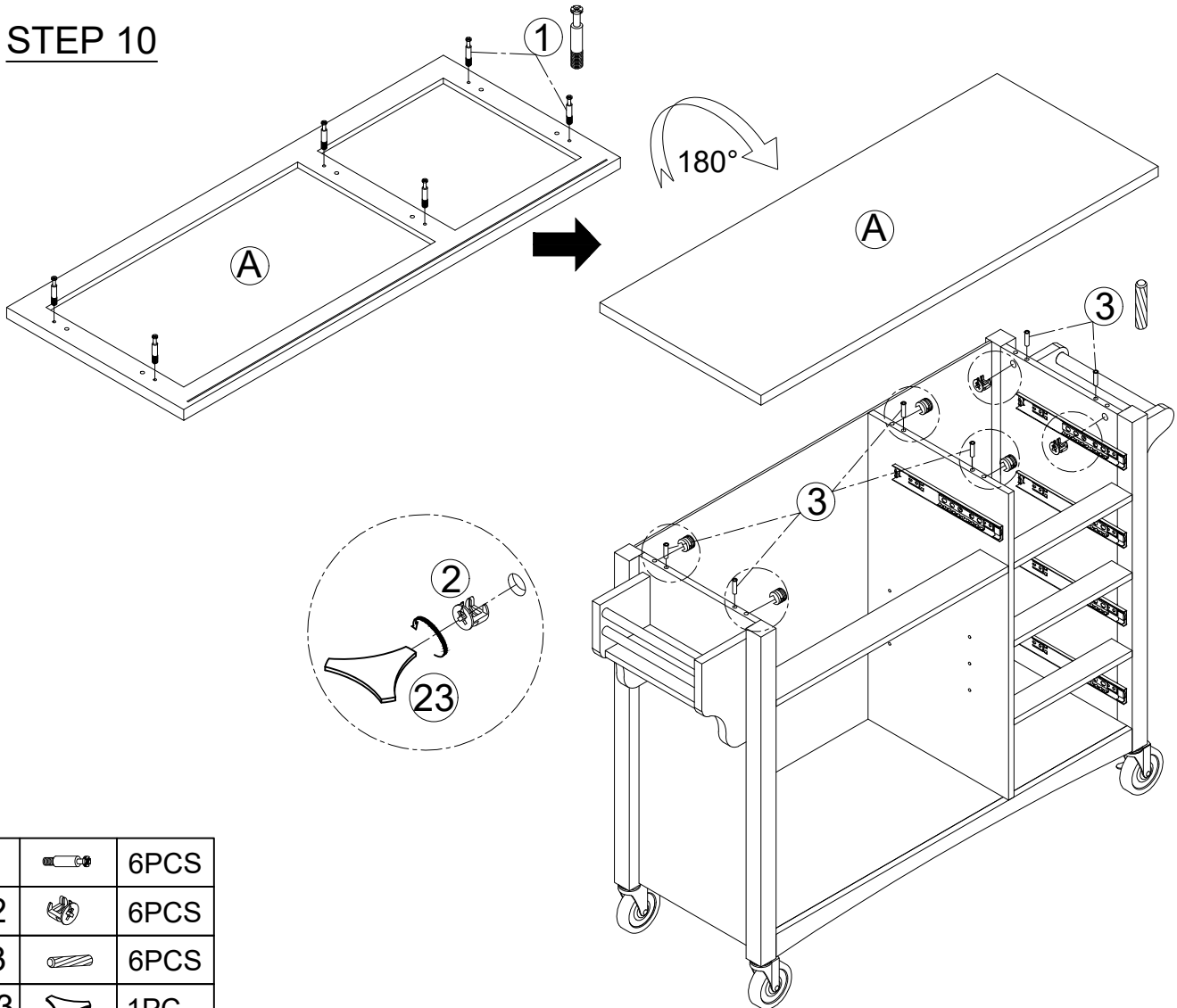
1		4PCS
2		4PCS
23		1PC

STEP 9



7		8PCS
8		8PCS
9		8PCS
24		1PC

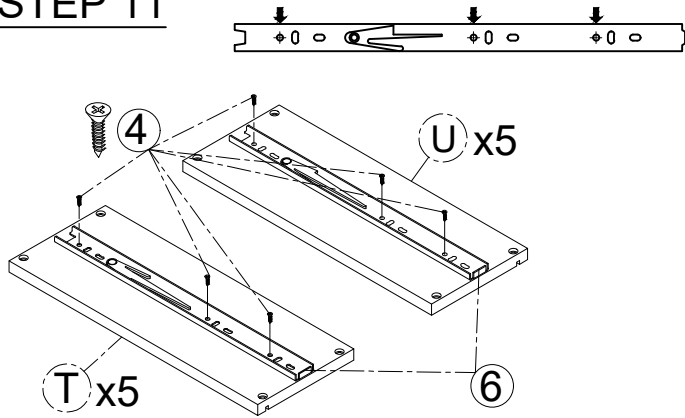
STEP 10



1		6PCS
2		6PCS
3		6PCS
23		1PC

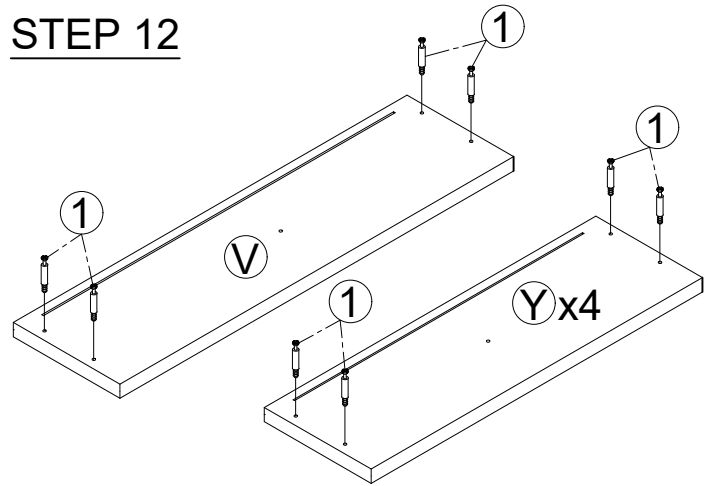
Assembly Instructions

STEP 11



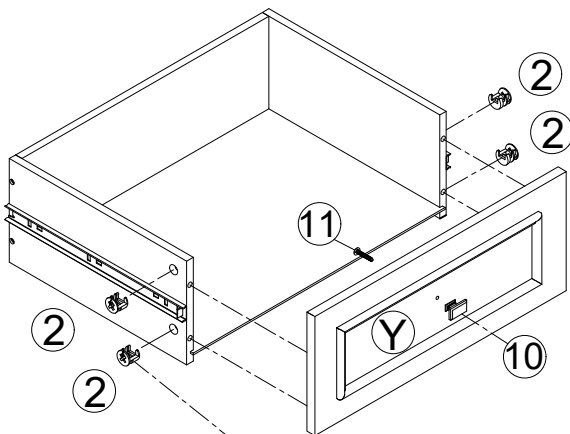
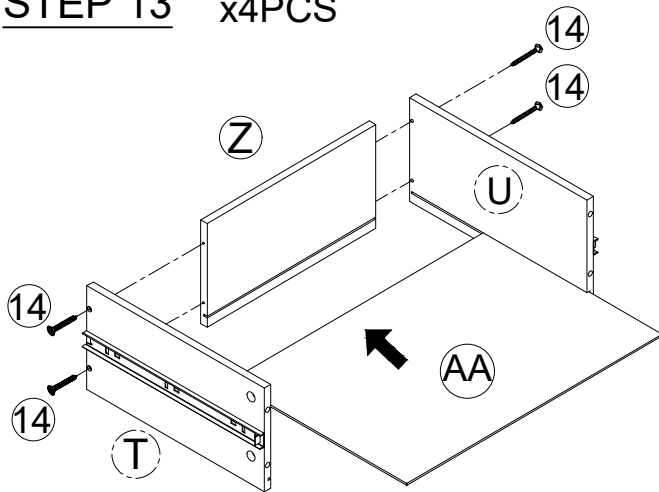
6		10PCS
6		30PCS

STEP 12

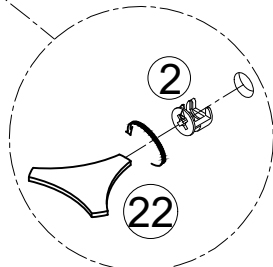


1		20PCS
---	--	-------

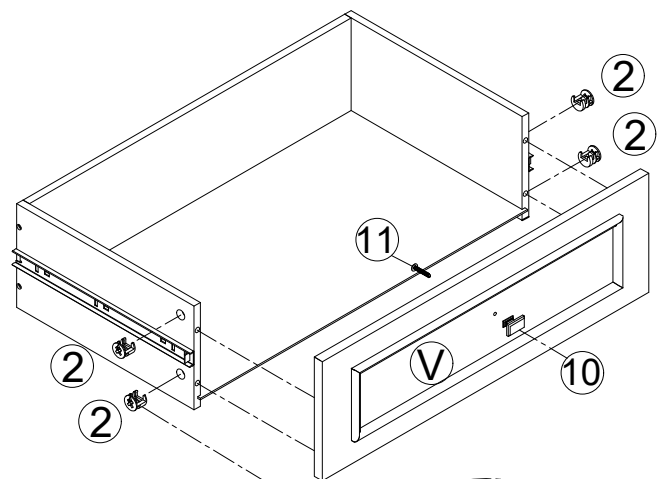
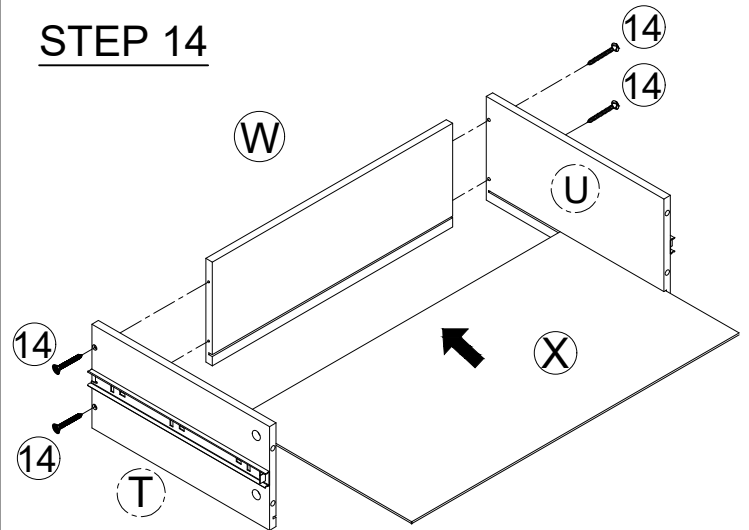
STEP 13 x4PCS



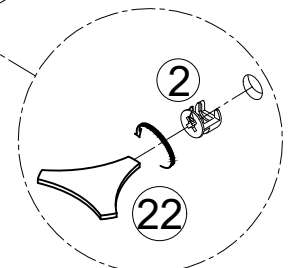
2		16PCS
10		4PCS
11		4PCS
14		16PCS



STEP 14

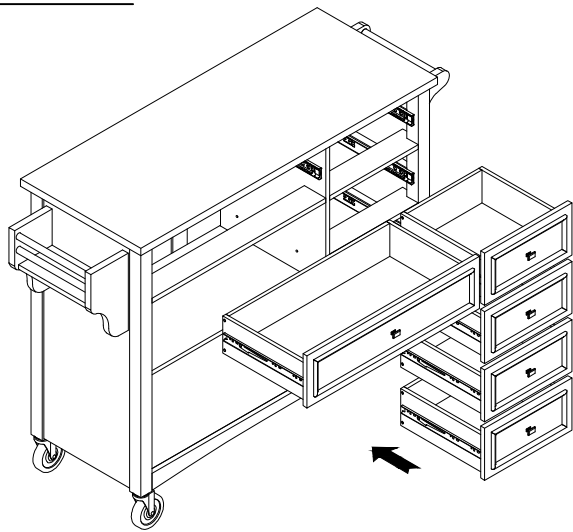


2		4PCS
10		1PCS
11		1PCS
14		4PCS

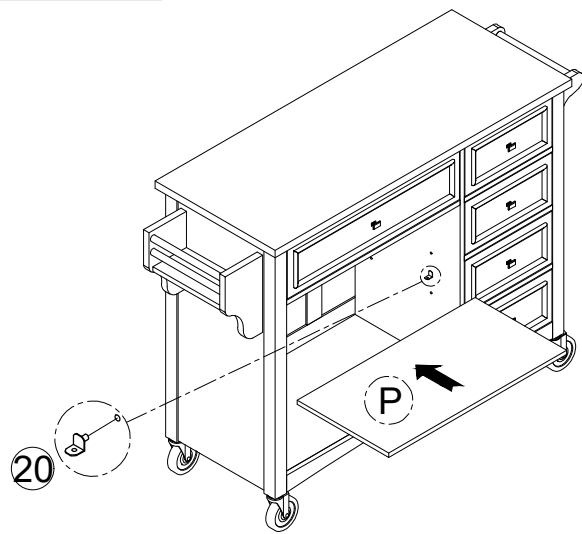


Assembly Instructions

STEP 15

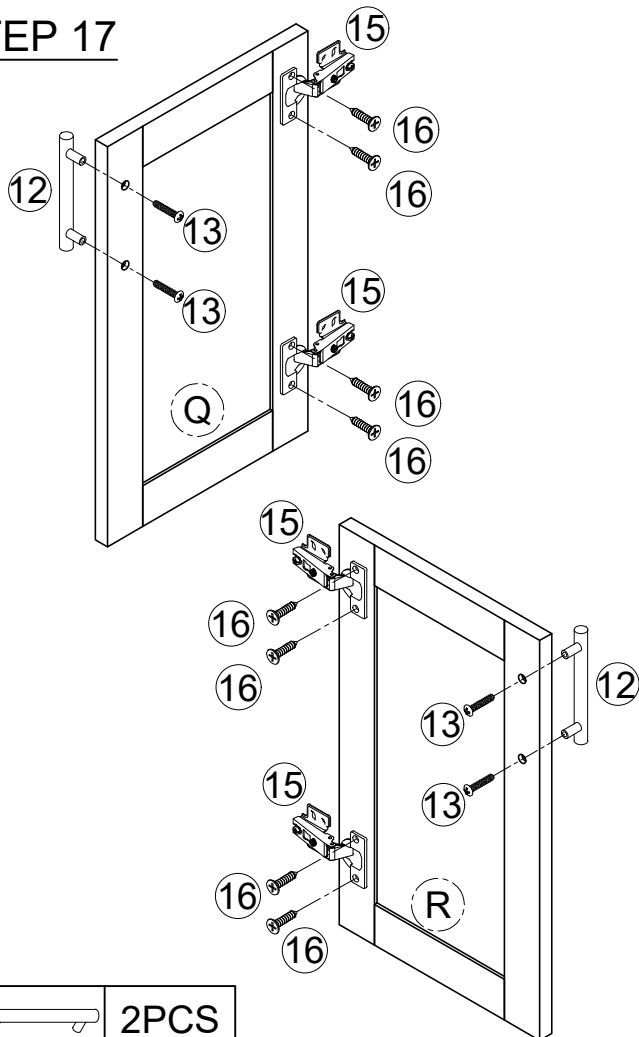


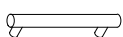


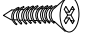
STEP 16



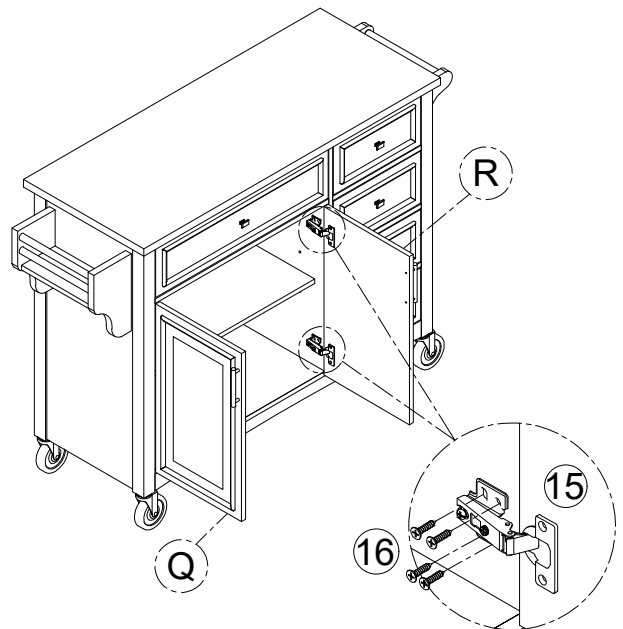
20		4PCS
----	---	------

STEP 17



12		2PCS
13		4PCS
15		4PCS
16		8PCS

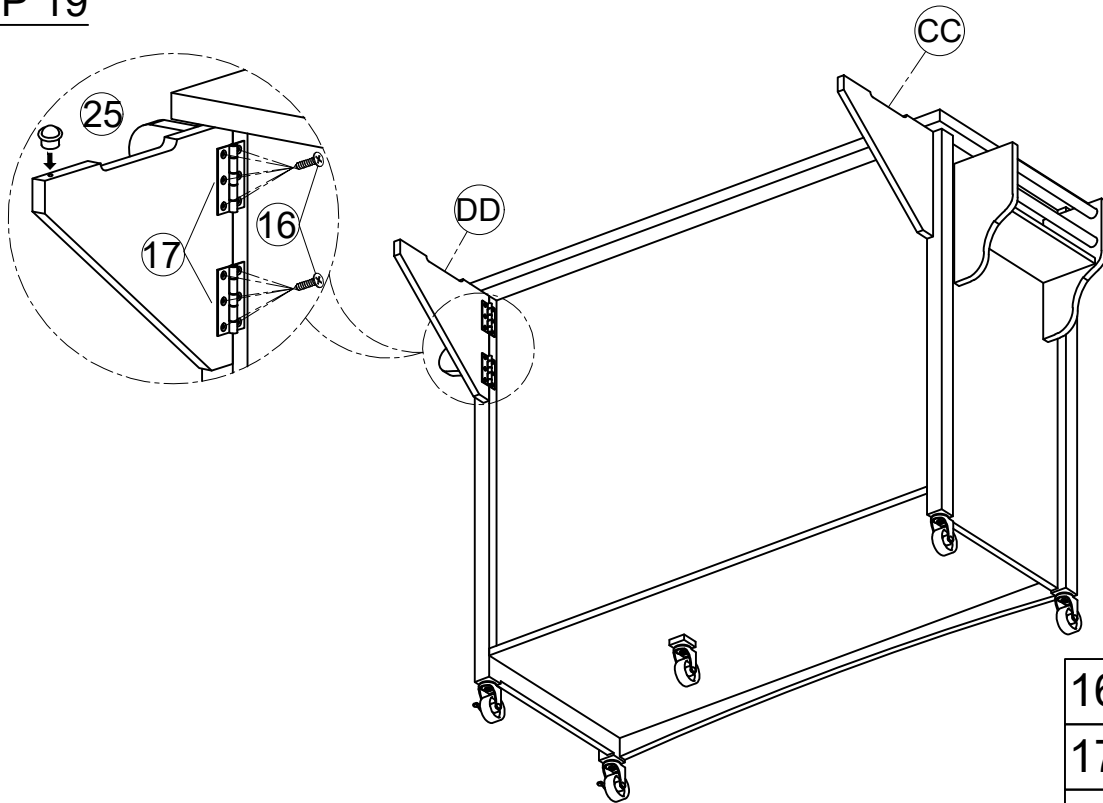
STEP 18

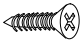




16		16PCS
----	---	-------

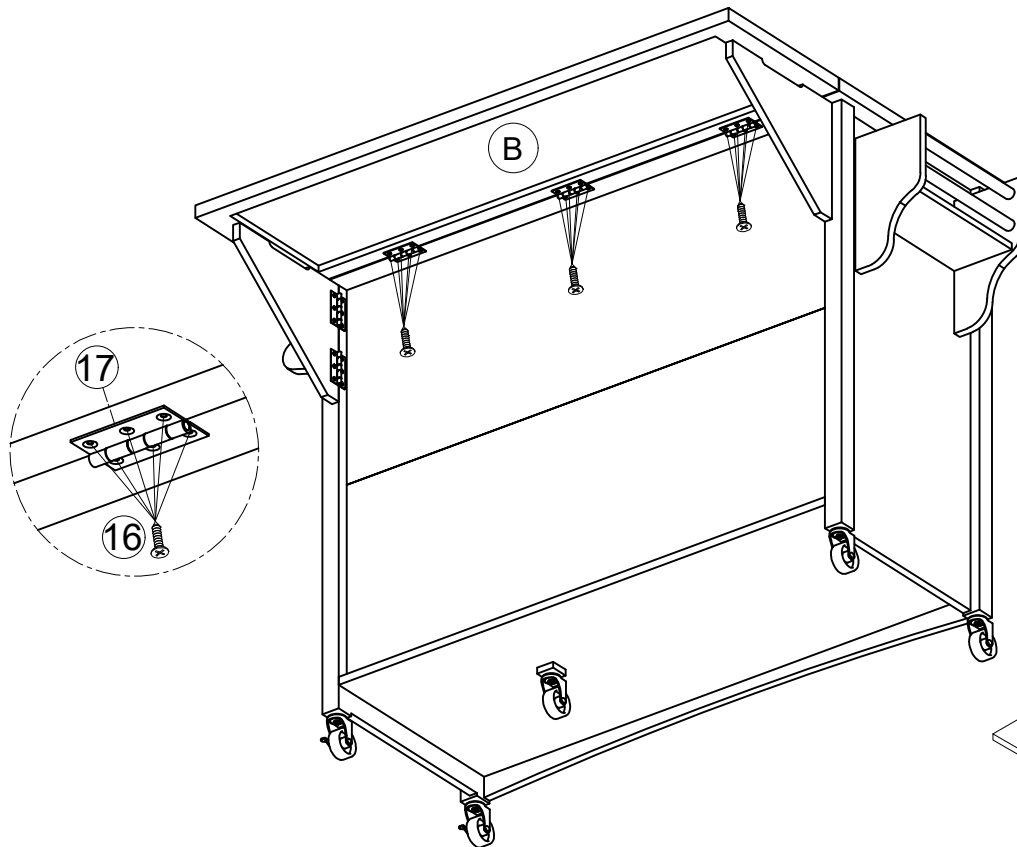
Assembly Instructions



STEP 19

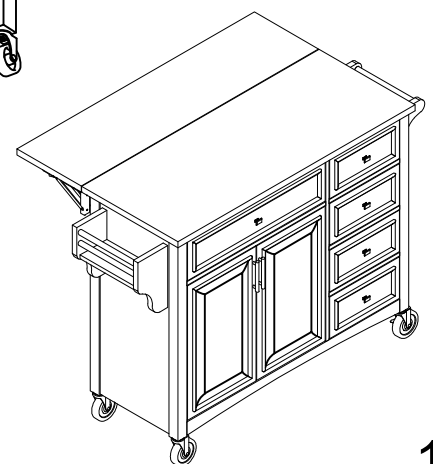


16		24PCS
17		4PCS
25		2PCS

STEP 20

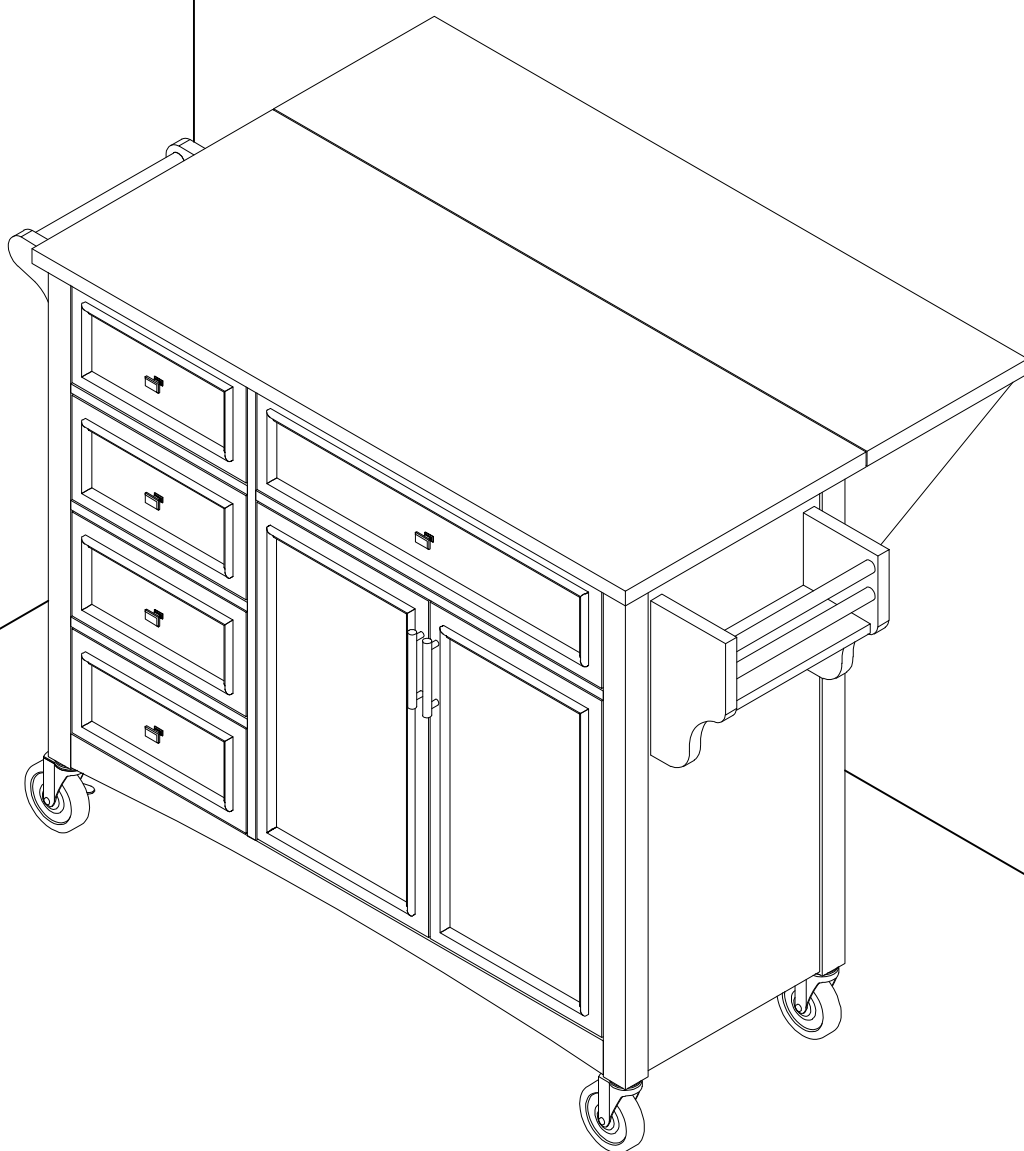


16		18PCS
17		3PCS



Assembly Instructions

Finish!

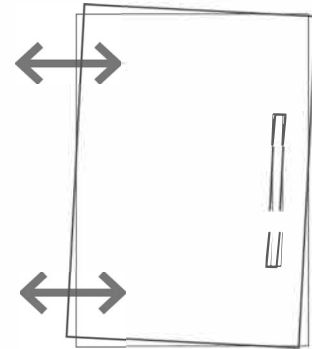


HINGE ADJUSTMENTS



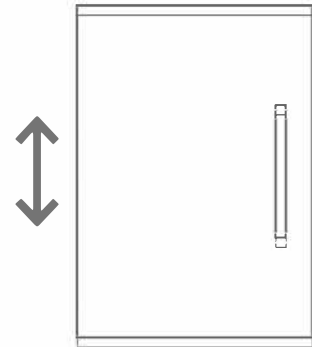
1 Sideways / Tilt adjustment

Turn the screw
clockwise to move the door further away from
the side of the cabinet
anticlockwise to move the door closer to the
side of the cabinet



2 4 Height adjustment

While supporting the weight of the door, turn the
screws
clockwise to move the door up
anticlockwise to move the door down



3 Forward and back adjustment

If the gap between the back of the door and the
cabinet is too small, and the door may not close
fully. Turn the screw
clockwise to decrease the gap between the
door and the cabinet
anticlockwise to increase the gap between the
door and the cabinet

