

ATTENTION

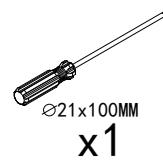
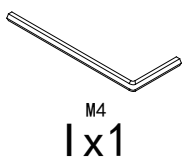
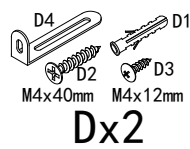
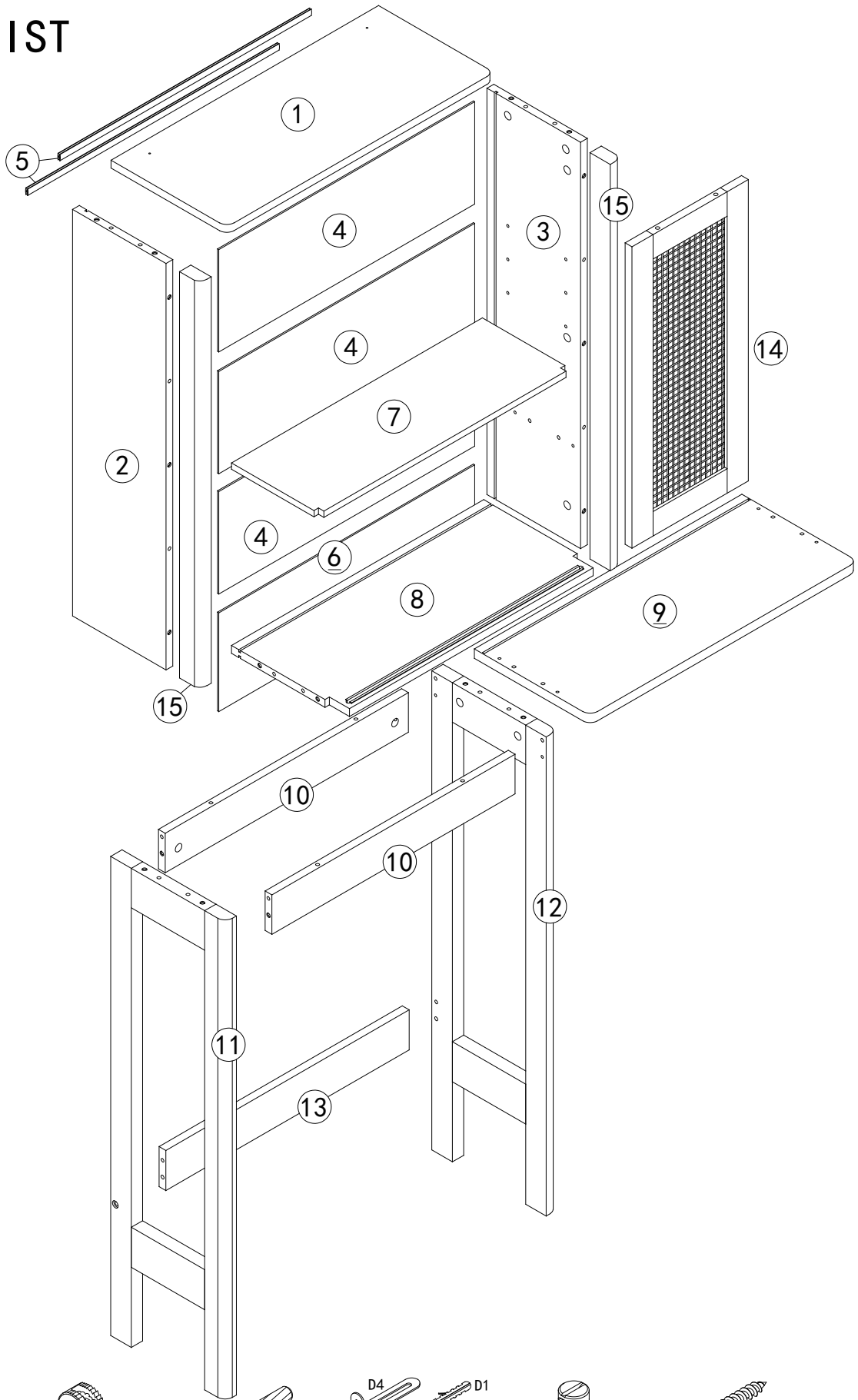
If there is any missing, please kindly send us messages to let us know the part number of missing part regarding to the first page of instructions.

Please also provide your full address, recipient name and contact phone number so that we can send replacement to you as soon as possible.

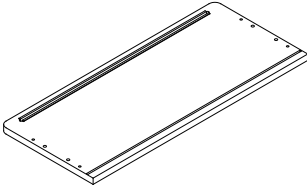
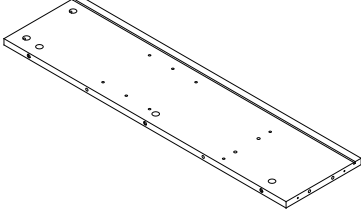
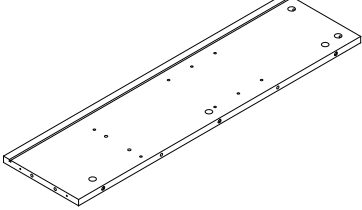
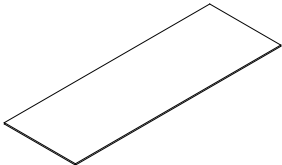
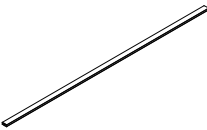
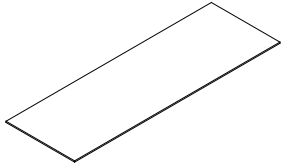
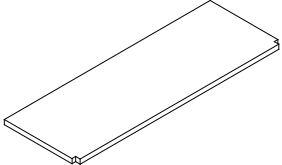
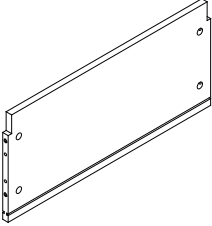
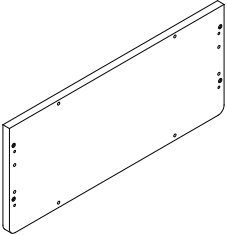
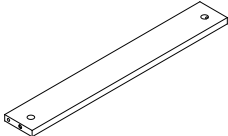
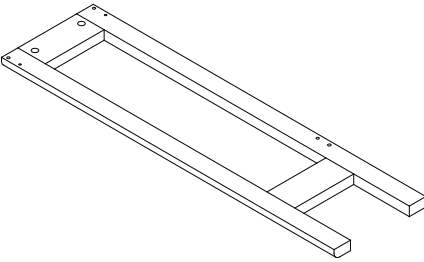
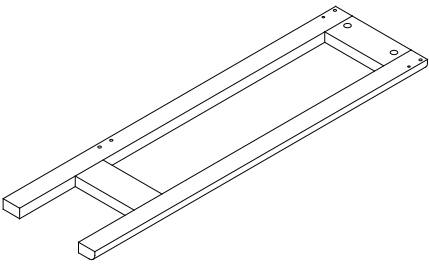
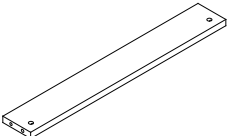
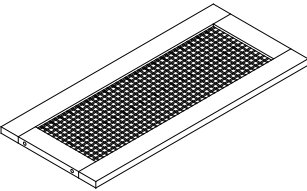
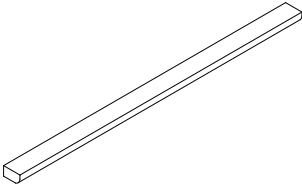
Children have died from furniture tipover. To reduce the risk of furniture tipover. ALWAYS install tipover restraint provided.



# PART LIST

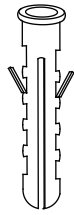


# PART LIST

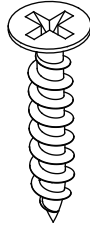
|   |  |   |
|---|--|---|
| 1 x1  | 2 x1   | 3 x1  |
|    |     |    |
| 4 x3  | 5 x2   | 6 x1  |
|    |     |    |
| 7 x1  | 8 x1   | 9 x1  |
|  |   |  |
| 10 x2   | 11 x1  | 12 x1   |
|  |  |  |
| 13 x1   | 14 x1  | 15 x2   |
|  |   |  |



D =



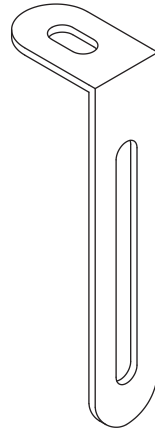
1



2

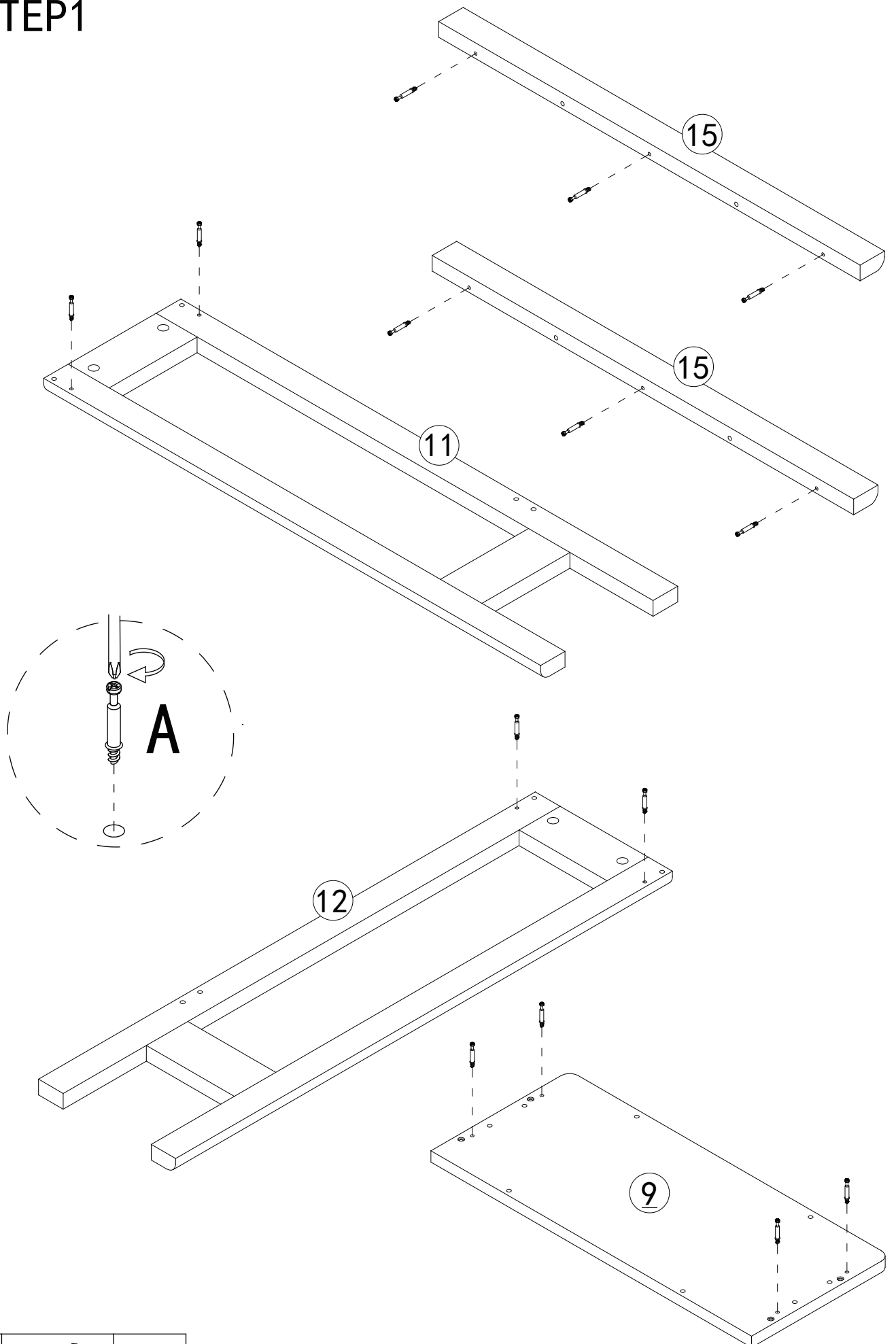


3

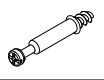


4

# STEP 1

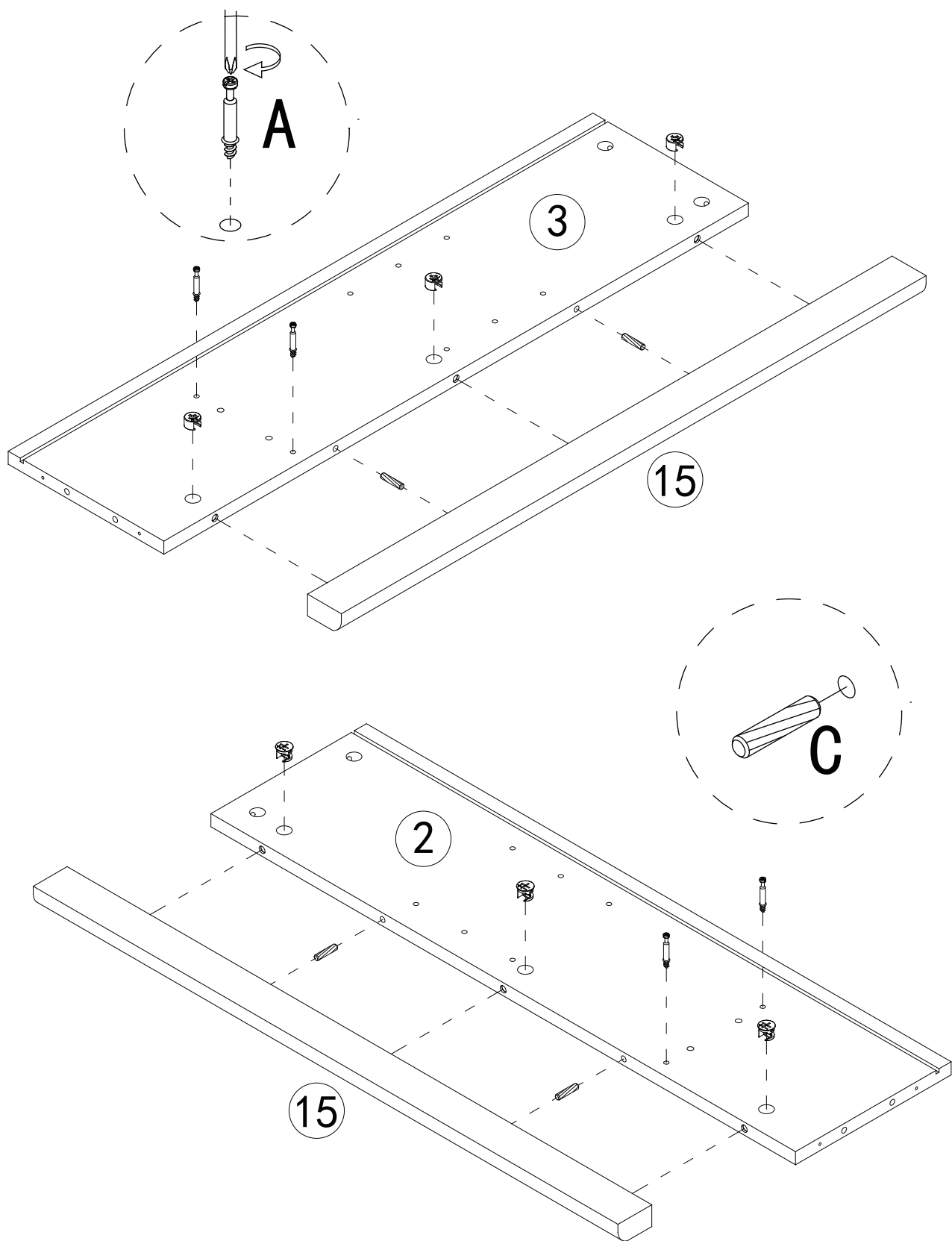




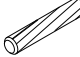
A

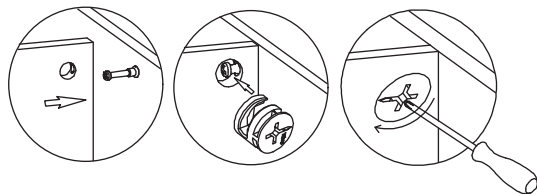


14pcs

# STEP 2

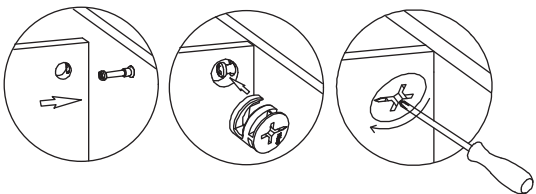
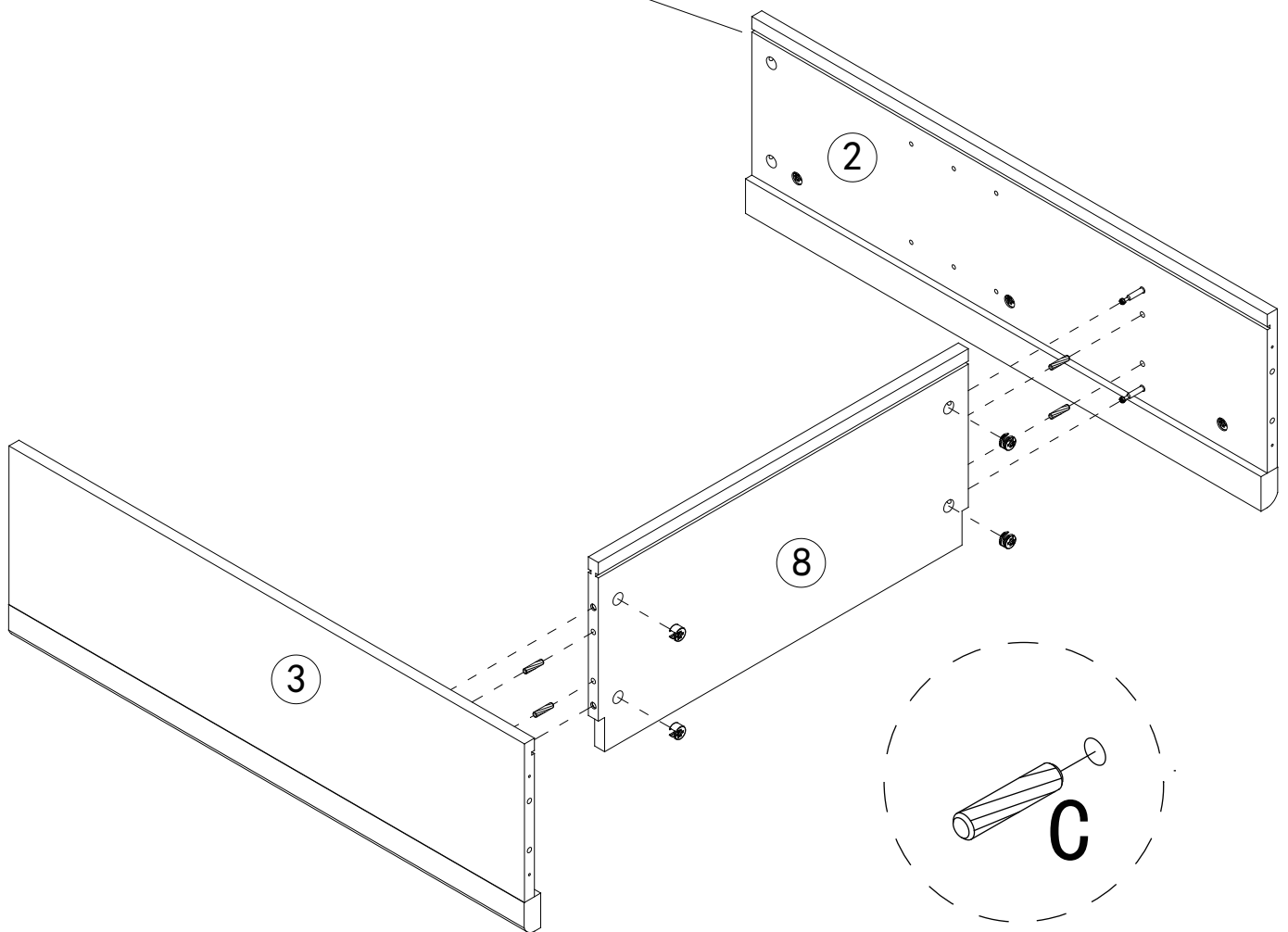




|   |   |      |
|---|---|------|
| A |  | 4pcs |
| B |  | 6pcs |
| C |  | 4pcs |



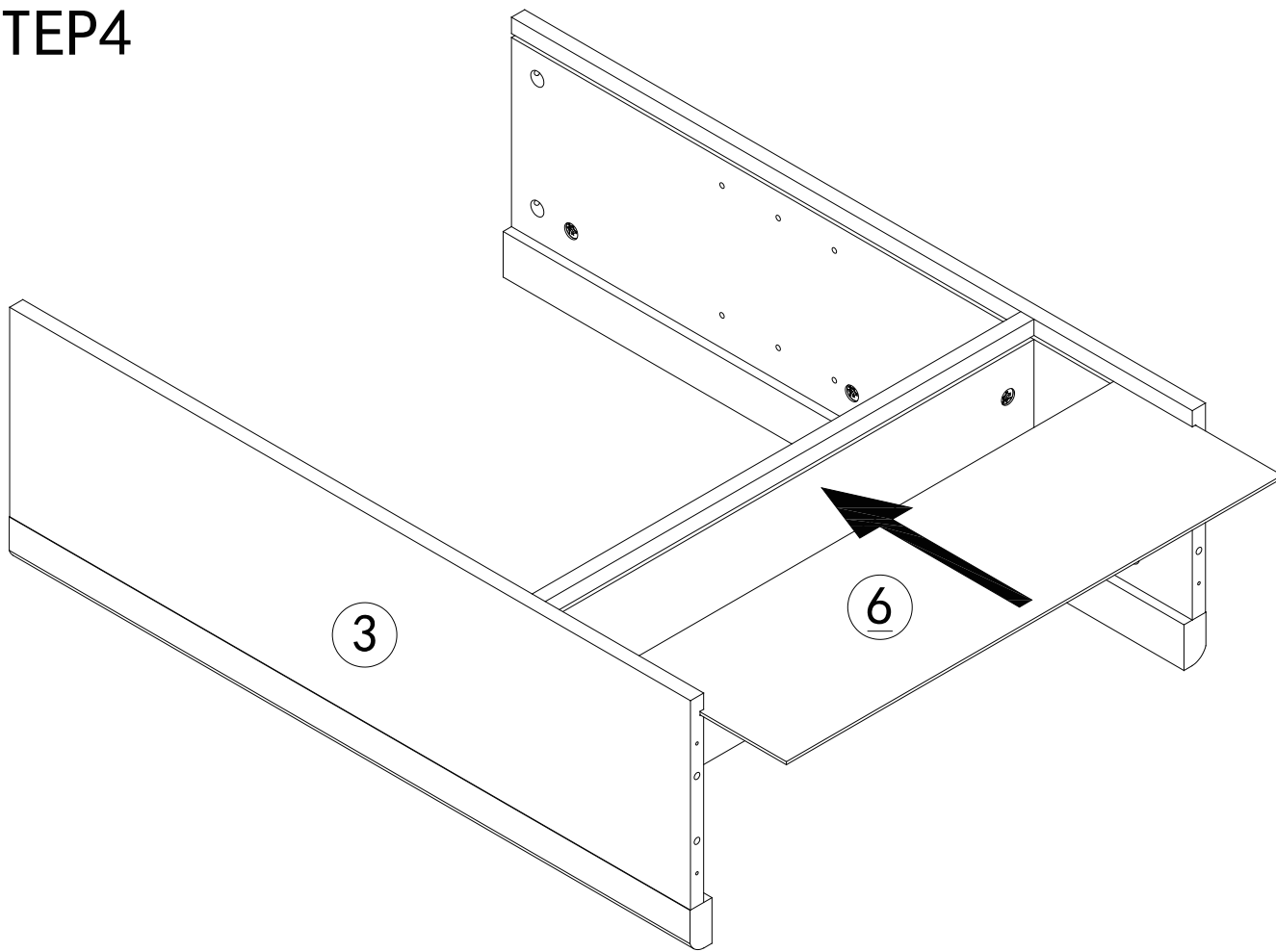
# STEP 3

The position of the pull groove is upward.

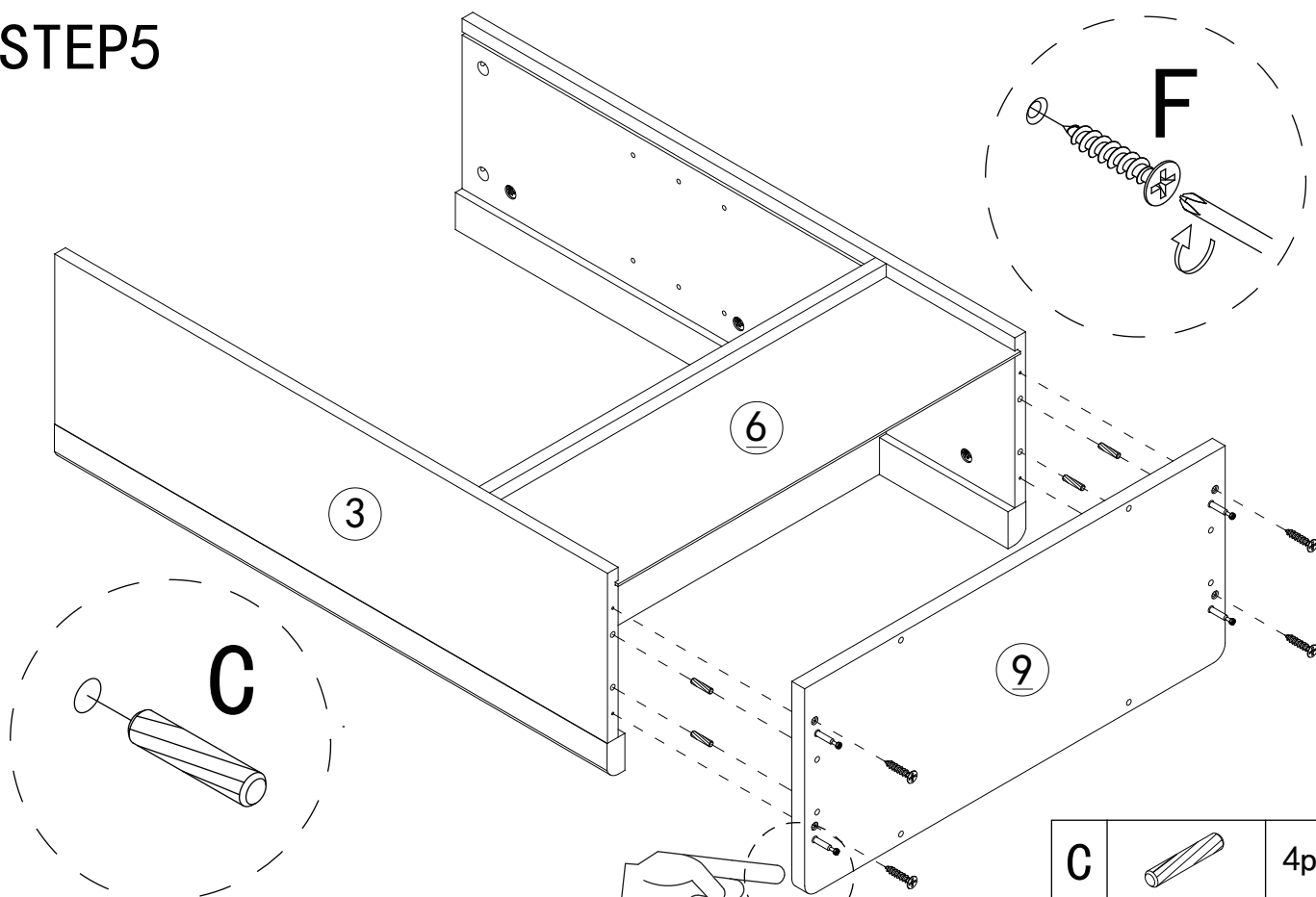


|          |   |      |
|----------|---|------|
| <b>B</b> |  | 4pcs |
| <b>C</b> |  | 4pcs |

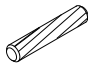

# STEP 4



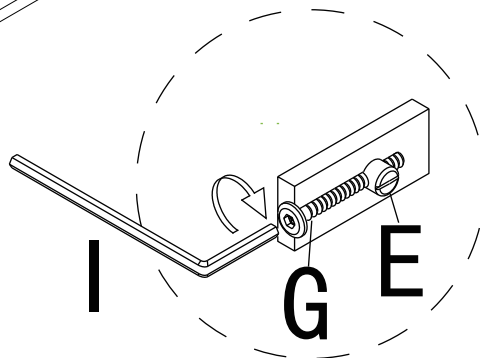
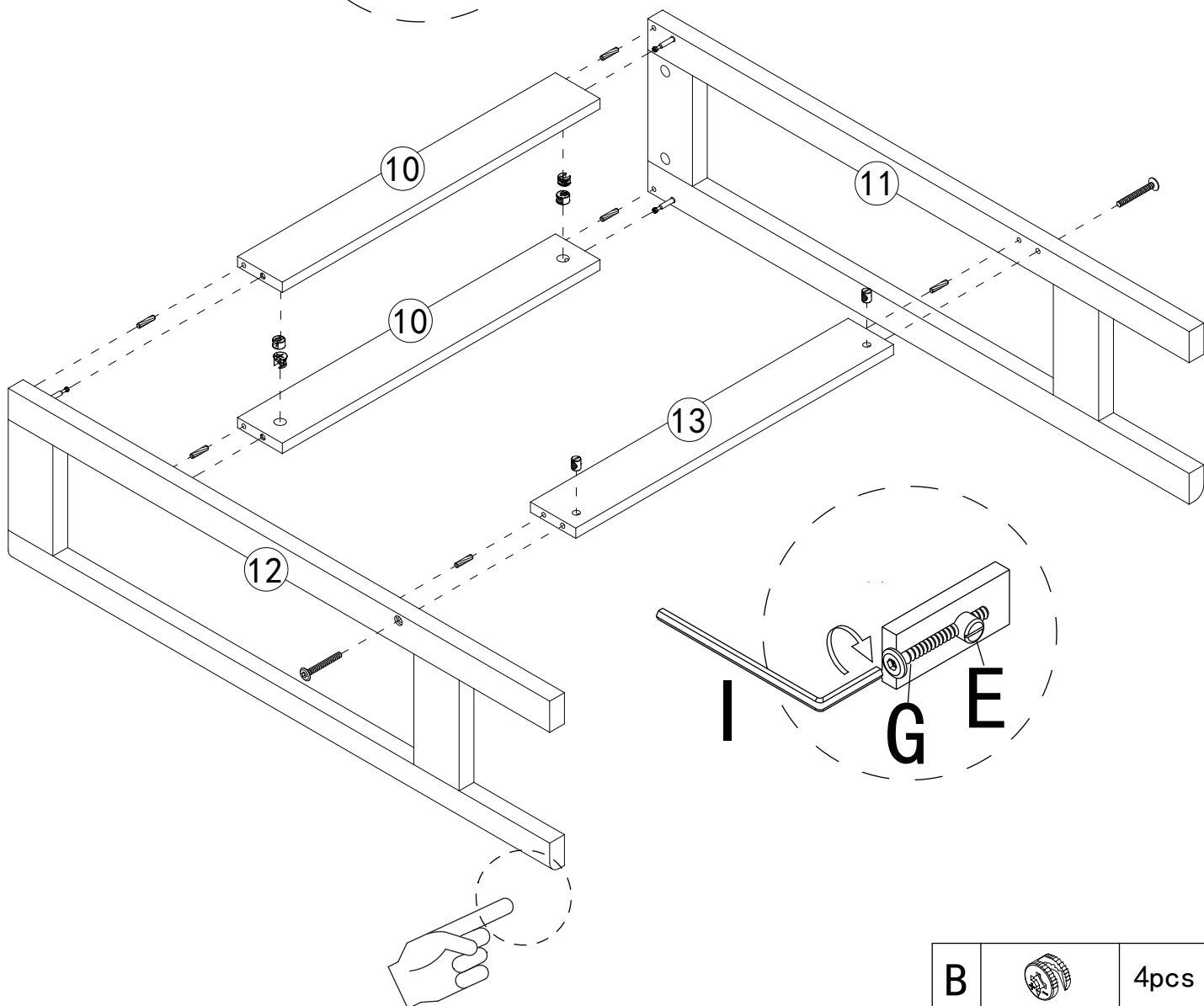
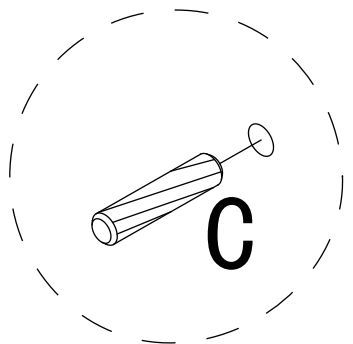
# STEP 5



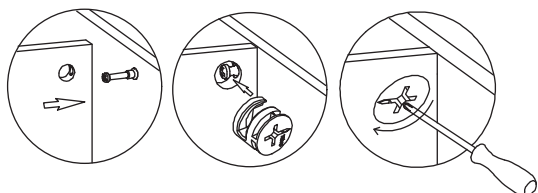
Rounded corners face down.

|   |   |      |
|---|---|------|
| C |  | 4pcs |
| F |  | 4pcs |

# STEP 6



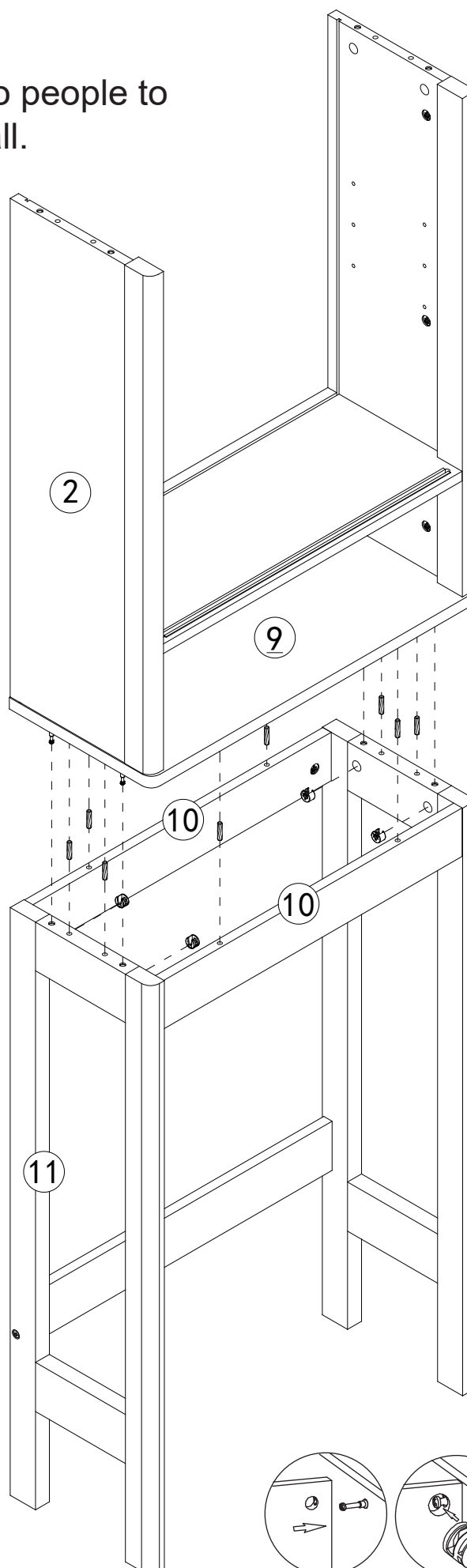
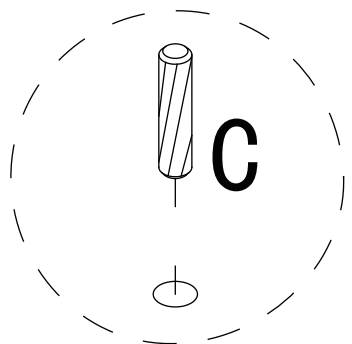
Rounded corners face down.


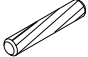


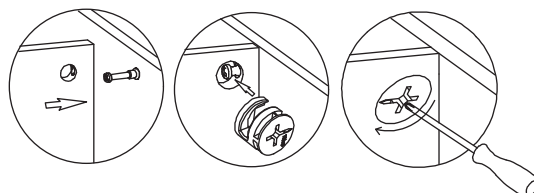
|   |  |      |
|---|--|------|
| B |  | 4pcs |
| C |  | 6pcs |
| G |  | 2pcs |
| E |  | 2pcs |
| I |  | 1pc  |

# STEP 7

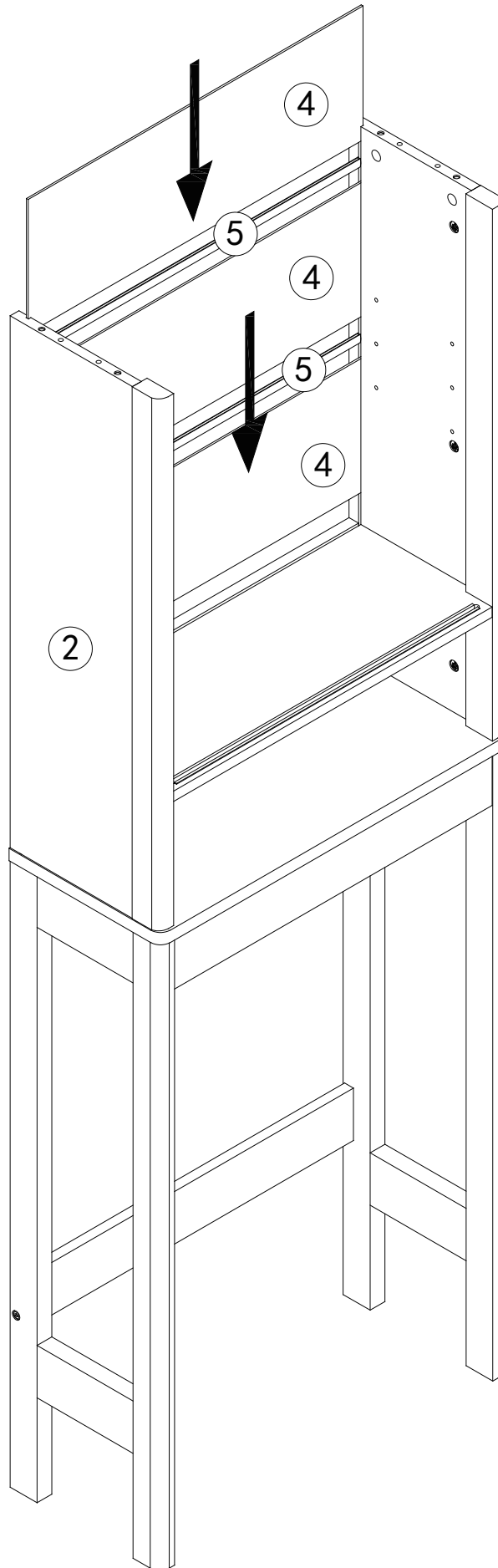
This step requires two people to work together to install.



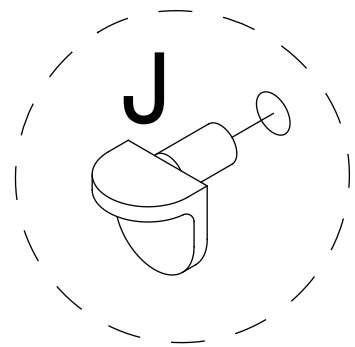
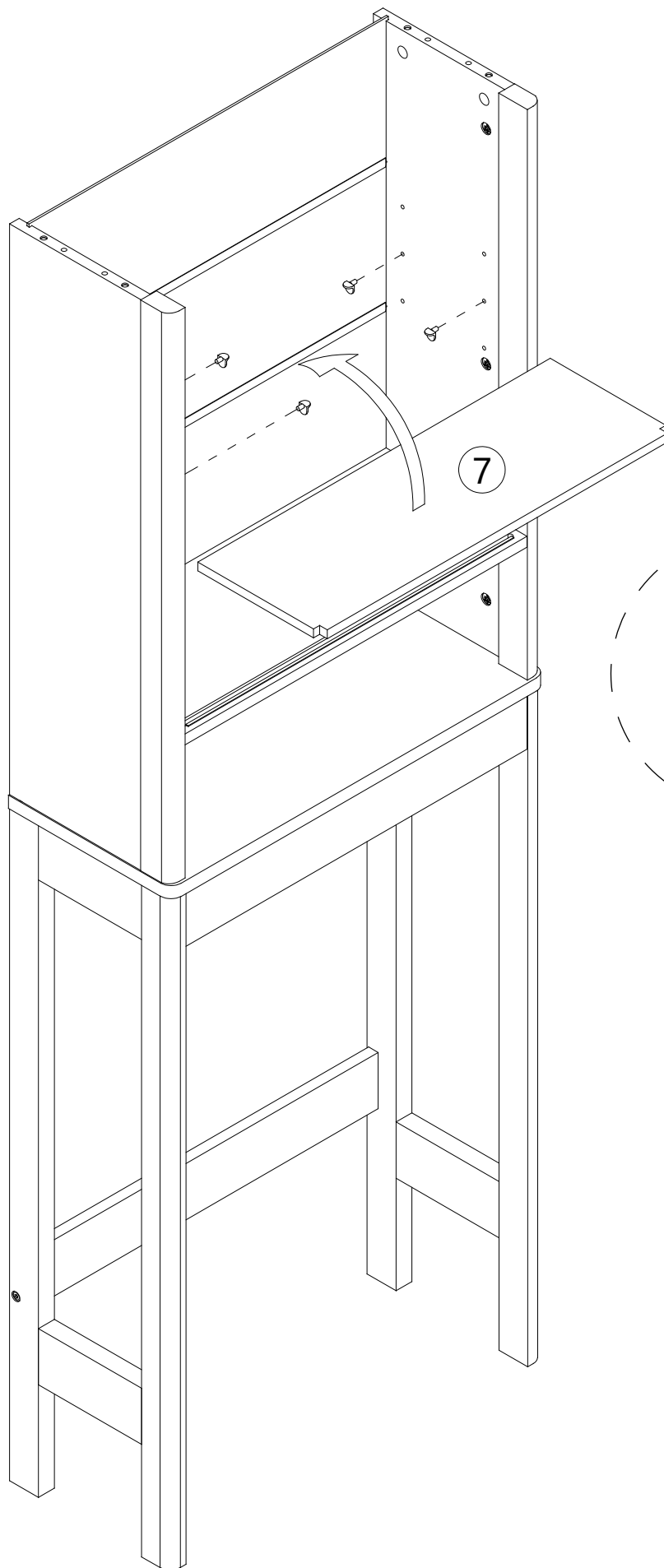
|   |   |      |
|---|---|------|
| B |  | 4pcs |
| C |  | 8pcs |



# STEP 8



# STEP 9

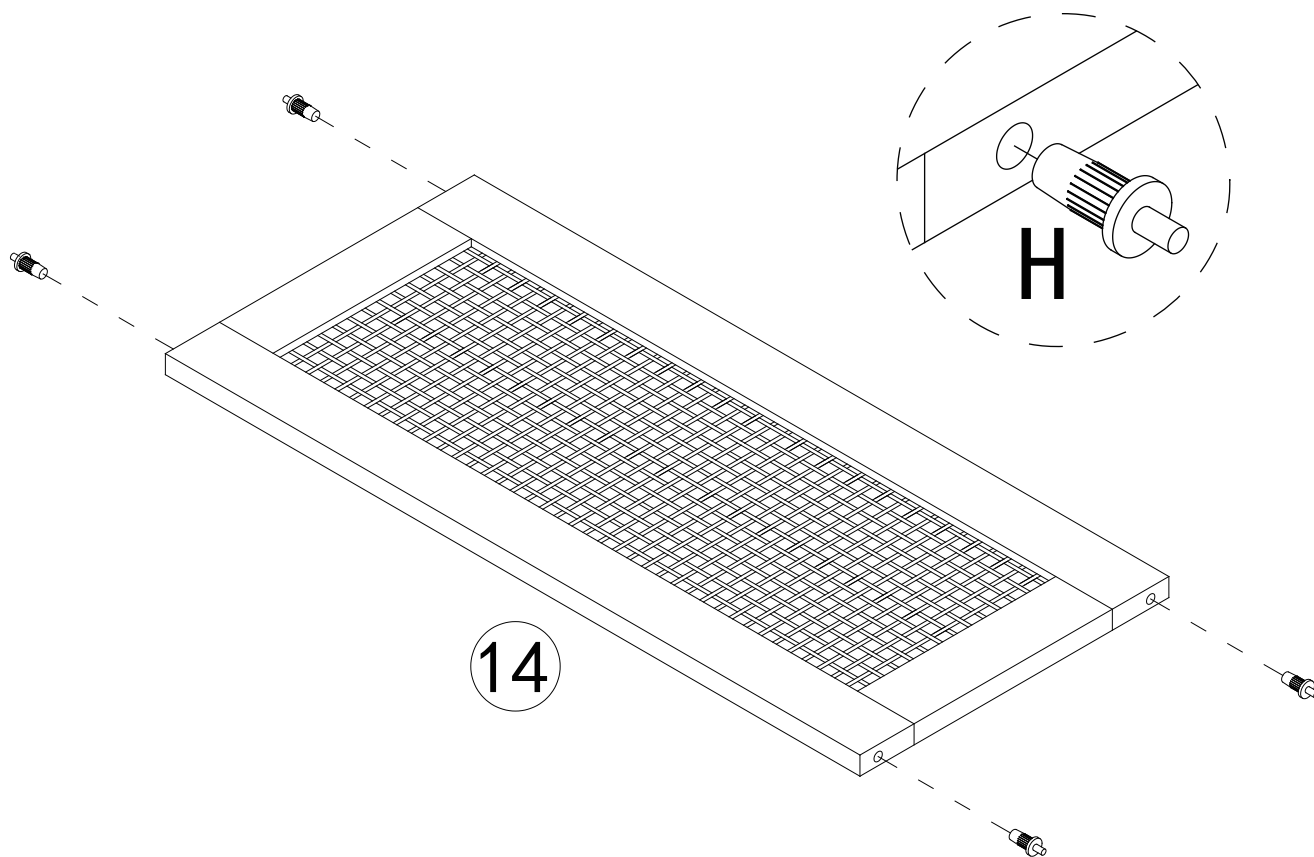



**J**



4pcs

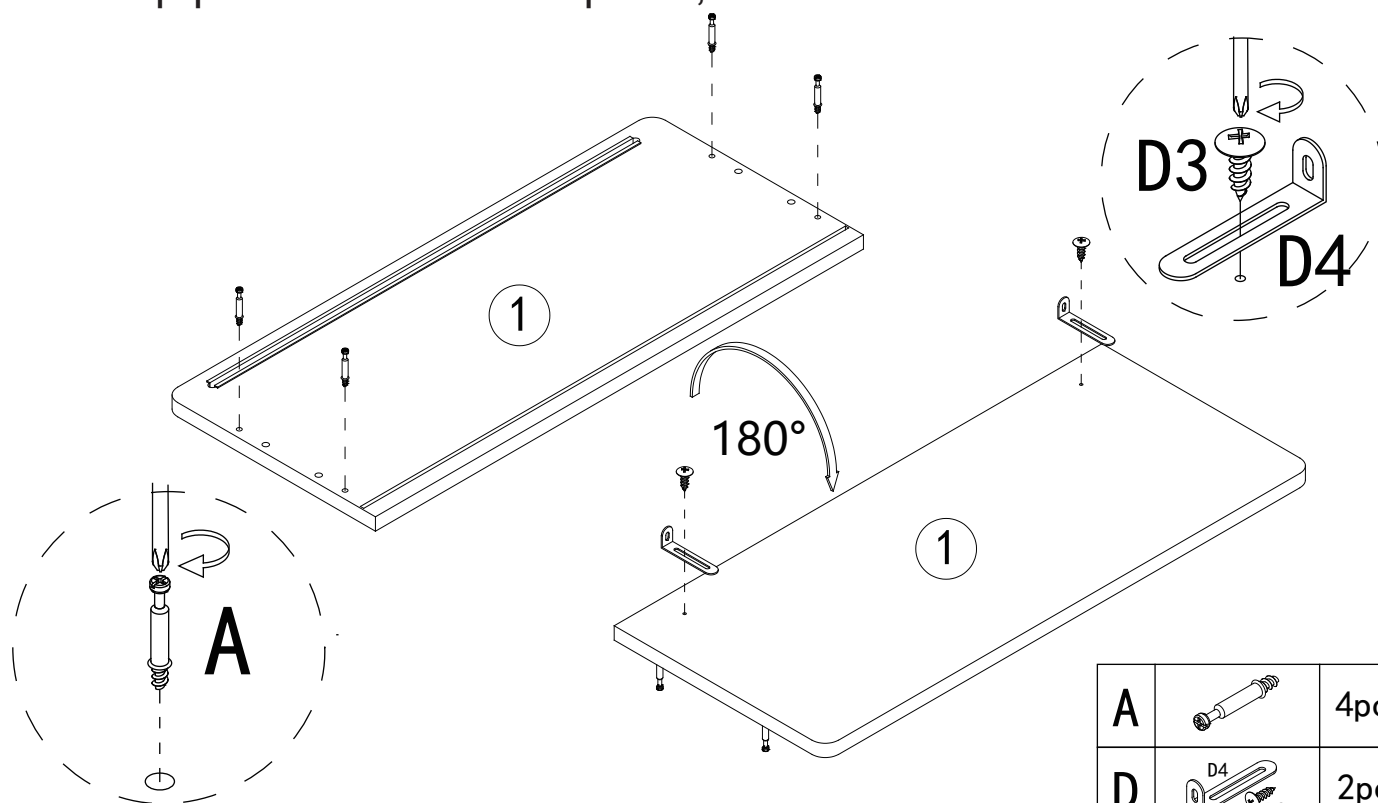
# STEP10

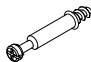
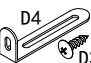


|   |   |      |
|---|---|------|
| H |  | 4pcs |
|---|---|------|

# STEP11

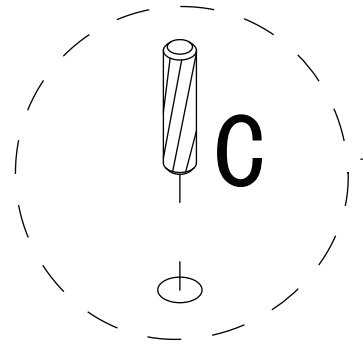
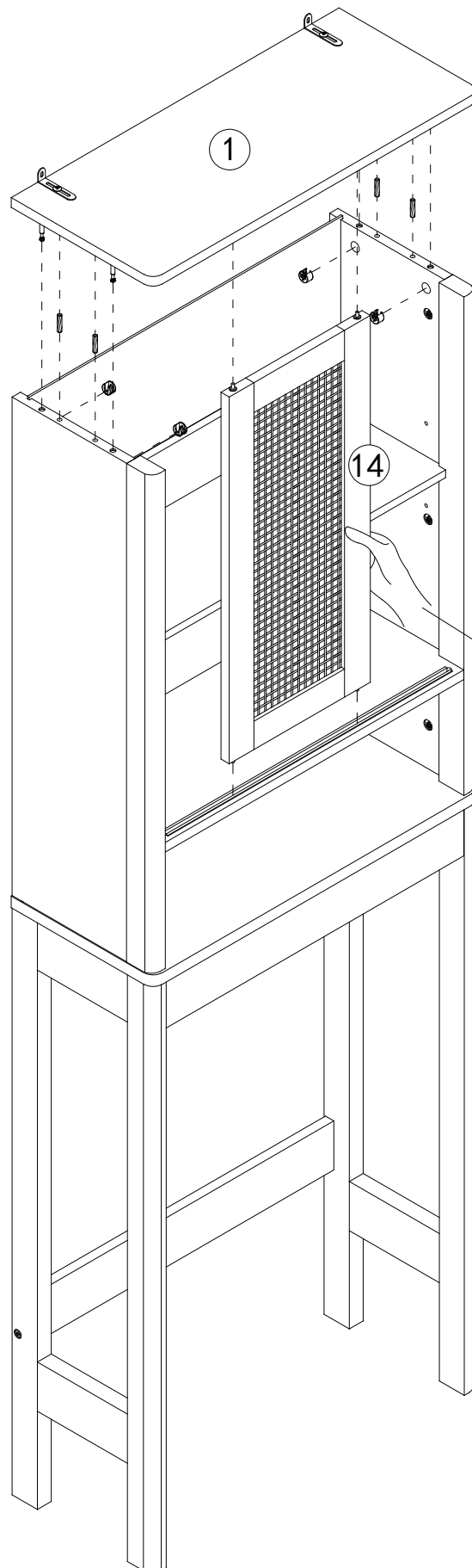
Note: Place the anti-tip device D4 at the rear top position of the side panel, and secure it with screw D3.





|   |   |      |
|---|---|------|
| A |  | 4pcs |
| D |  | 2pcs |

# STEP 12

This step requires two people to work together to install.

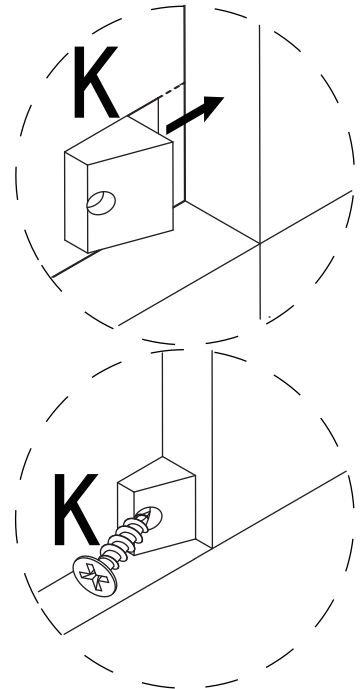
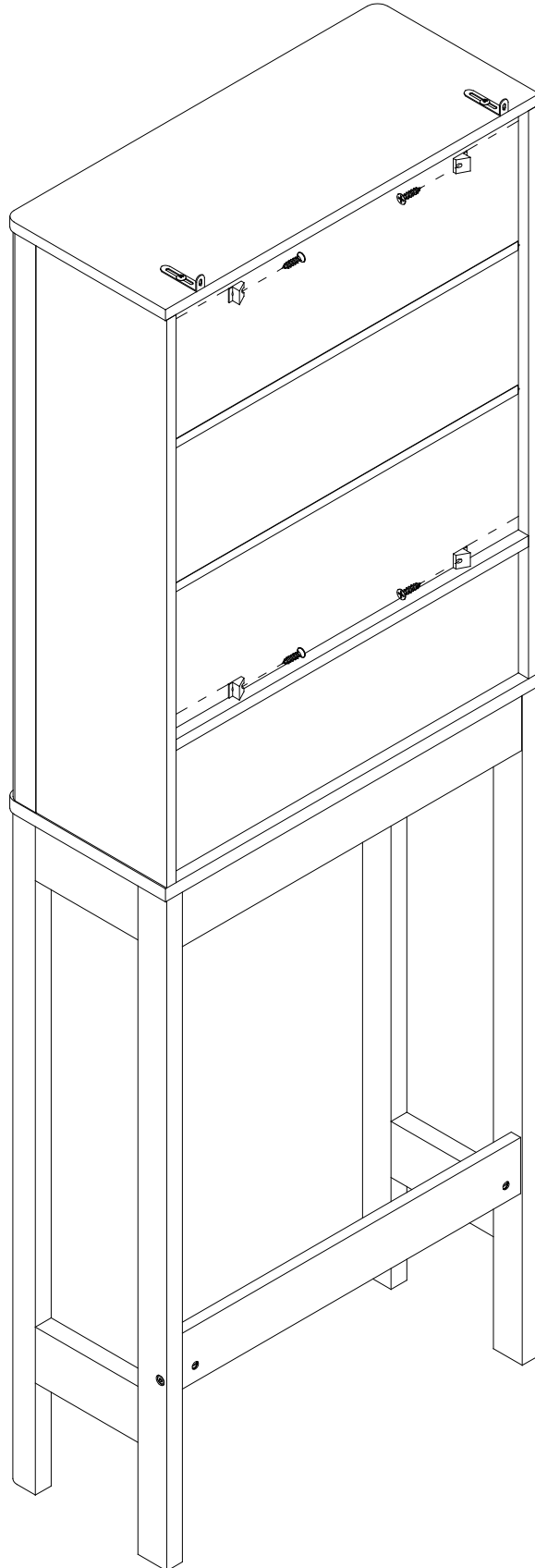


Hand support is required.

|   |   |      |
|---|---|------|
| B |  | 4pcs |
| C |  | 4pcs |

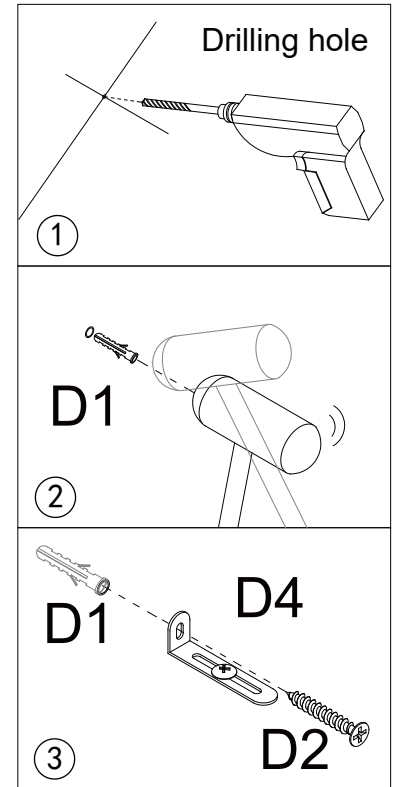
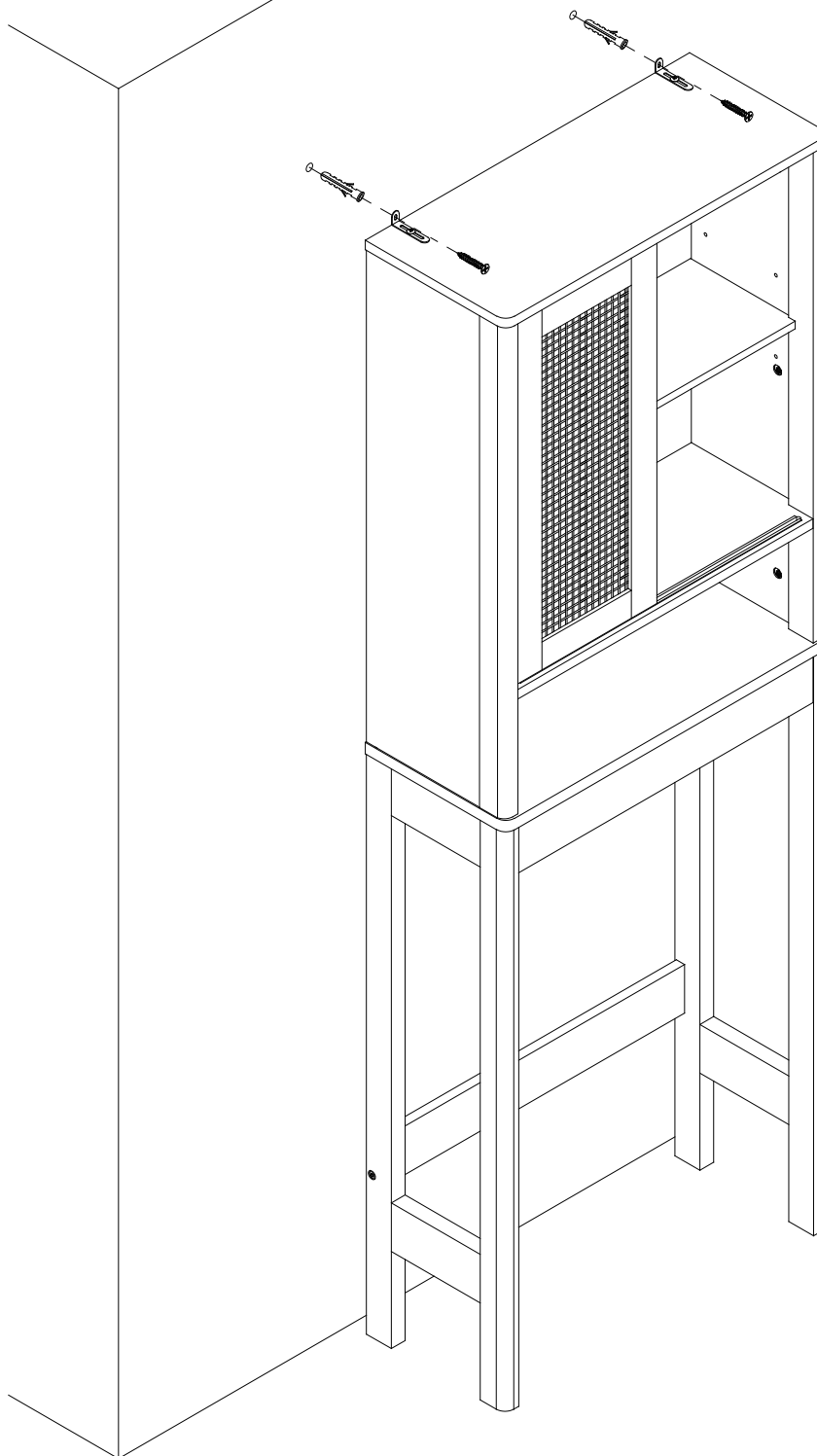
# STEP13

Be sure to install back plate buckle to prevent the cabinet from shaking.



|   |  |      |
|---|--|------|
| K |  | 4pcs |
|---|--|------|

# STEP14



Drill a hole in the wall, then hammer the D1 into the wall with a hammer.

Note: Follow step link D4 and D1 with a D2 using a screwdriver, and assembly it tightly.

Instructions for use: The cabinet legs should be designed to avoid lateral stress. When moving, please lift vertically off the ground.

Dragging may cause loose connectors, affecting stability and service life.

D



2pcs