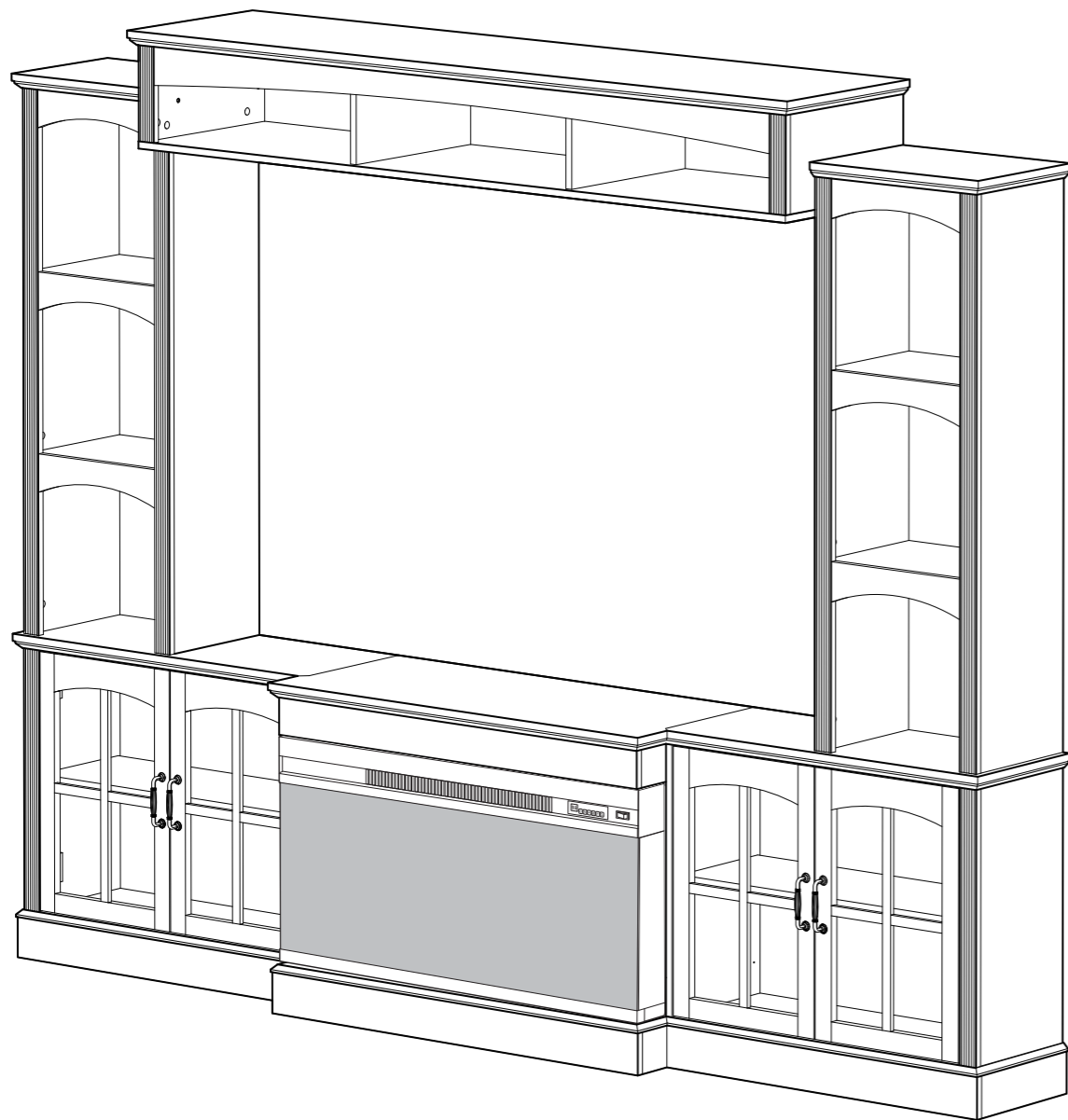


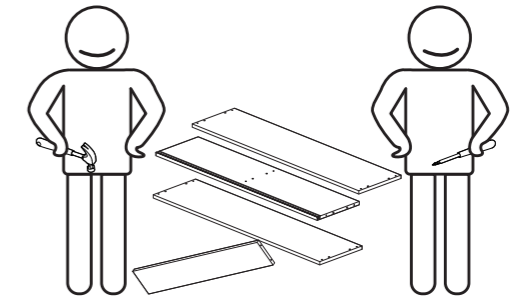
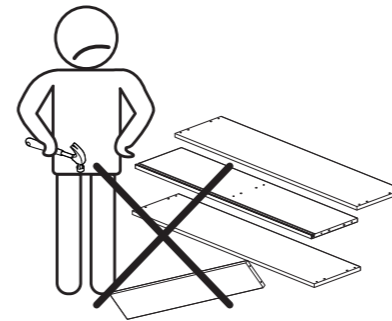
ASSEMBLY INSTRUCTIONS



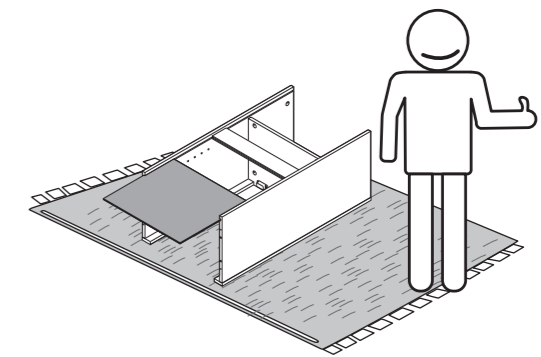
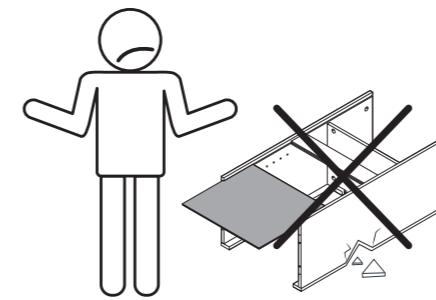
WARNING

Children have died from furniture tipover. To reduce the risk of furniture tipover:

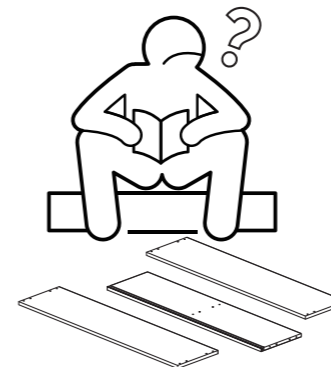
- ALWAYS install tipover restraint provided.
- NEVER allow children to stand, climb or hang on drawers, doors, or shelves.
- NEVER open more than one drawer at a time.
- Place heaviest items in the lowest drawer.

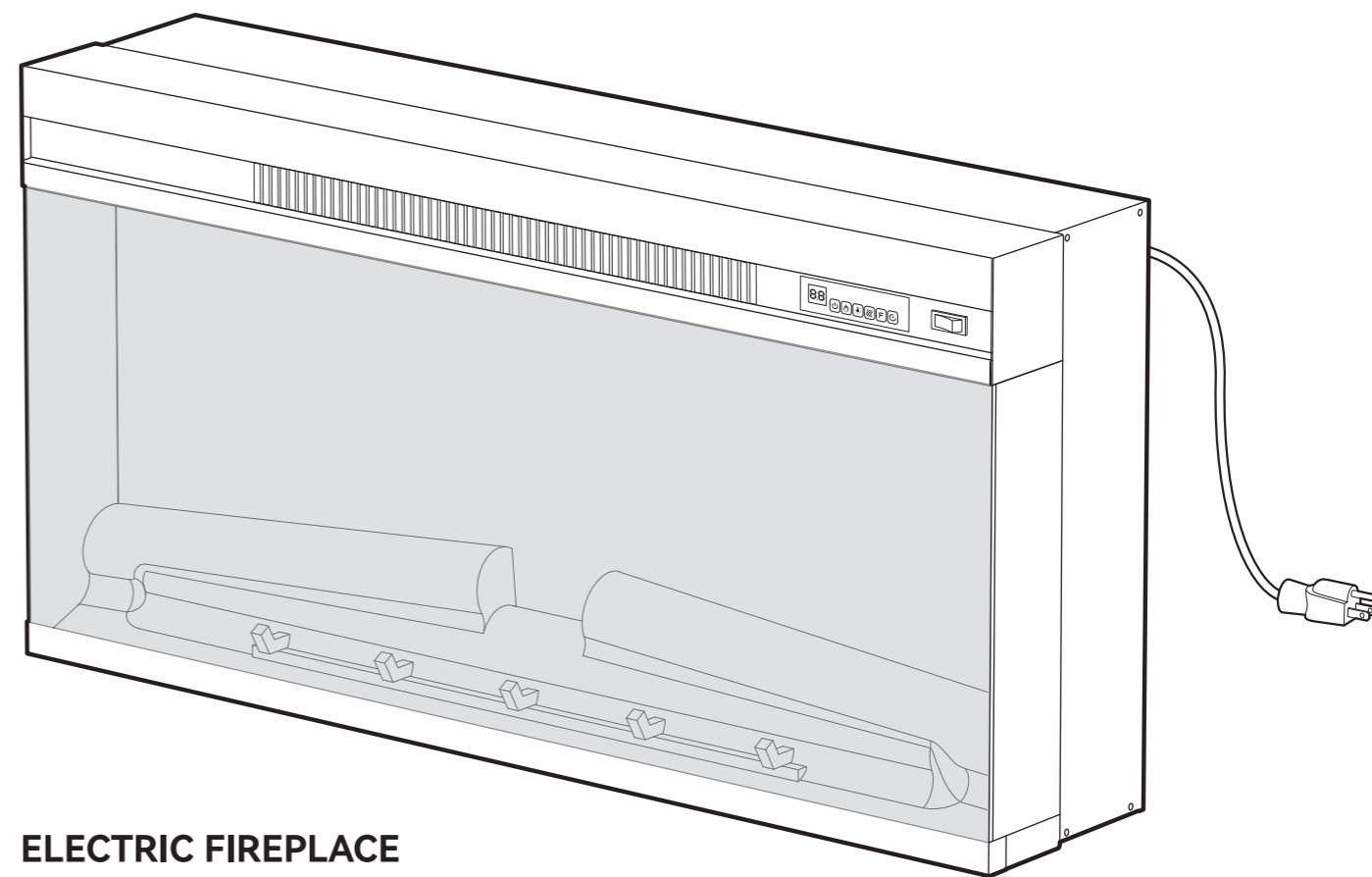
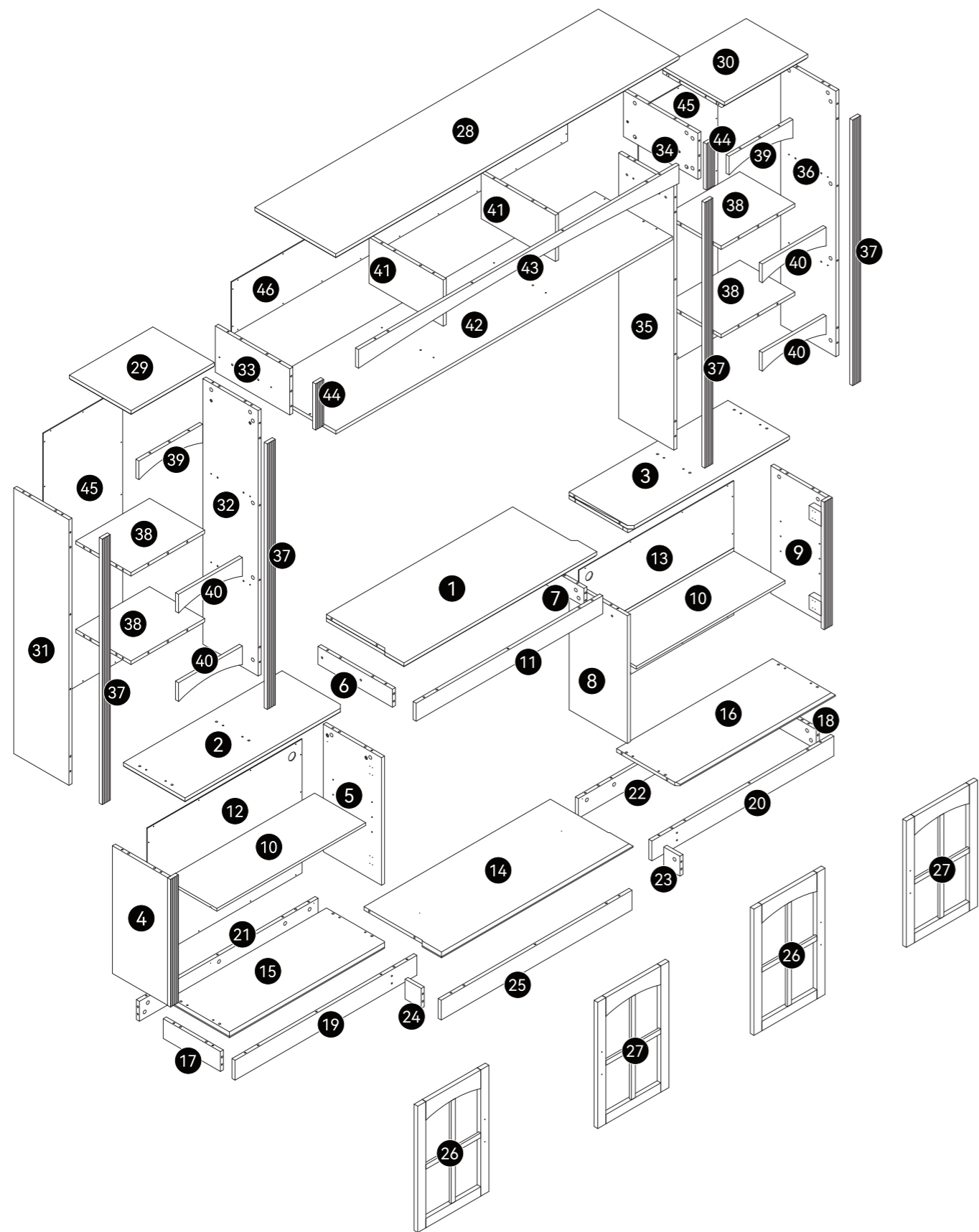


We recommend at least 2 people for the assembly.



To prevent any damage during assembly, place a mat under the pieces.

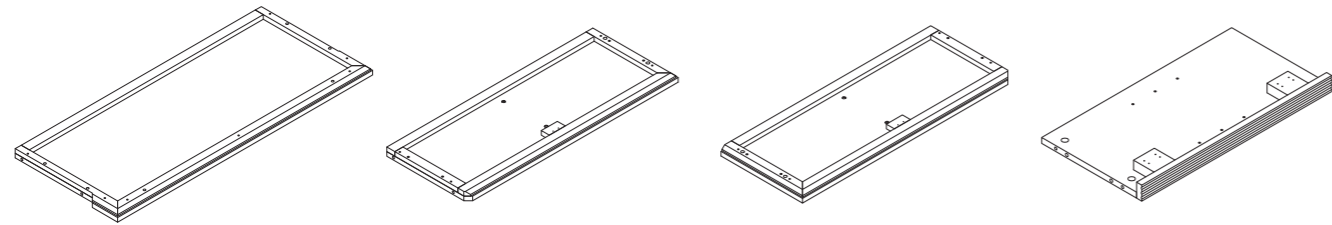




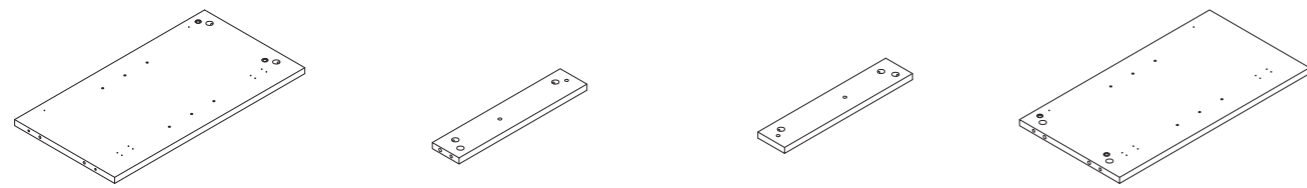
ELECTRIC FIREPLACE

The fireplace is delivered in a separate carton (Carton B).
Wait patiently for all four cartons to be arrived before assembling.

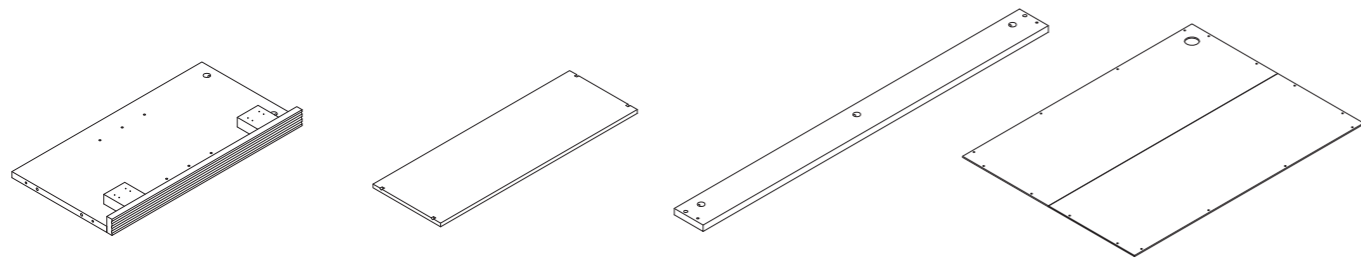
PARTS LIST



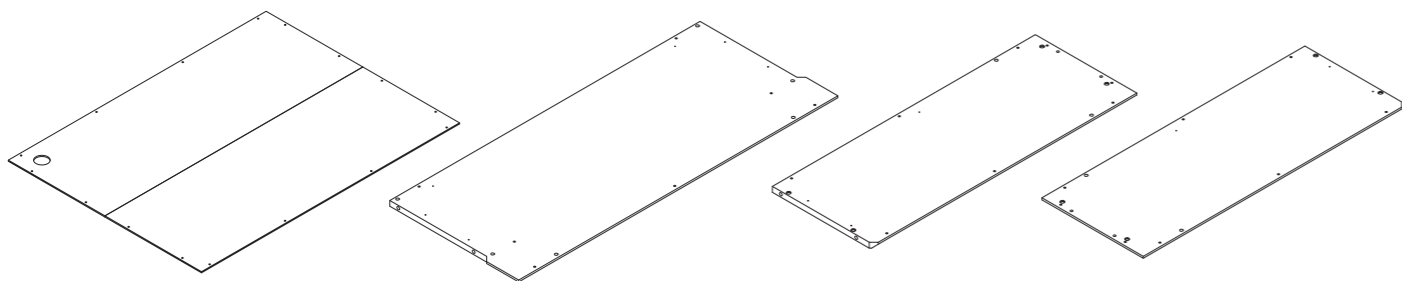
① x1 ② x1 ③ x1 ④ x1



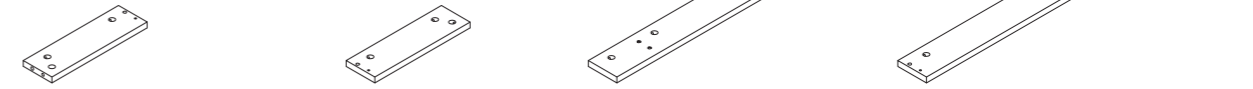
⑤ x1 ⑥ x1 ⑦ x1 ⑧ x1



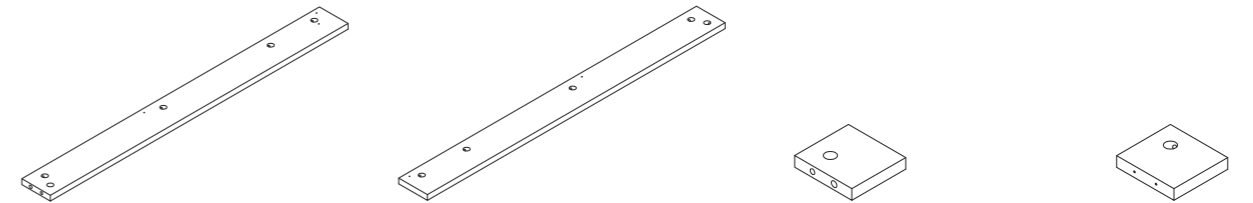
⑨ x1 ⑩ x2 ⑪ x1 ⑫ x1



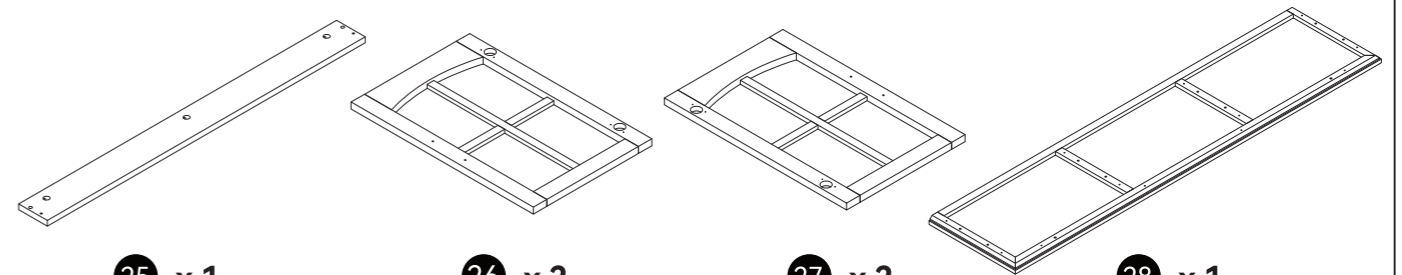
⑬ x1 ⑭ x1 ⑮ x1 ⑯ x1



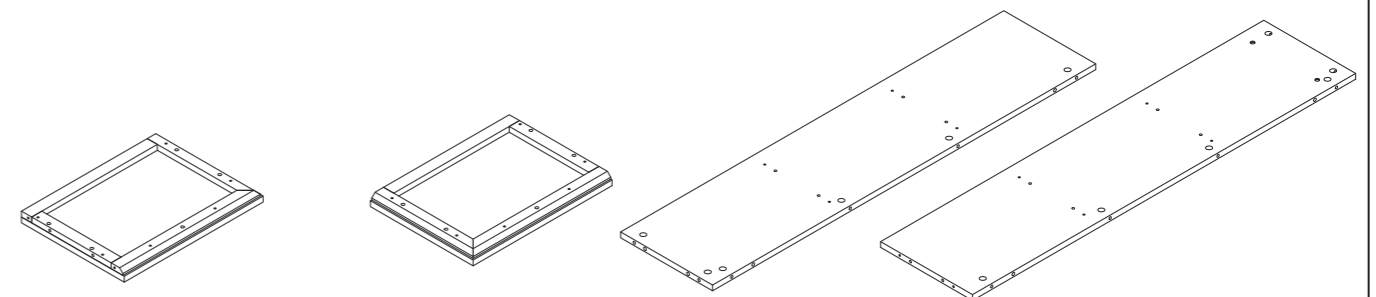
⑰ x1 ⑱ x1 ⑲ x1 ⑳ x1



㉑ x1 ㉒ x1 ㉓ x1 ㉔ x1



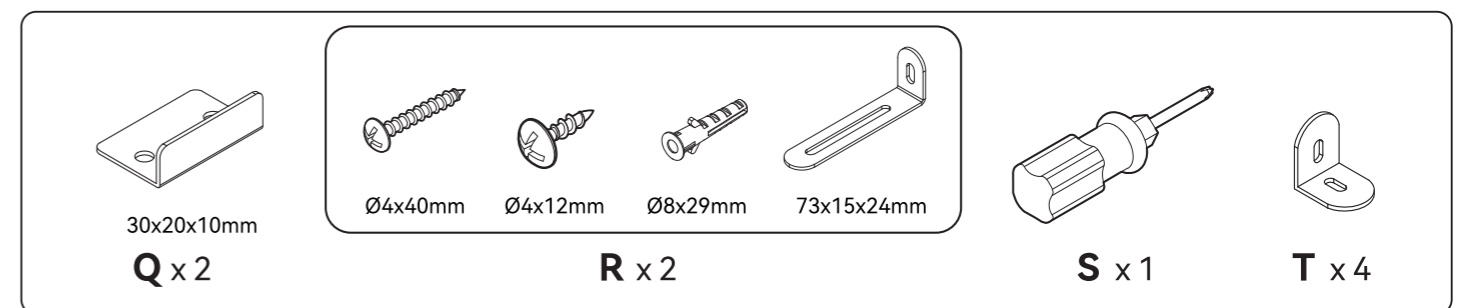
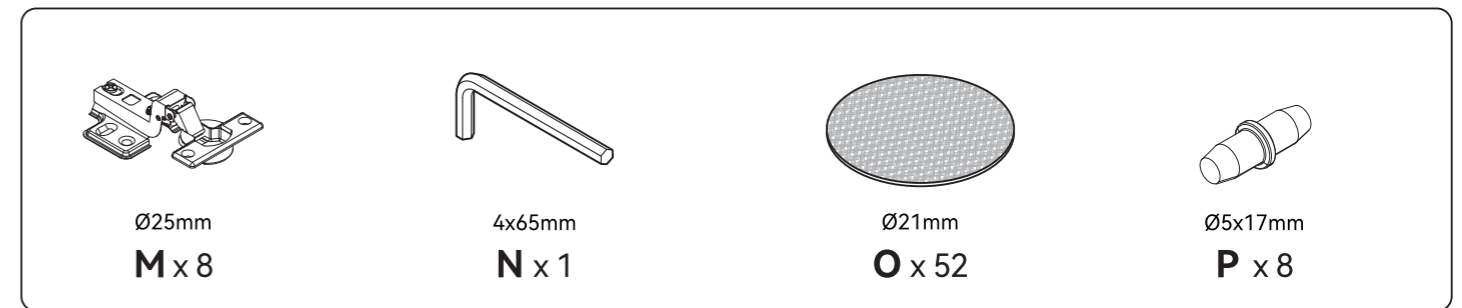
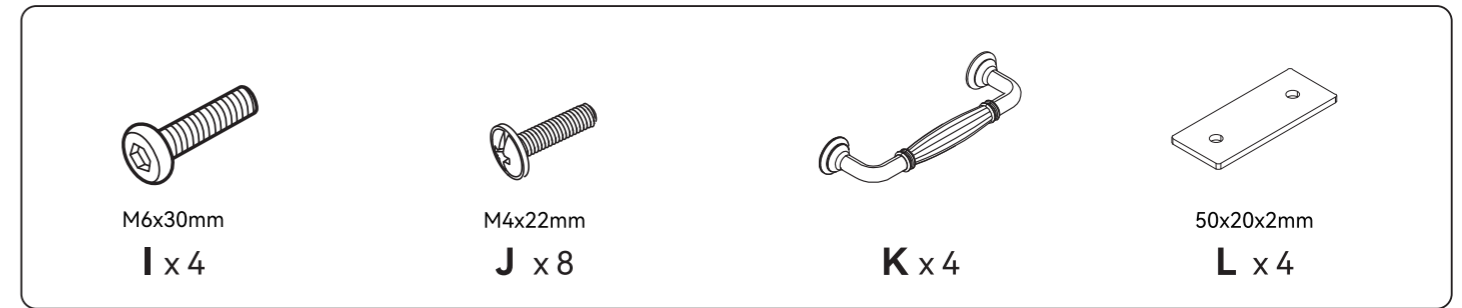
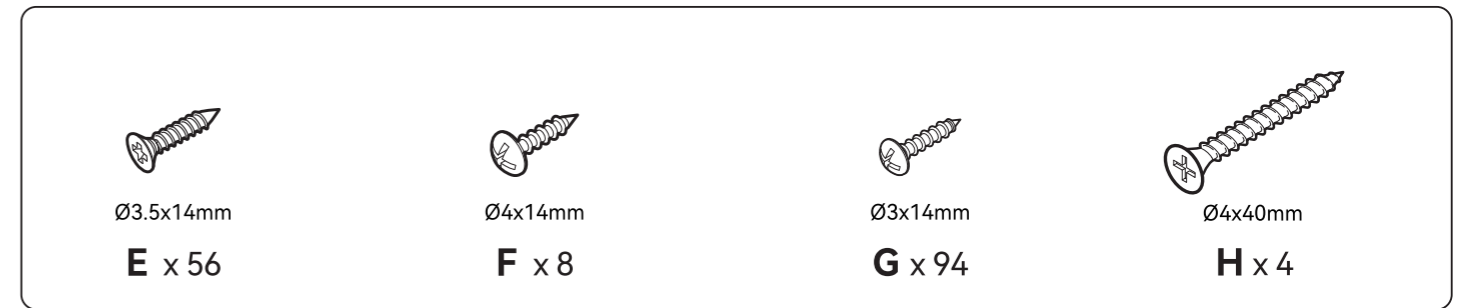
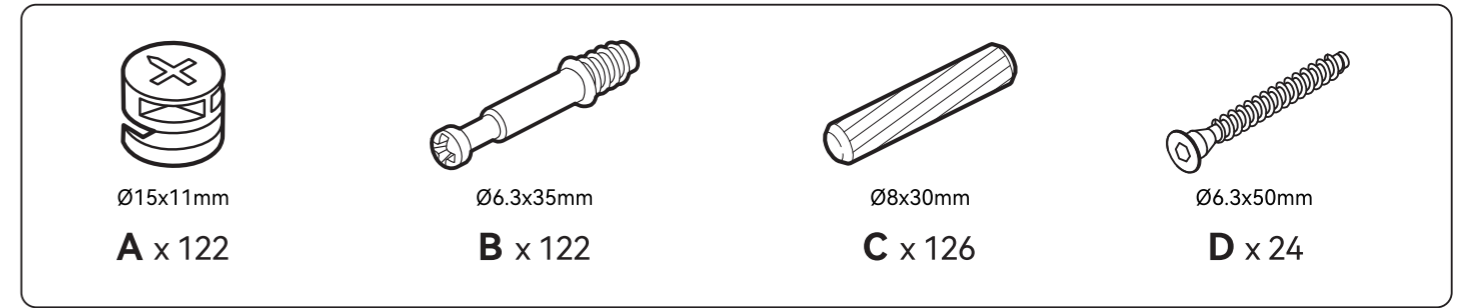
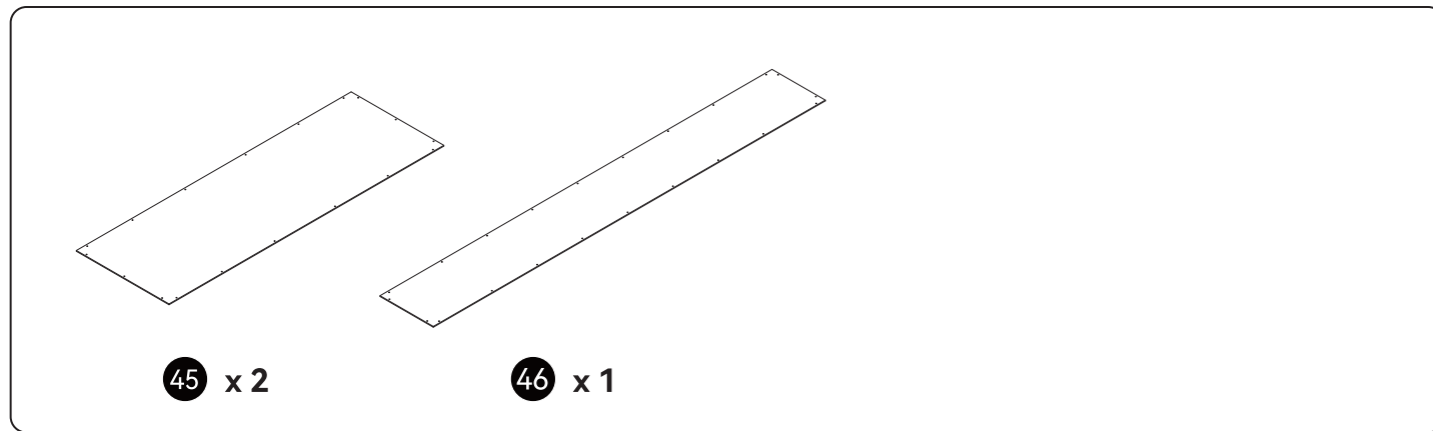
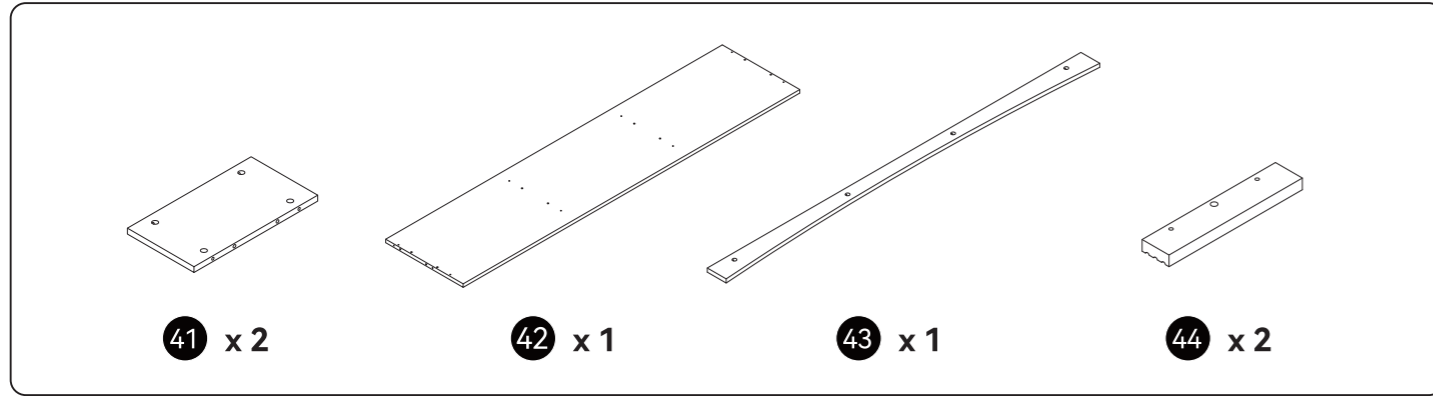
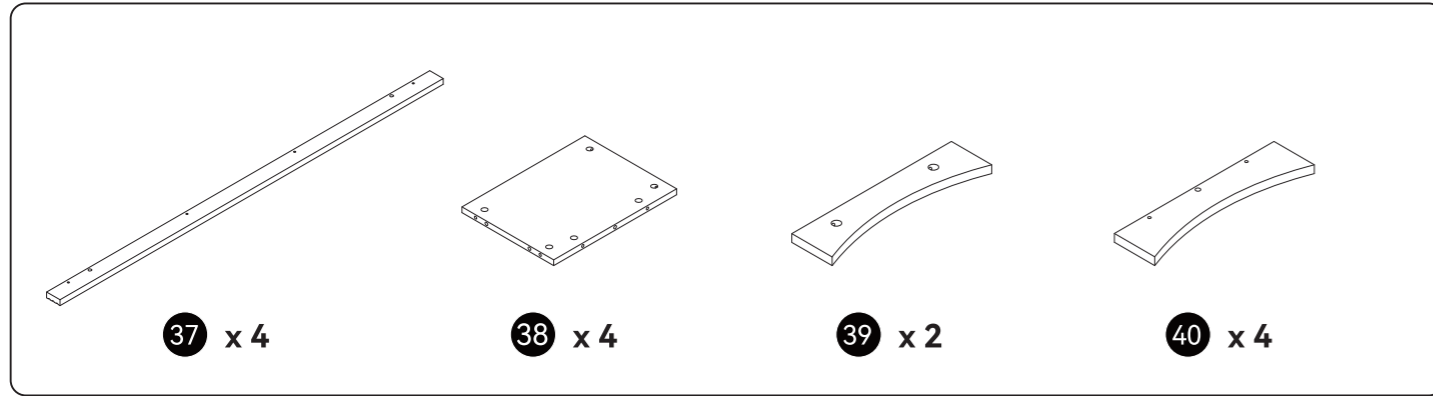
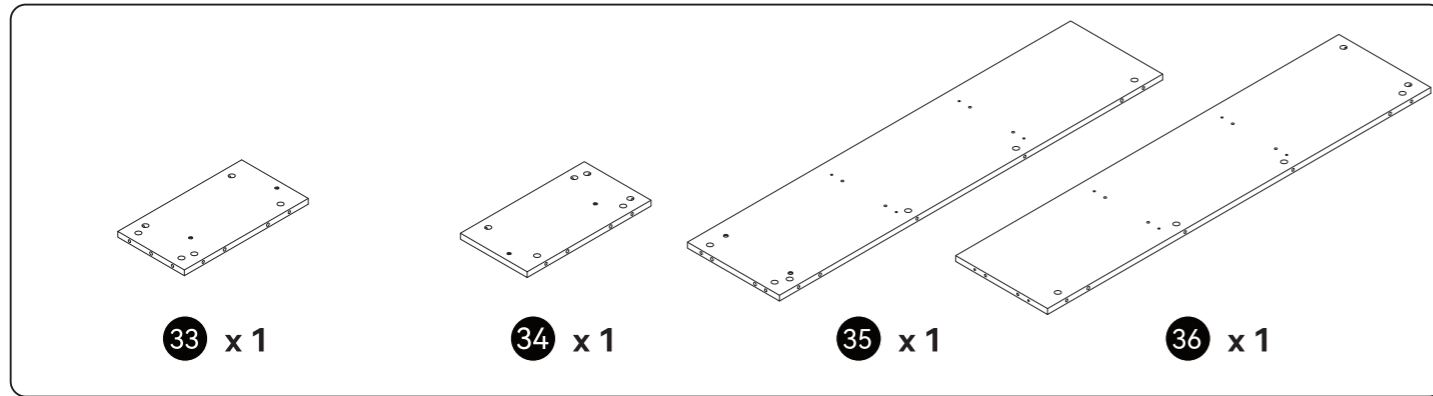
㉕ x1 ㉖ x2 ㉗ x2 ㉘ x1



㉙ x1 ㉚ x1 ㉛ x1 ㉜ x1

PARTS LIST

HARDWARES



SPARE PARTS



The spare parts are the additional parts provided in case of missing or damaged ones. Keep the spare parts and tools for future use.

CAM LOCK FASTEN SYSTEM

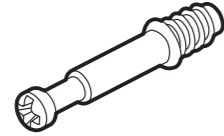


Insert the cam bolt into the hole, then insert the cam lock and tighten.



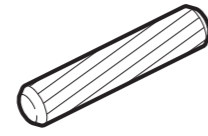
Ø15x11mm

A x 5



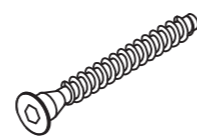
Ø6.3x35mm

B x 5



Ø8x30mm

C x 5



Ø6.3x50mm

D x 2



Ø3.5x14mm

E x 3



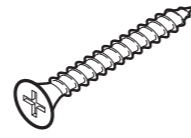
Ø4x14mm

F x 1



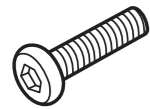
Ø3x14mm

G x 3



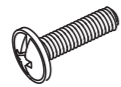
Ø4x40mm

H x 1



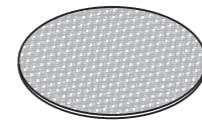
M6x30mm

I x 1



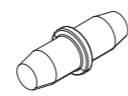
M4x22mm

J x 1



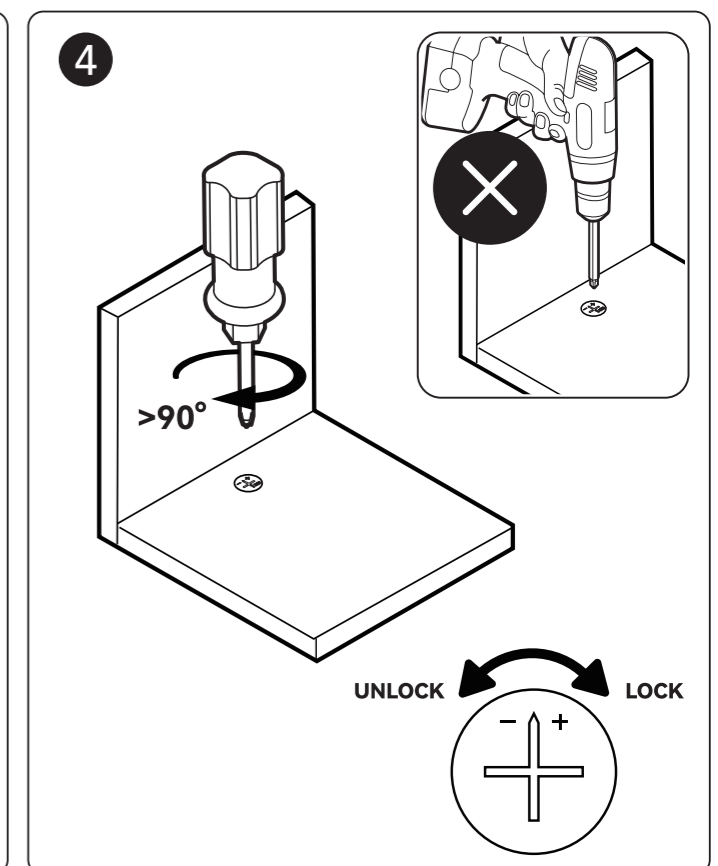
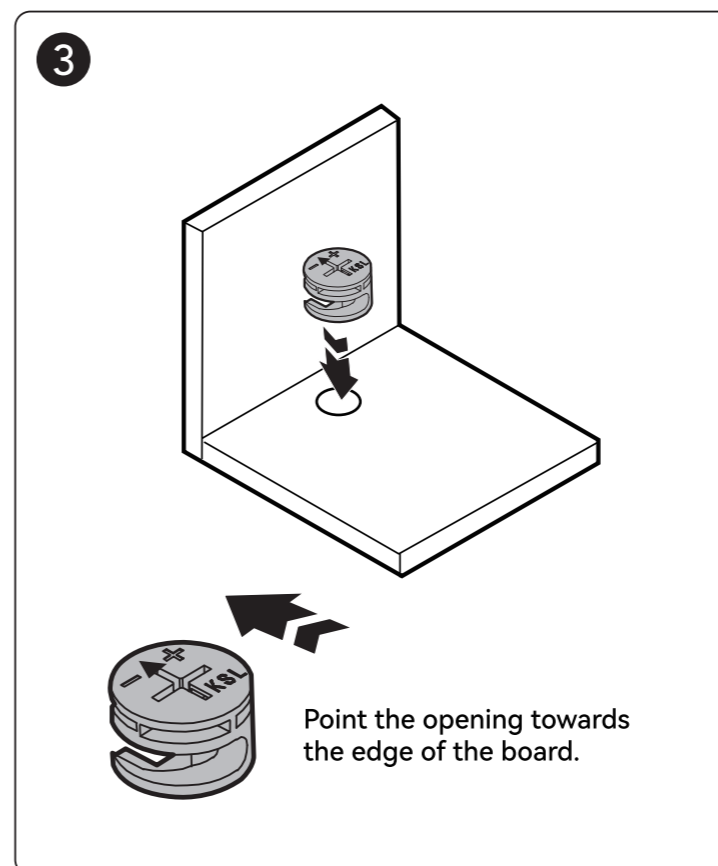
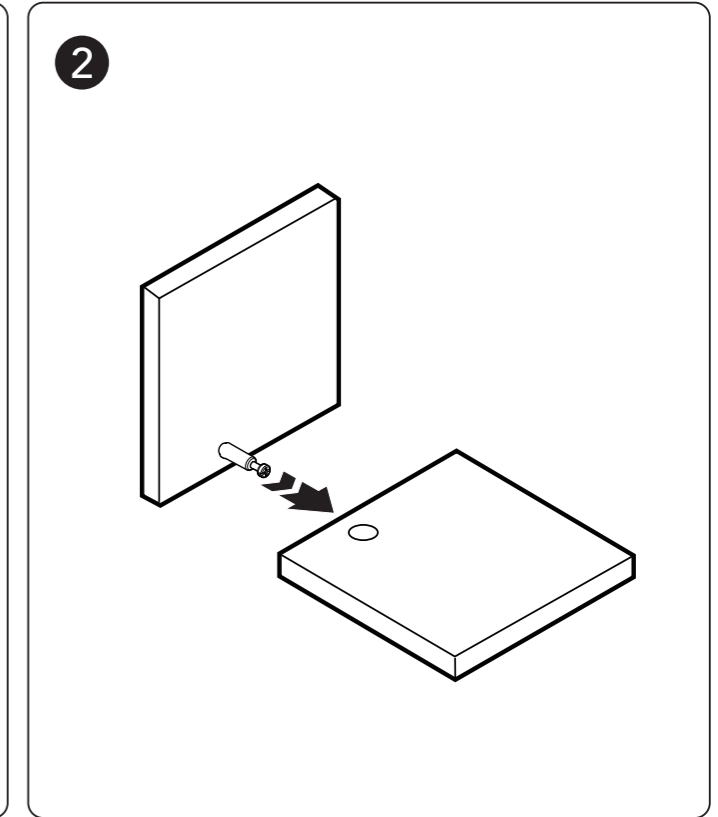
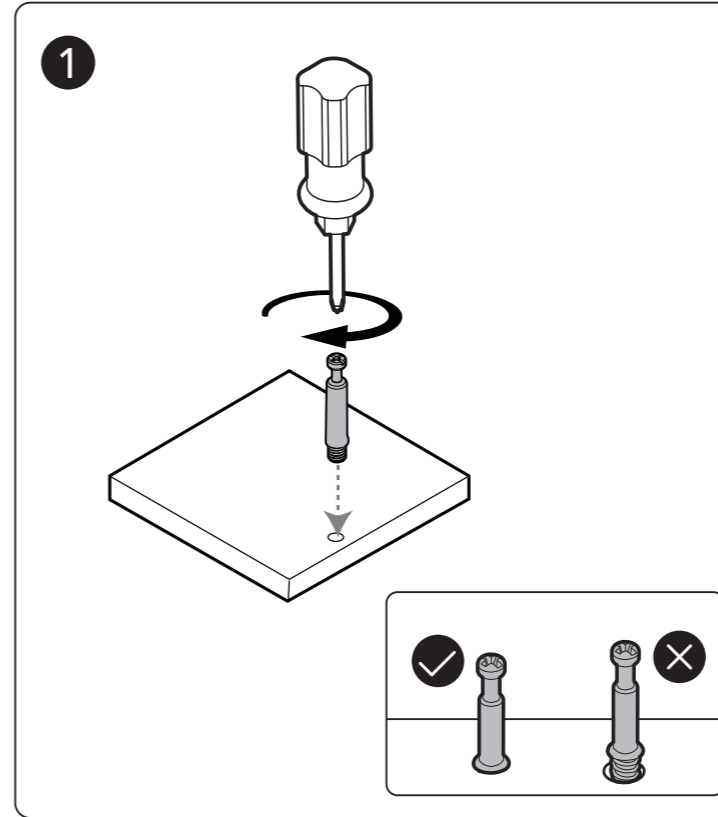
Ø21mm

O x 2



Ø5x17mm

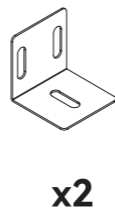
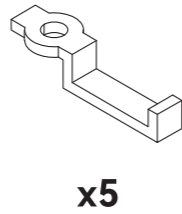
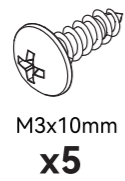
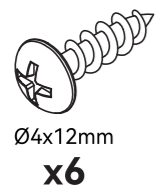
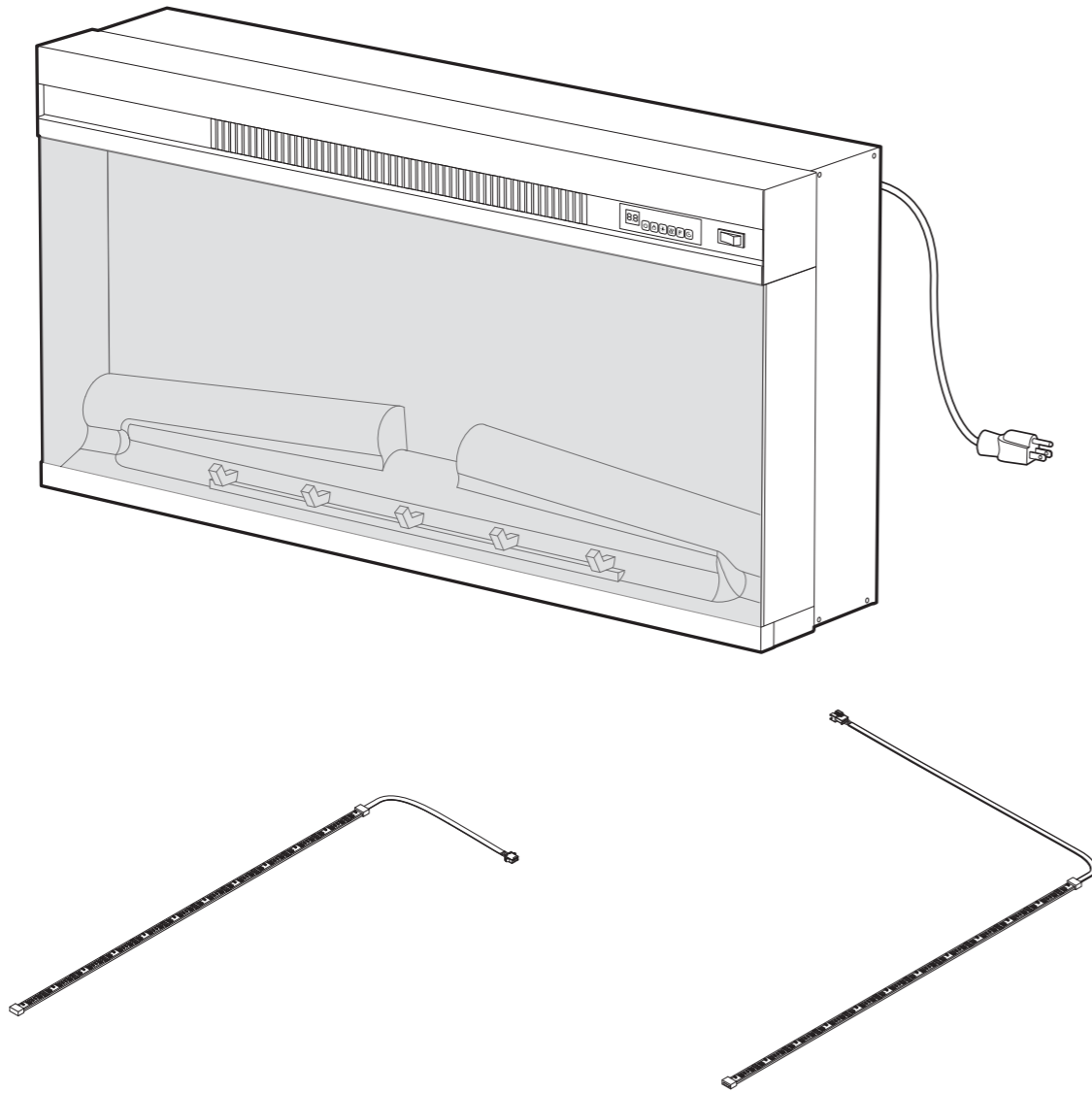
P x 1



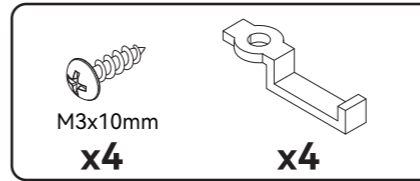
ASSEMBLY

1

Unpack carton B for the fireplace and accessories.
Set aside for later use.



2

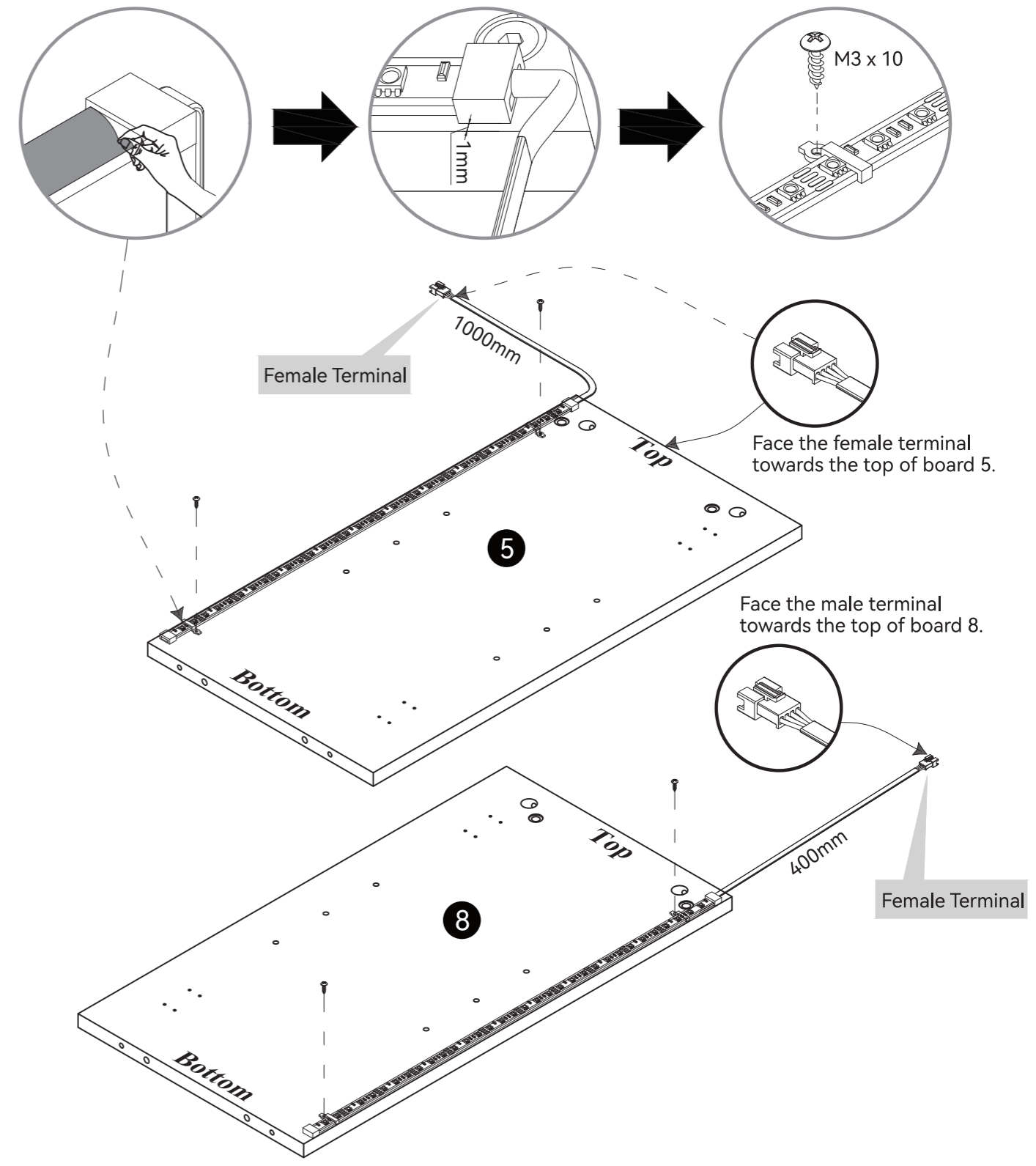


! Strictly follow the steps in the exact order as illustrated.

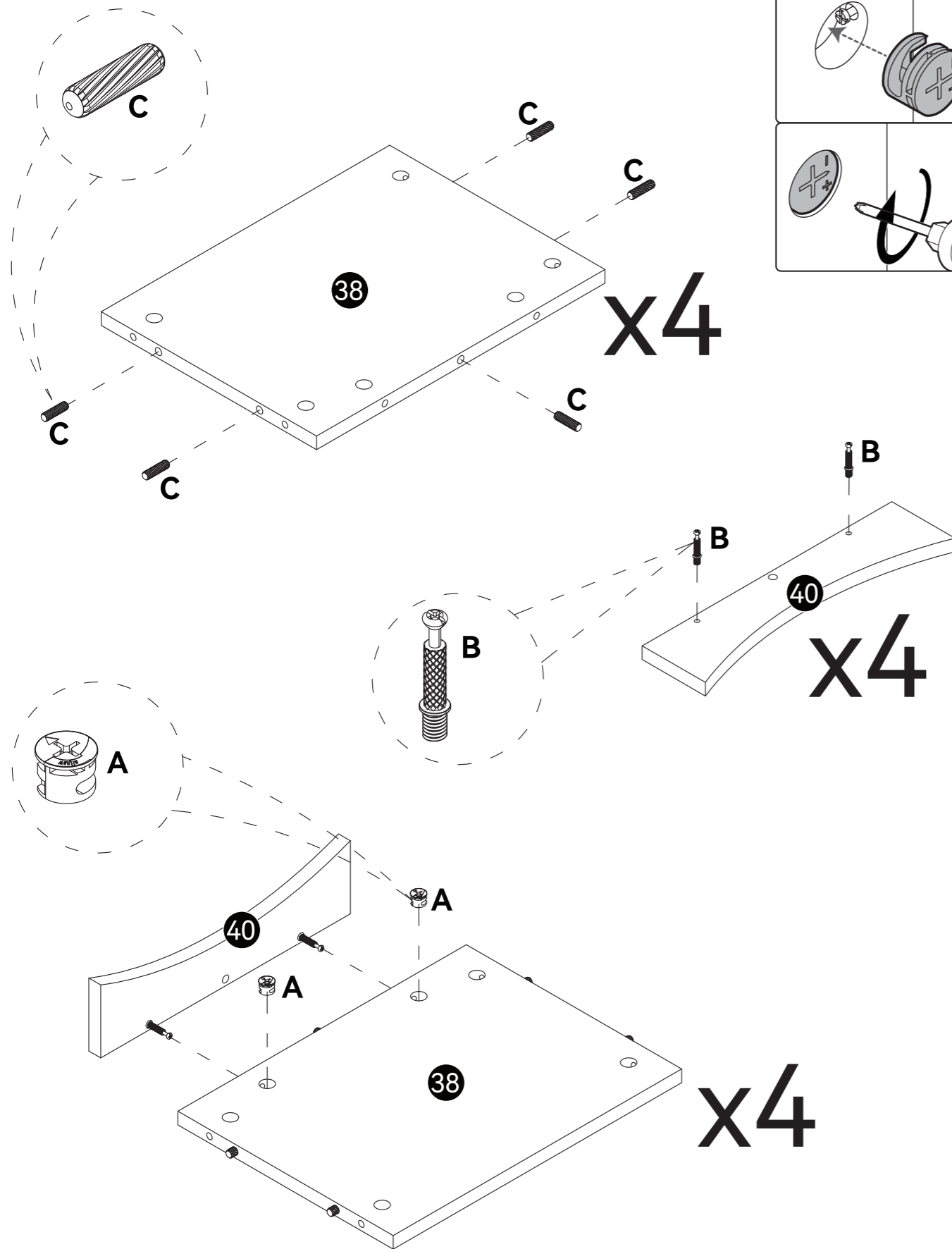
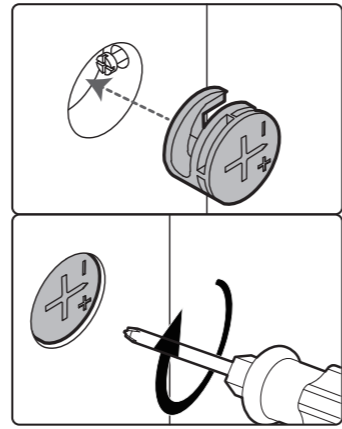
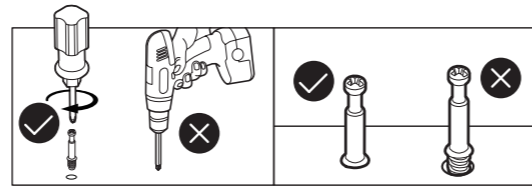
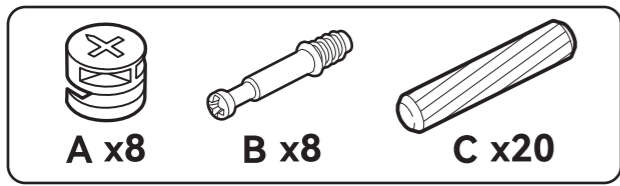
Peel off 3M adhesive backing from strip light.

Apply the strip light centered along the back edge, 1mm from the border. Ensure equal spacing at both ends.

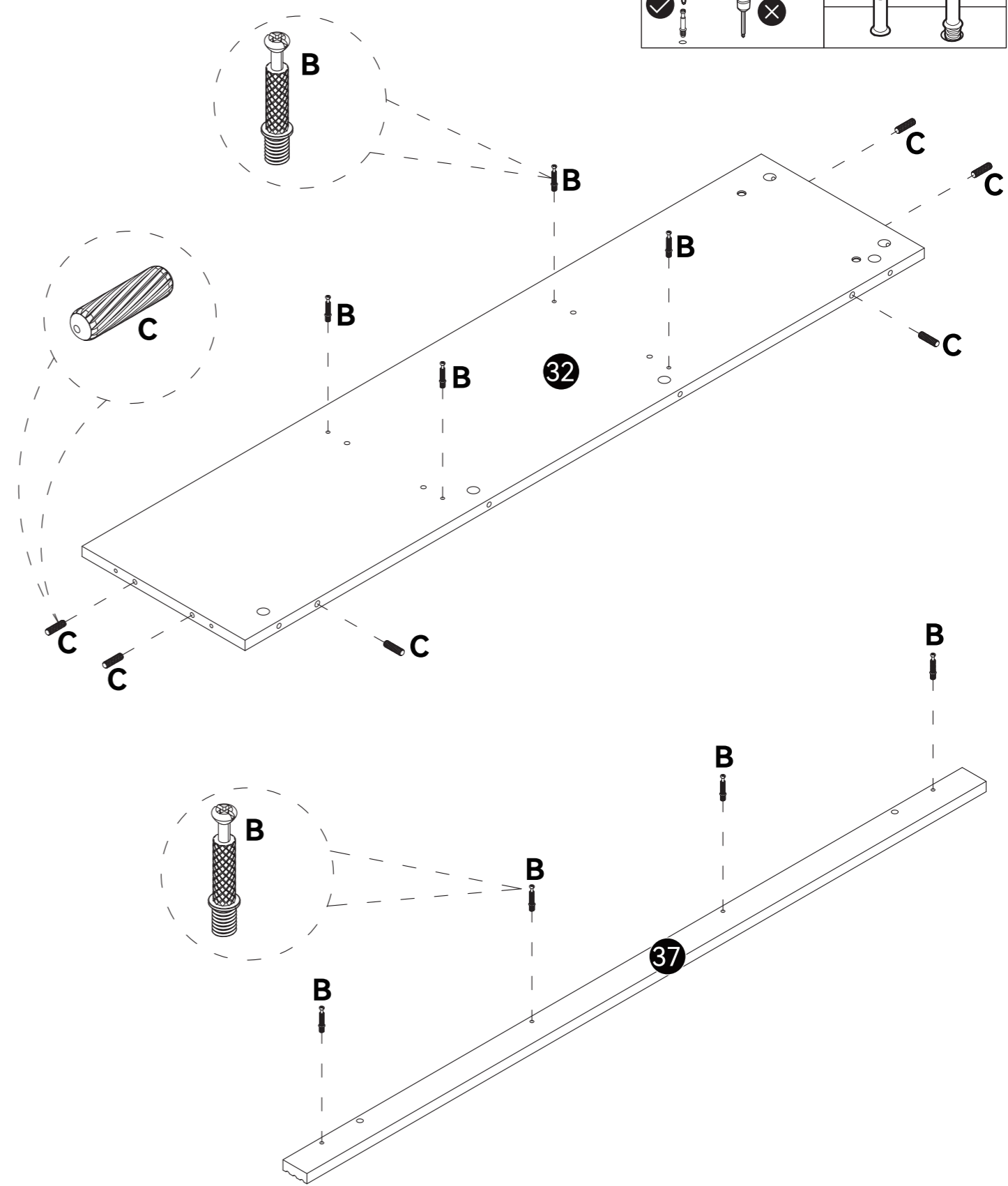
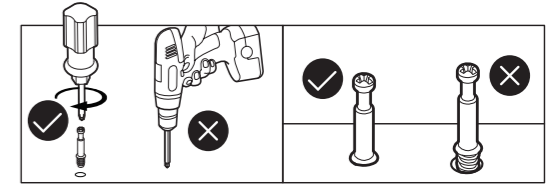
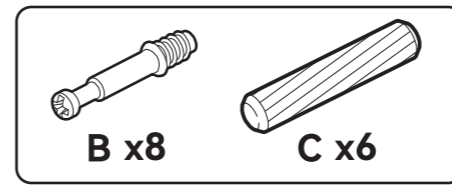
Secure the strip light with clips and screws (M3*10).



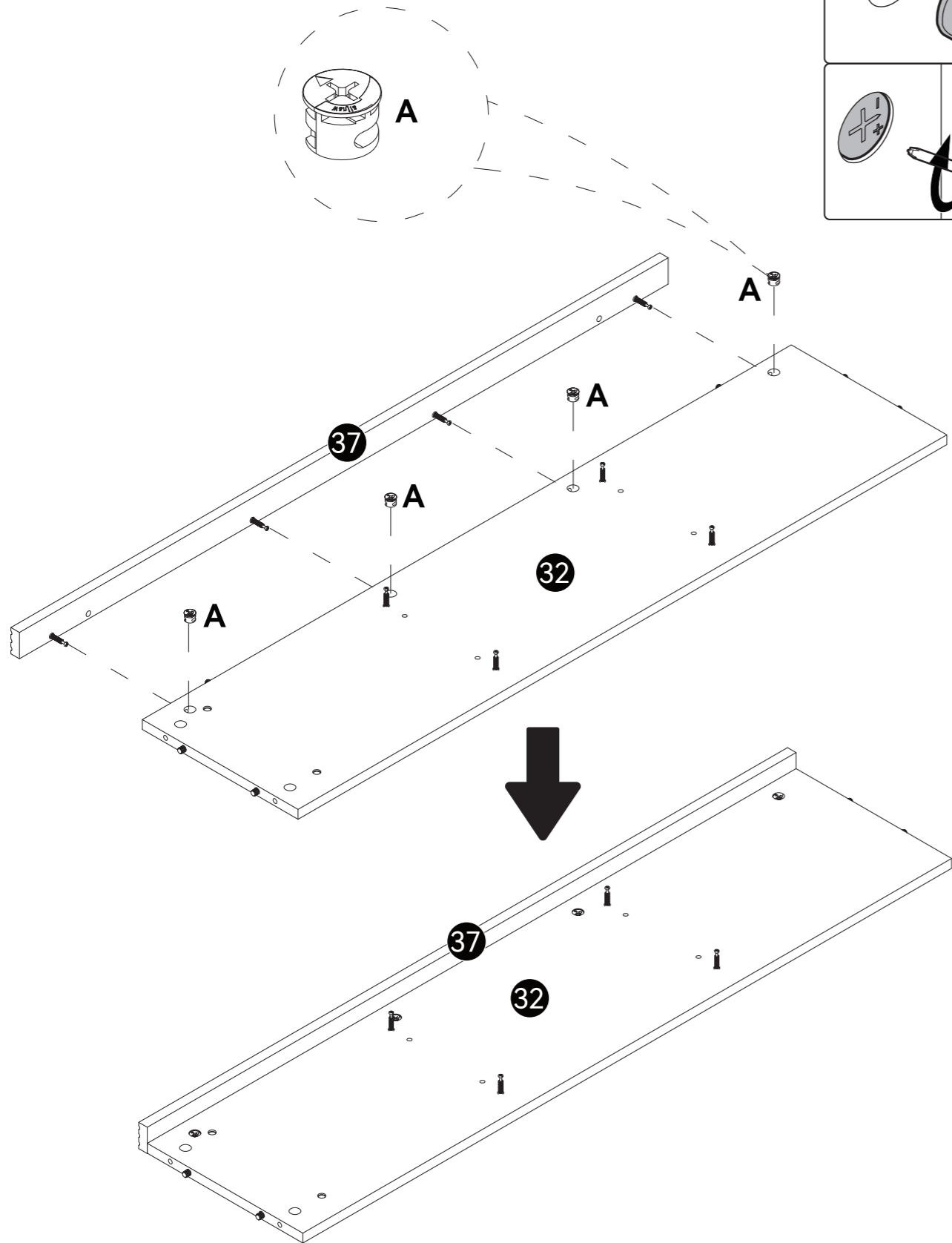
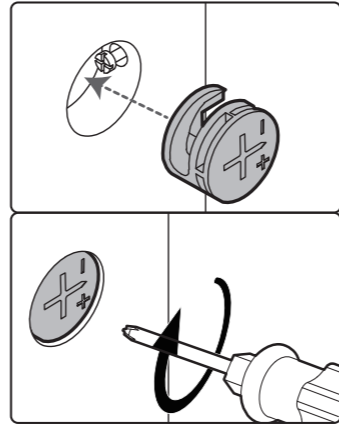
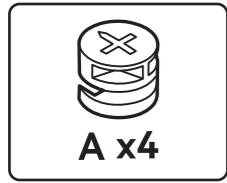
3



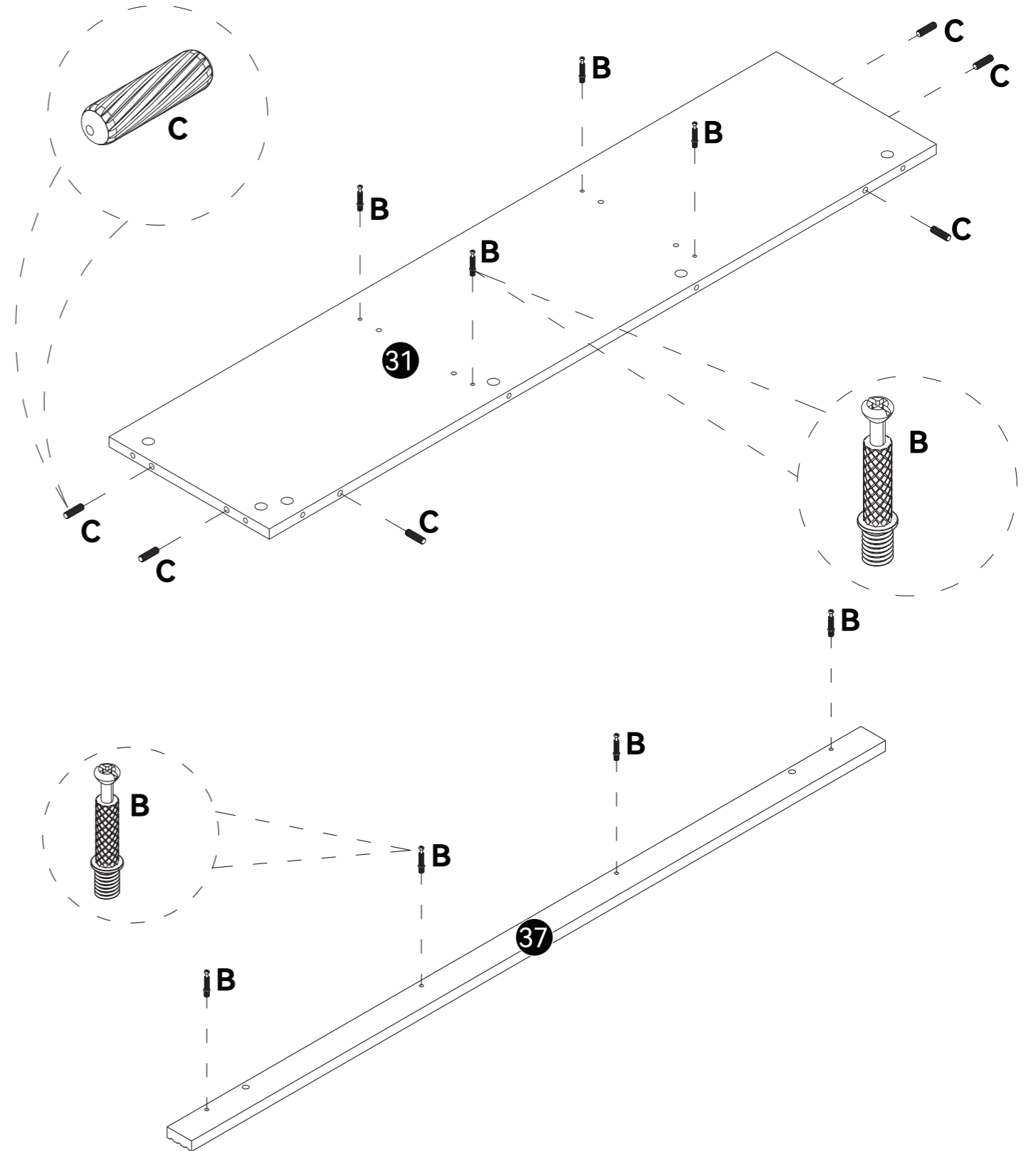
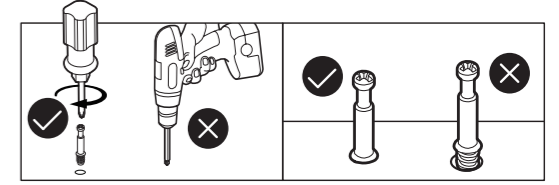
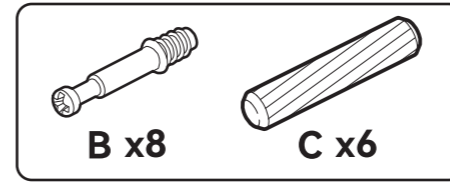
4



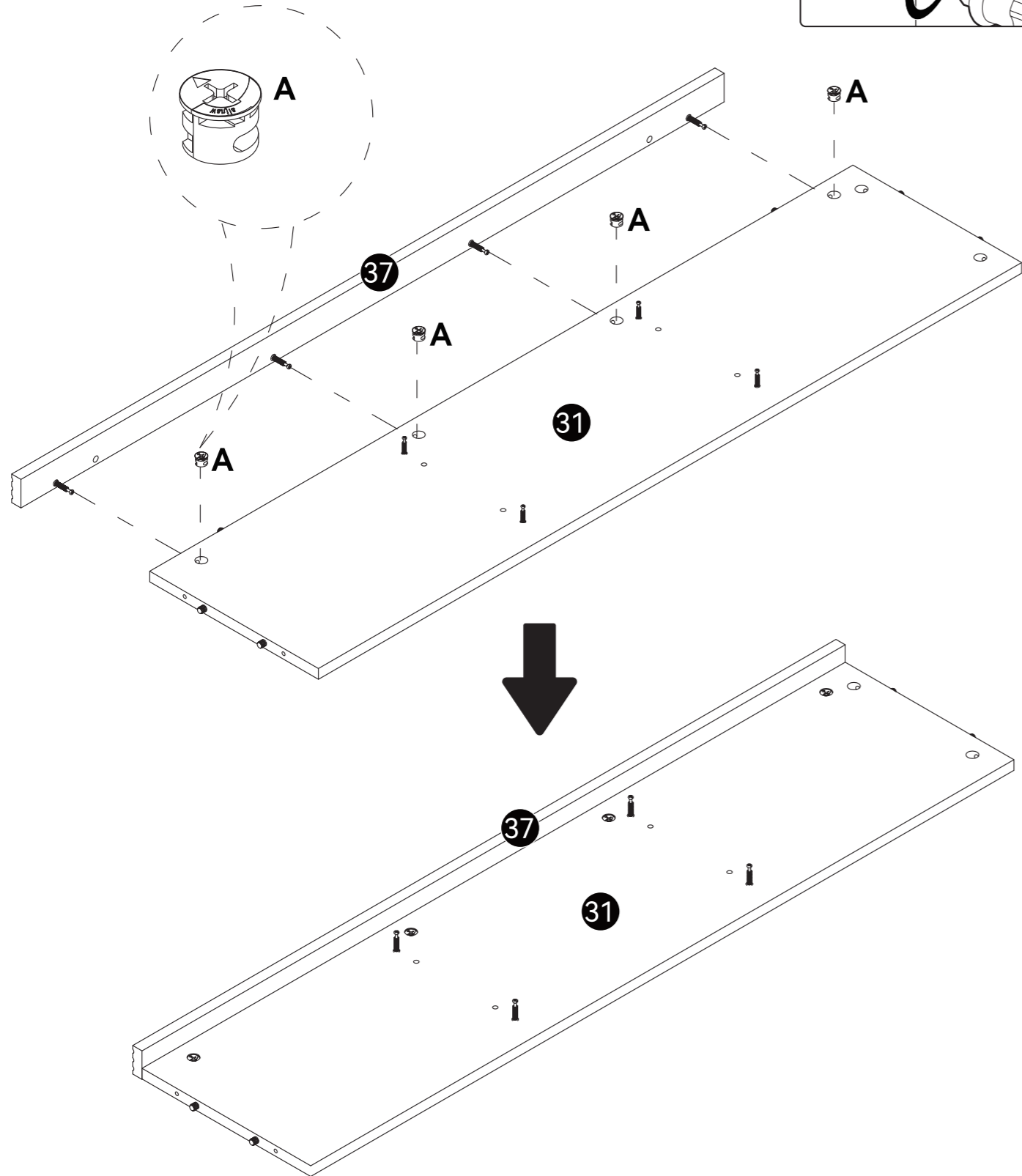
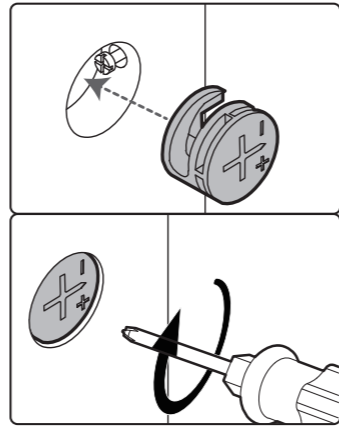
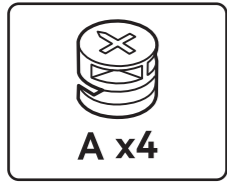
5



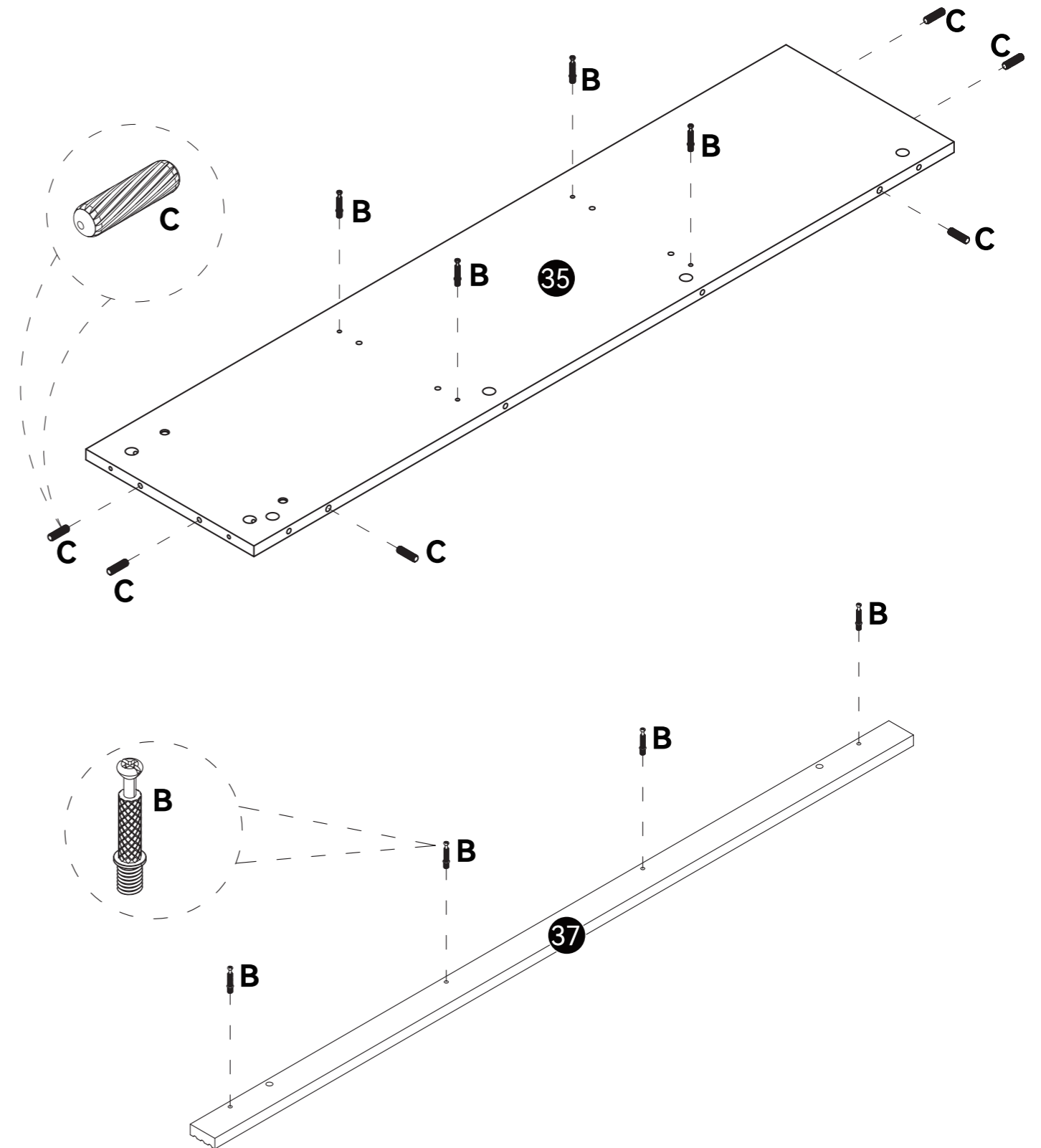
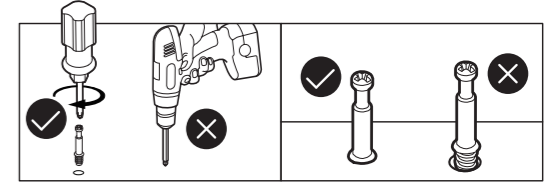
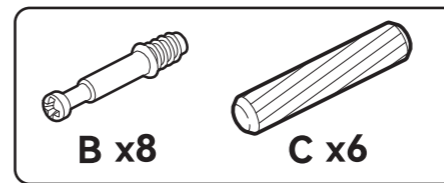
6



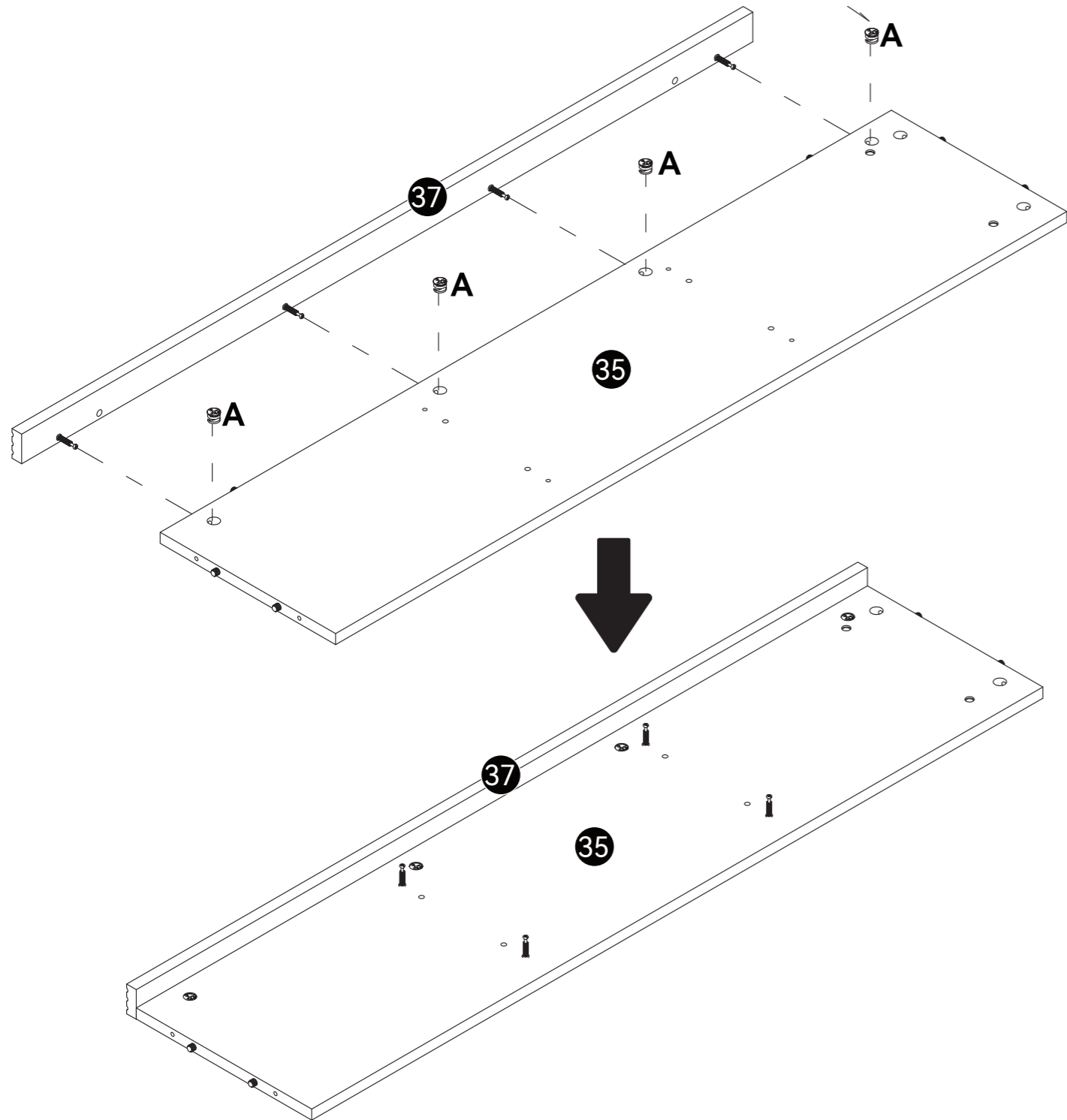
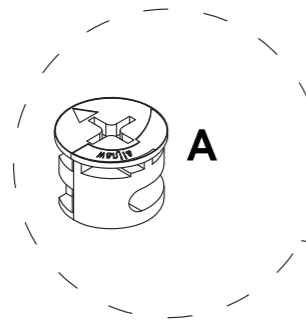
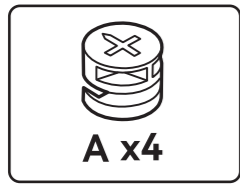
7



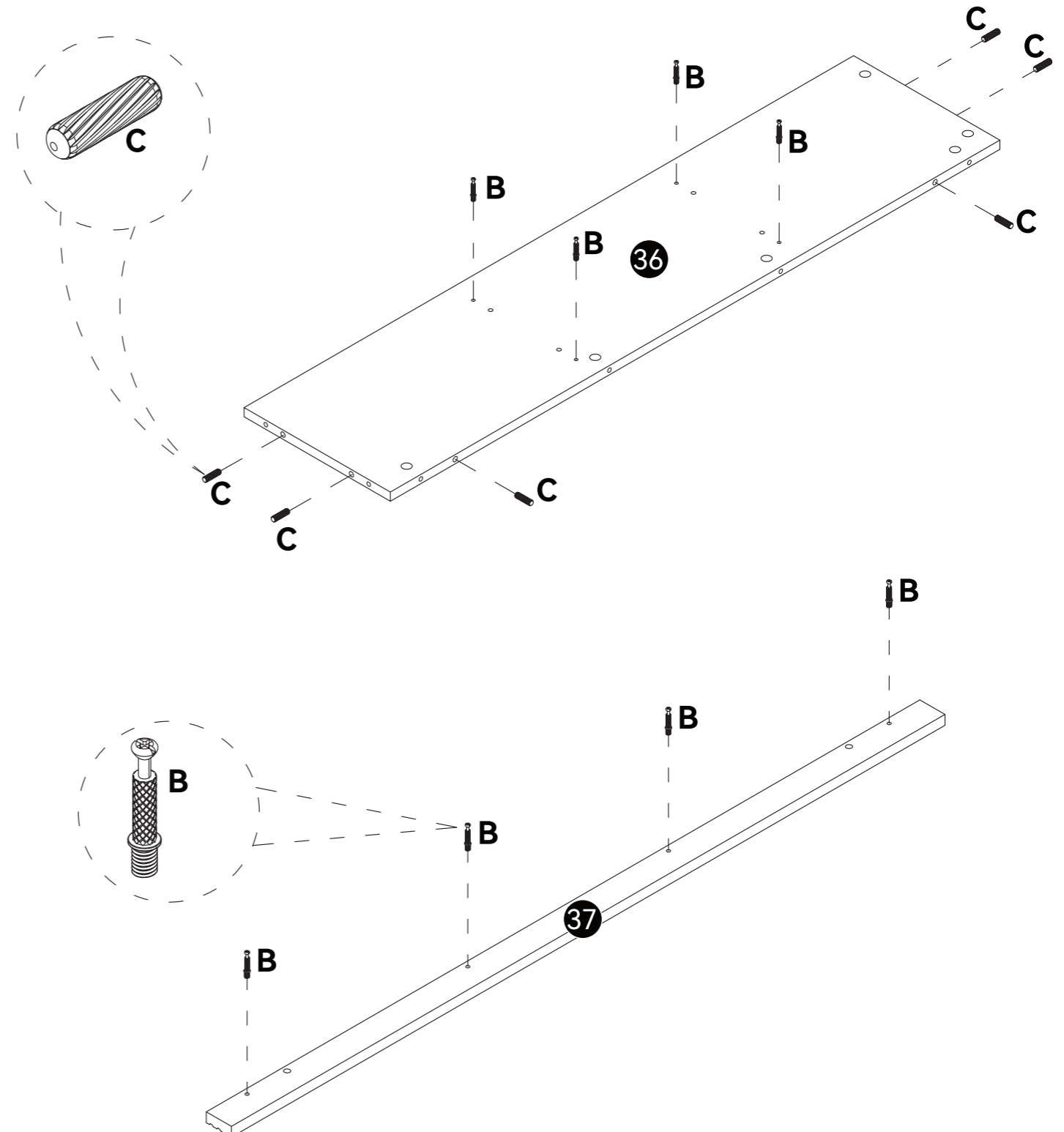
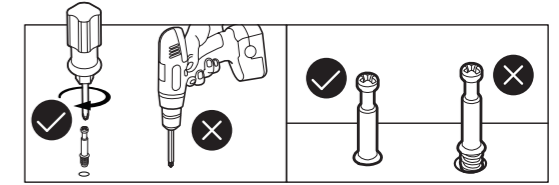
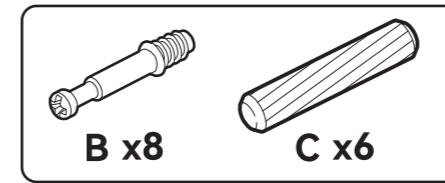
8



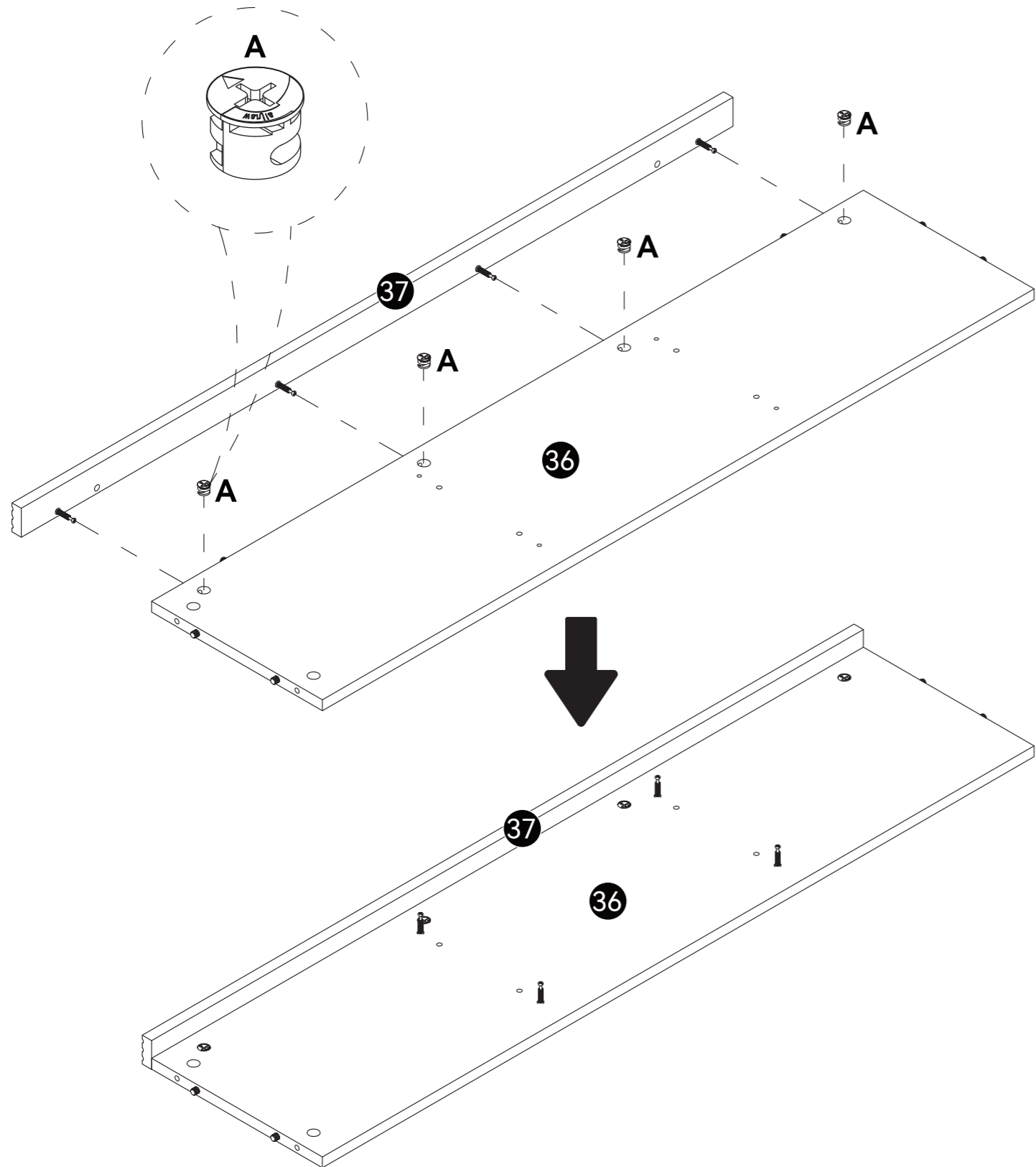
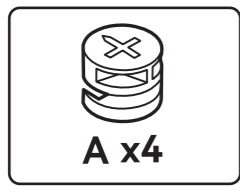
9



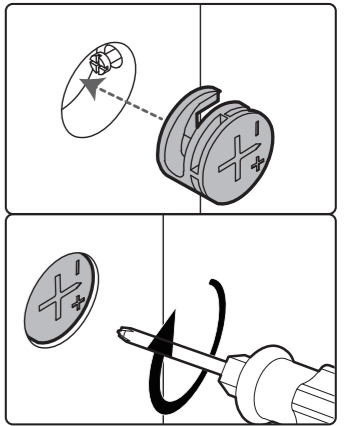
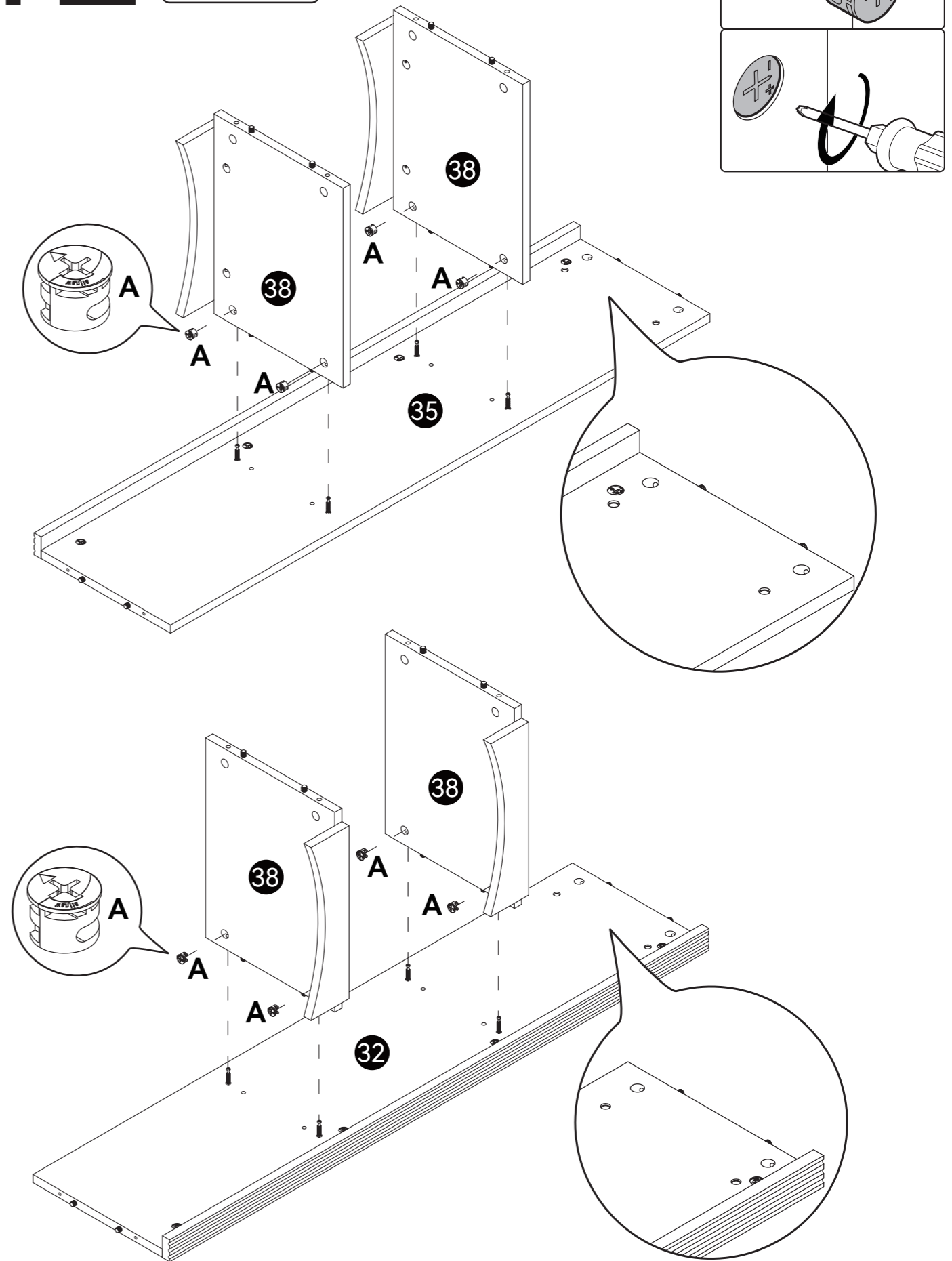
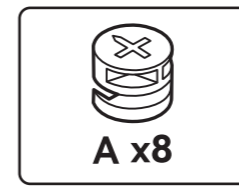
10



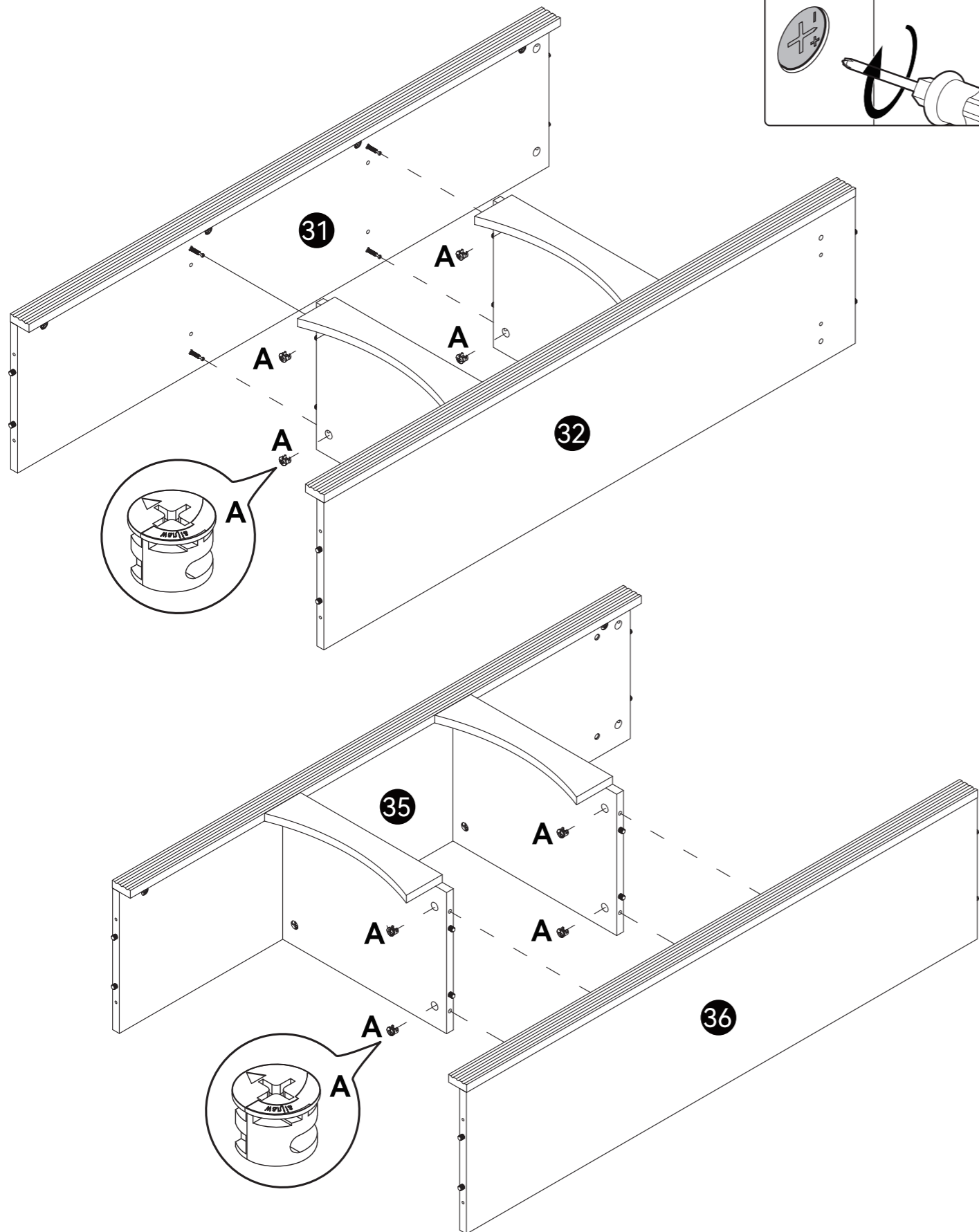
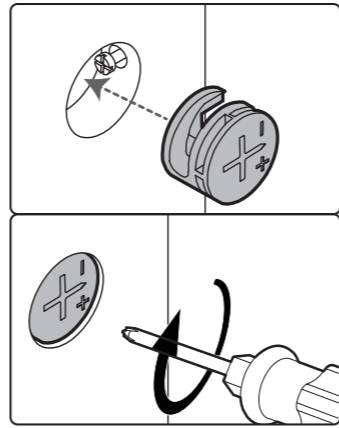
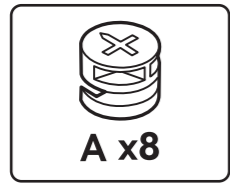
11



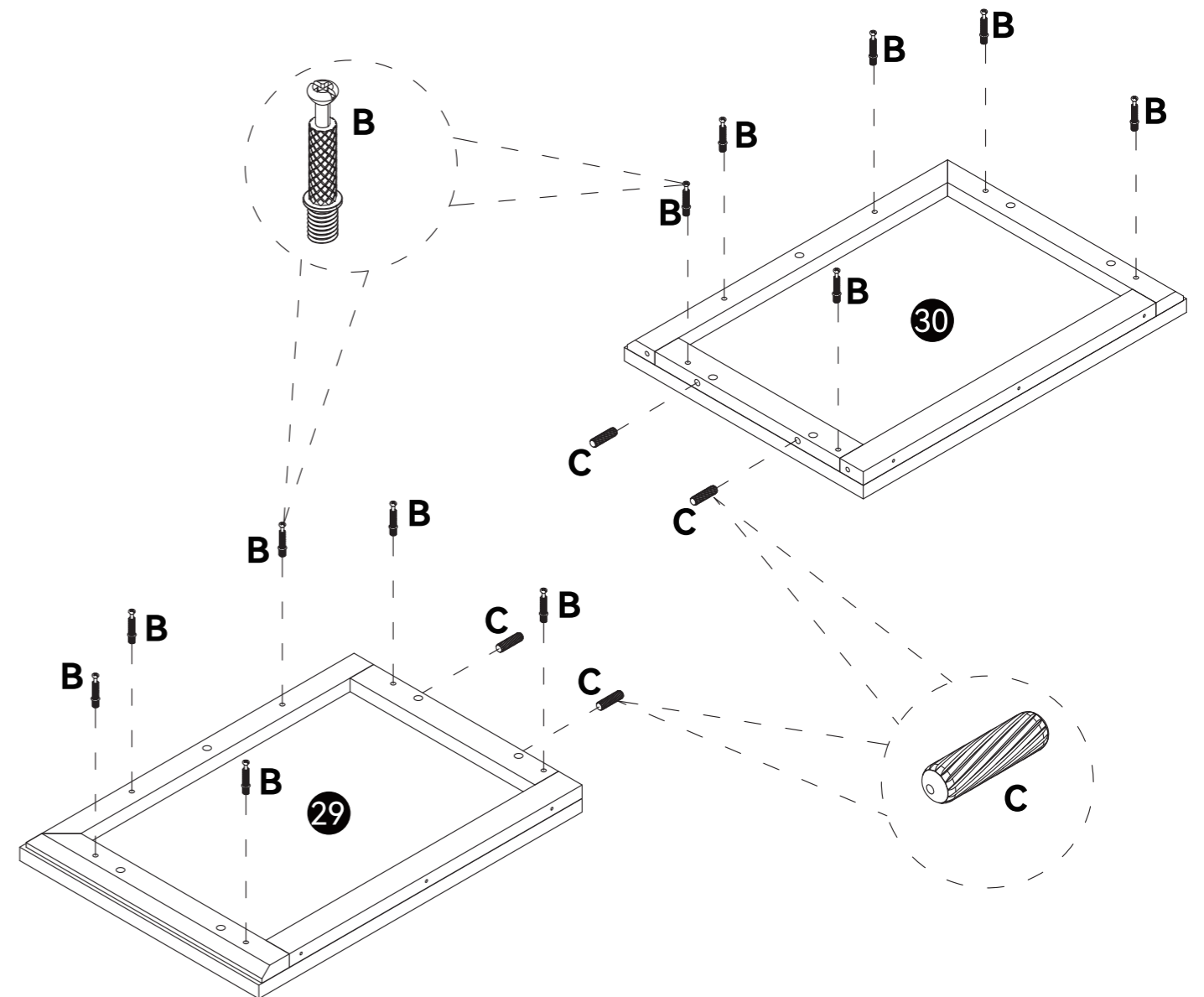
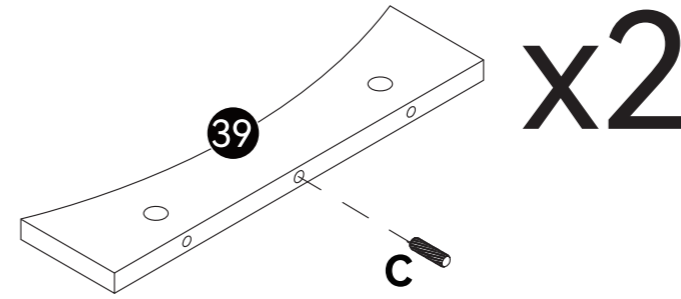
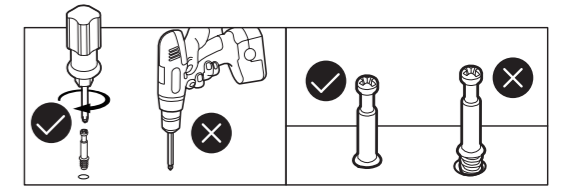
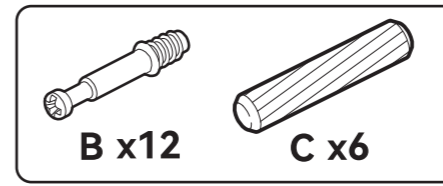
12



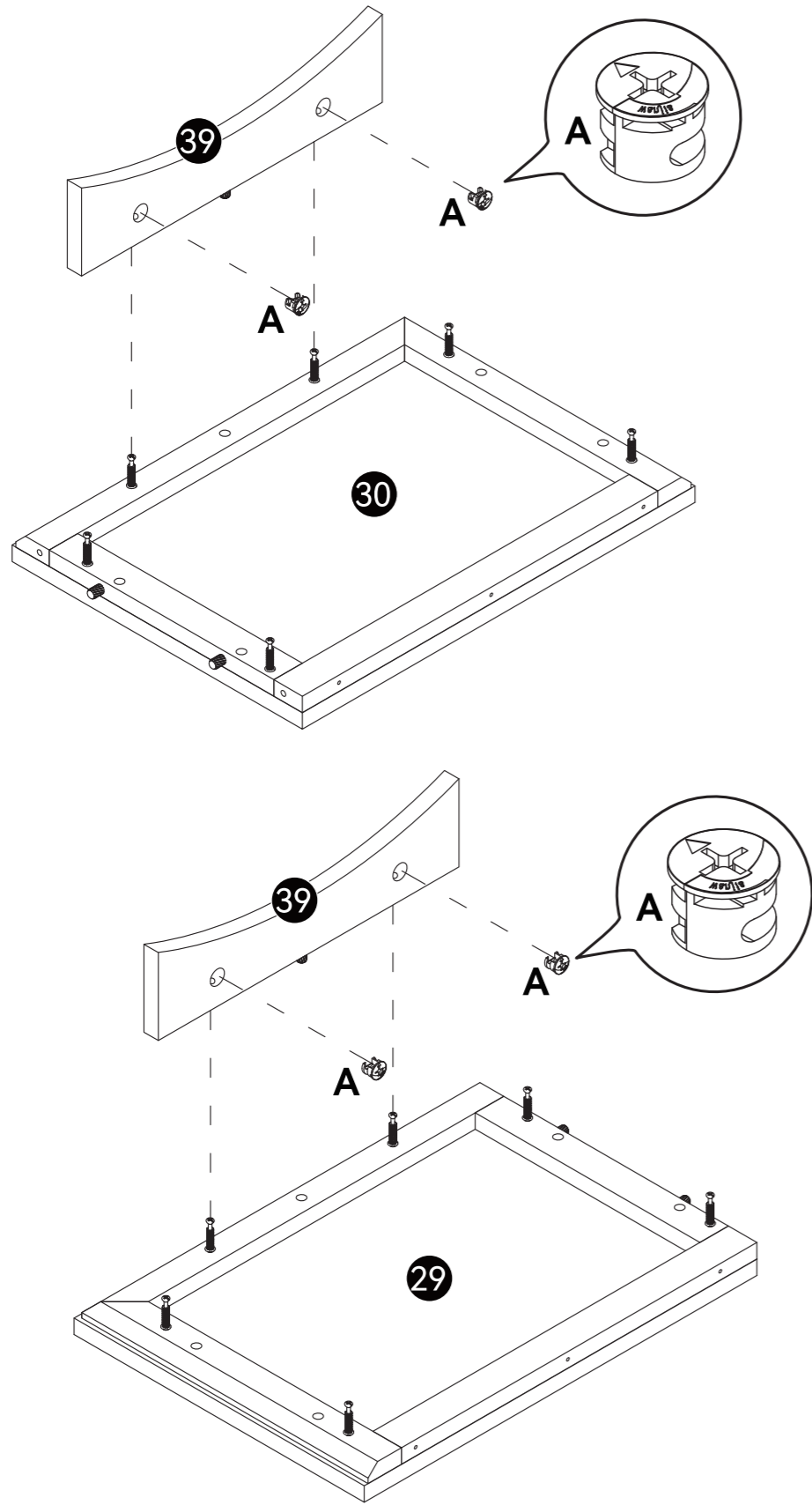
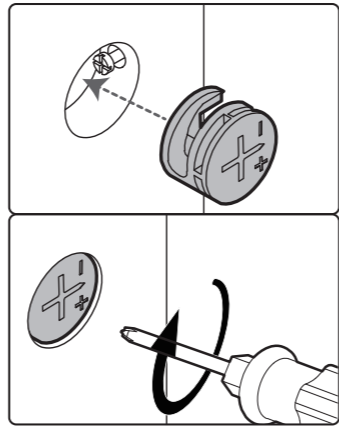
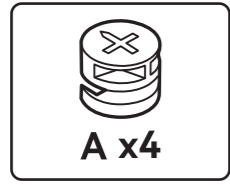
13



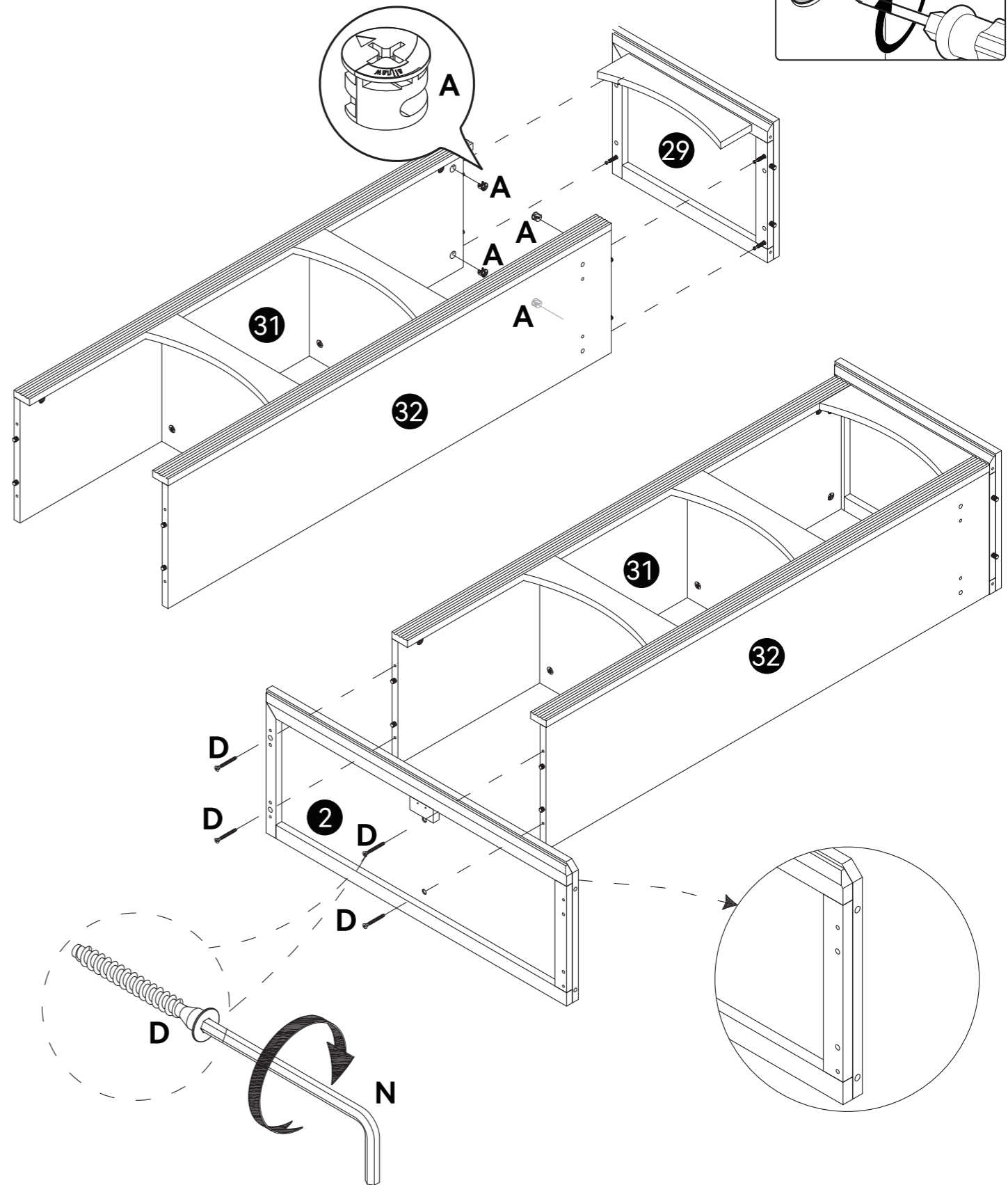
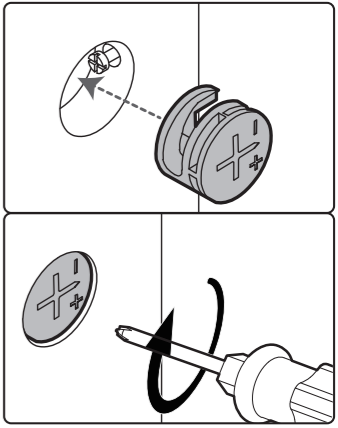
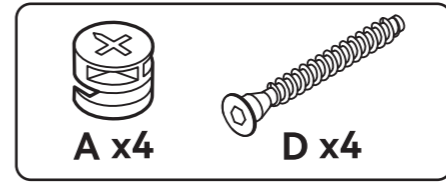
14



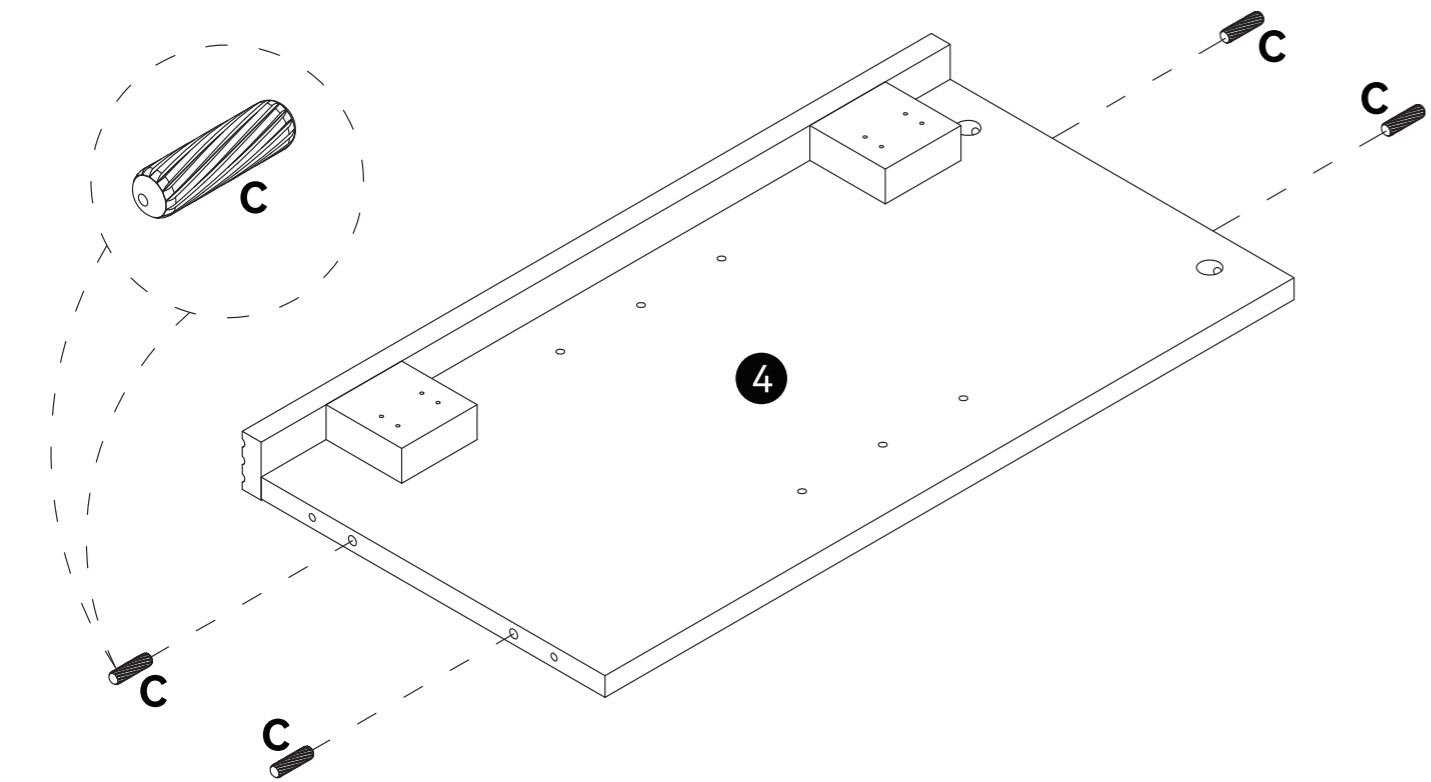
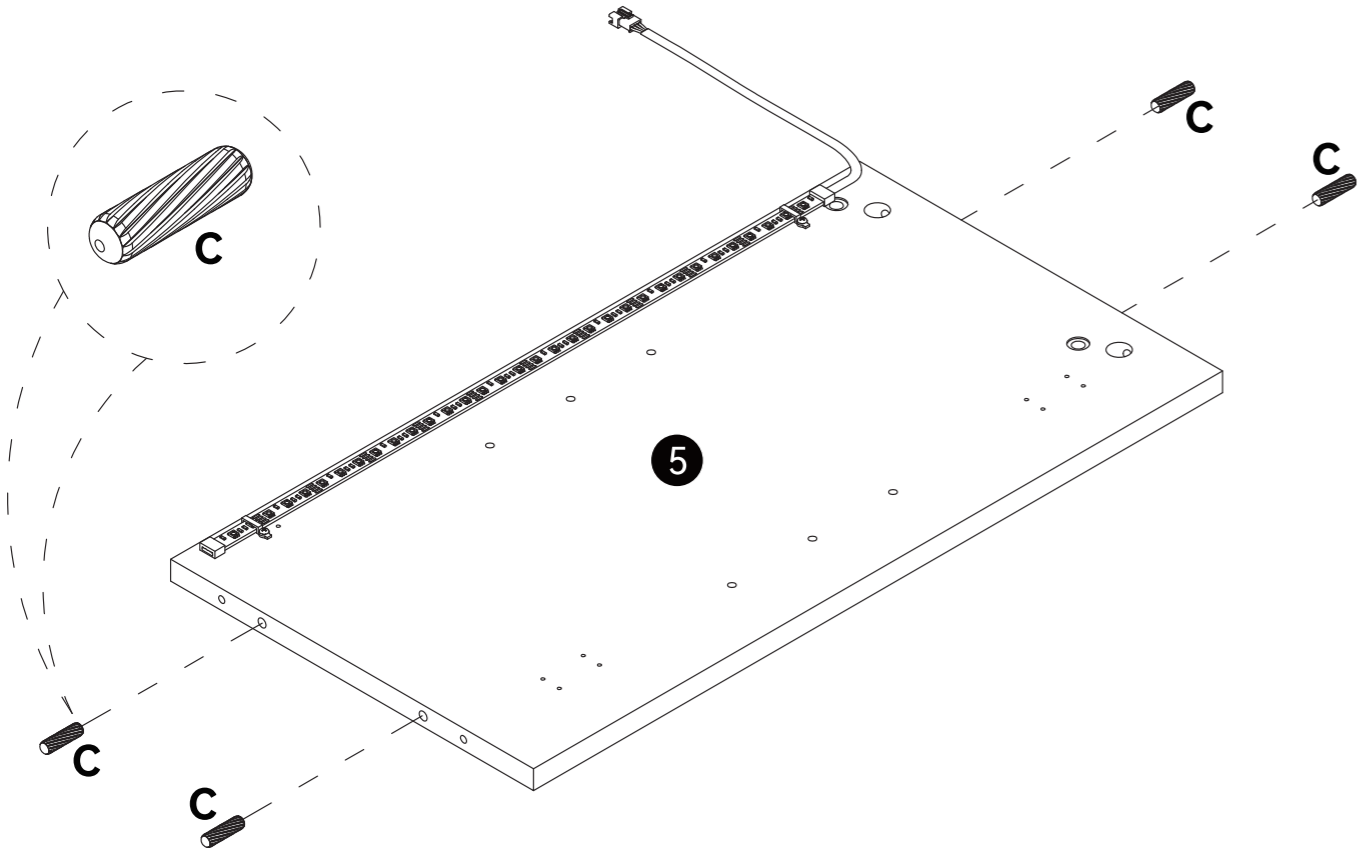
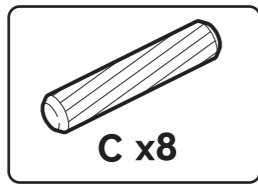
15



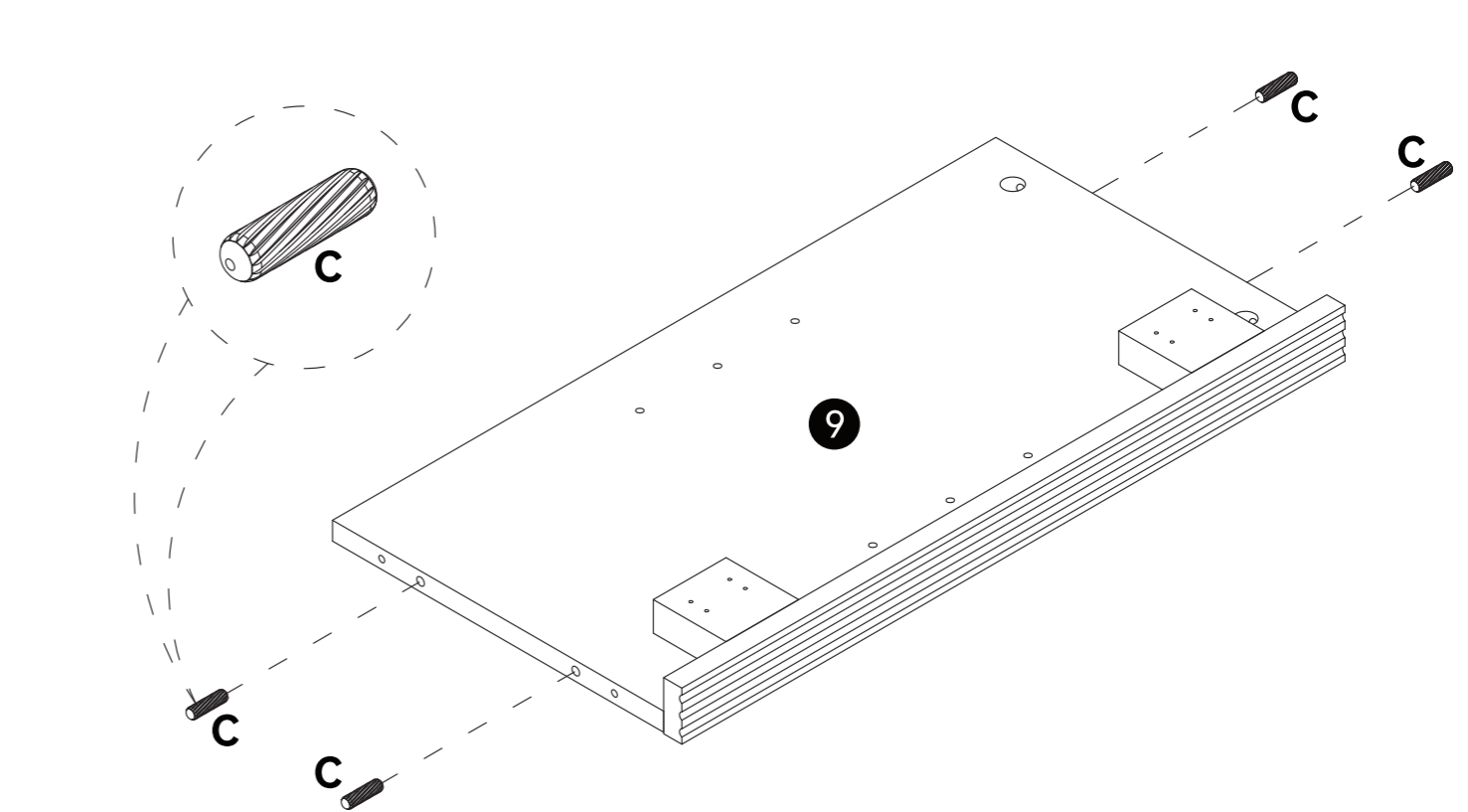
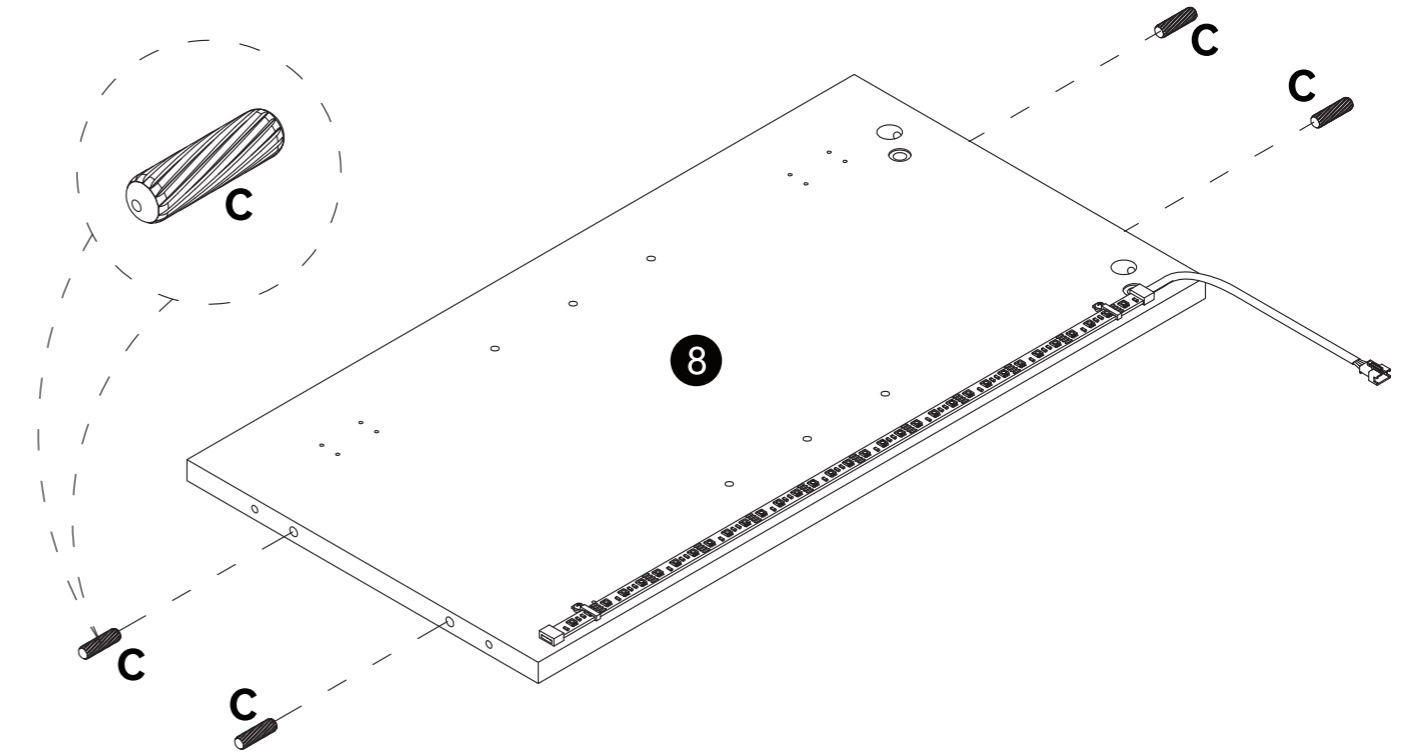
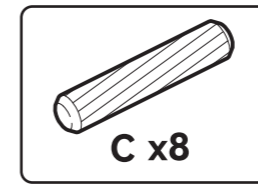
16



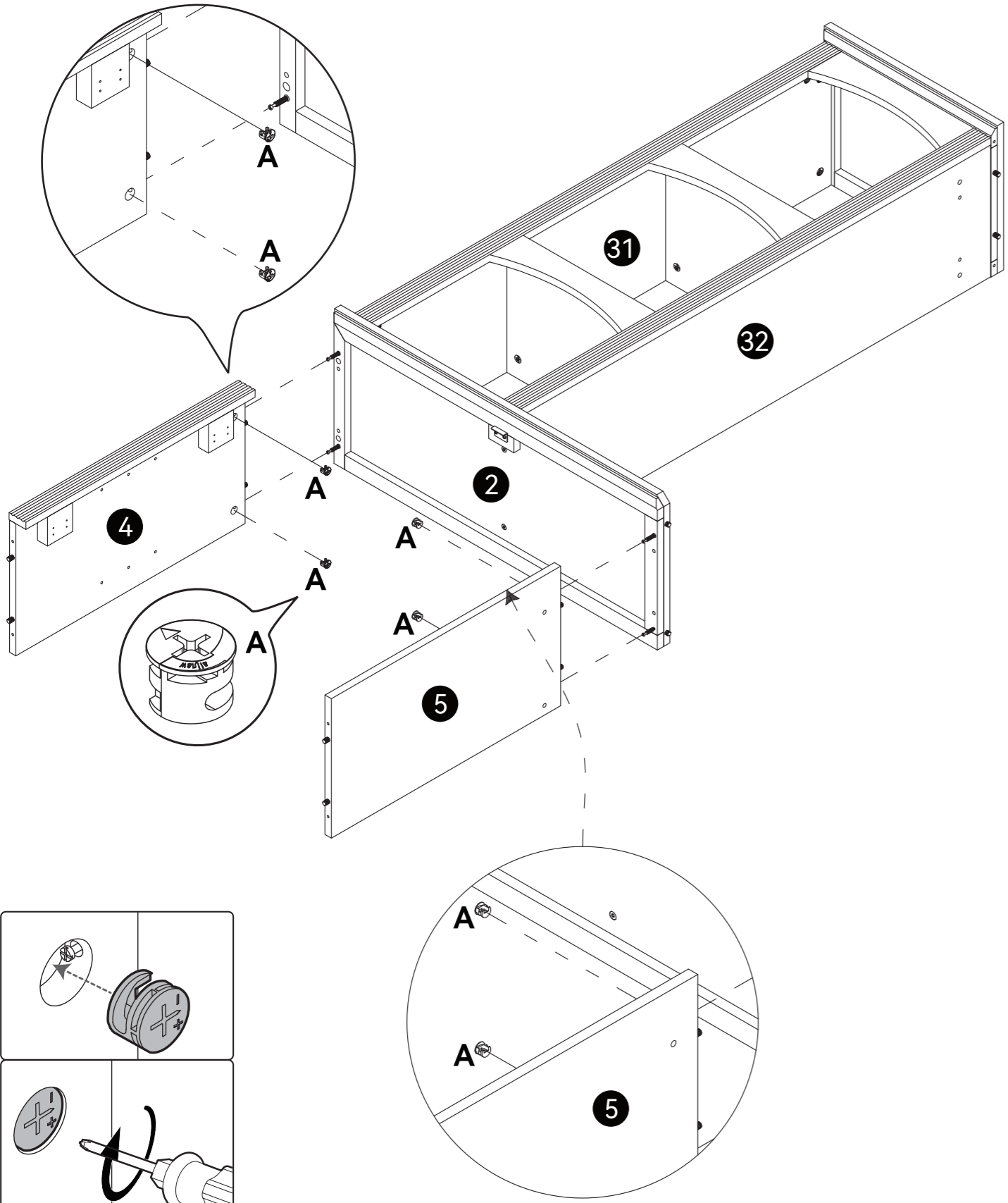
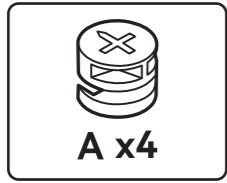
19



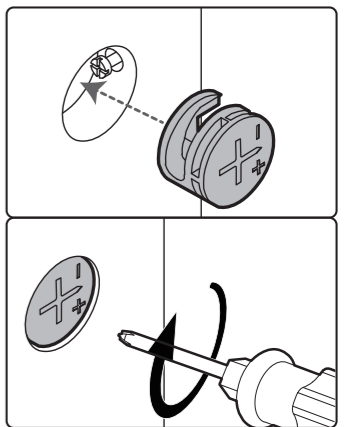
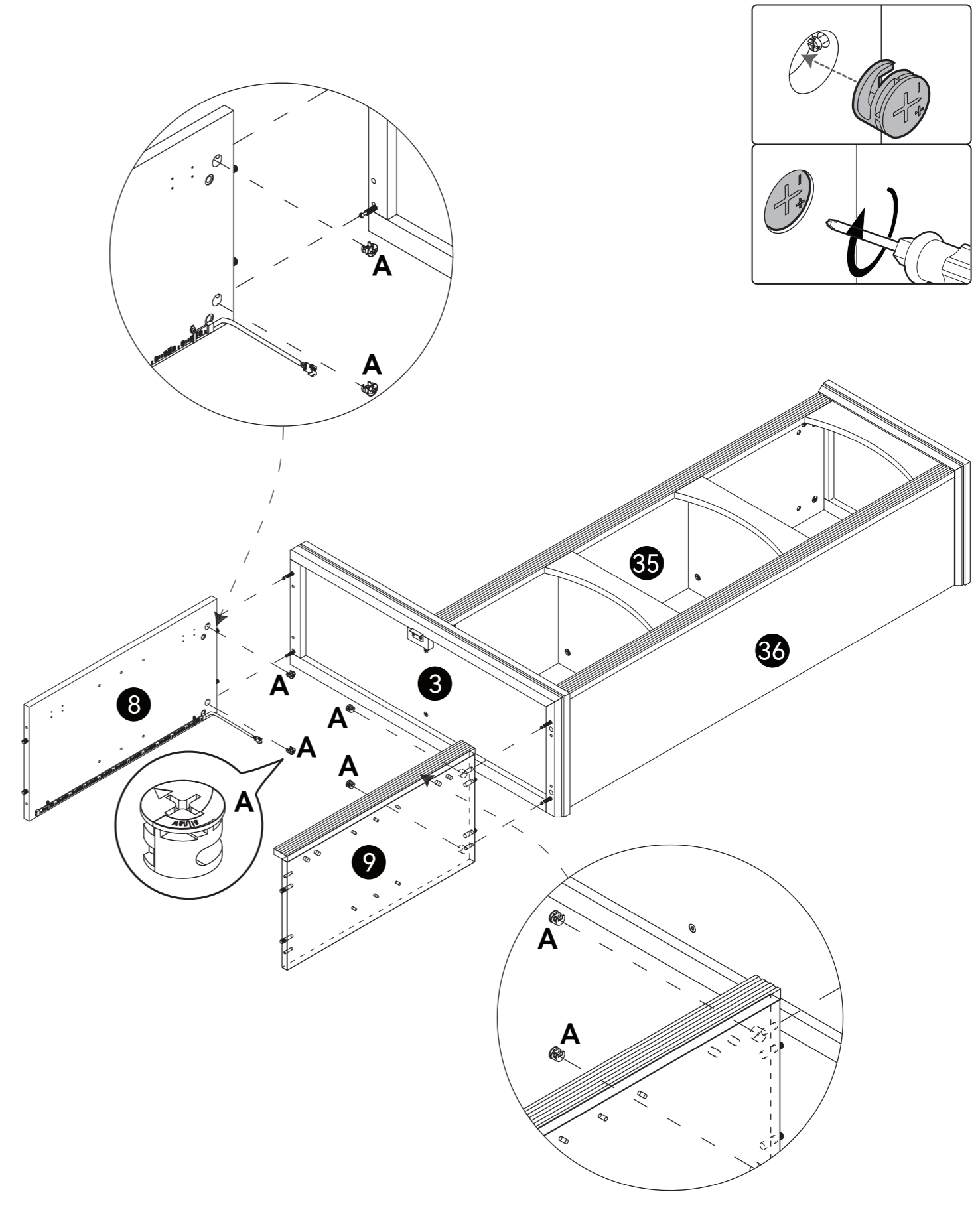
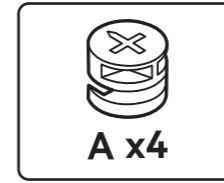
20



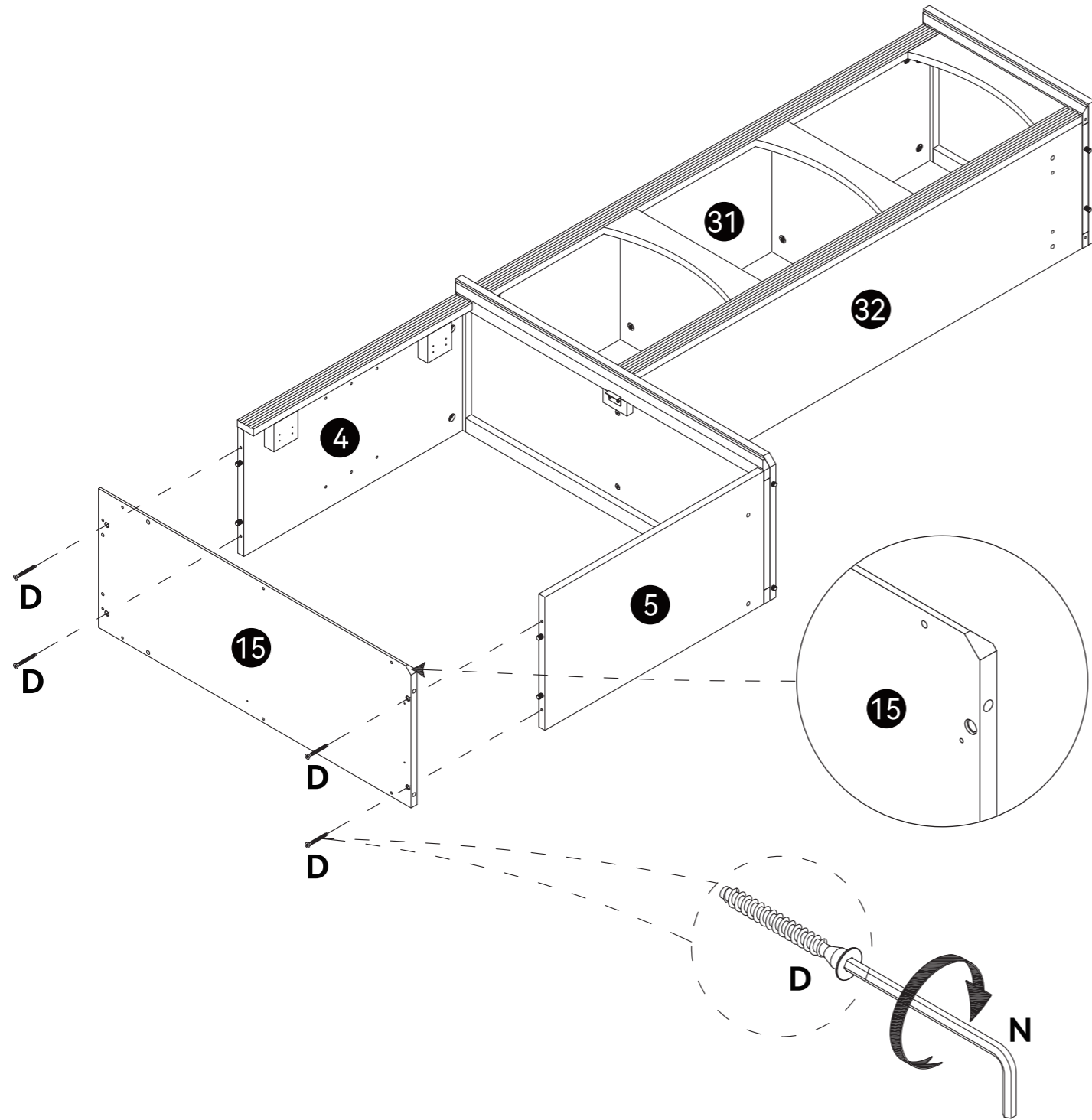
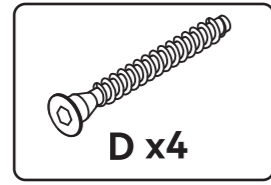
21



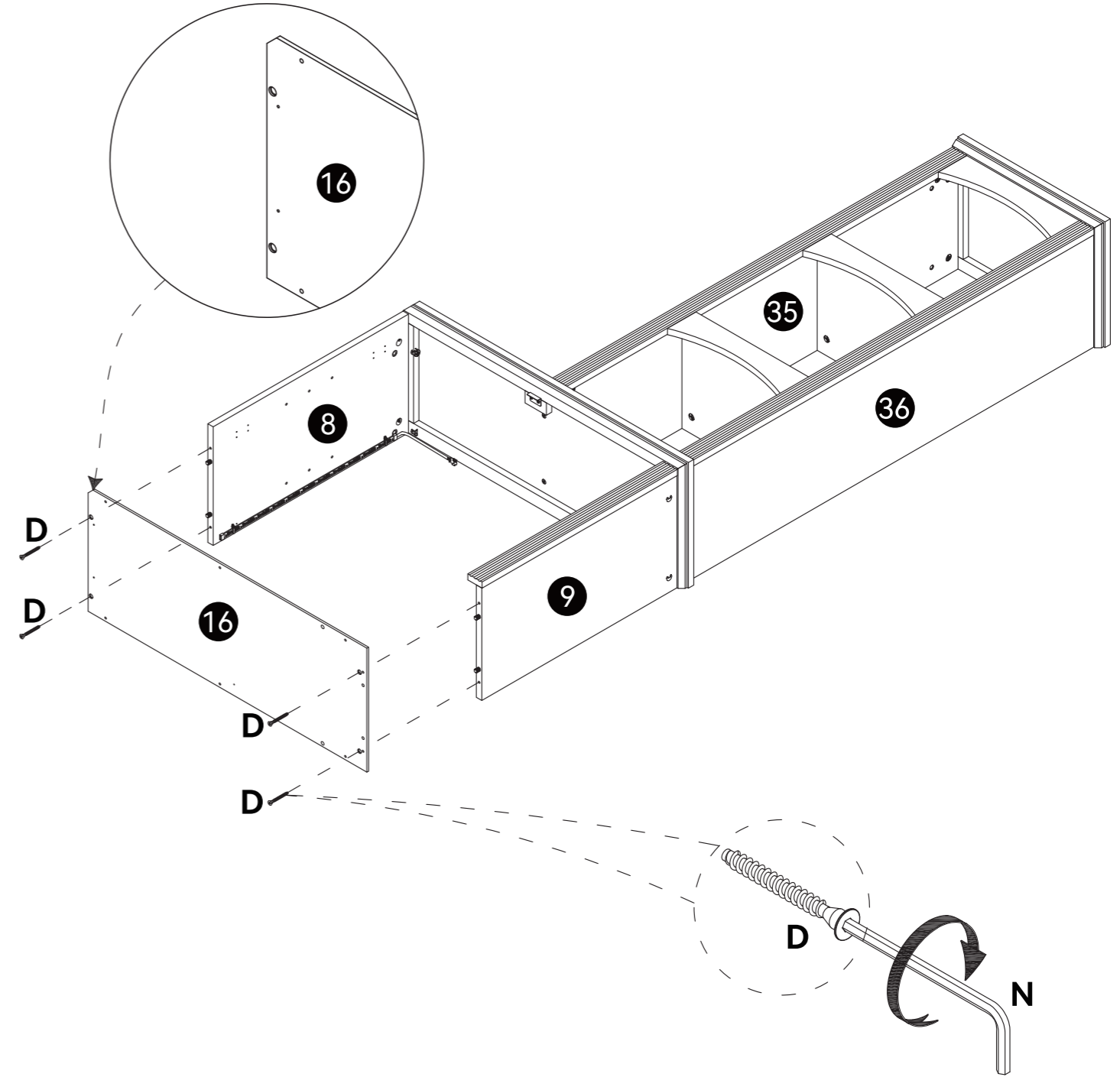
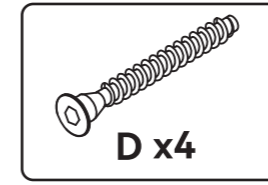
22



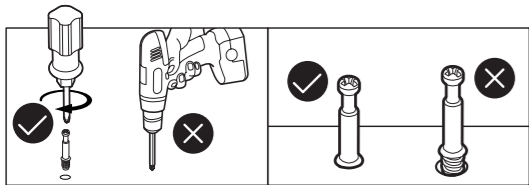
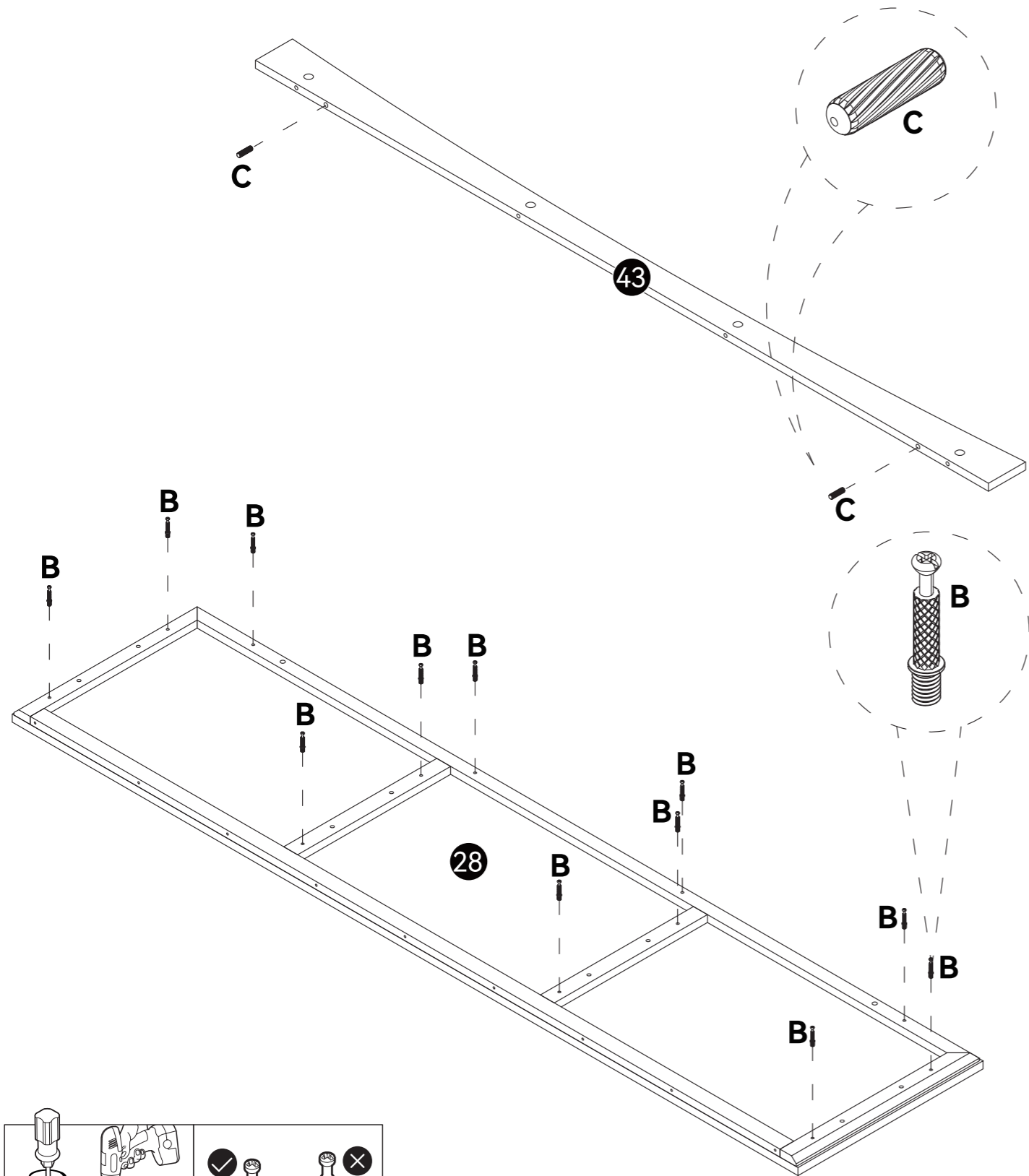
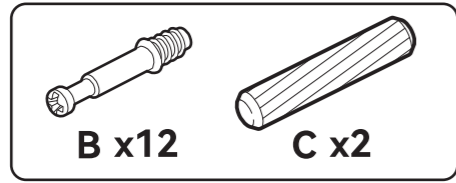
23



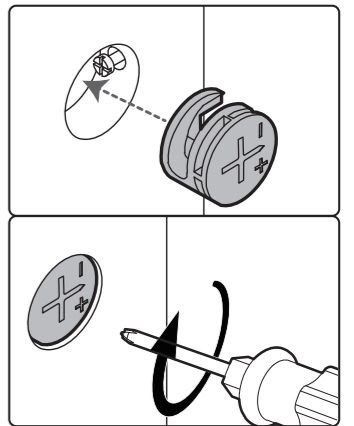
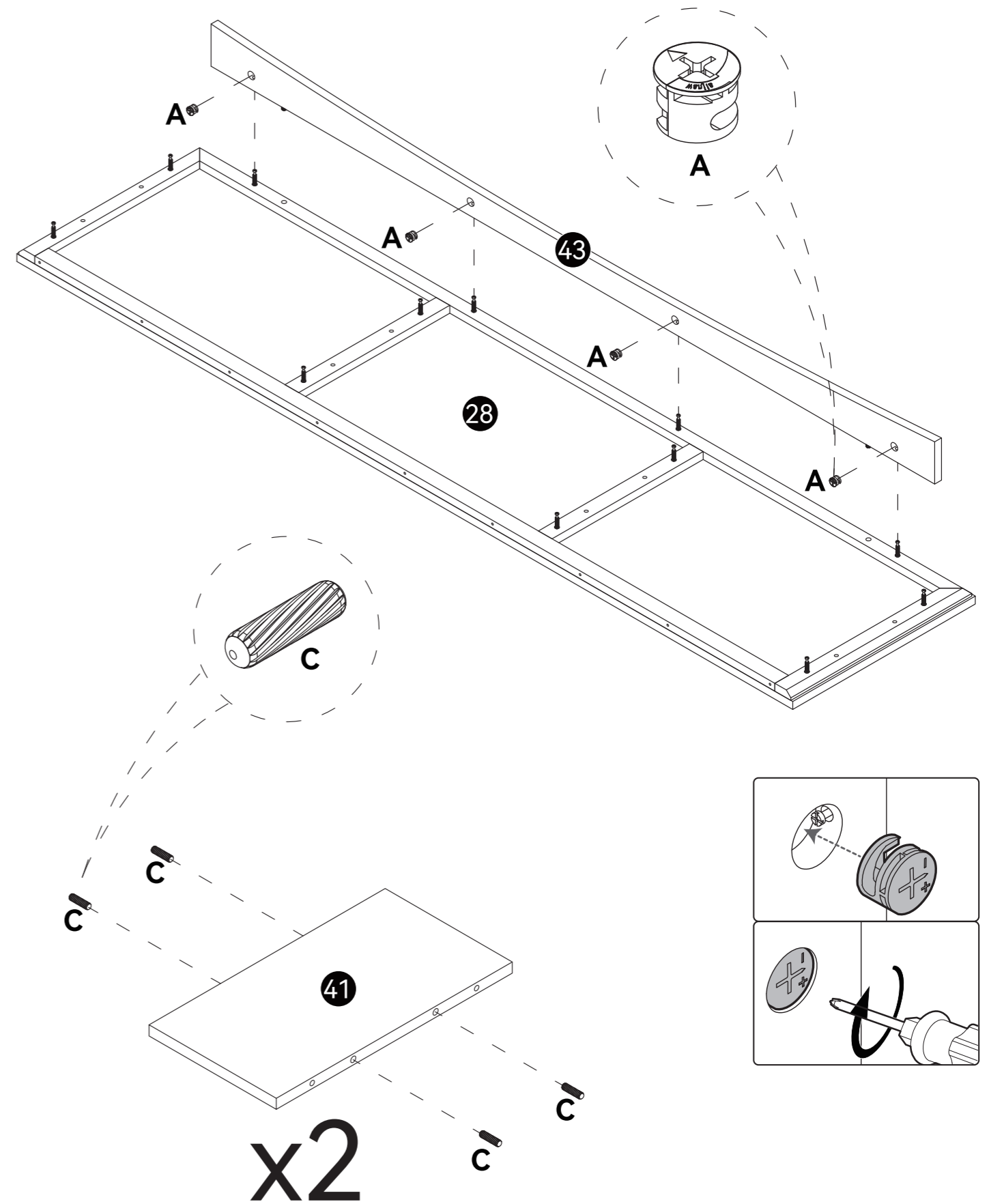
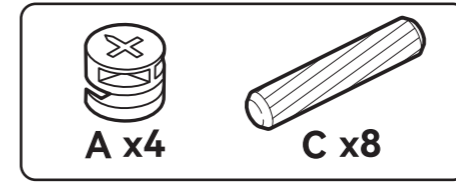
24



25

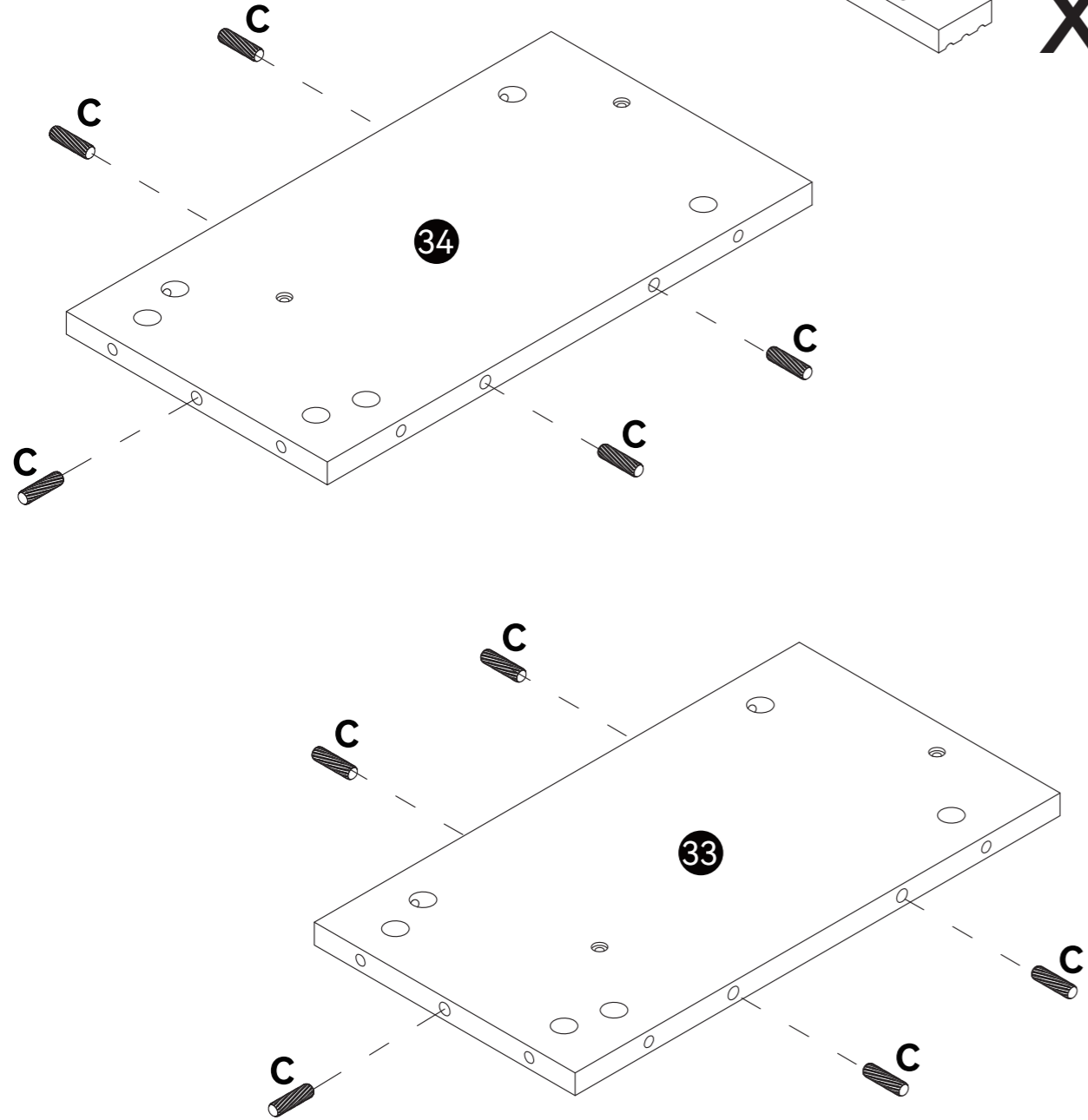
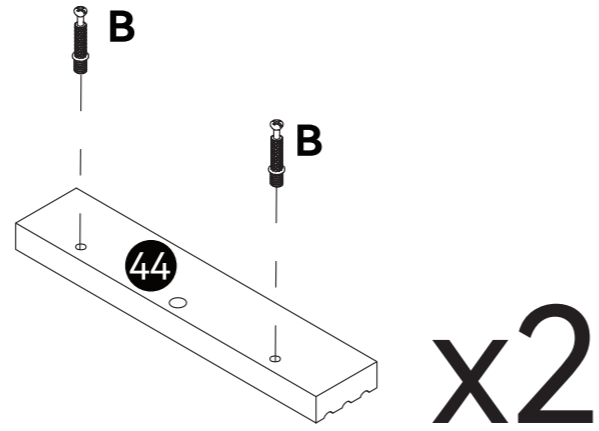
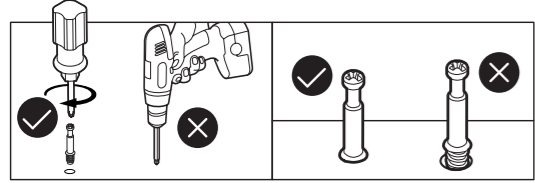
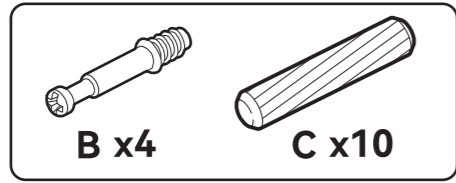


26

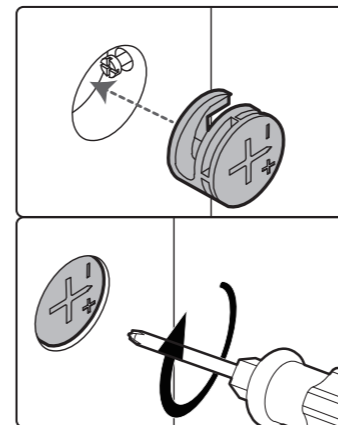
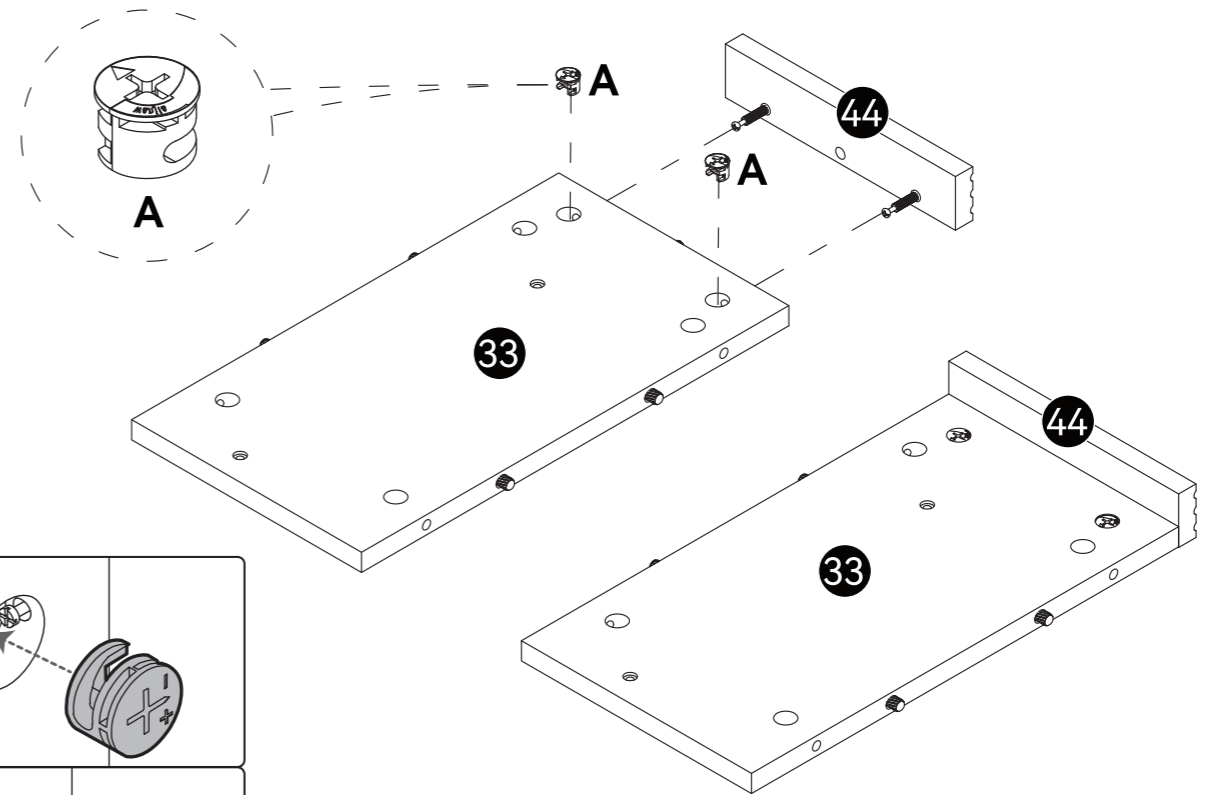
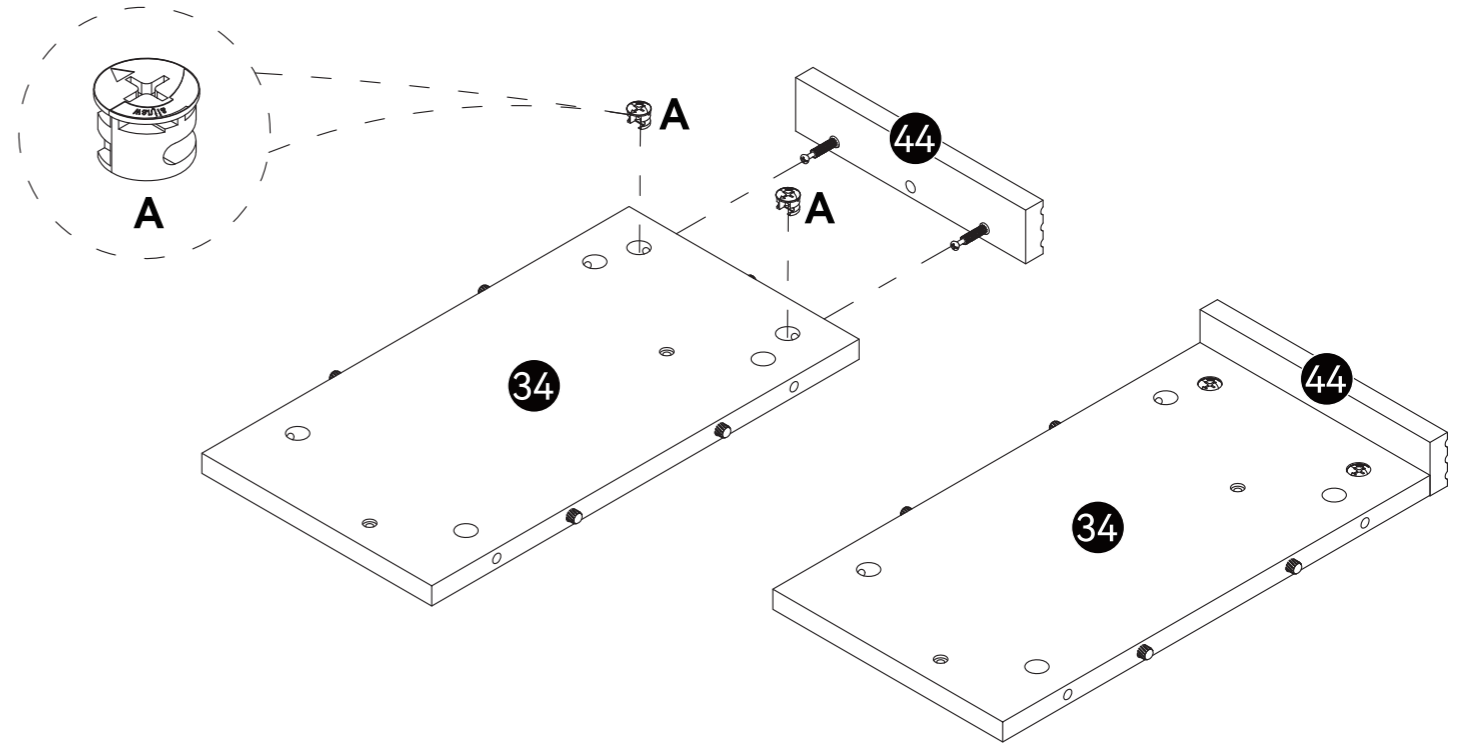
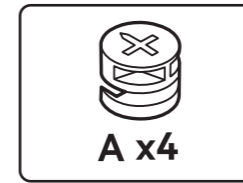


x2

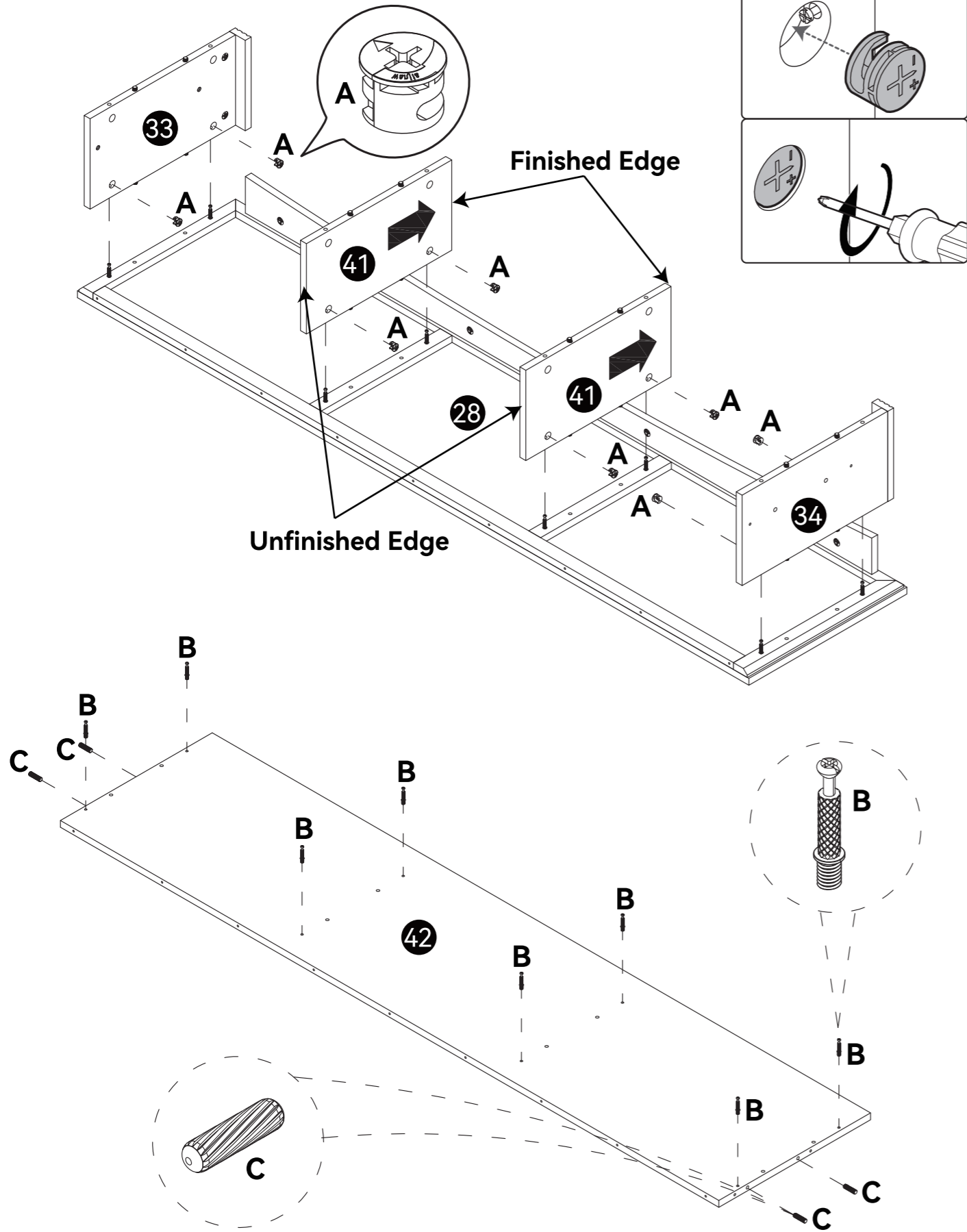
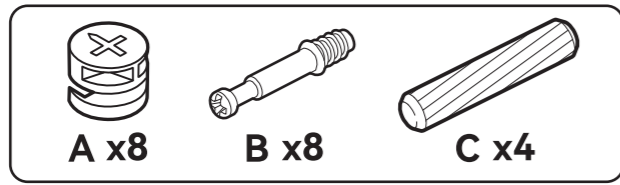
27



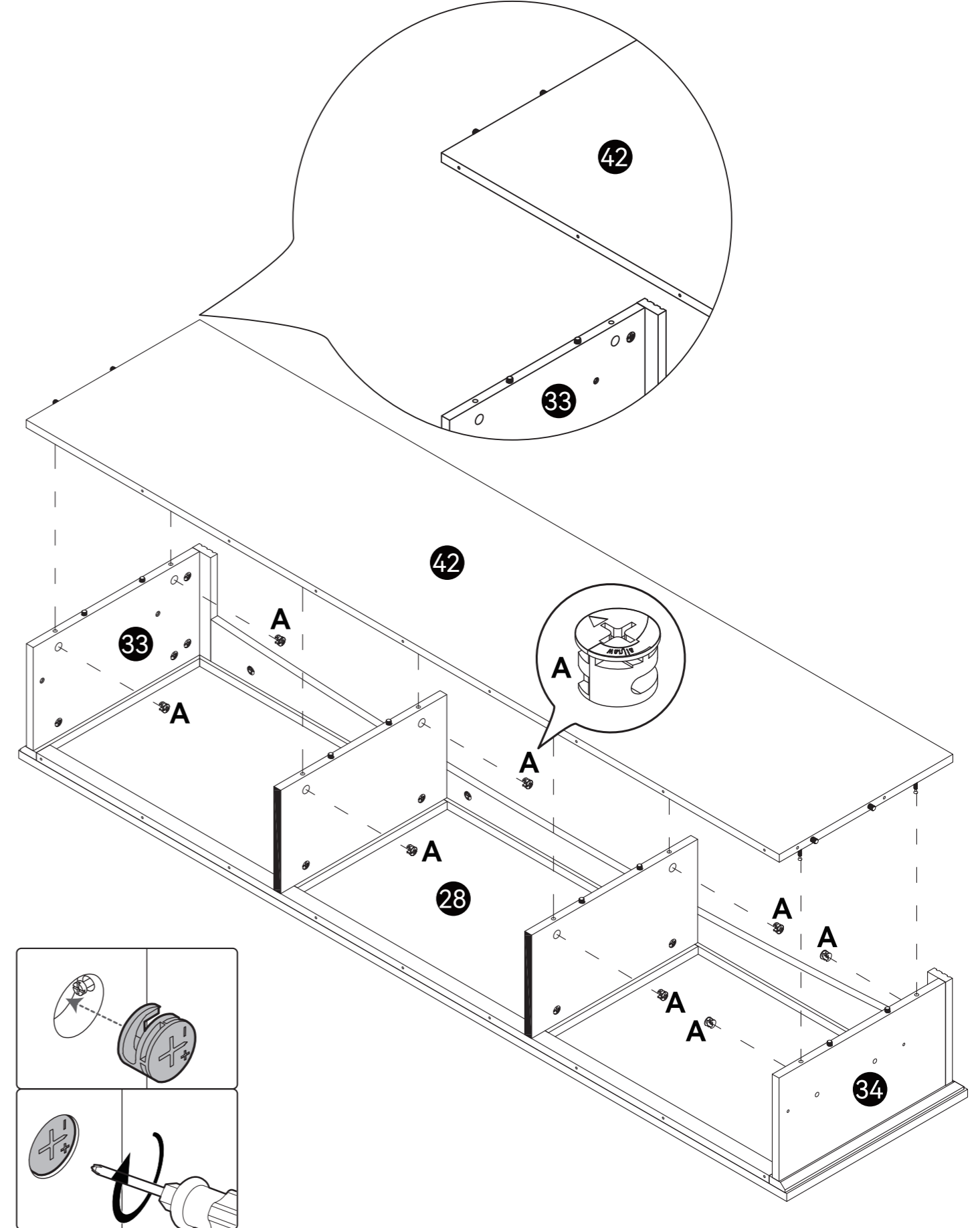
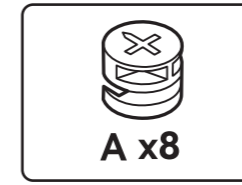
28



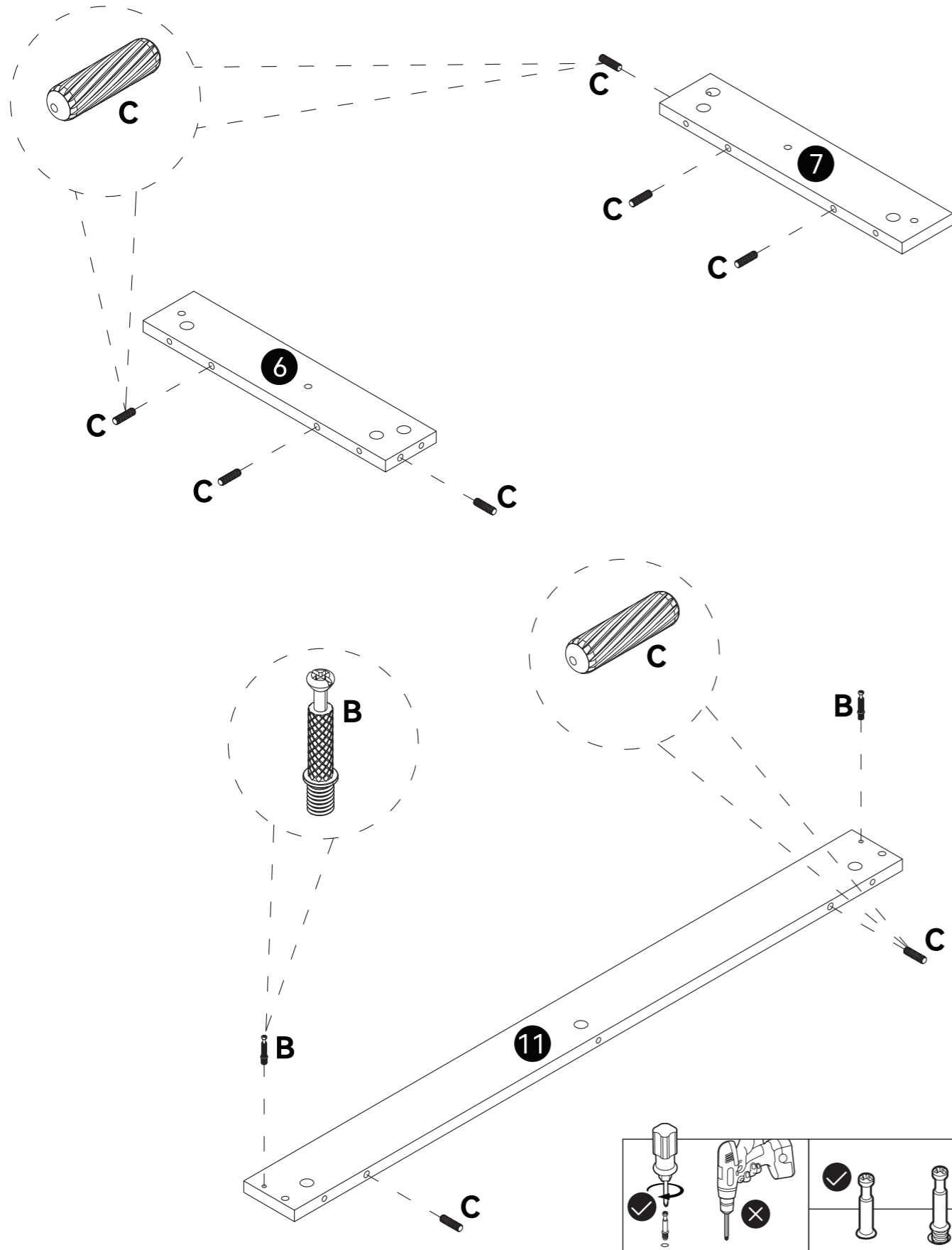
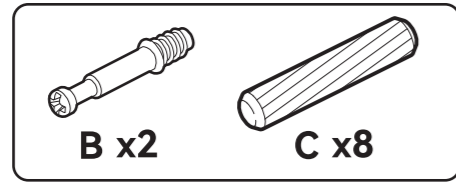
29



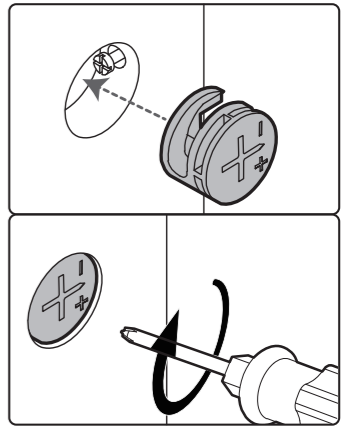
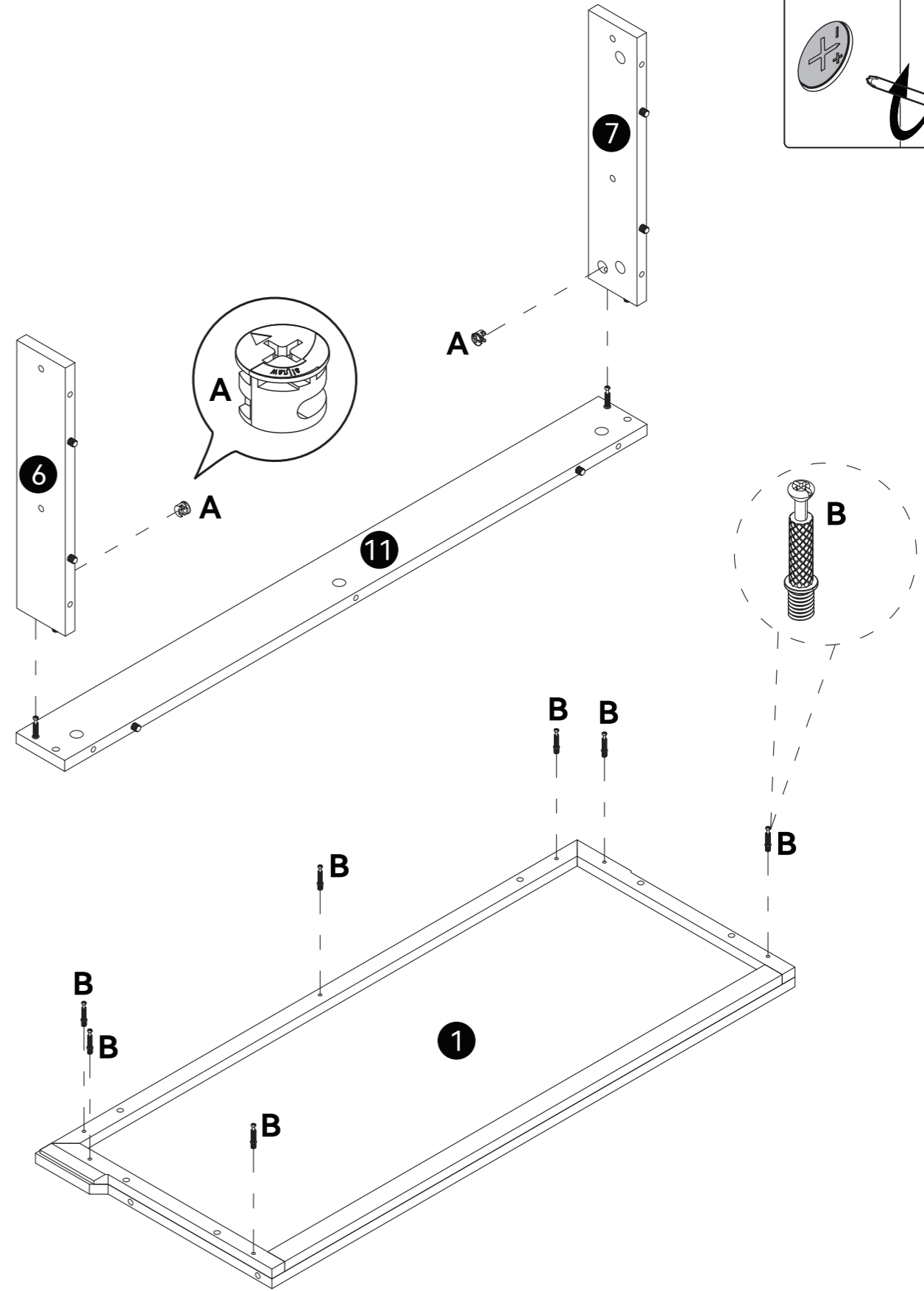
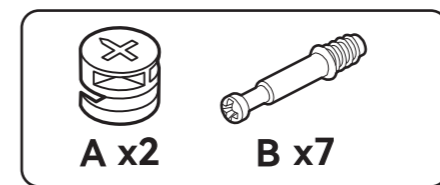
30



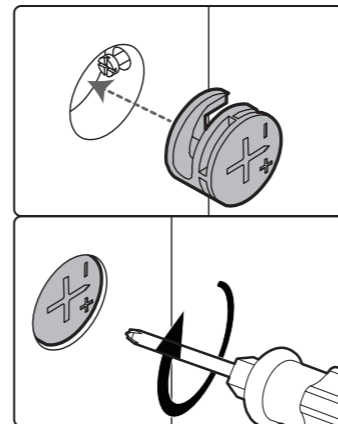
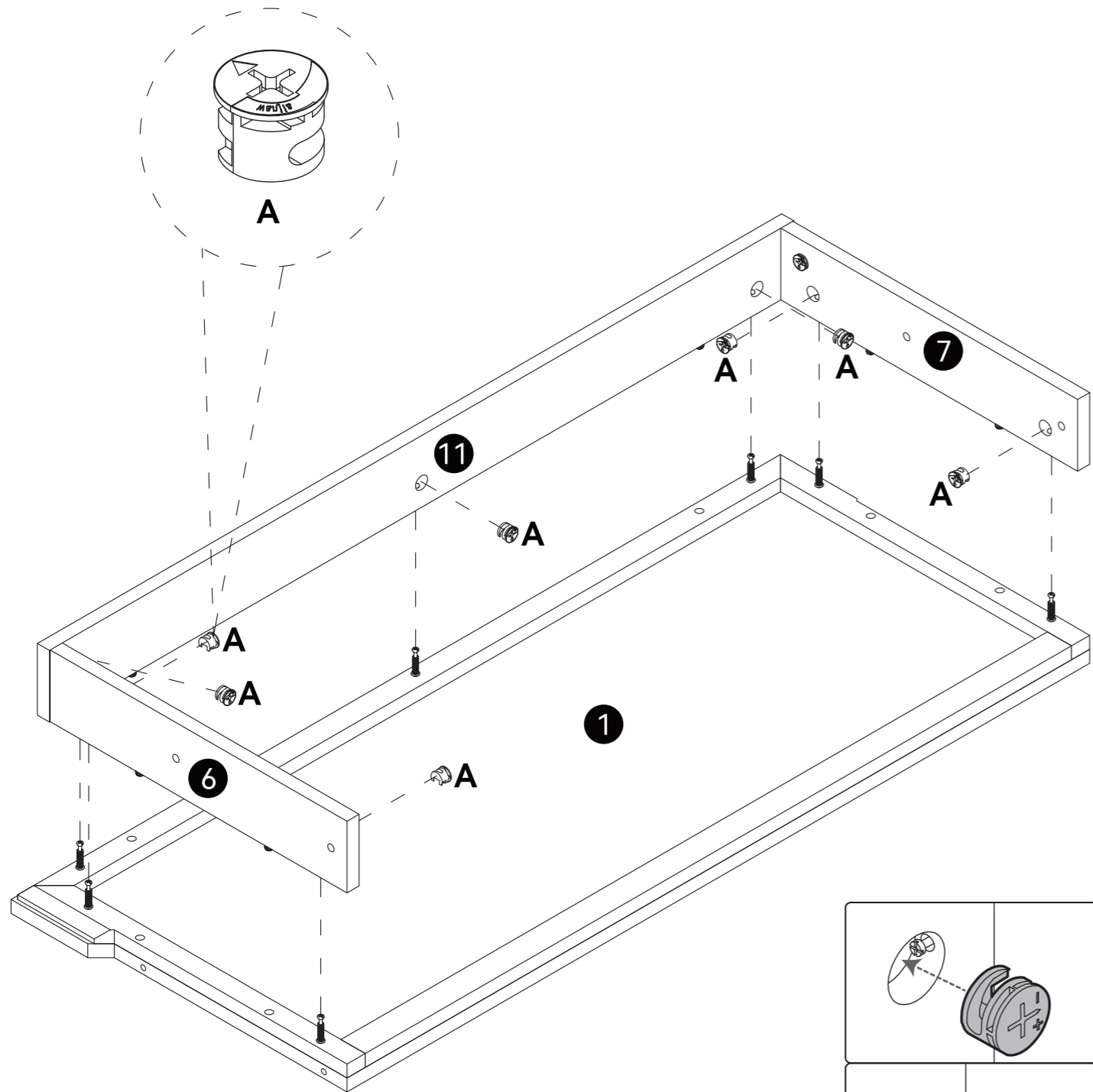
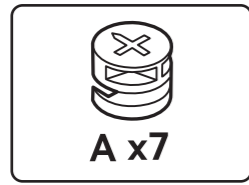
31



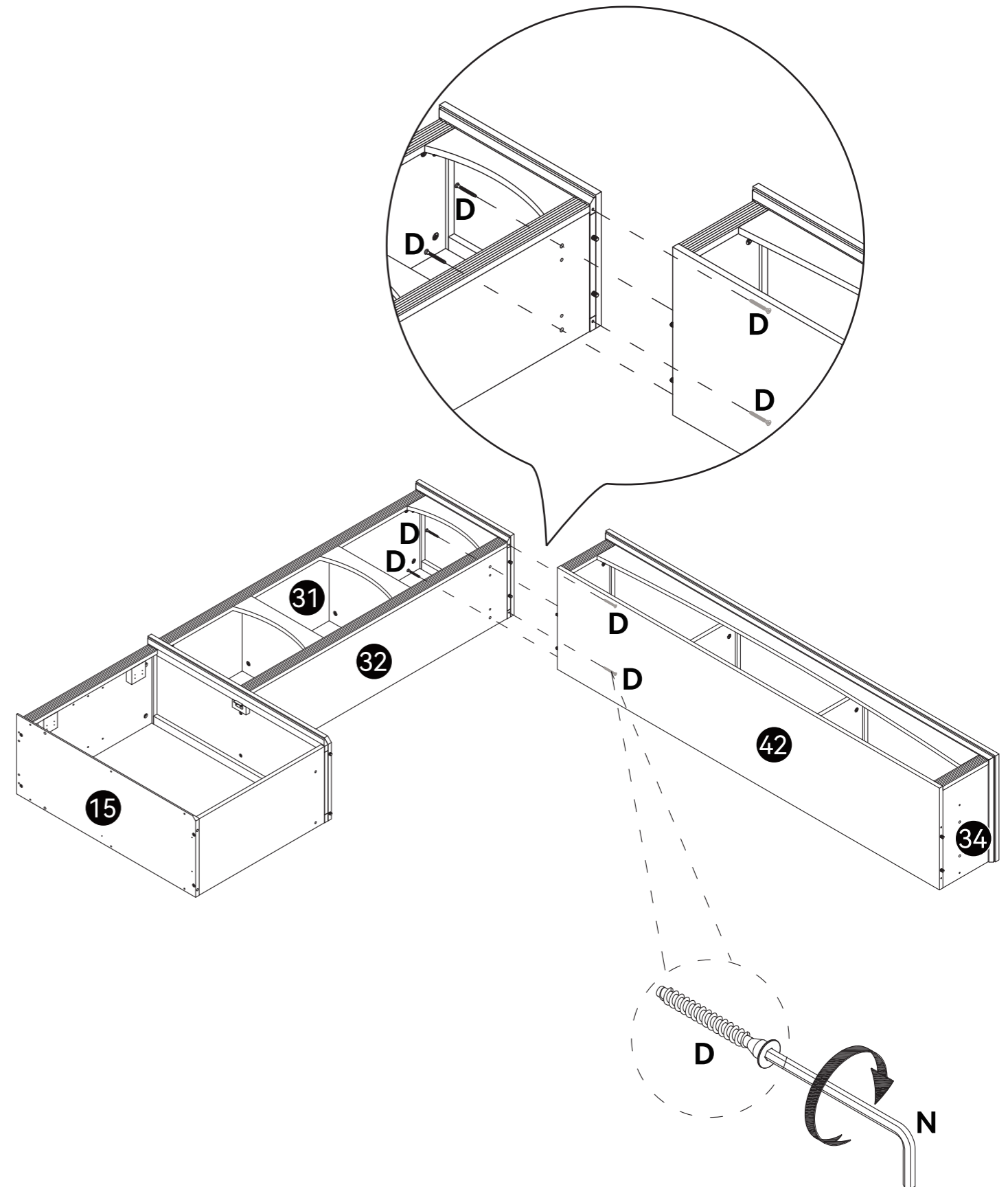
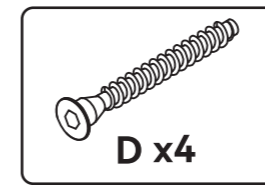
32



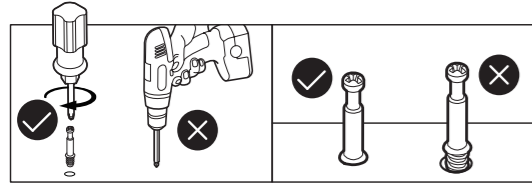
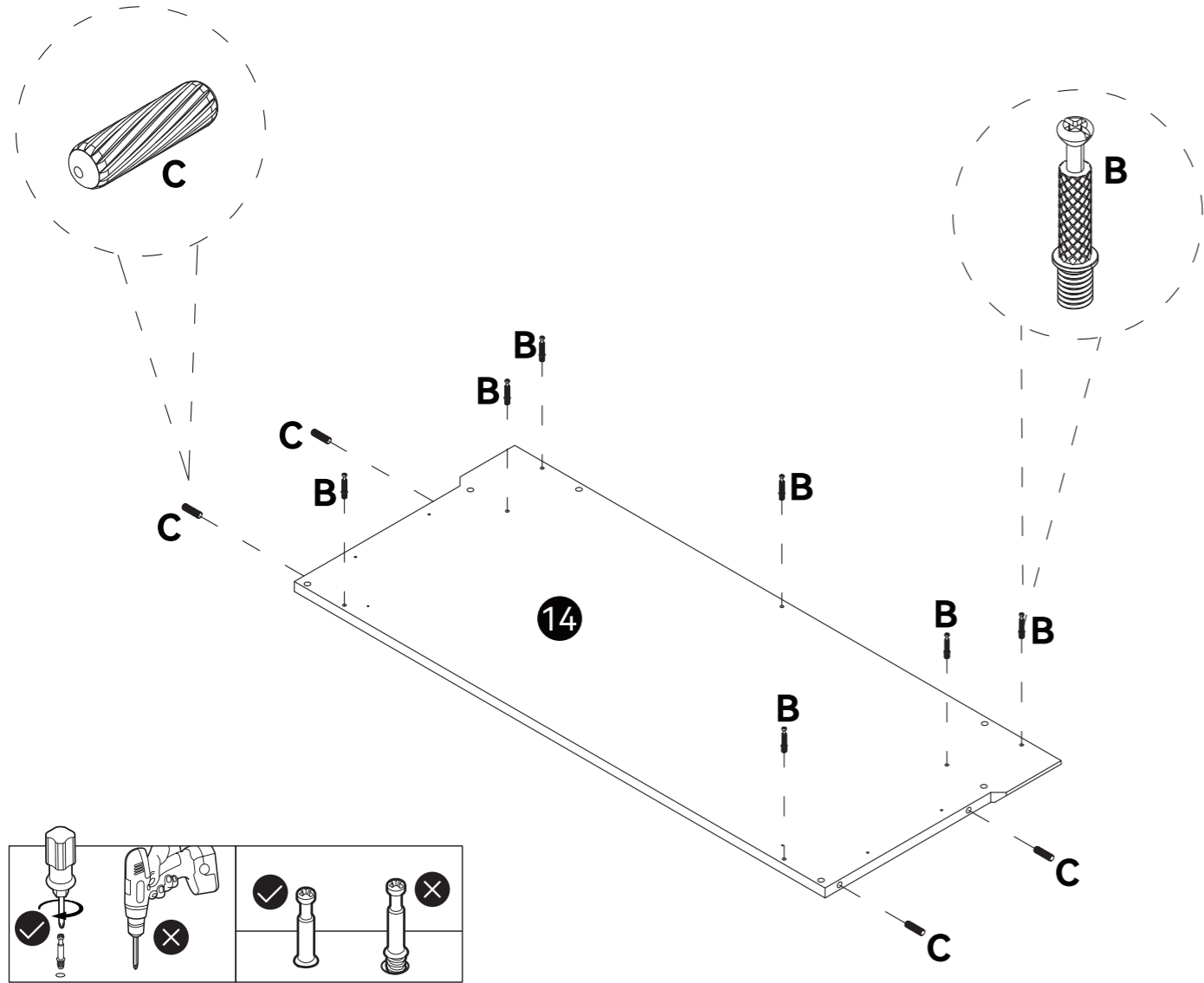
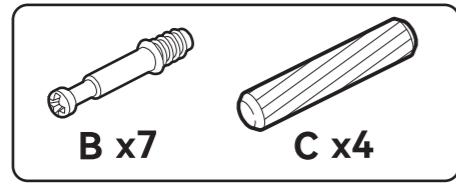
33



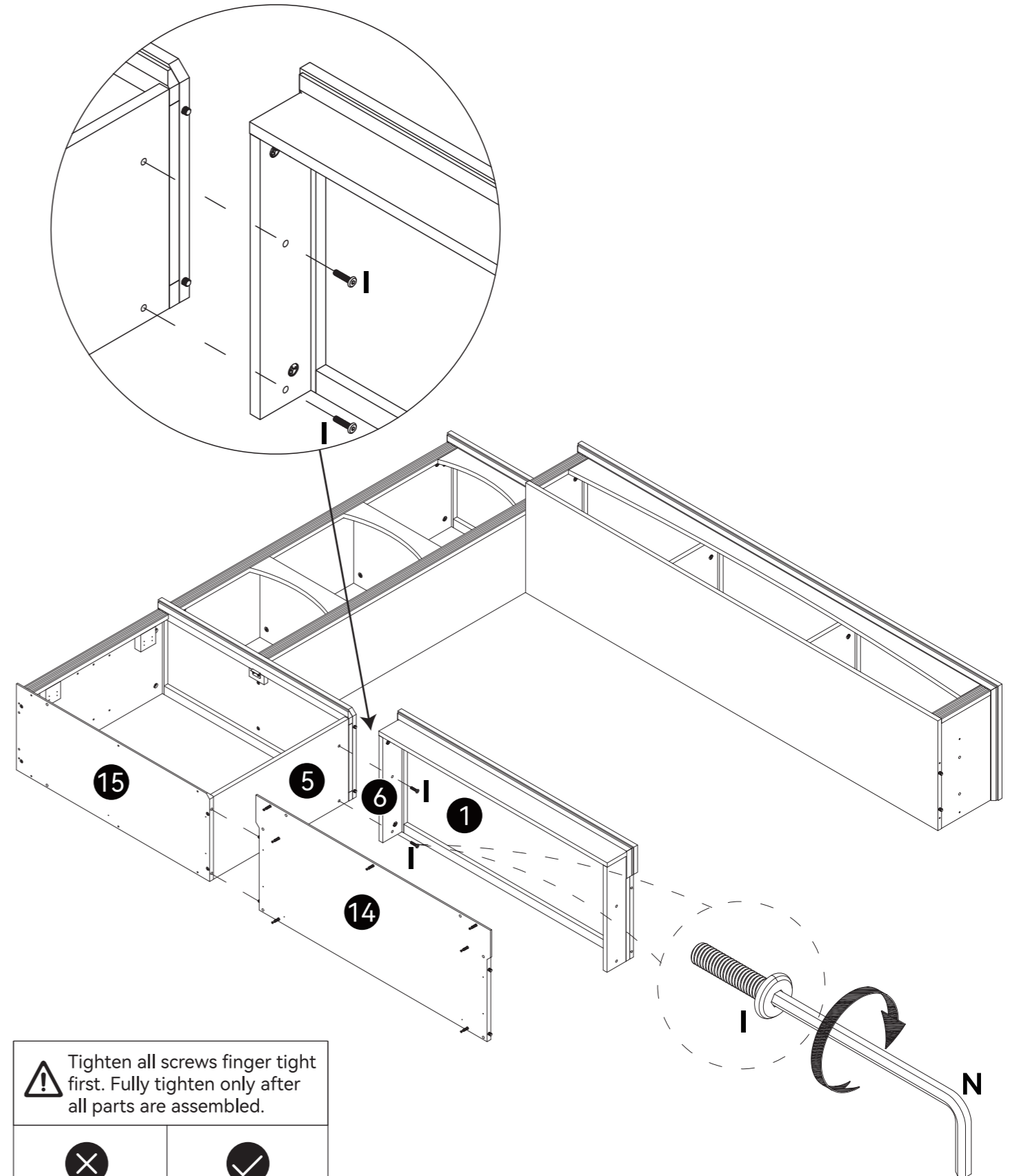
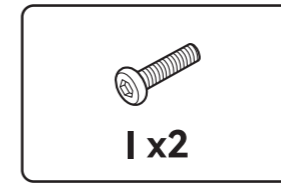
34



35



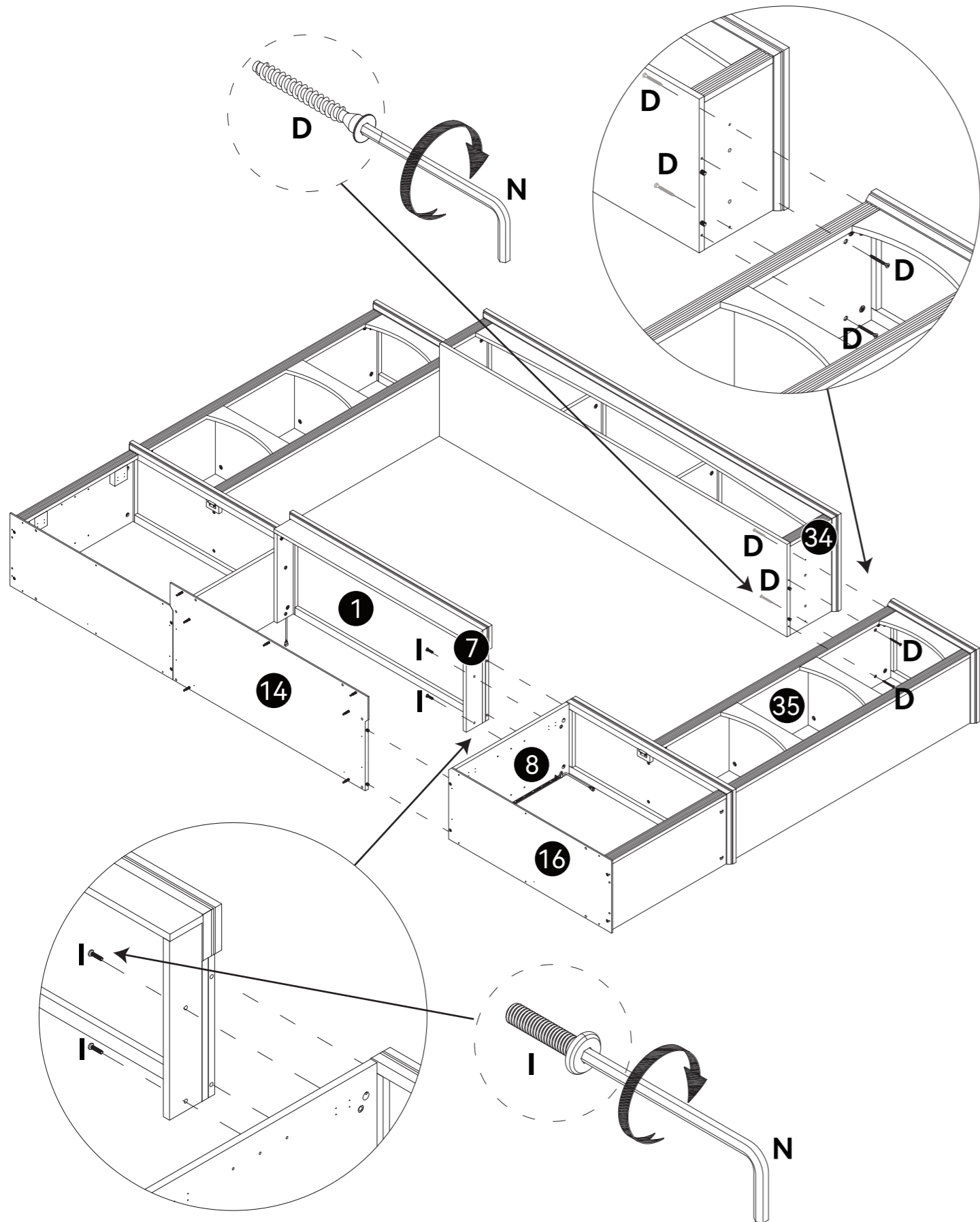
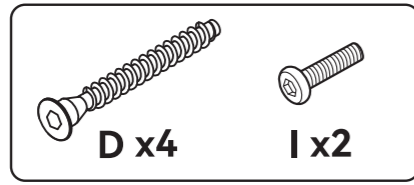
36



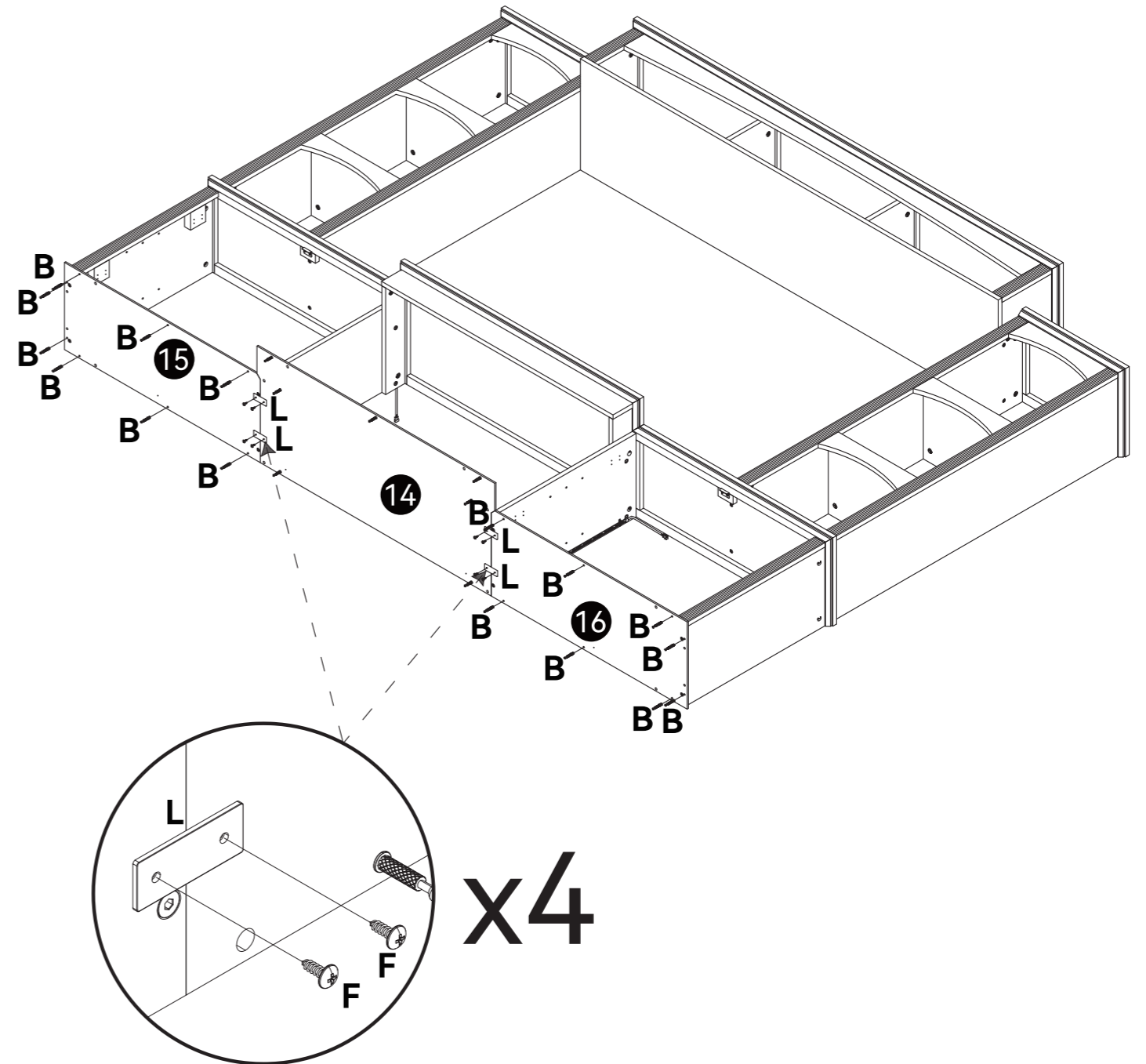
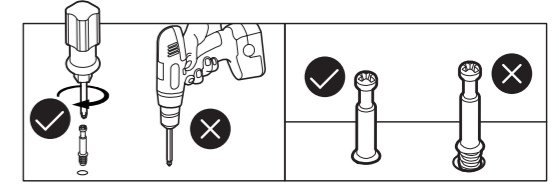
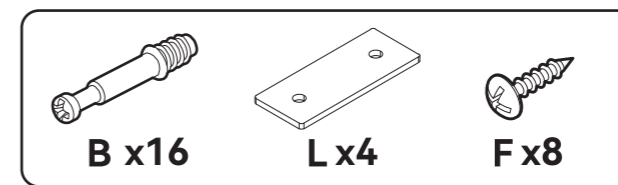
⚠ Tighten all screws finger tight first. Fully tighten only after all parts are assembled.

| | |
|---|---|
| ✗ | ✓ |
| | |

37

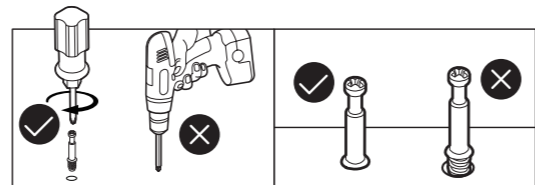
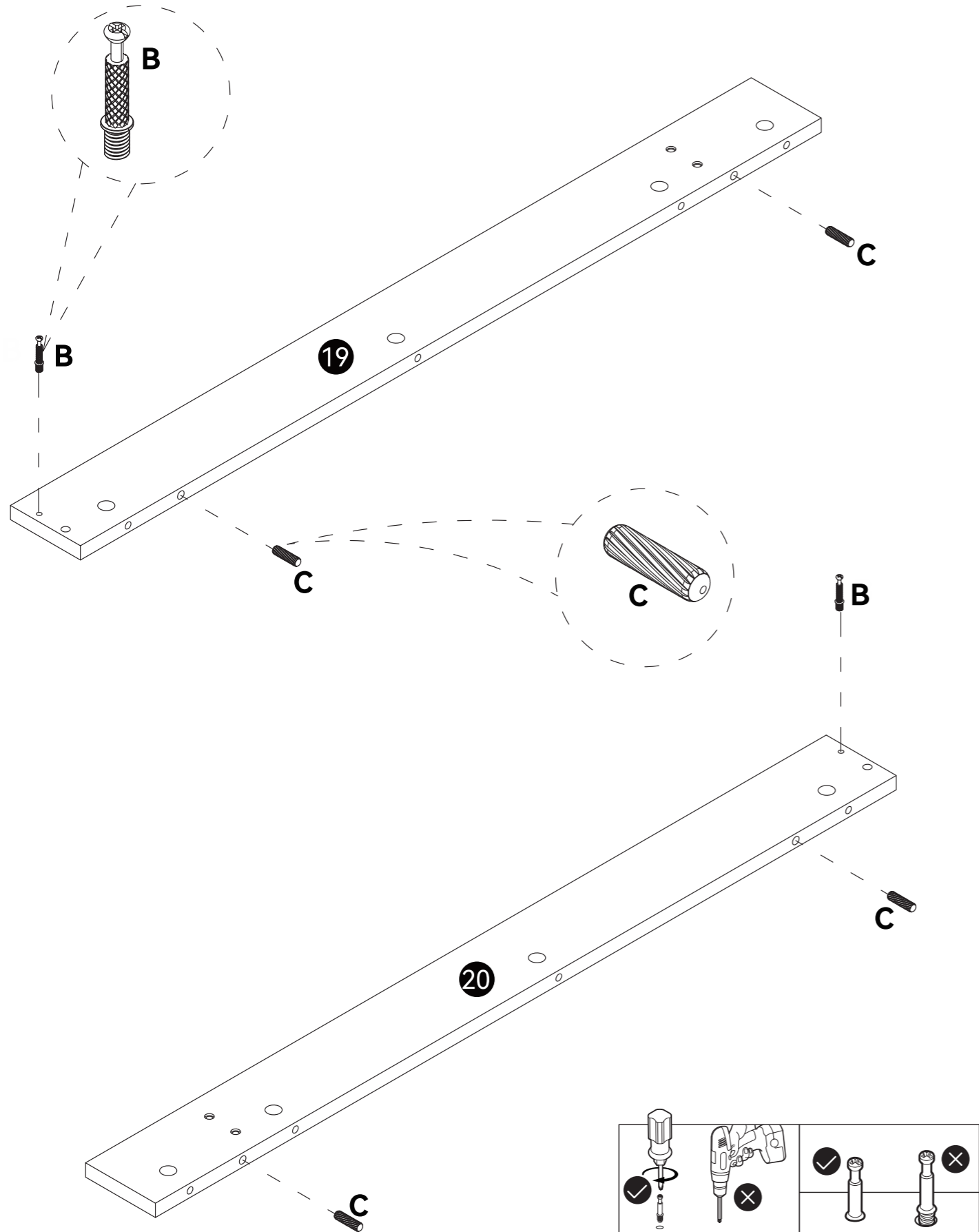
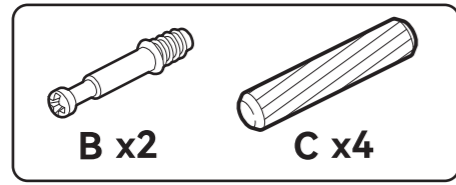


38

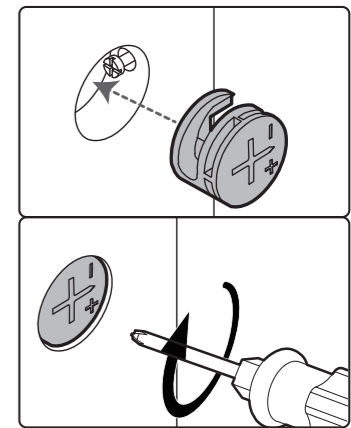
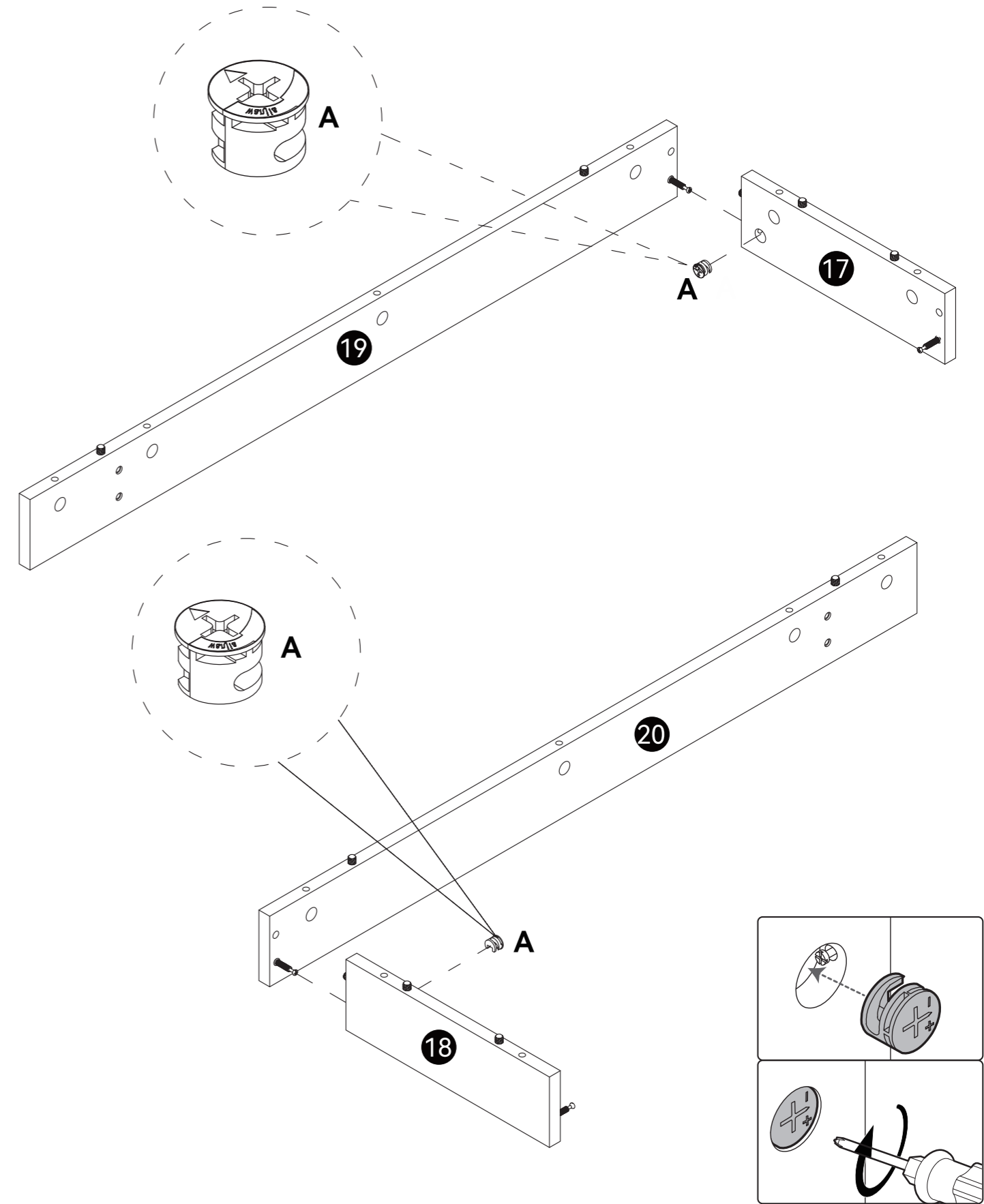
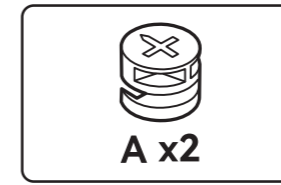


x4

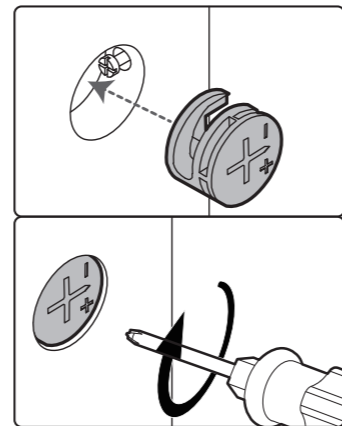
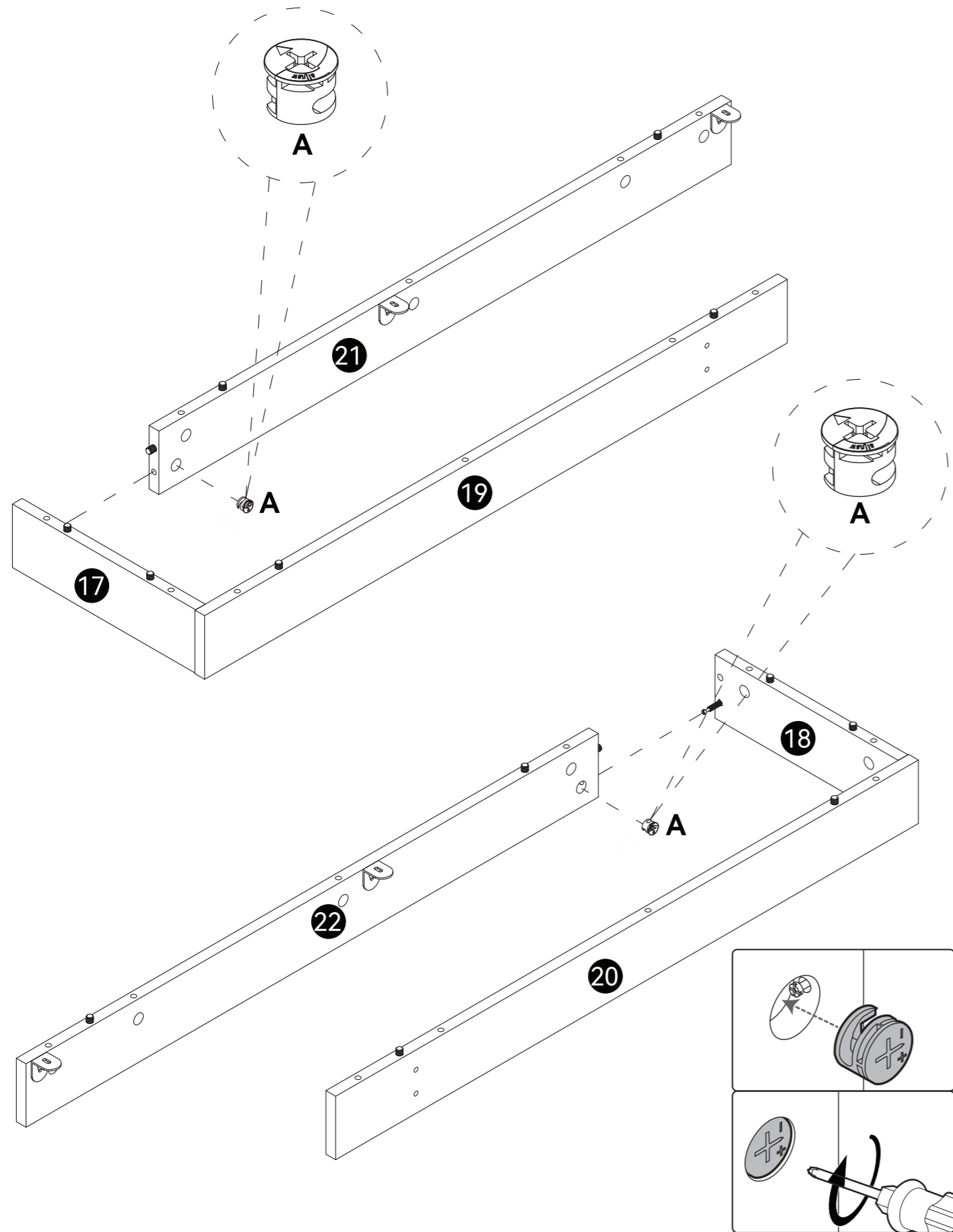
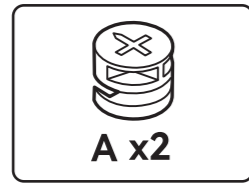
41



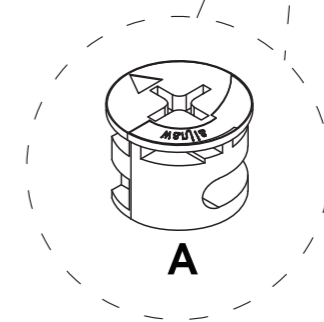
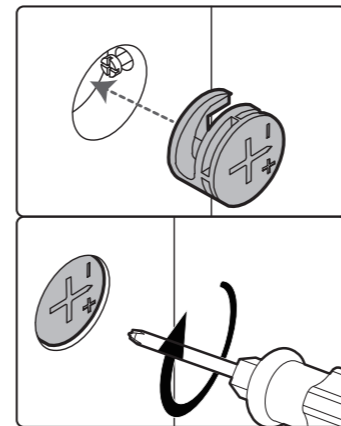
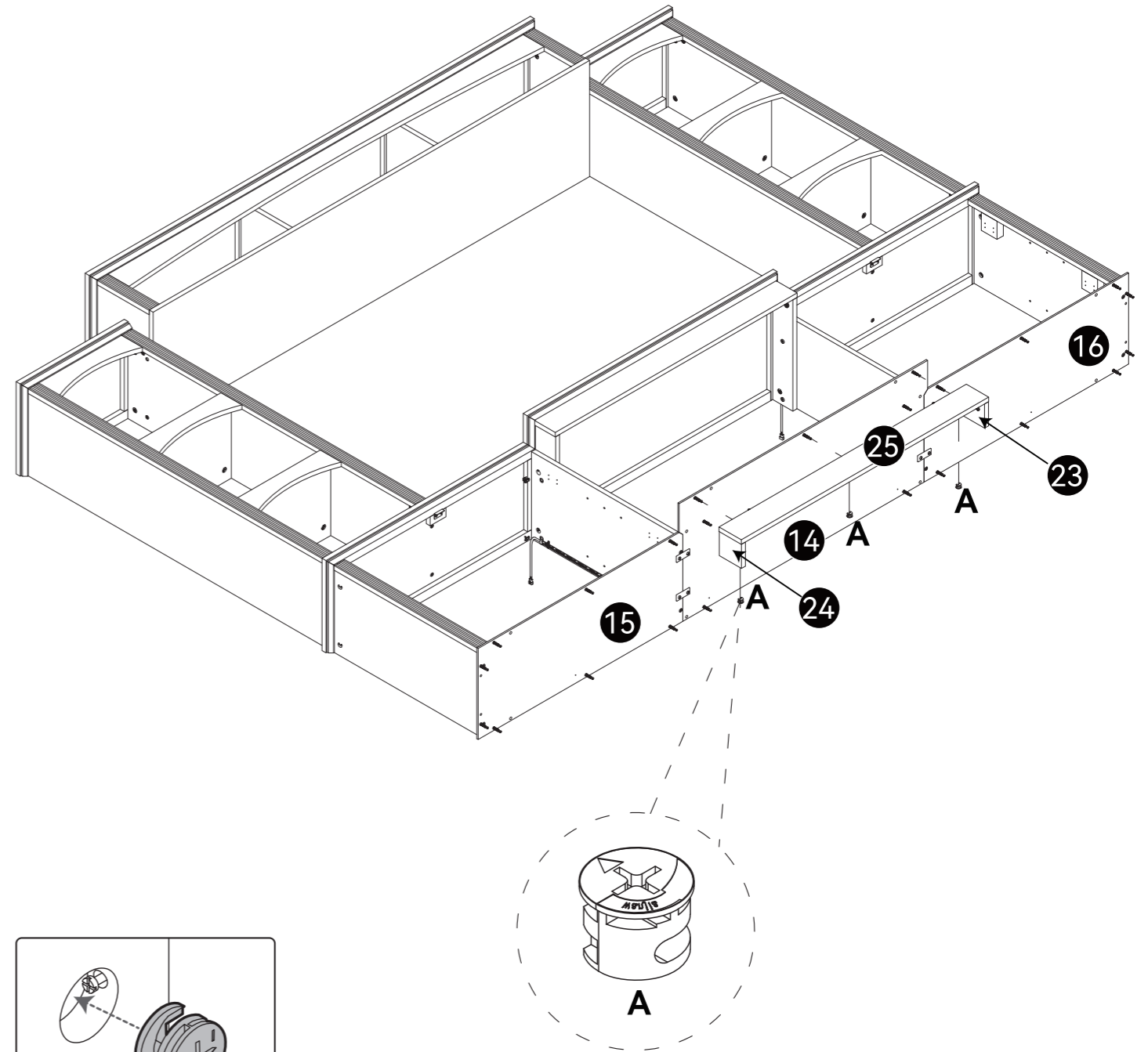
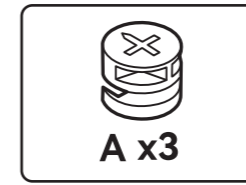
42



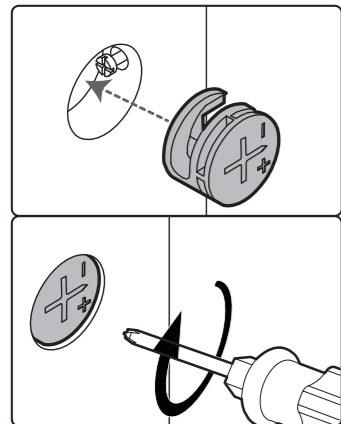
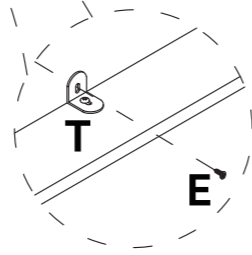
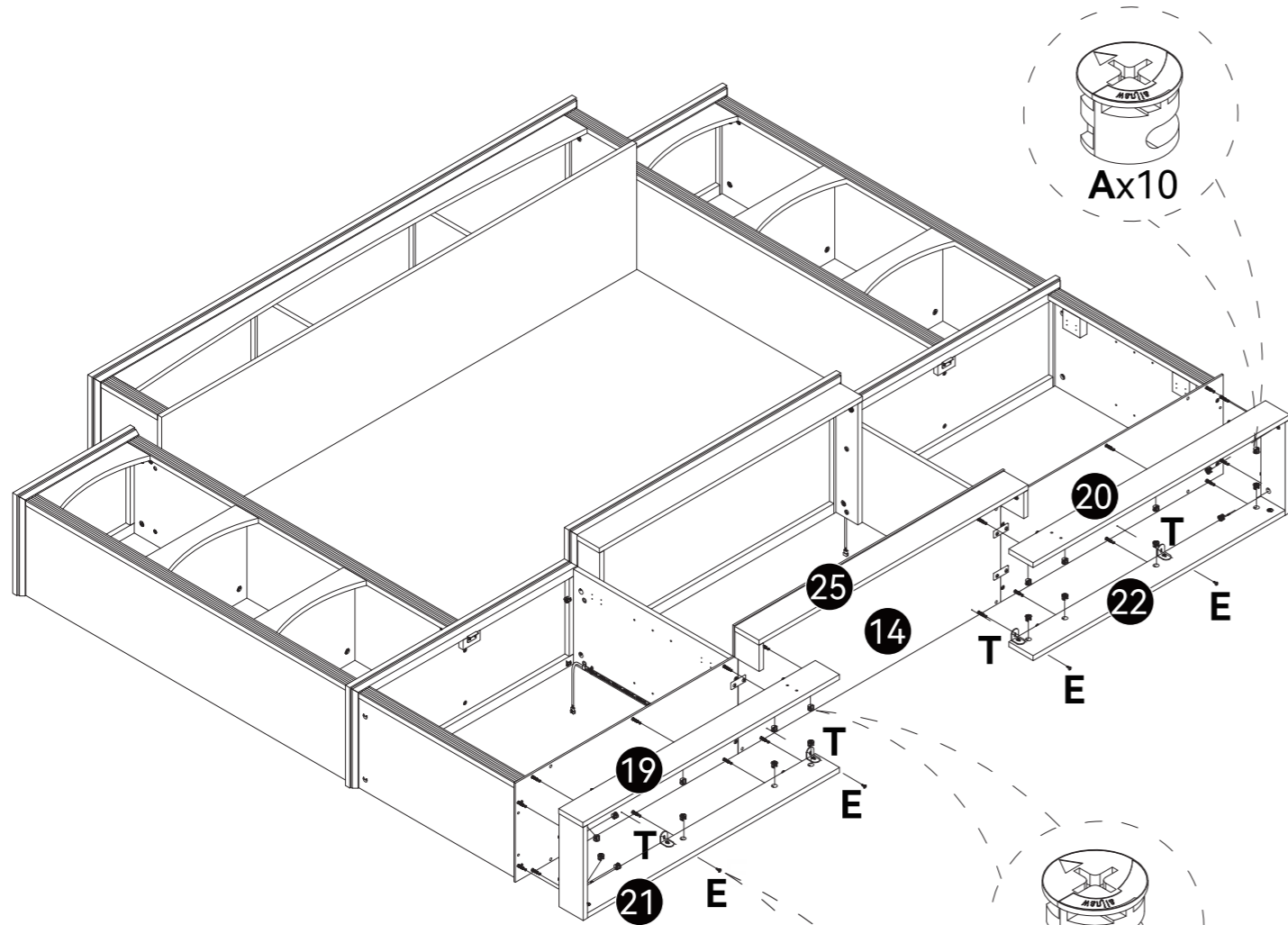
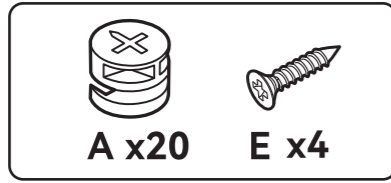
43



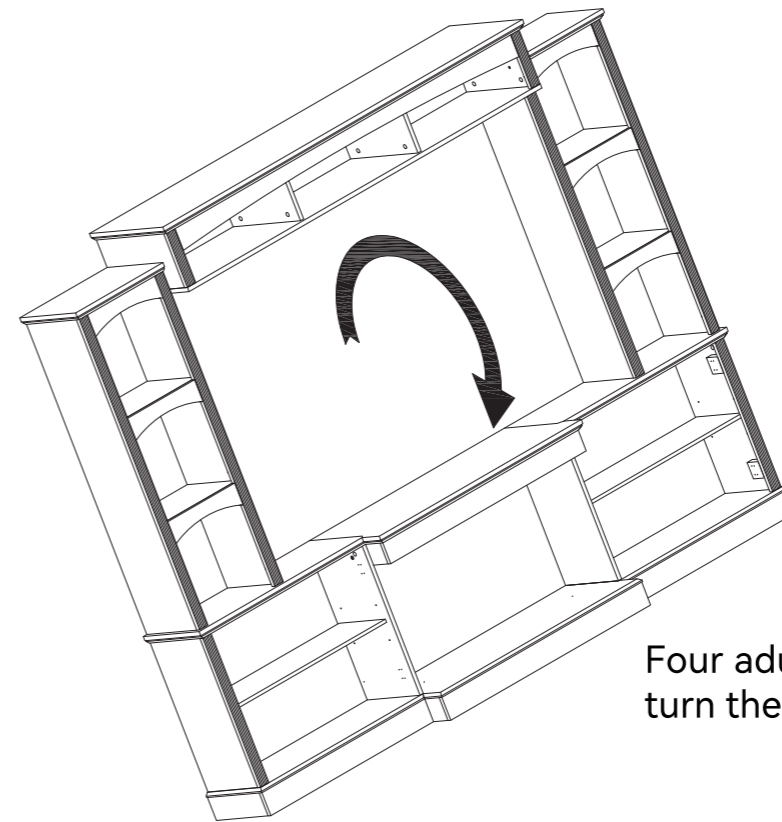
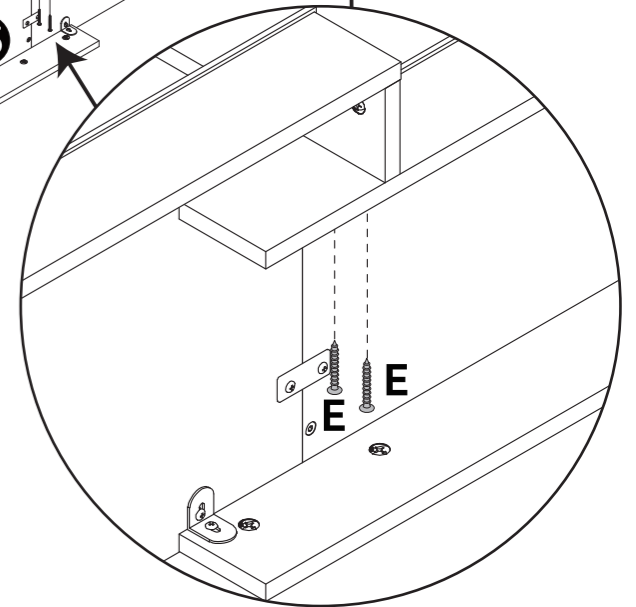
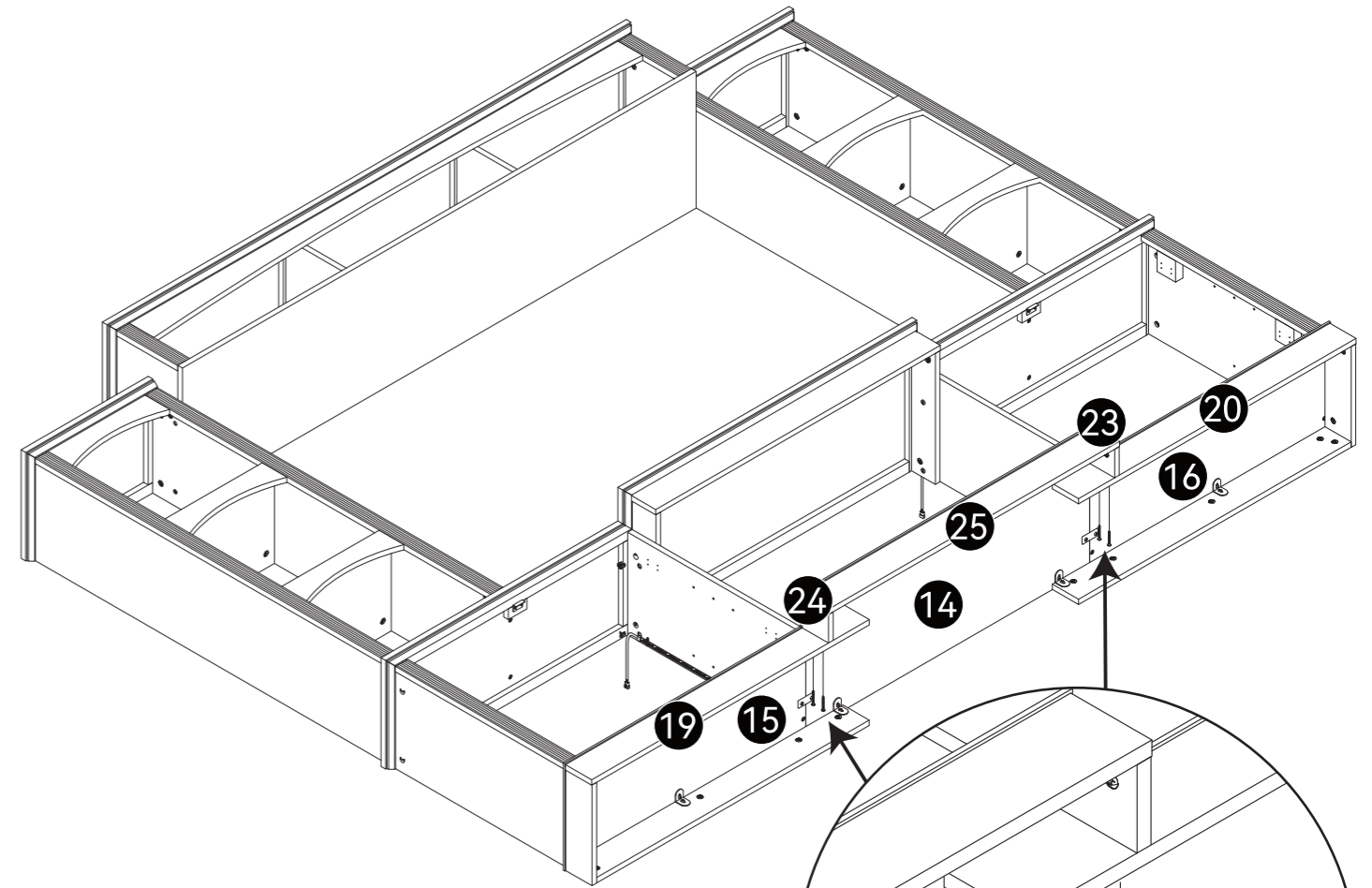
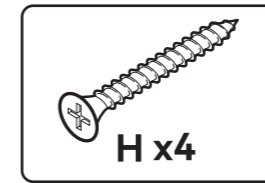
44



45

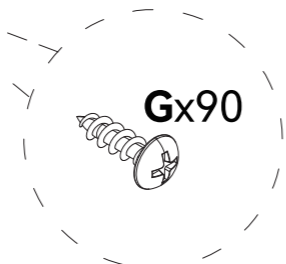
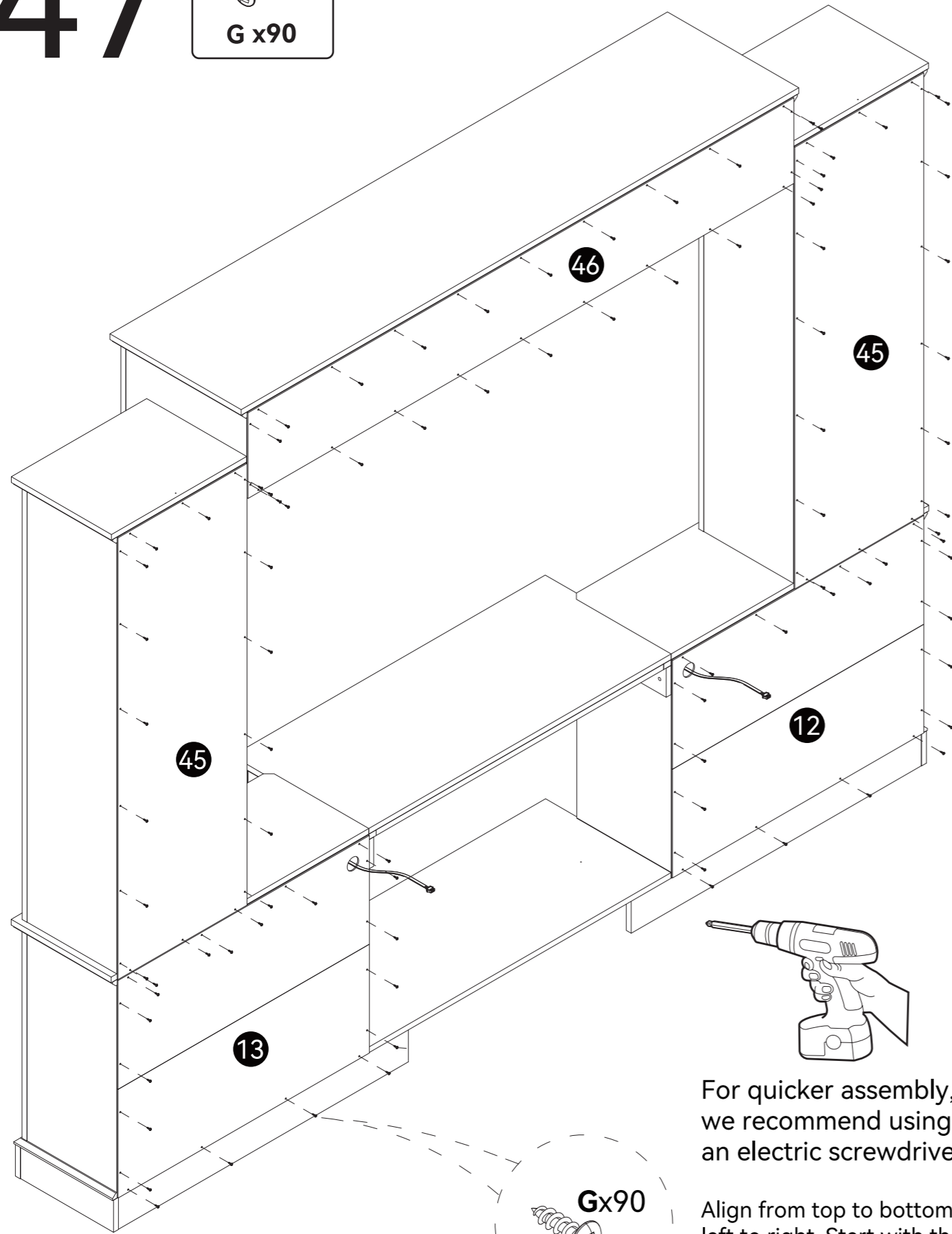


46



Four adults are required to turn the TV stand upright.

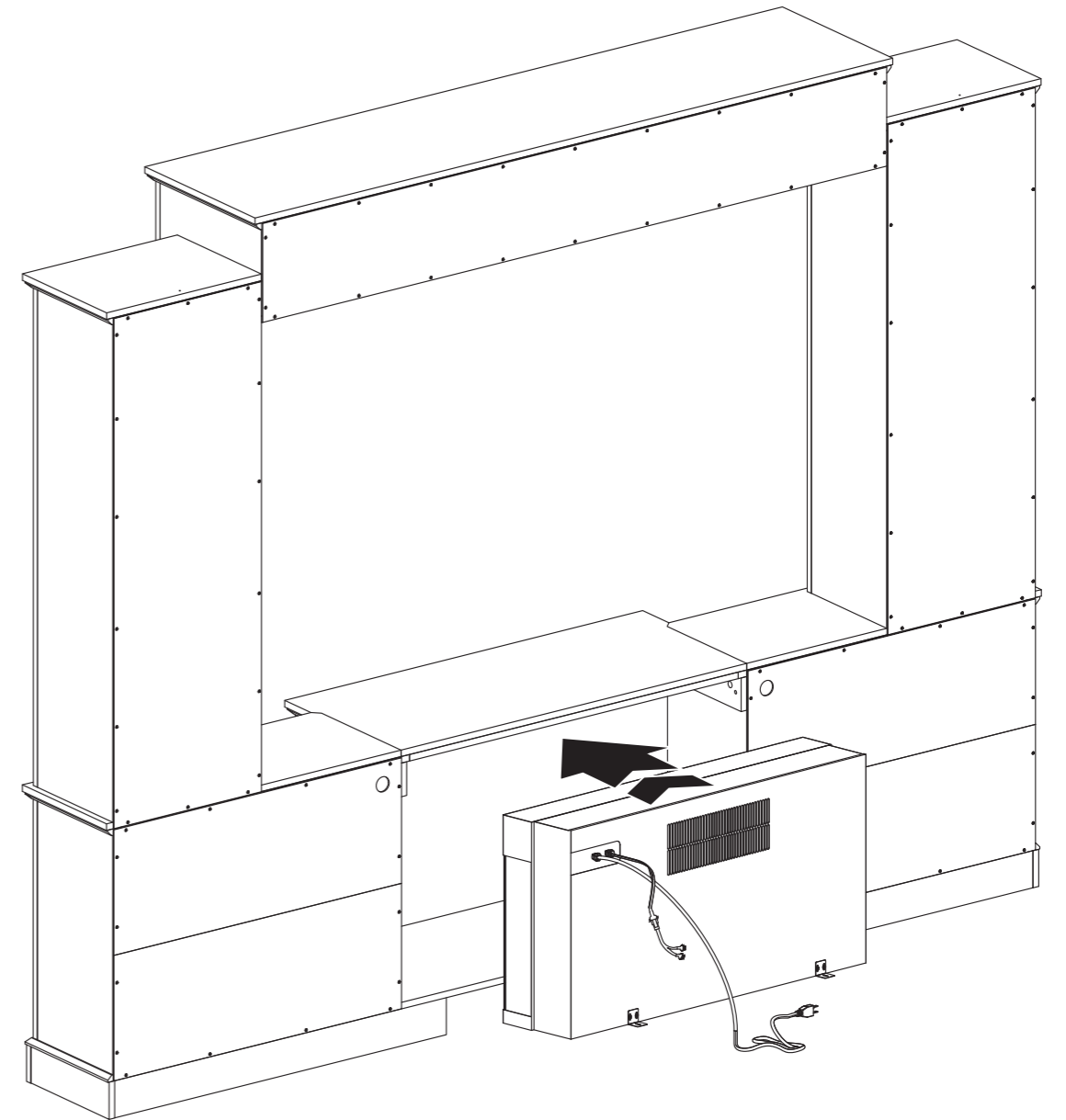
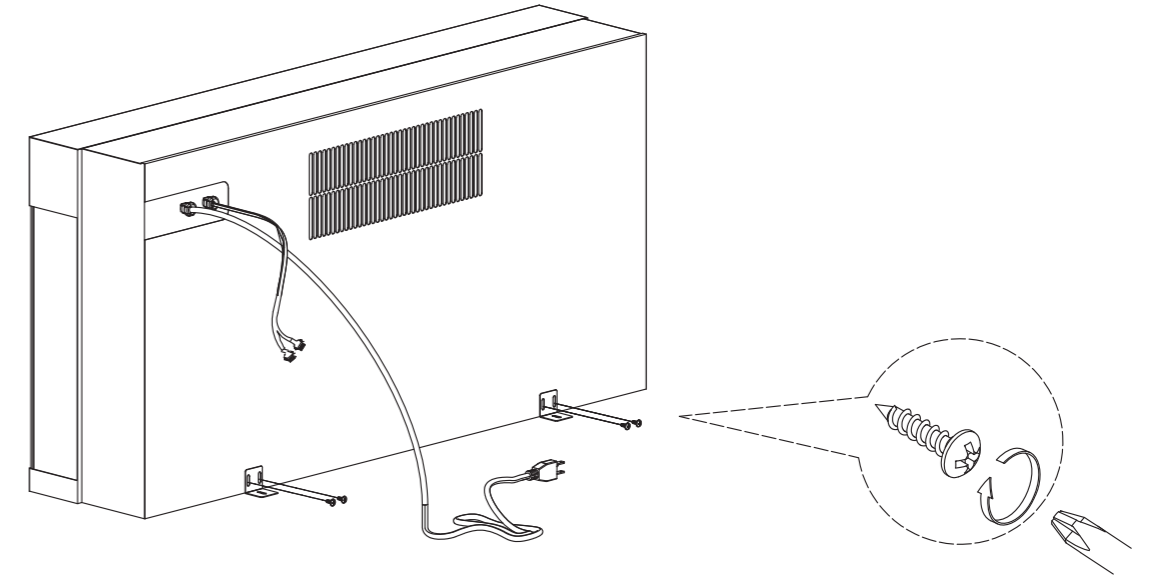
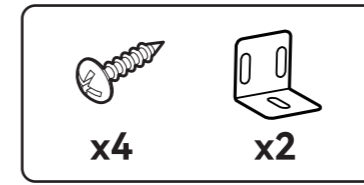
47



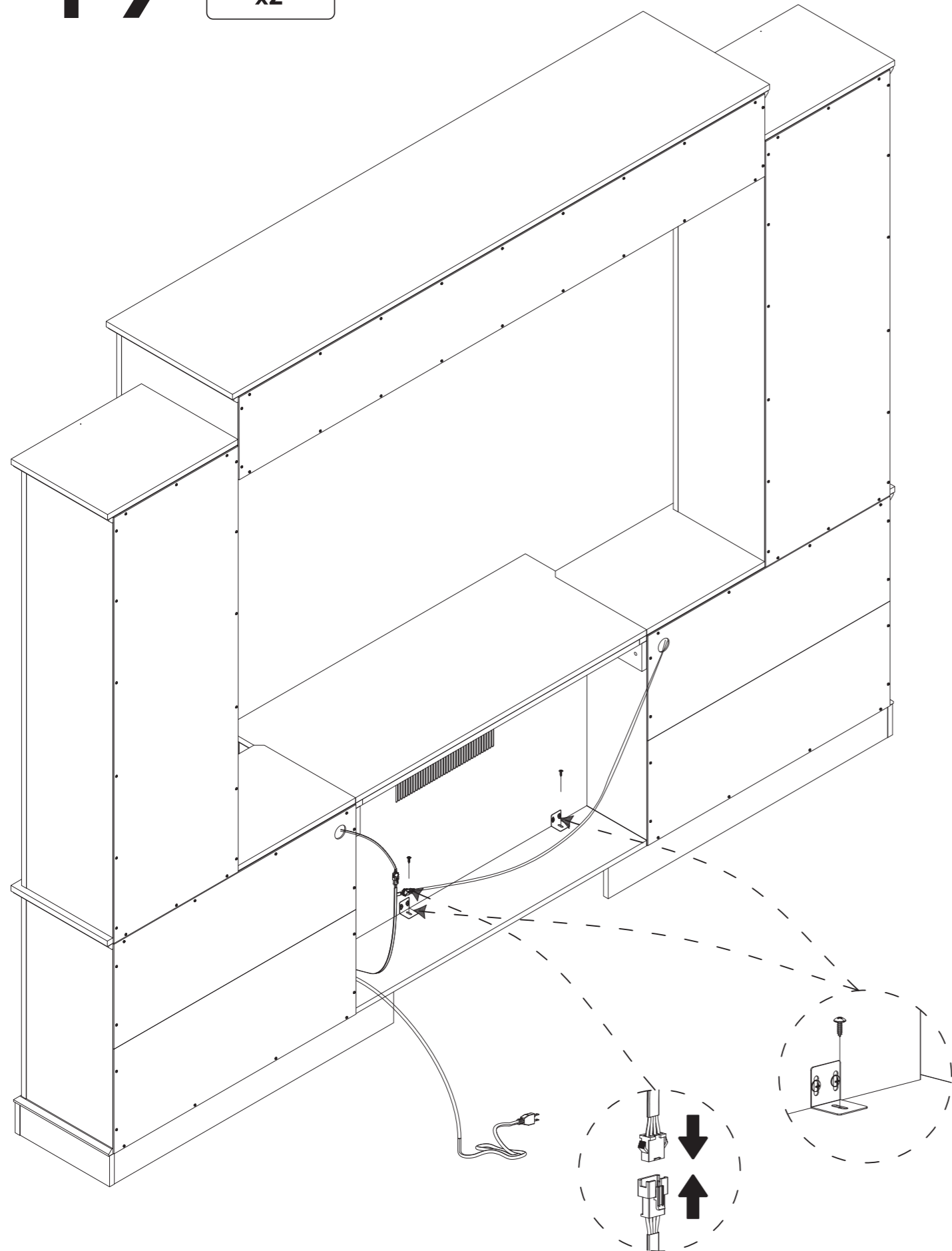
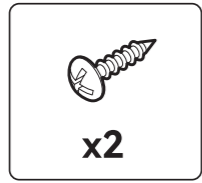
For quicker assembly, we recommend using an electric screwdriver.

Align from top to bottom, left to right. Start with the ones with holes at the top, then the remaining holes.

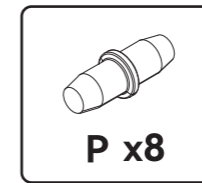
48



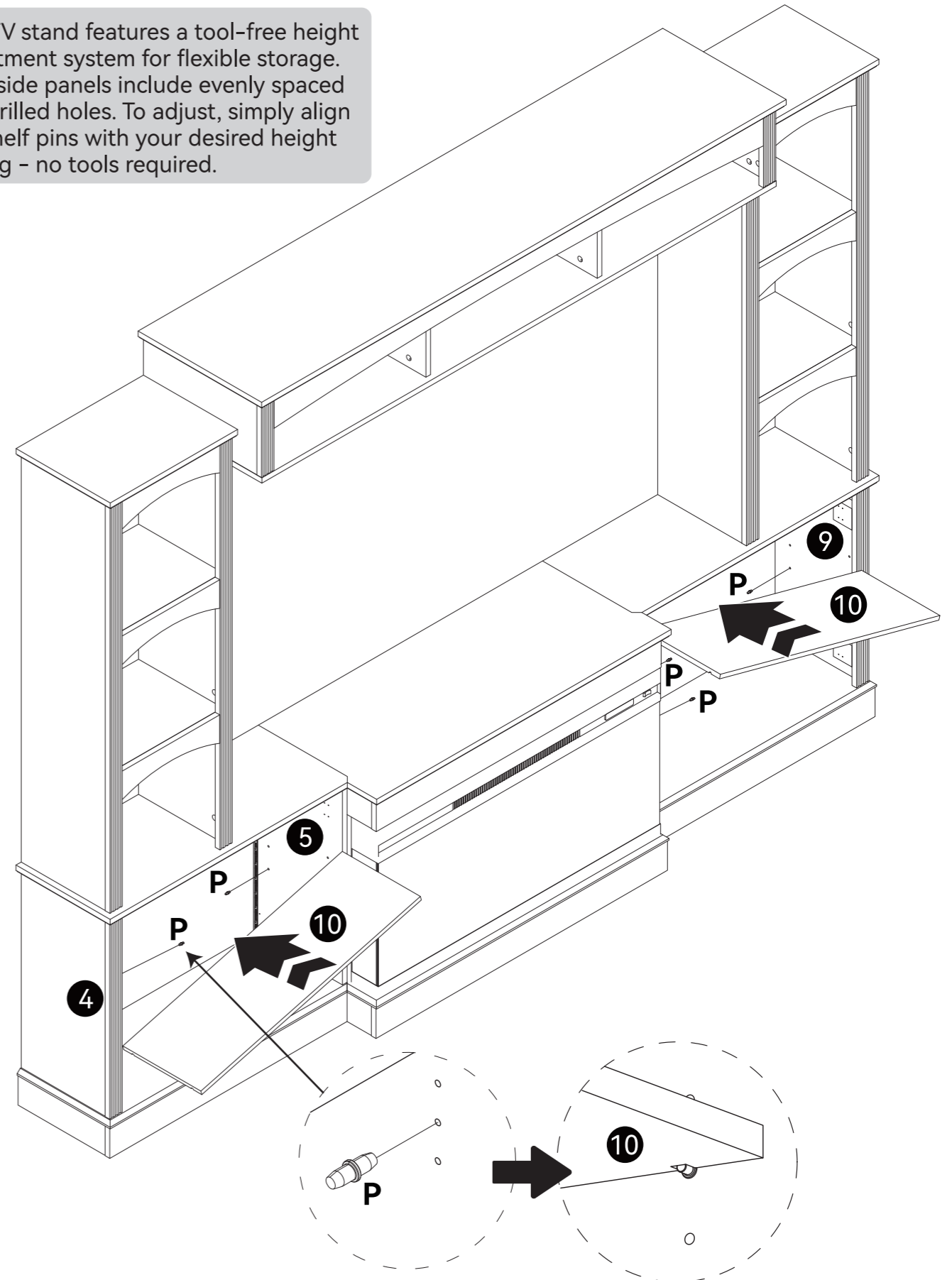
49



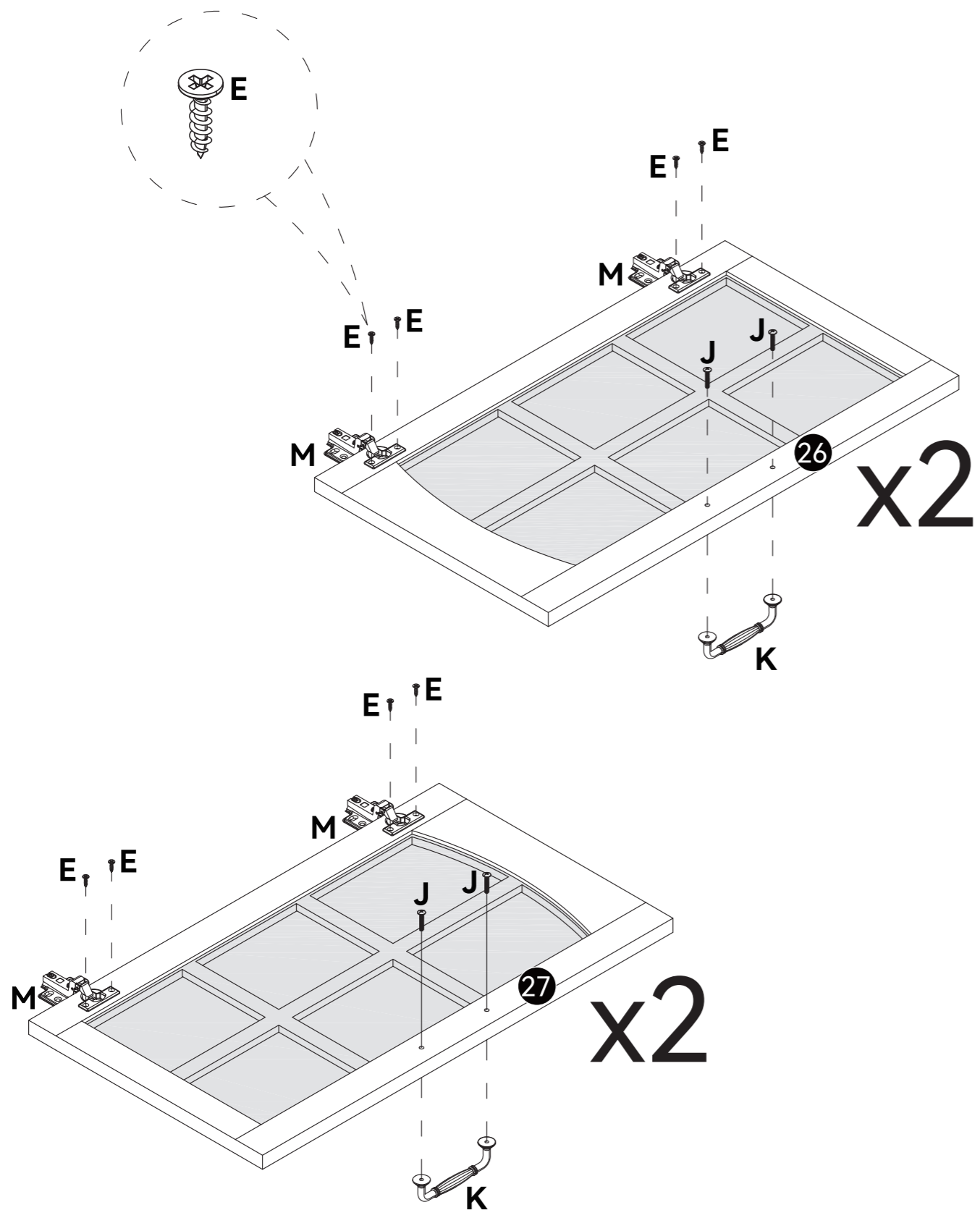
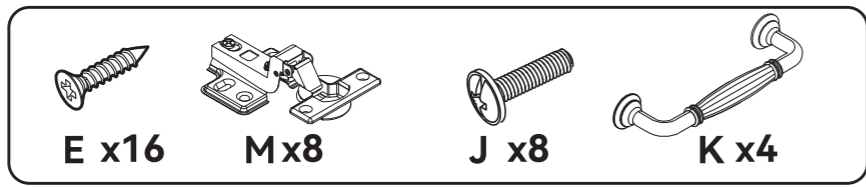
50



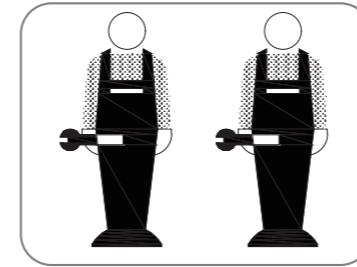
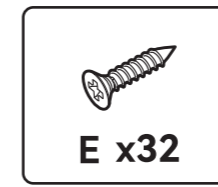
This TV stand features a tool-free height adjustment system for flexible storage. Both side panels include evenly spaced pre-drilled holes. To adjust, simply align the shelf pins with your desired height setting - no tools required.



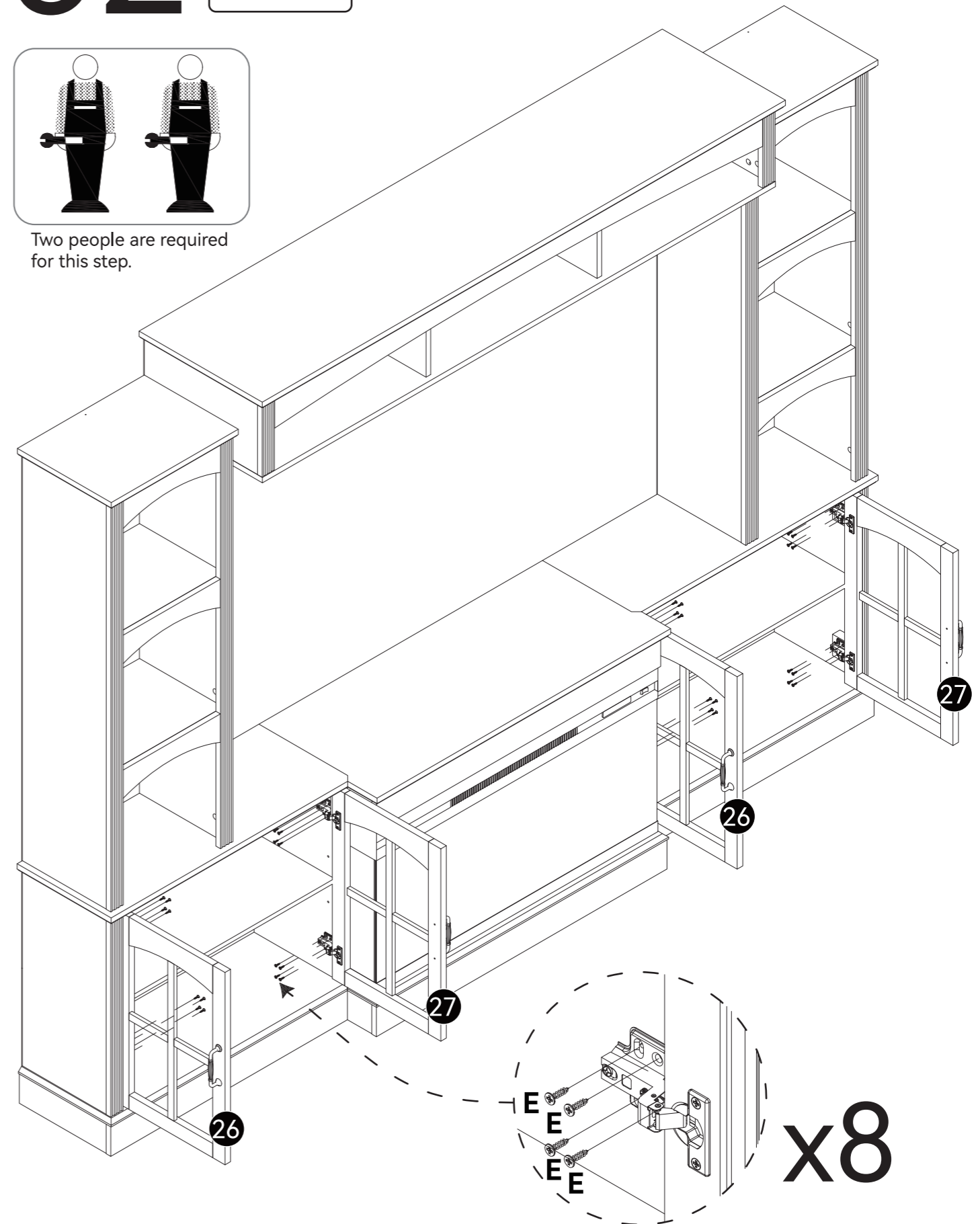
51



52

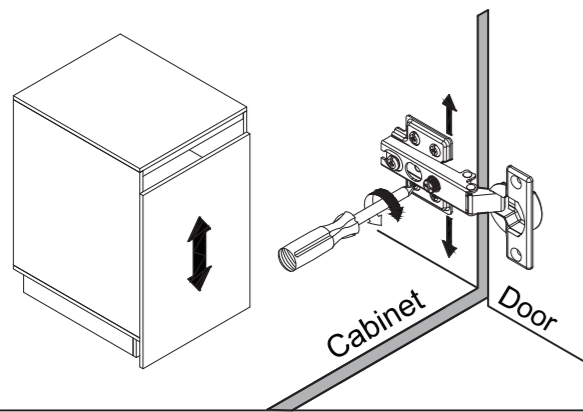
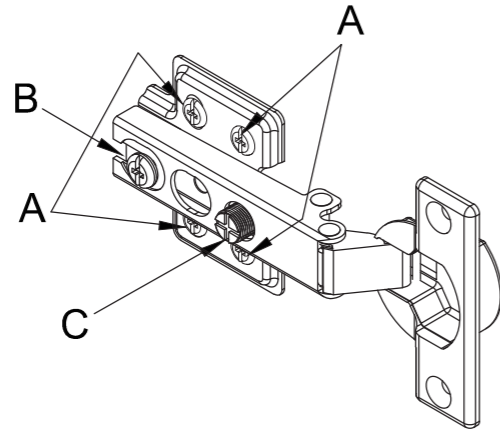


Two people are required for this step.

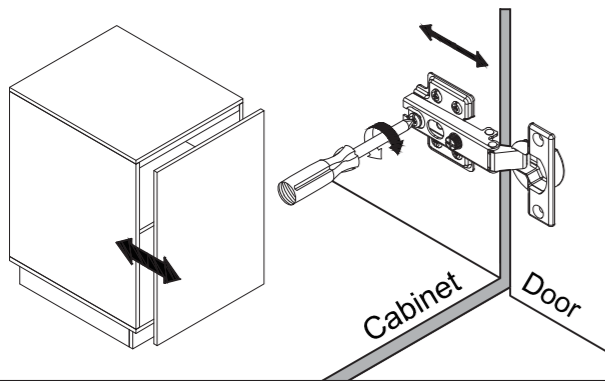


53

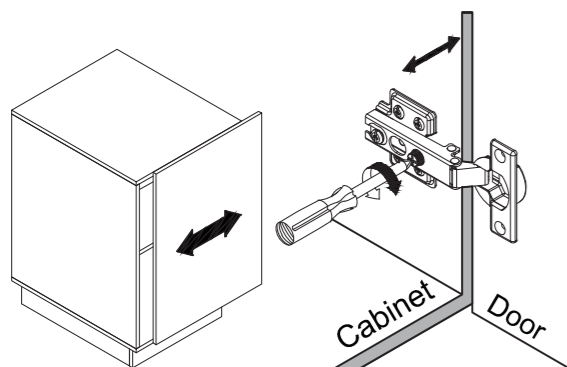
SCHEMATIC DIAGRAM OF HINGE ADJUSTMENT



To adjust the vertical height.
Loosen the four screws "A" on both hinges. Two of them are usually in slotted holes which allows you to adjust up or down by a few mm. Then tighten back up.

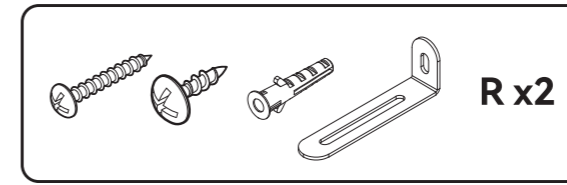


To adjust depth.
Loosen screw "B" and adjust door, if the door can not be adjusted, please loosen screw "C", then try again. Tighten screw "B" and "C".

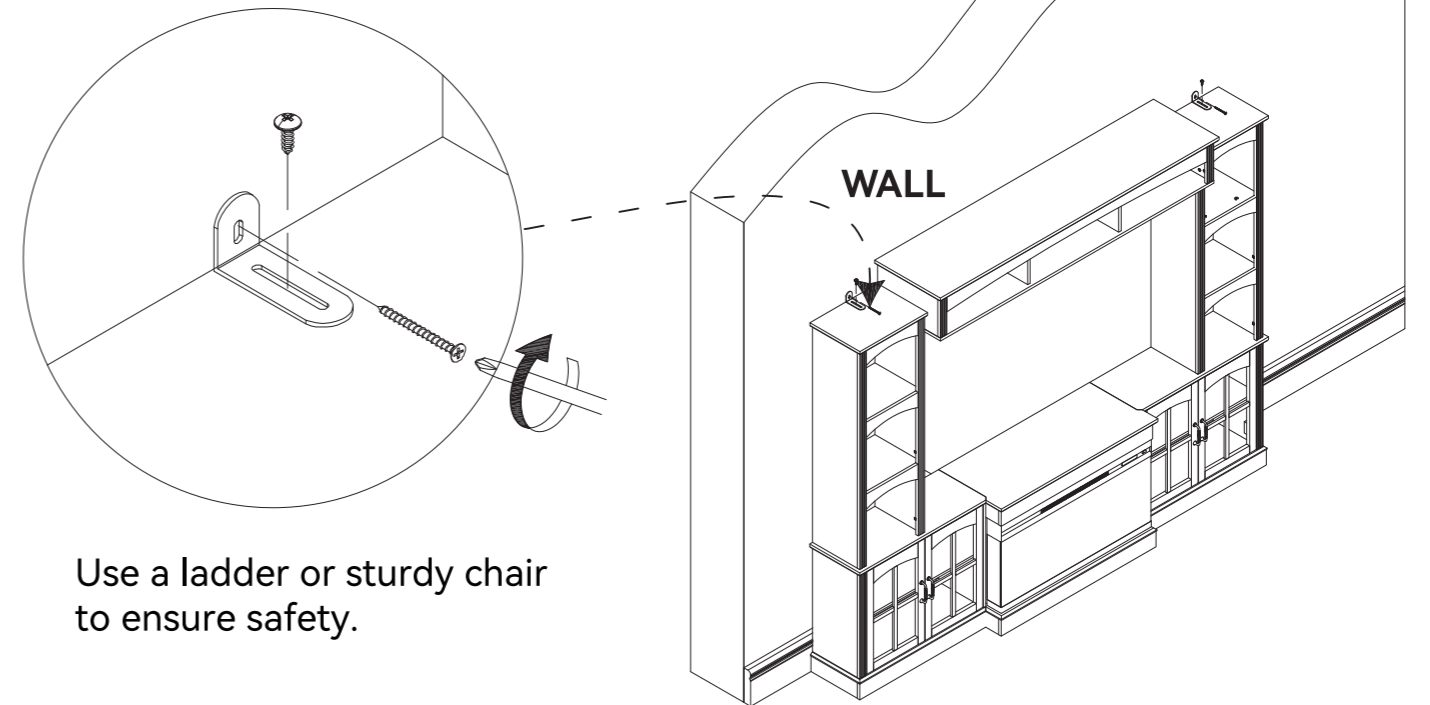
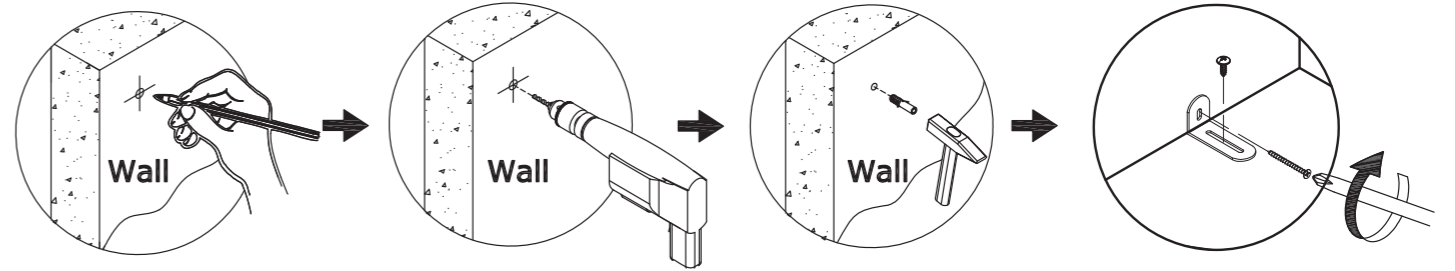


To adjust side ways.
Turning the screw "C" on BOTH hinges on each door.

54

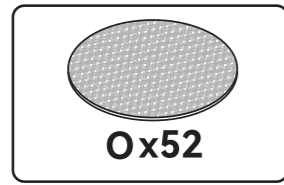


WARNING: To reduce the risk of tipover, ALWAYS install tipover restraint provided.

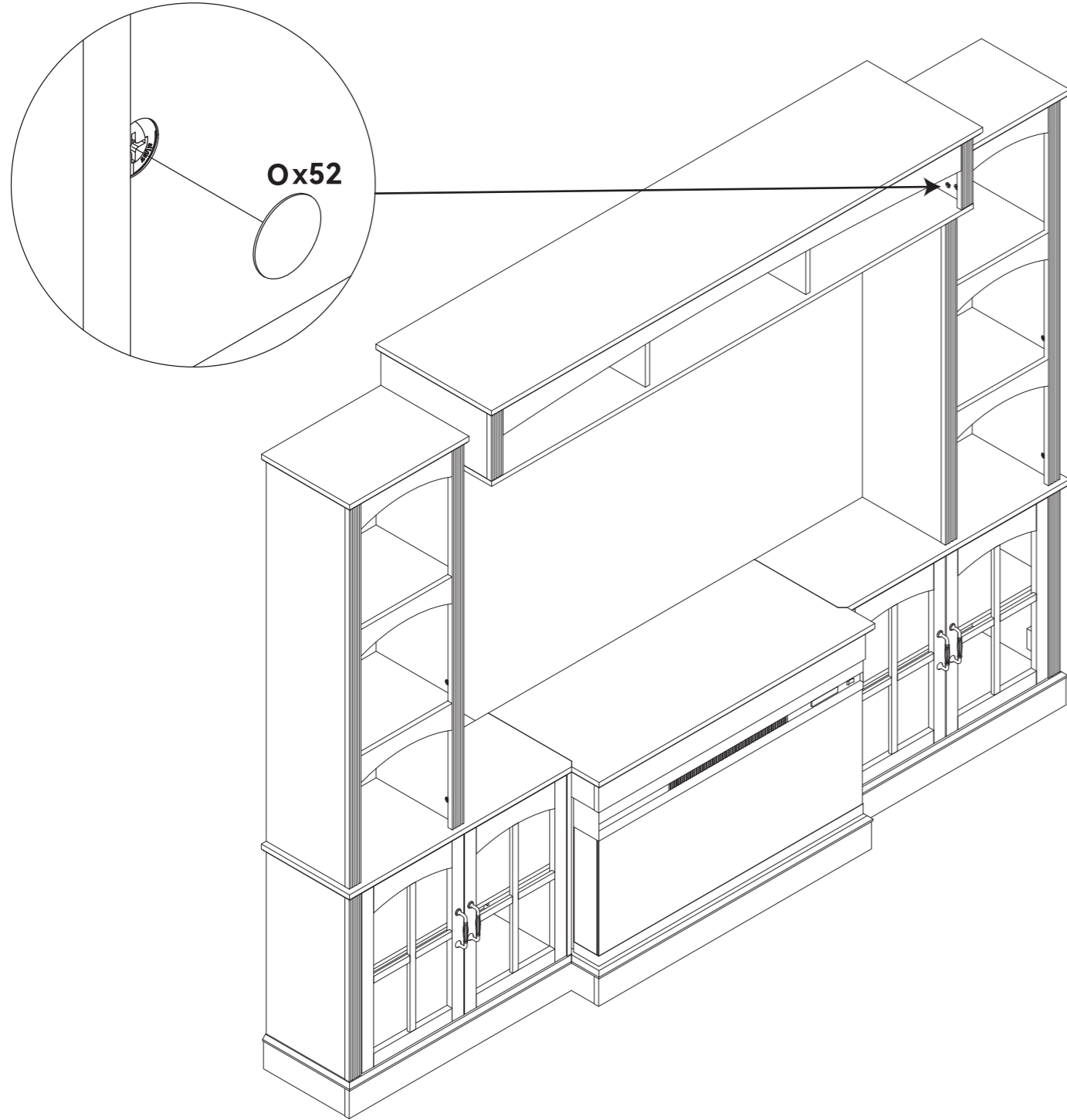


Use a ladder or sturdy chair to ensure safety.

55



Cover the holes with the provided stickers.



Refer to the User Manual of the fireplace for safety and operation instructions.