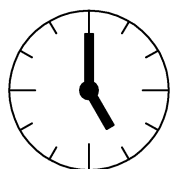
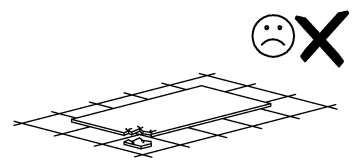
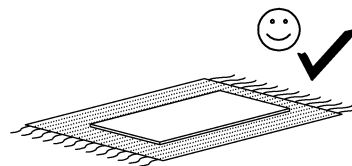
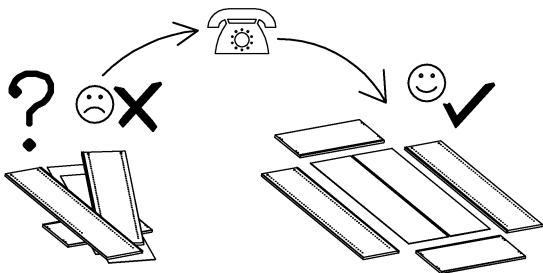
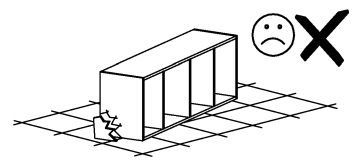
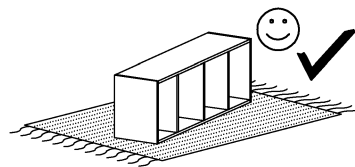
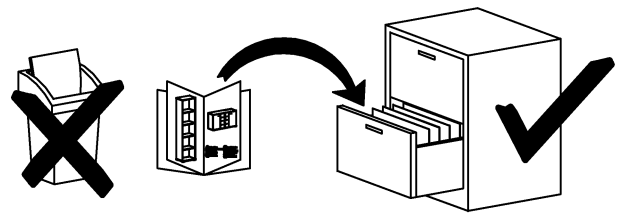
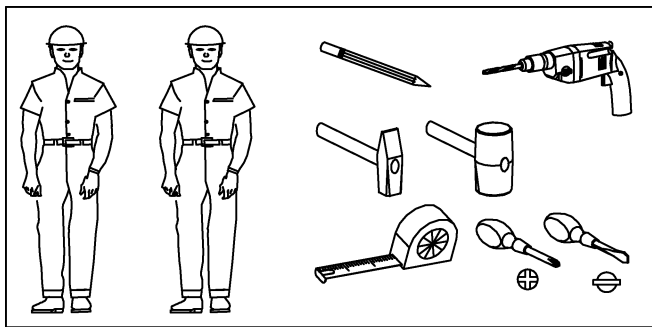
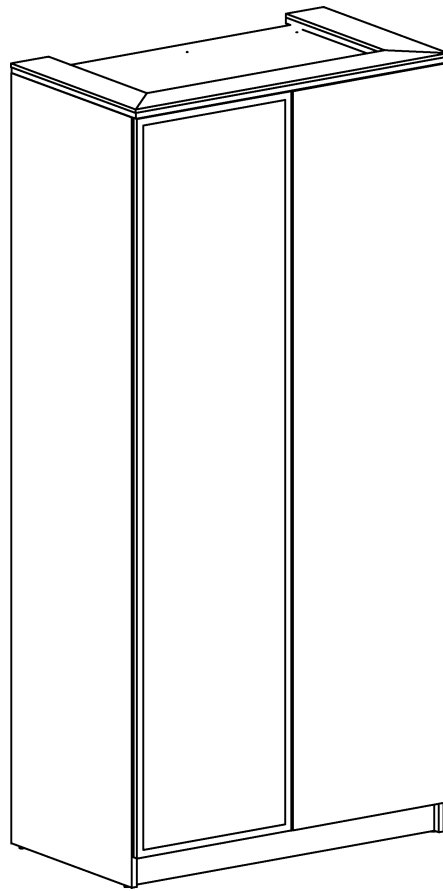
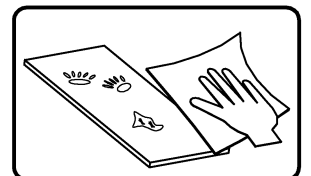
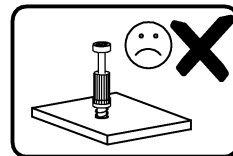
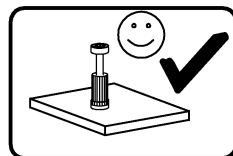
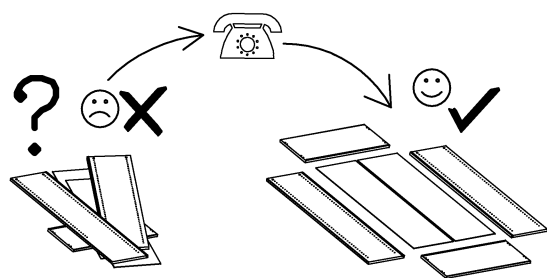
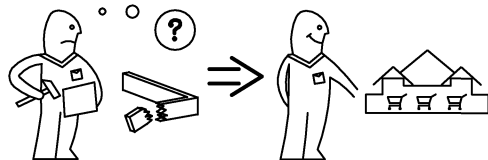
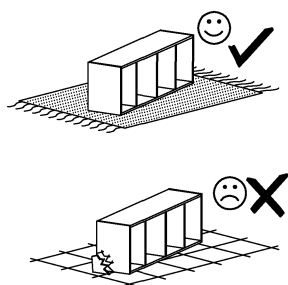


# szafa 2D korona

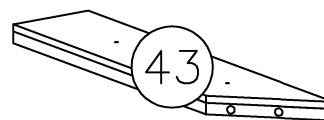
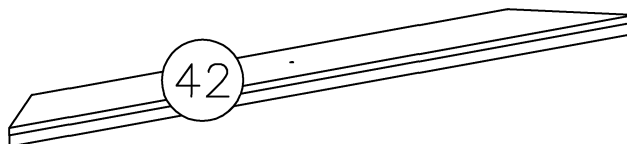
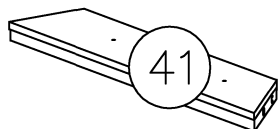


0,5h





nr	L[mm]	B[mm]	T[mm]	Menge
41	571	82	26	1
42	1002	82	26	1
43	571	82	26	1

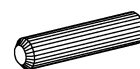


W1



x...(1)

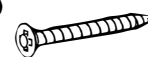
B1



ø8x35

x...(4)

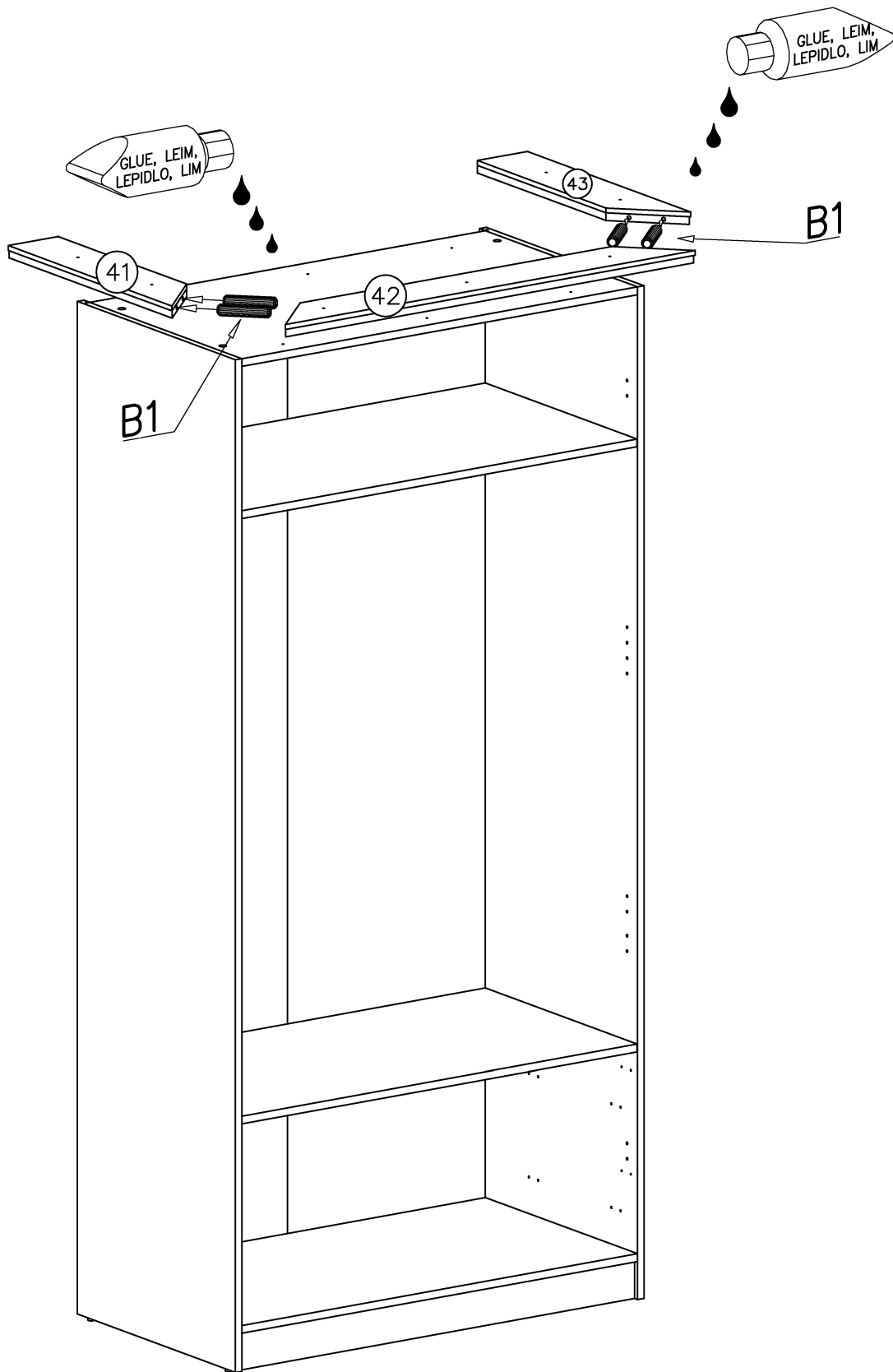
G23



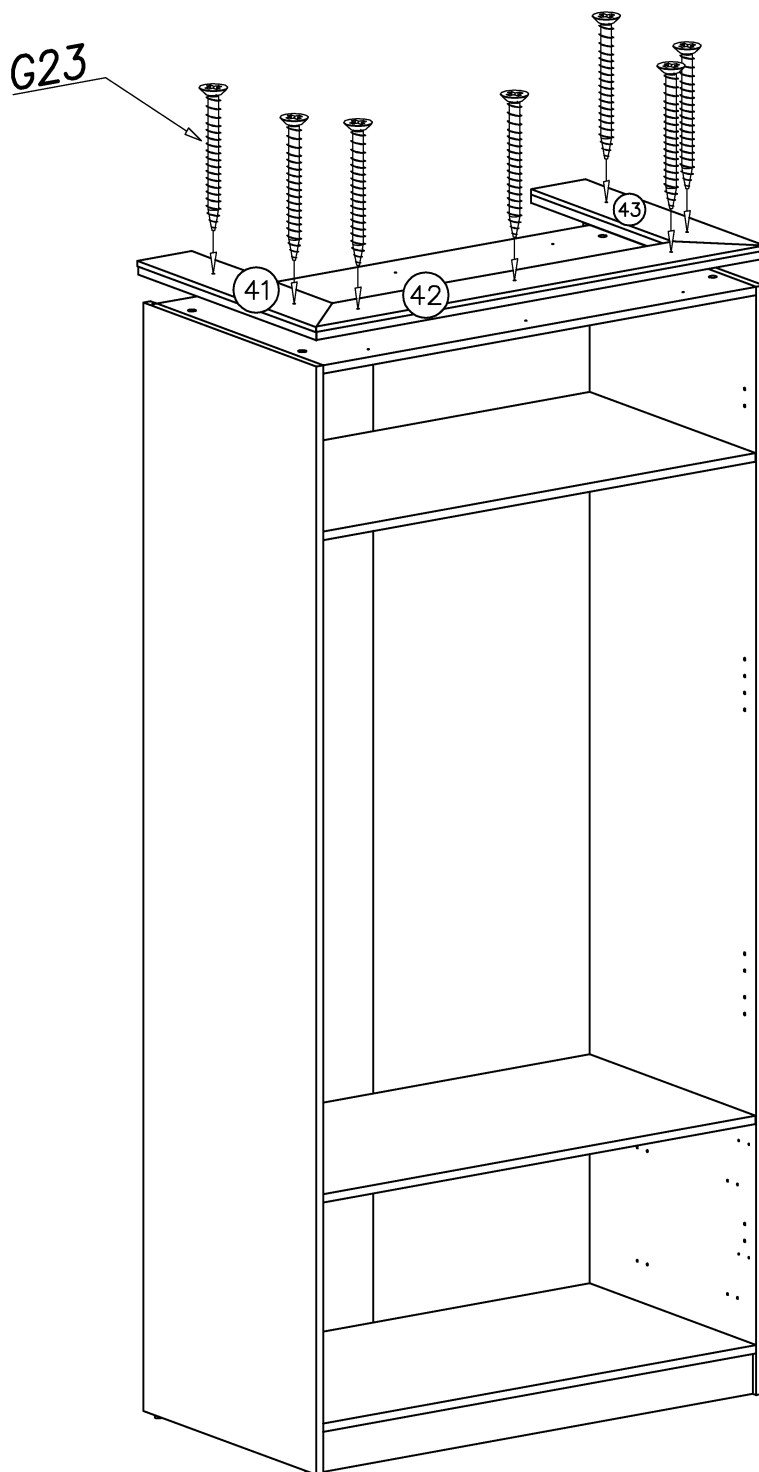
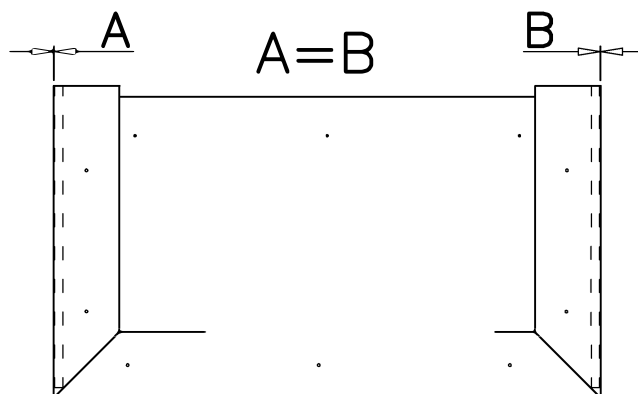
4x40

x...(7)

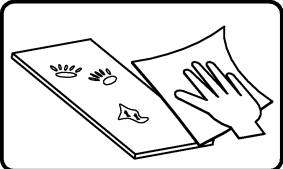
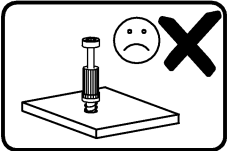
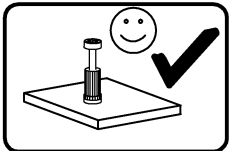
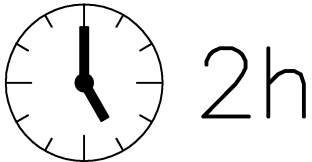
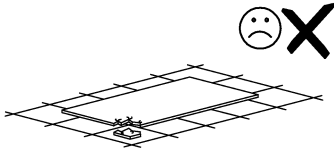
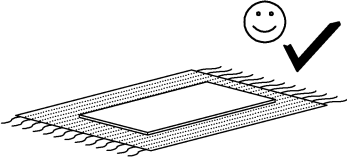
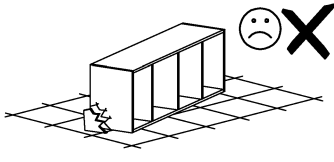
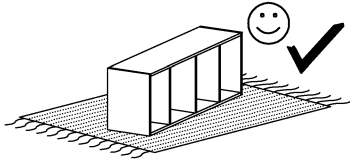
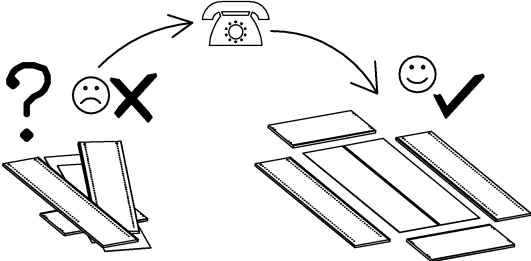
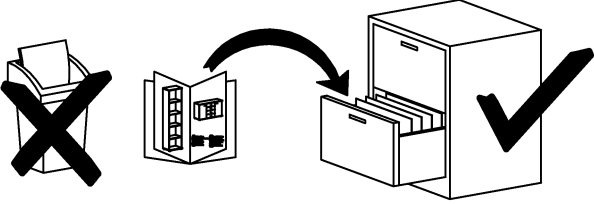
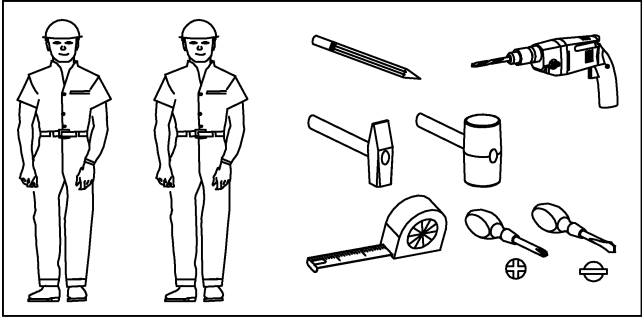
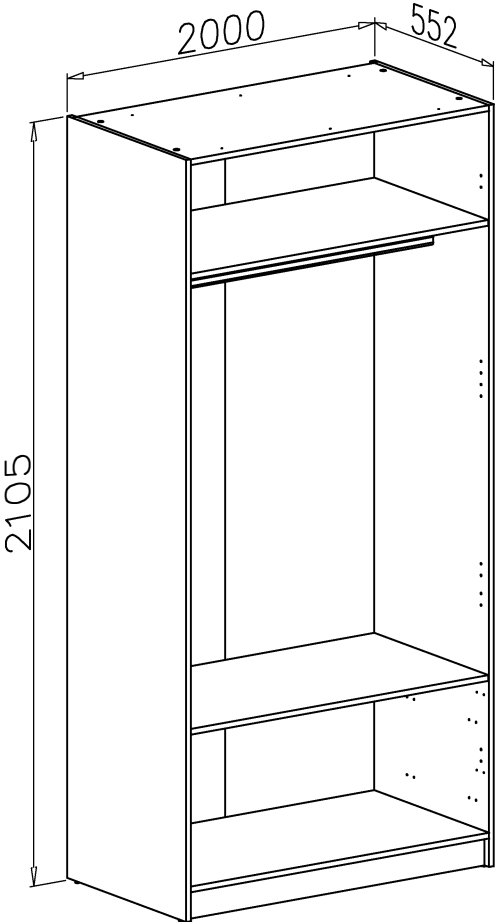
I

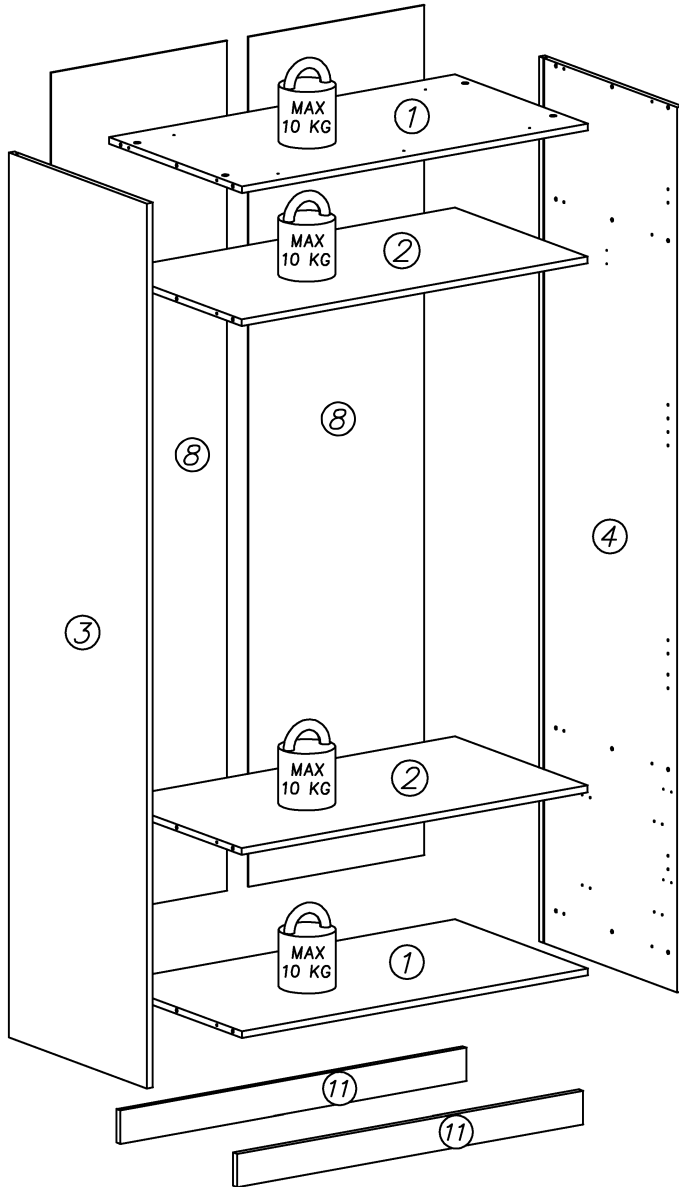
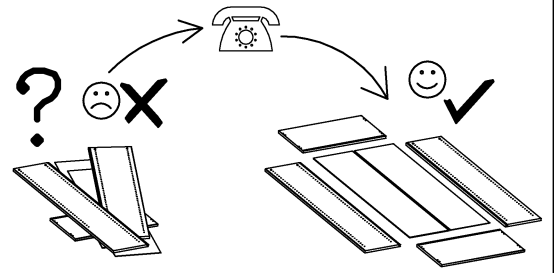
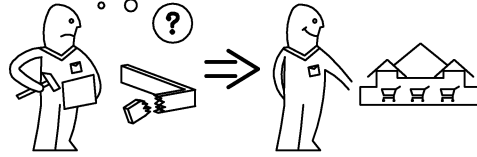
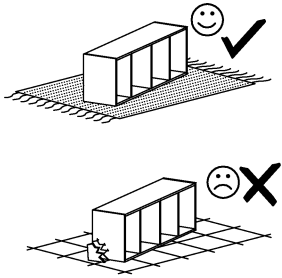


II

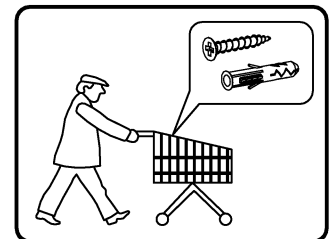




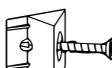



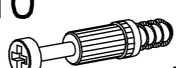

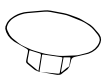

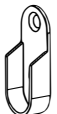

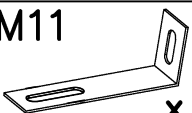
# szafa 2D

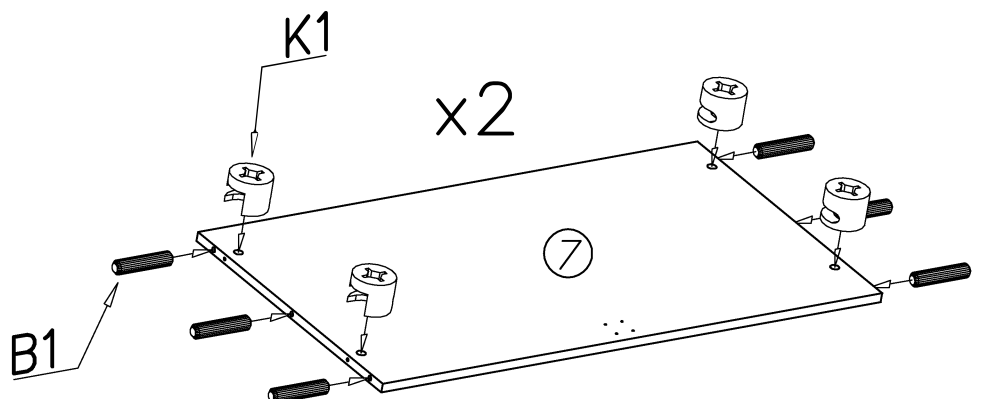
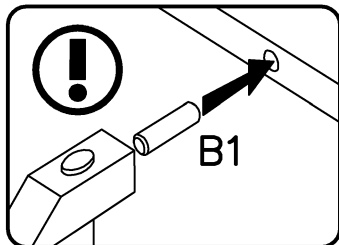
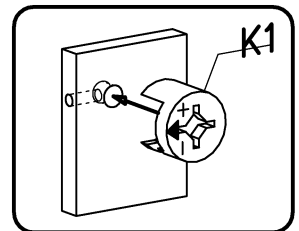
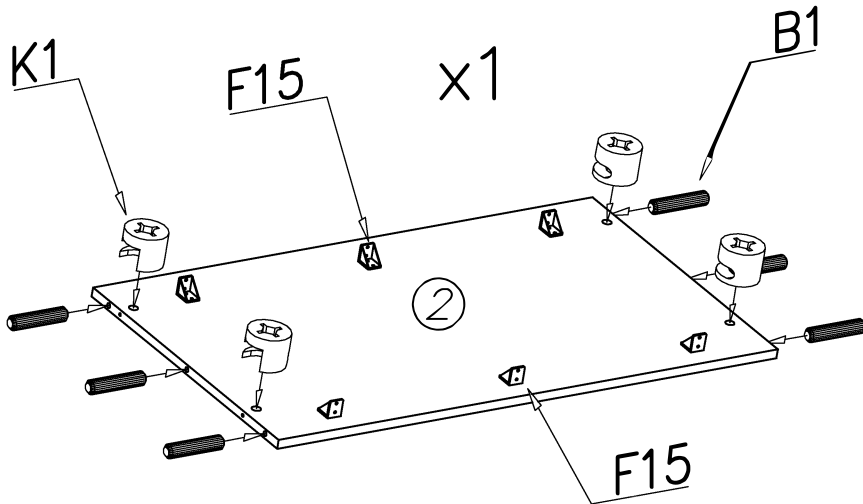
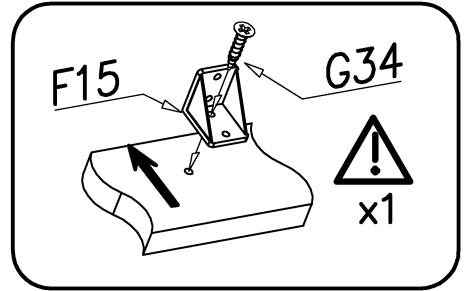
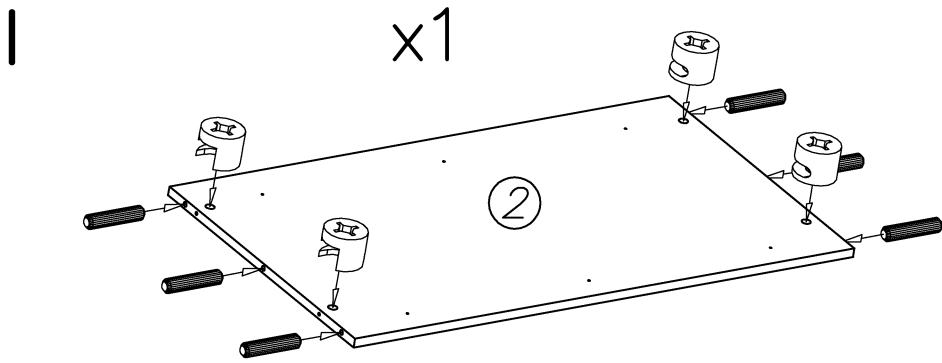




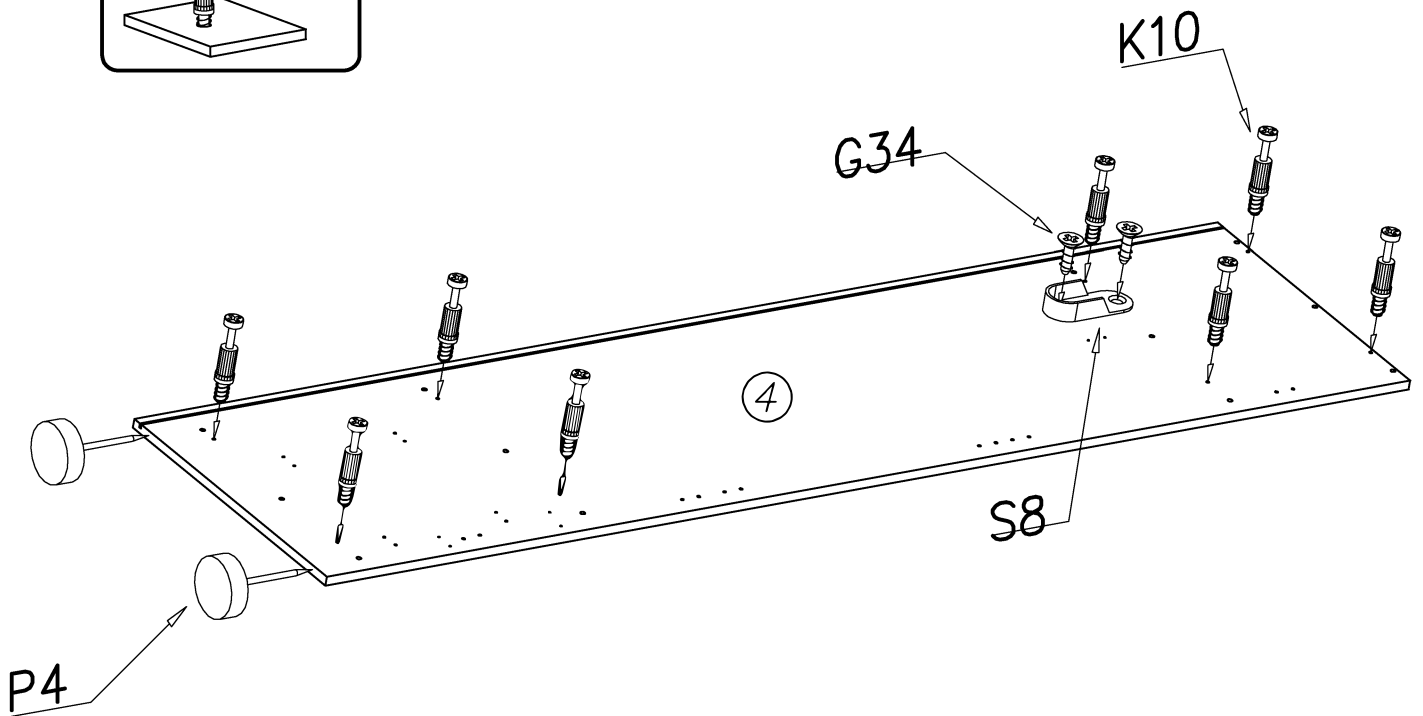
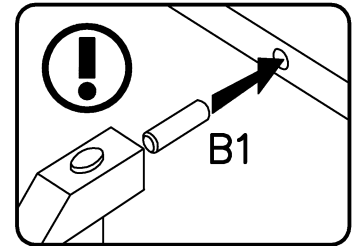
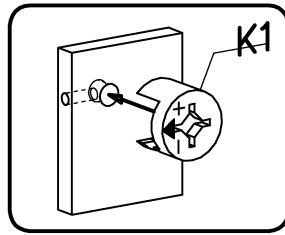
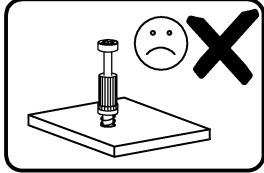
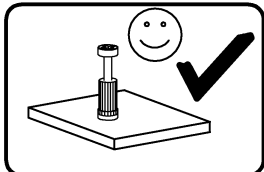
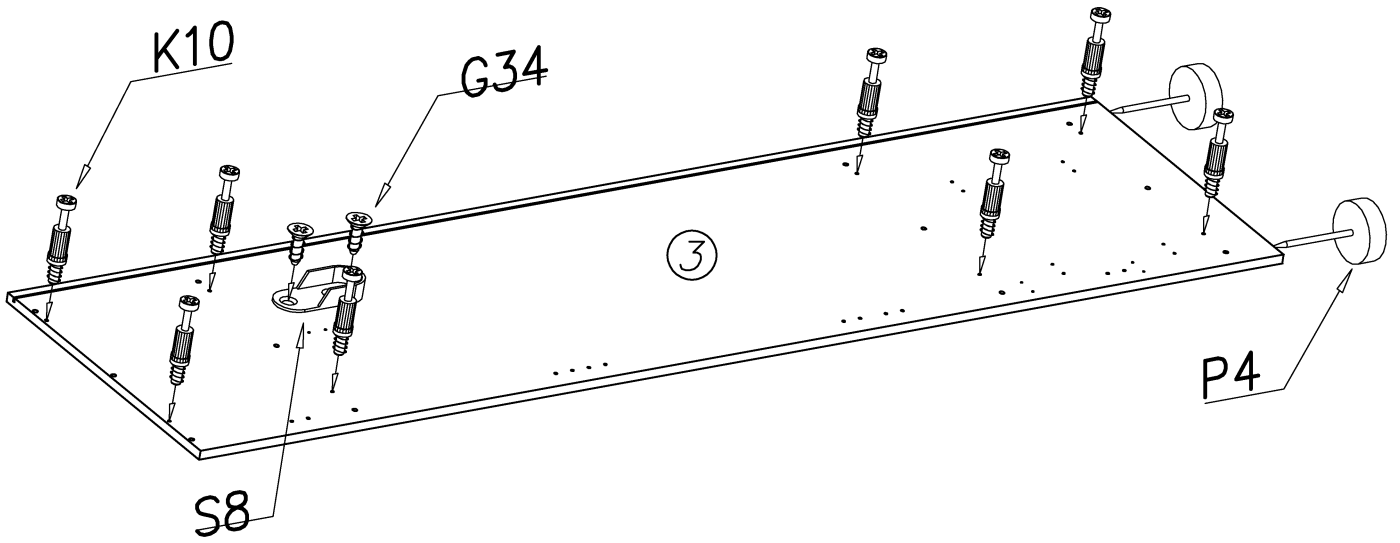
nr	L[mm]	B[mm]	T[mm]	Menge	Colli
1	532	968	16	1	1/2
2	530	968	16	1	1/2
3	2100	552	16	1	2/2
4	2100	552	16	1	2/2
8	2018	489	3	2	2/2
11	968	79	16	2	1/2



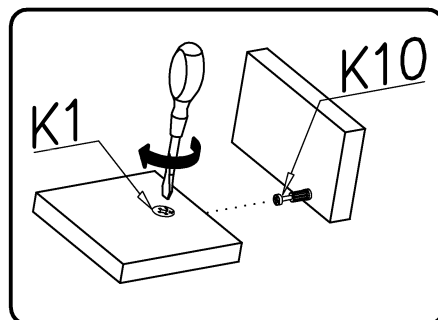
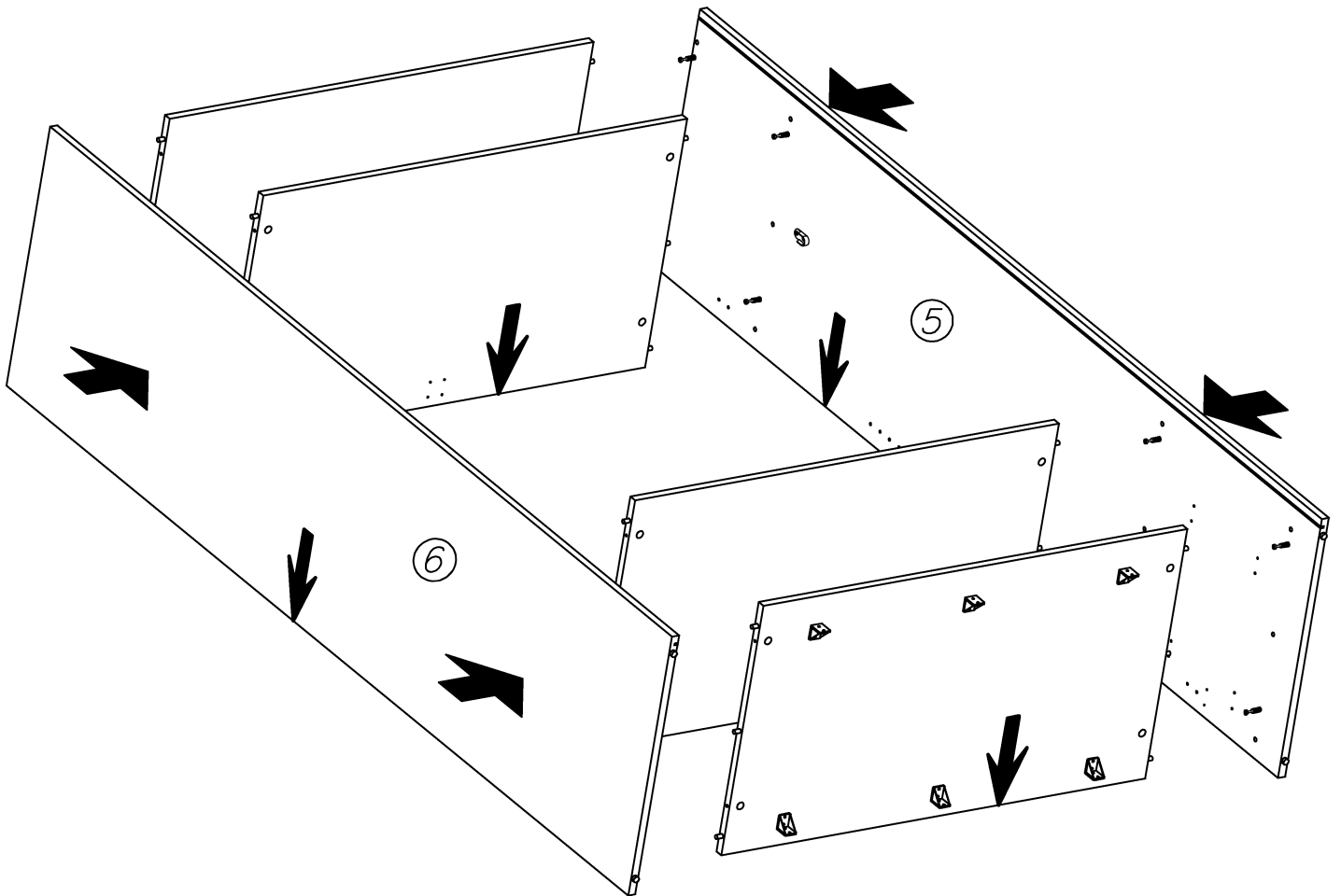
K1  ø15x12 x...(16)	S1  1988mm x...(1)	I1  x...(10)	G57  3,5x16 x...(48)	P4  x...(4)	F15  x...(10)
K10  x...(16)	B1  ø8x35 x...(24)	I7  ø18 x...(16)	S5  960mm x...(1)	S8  x...(2)	G2  3x20 x...(48)
M11  x...(2)					



II

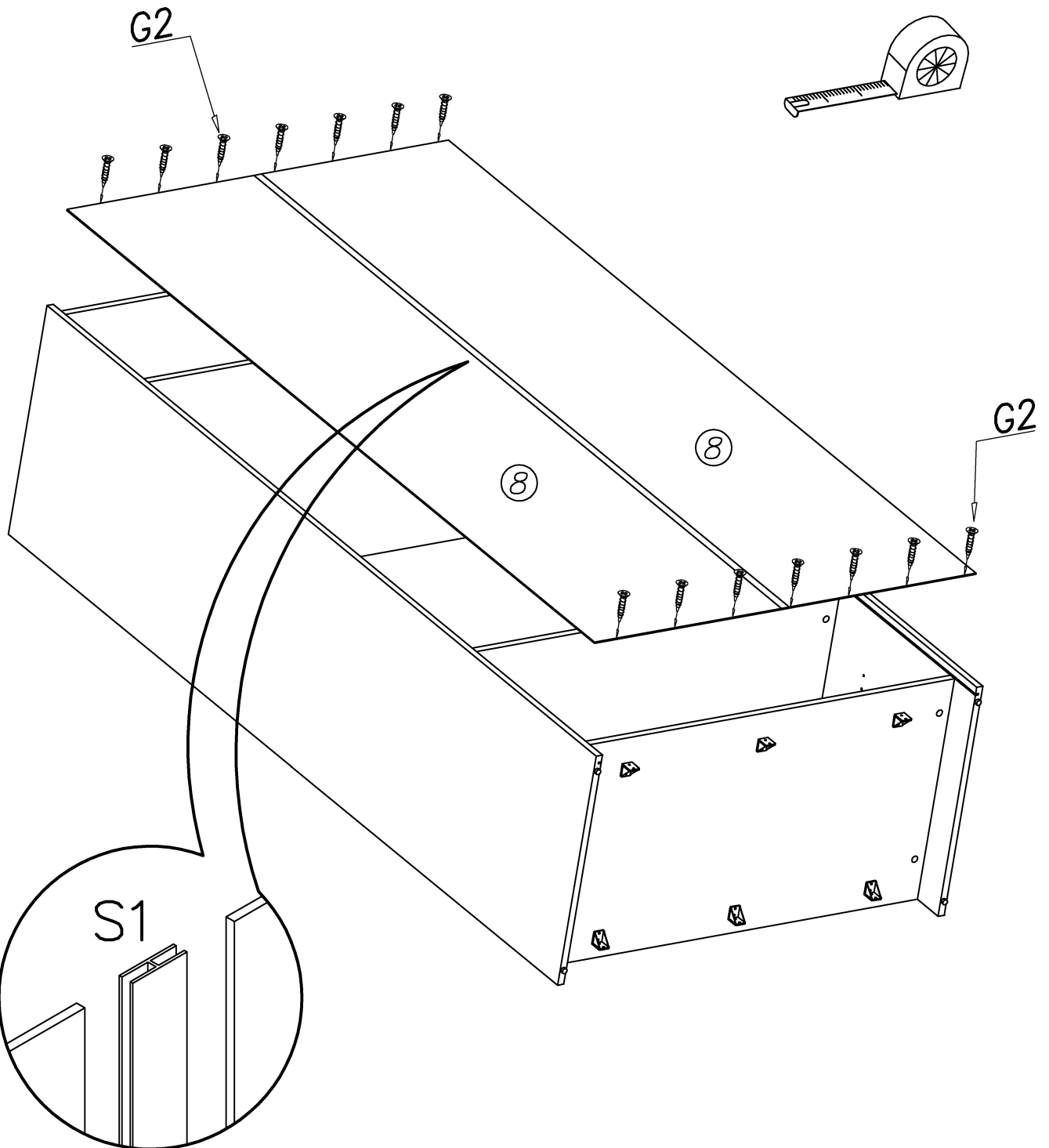
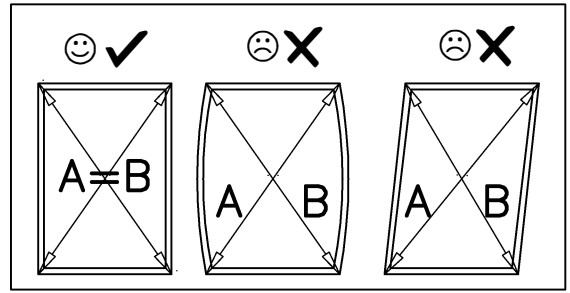


III

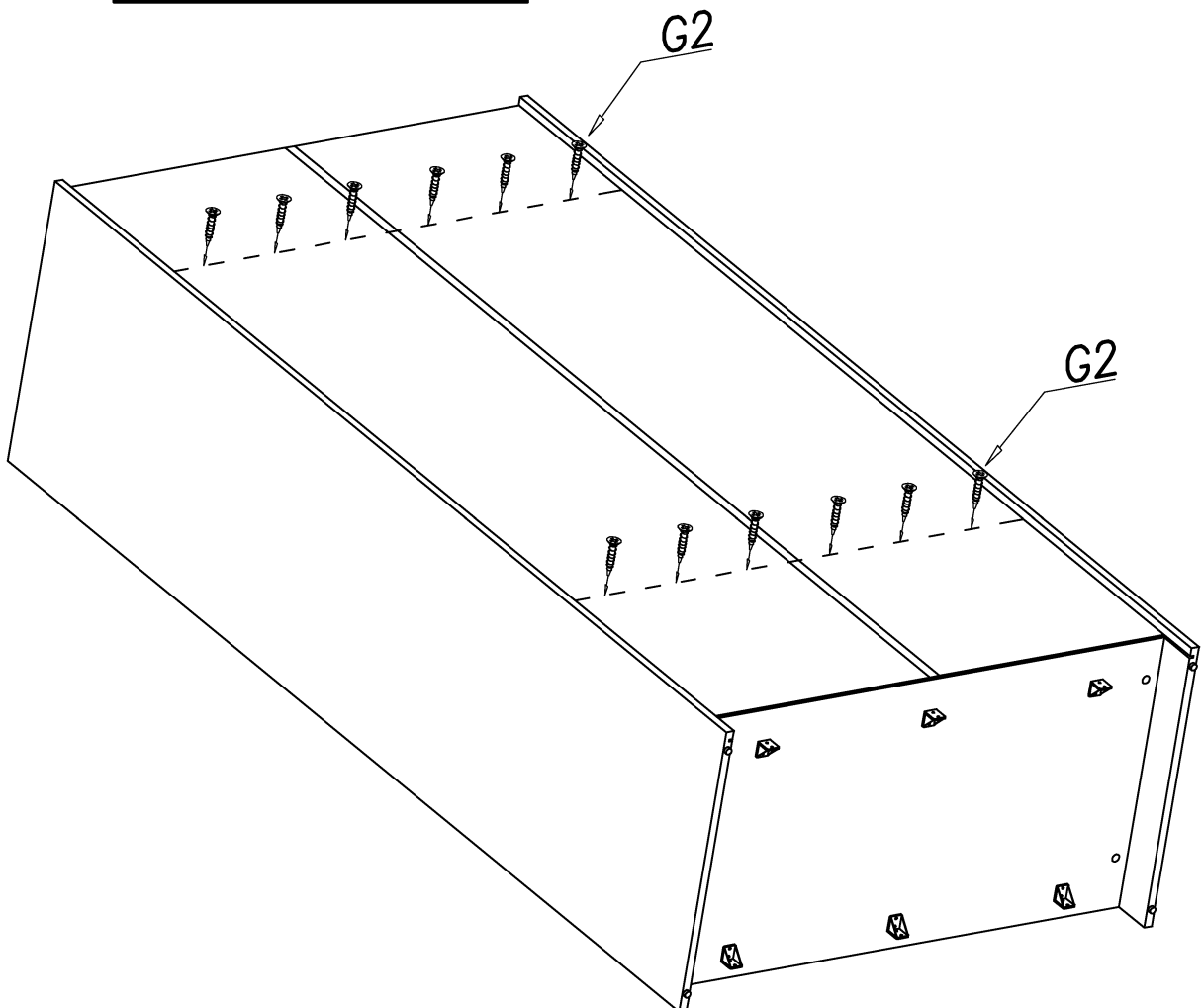
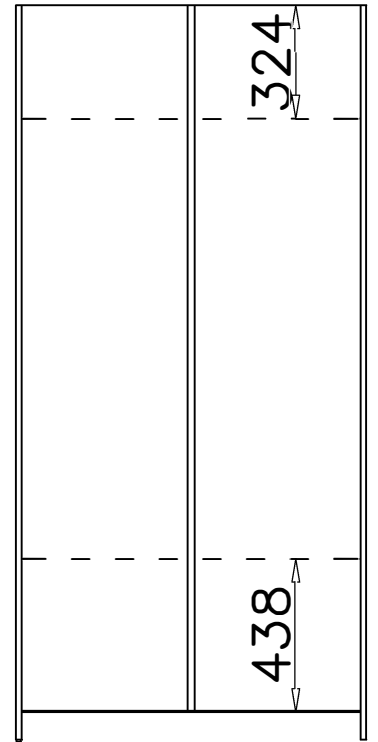
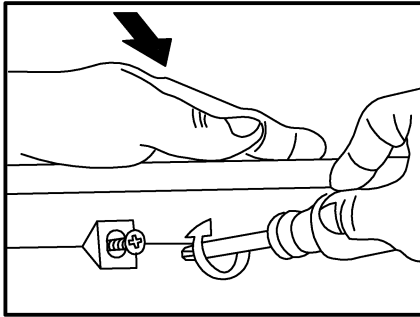
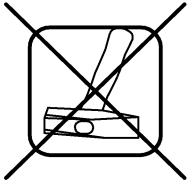
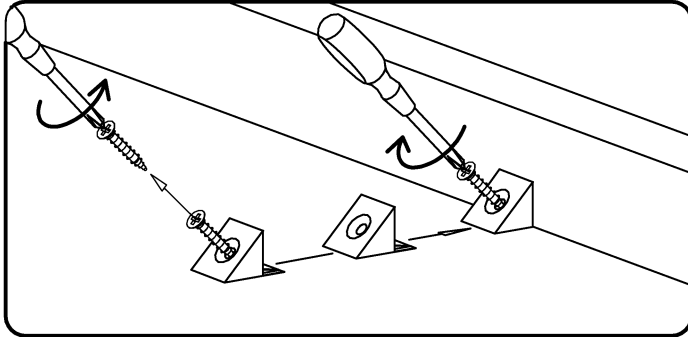


IV

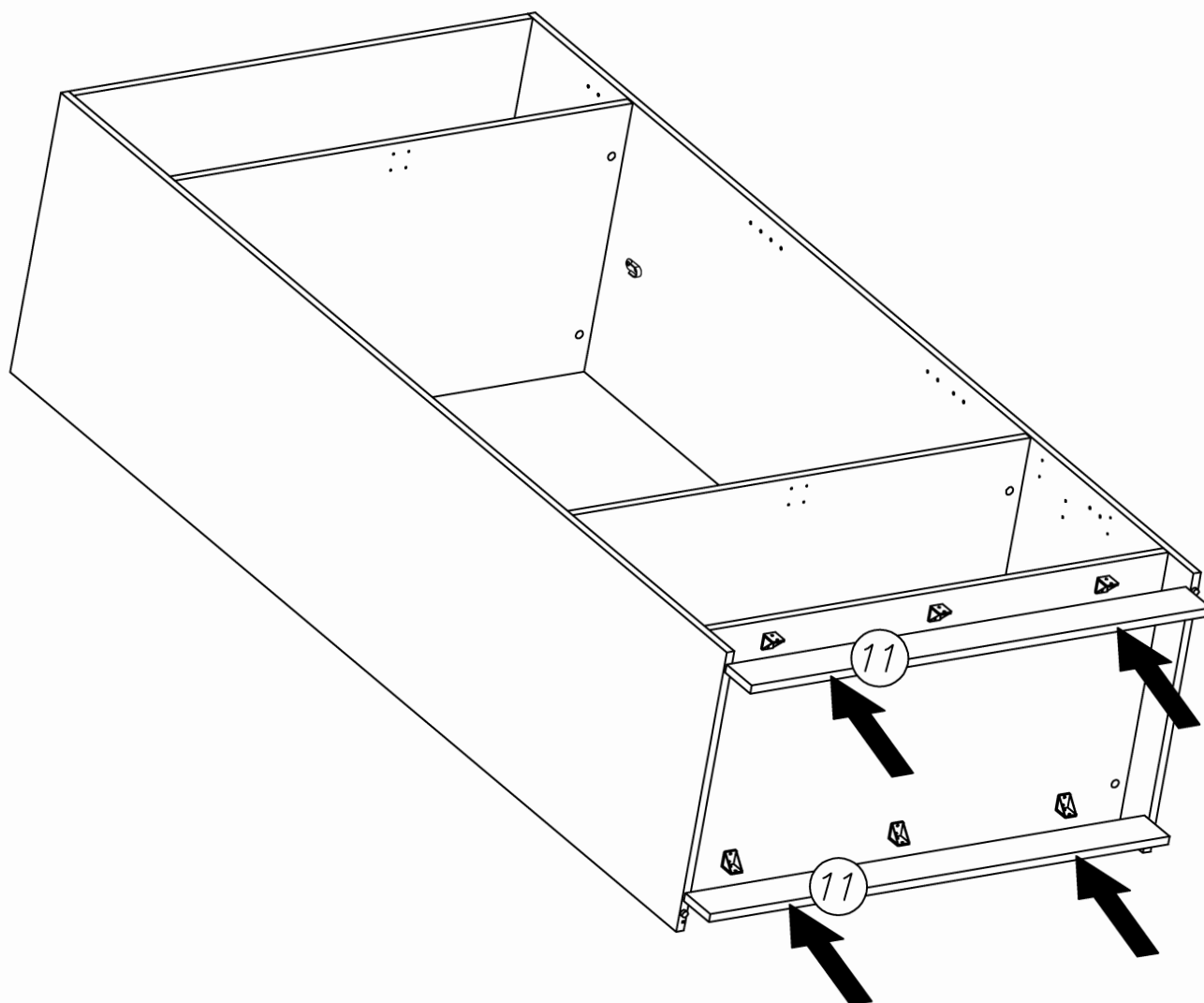
A=B



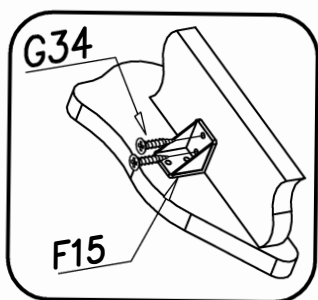
V



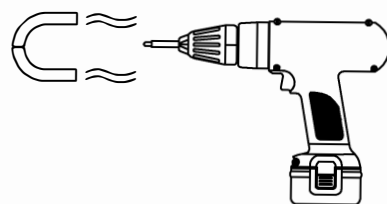
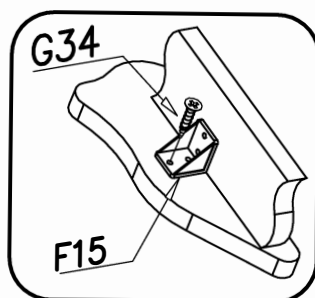
VI



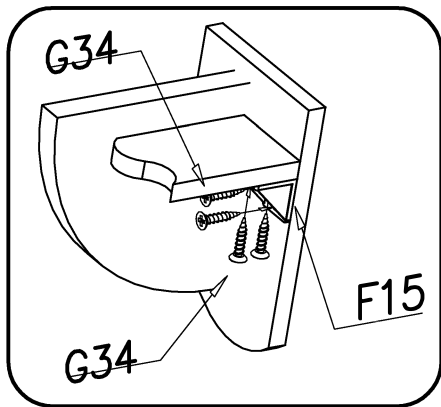
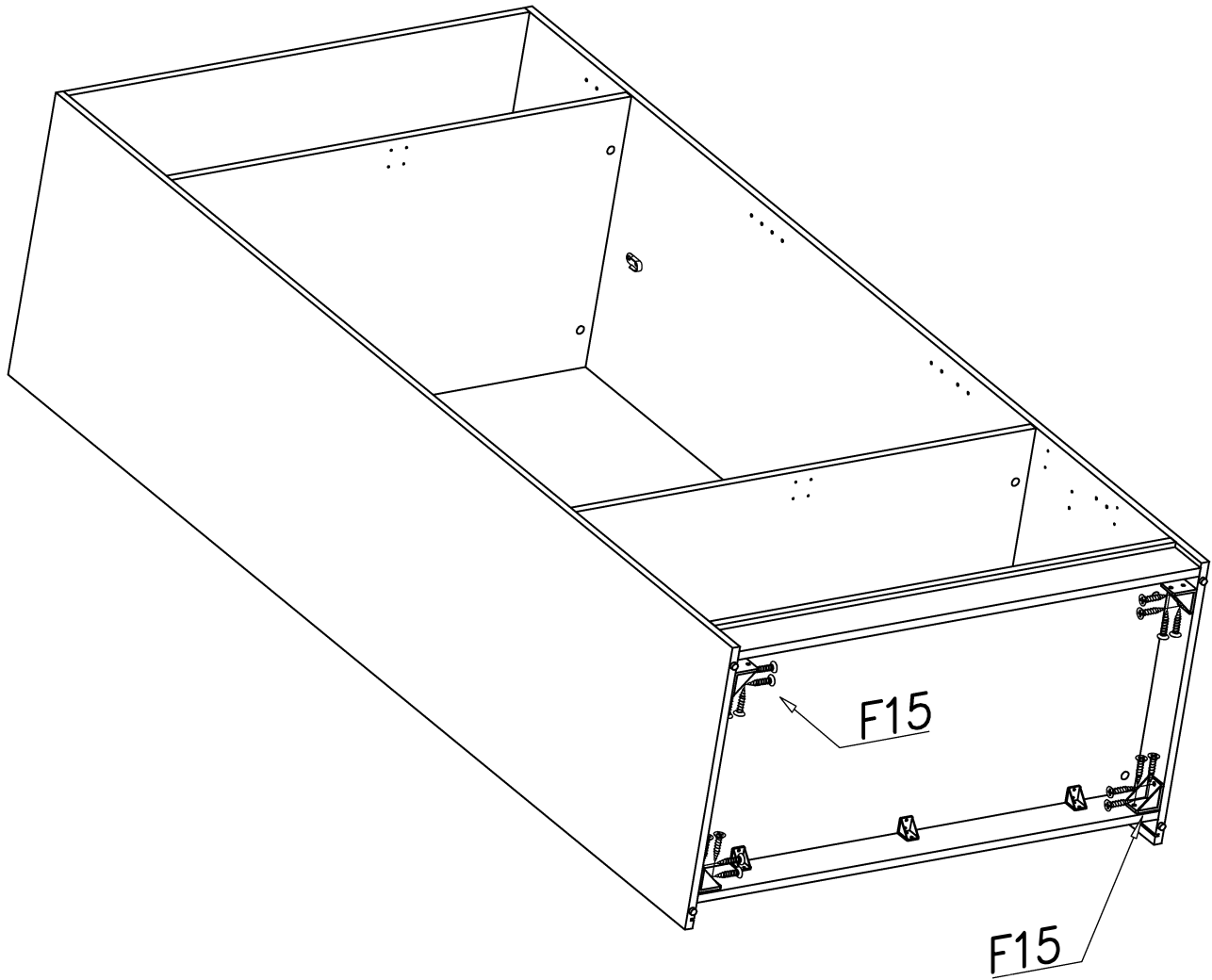
1.



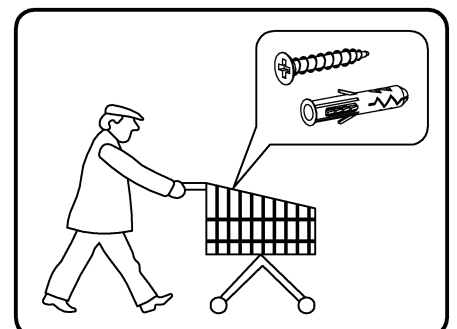
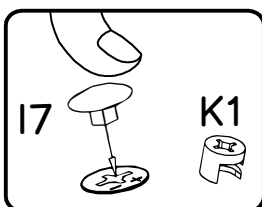
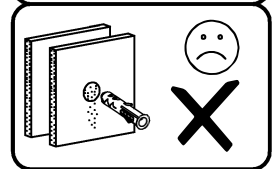
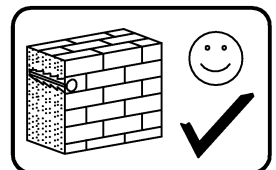
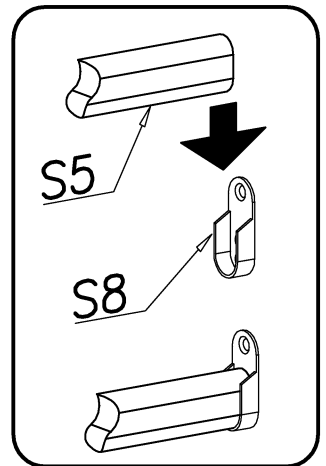
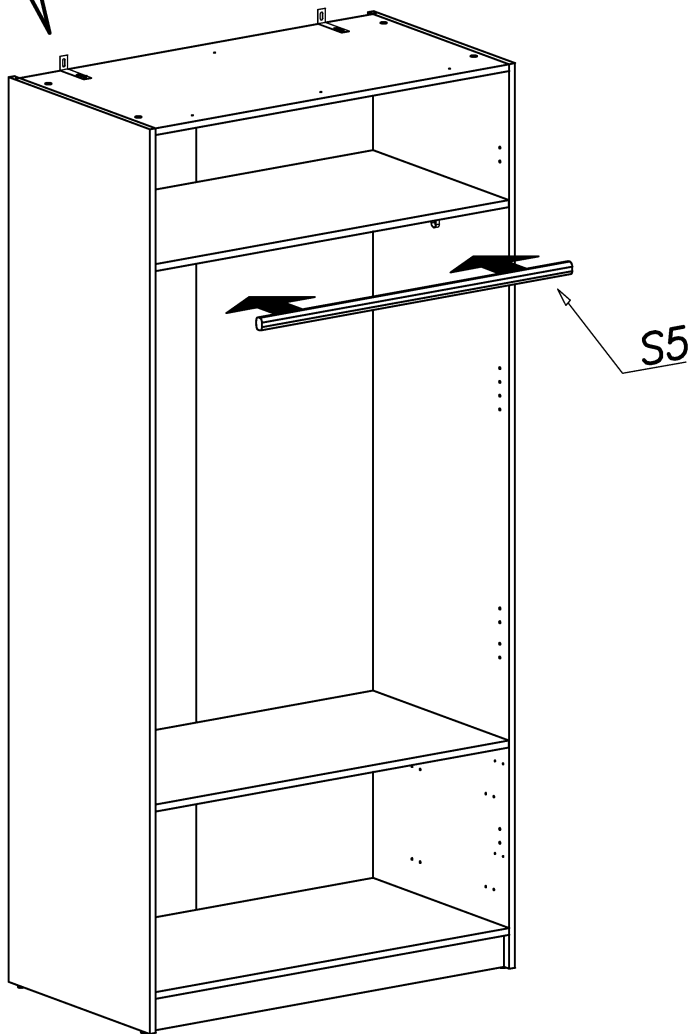
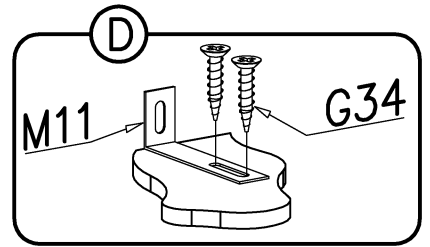
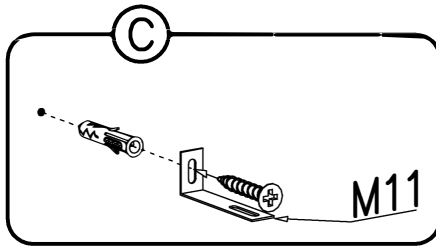
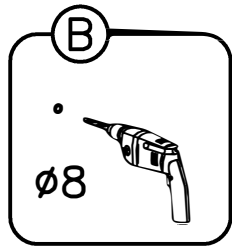
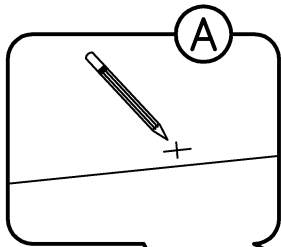
2.



VII

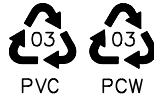
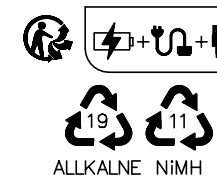
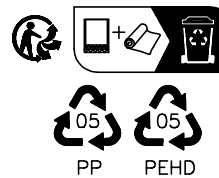
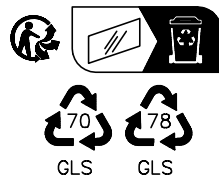
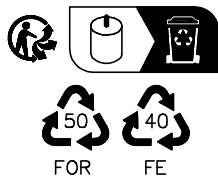
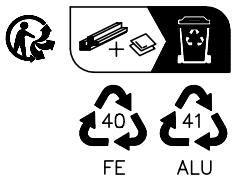
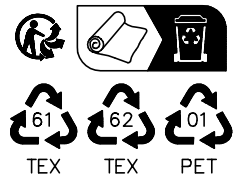
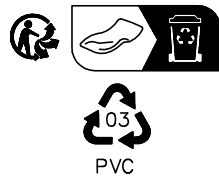
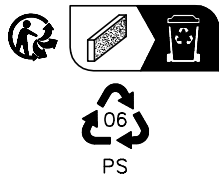
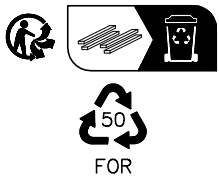
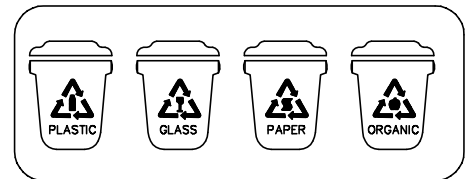
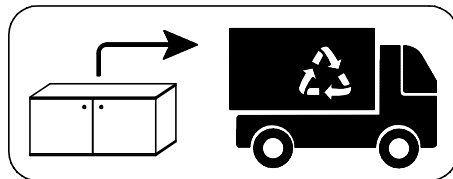
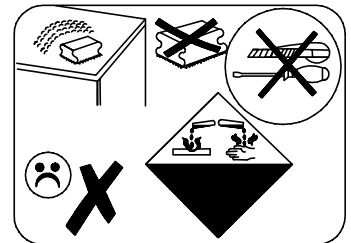
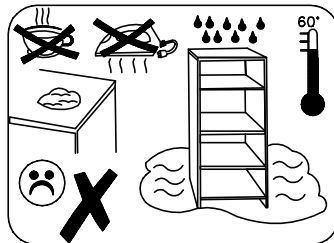
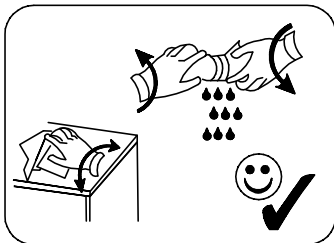
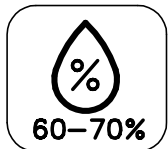
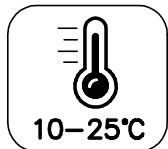
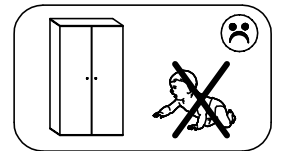
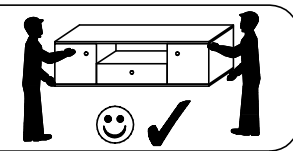
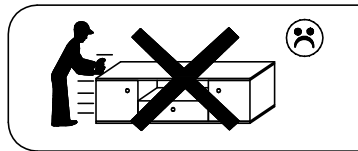
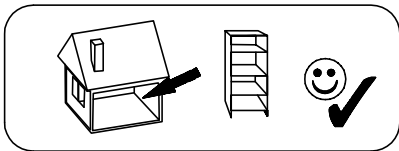
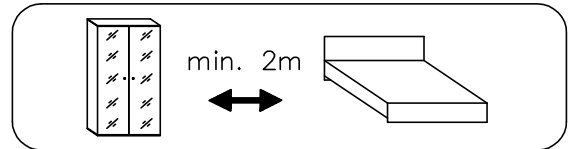
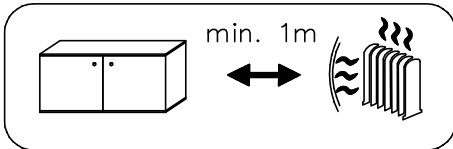
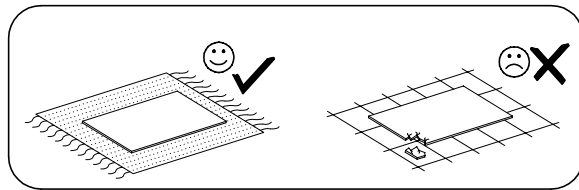
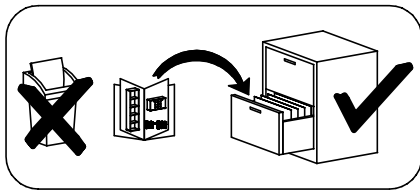


VIII

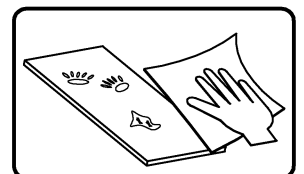
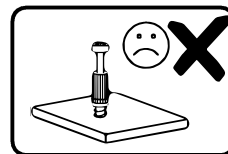
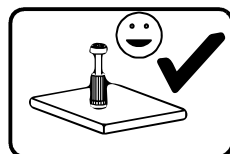
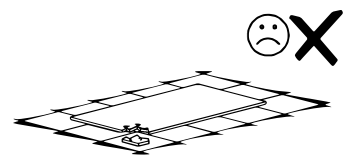
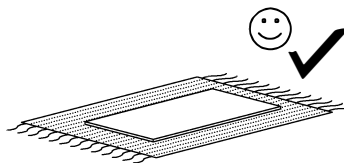
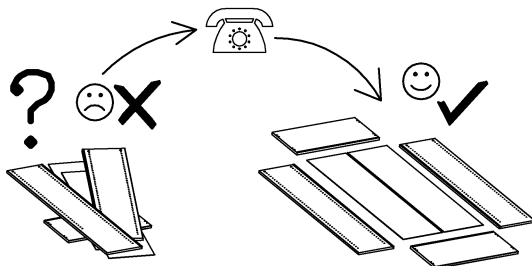
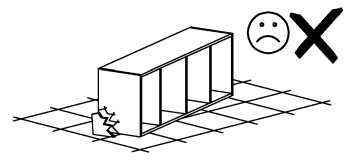
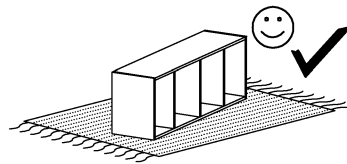
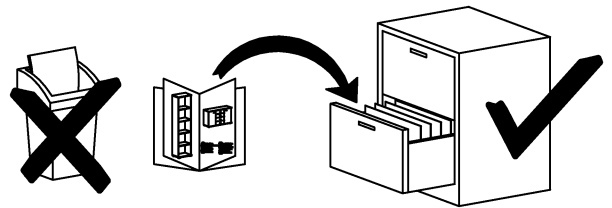
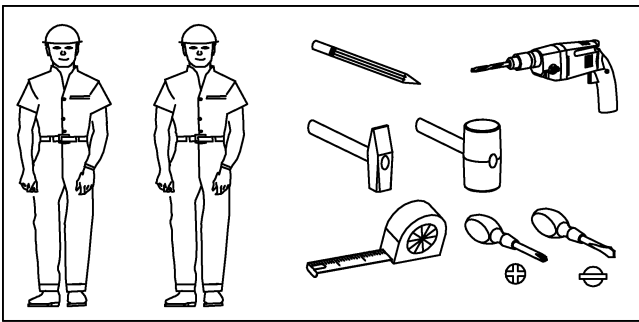
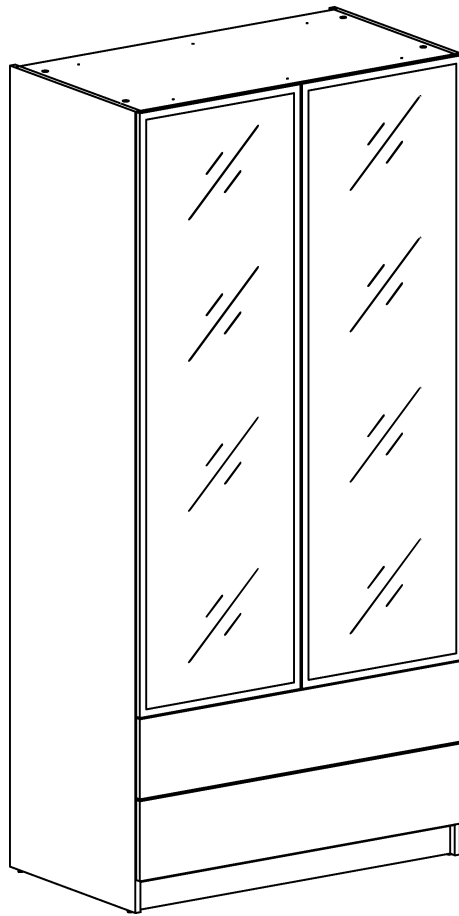




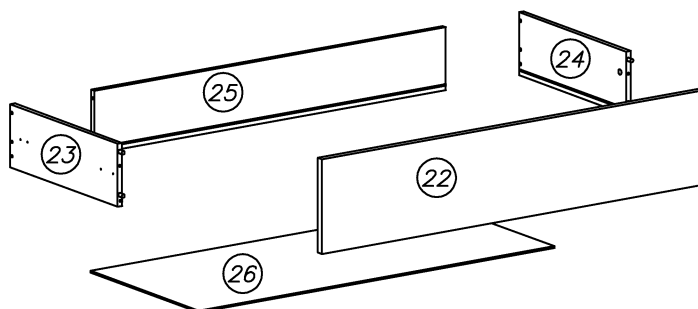
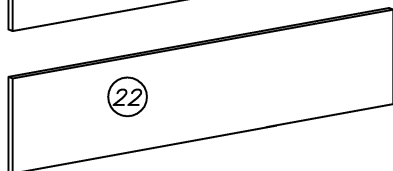
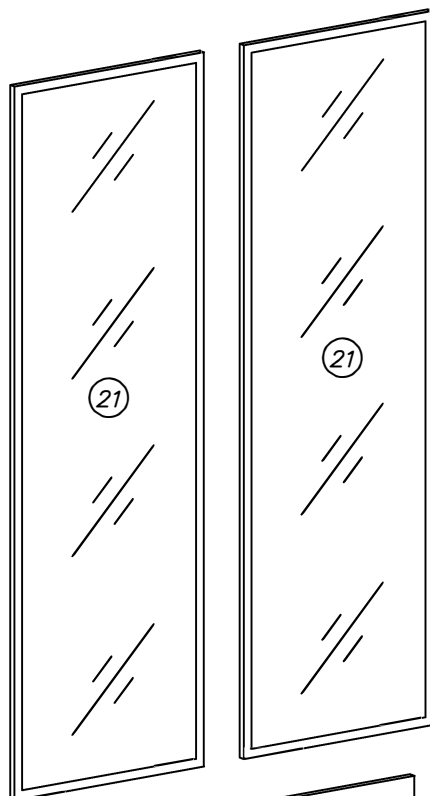
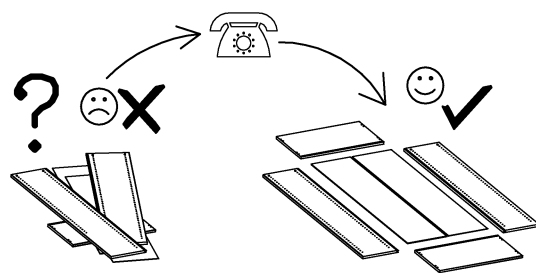
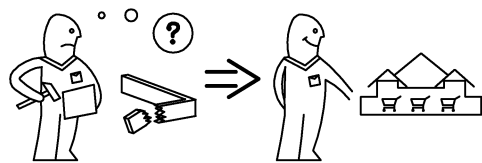
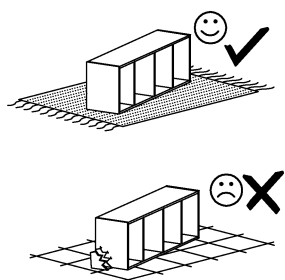
Uwaga • Upozornění • Achtung • Attention • Caution • Figyelem  
 Attenzione • Opgelet • Внимание • Atenție • Upozornenie • Dikkat



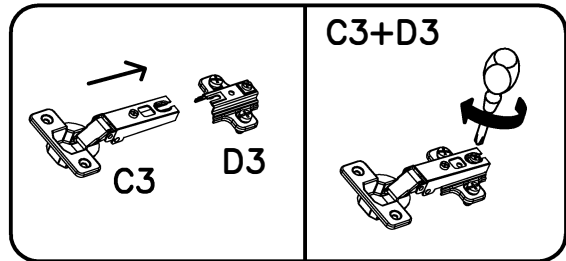
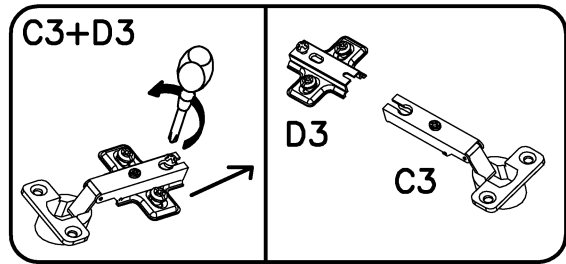
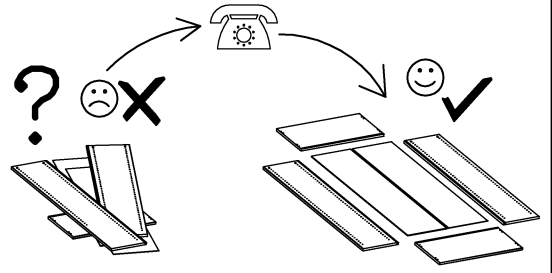
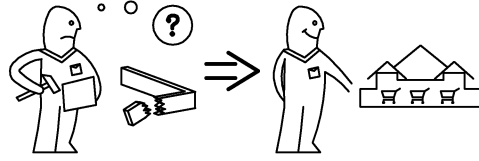
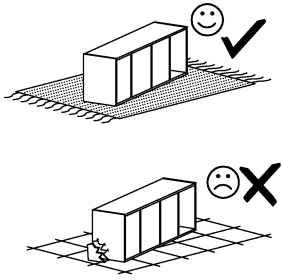
# szafa 2D2S lustro push




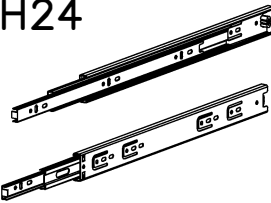
# szafa 2D2S lustro push

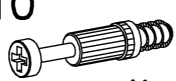


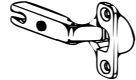

# szafa 2D2S lustro push






**K4**  
  
 ø12x10 x...(4)

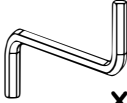
**H24**  
  
 H35-400mm x...(2)



**K10**  
  
 x...(4)


**C3**  
  
 Z35PR x...(6)  
**D3**  
  
 PZ35PR x...(6)  
 H=2



**W1**  
  
 x...(1)  
 GLUE, LEIM, LEPIDLO, LIM

**G34**  
  
 3,5x16 x...(16)  
**G10**  
  
 6x13 x...(8)

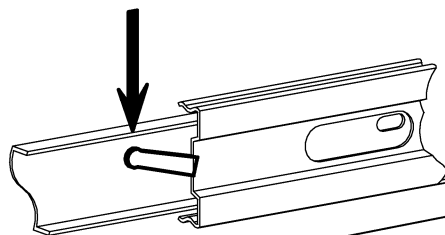
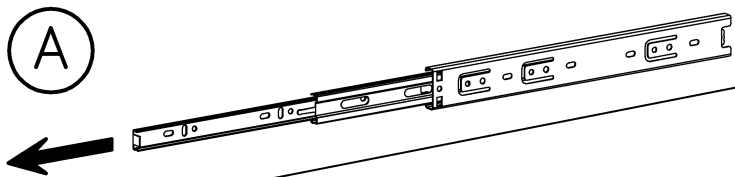
**W2**  
  
 x...(1)

**G57**  
  
 3,5x14 x...(12)  
**M8**  
  
 400mm x...(2)

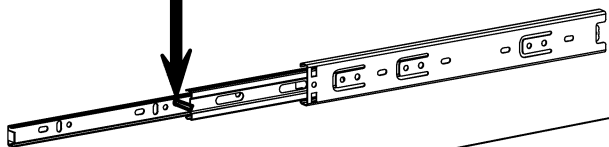
**G20**  
  
 5x11 x...(8)

**L14**  
  
 x...(6)  
**A6**  
  
 ø7x40 x...(8)

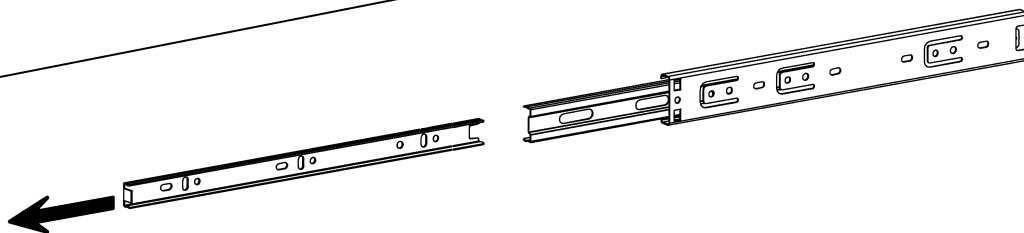
A



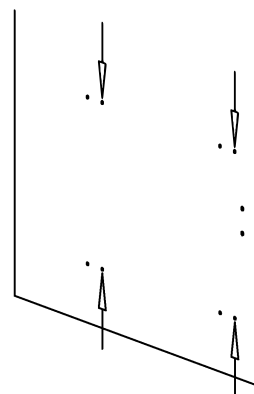
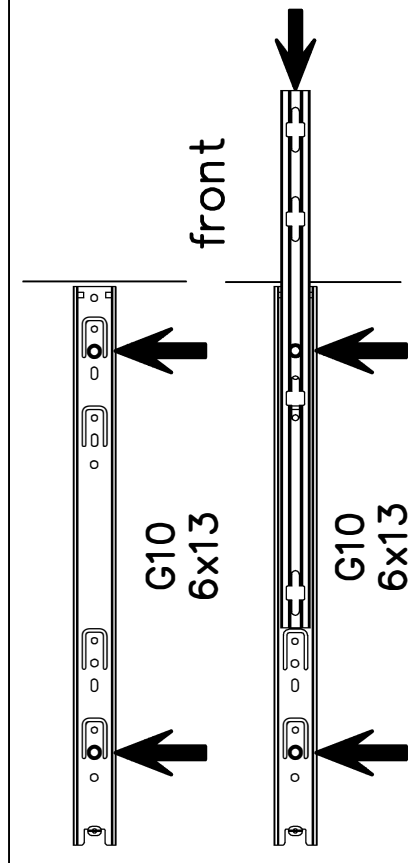
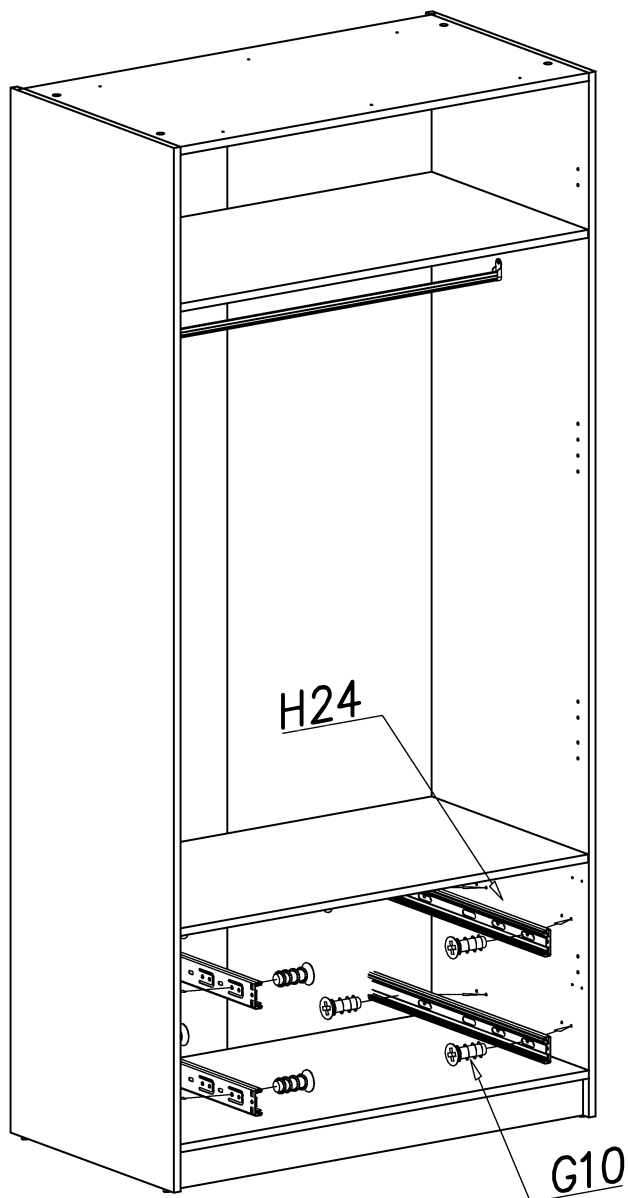
B



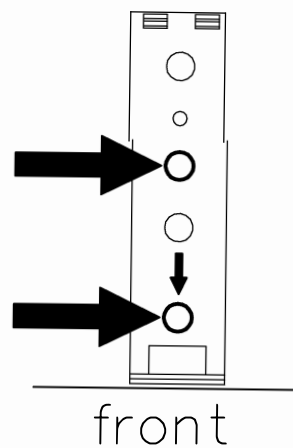
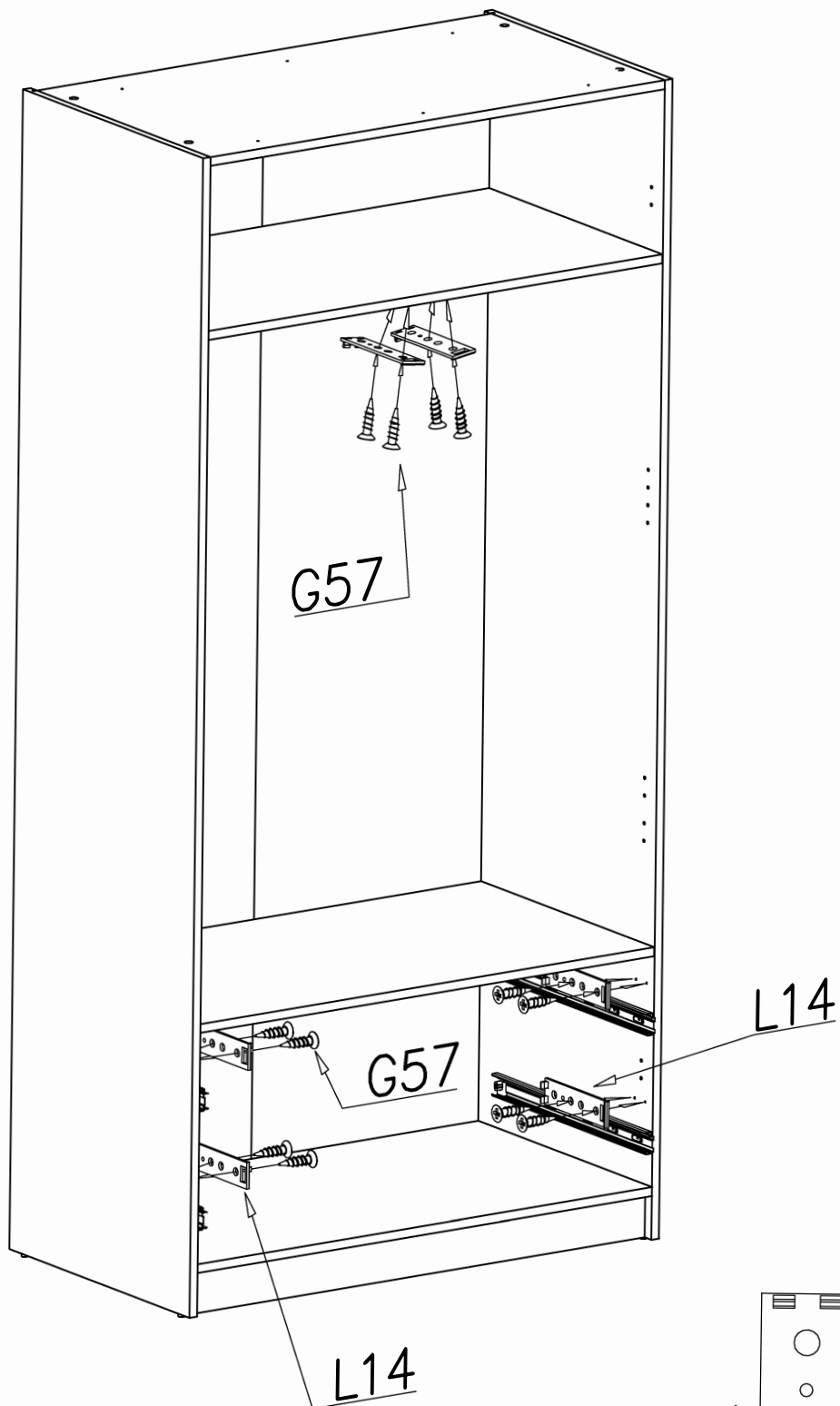
C



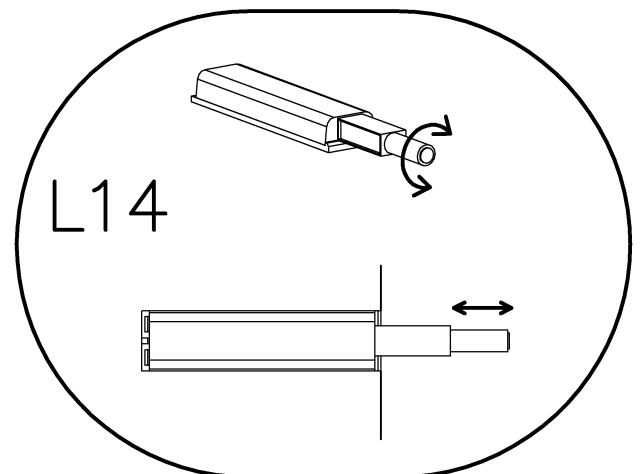
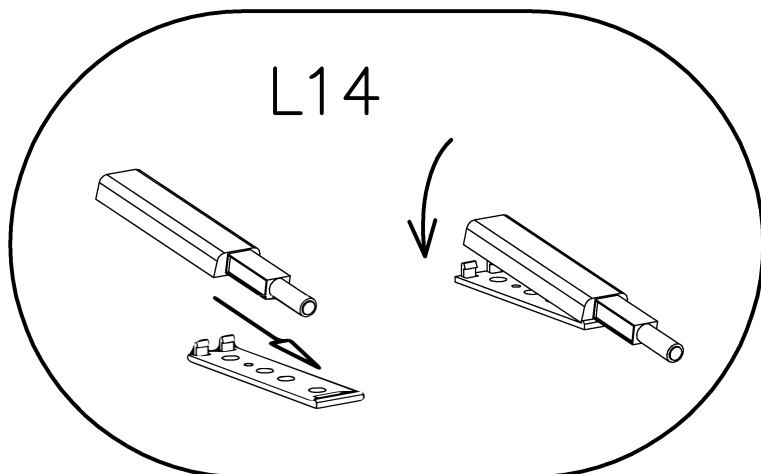
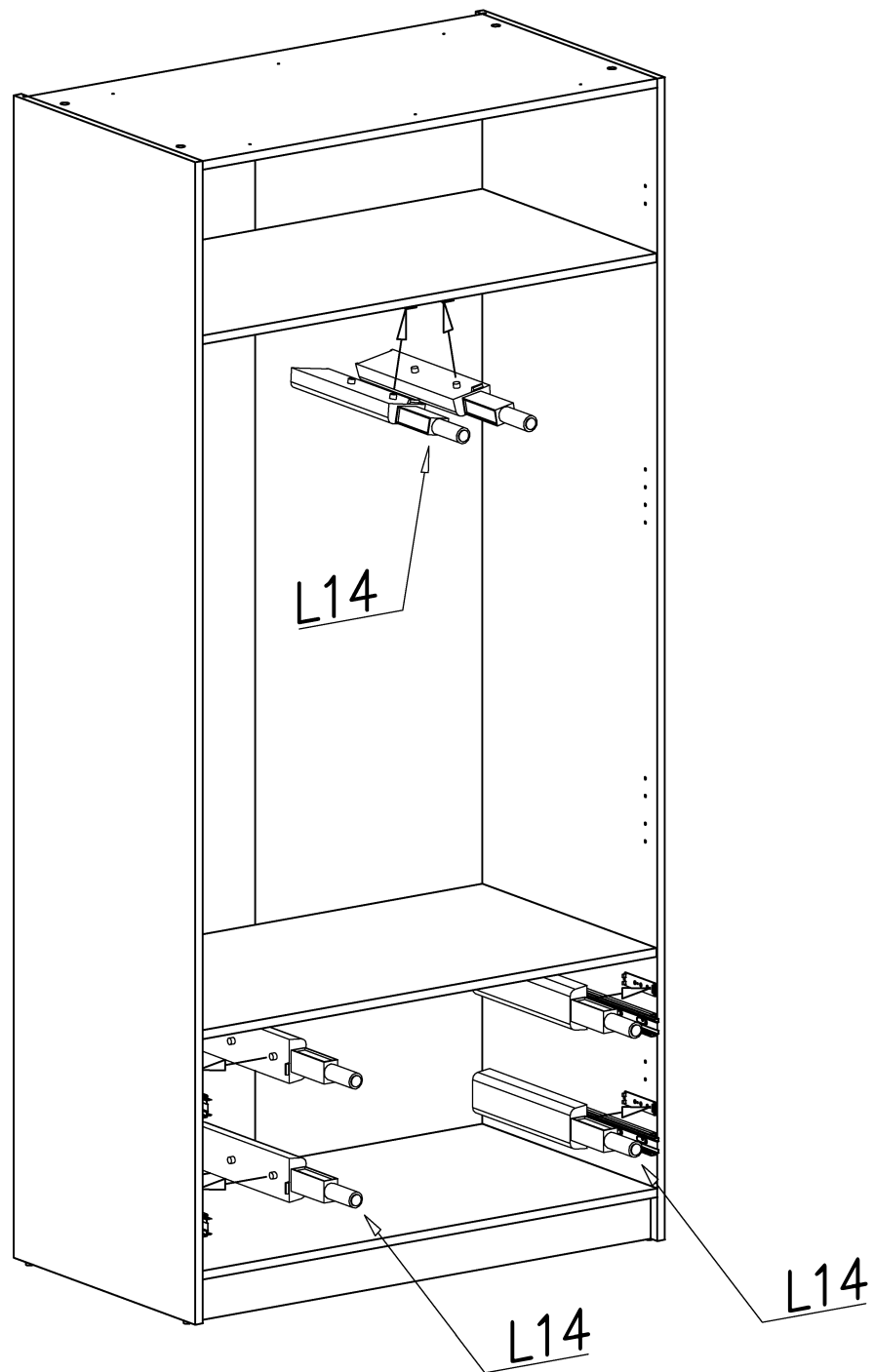
I



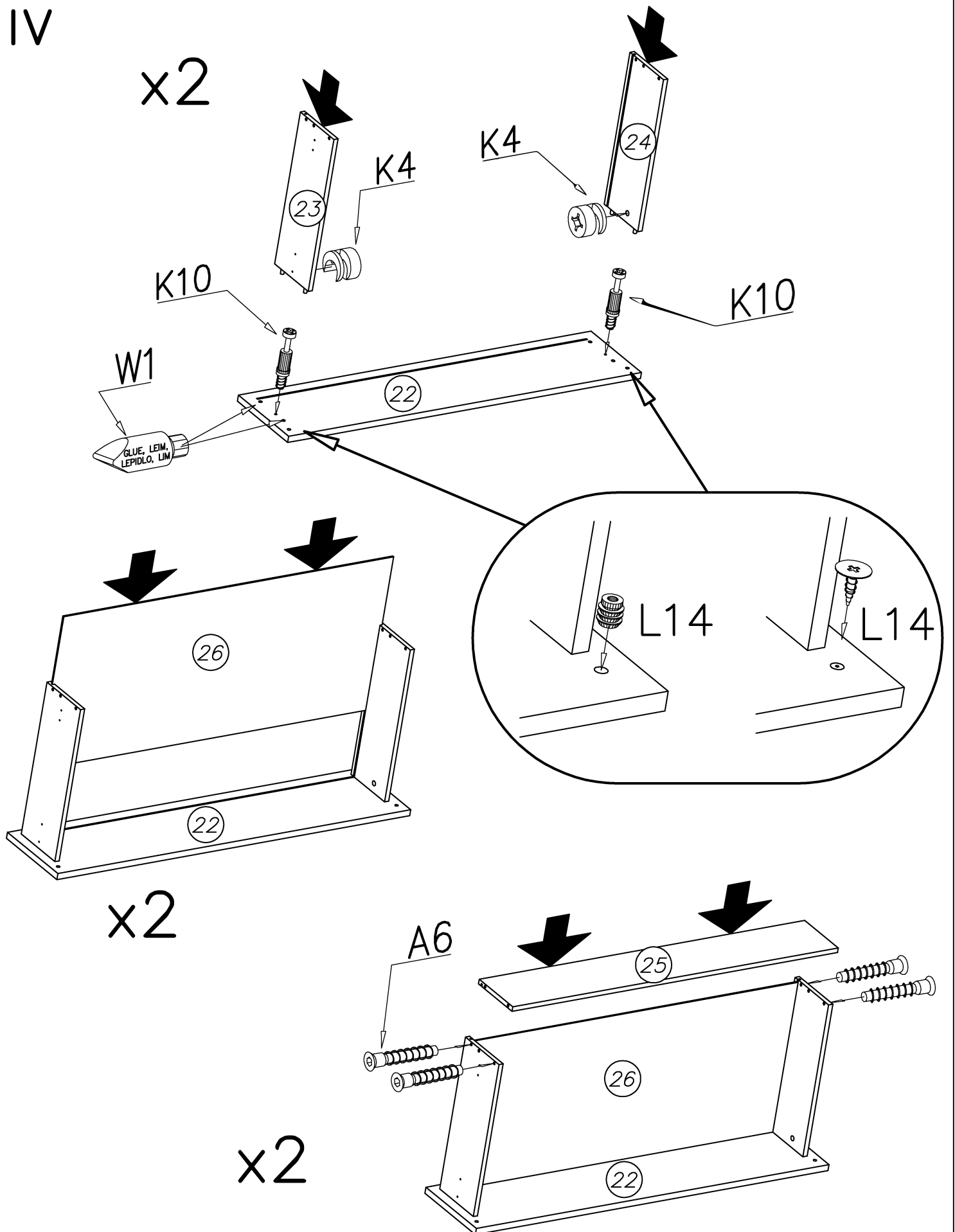
II



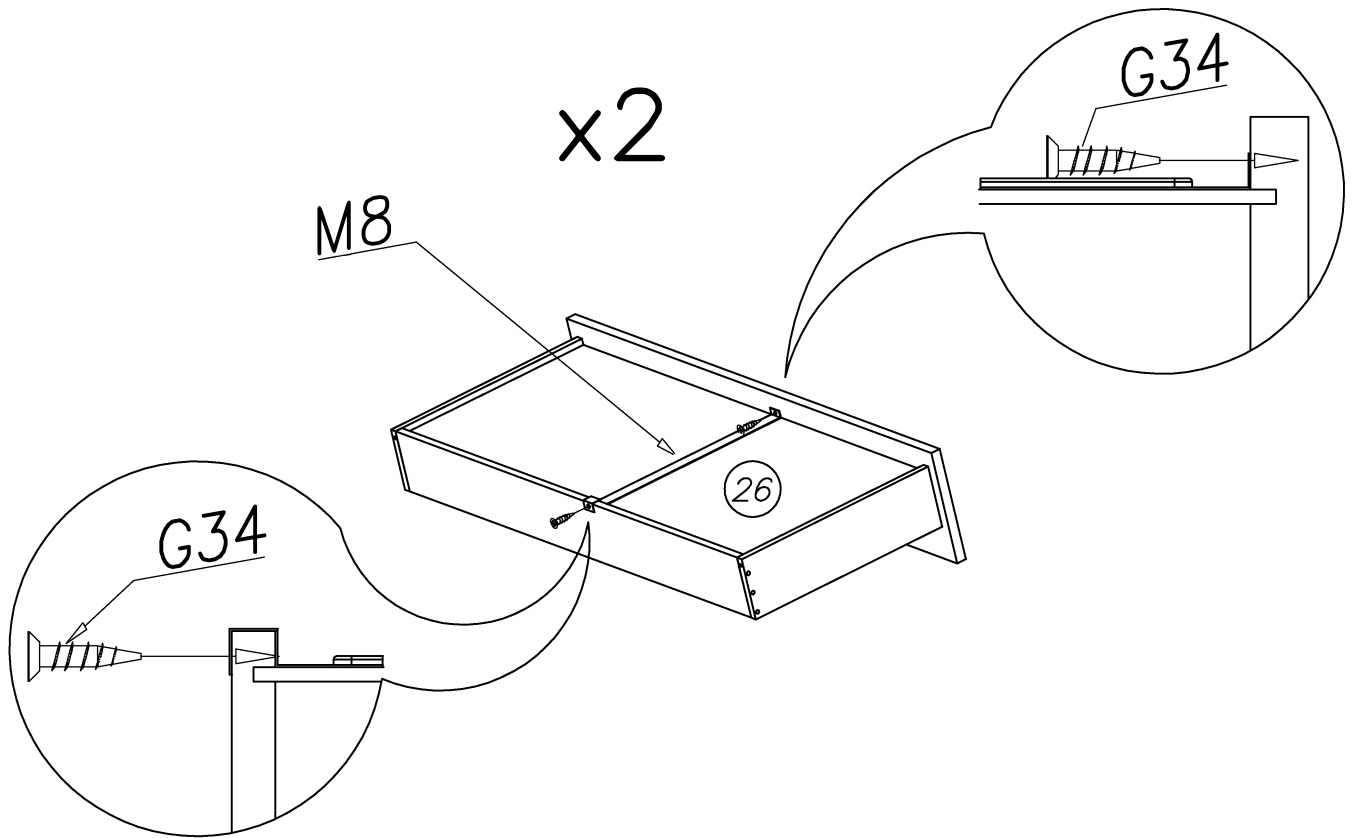
III



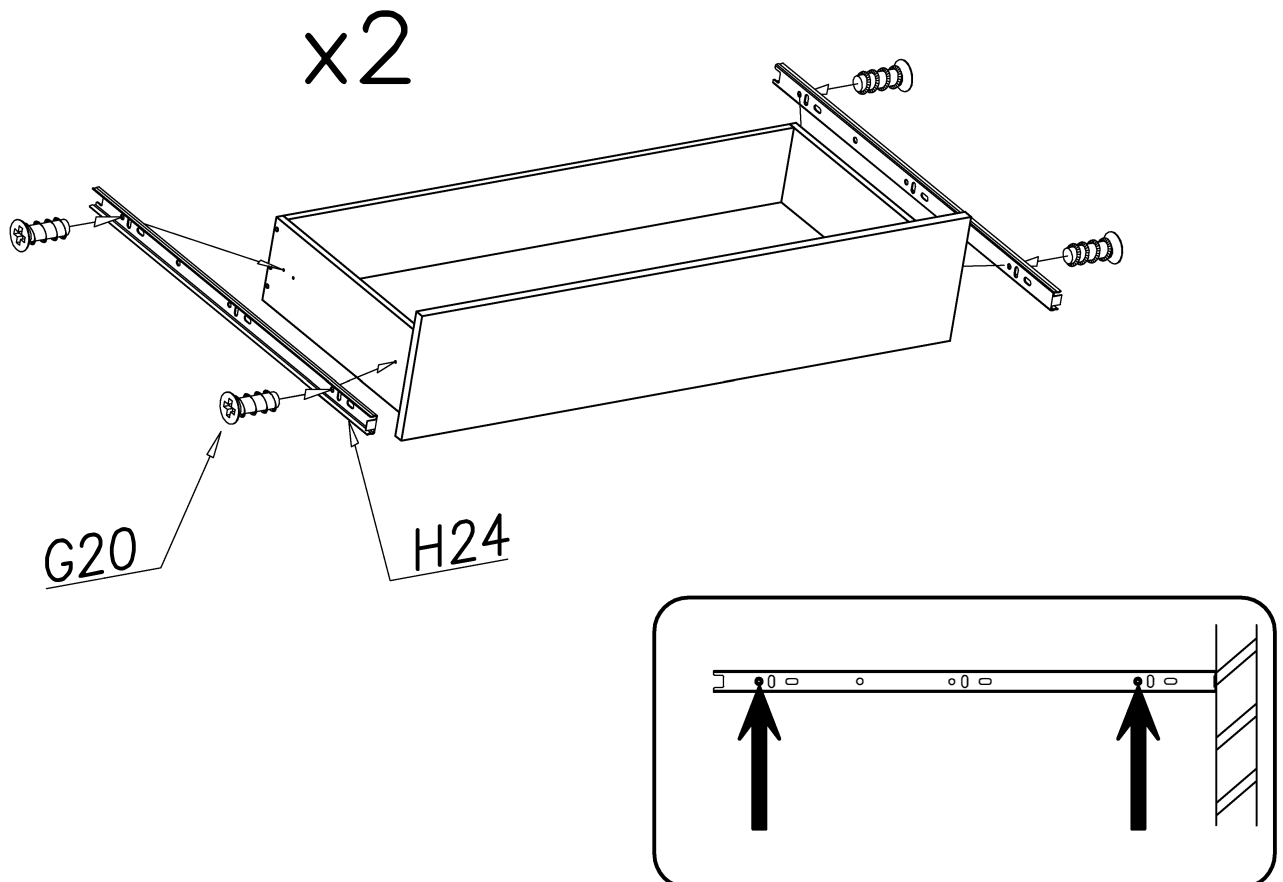
IV



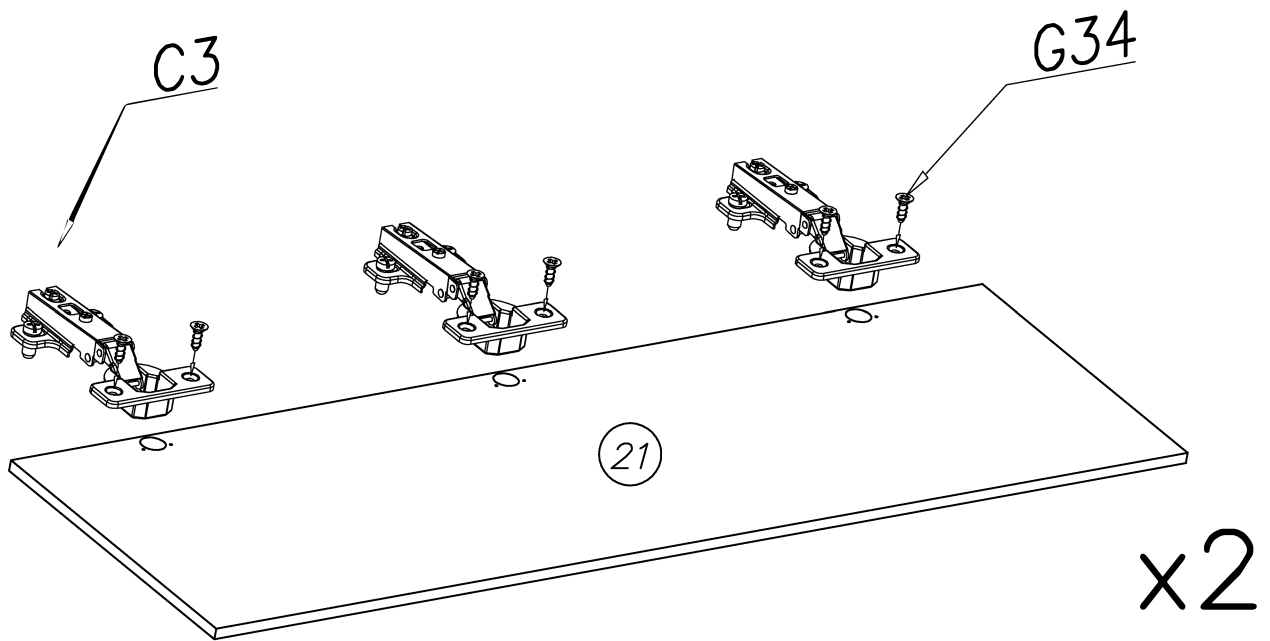
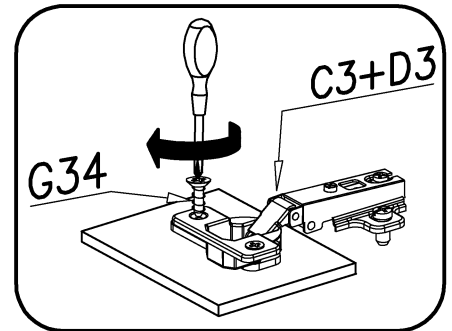
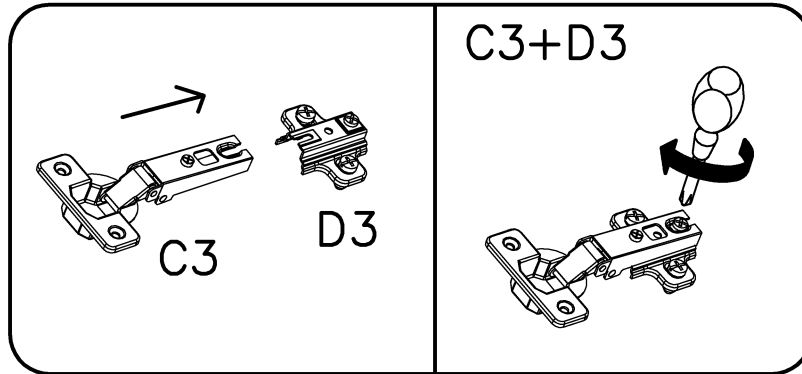
V



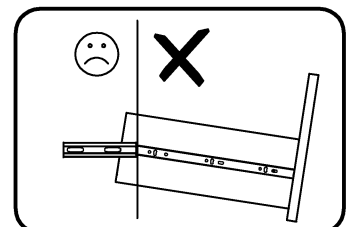
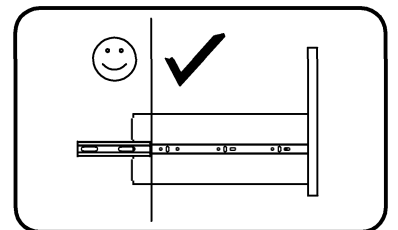
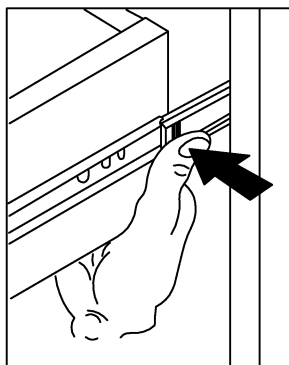
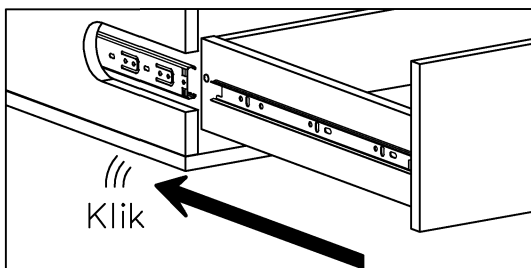
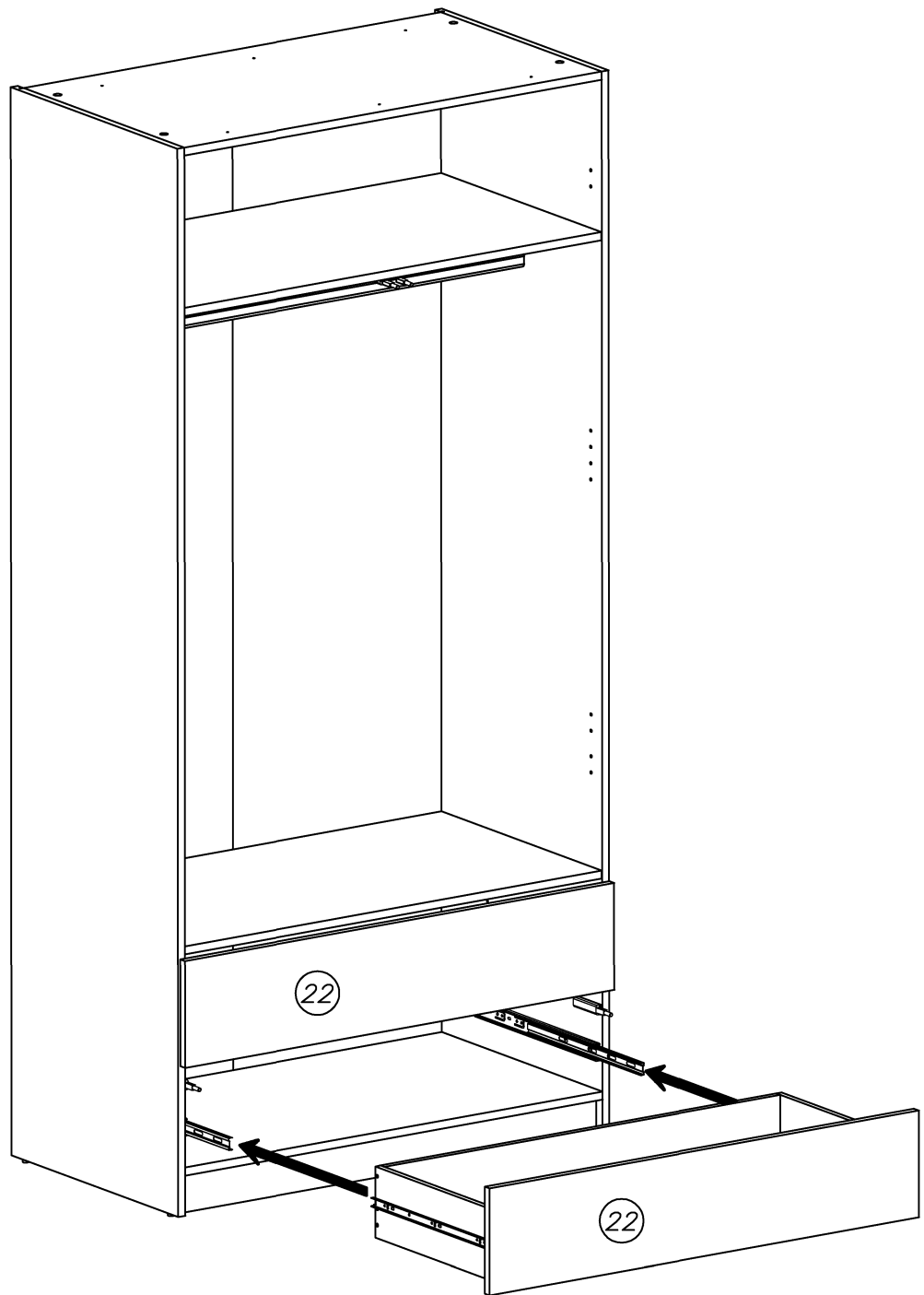
VI



VII



## VIII



IX

