

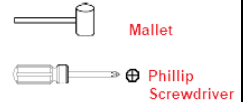
ASSEMBLY INSTRUCTIONS

Wave Butterfly Table

Assembly Requirements: 2-Person Assembly

Assembly Time (Approximate): 30 Minutes

Tools Required (Not Provided):



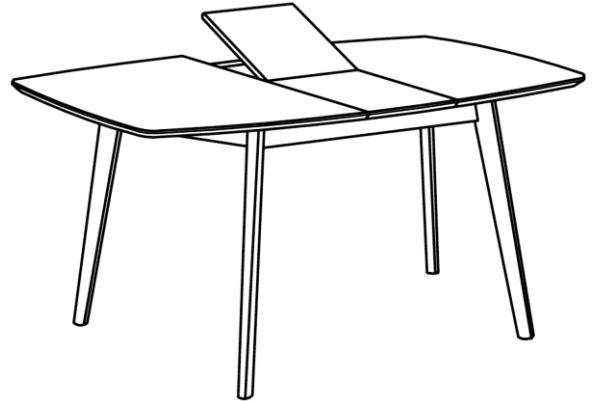
Thank you for purchasing our product!

Please refer and use this assembly instruction to assemble the product. Contact our customer service department in case there are any missing or damage parts or hardware.

Replacement parts are normally shipped within 2 or 3 days.

PRODUCTS PURCHASED THROUGH OUR AUTHORIZED VENDORS ONLY ARE ELIGIBLE FOR REPLACEMENT PARTS

We appreciate your business!



THIS PRODUCT IS FOR INDOOR AND HOUSEHOLD USE ONLY – NOT FOR COMMERCIAL USE.

ASSEMBLY PREPARATION

1. Remove all packaging materials, staples and packing straps from the carton.
2. Refer to Parts List and Hardware List, and ensure parts and hardware are correct before assembly. Contact customer service for missing parts.
3. Place all wooden parts on a clean, flat and soft surface (e.g. carpet or rug) to prevent scratch and damage to parts.

SAFETY PRECAUTION

1. KEEP ALL HARDWARE PARTS OUT OF REACH OF CHILDREN.
2. DISPOSE PLASTIC PACKAGING MATERIAL IMMEDIATELY TO AVOID ANY RISK OF SUFFOCATION TO CHILDREN AND ANIMALS.

TIPS FOR ASSEMBLY

1. Allow ample room for assembly and in close proximity to where product will be placed.
2. Assemble the product on a surface that does not scratch or damage the exterior gloss and finish of the furniture.
3. Identify all of the parts, hardware and quantities required for each step.
4. During assembly, do not over-tighten any fittings as this may cause damage.
5. DO NOT USE POWER TOOLS TO ASSEMBLE THIS PRODUCT.
6. Always place the product on a flat, level surface.
7. Do not sit or stand on the partially assembled product; only use the product for which it is intended.

CARE AND MAINTENANCE

- Wipe clean with a soft, dry cloth; avoid the use of harsh chemicals or household cleaners as they may damage the exterior finish of the furniture.
- Hardware may loosen over time. Periodically, check that all connections are tight; re-tighten as necessary.
- Solid wood is impacted by heat and humidity fluctuations and may result in small joint separations or hairline cracks; place the furniture away from direct sunlight and air conditioning vents, heating vents or units to protect the furniture.




ASSEMBLY INSTRUCTIONS

Wave Butterfly Table

PARTS LIST

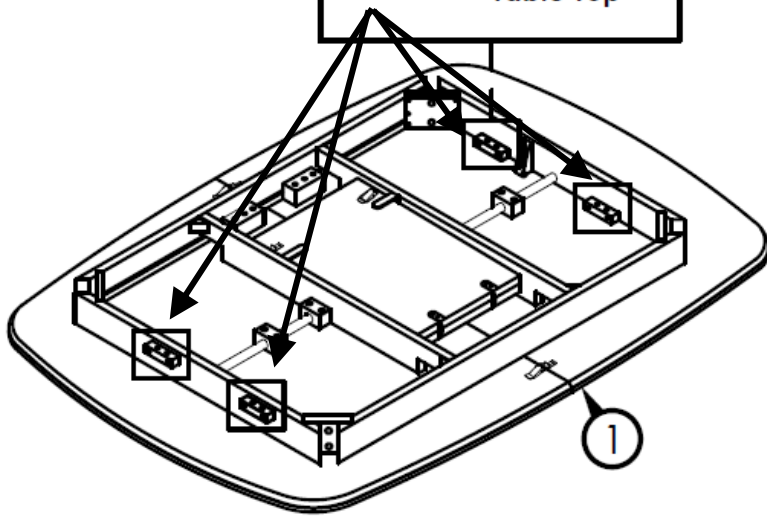
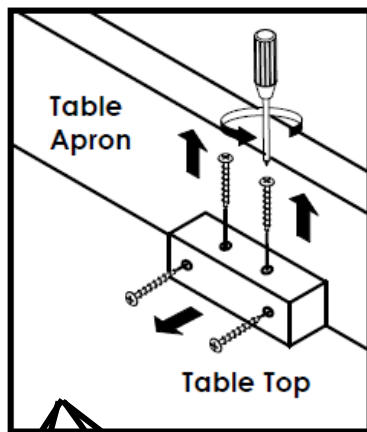
Item	Description	Qty
1	Table Top	1
2	Table Leg	4

HARDWARE LIST

Item	Description	Part	Qty	Extra
A	JCBB M8 x 80mm + 5/16" x 22mm Spring & Flat Washer		8	1
B	Allen Key M5		1	
C	Leg Stud 5/8" With Pin		4	1

Extra hardware for spare use.

PLEASE REMOVE
THE BLOCK



Assembly Steps:

Important Note:

Before assembly, remove the four small blocks located on each side of the table apron. These blocks are secured with screws and were added solely for shipping protection. **If left in place, they will obstruct the sliding mechanism of the table leaf.**

Step 1

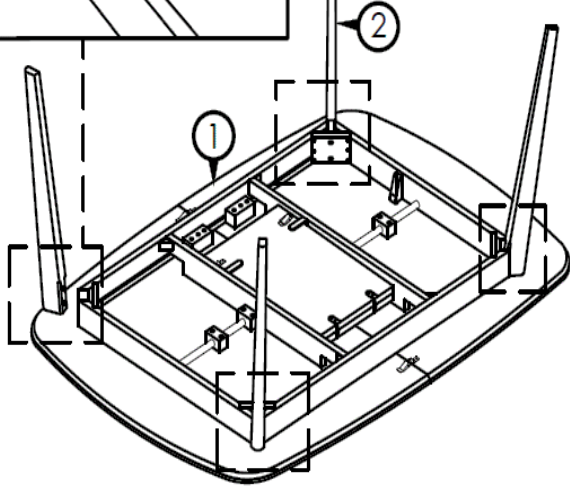
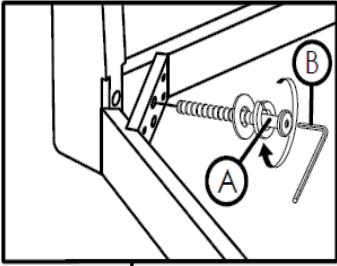
Tools Needed:

- Phillips screwdriver
- Soft protective material (e.g., blanket or foam sheet)
- Assistance from another person

- a) Lay a soft protective material on a flat surface to prevent scratches or damage to the Table Top (1).
- b) With the help of another person, carefully place Table Top (1) upside down—bottom side facing up—on the prepared surface.
- c) Identify the four small blocks attached to each side of the table apron. These are temporary components used for shipping.
- d) Using a Phillips screwdriver, unscrew and remove each block. Discard or store them as needed.

ASSEMBLY INSTRUCTIONS

Wave Butterfly Table

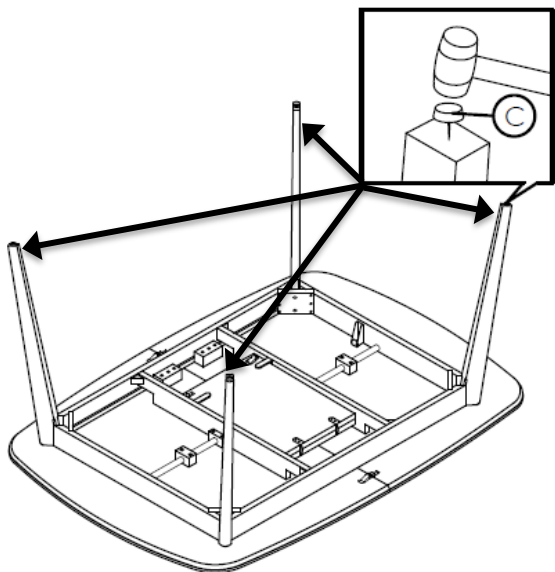


Step 2

Parts & Tools Needed:

- Table Leg (2)
- JCBB M8x80 mm + 5/16"x22mm Spring Washer + Flat Washer (A)
- Allen Key (B)

- a) Position Table Leg (2) against the corner of the table apron.
- b) Ensure the screw holes on the leg align precisely with the screw holes on the corner block.
- c) For each connection point, fit Bolt (A) with one Spring Washer and one Flat Washer.
- d) Insert the assembled bolt through each hole in the corner block and into the aligned screw holes on Table Leg (2).
- e) Use Allen Key (B) to drive Bolt assembly (A) into place.
- f) Do not fully tighten the bolts until both are inserted and the leg is properly positioned.
- g) Once both bolts are in place, tighten them securely—but avoid over-tightening to prevent damage.



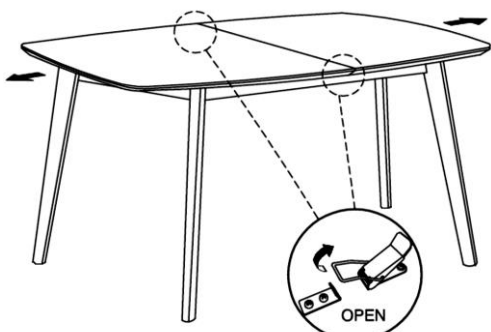
Steps 3

Parts & Tools Needed:

- Leg Stud (C)
- Mallet (not provided)
- Assistance from another person

- a) Position one Leg Stud (C) at the center of the bottom end of each table leg.
- b) Using a mallet, gently tap each Leg Stud (C) into place until fully secured.
- c) Tip: Ensure each stud is centered to maintain table stability.
- d) With assistance, carefully lift and set the table right-side up.

⚠ Caution: Lift from the apron or frame, not the legs, to avoid stress on the joints.



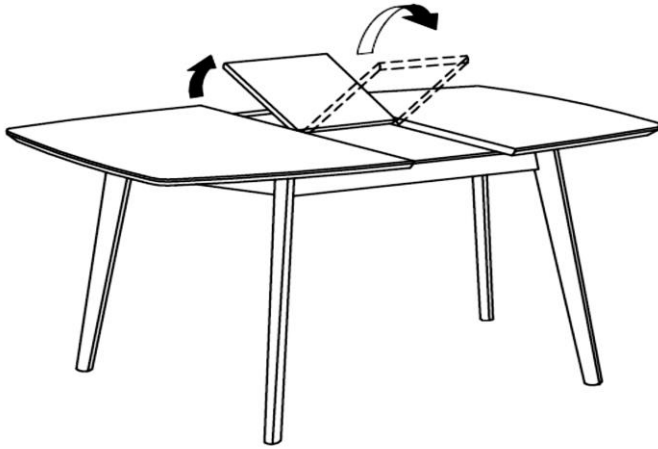
Step 4

- a) Locate the locking mechanisms underneath the table top, near each side.
- b) Unlock both side table locks to release the sliding mechanism.
- c) Firmly grasp both ends of the table top and pull them apart simultaneously.

Tip: Pull evenly to ensure smooth extension and prevent misalignment.

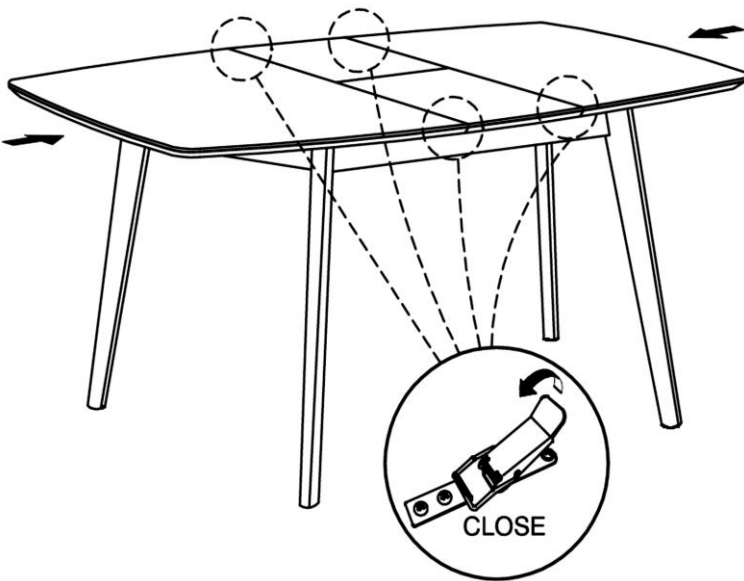
ASSEMBLY INSTRUCTIONS

Wave Butterfly Table



Step 5

- Locate the folded butterfly leaf positioned in the center of the opened table top.
- Carefully unfold both halves of the leaf until it lies flat and fully extended.
- Ensure the leaf is properly aligned before securing or closing the table.



Step 6

- Gently lower the fully unfolded butterfly leaf into the center opening of the table top.
- Ensure the leaf lies flat and flush with the surrounding surface.
- Push both ends of the table top inward simultaneously until they meet the edges of the butterfly leaf.
⚠ Do not force the movement—ensure smooth alignment.
- Confirm that all alignment pins and corresponding holes are properly engaged.
- Check each corner to ensure a secure fit.
- Engage the locking mechanisms underneath the table top on all four sides to secure the structure. This prevents shifting and ensures stability during use.

The assembly of the table is complete.

To Shorten the Table:

Reverse Steps 1 through 4 to fold and store the butterfly leaf