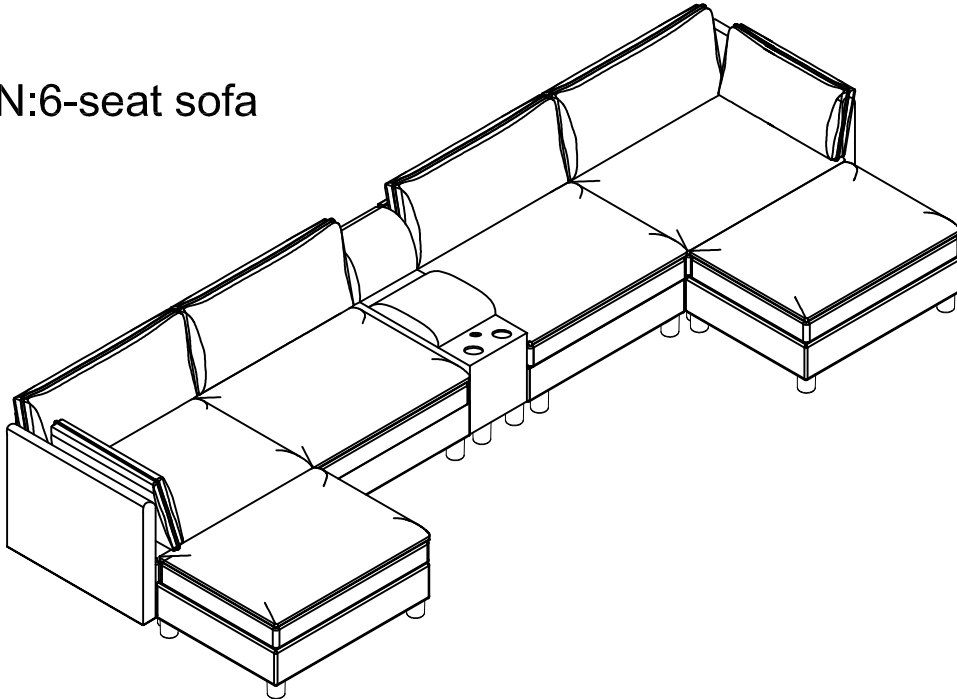


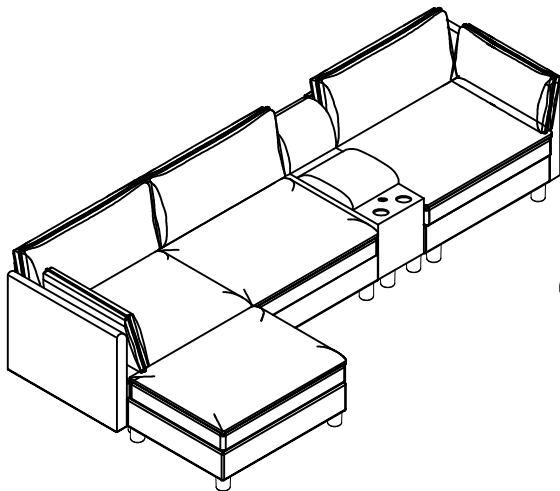
ASSEMBLY INSTRUCTIONS

ITEM NO. FB5026CHF

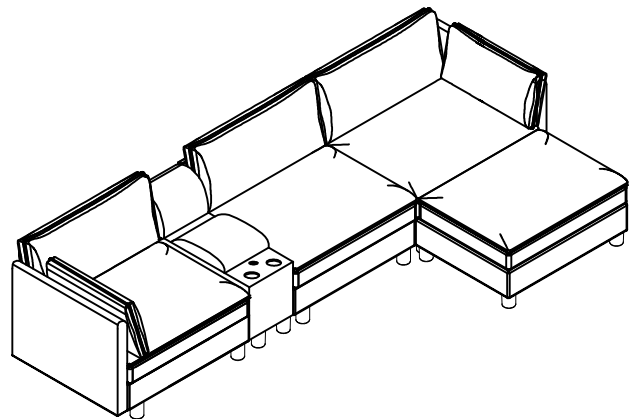
OPTION:6-seat sofa



OPTION :4-seat sofa A or B



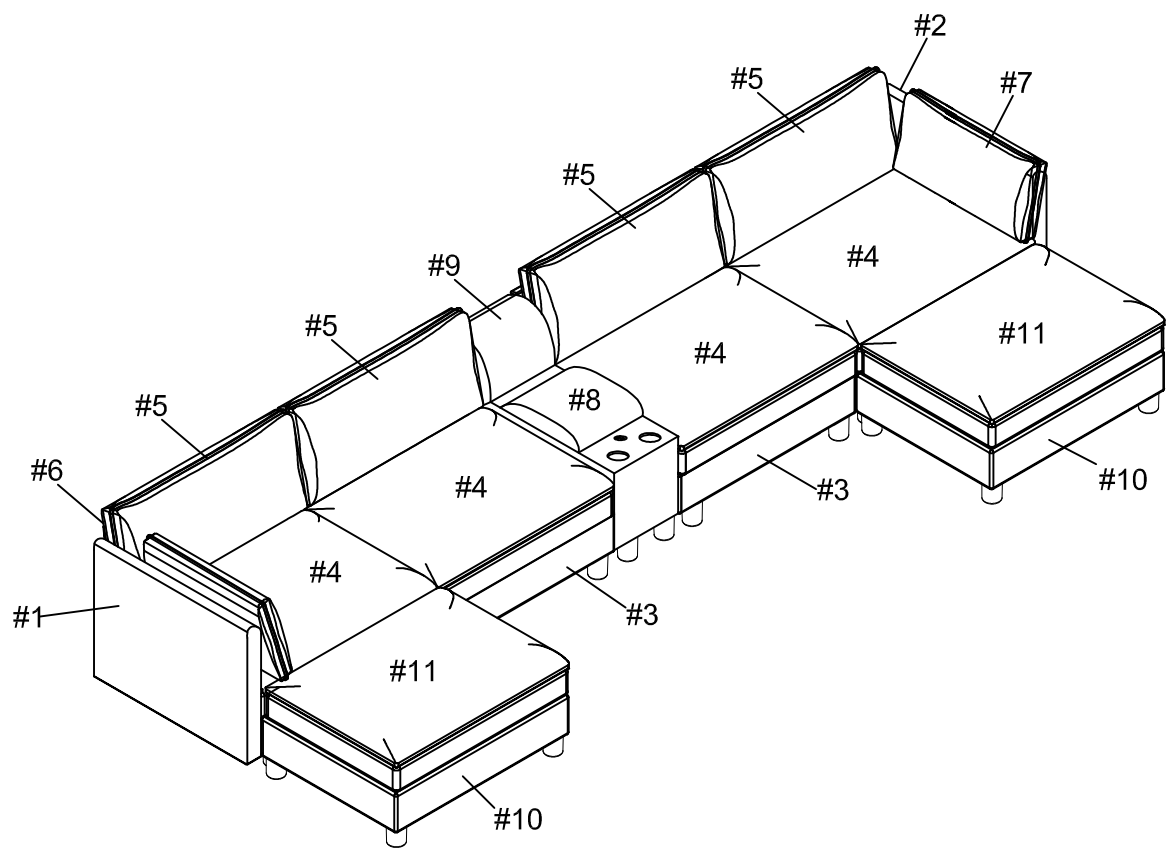
OR



ASSEMBLY TIPS:

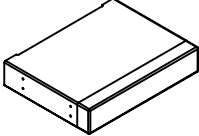
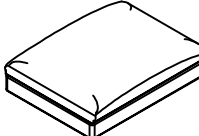

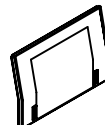
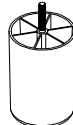



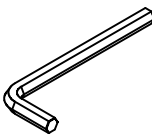
1. Remove hardware from box and sort by size.
2. Please check to see that all hardware and parts are present prior to start of assembly.
3. Please follow attached instructions in the same sequence as numbered to assure fast & easy assembly.

Assembly Instructions for 6-Seater Sofa

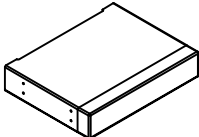
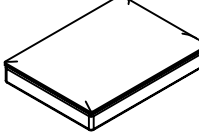
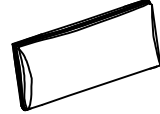
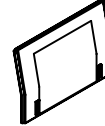
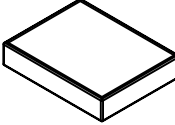
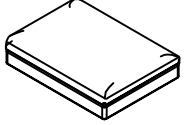
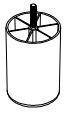



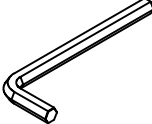


The 6-seater sofa comes in 4 boxes

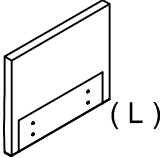
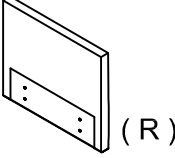
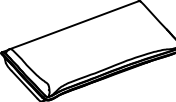
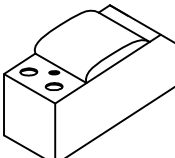
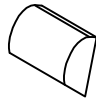
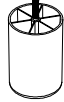



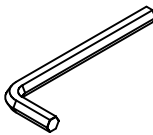

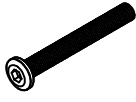
FB5026CHF-AC

#3x2PCS  Seat Frame	#4x2PCS  Seat Cushion	#5x2PCS  Back Cushion	#6x2PCS  Backrest	#Ax8PCS  Leg	#Bx4PCS  5/16"x 80mm
#Cx4PCS  Nut 5/16"	#Ex8PCS  Flat Washer	#Hx1PC  Allen Wrench			

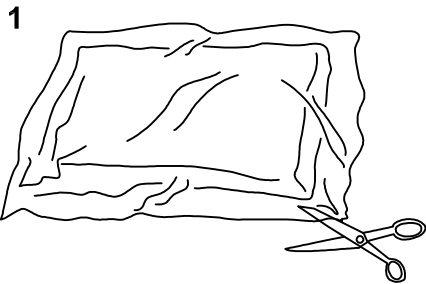
FB5026CHF-AC/OT x 2

#3x1PC  Seat Frame	#4x1PC  Seat Cushion	#5x1PC  Back Cushion	#6x1PC  Backrest	#10x1PC  Ottoman	#11x1PC  Ottoman Seat Cushion
#Ax8PCS  Leg	#Bx4PCS  5/16"x 80mm	#Cx4PCS  Nut 5/16"	#Ex8PCS  Flat Washer	#Hx1PC  Allen Wrench	

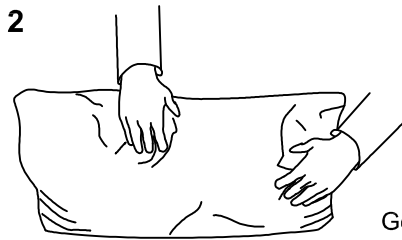
FB5026CHF-CON/ARM

#1x1PC  Left ARM	#2x1PC  Right ARM	#7x2PCS  Hand pillow	#8x1PC  Console	#9x1PC  Console Back Cushion	#Ax4PCS  Leg
#Bx8PCS  5/16"x 80mm	#Cx10PCS  Nut 5/16"	#Ex16PCS  Flat Washer	#Hx1PC  Allen Wrench	#Fx2PCS  Connect plate	#Dx8PCS  M8 x 60mm Spare Hardware

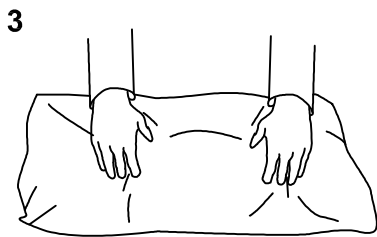
Your sofa cushions are vacuum-packed for shipping. To restore their shape, follow these steps:



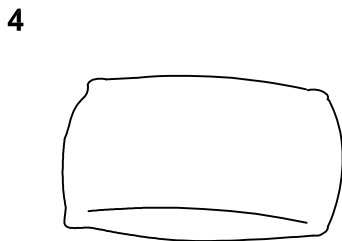
Carefully open the vacuum bag, avoiding damage to the cushion.



Gently press from the sides to let air enter.



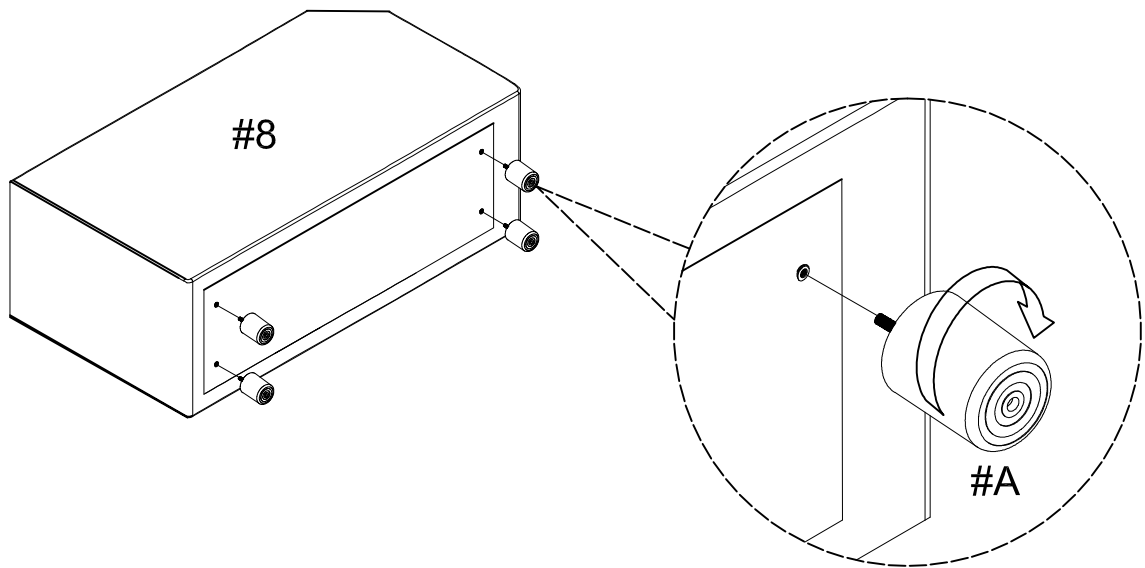
Press from the front to ensure even expansion.



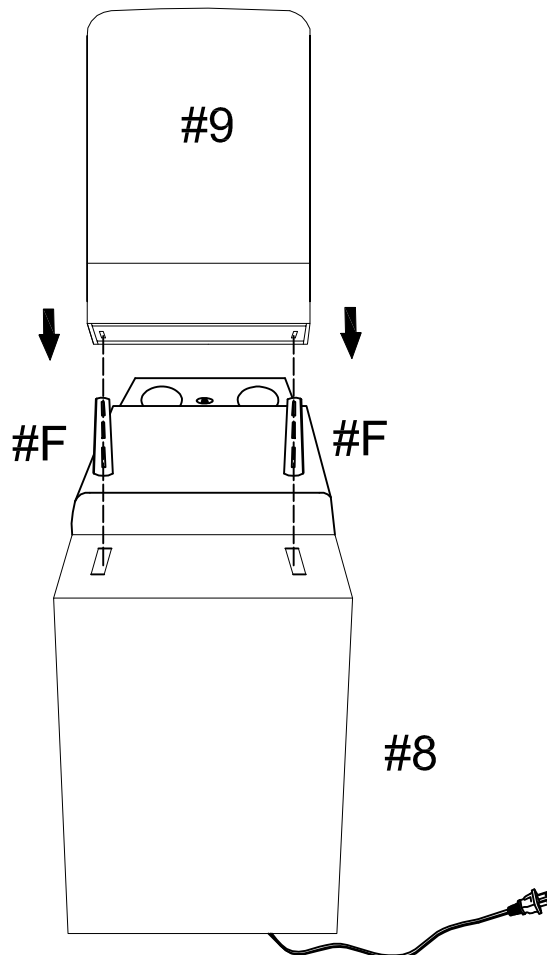
Adjust each section until the surface is even.

Place in a dry, ventilated area for 72-96 hours to reach optimal use condition.

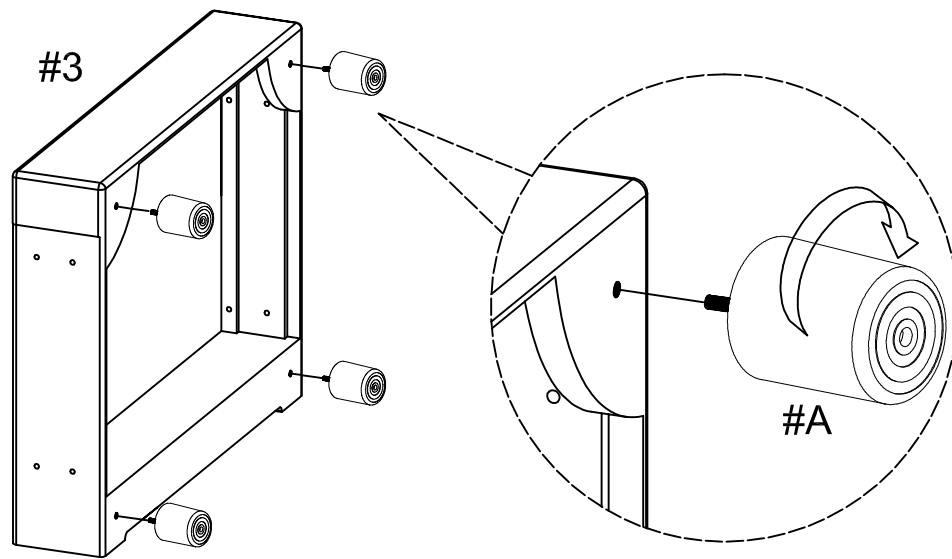
STEP 1:



STEP 2:

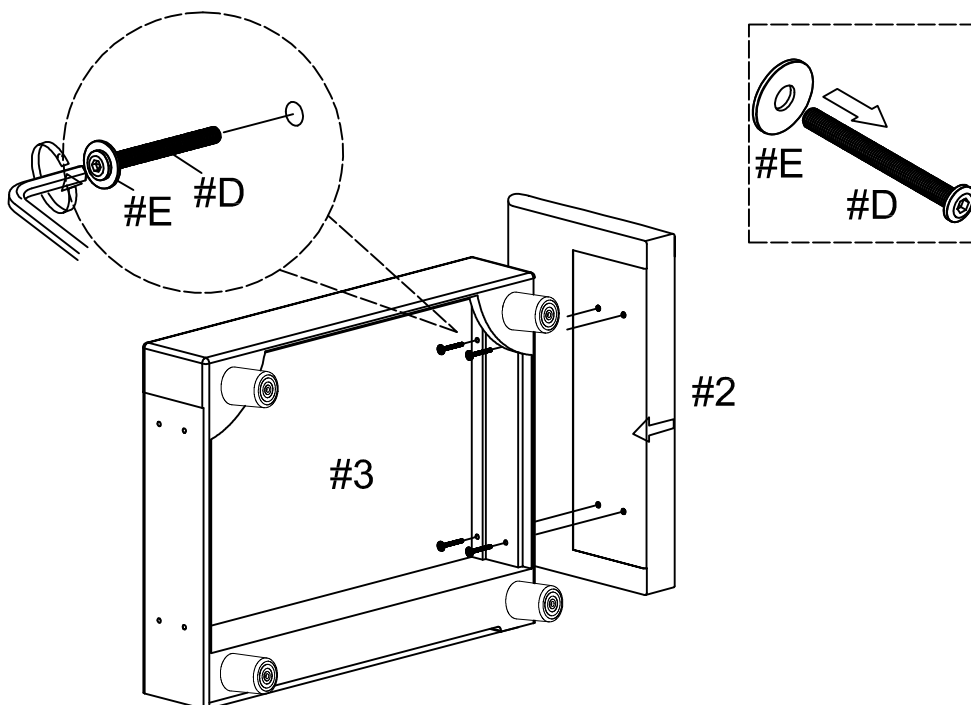


STEP 3:

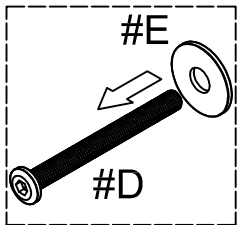
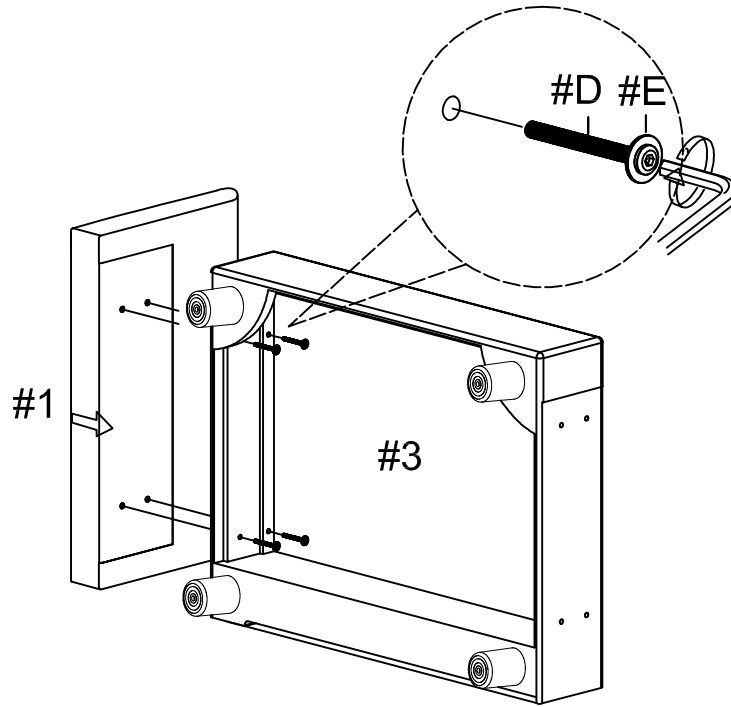


x 4

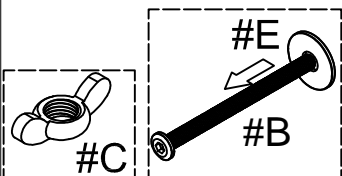
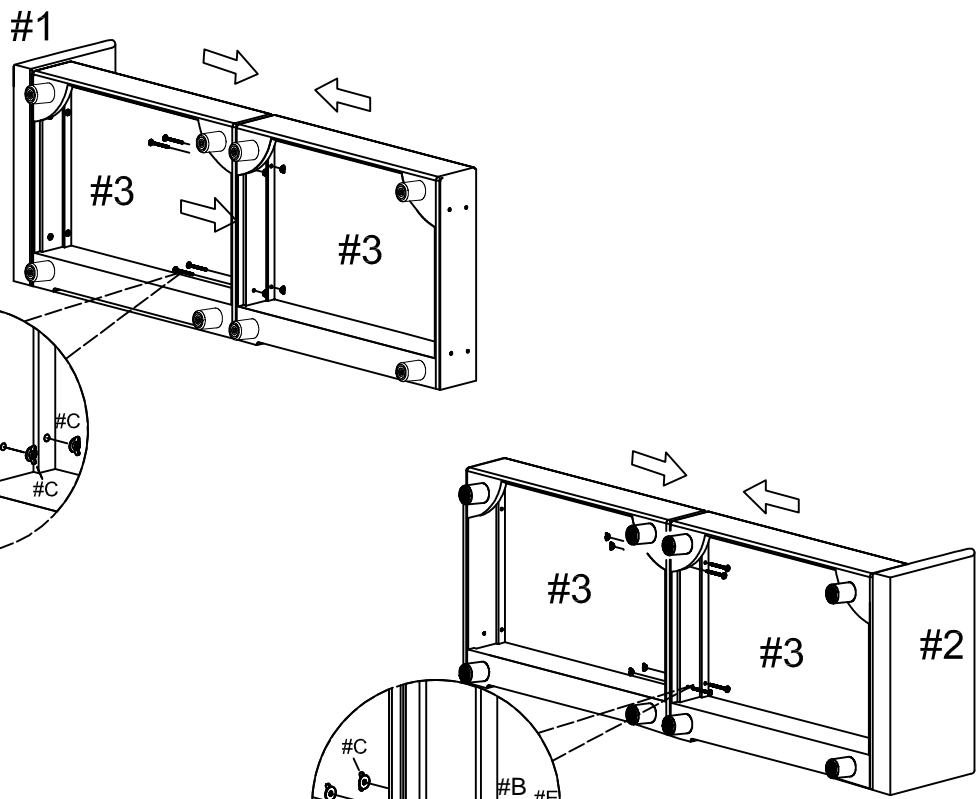
STEP 4:



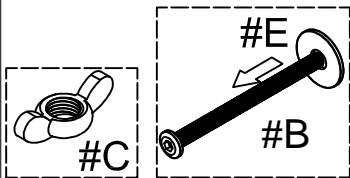
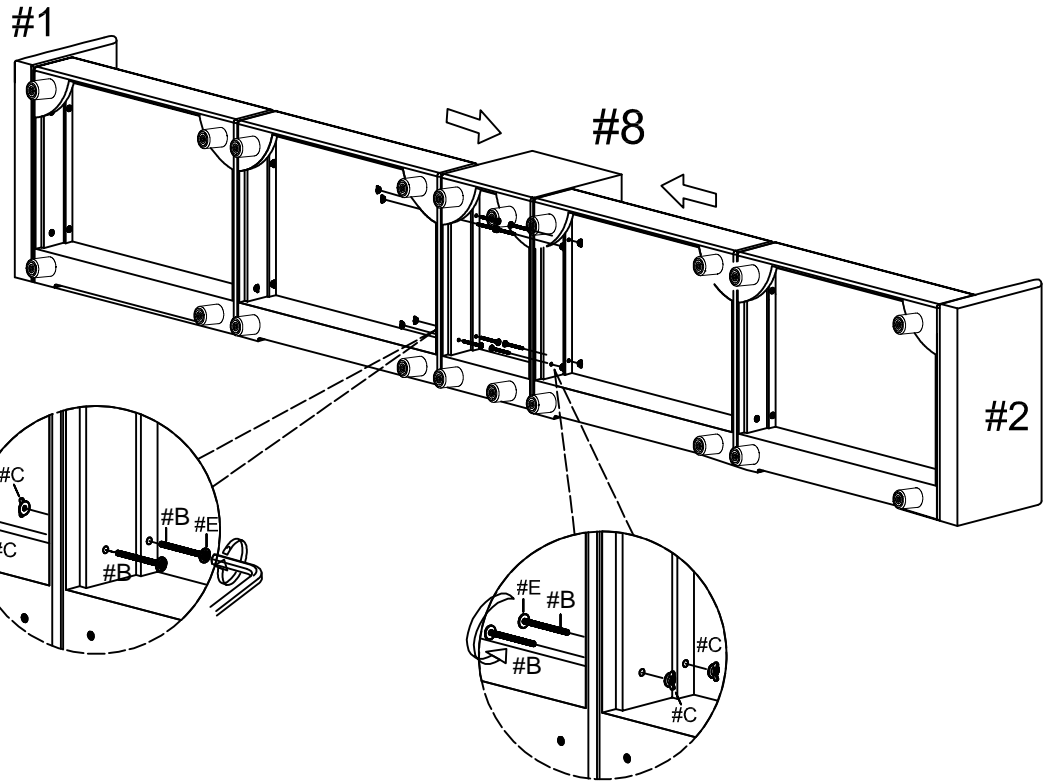
STEP 5:



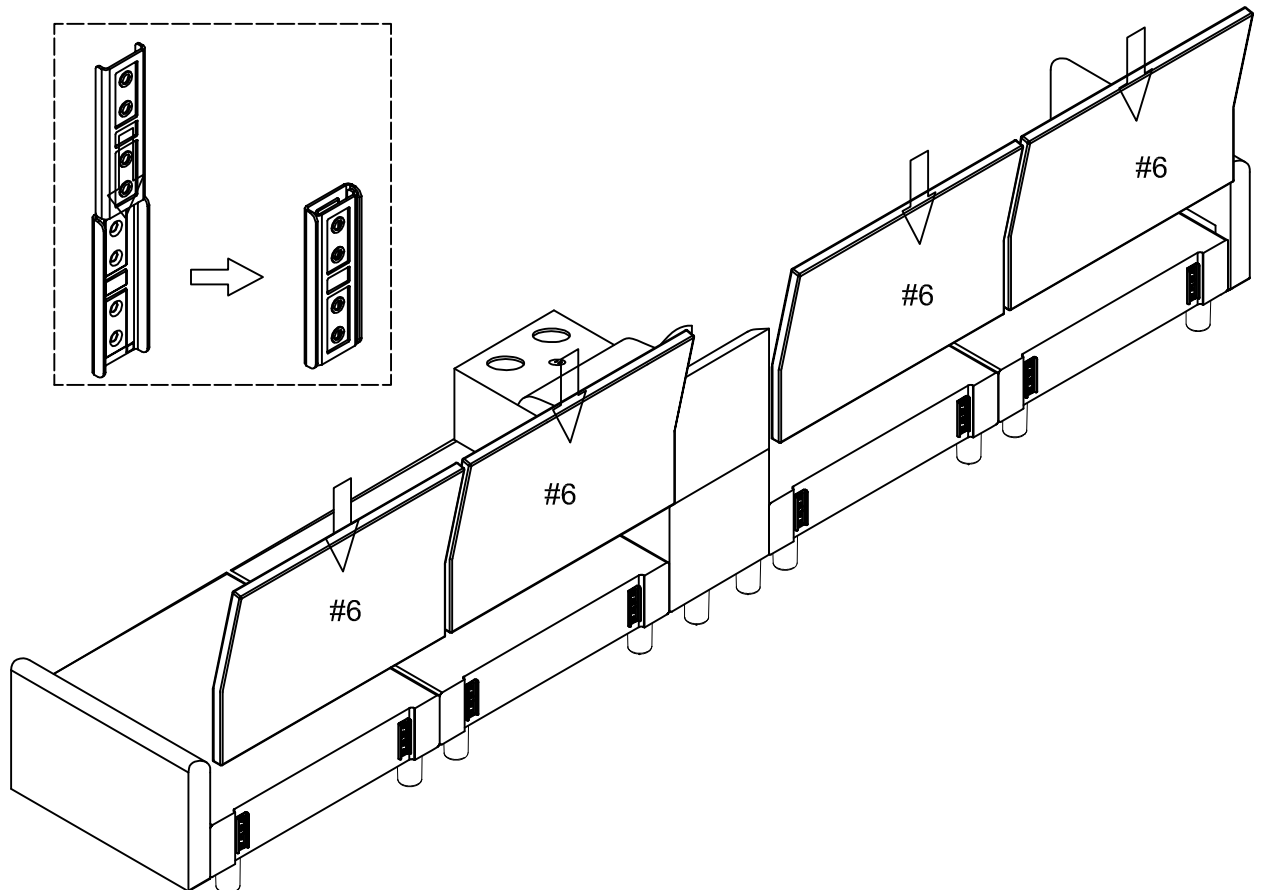
STEP 6:



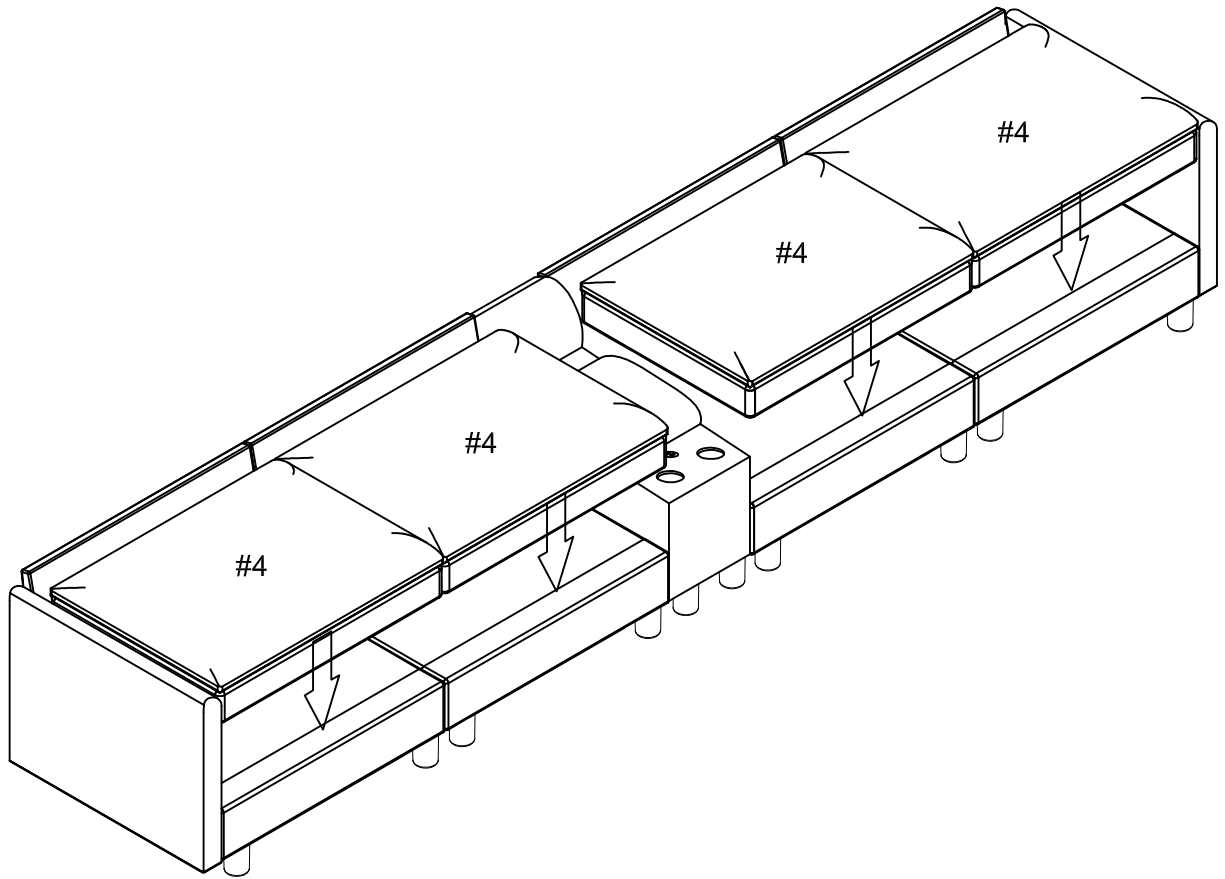
STEP 7:



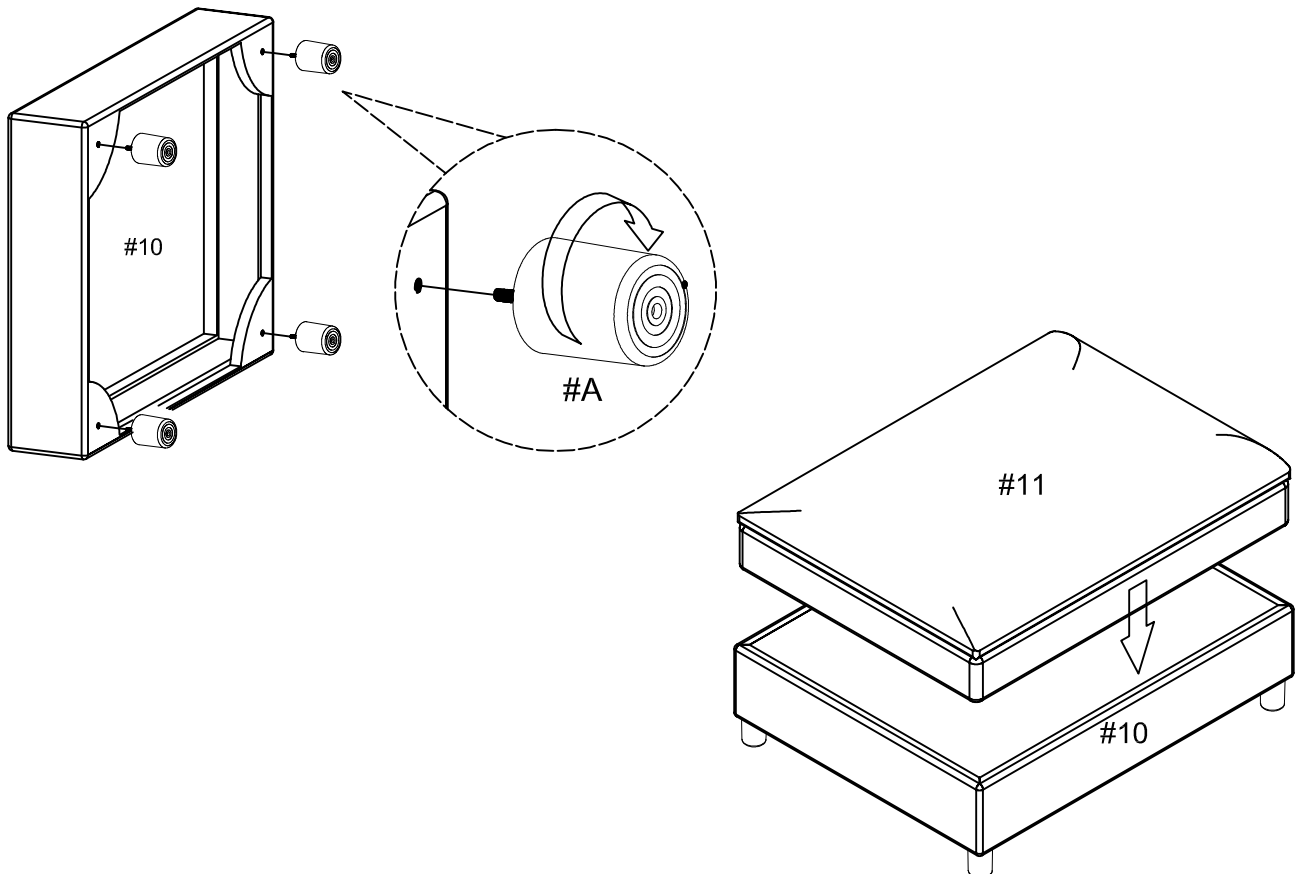
STEP 8:



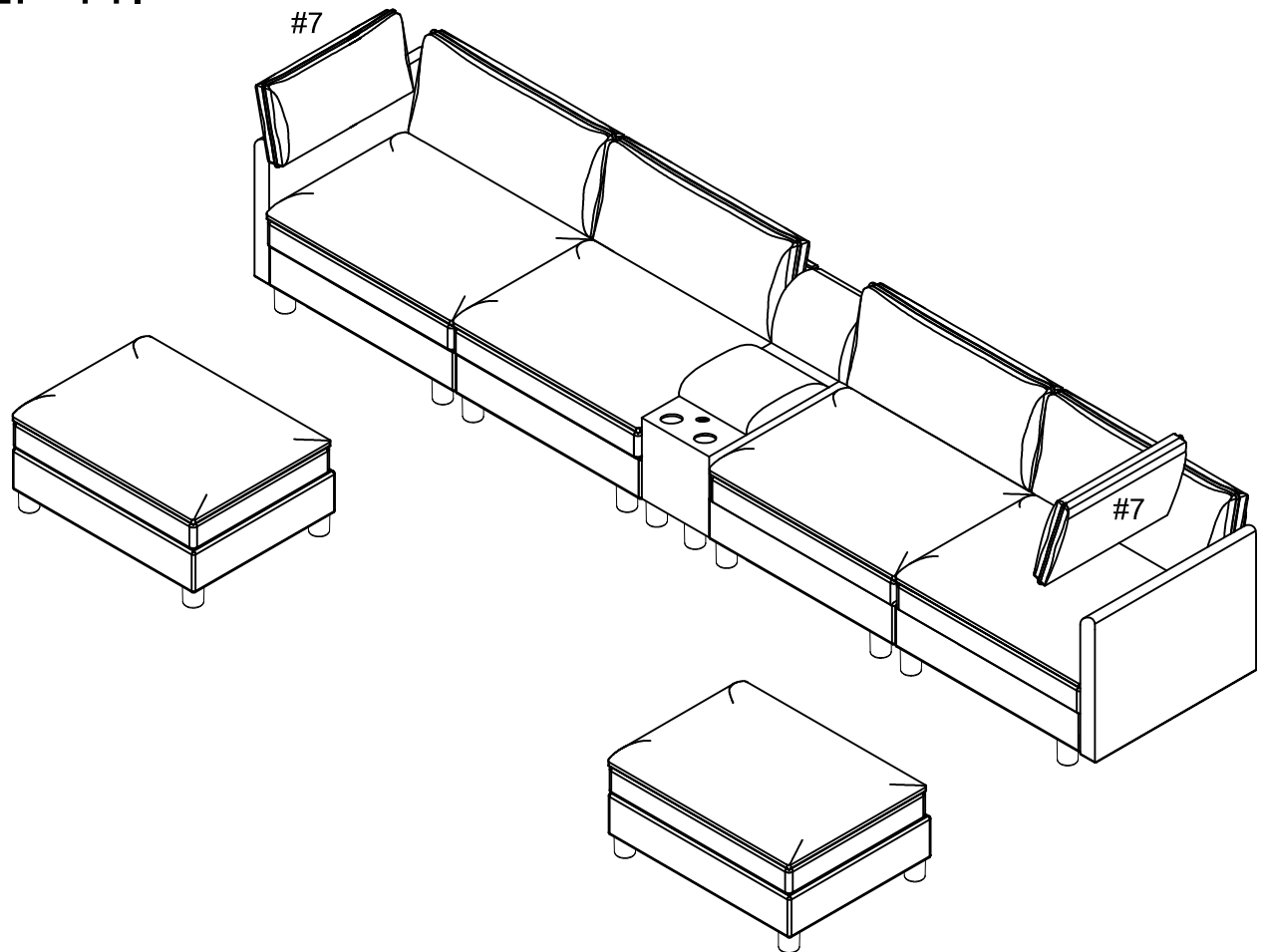
STEP 9:



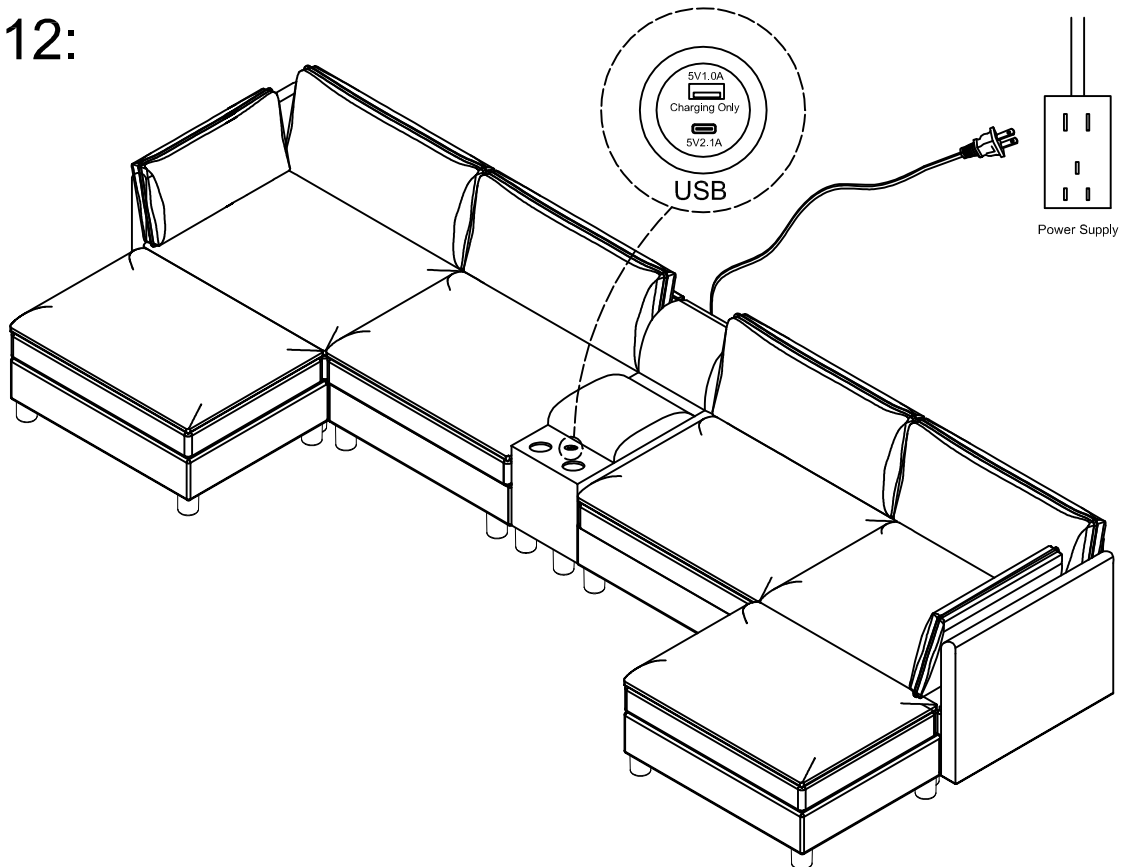
STEP 10:



STEP 11:

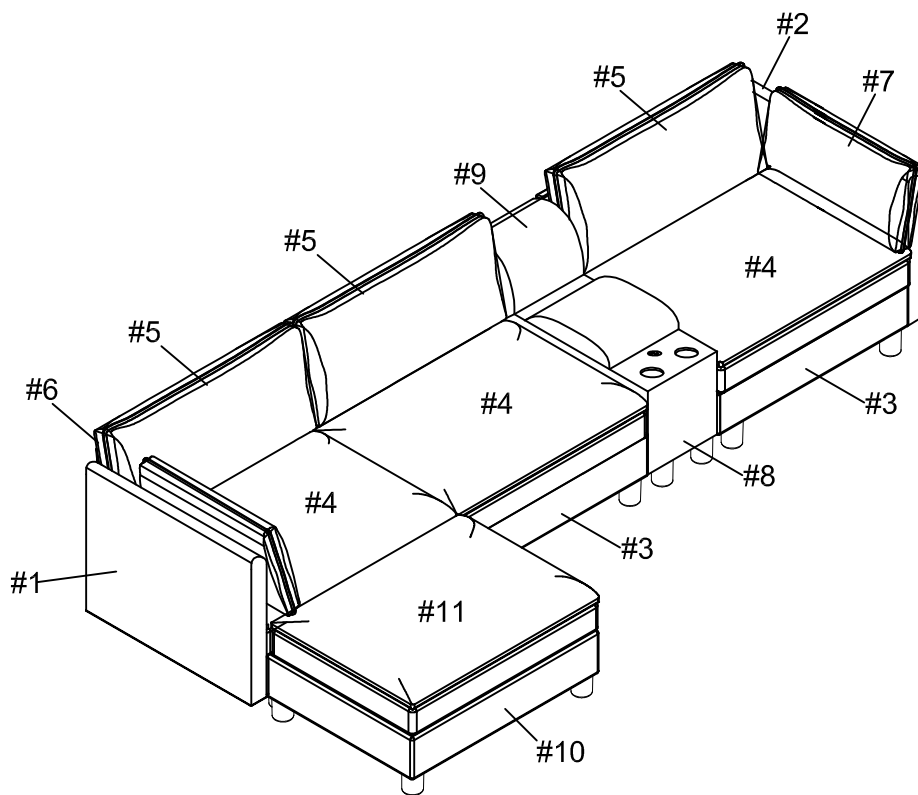


STEP 12:

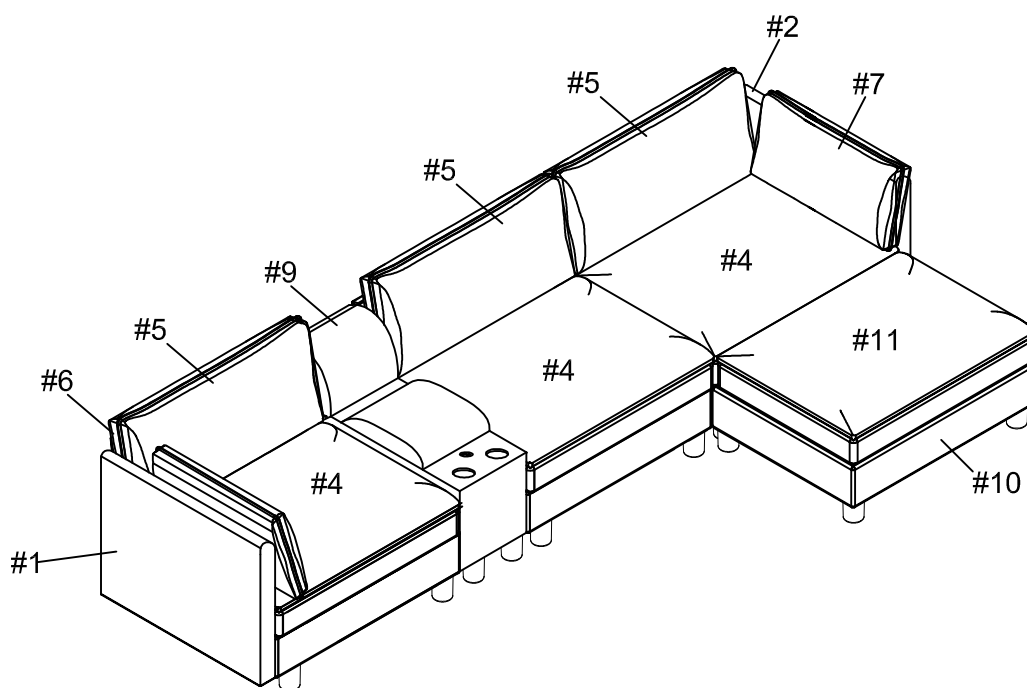


The 6-person seat assembly is completed

Assembly Instructions for 4-Seater Sofa

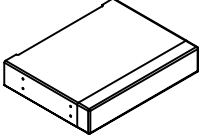
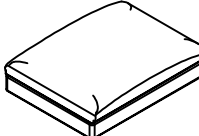

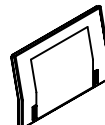
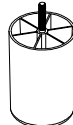



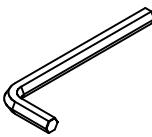


OR

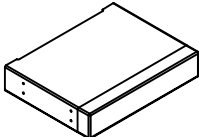
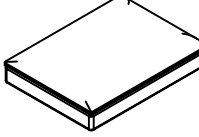
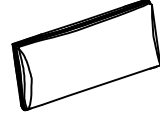
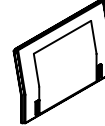
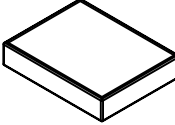
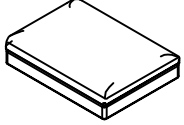
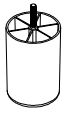



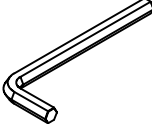


The 4-seater sofa comes in 3 boxes

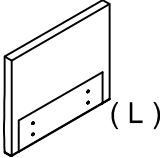
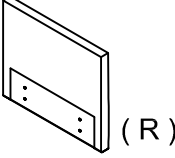
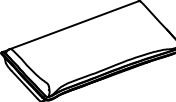
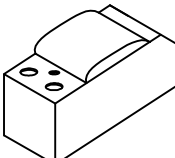
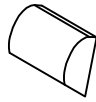
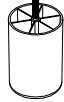



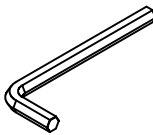

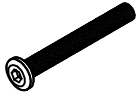
FB5026CHF-AC

#3x2PCS  Seat Frame	#4x2PCS  Seat Cushion	#5x2PCS  Back Cushion	#6x2PCS  Backrest	#Ax8PCS  Leg	#Bx4PCS  5/16"x 80mm
#Cx4PCS  Nut 5/16"	#Ex8PCS  Flat Washer	#Hx1PC  Allen Wrench			

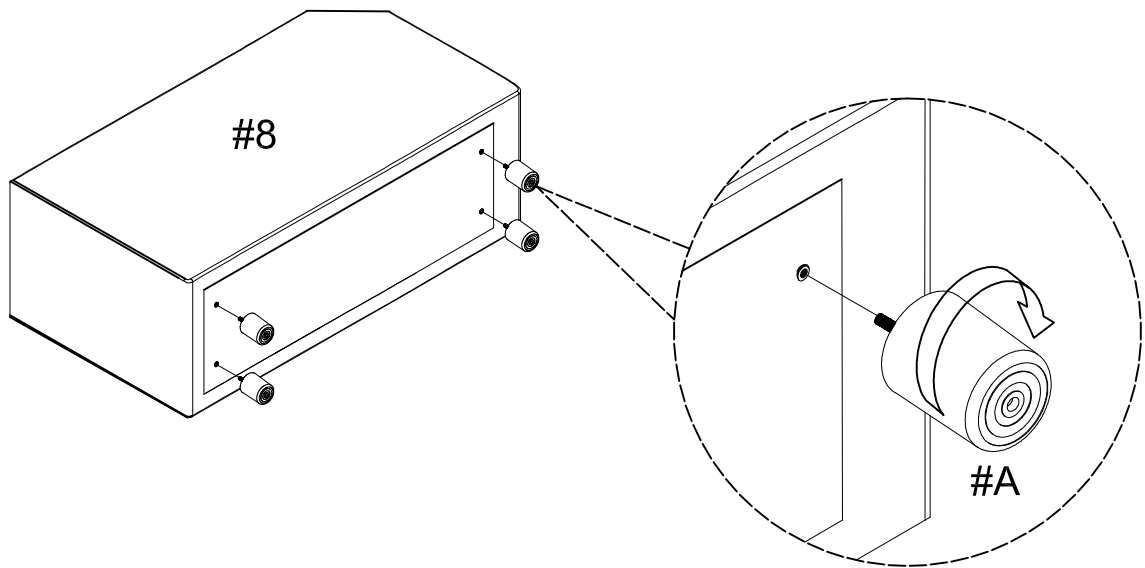
FB5026CHF-AC/OT

#3x1PC  Seat Frame	#4x1PC  Seat Cushion	#5x1PC  Back Cushion	#6x1PC  Backrest	#10x1PC  Ottoman	#11x1PC  Ottoman Seat Cushion
#Ax8PCS  Leg	#Bx4PCS  5/16"x 80mm	#Cx4PCS  Nut 5/16"	#Ex8PCS  Flat Washer	#Hx1PC  Allen Wrench	

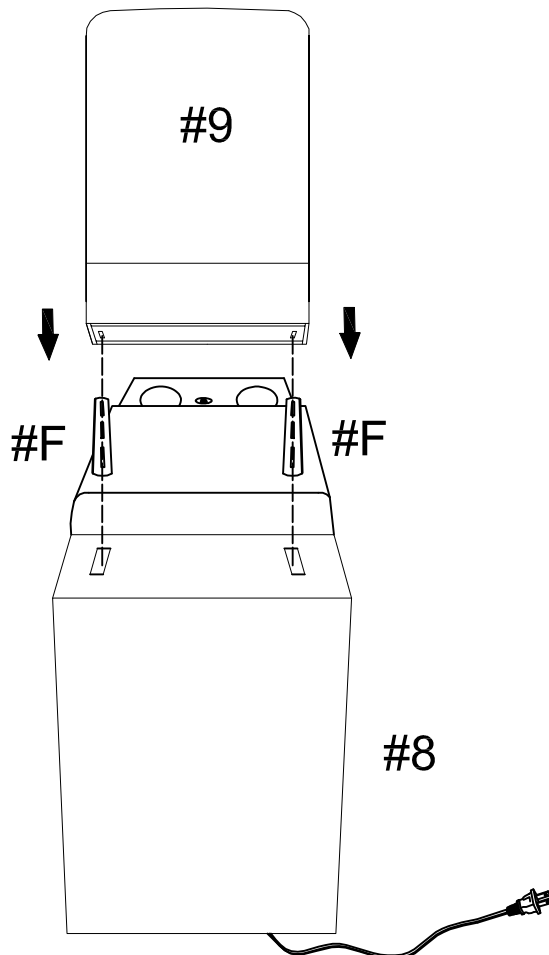
FB5026CHF-CON/ARM

#1x1PC  Left ARM	#2x1PC  Right ARM	#7x2PCS  Hand pillow	#8x1PC  Console	#9x1PC  Console Back Cushion	#Ax4PCS  Leg
#Bx8PCS  5/16"x 80mm	#Cx10PCS  Nut 5/16"	#Ex16PCS  Flat Washer	#Hx1PC  Allen Wrench	#Fx2PCS  Connect plate	#Dx8PCS  M8 x 60mm Spare Hardware

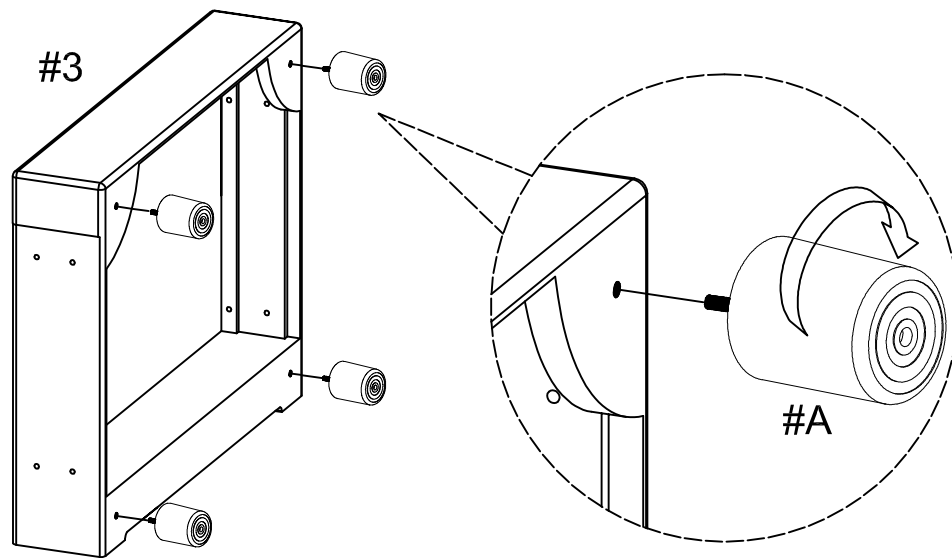
STEP 1:



STEP 2:

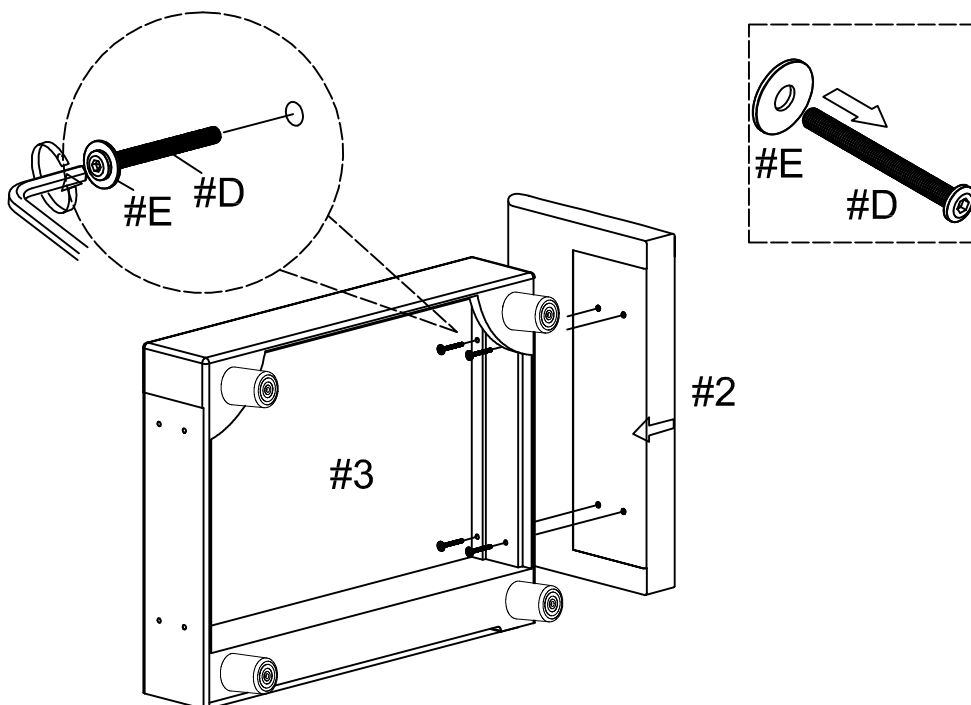


STEP 3:

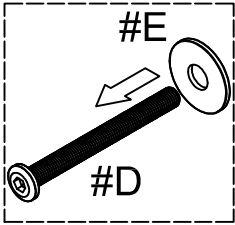
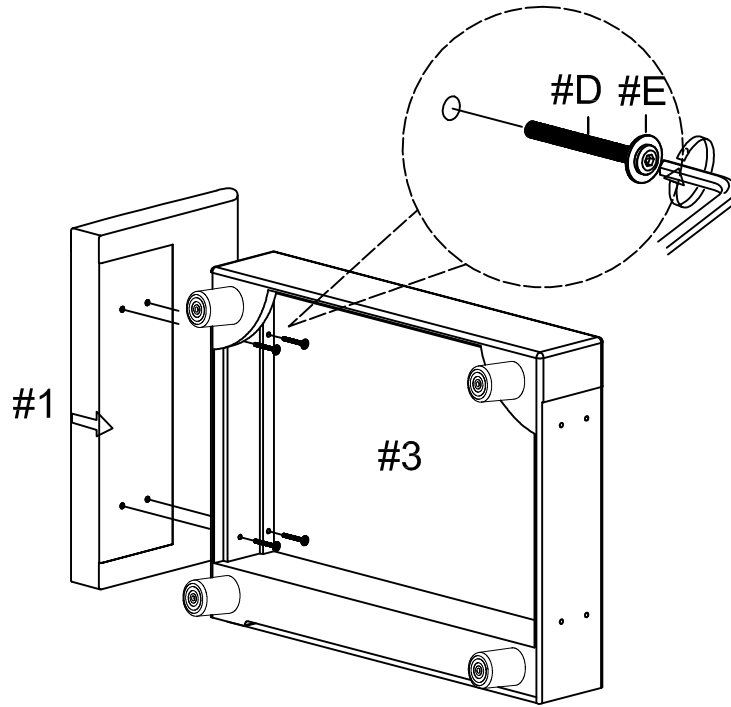


x 4

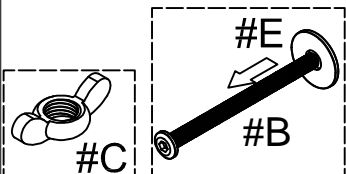
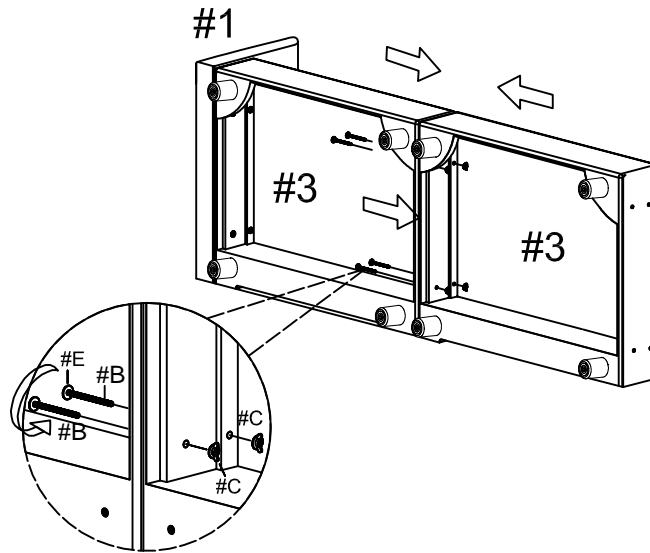
STEP 4:



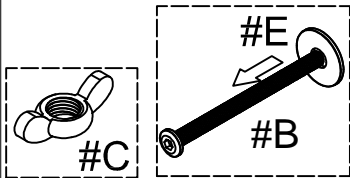
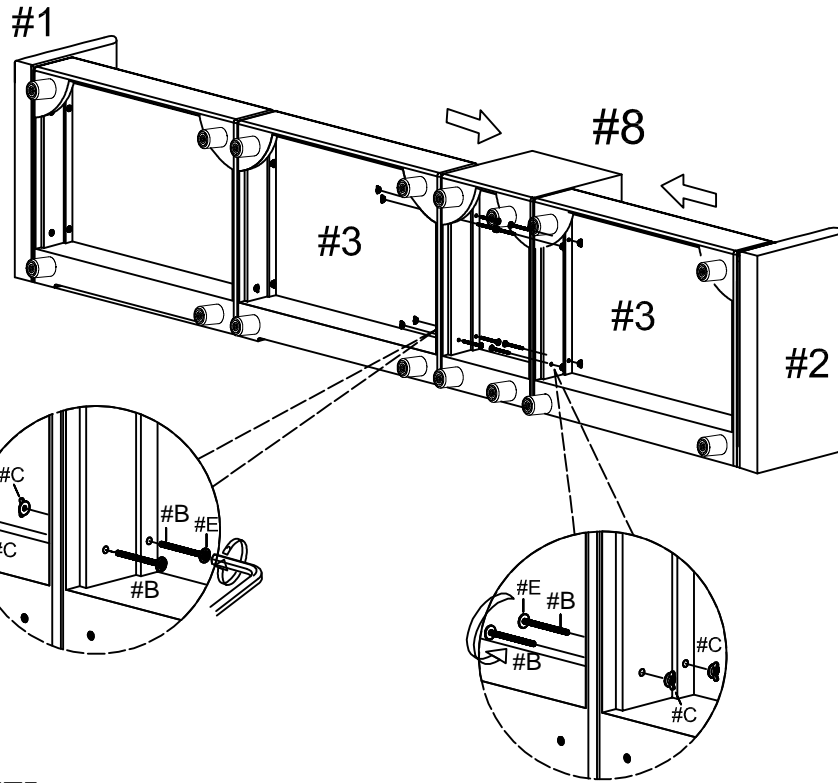
STEP 5:



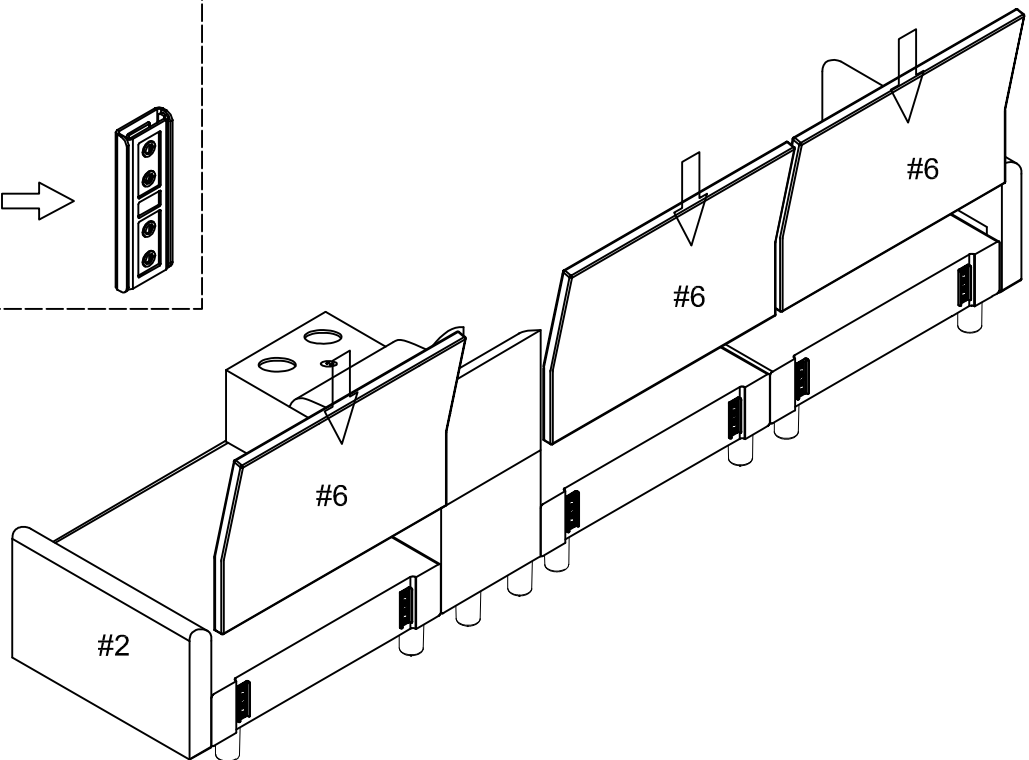
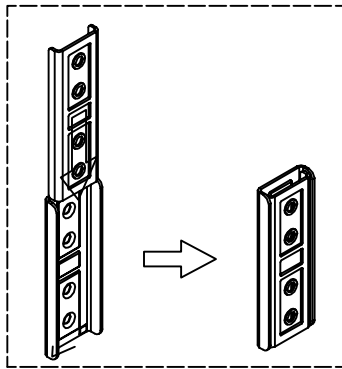
STEP 6:



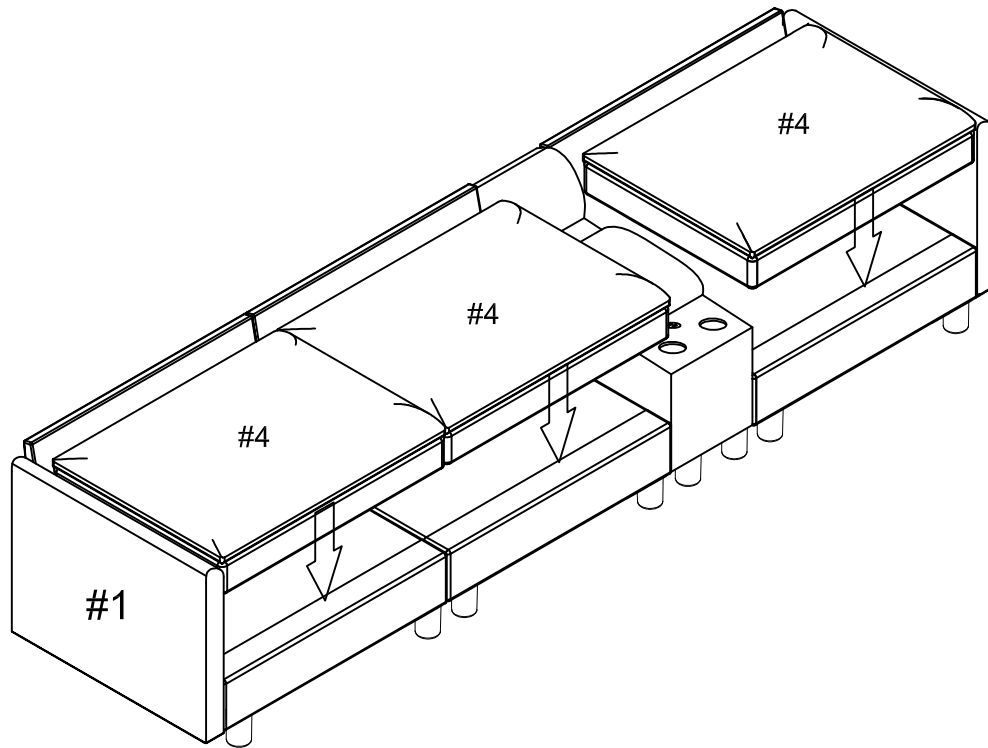
STEP 7:



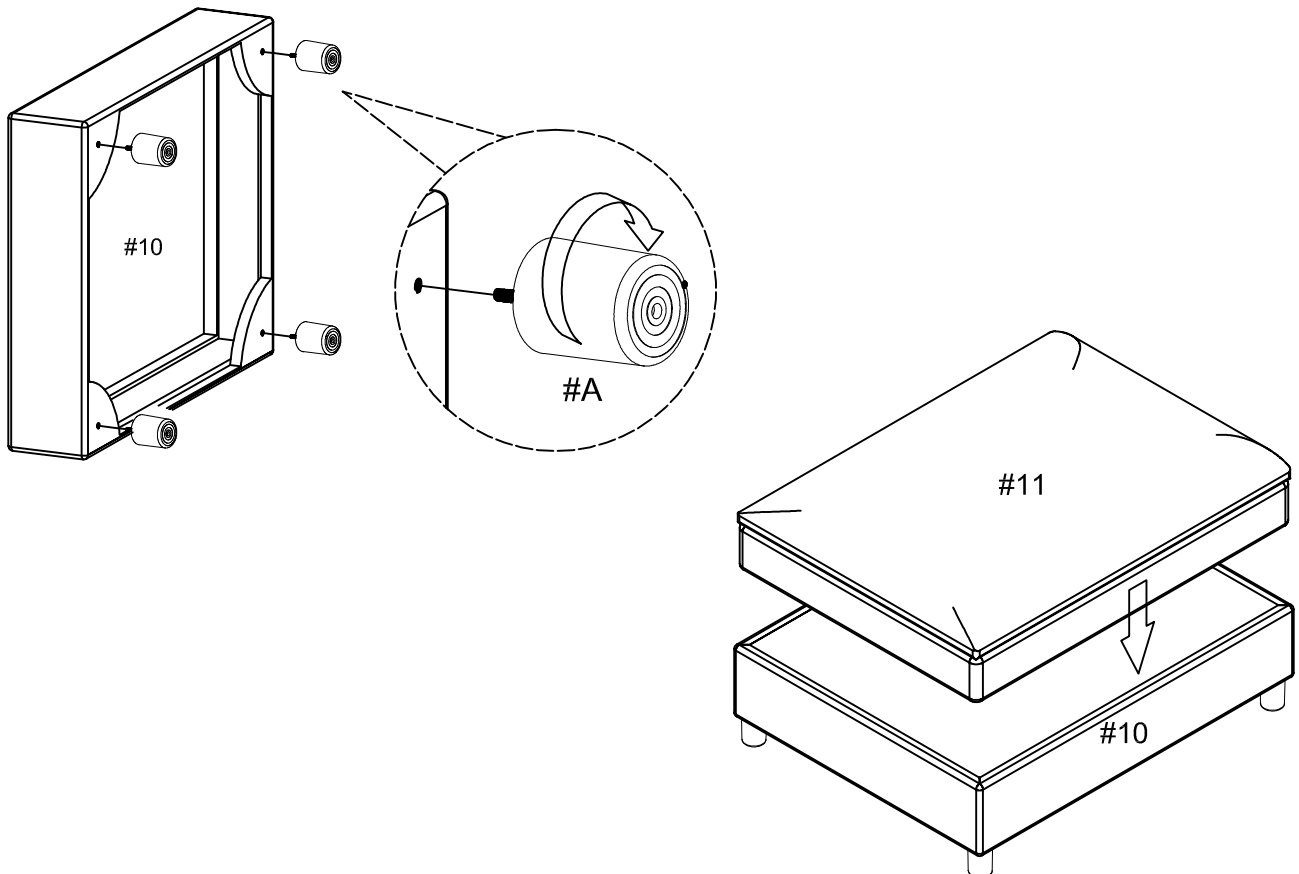
STEP 8:



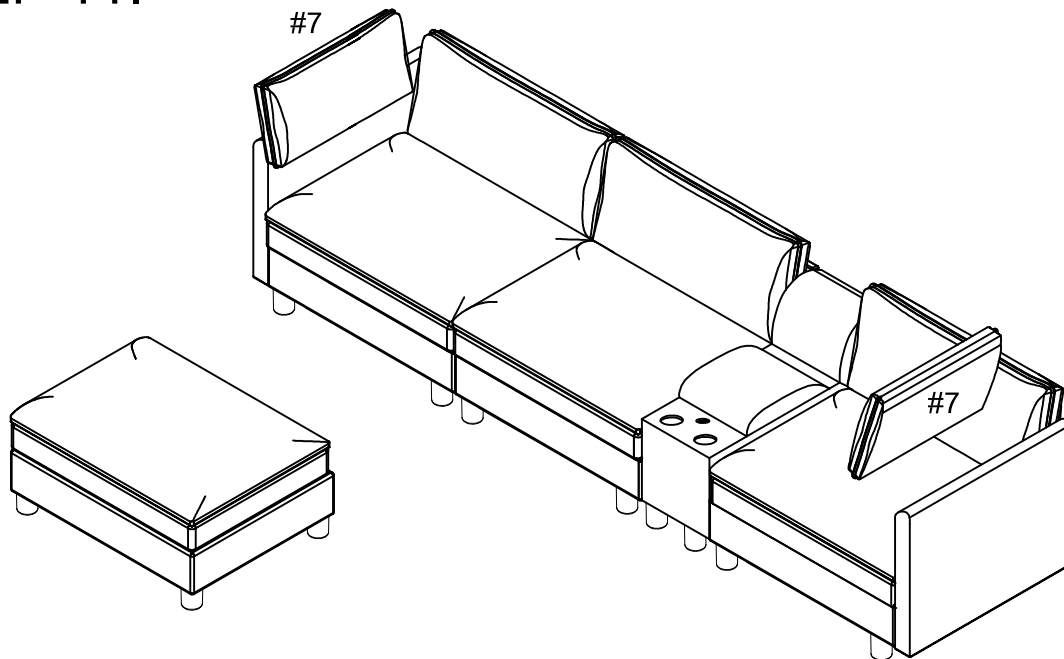
STEP 9:



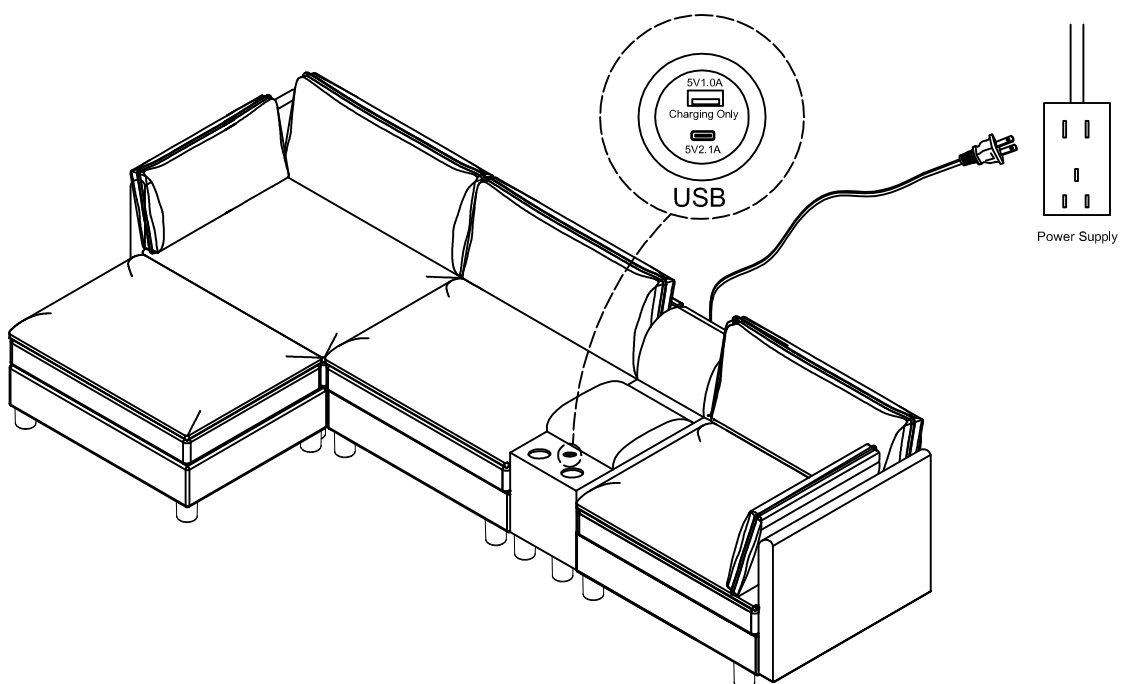
STEP 10:



STEP 11:



STEP 12:



The 4-person seat assembly is completed