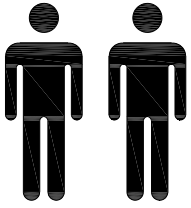


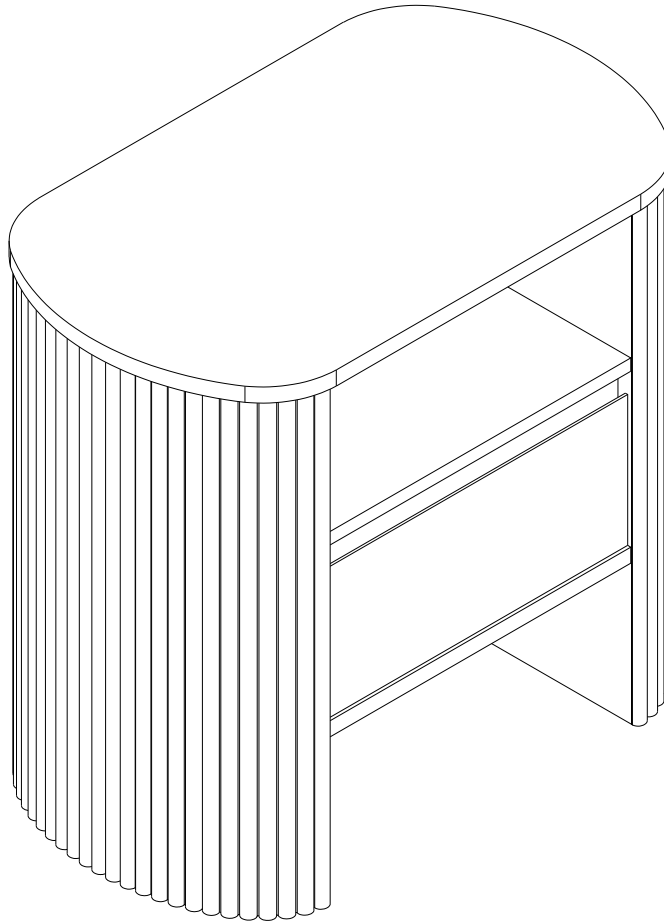
ASSEMBLY INSTRUCTION

If there are any questions during the assembly process.

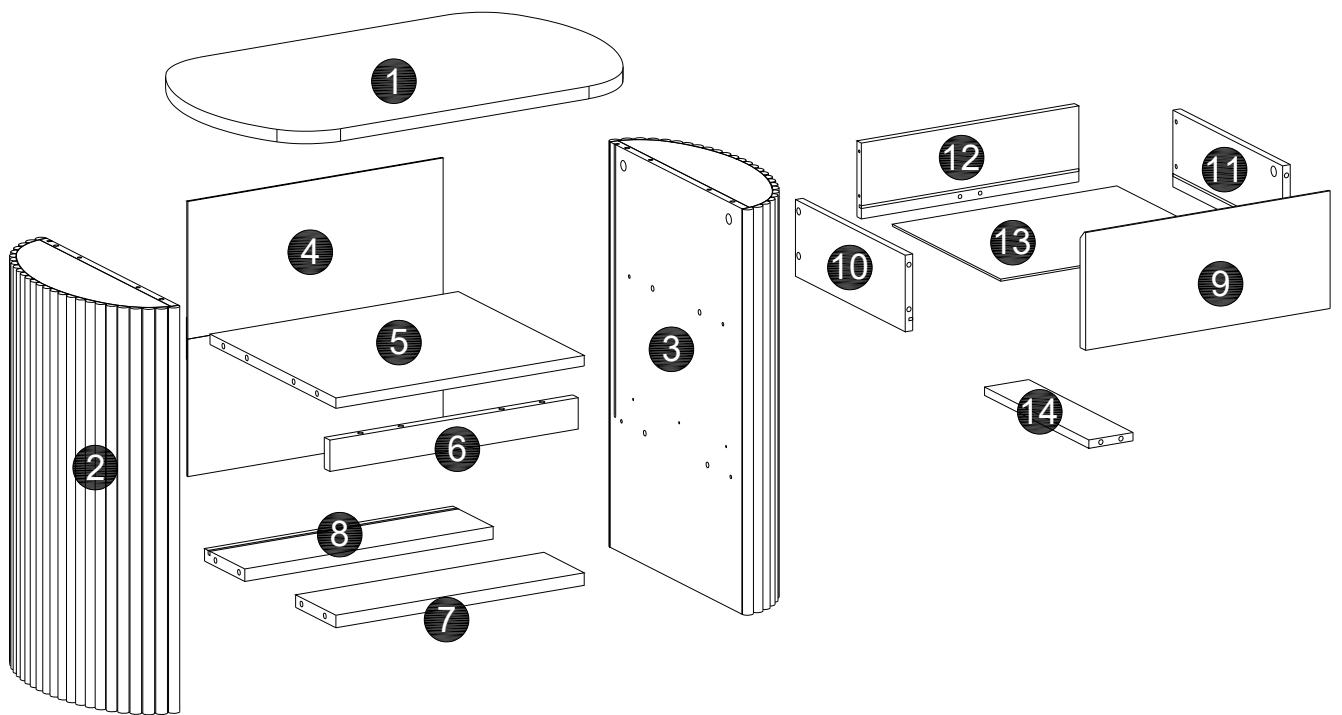
A video and description about the step you were stucked will help us to understand the problem quickly.



2 person required to
assemble this product

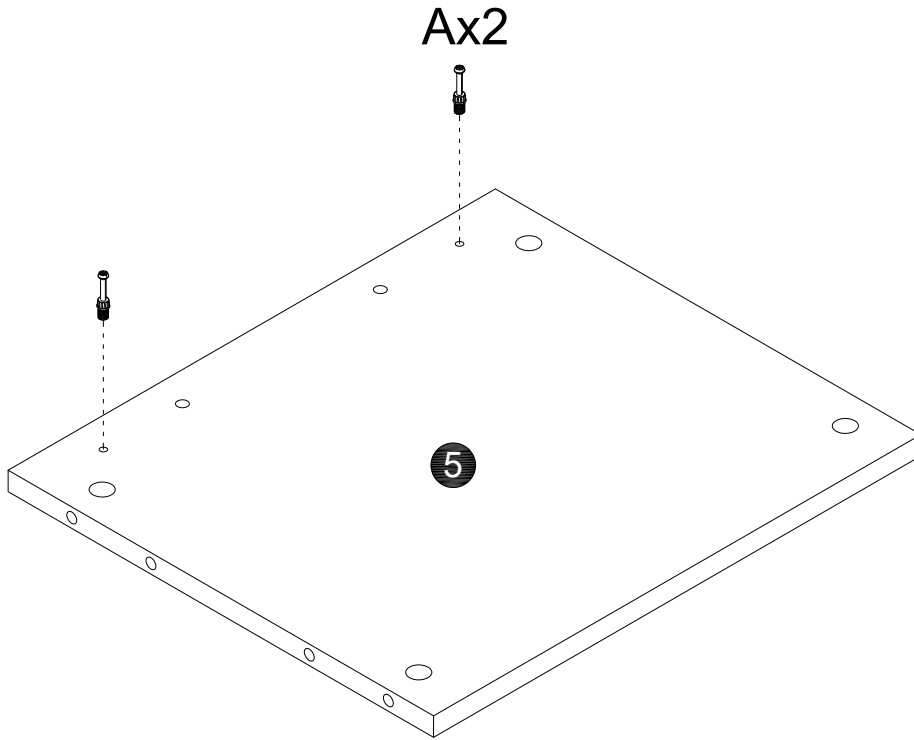


ASSEMBLY INSTRUCTION



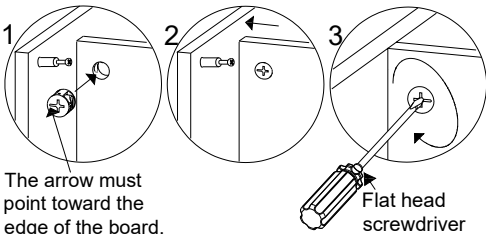
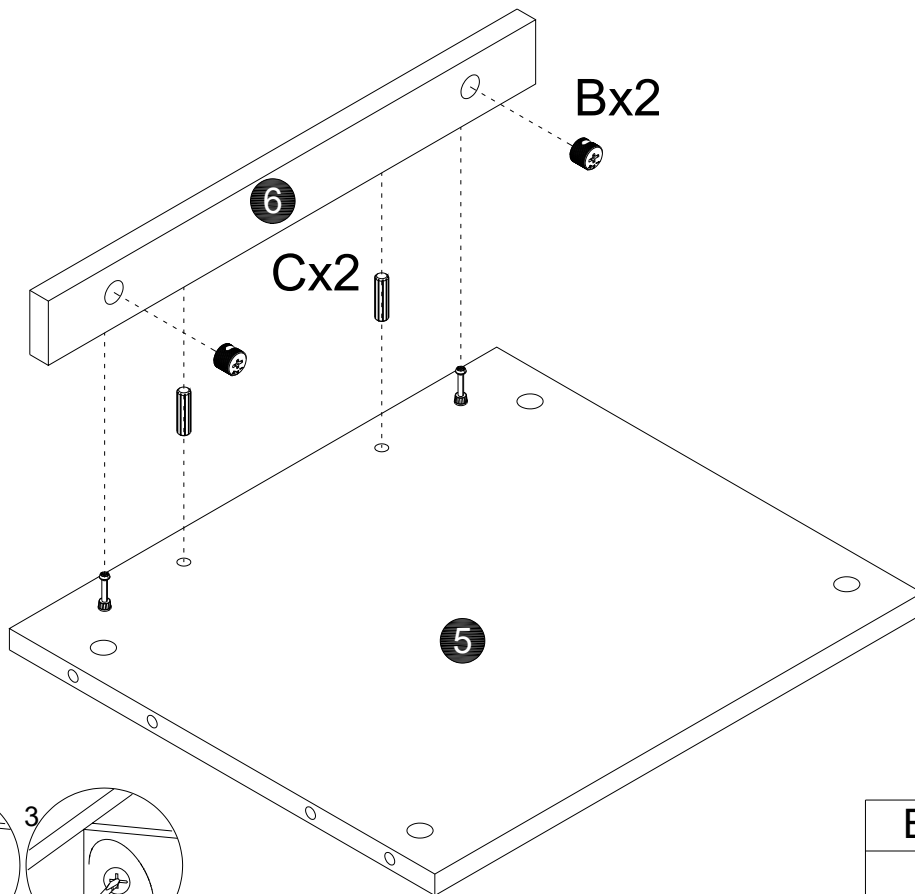
A	x20	B	x20	C	x10	D	x4	E	x4	F	x6	G	x4	H	x4	I	x1
M6x35mm	Ø15mm	Ø8x30mm	Ø6x30mm	Ø65x5mm	M5x38mm					M3.5x16mm							
J	x1	K	x1	L	x1	M	x12	N	x2								
					M3.5x12mm		Ø25										

1



A	x2
M6x35mm	

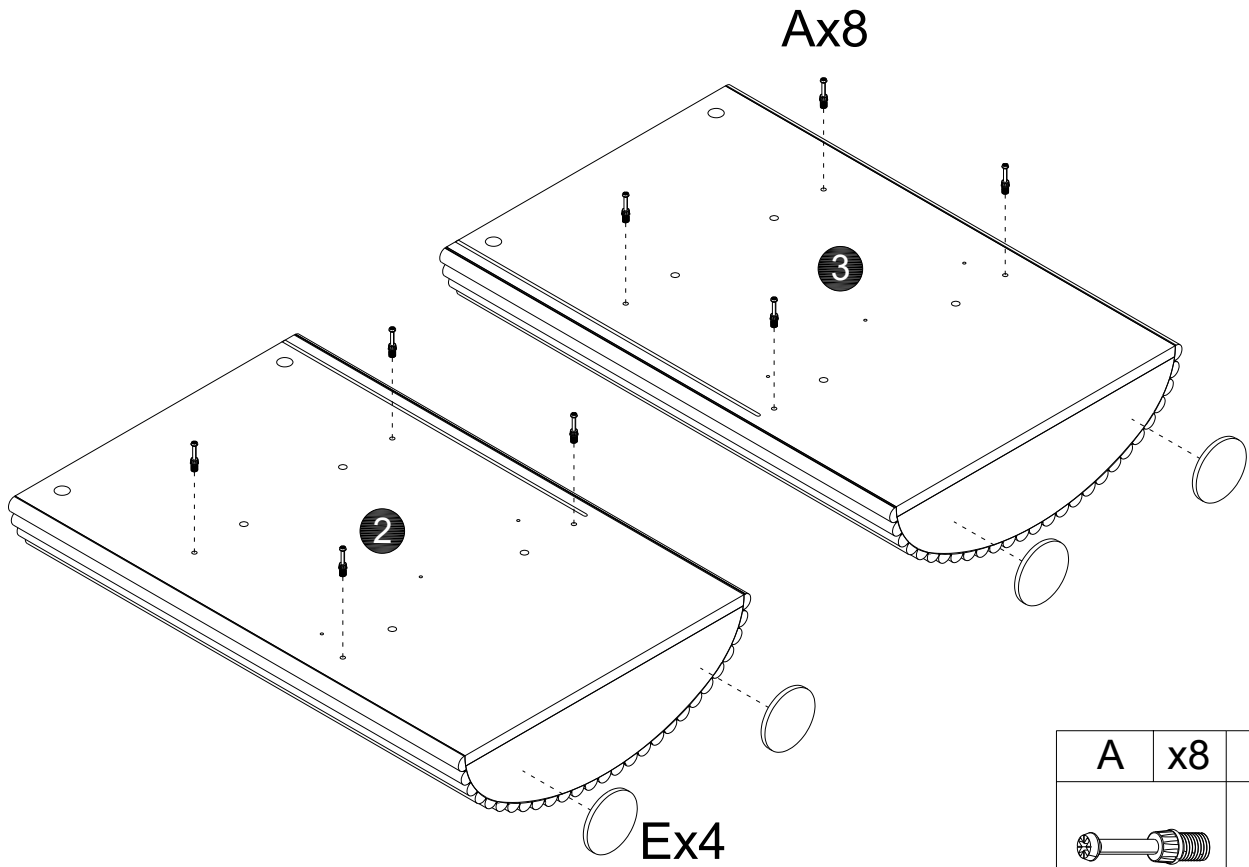
2

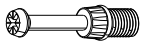
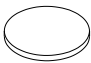


The arrow must point toward the edge of the board.

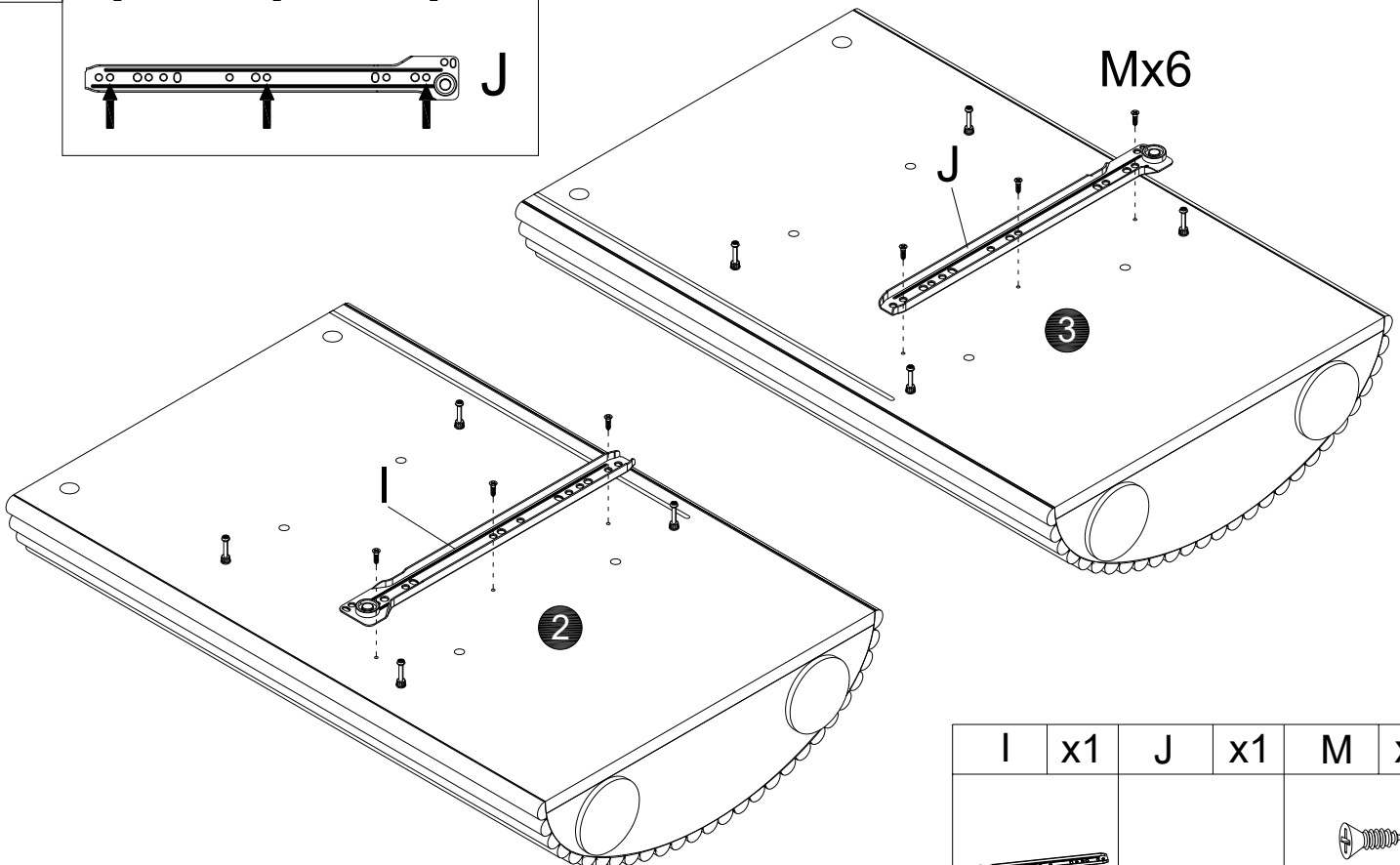
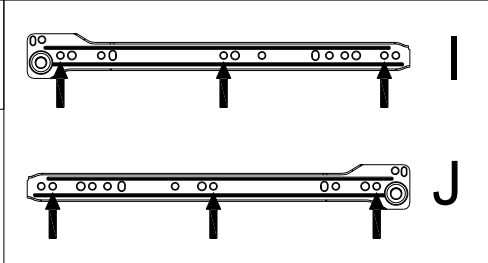
B	x2	C	x2
Ø15mm		Ø8x30mm	




3



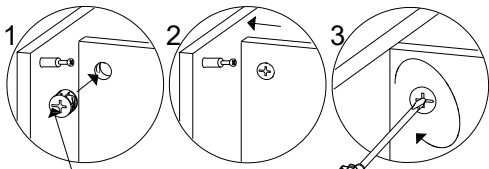
A	x8	E	x4
			
M6x35mm		Ø65x5mm	

4



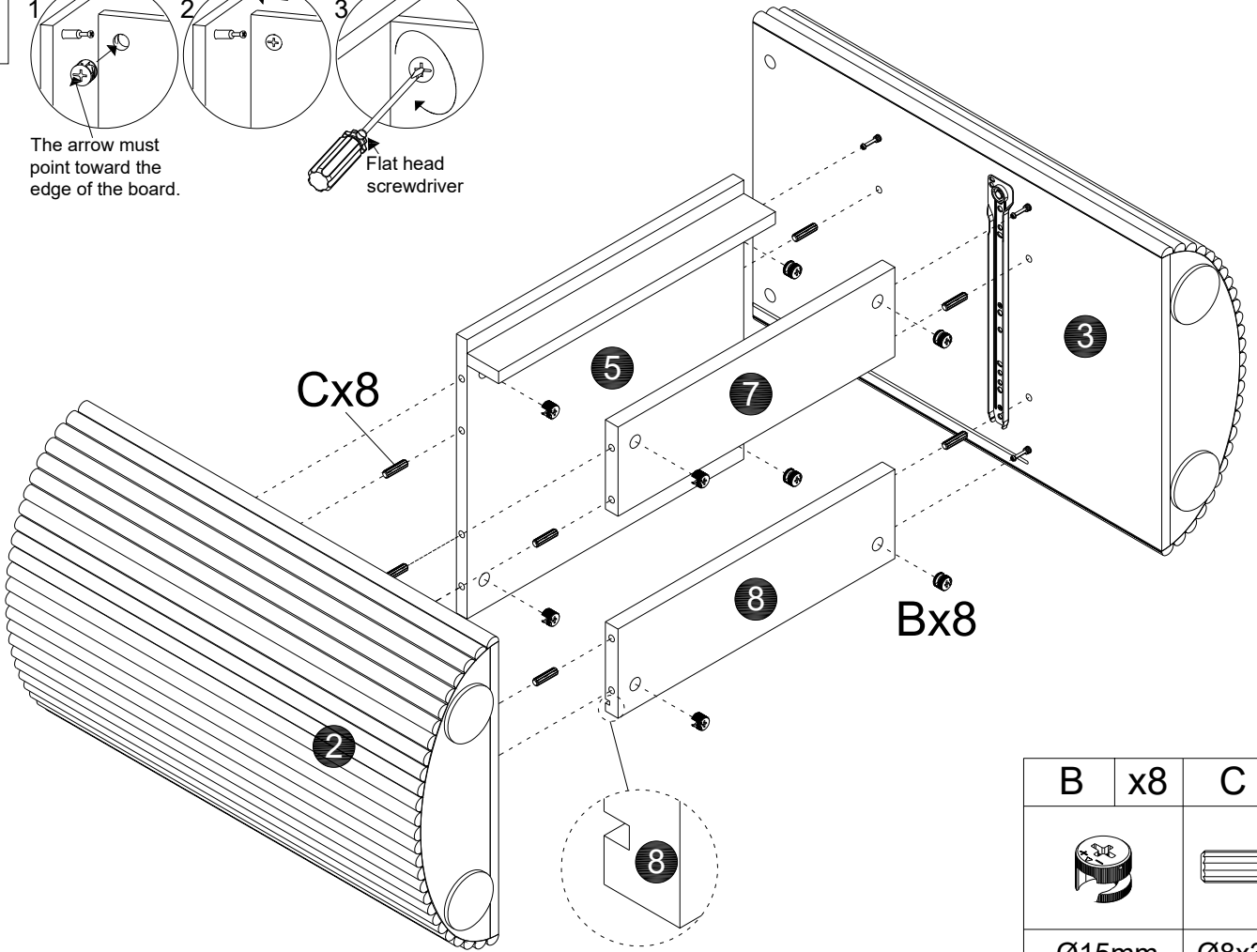
I	x1	J	x1	M	x6
					
M3.5x12mm					



5



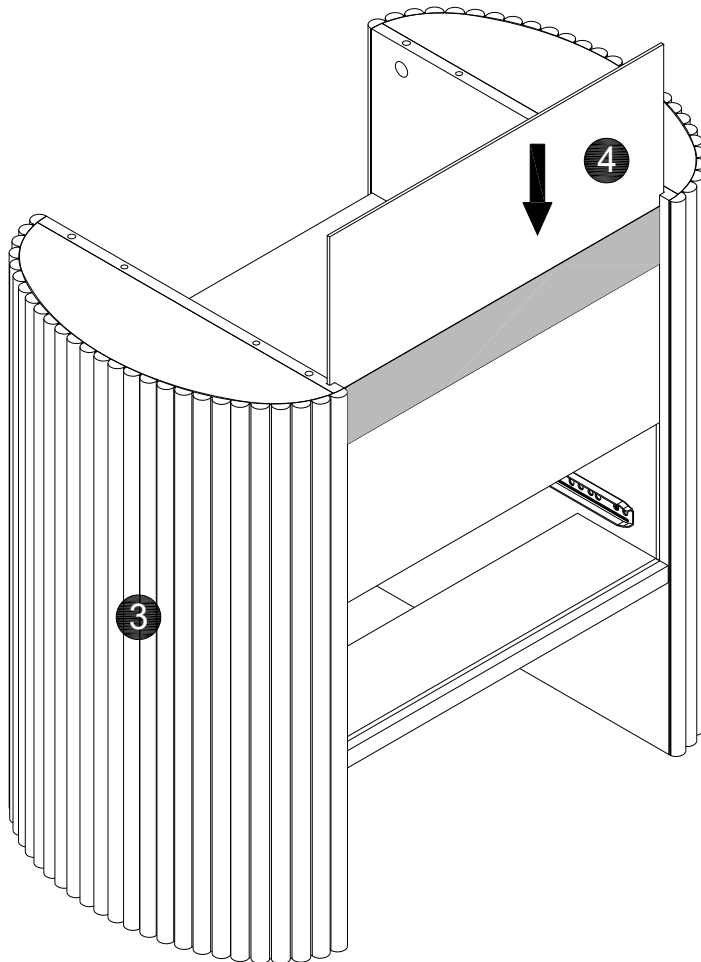
The arrow must point toward the edge of the board.

Flat head screwdriver

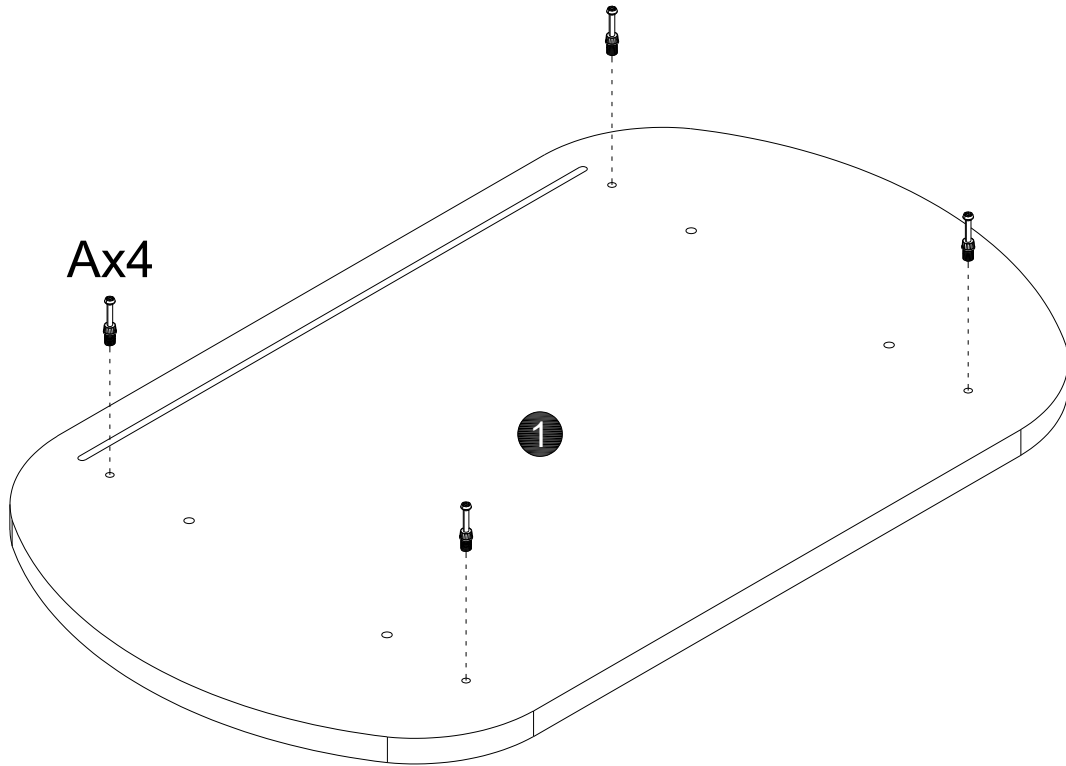



B	x8	C	x8
			
Ø15mm		Ø8x30mm	

6

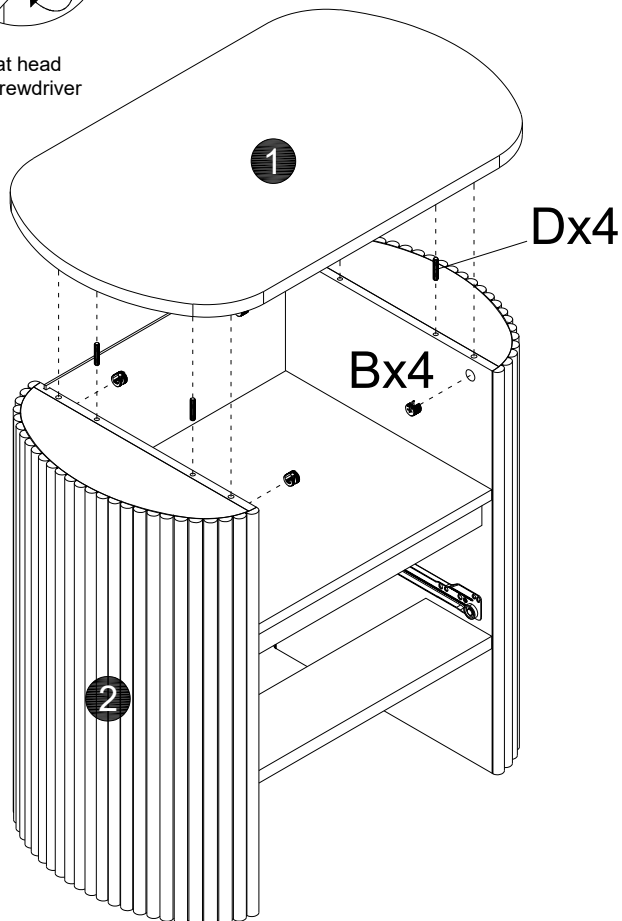
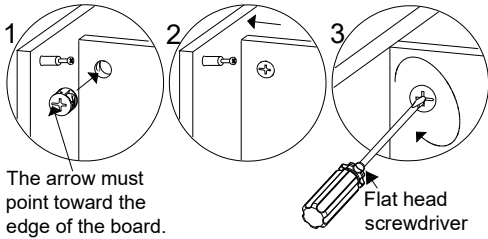




7



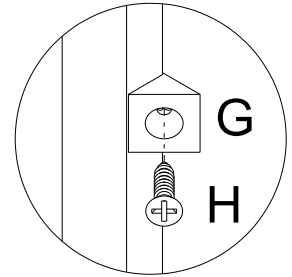
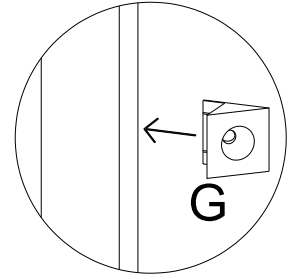
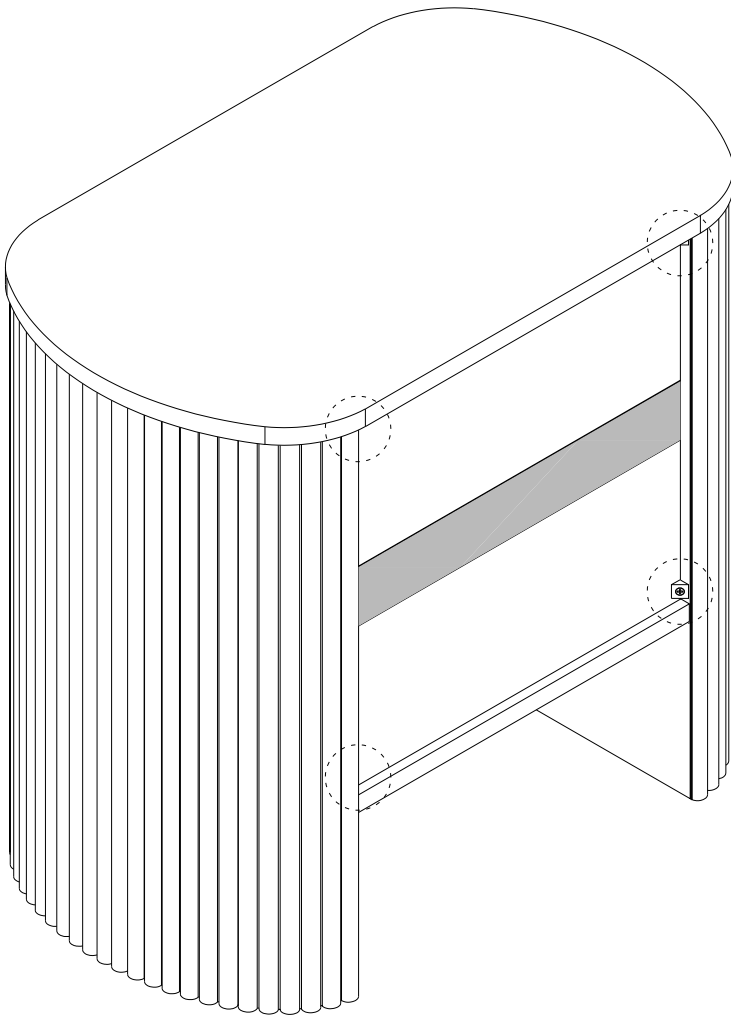
A	x4
	
M6x35mm	



8



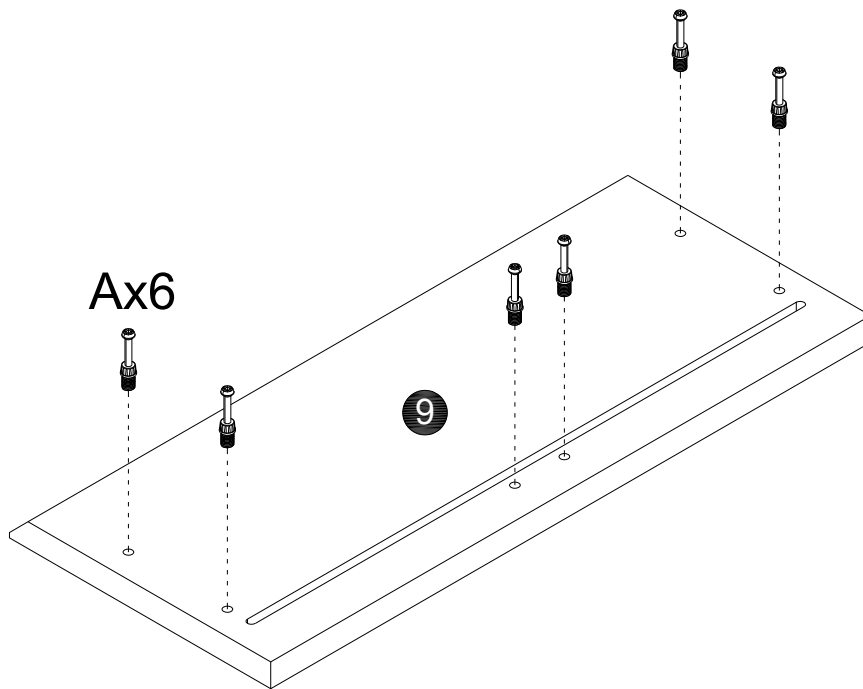
B	x4	D	x4
			
Ø15mm		Ø6x30mm	

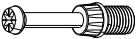
9



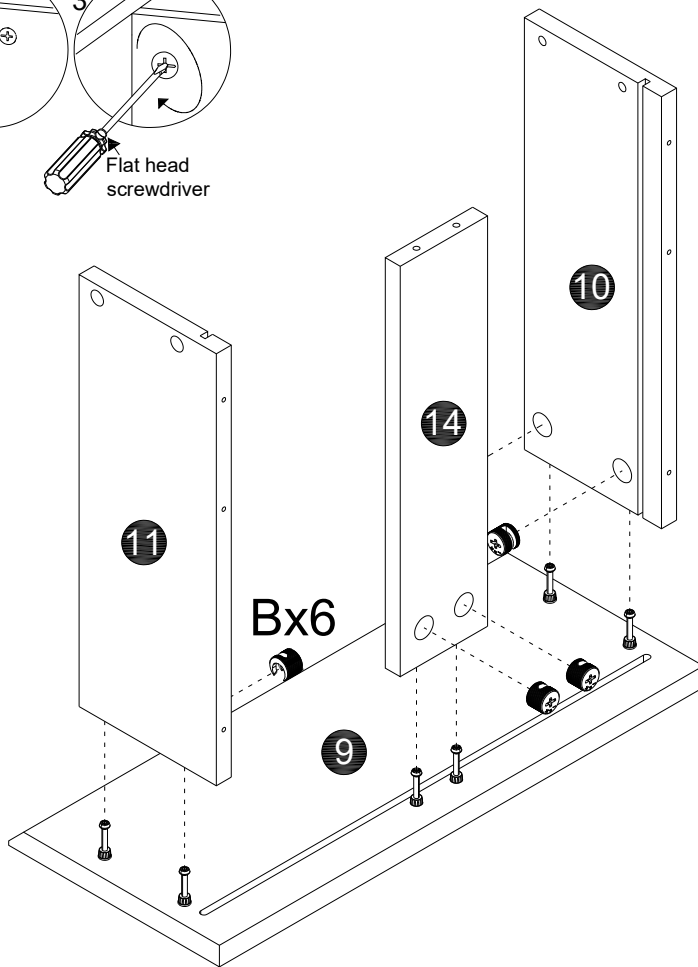
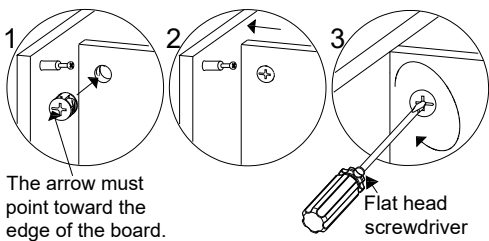
G	x4	H	x4
			
M3.5x16mm			

10



A	x6
	
M6x35mm	

11

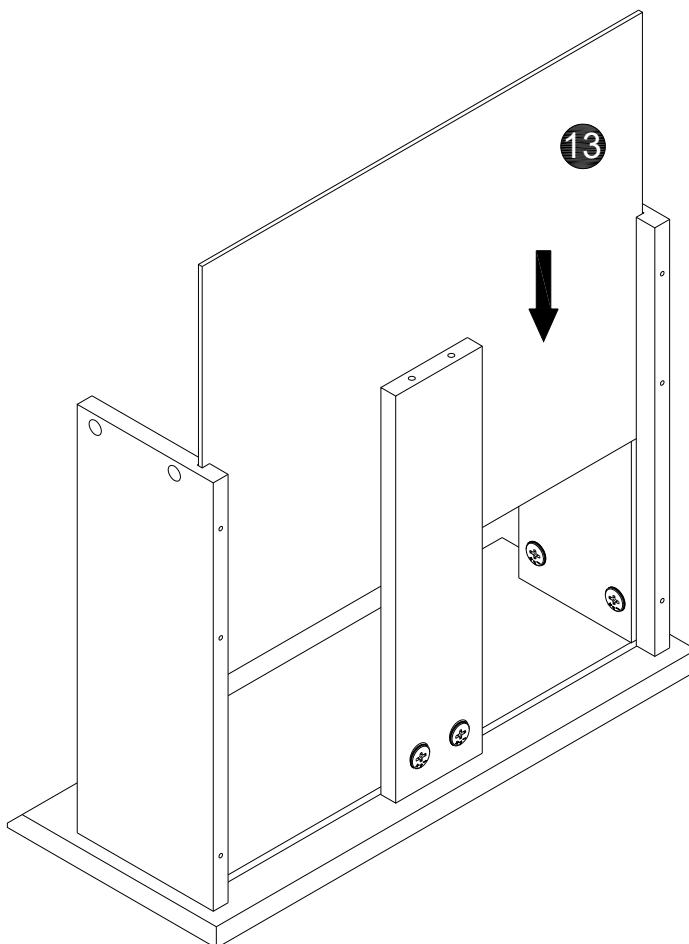


B x6

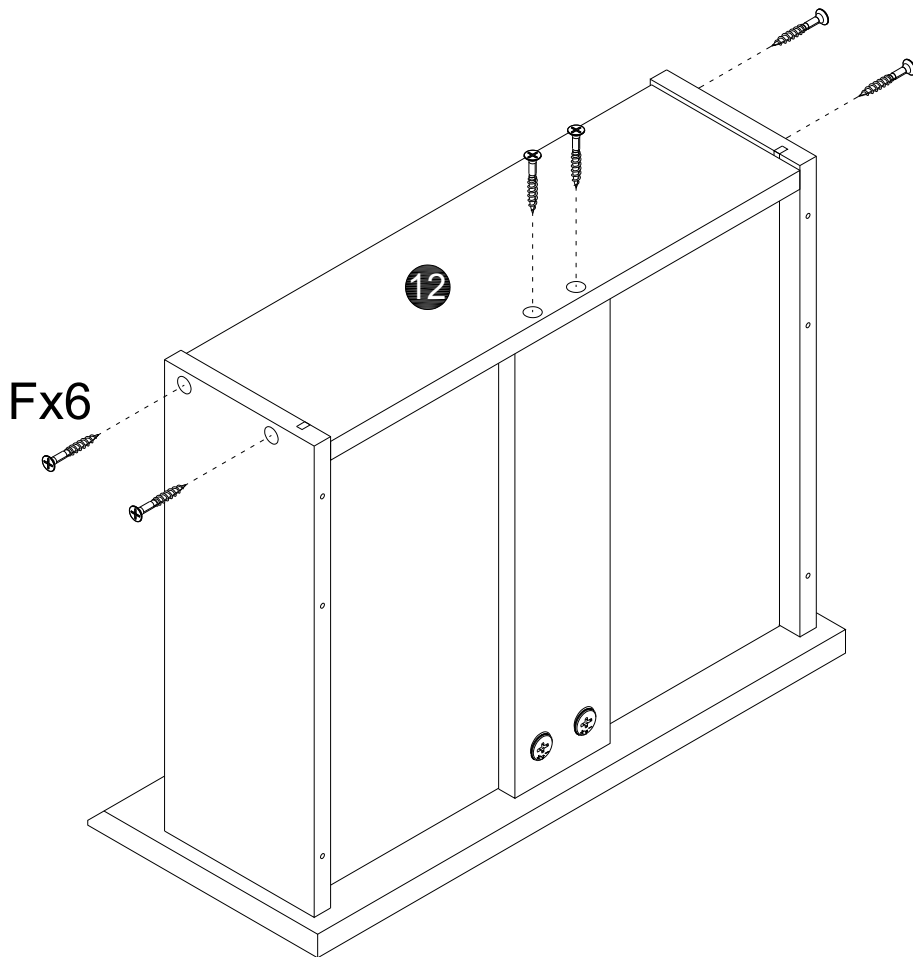


Ø15mm

12

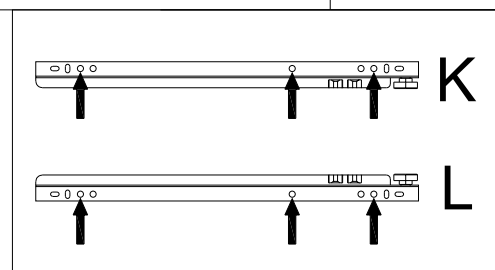
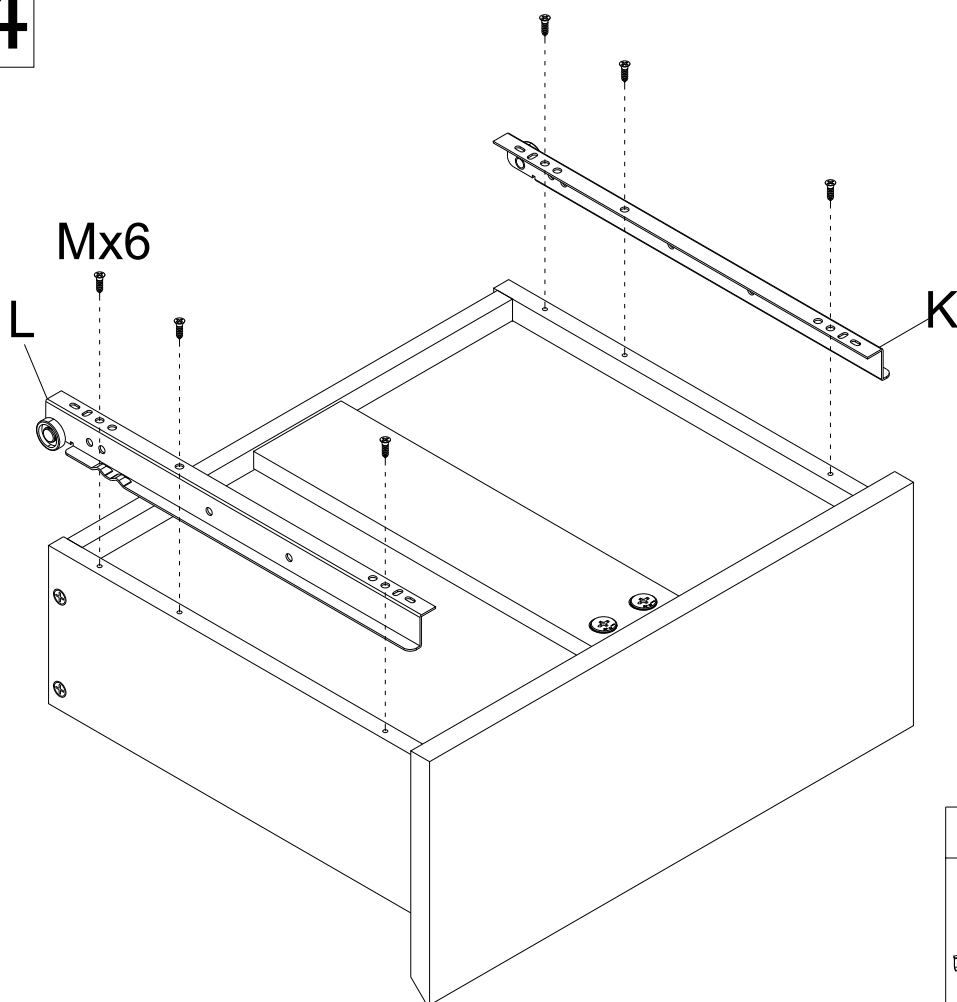


13



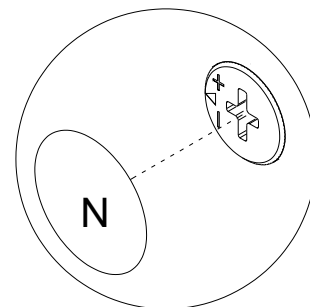
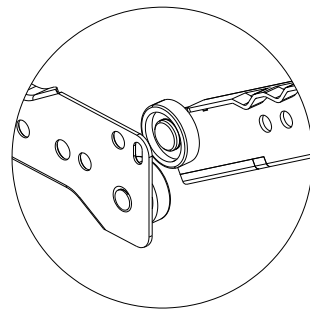
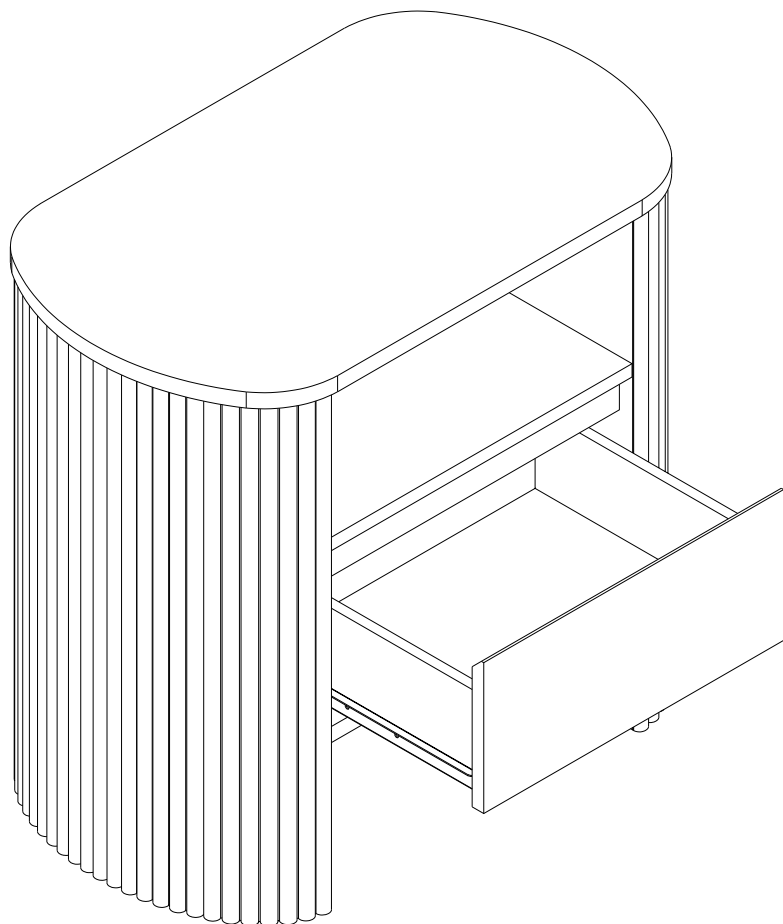
F	x6
M5x38mm	

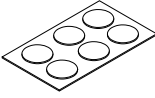
14



K	x1	L	x1	M	x6
M3.5x12mm					

15



N	x2
	
Ø25	

16

