

# ASSEMBLY INSTRUCTION

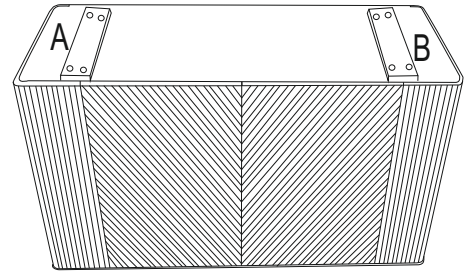
## SKU# 97518

**Before beginning**

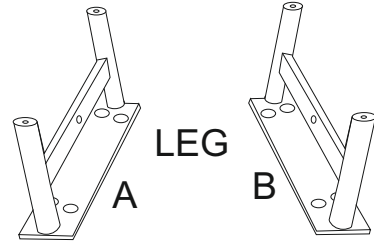
- Unpack all parts and hardware to ensure you have all needed components for assembly
- Read this guide cover before beginning assembly .
- Assemble this item on a soft surface such as carpet to protect finish.
- Proper assembly of this item requires 2 person & 20 minutes to assemble.

**CARE INSTRUCTIONS**

Wipe with a soft and dry cloth. To protect finish, avoid the use of chemicals and household cleaners. Any liquid in the table should be cleaned up immediately with a damp cloth.



**BOX**



**LEG**



**C**

**HOW TO ASSEMBLE**

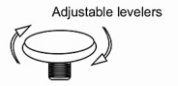
- STEP-1 match marking C with C respectively.
- STEP-2 Insert allen bolt G then tighten with allen key E.
- STEP-3 Place the cabinet upside on rug and match marking A with A and B with B respectively.
- STEP-4 Insert allen bolt F with spring washer I and flat washer H then tighten with allen key D.
- STEP-5 Turn the cabinet upside down, cabinet ready to use.

No.	Sketch	Description.	Size (IN)	Qty.	Ext.
D		ALLEN KEY	0.19"	1	0
E		ALLEN KEY	0.15"	1	0
F		ALLEN BOLT	0.31X1"	08	1
G		ALLEN BOLT	0.23X0.78"	02	1
H		WASHER	0.35X1"	08	1
I		SPRING WASHER	0.35X1"	08	1

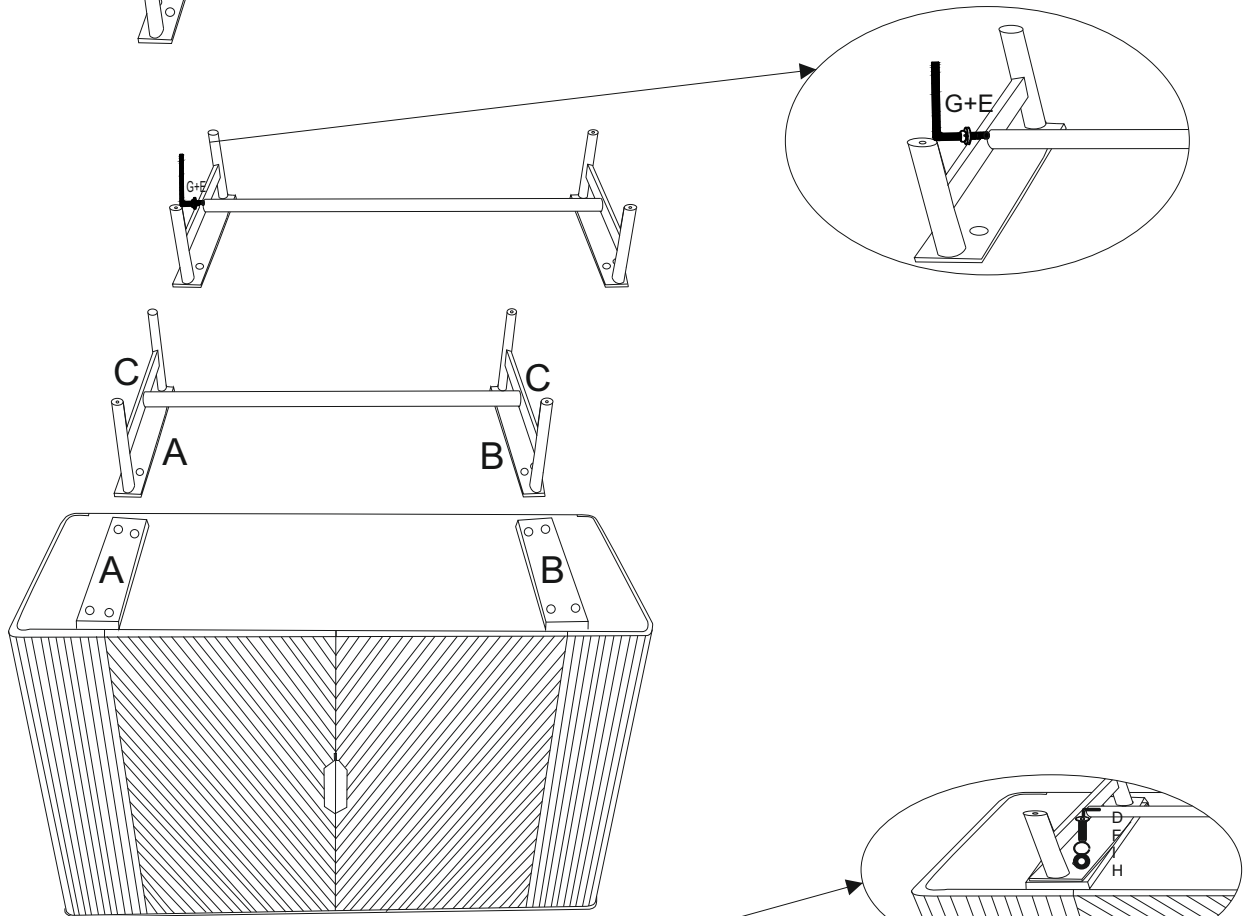
STEP- 1



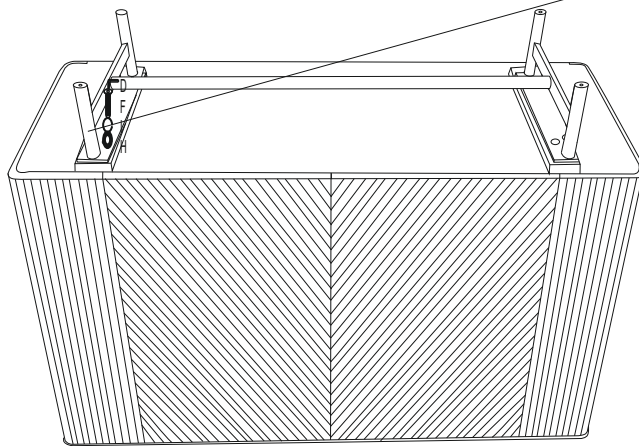
Tip for leveling of product:  
When the product rests on an uneven floor surface  
it will appear to be unbalanced. To aid in leveling, try  
adjusting the levelers on the bottom of each foot.



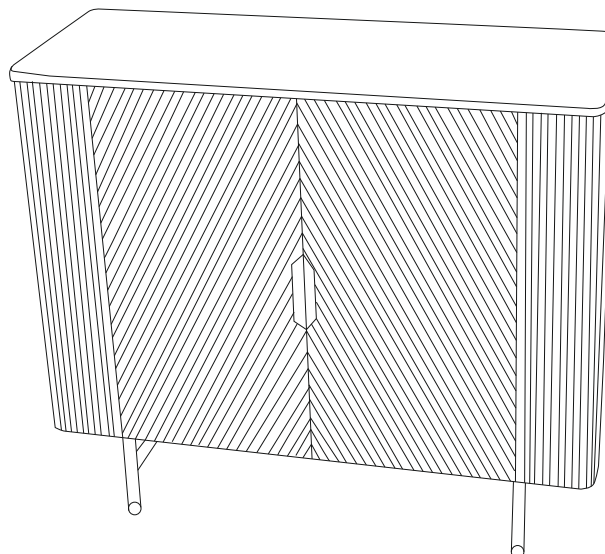
STEP- 2



STEP- 4



STEP- 5



FINAL