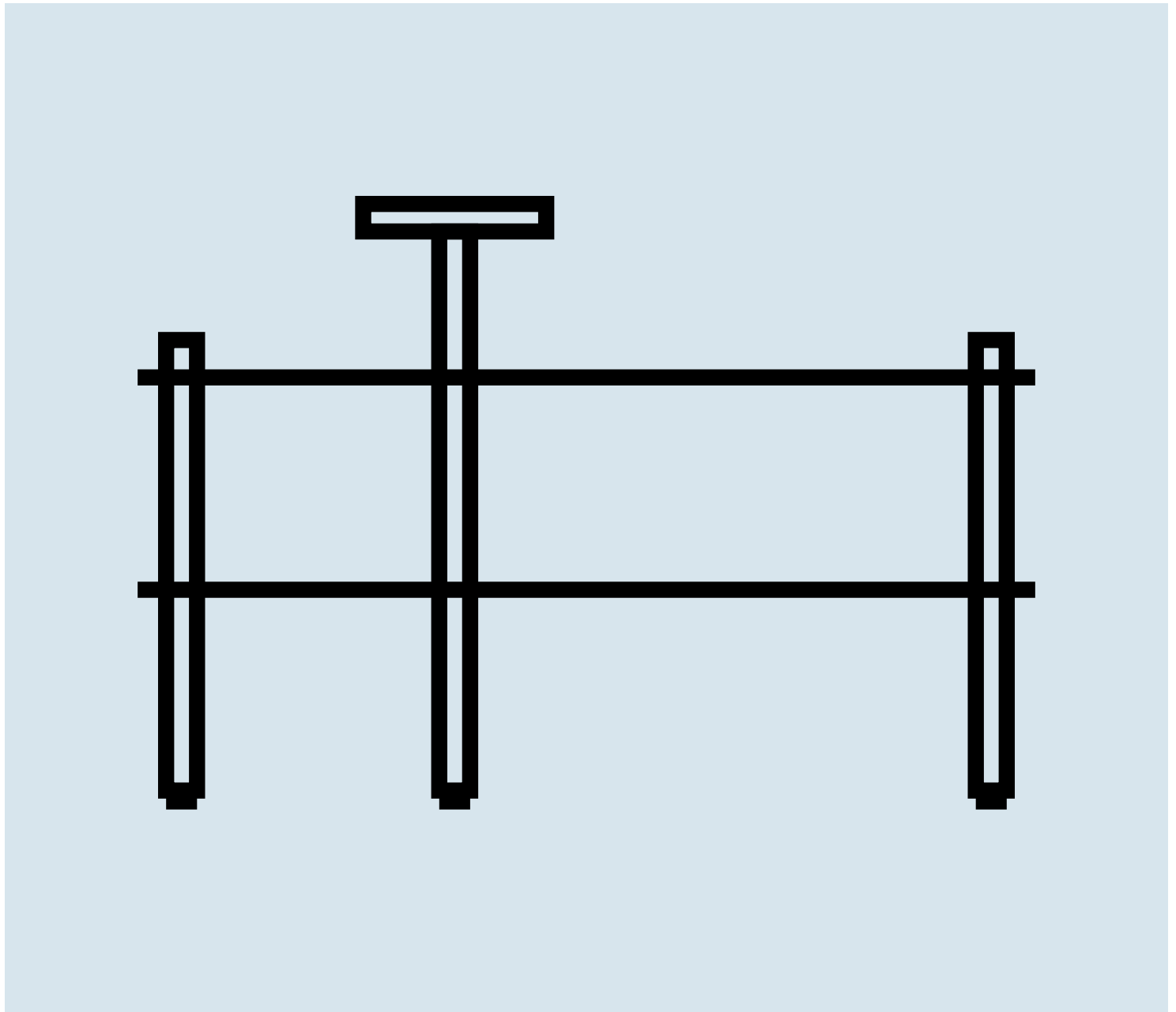
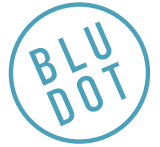


Shoegaze Shoe Rack

DESIGNED IN 2025

REV 01



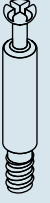


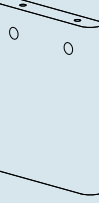
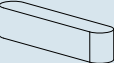
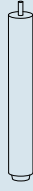



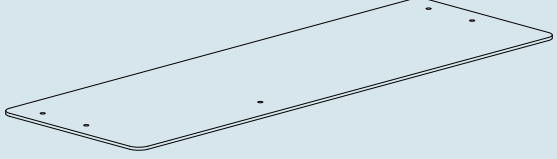
NEED A HAND?

Contact us at service@bludot.com or **844.425.8368** for assistance.

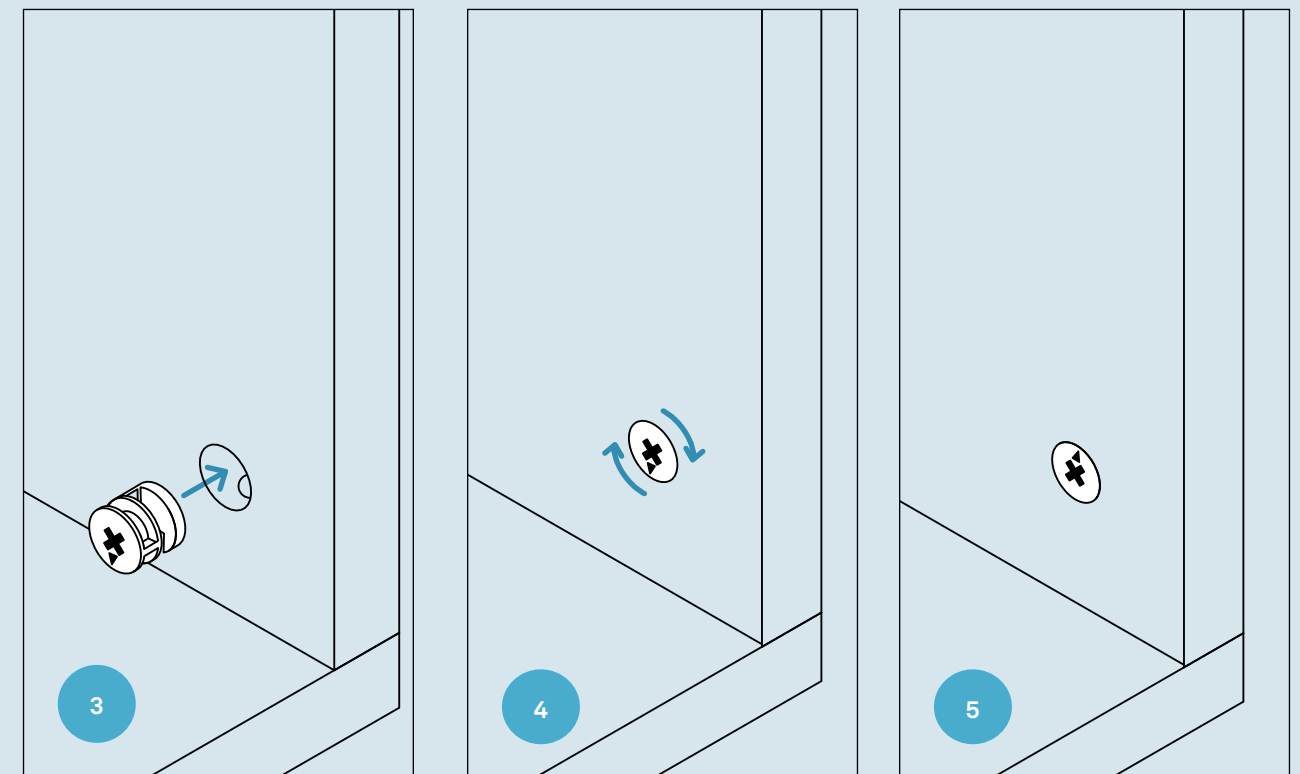
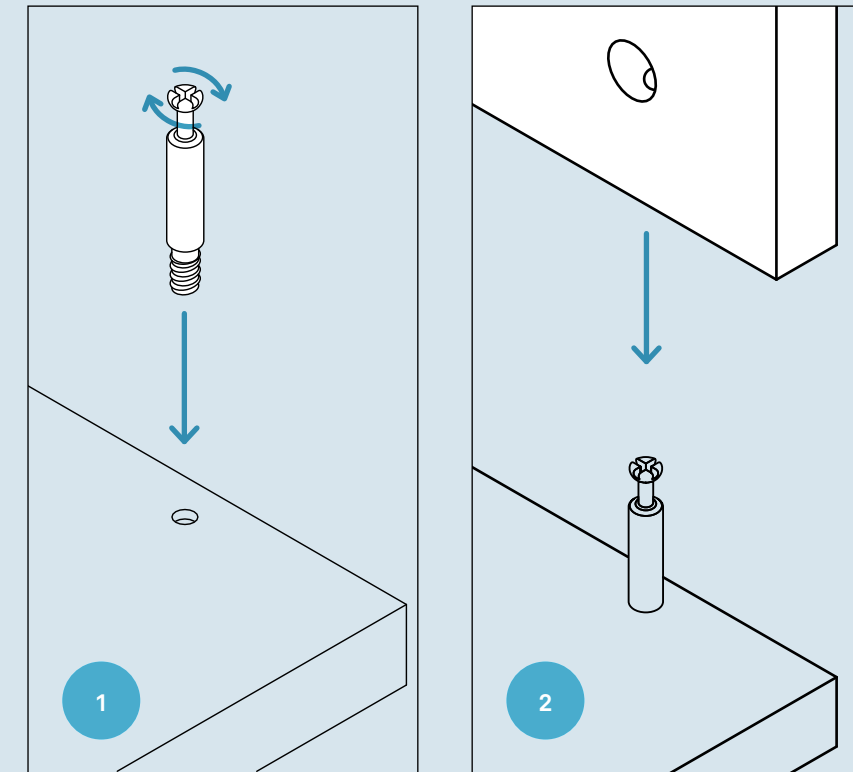
@BLUDOT

We design all our pieces in our Minneapolis studio. Follow along on Instagram for some sneak peeks into the process.

Parts & Hardware

			
QTY 8	QTY 8	QTY 2	QTY 2
Cam bolt	Cam	Bottom leg	Middle leg
			
QTY 2	QTY 1	QTY 1	QTY 1
Leg cap	Bottom support	Middle support	Pedestal support
			
QTY 1	QTY 2		
Pedestal tray	Shelf		

How to use the cam lock system



Note direction of cam arrow.

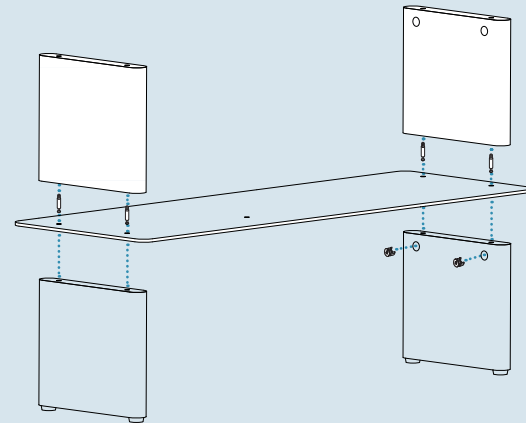
Turn cam clockwise 1/2 turn or until tight.

Note direction of cam arrow.

Step 01

BASE ASSEMBLY

Screw cam bolts into the middle legs. Stack the middle legs above the bottom shelf, then tighten the bottom leg cam locks to lock the base together.



Cam lock

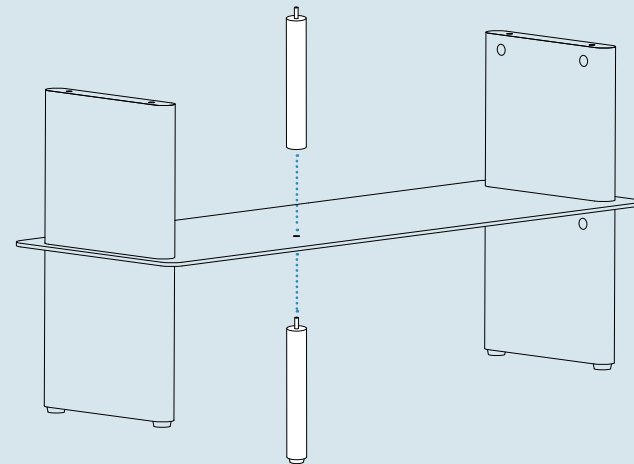


Cam bolt

Step 02

SUPPORT ASSEMBLY

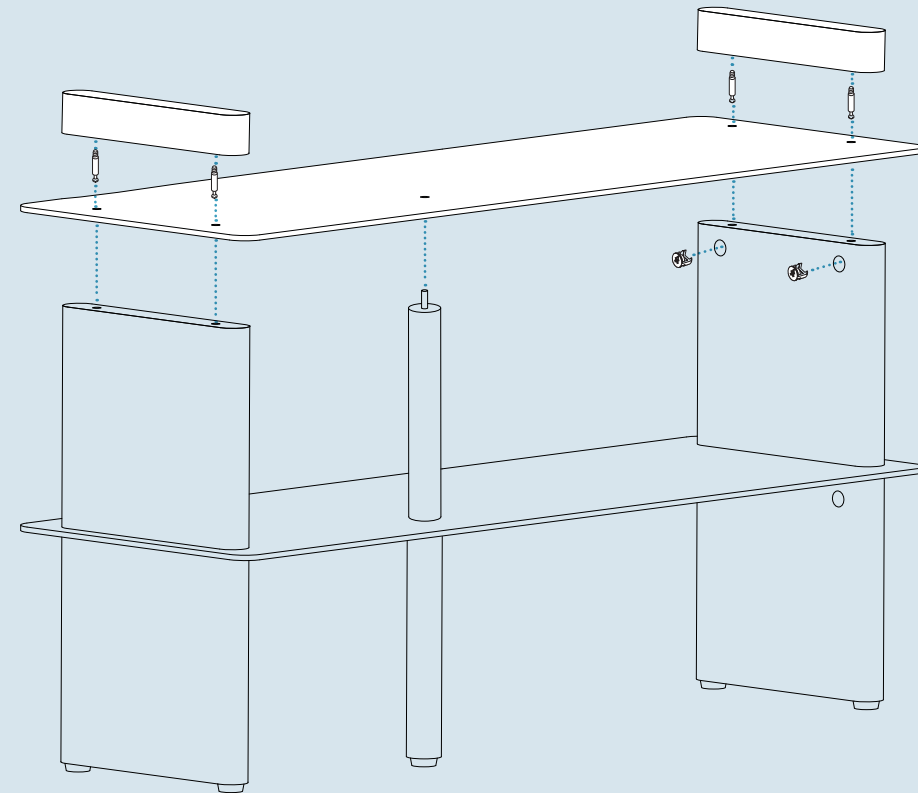
Thread the bottom support post through the bottom shelf and into the bottom of the middle support post.



Step 03

TOP SHELF ASSEMBLY

Thread cam bolts into the leg caps. Align the cam bolts with the holes in the middle legs, then tighten the cam locks.



Cam bolt

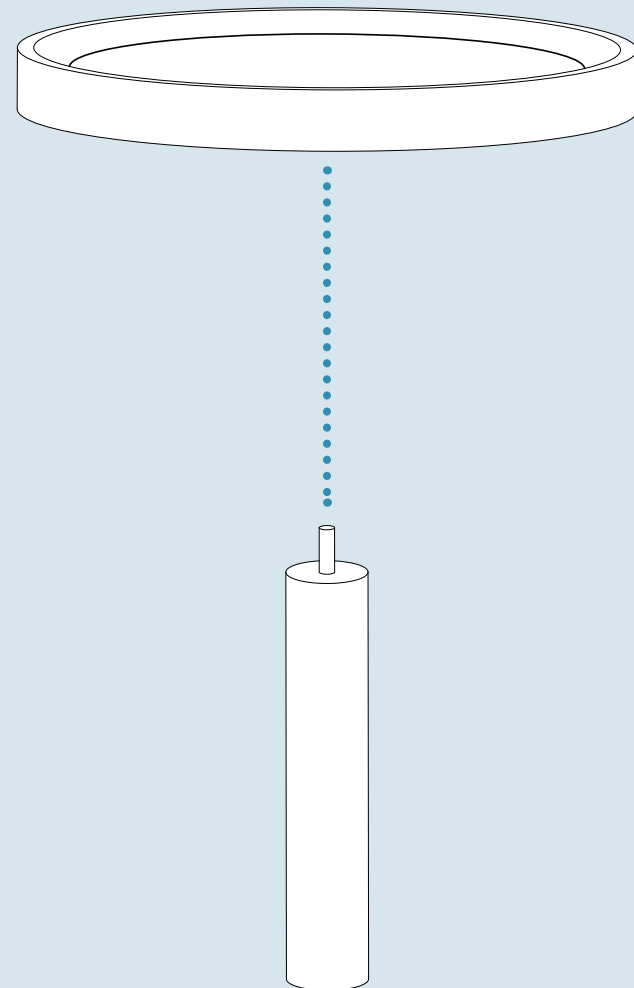


Cam lock

Step 04

PEDESTAL ASSEMBLY

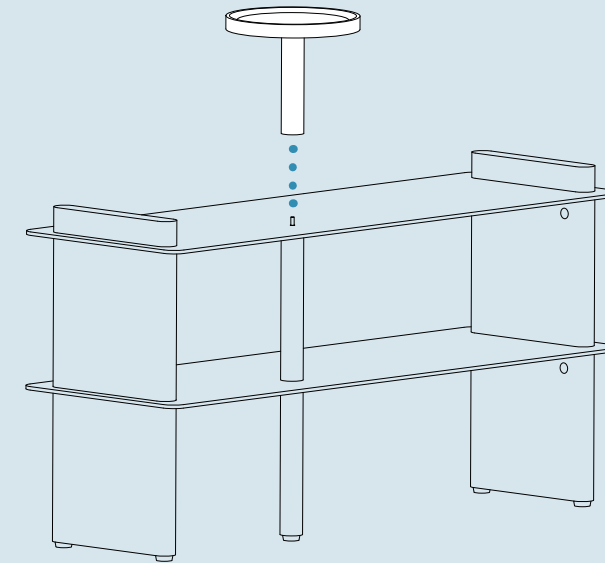
Thread the pedestal support into the base of the pedestal tray.



Step 05

FINAL ASSEMBLY

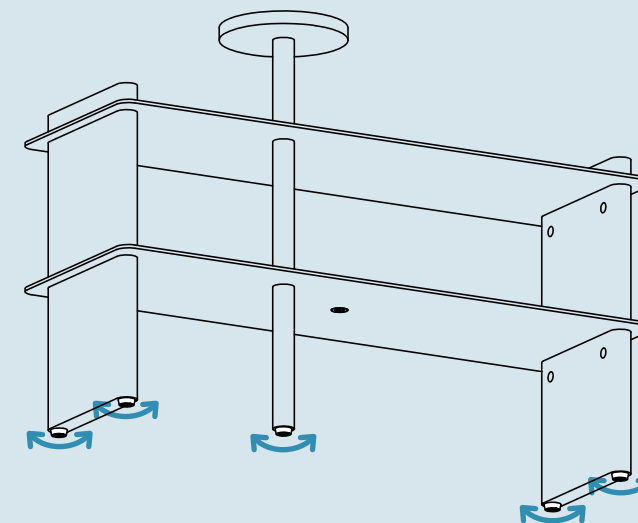
Thread the pedestal onto the middle support.



Step 06

GLIDE ADJUSTMENT

If necessary, level the shelves by twisting the adjustable glides.



Additional Information

CLEAN

Clean with a slightly damp, soft cloth. To remove dirt and fingerprints, use a quality cleaner formulated for wood furniture. Wipe completely dry with a soft cloth in the direction of the wood grain.

