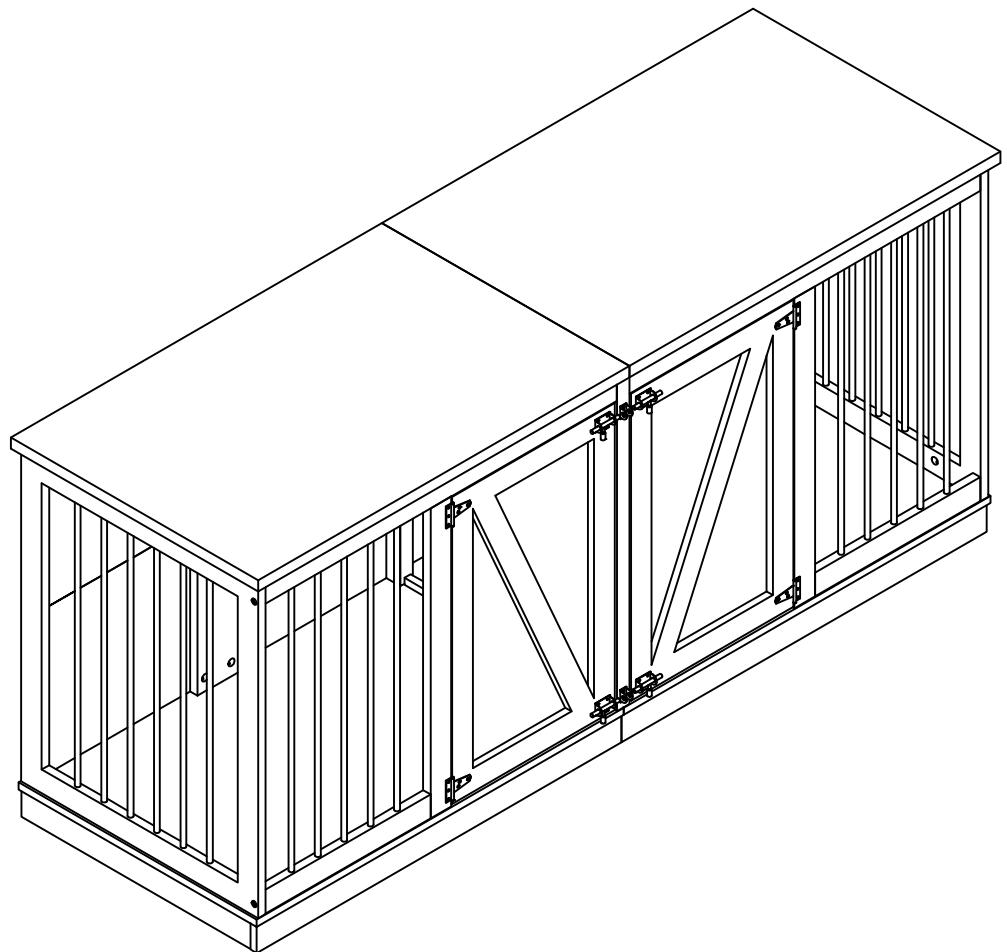


# MANUAL INSTRUCTION

SKU:C2403611N  
C2403615N





Please Read this manual  
carefully to ensure  
proper usage and keep  
for future reference

---

Ensure that all parts and  
hardware are available  
before beginning  
assembly

If you have any questions, please contact  
[CSTSERVICEASAP@OUTLOOK.COM](mailto:CSTSERVICEASAP@OUTLOOK.COM)

## NOTICE

1. Children are not allowed to operate.
2. Faster installation is possible with power tools, Please slow down or stop when the screw is tightened.
3. Do not pull the door vigorously to prevent the storage cabinet from tipping over.
4. Please attach the storage cabinet to the wall with an anti-tip device after installation is complete.
5. When placing the partitions, please make sure the nails are firmly installed to prevent the partitions from falling off.
6. Do not use this product in a manner inconsistent with the manufacturer's instructions as this may void the product warranty.
7. If accessories are missing, please contact customer service for communication in time, we provide 7x24 hours customer care.
8. Do not alter this equipment, Any alteration will create a safety hazard.
9. Any kind of screw is re tightened 3 weeks after assembly, and once every 3 months -in order to assure stability through-out the lifespan of the product.
10. Slides are labeled with an R (right) and L (left) for proper placement.

## WARNING

The product must be assembled by adult before use, Serious or fatal injury may occur from unexpected assembly or use.

1. During the assembly process, keep all parts away from babies or children.
2. Always securely fix this product to the wall. Make sure the wall area to be drilled is free from hidden electrical wires, water and gas pipes.
3. Use of tip-over restraints may only reduce, but not eliminate the risk of tip-over.
4. Unless specially designed to accommodate, do not set heavy objects on top of this product.
5. Place the heaviest items on the lowest shelf.
6. Never allow children to climb or bang on drawers, doors or shelves.

## IMPORTANT

Please wipe off the stagnant water in time to ensure the stability of the product.

# PART LIST



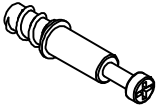

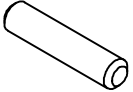



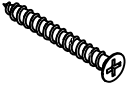
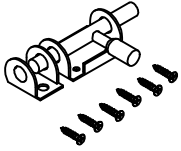
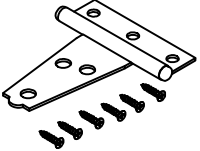

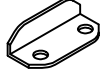
PHILLIPS  
SCREWDRIVER



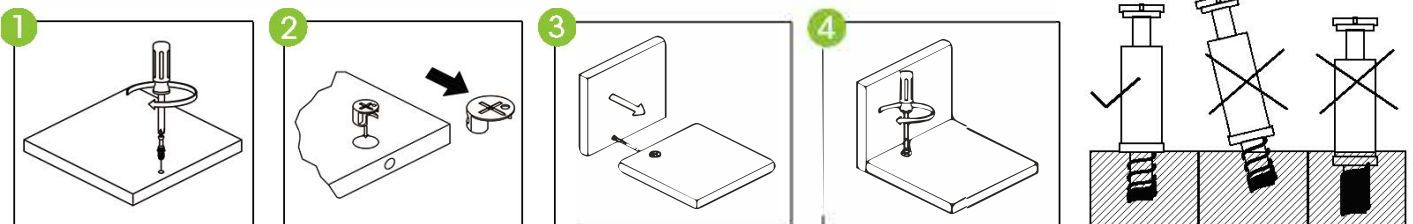
2 Persons Assembly



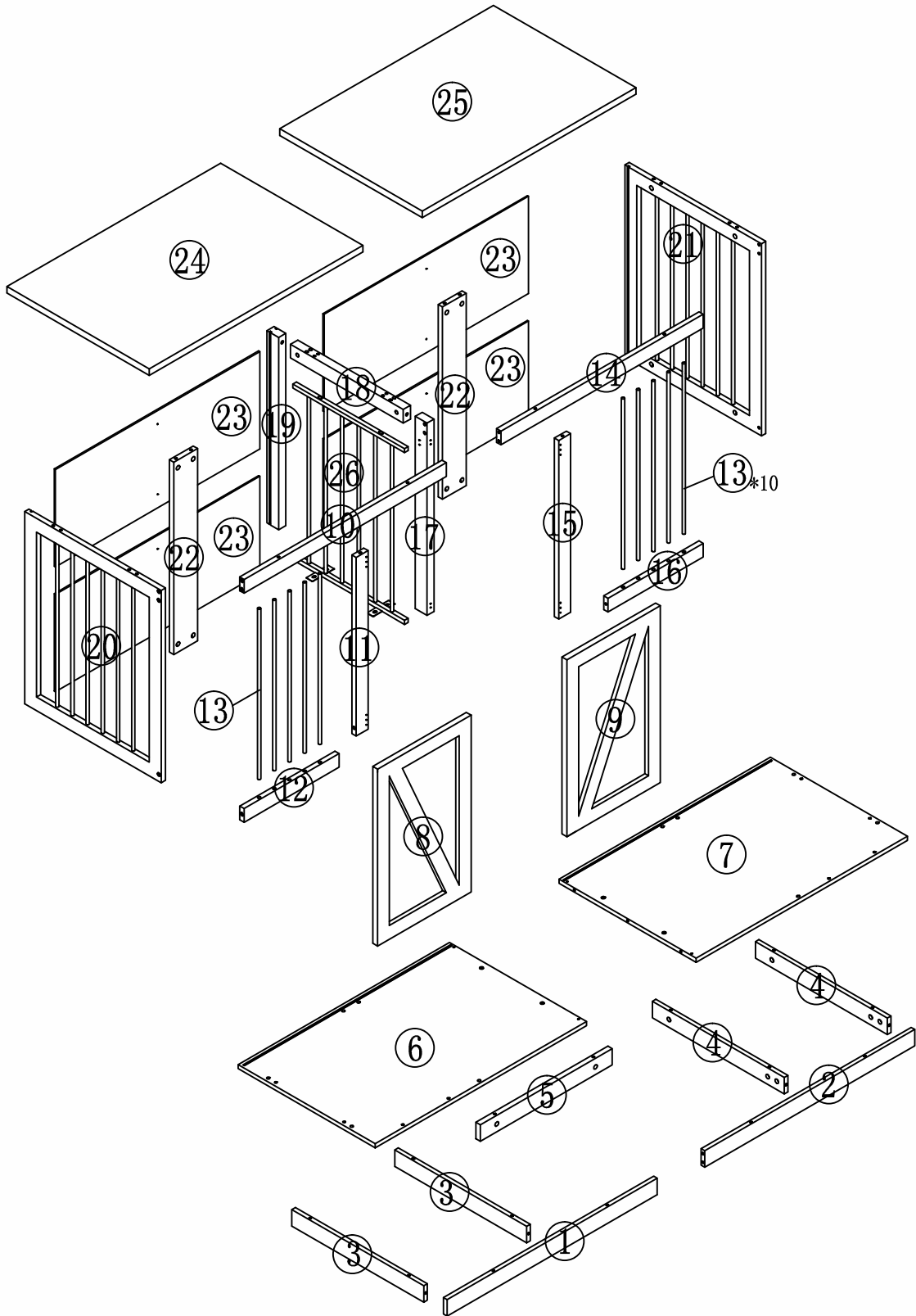
Minimum 120 Minutes For Assembly

<p>A</p>  <p><math>\phi 5 * 35 \text{mm}</math> <math>\times 54</math></p>	<p>B</p>  <p><math>\phi 15 * 11 \text{mm}</math> <math>\times 54</math></p>	<p>C</p>  <p><math>\phi 8 * 30 \text{mm}</math> <math>\times 21</math></p>
<p>D</p>  <p><math>3.5 * 14 \text{mm}</math> <math>\times 12</math></p>	<p>E</p>  <p><math>M6 * 10 \text{mm}</math> <math>\times 4</math></p>	<p>F</p>  <p><math>M6 * 35 \text{mm}</math> <math>\times 8</math></p>
<p>G</p>  <p><math>4 * 40 \text{mm}</math> <math>\times 4</math></p>	<p>H</p>  <p><math>\times 4</math></p>	<p>J</p>  <p><math>\times 4</math></p>
<p>K</p>  <p><math>\times 54</math></p>	<p>M</p>  <p><math>\times 2</math></p>	

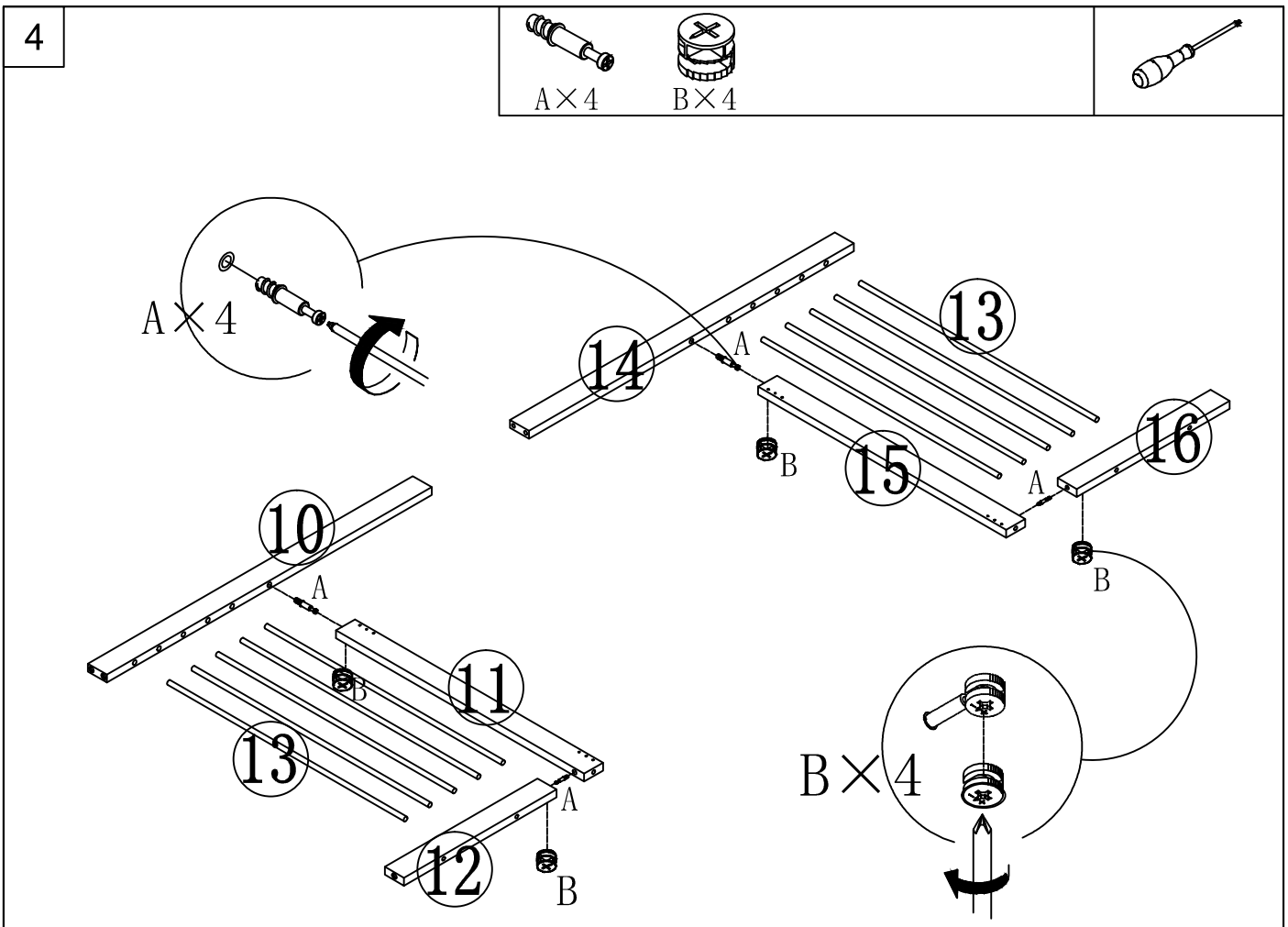
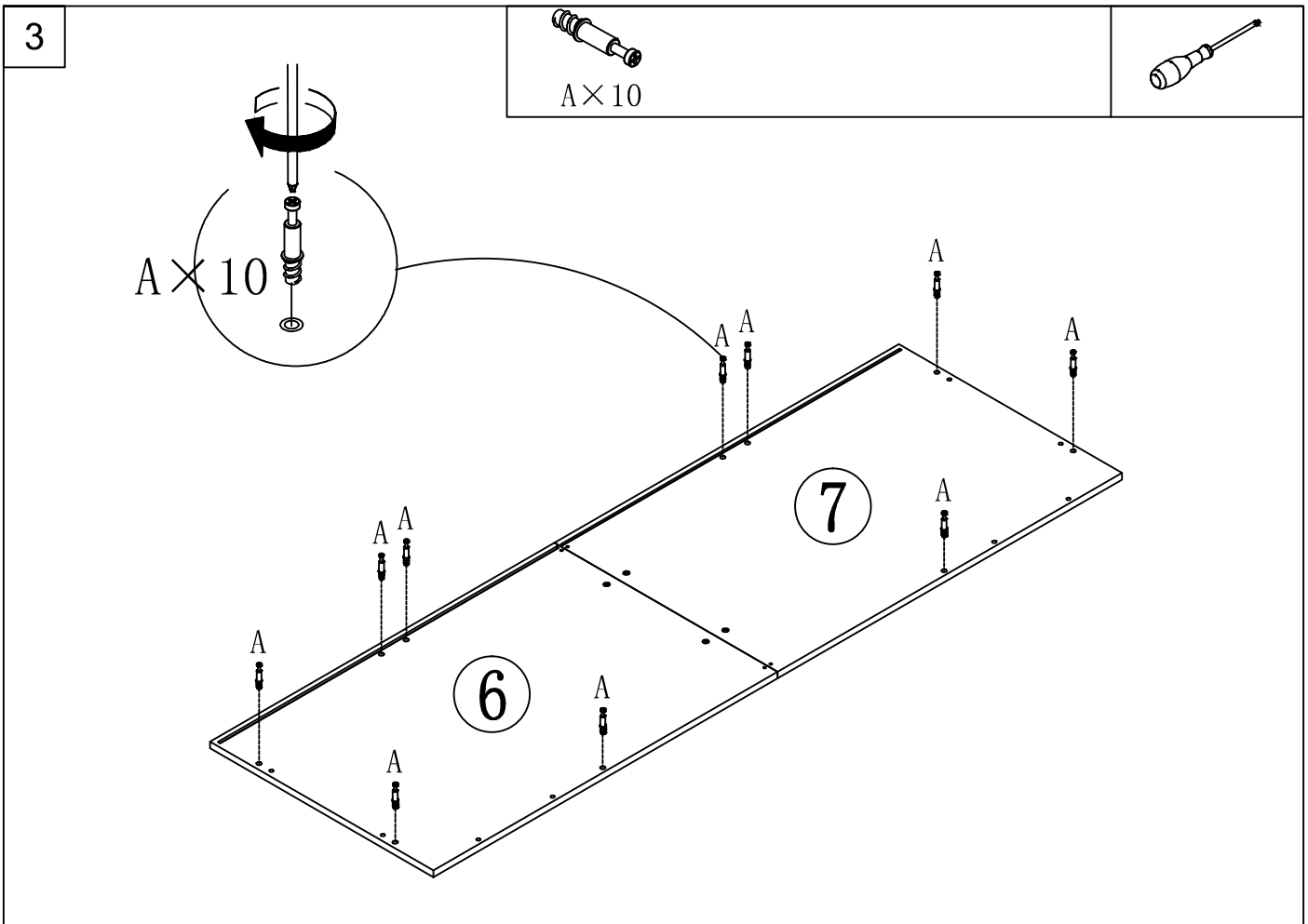
## CAM LOCK FASTENING SYSTEM



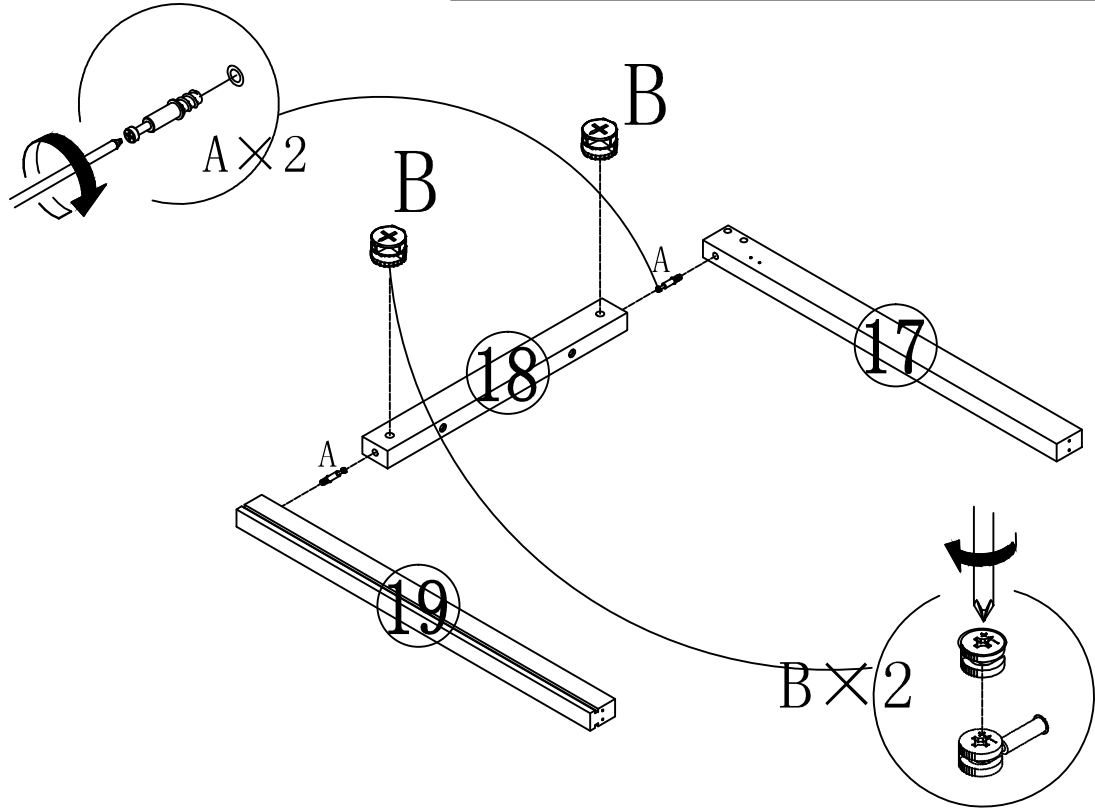
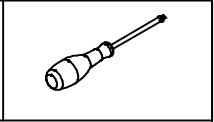
# BOARD IDENTIFICATION



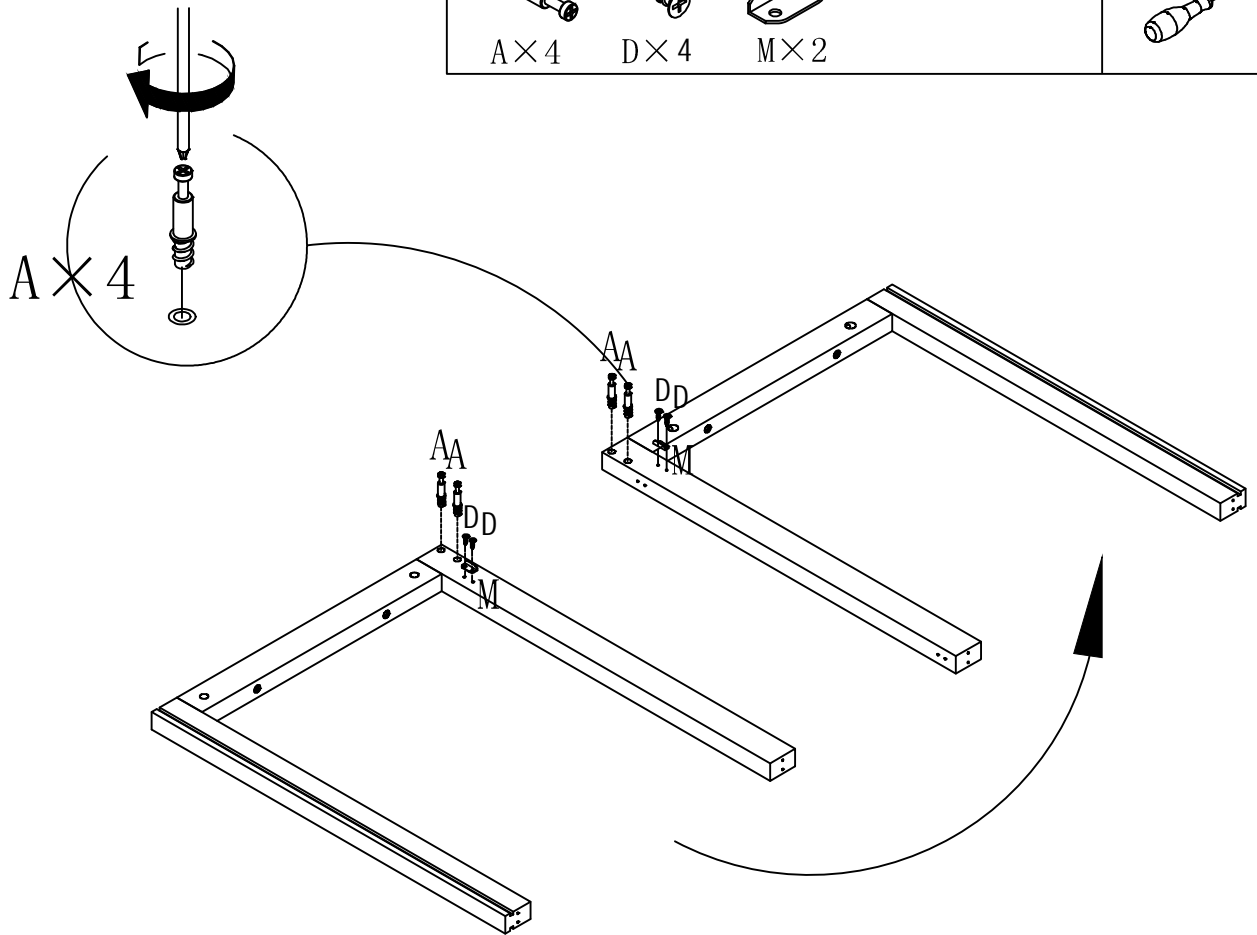
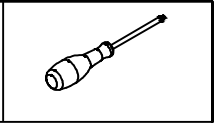




5

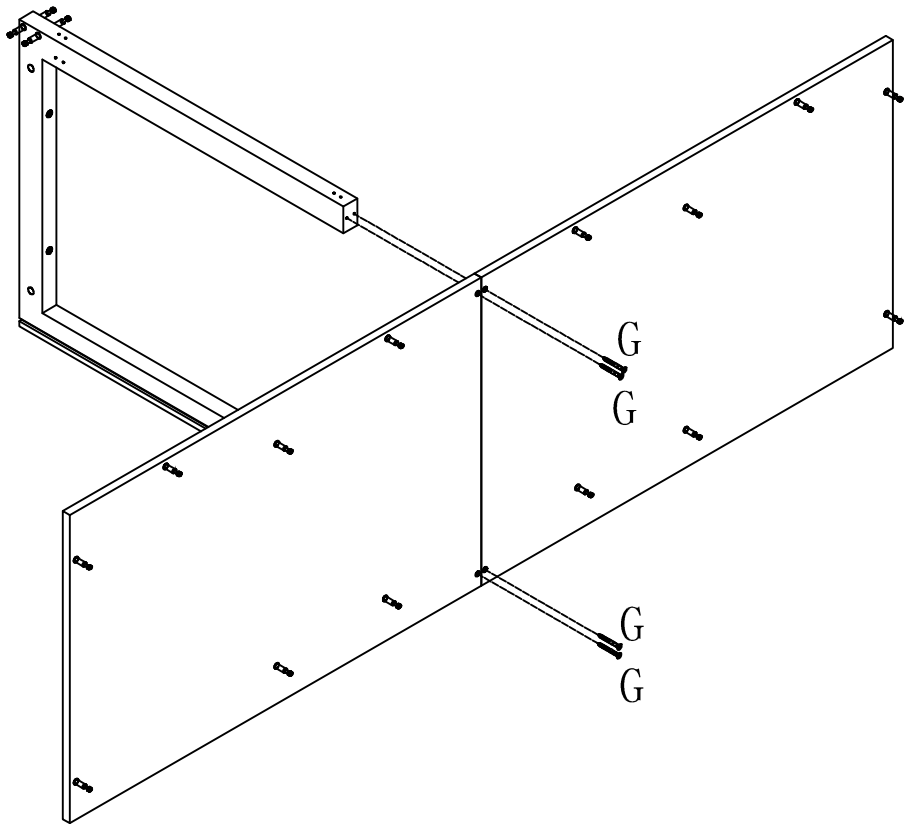
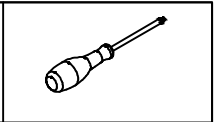


6



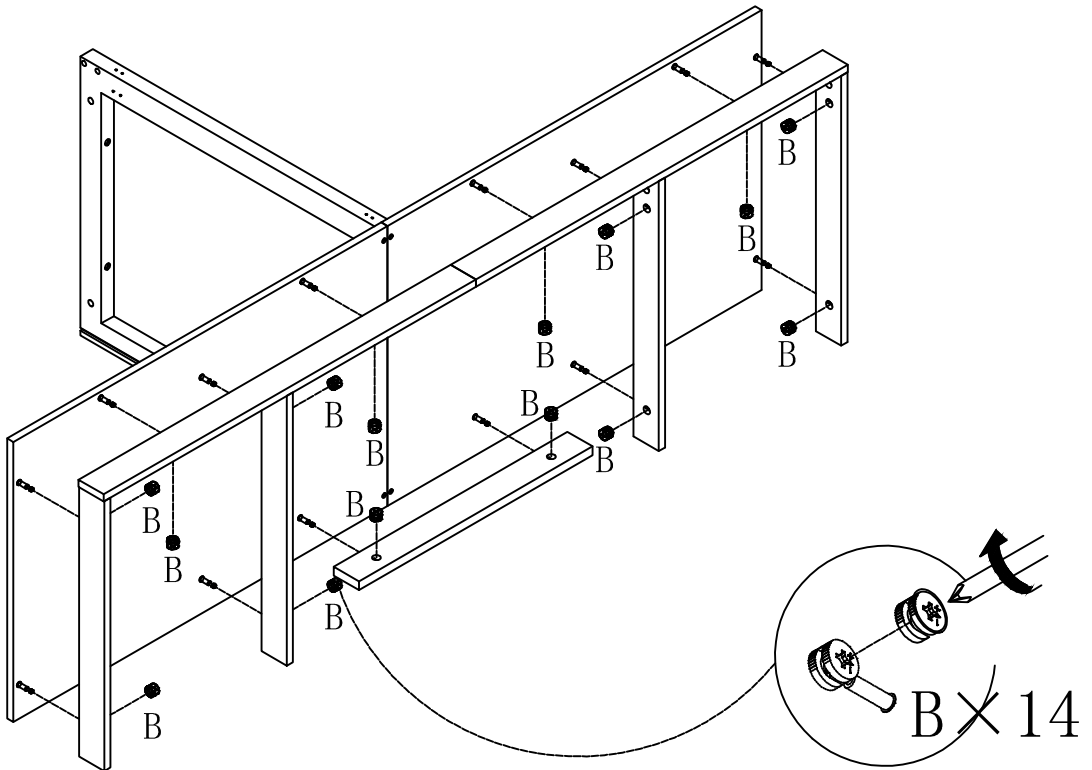
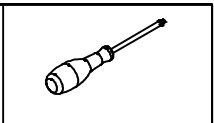
7

  
G×4



8

  
B×14



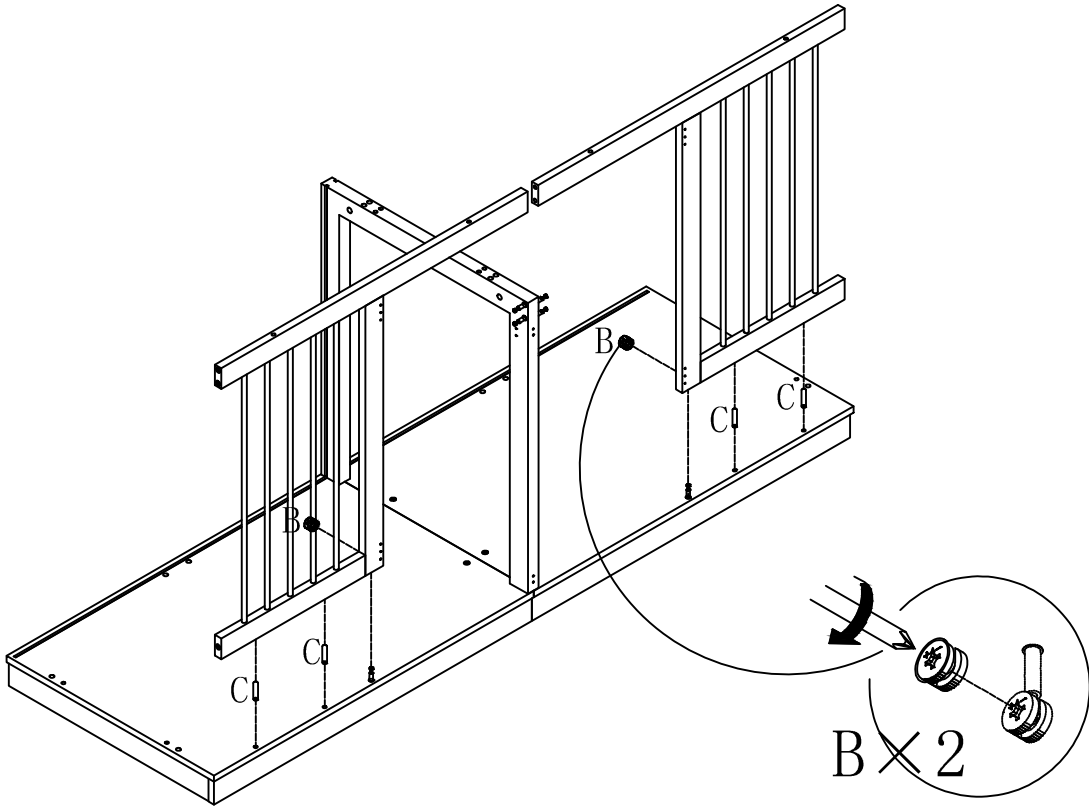
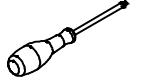
9



B×2



C×4



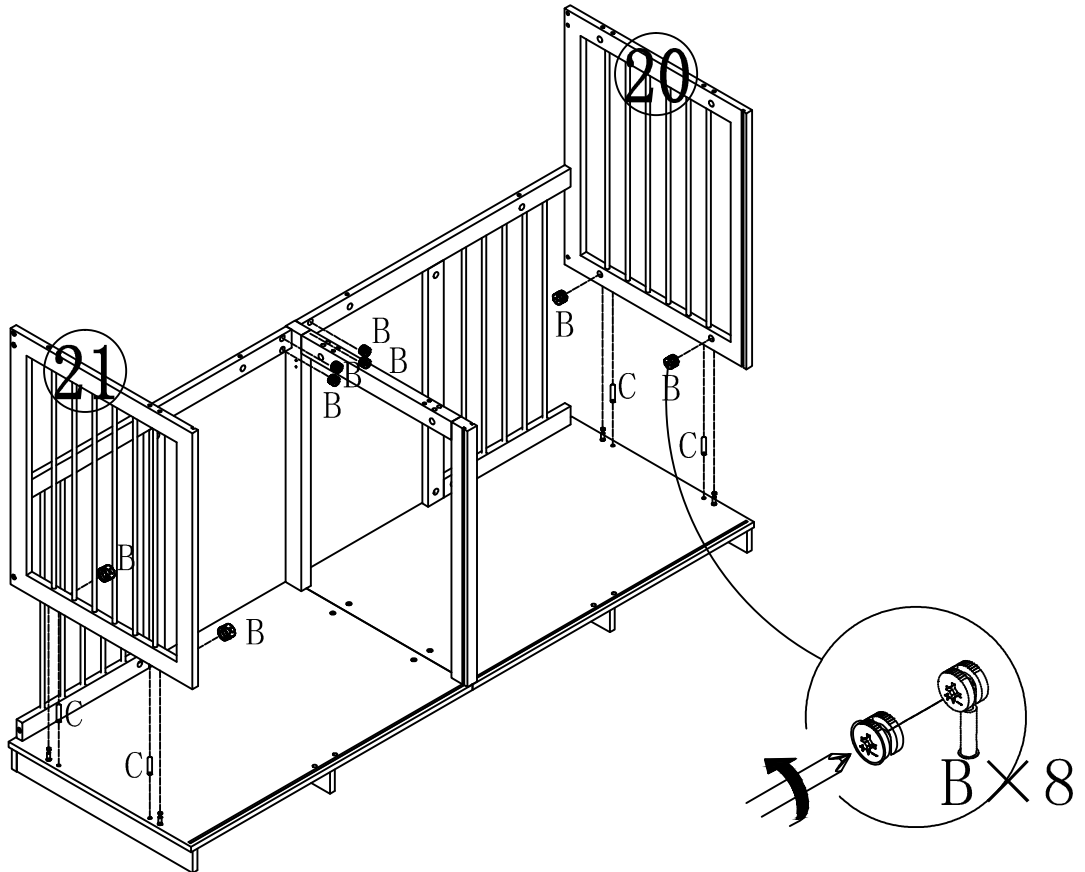
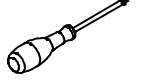
10



B×8

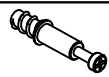


C×4

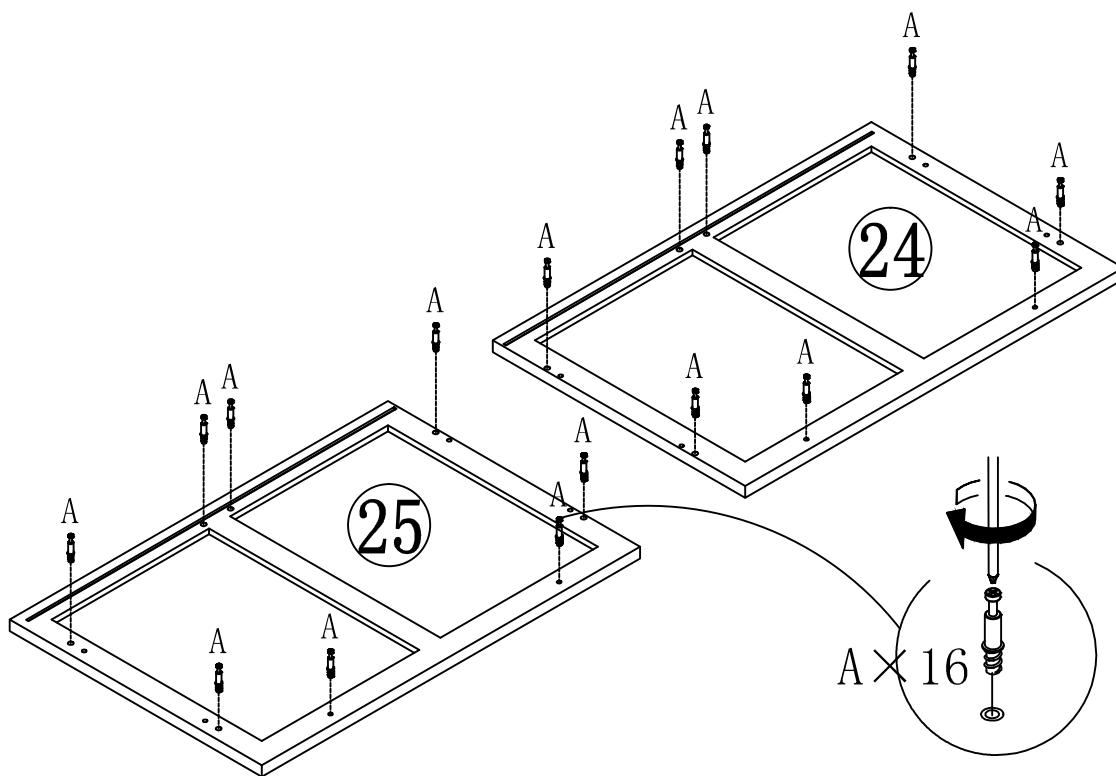




13



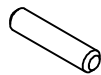
A x 16



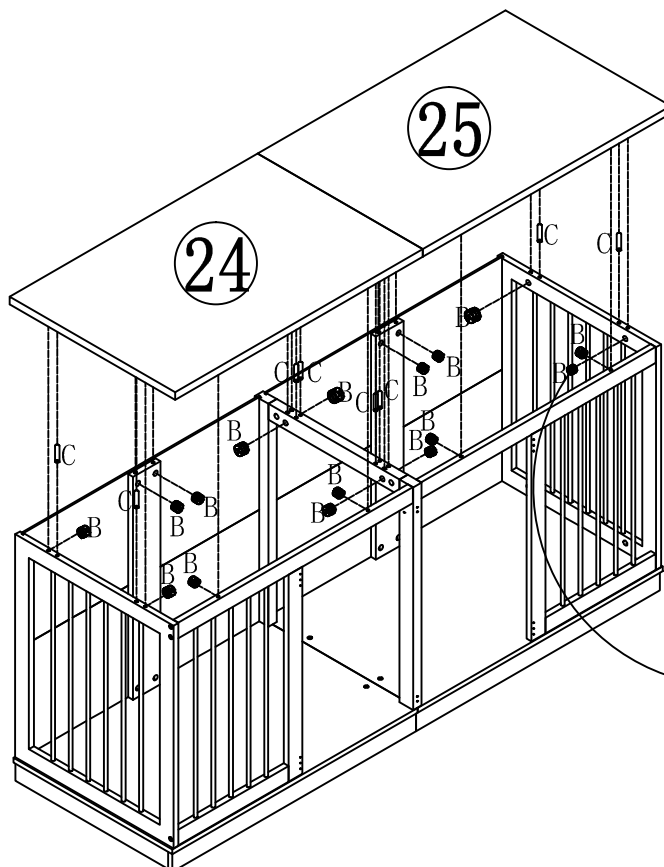
14



B x 16



C x 8



B x 16

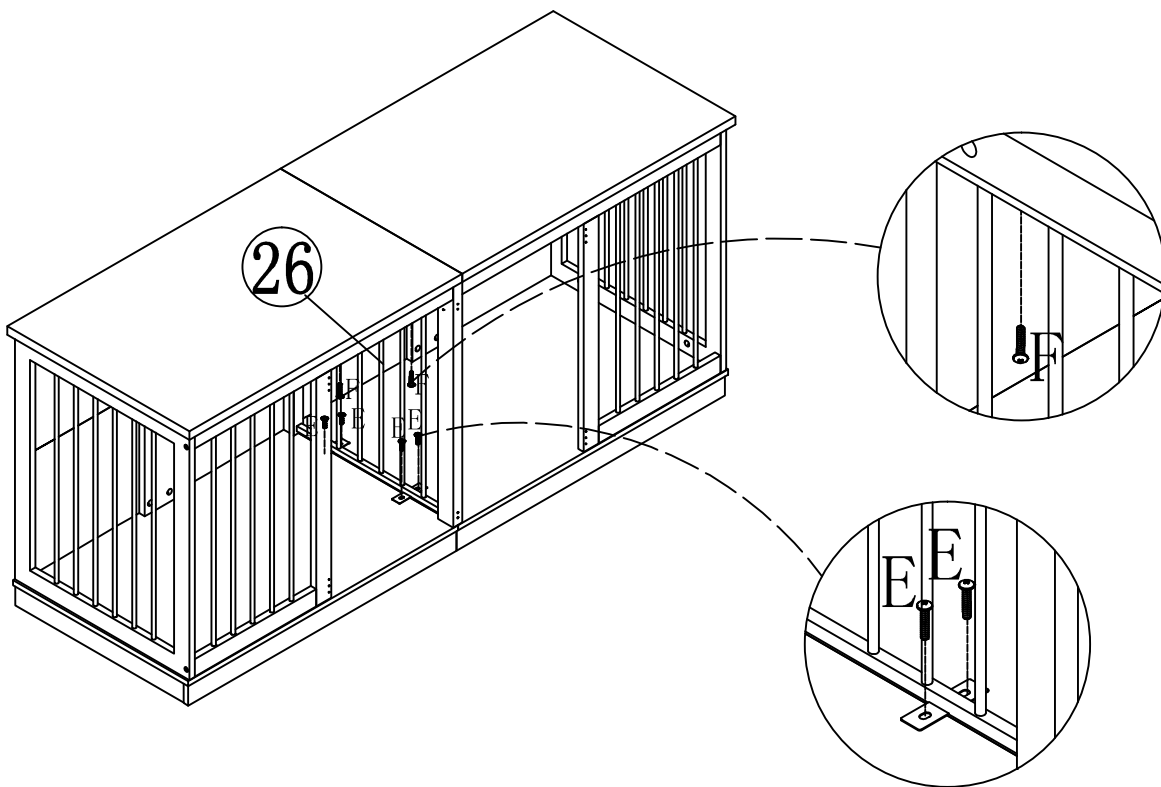
15



E×4



F×2



16



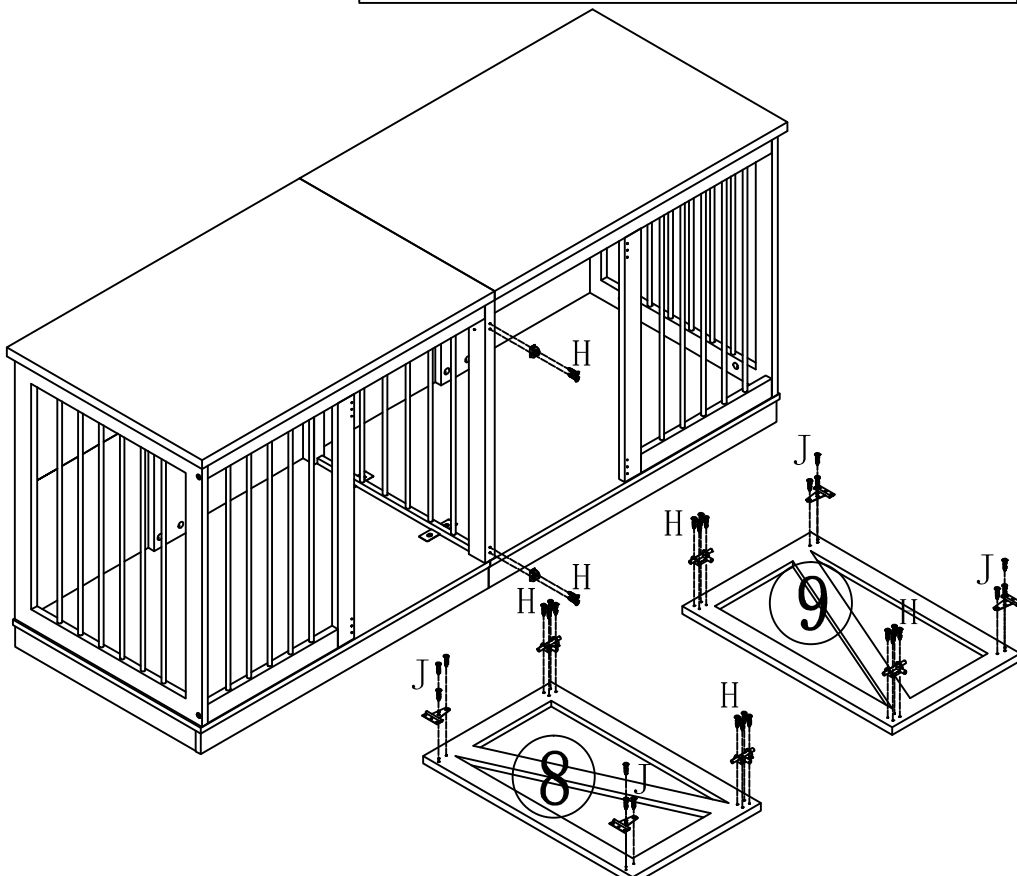
H×2



H×4



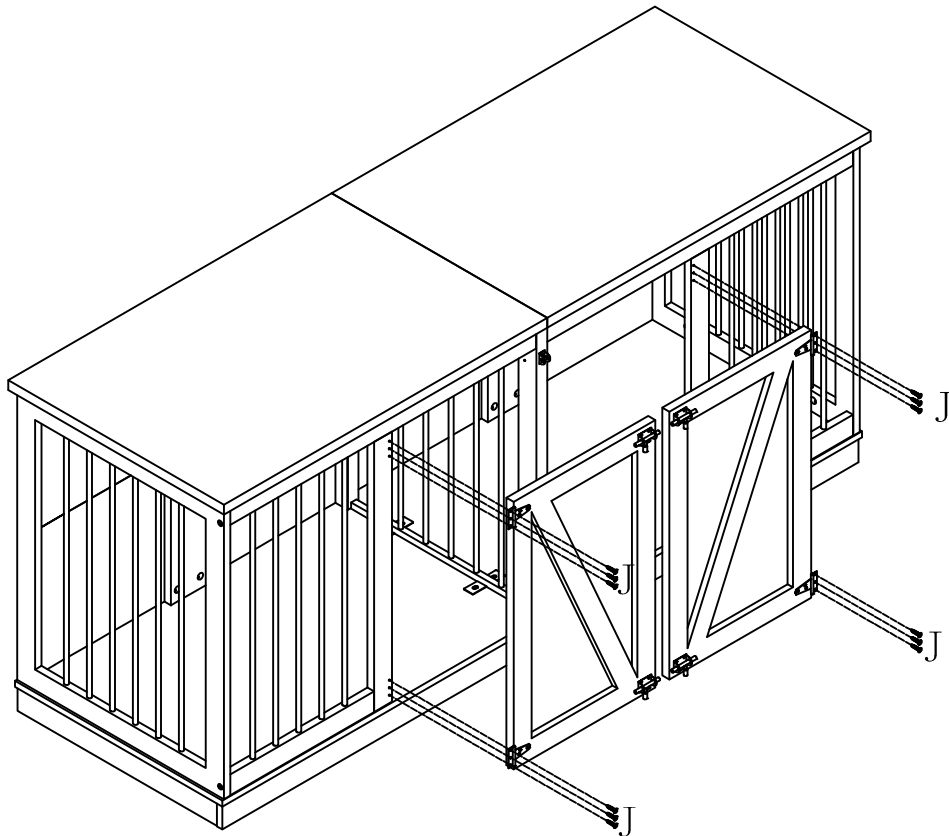
J×4



17



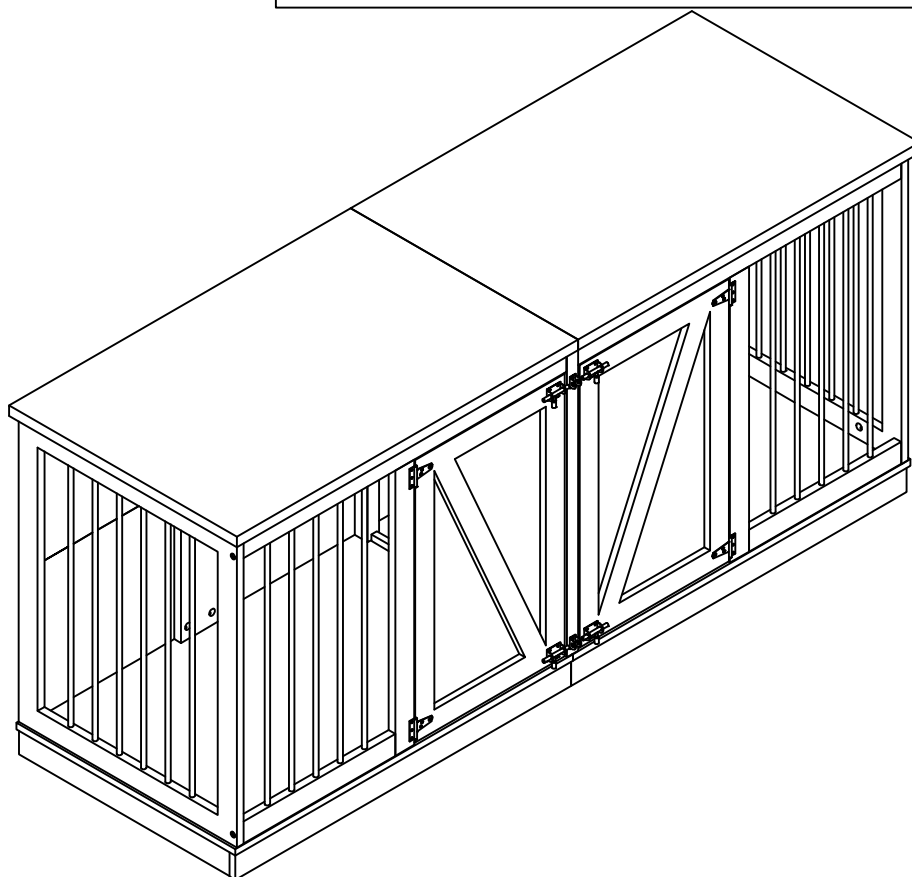
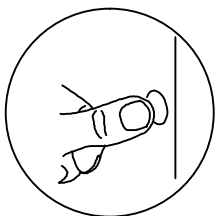
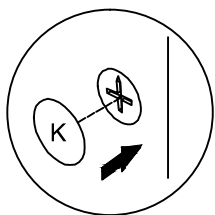
J×4



18



K×54



# HELP CENTER

Question about your product? We're here to help. Visit us at:



Chat Support



Product Inquiry



Orders FAQ



Product Assembly



Returns & Refunds

## Stands Behind the Quality and Service

If you have any issues with your item please let us know! We will always do our best to come up with a solution that you will be happy with. [CSTSERVICEASAP@OUTLOOK.COM](mailto:CSTSERVICEASAP@OUTLOOK.COM)

### RETURN

Items can be returned within **30 days** of purchase.

#### Who is responsible for the return shipping fee

We will cover the return shipping fees if:

1. Your item has a manufacturing defect in its materials or workmanship. For example, torn wicker or misaligned screw holes. We will send you a prepaid shipping label after photos are sent.
2. Your item has been damaged in transit. For example, glass is broken or wicker is damaged. We will send you a prepaid shipping label after photos are sent.
3. You receive the wrong box(es) due to a warehouse error. We will send you a prepaid shipping label after photos are sent of the wrong SKU numbers on the outer box(es).
4. One or more boxes are lost in transit. We will send you a prepaid shipping label if you no longer want the item.

\* However, we still hope to work with you for a better solution instead of a return. Please don't hesitate to contact our customer service team.

Customer will cover the return shipping fees if:

1. You don't like the product(s) after receiving the box(es).
2. You no longer need the product(s) but you have received the box(es).
3. You buy the product(s) by mistake but you have received the box(es).
4. Order / Shipment cancellation failed and you have received the box(es).

## WARRANTY

everything you purchased from us comes with a 60-day warranty Type of Warranty Claim.

- Failure to follow the furniture instructions will invalidate the warranty. Attention please.
- Does not include damage during installation, but includes damage during transportation. Scope of responsibility.
- Shall not bear any responsibility for misuse or user damage and / or loss of parts during the installation of furniture.
- After using, the damage and scratches of the furniture are not covered by the warranty.

## RETURN REQUEST

In all circumstances please save all packaging material and paperwork for the order, Please be aware that if you dispose of packaging material or attempt to return the merchandise without contacting the fulfiller, you jeopardise your chances of making a claim, and you may not receive a credit for the return.

### **When will I be refunded?**

The refund is released once the goods have been returned to our warehouse

### **What if the product is damaged/defective outside of the valid return period?**

We want you to be a happy customer. Please reach out to us by email and we will come up with a solution to make sure you are satisfied