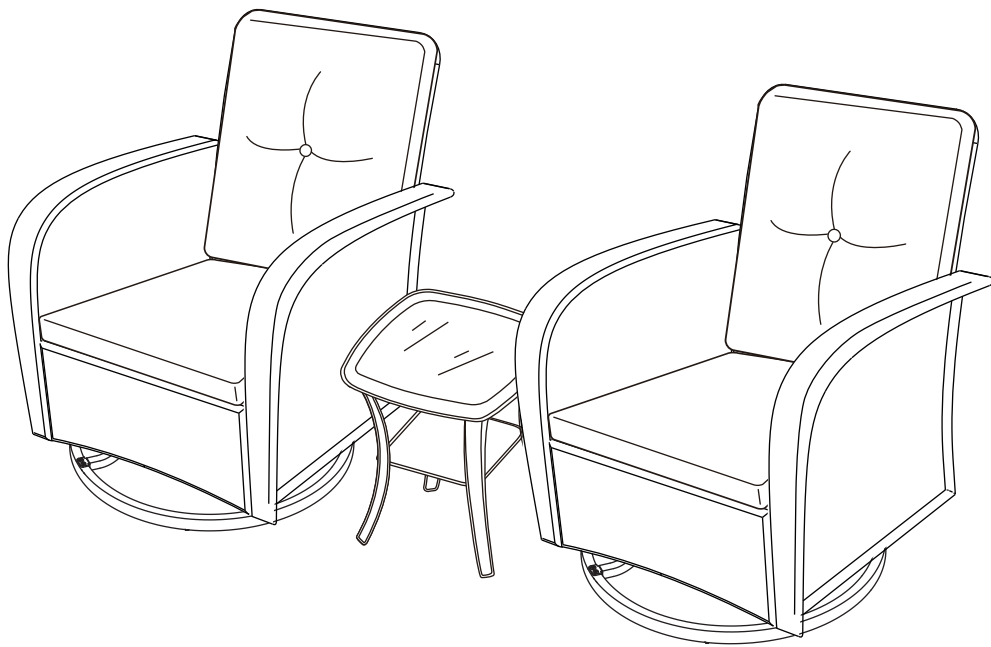


Outdoor Swivel Chair Set Instruction

If you have any questions about the outdoor swivel chair set, please feel free to contact us.



NOTICE

PLEASE RETAIN THESE INSTRUCTIONS FOR FUTURE REFERENCE.

Dear Customer,

Thank you for shopping with us!

When you receive the product, please make sure that all the parts are included.

Then please browse the entire installation manual before assembling.

If any problem occurs unsatisfactorily as follows:

A·The outer box is damaged

B·The product is damaged / bent / cracked while you open the box

C·The parts / accessories / assembly tools are missing

D·The product is hard to assemble

E·The instructions are not clear and can not be referred

F·The product has functional problems

G·Other aspects that you are not satisfied with

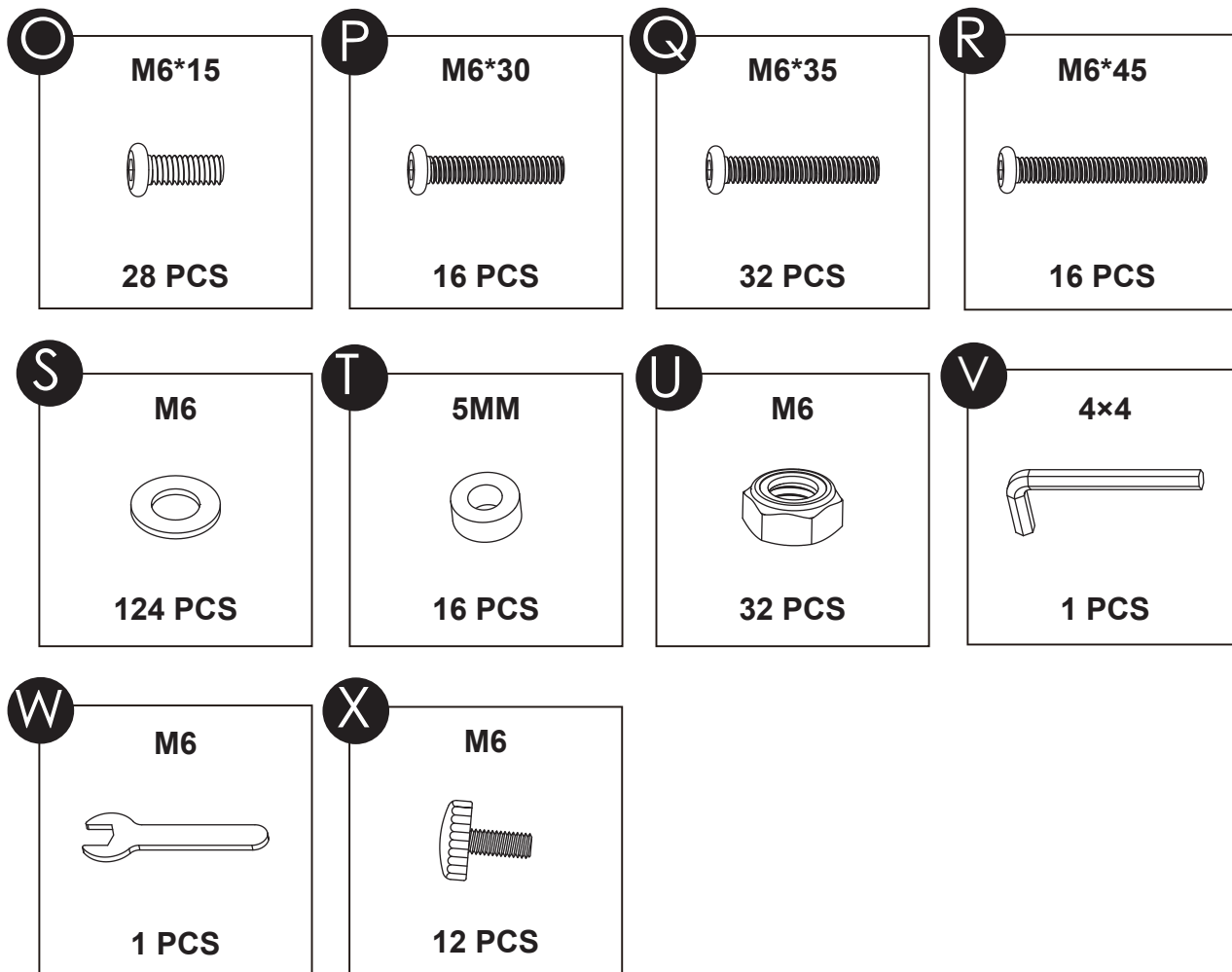
if you have any questions.

Our team will reply within 24 hours and will do our best to resolve your problem for you.

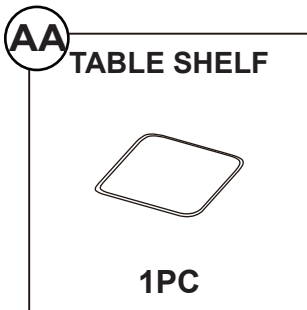
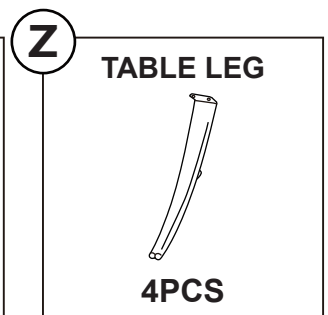
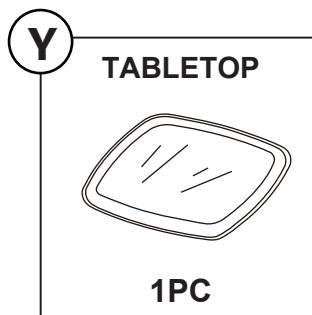
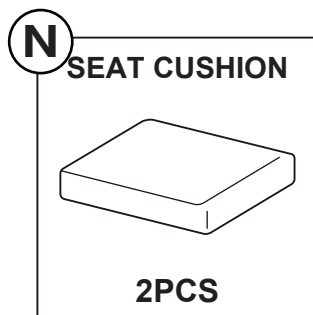
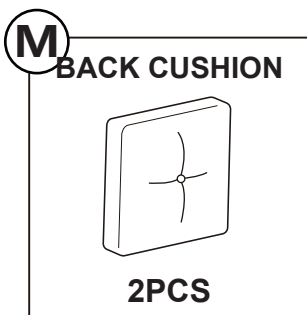
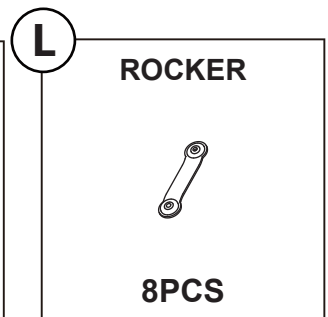
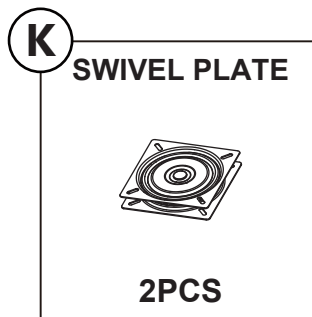
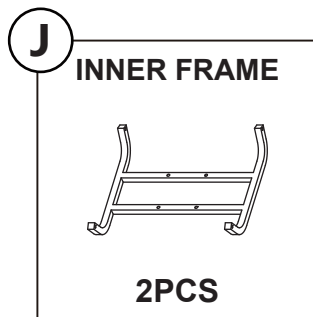
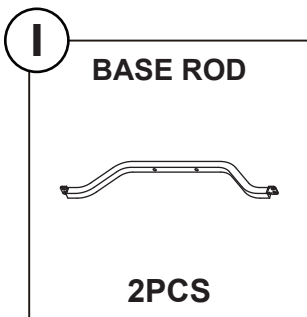
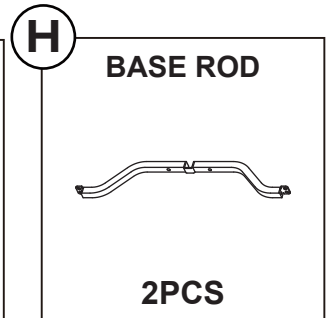
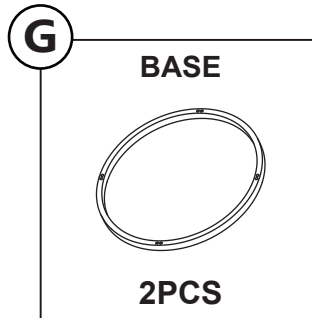
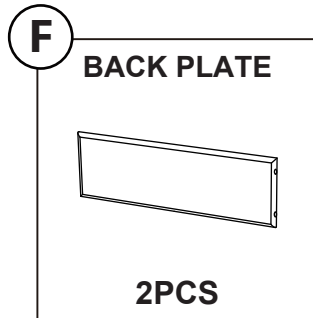
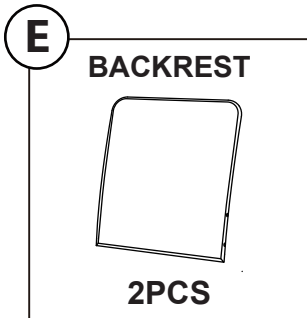
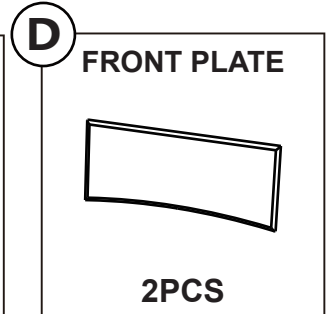
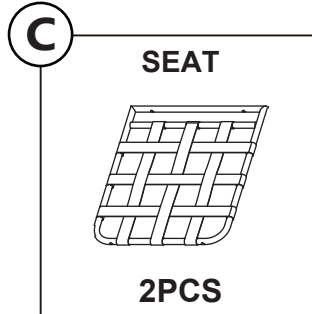
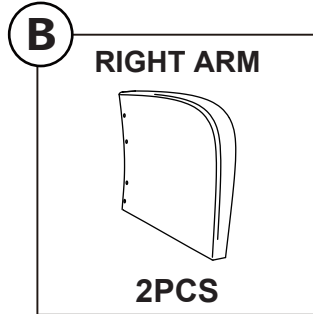
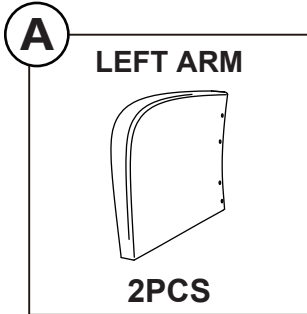
CARE INSTRUCTIONS

- Assemble the unit on a level surface.
- Please note that this product is an assembled furniture. Do not tighten the screws at the first time during the installation process. After aligning all the screw holes, tighten them again.

HARDWARE

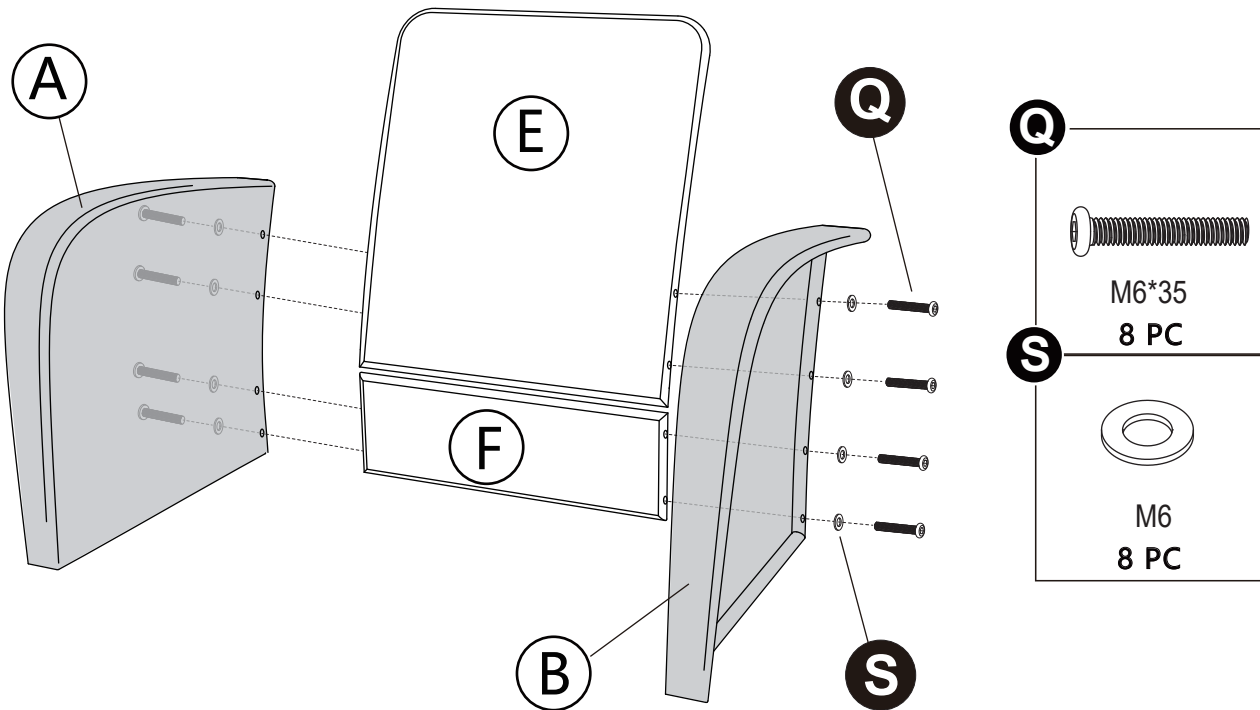


PARTS



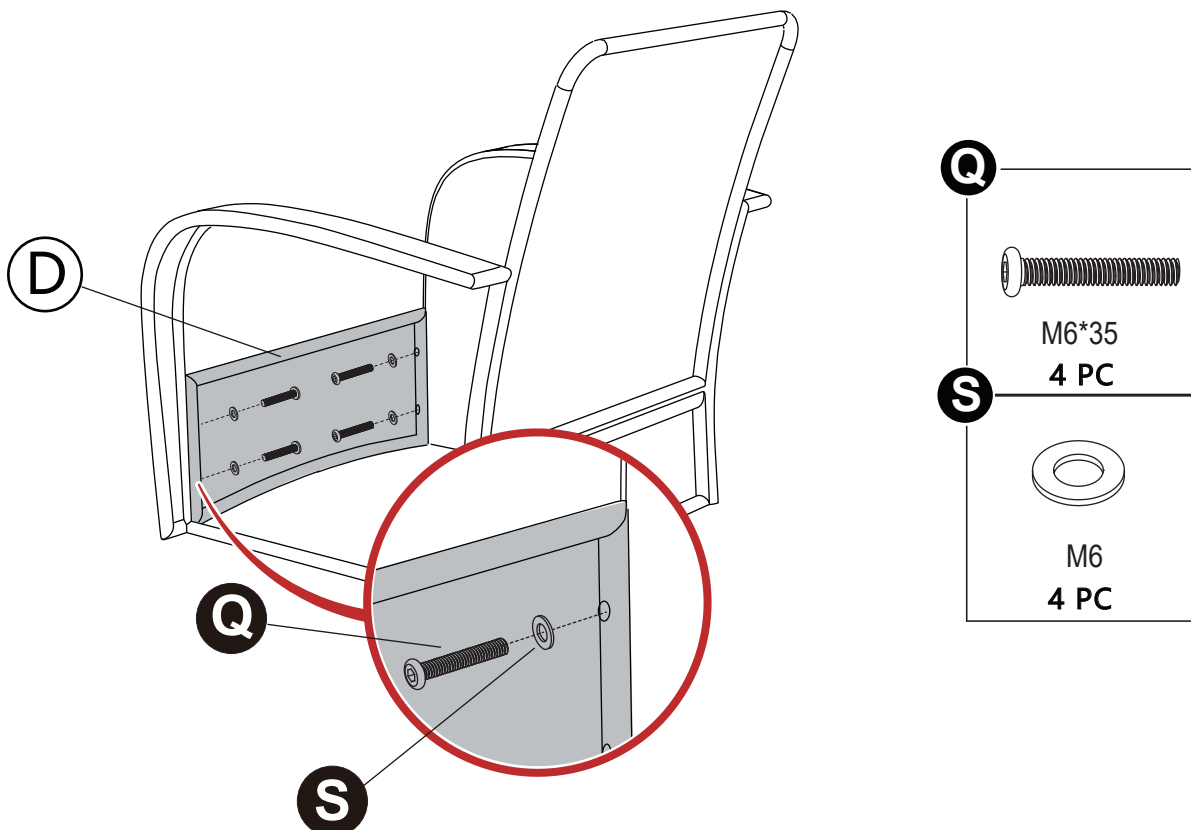
PRODUCT ASSEMBLY - CHAIR

STEP 1



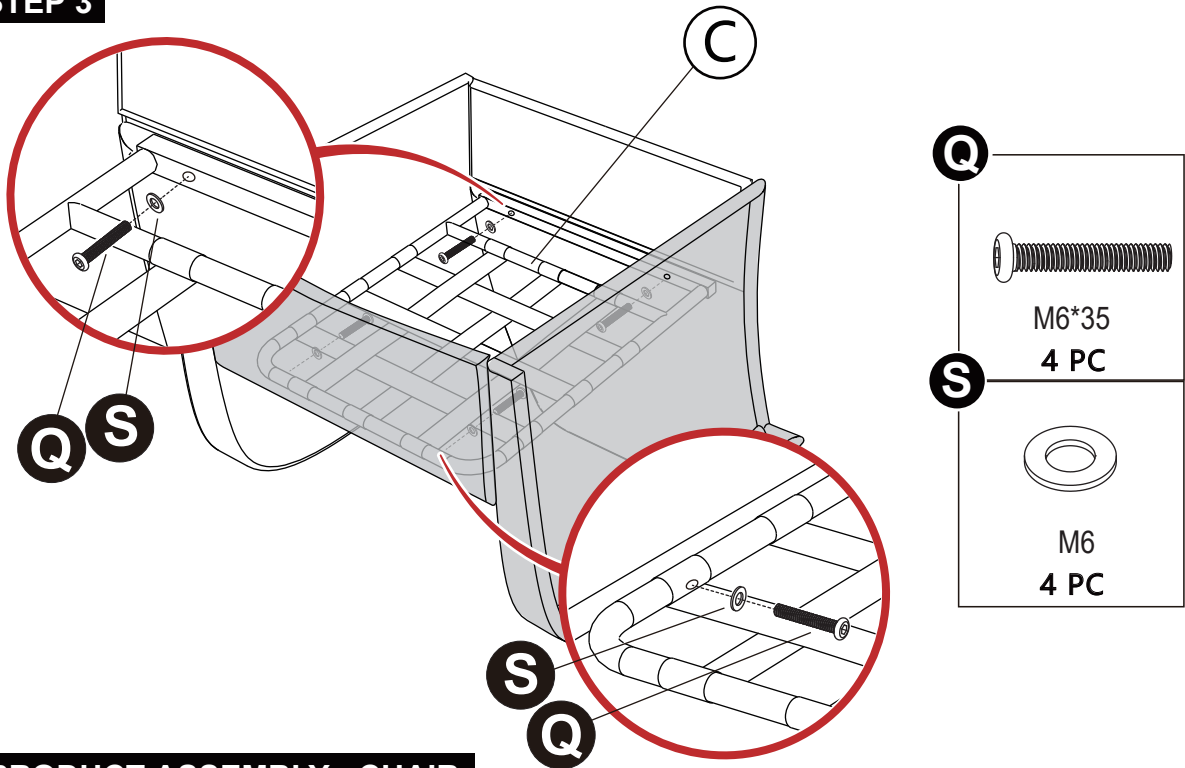
PRODUCT ASSEMBLY - CHAIR

STEP 2



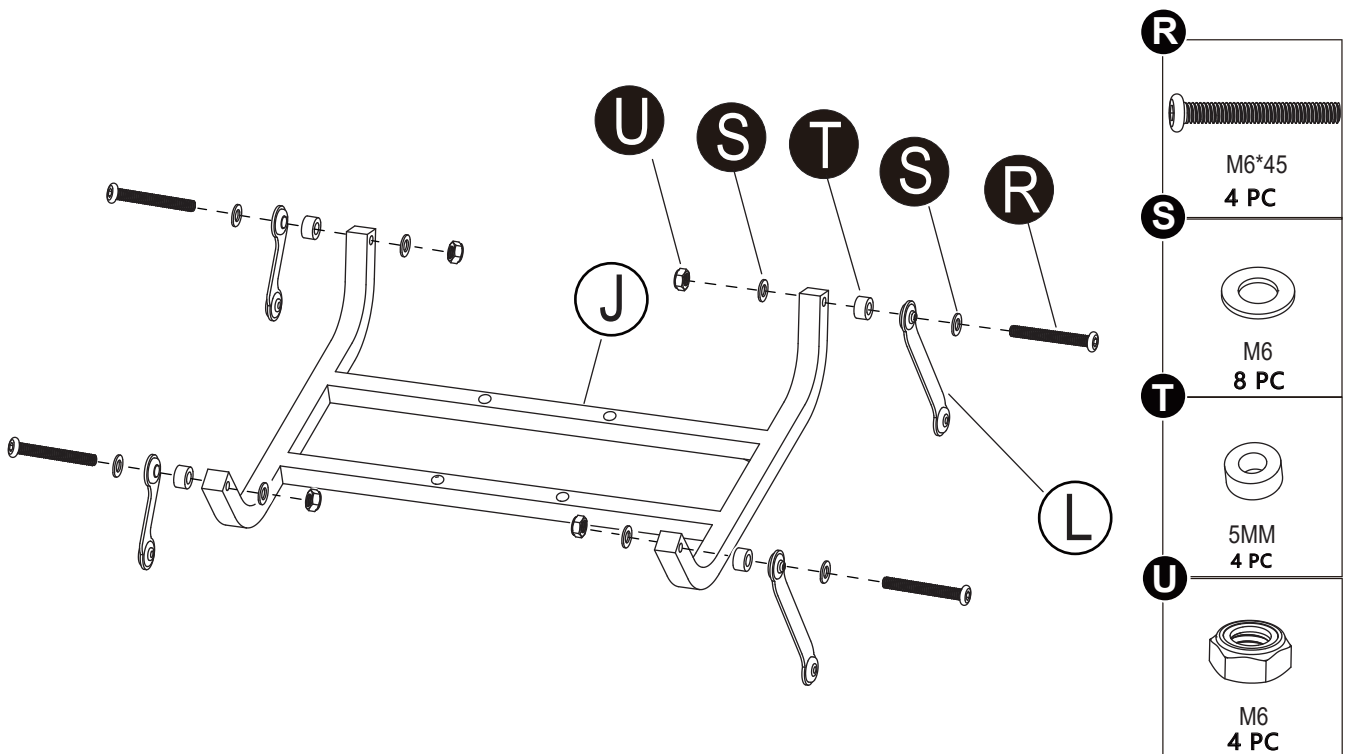
PRODUCT ASSEMBLY - CHAIR

STEP 3



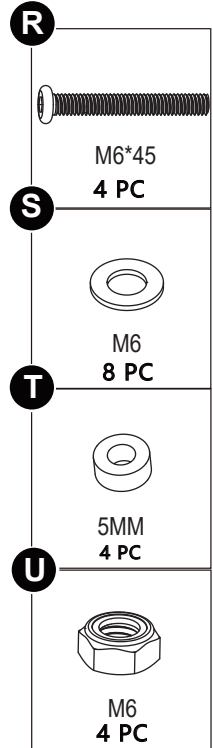
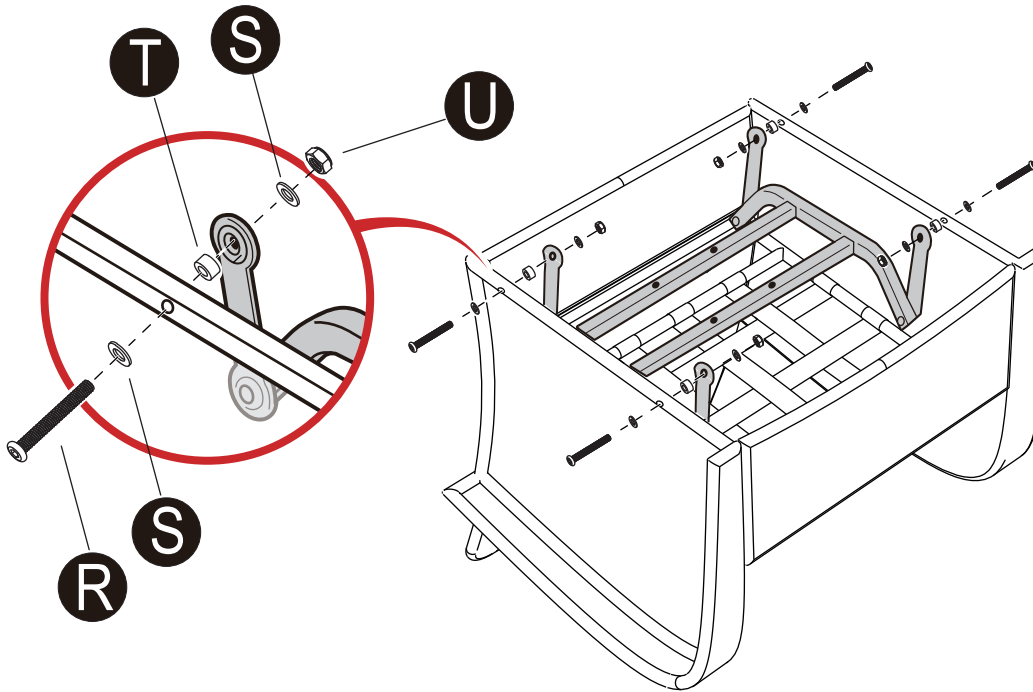
PRODUCT ASSEMBLY - CHAIR

STEP 4



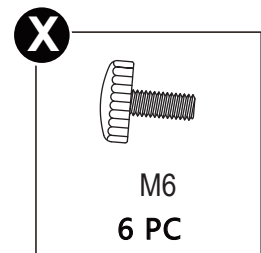
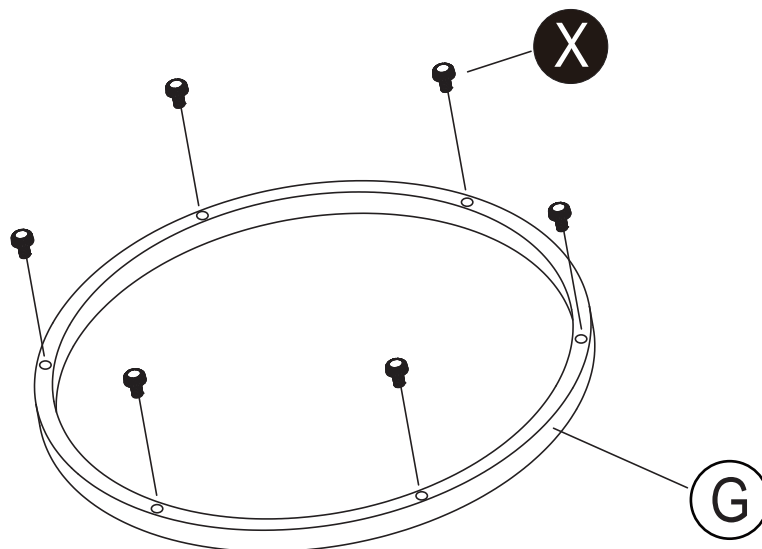
PRODUCT ASSEMBLY - CHAIR

STEP 5



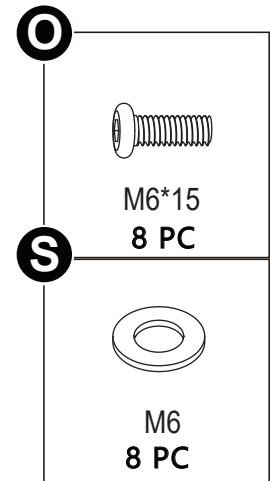
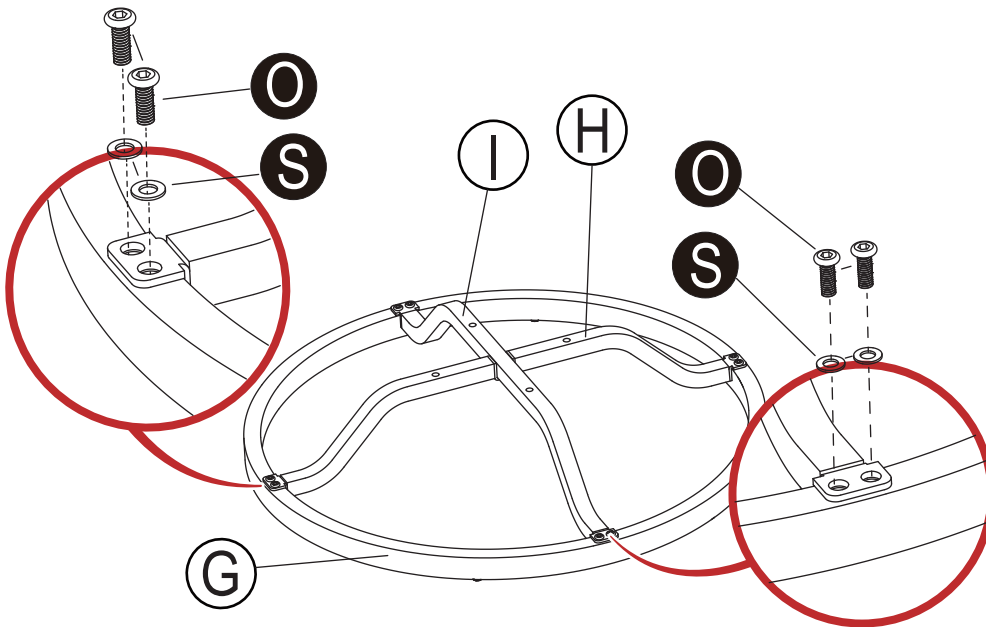
PRODUCT ASSEMBLY - CHAIR

STEP 6



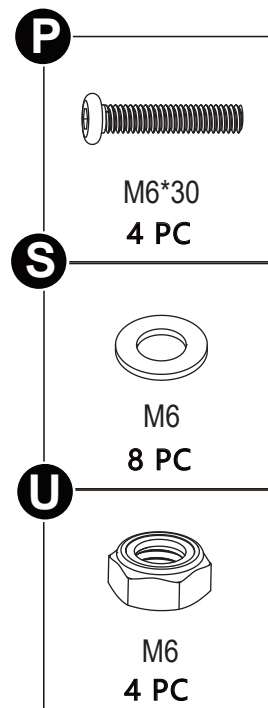
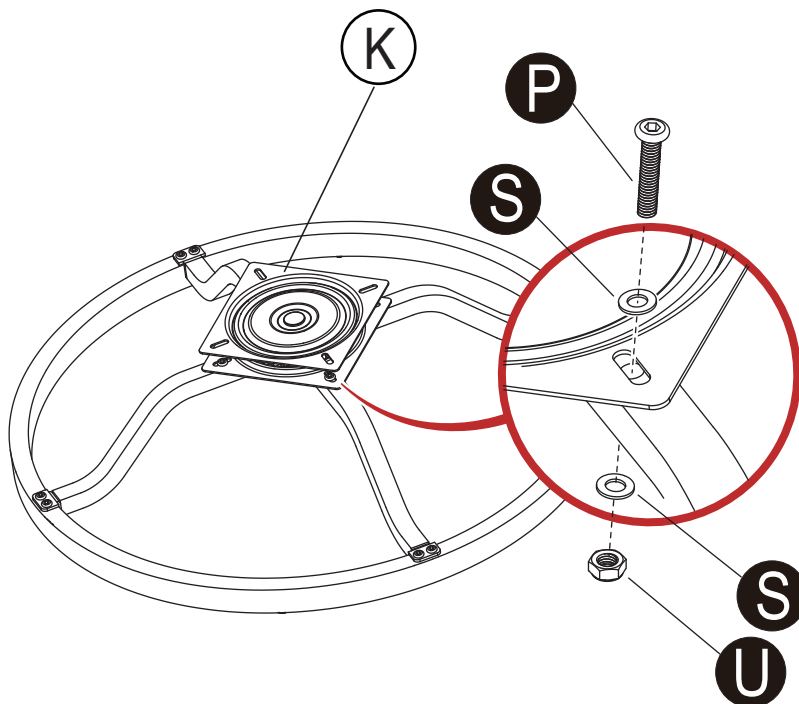
PRODUCT ASSEMBLY - CHAIR

STEP 7



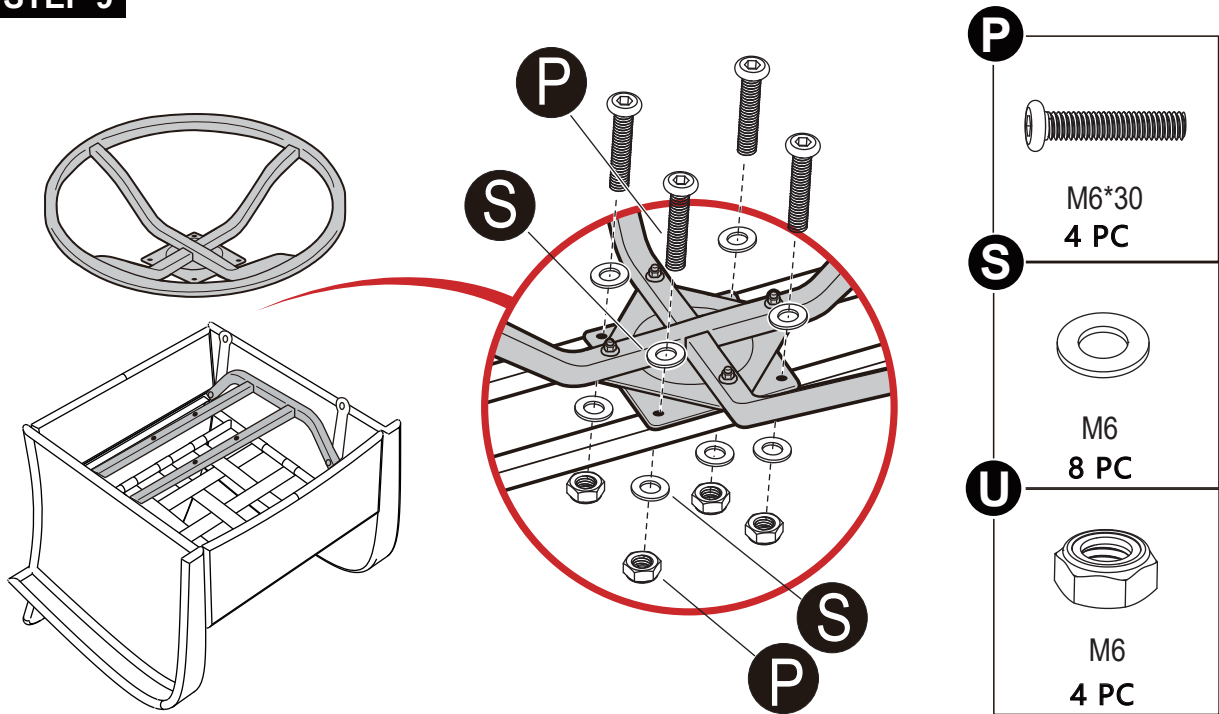
PRODUCT ASSEMBLY - CHAIR

STEP 8



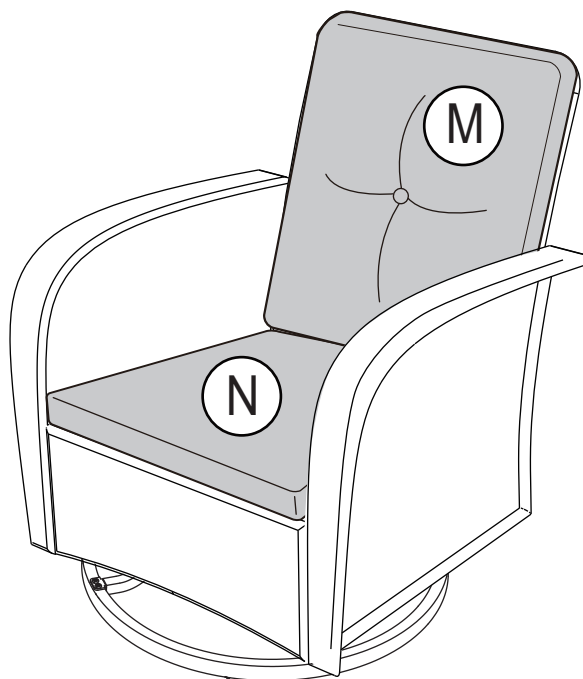
PRODUCT ASSEMBLY - CHAIR

STEP 9



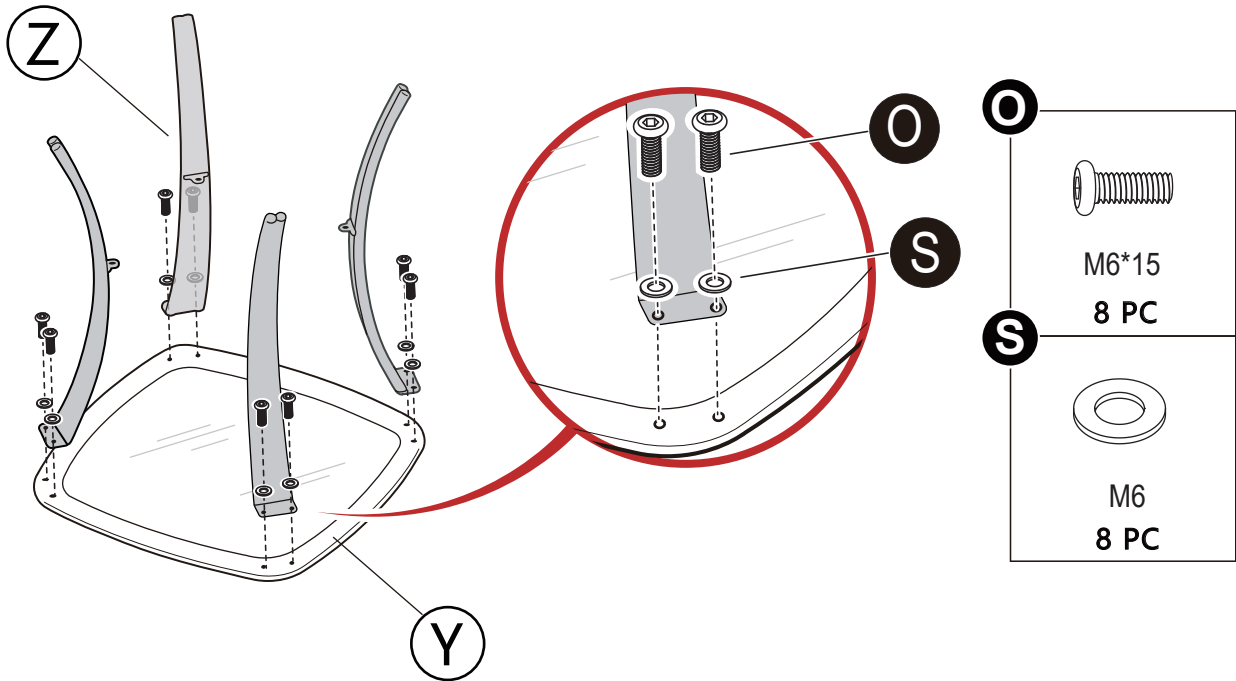
PRODUCT ASSEMBLY - CHAIR

STEP 10



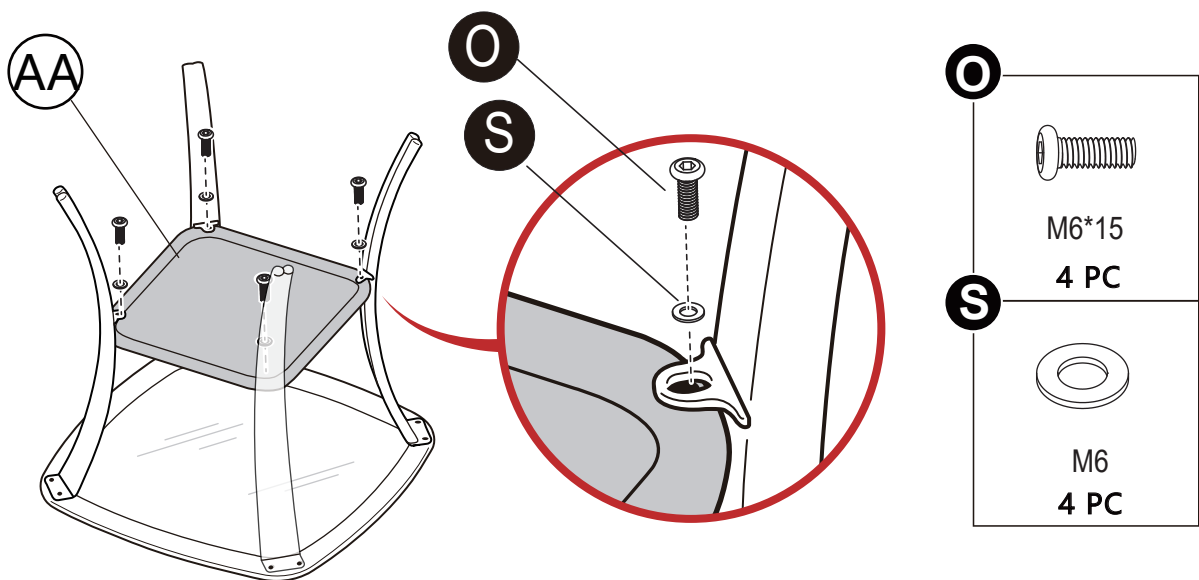
PRODUCT ASSEMBLY - TABLE

STEP 1



PRODUCT ASSEMBLY - TABLE

STEP 2



AFTER-SALE SERVICE CARD

If you have any suggestions for our products or find that the products have quality problems, please contact us first, our after-sales team will reply you within 24 hours, and we will do our best to give you solutions until you are satisfied.

Guaranteed Customer Service

Your shopping experience is very important to us!
Feel unsatisfied? Contact us!
Have any questions? Contact us!

Wanna Share how wonderful our smart products makes your home?
Share your pictures with us.
Any suggestions? Contact us!
We gotcha back!