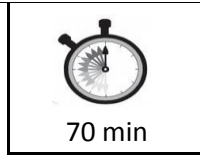
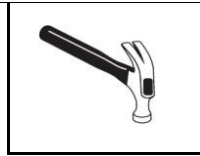


# 6 Drawer Chest

## 109 BT



Thank you for choosing this furniture.

**BEFORE YOU START ASSEMBLY** please store the carton for 48 hours or more so the contents can acclimatise.

**PLEASE RETAIN ALL PACKING UNTIL YOU HAVE COMPLETED ASSEMBLY.**

### Information about your furniture.

This furniture range has been carefully crafted from solid wood, MDF and toughened glass.

Each piece is hand crafted and has unique characteristics in its finish. These are part of the natural character of the furniture itself.

### Caring for your furniture.

Extreme temperature can cause slight movements in the wood framework so please avoid placing your furniture close to radiators or other direct sources of heat. Please avoid exposing your furniture to continued bright sunlight as this can affect the colour.

Any fluid spills should be removed as quickly as possible. Always lift your furniture when moving as dragging may cause damage to your furniture or flooring. Always use place mats, coasters or tablecloths to help protect against scratches and accidentally dropped items.

Always use heat resistant mats when placing hot or cold items on to surfaces.

Do not sit or stand on glass surfaces.

### After care.

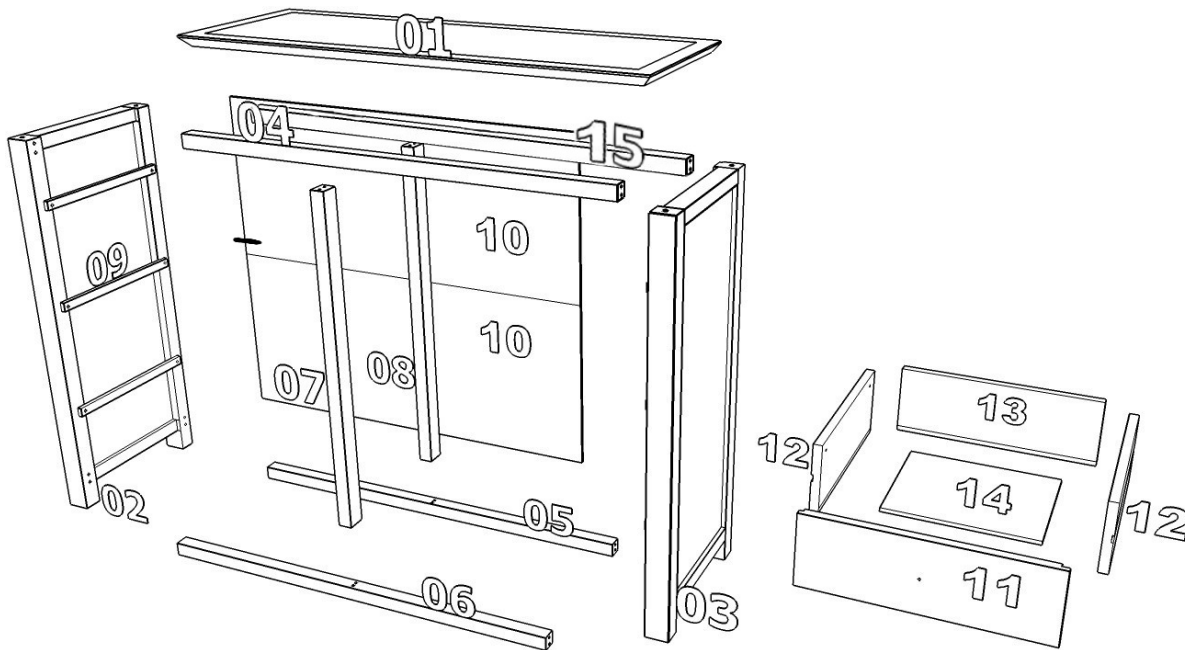
Wipe all surfaces with a dry cloth and the occasional use of a normal household furniture polish on wood surfaces and a household glass cleaner on glass surfaces. For furniture with drawers we also recommend you use household spray polish occasionally on the drawer side grooves and runners as this will aid use. Please do not use detergents or chemicals on your furniture.

### Before you start assembly.

Please check that you have all the correct parts and fittings as detailed above. In the unlikely event of a part being damaged or missing please mark the component or part on the diagrams above and email to [support@arisesunamericas.com](mailto:support@arisesunamericas.com)

Please provide the following information so that your request can be sent directly to you.

\* Name \* Address \* Post Code \* Telephone number \* Batch number (to be found at either end of the outer box, starting with PO+2 numbers)



**A = x40  
Dowel**



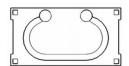
**B = x20  
40mm Screw**



**C = x120  
25mm Screw**



**D = x30  
Nail**

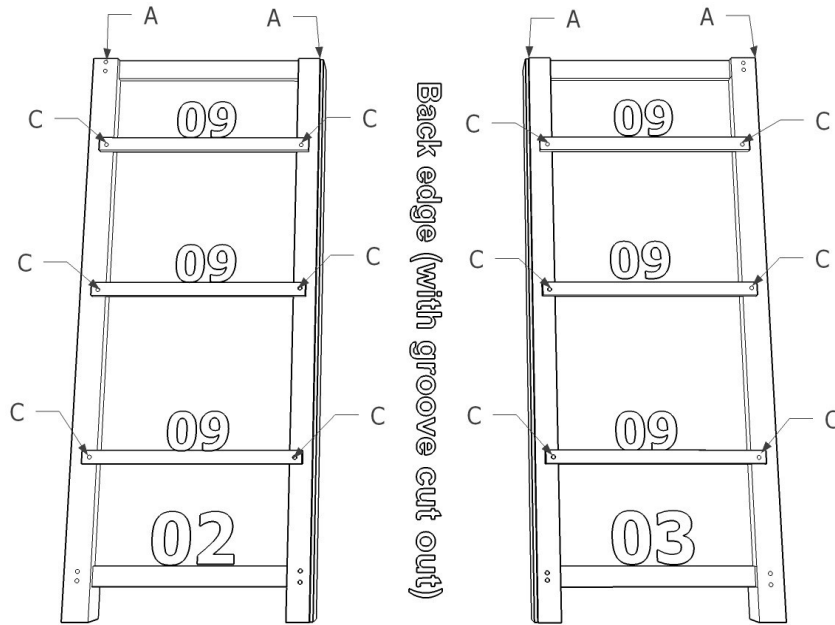


**E = x12  
Handle**



**F = x24  
Bolt**

1

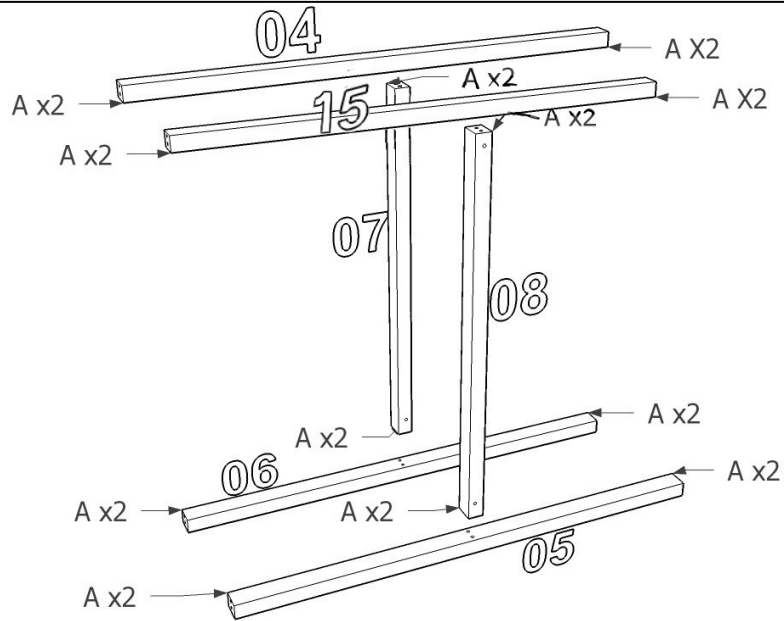


A = x4  
Dowel



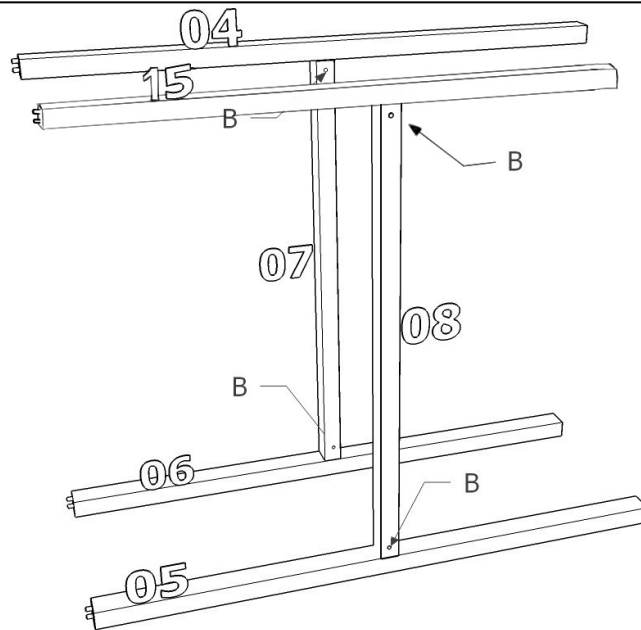
C = x12  
25mm Screw

2



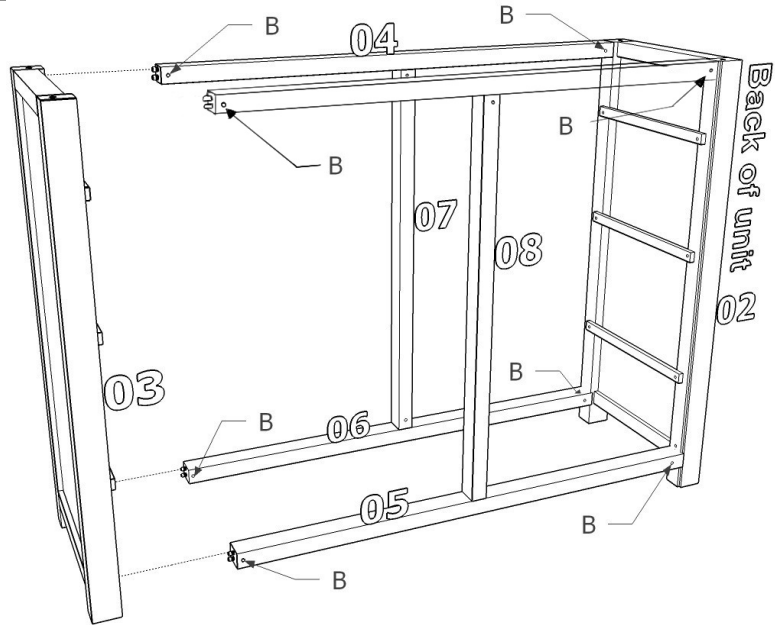
A = x24  
Dowel

3



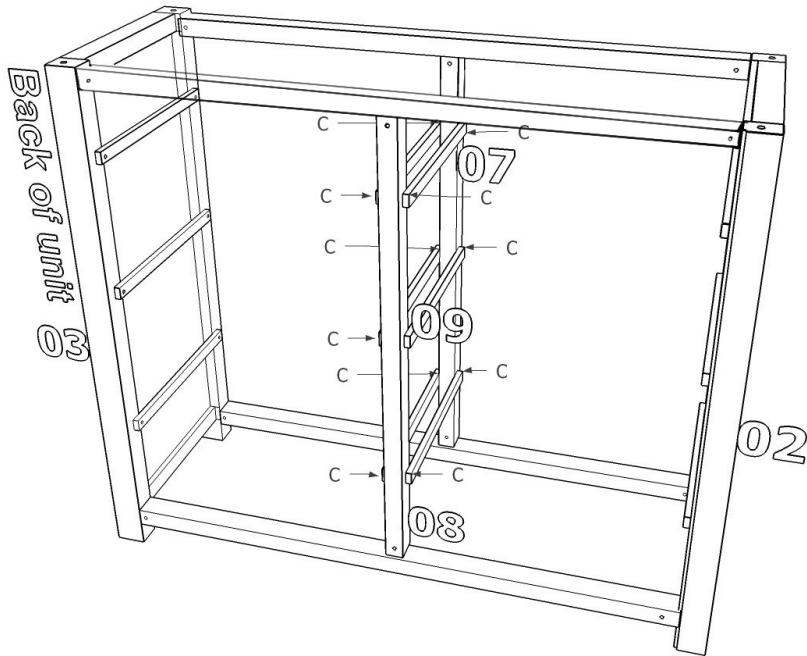
B = x4  
40mm Screw

4



**B = x8**  
40mm Screw

5

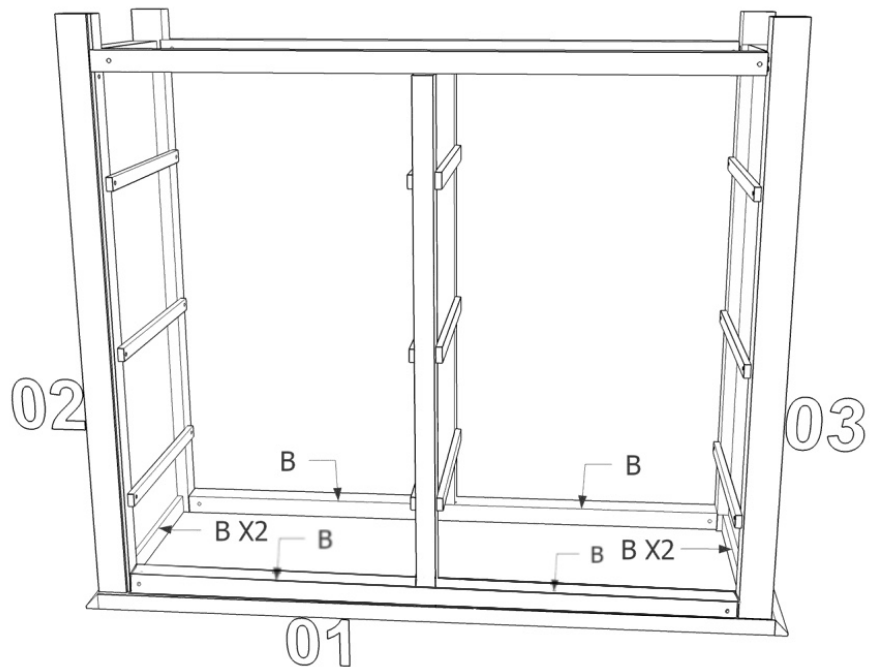


**C = x12**  
25mm Screw



6

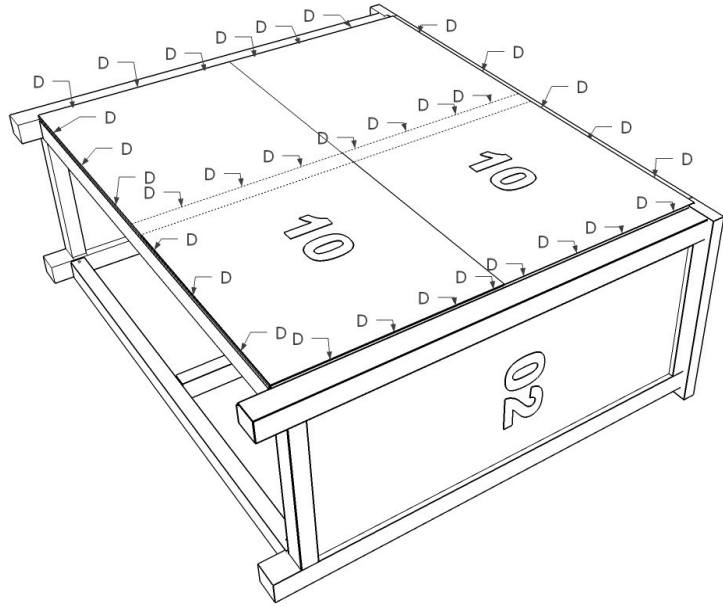
Tip: during assembly  
place unit onto a work  
surface with a clean cover



**B = x8**  
40mm Screw

7

Tip: Place top of unit over the edge of the work surface to ensure the top does not mark during assembly

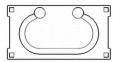


D = x30  
Nail

8



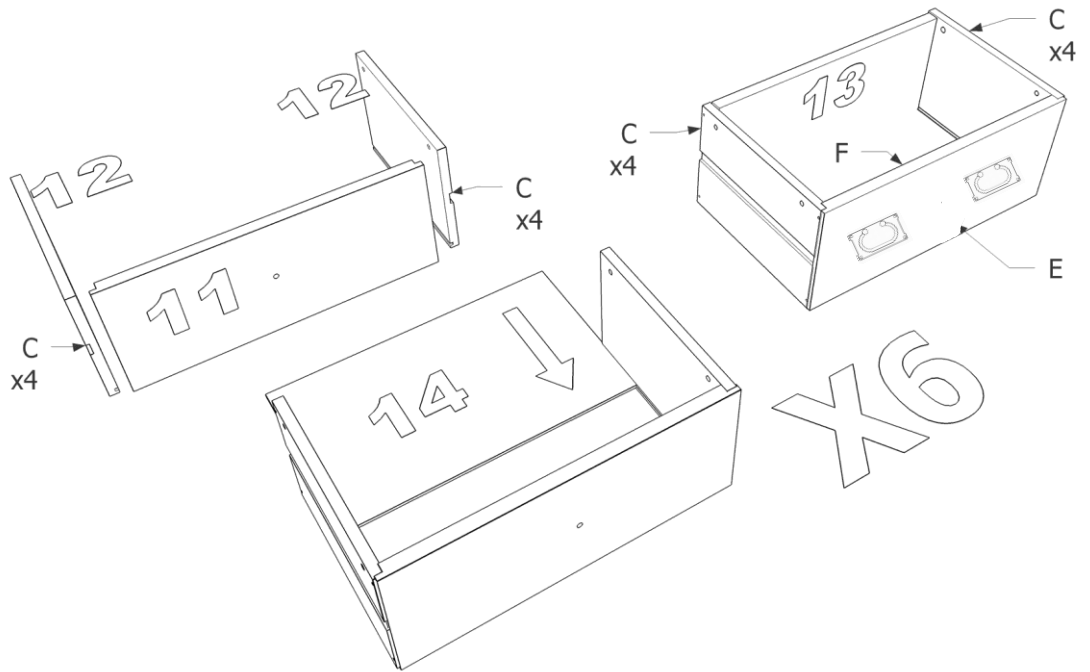
C = x96  
25mm Screw



E = x12  
Handle

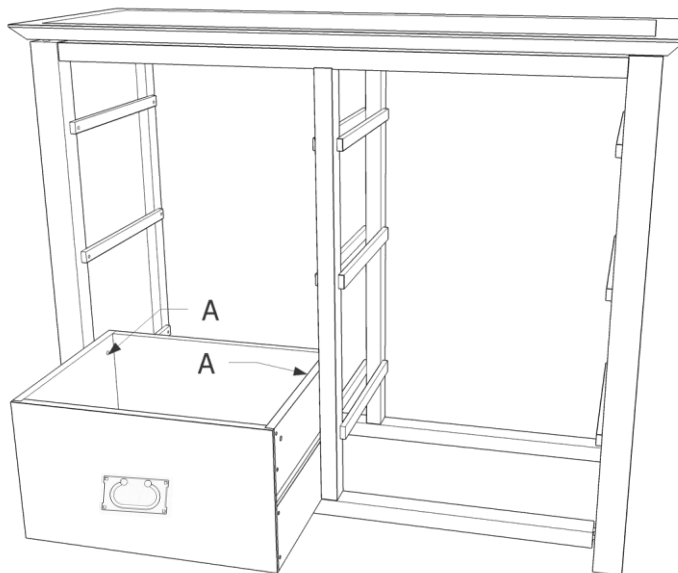


F = x24  
Bolt



9

Tip: insert dowels from the inside of the drawers, pushing through so they sit level with the inside of the drawer side.  
Repeat for all drawers



A = x12  
Dowel

**WARNING! TIPPING HAZARD – Unanchored furniture can tip over**

**WARNING: CHECK FOR HIDDEN PIPES AND CABLES BEFORE DRILLING.**

**IMPORTANT: IF YOUR WALLS ARE NOT SOLID LIKE BRICK OR STONE, YOU WILL REQUIRE SPECIALIST FITTINGS (NOT SUPPLIED)**

- Attach fixing strip to the wall using the 25mm screw + washer and securely tighten;
- Pre-drill small pilot hole on the back edge of the furniture top using a 2mm drill bit. Attach the other end of the fixing strip to the back edge of the furniture top using the 15mm screw + washer and securely tighten.
- Place fixing strip against the wall and mark position for drilling hole.
- Drill hole in your wall to a depth of 30mm using a 6mm drill bit. If the surface of your wall is soft and crumbly, we would advise you to use a 5mm drill bit for a tighter fit.
- Insert plug into hole with end flush to the wall surface;

10



**C = x1  
30mm Screw**



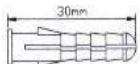
**X = x1  
25mm Screw**



**Z = x2  
Washer**



**Y = x1  
Wall Tie**



**W = x1  
Wall Plug**

WALL

