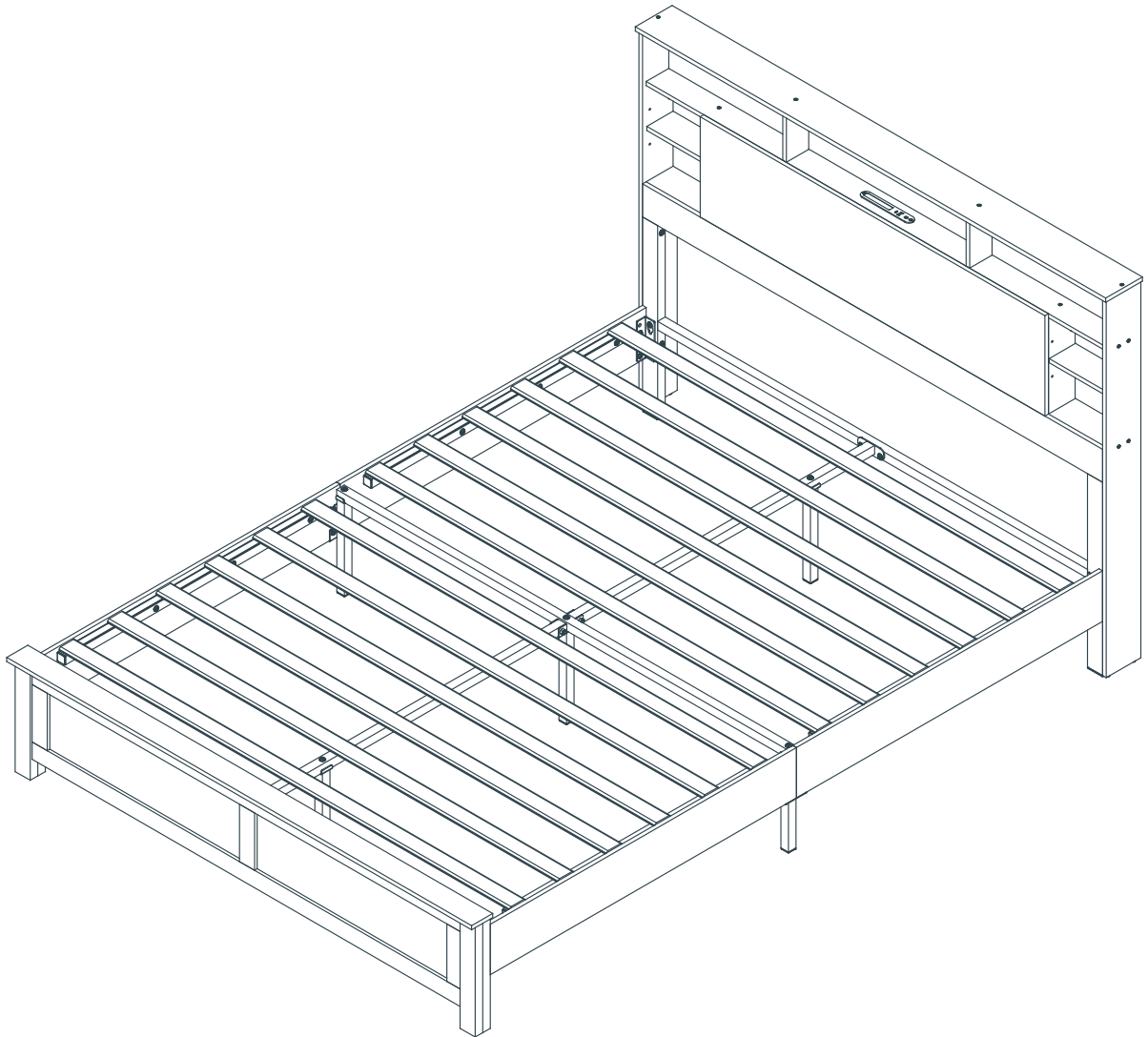
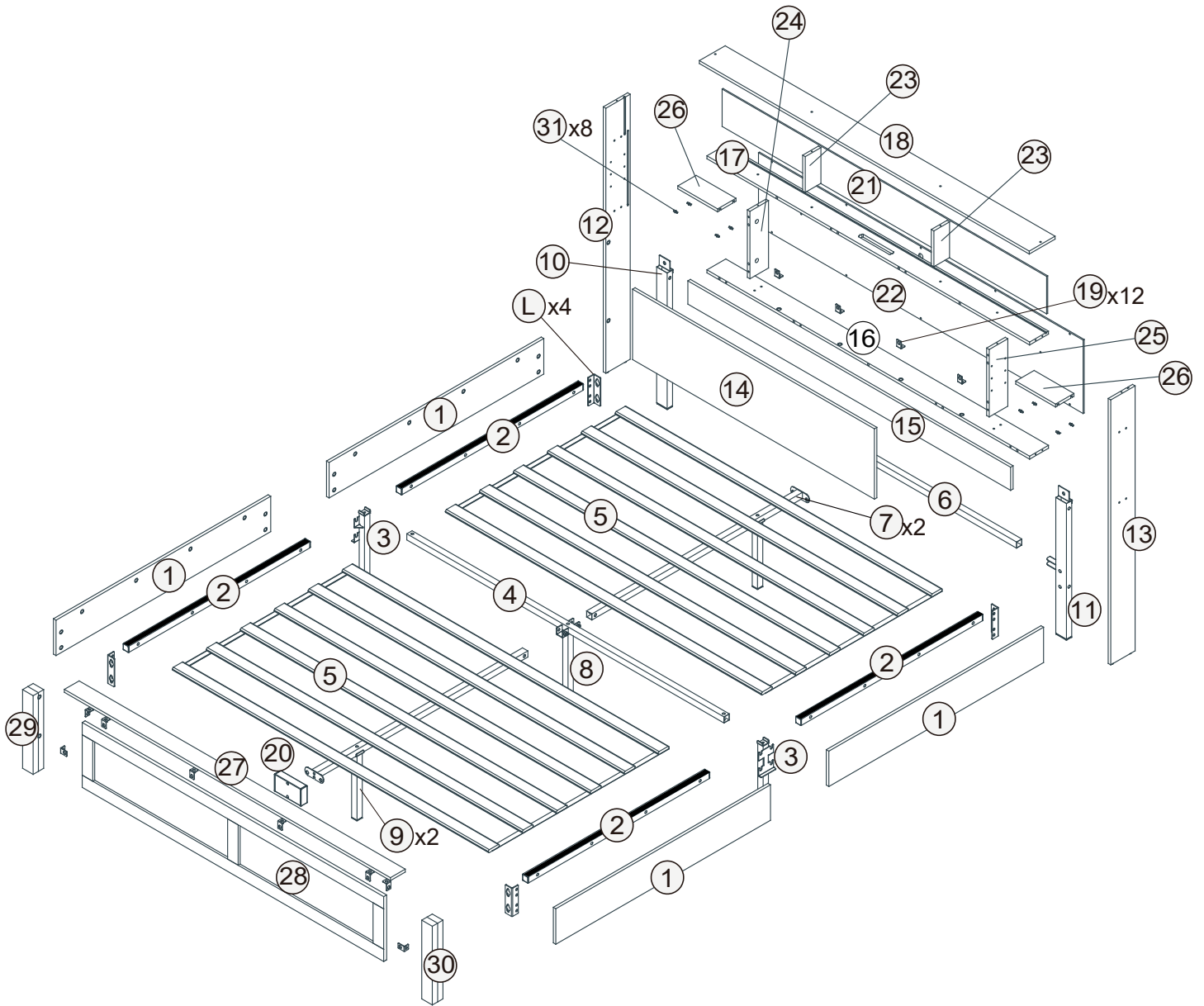


BED FRAME



Thank you for choosing our products, please assemble and use it following the instructions.

Assembly Instruction



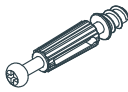
B626-F/Q/K

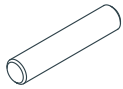
Important Note

HARDWARE NOTE :

1. Two or more people are required for assembly
2. Do not screw on the bolts too tight unless the installation is done. Make sure all bolts are tightly screwed before you use it.

 $\phi 15 \times 10$ • • • • • • • • • • **I** x13pcs

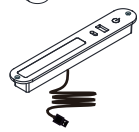
 $\phi 7 \times 40$ • • • • • • • • • • **J** x13pcs

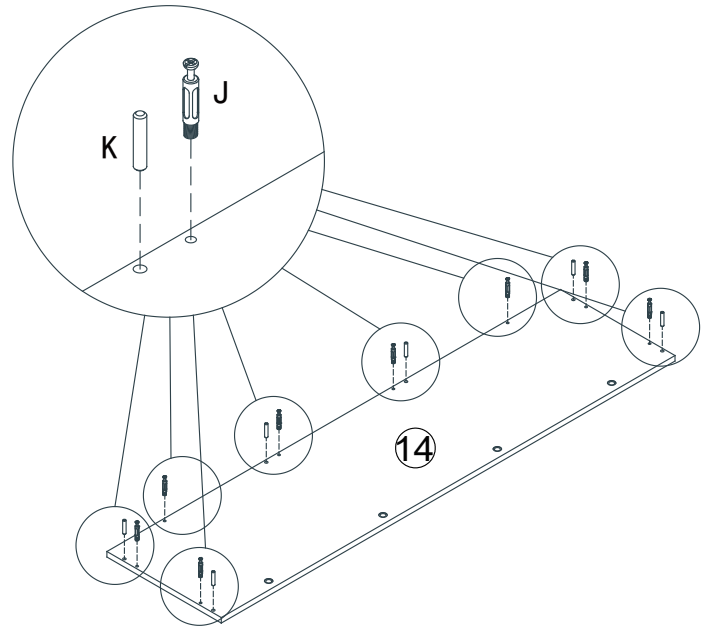
 $\phi 6 \times 30$ • • • • • • • • • • **K** x10pcs

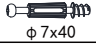
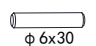
 M5 • • • • • • • • • • **M** x1pc

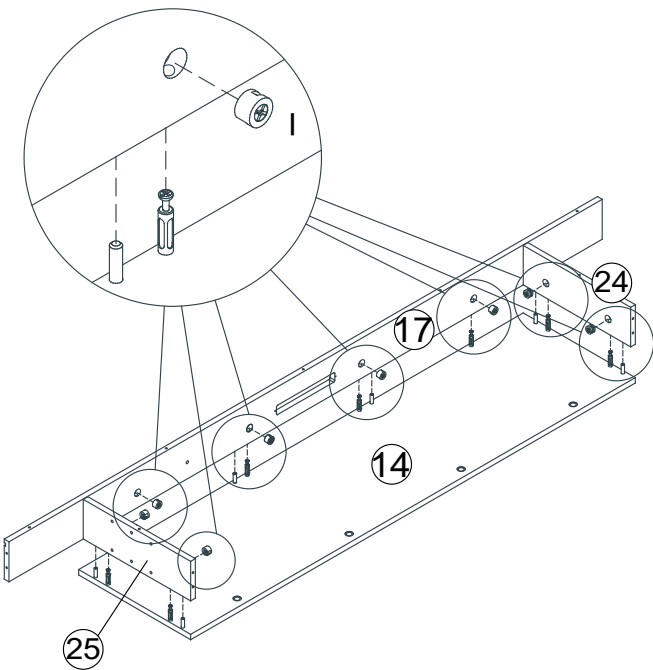
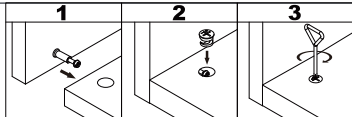
 M8 • • • • • • • • • • **N** x1pc

 • • • • • • • • • • **O** x1pc

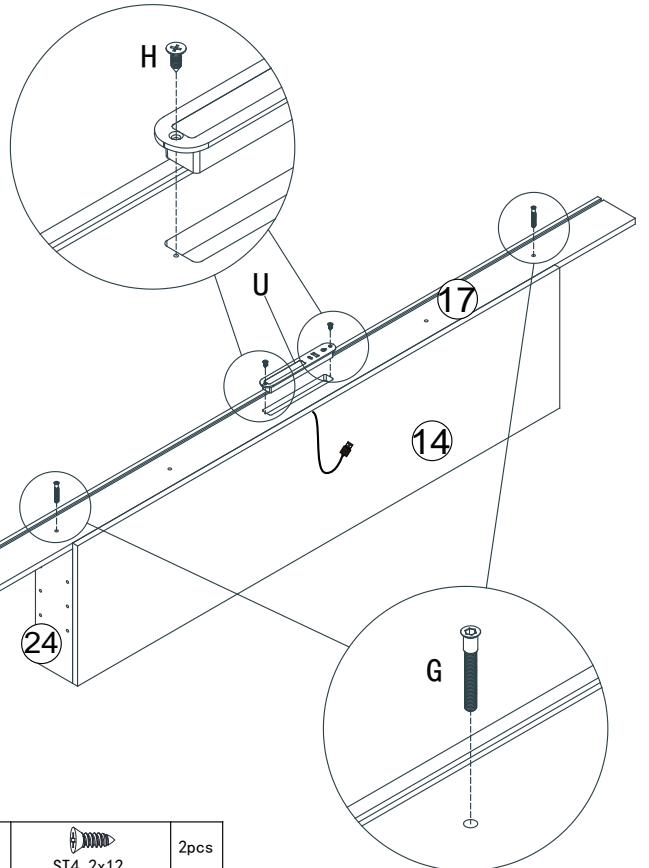
 • • • • • • • • • • **U** x1pc




J	 $\phi 7 \times 40$	8pcs
K	 $\phi 6 \times 30$	6pcs

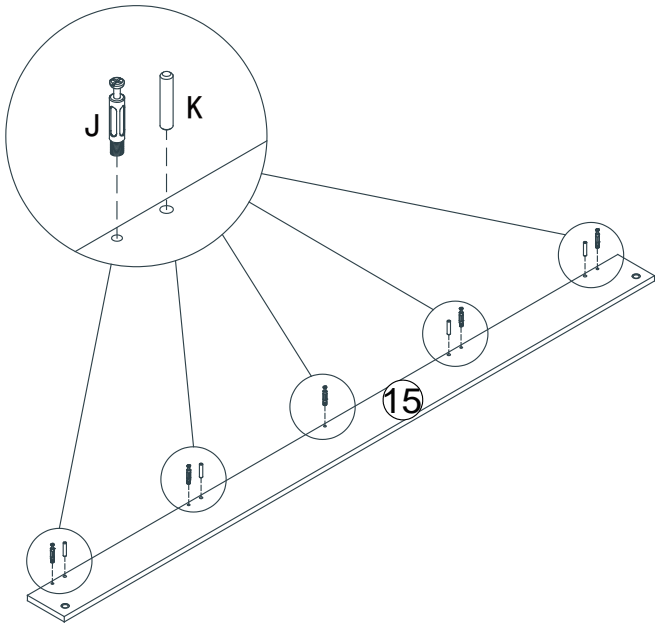


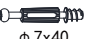
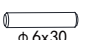
I	 $\phi 15 \times 10$	8pcs
----------	------------------------------------------------------------------------------------------------------------	------



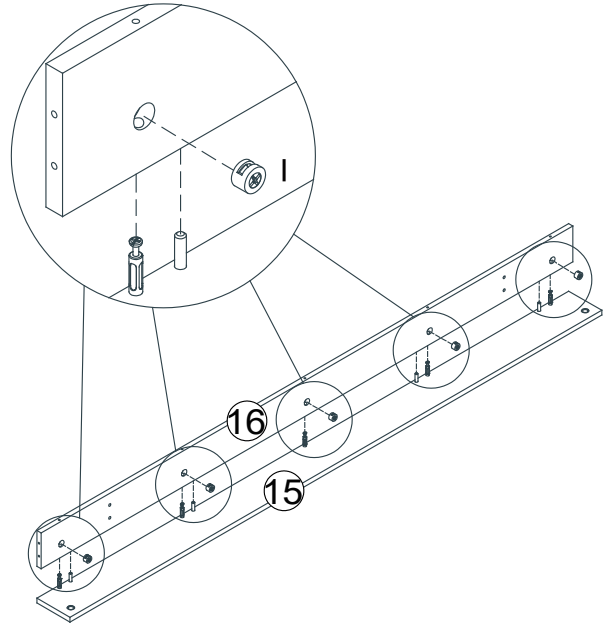
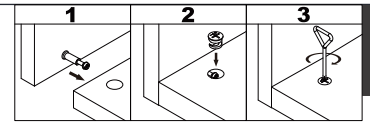
H	 ST4. 2x12	2pcs
G	 M5x40	2pcs

4



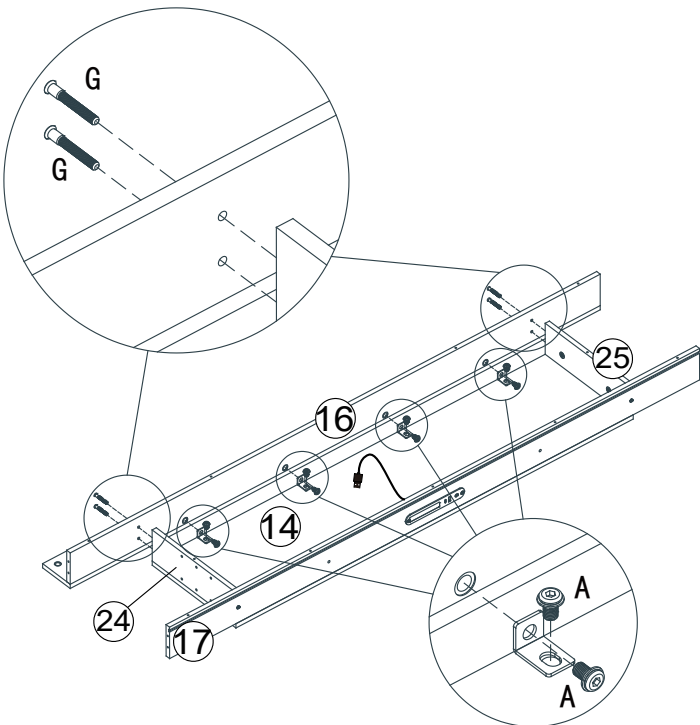
J		5pcs
K		4pcs



5



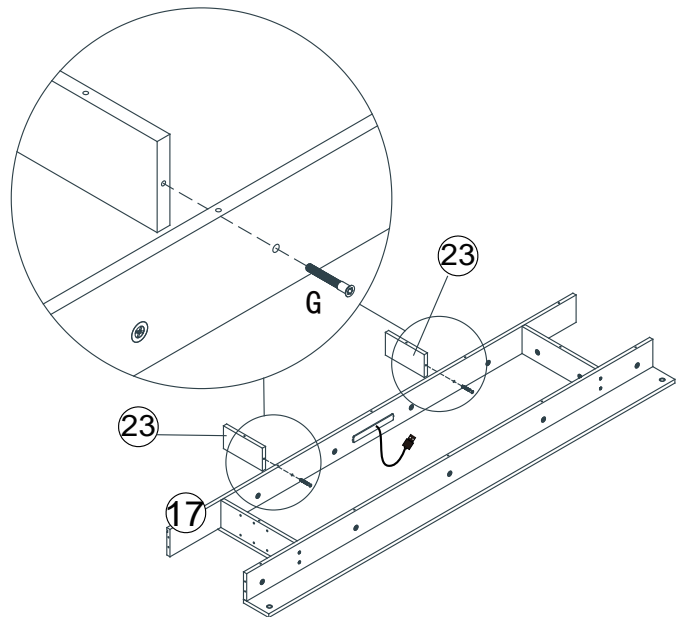
I		5pcs
---	--------------------------------------------------------------------------------------	------

6



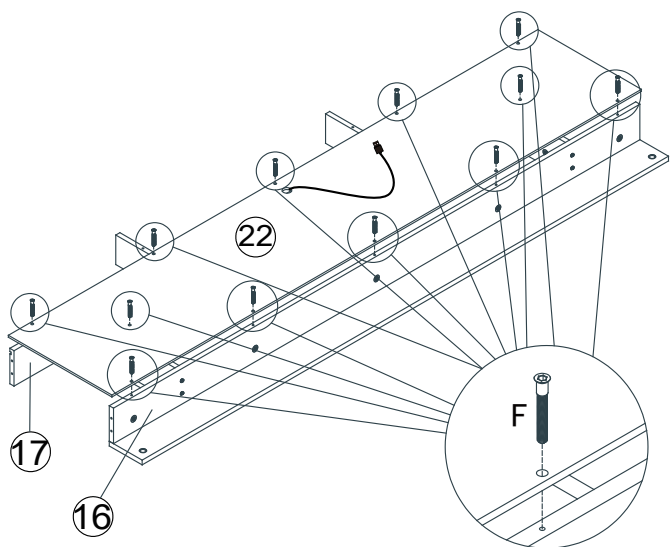
A		8pcs
G		4pcs

7



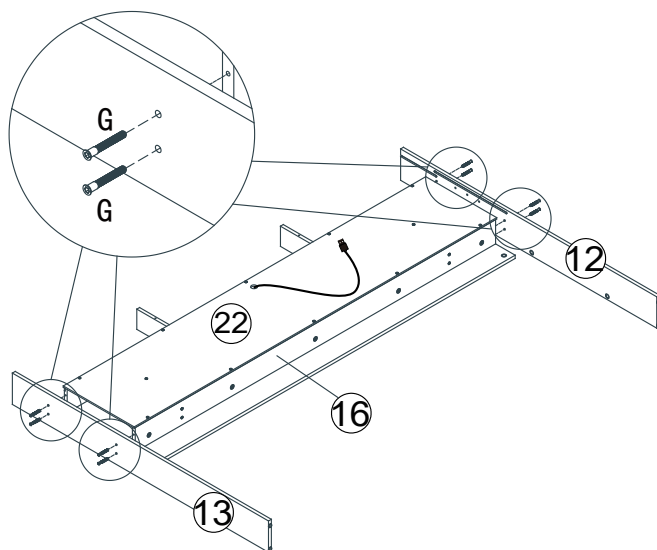
G		2pcs
---	-------------------------------------------------------------------------------------	------

8



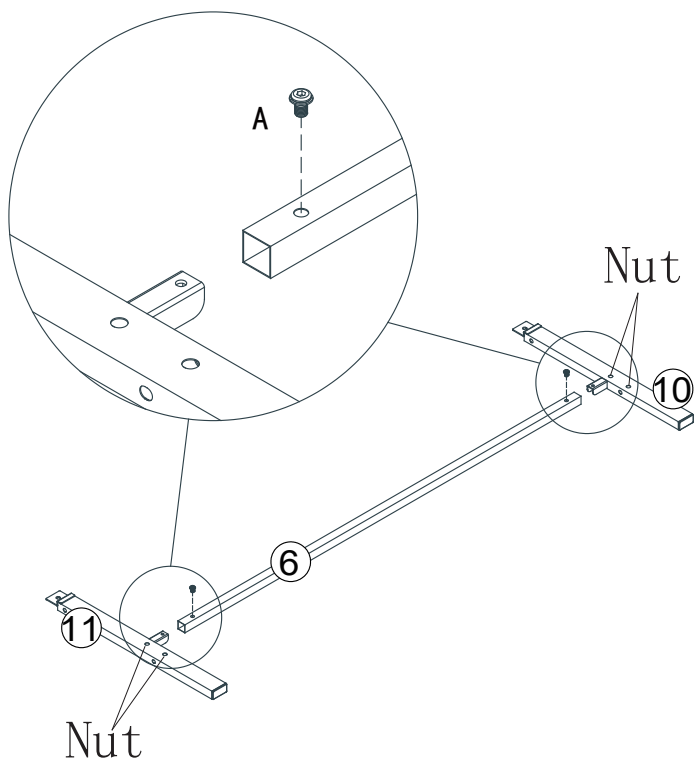
F		M5x30	12 pcs
---	-------------------------------------------------------------------------------------	-------	--------

9



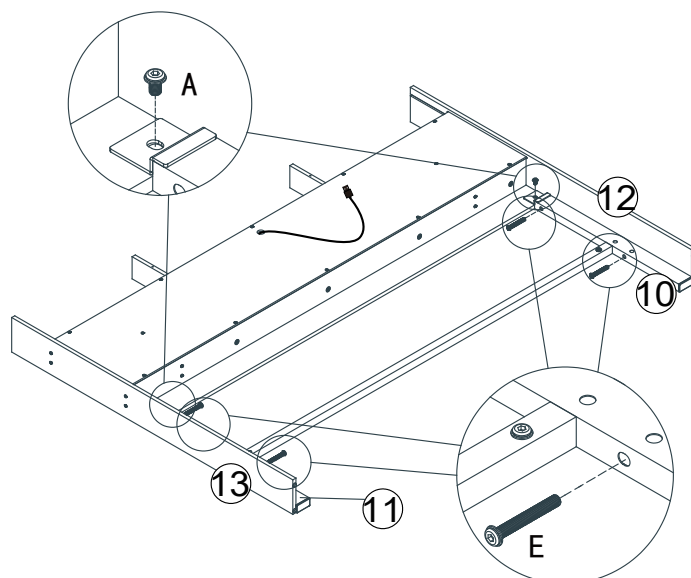
G		M5x40	8 pcs
---	-------------------------------------------------------------------------------------	-------	-------


10



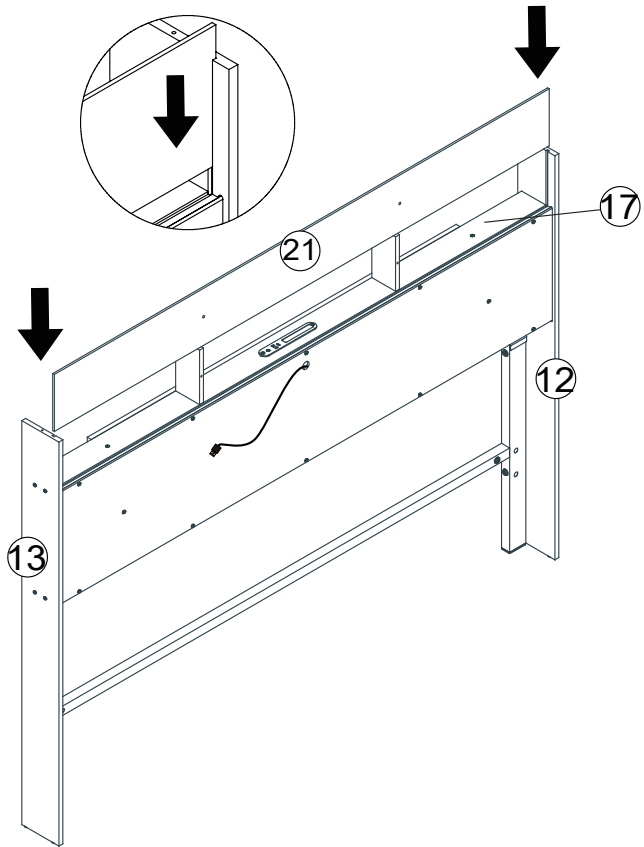
A		M8x12	2 pcs
---	-------------------------------------------------------------------------------------	-------	-------

11

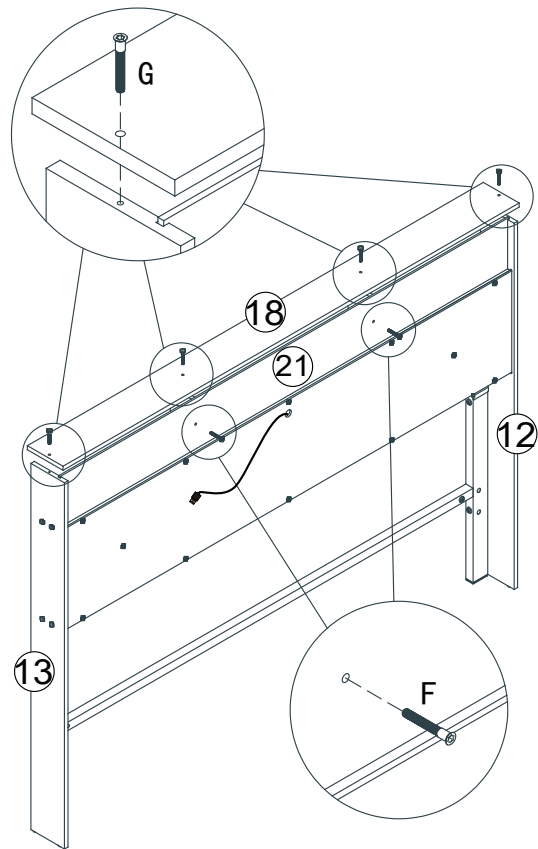




A		M8x12	2 pcs
E		M8x60	4 pcs

12

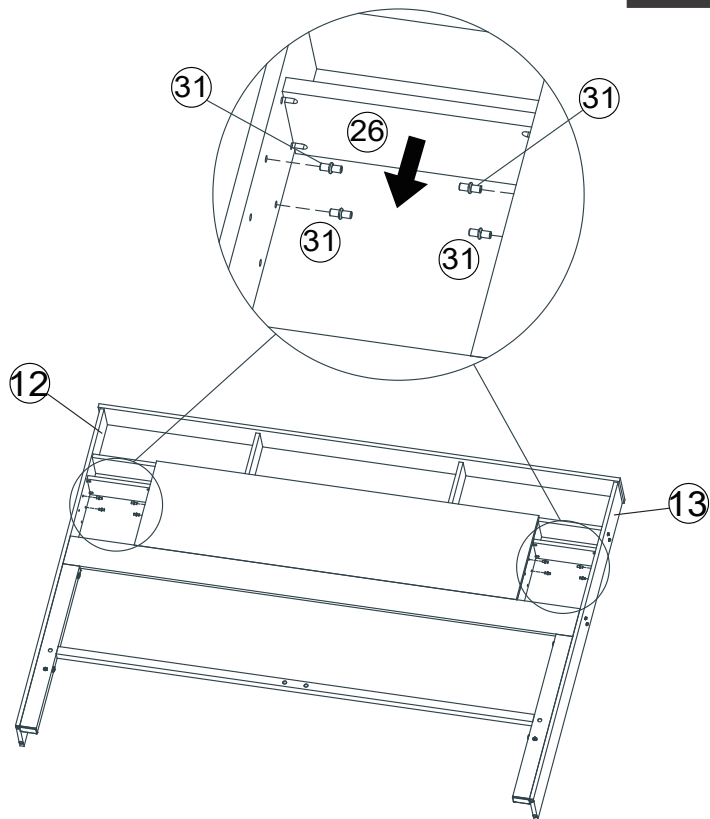


13

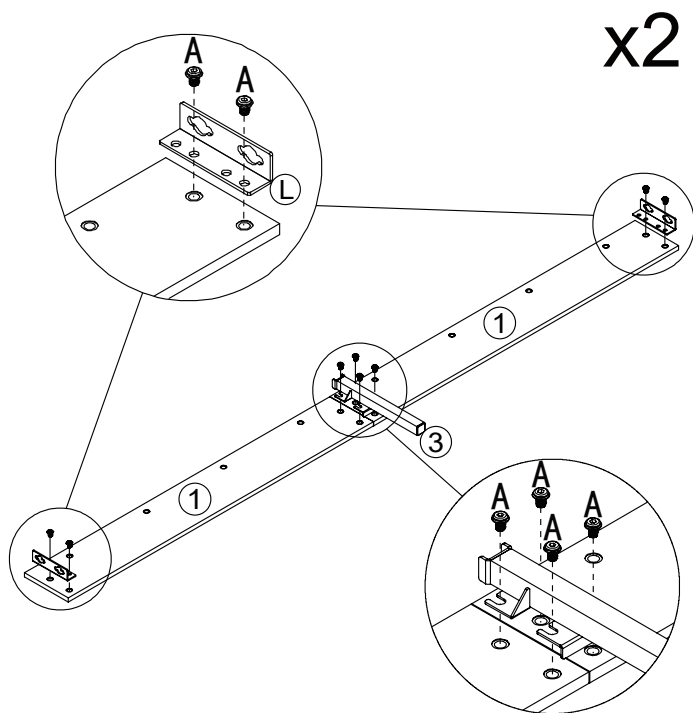


F	 M5x30	2 pcs
G	 M5x40	4 pcs

14



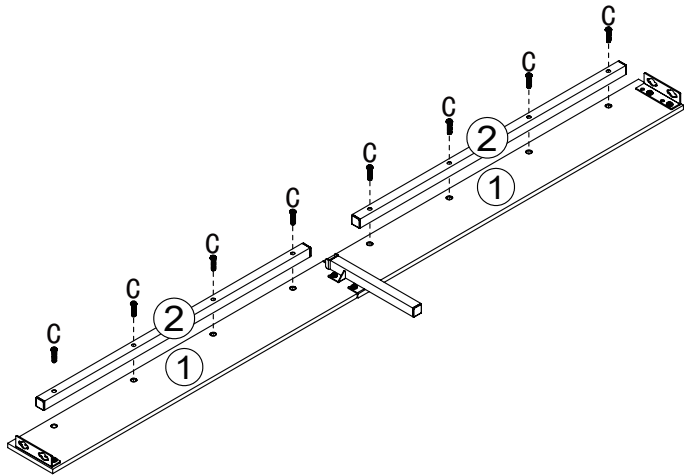
15



A	 M8x12	16 pcs
---	-------------------------------------------------------------------------------------------	--------

16

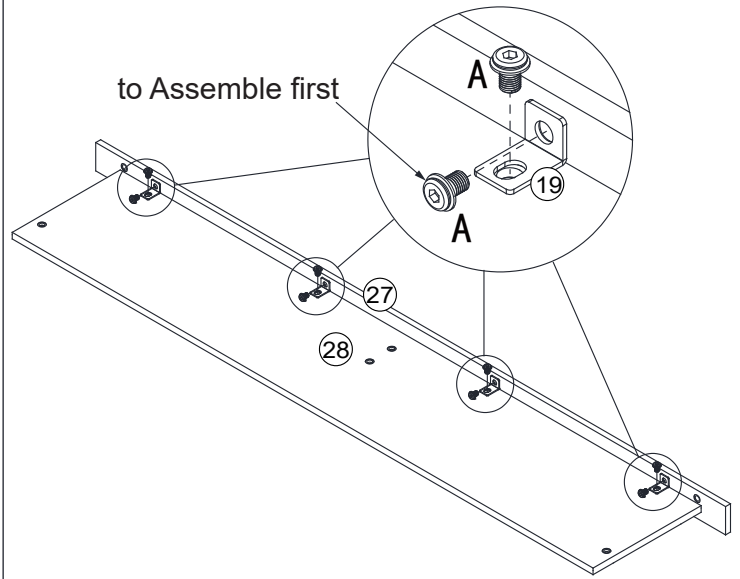
x2



C		M8x33	16 pcs
---	-------------------------------------------------------------------------------------	-------	--------

17

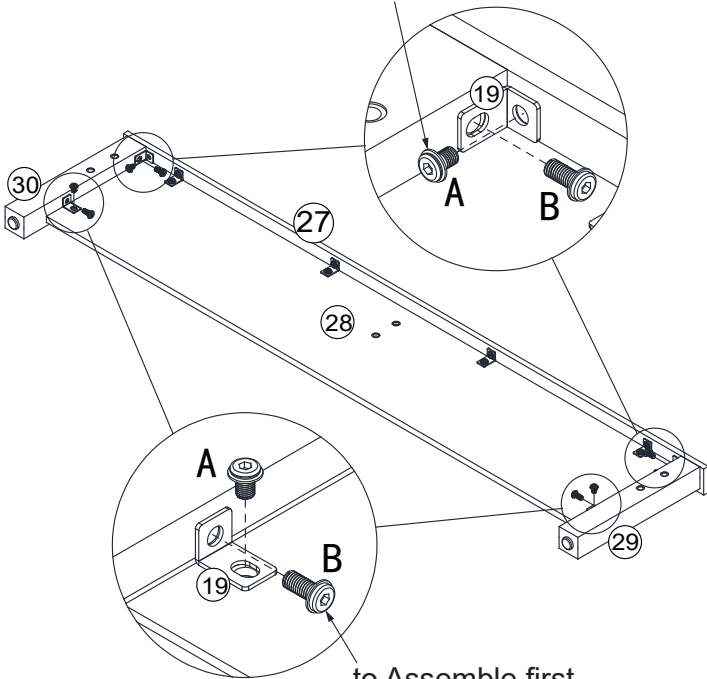
to Assemble first





A		M8x12	8 pcs
---	-------------------------------------------------------------------------------------	-------	-------

18

to Assemble first

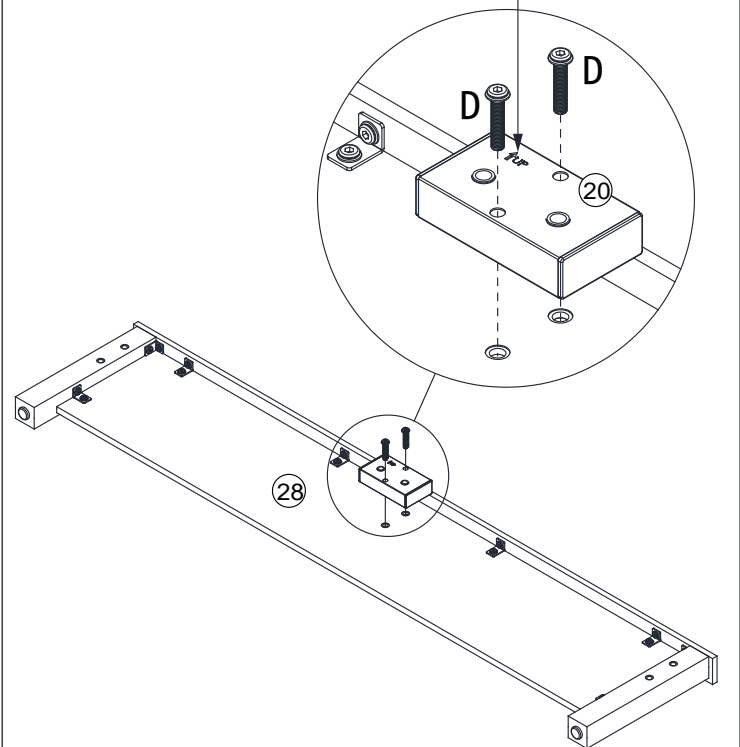



to Assemble first

A		M8x12	4 pcs
B		M8x18	4 pcs white zinc

19

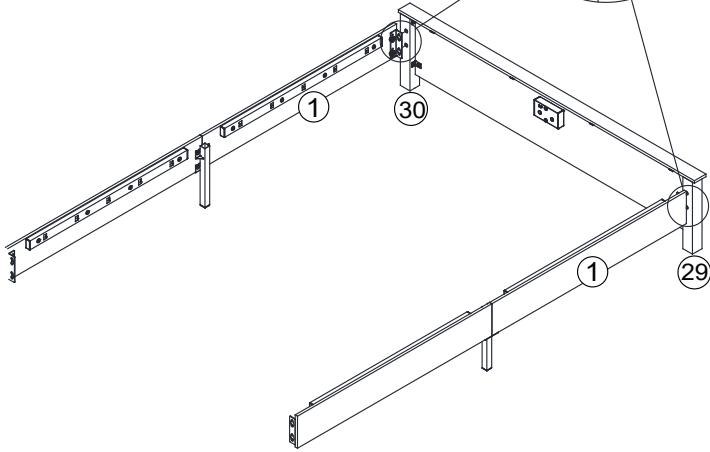
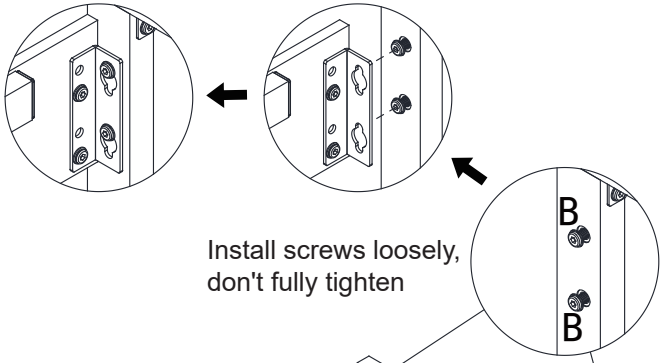
 The arrow points upwards.




D		M8x40	2 pcs white zinc
---	-------------------------------------------------------------------------------------	-------	------------------

20

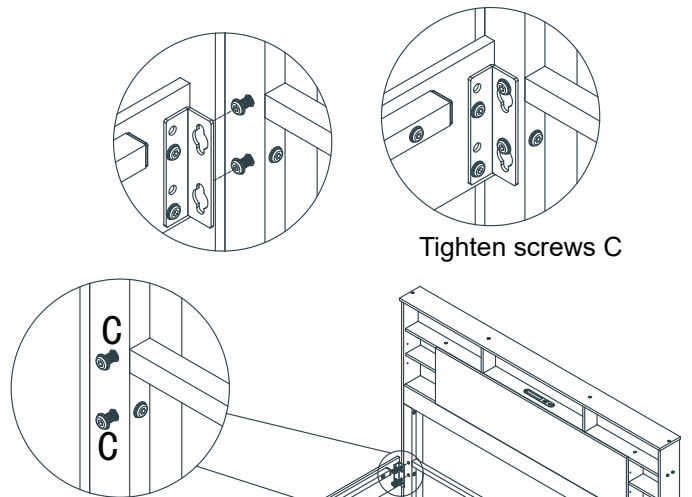
Tighten screws B



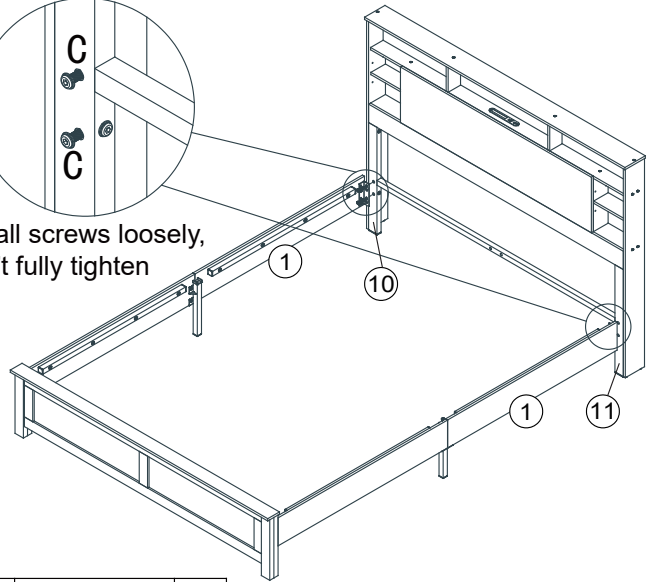
B		M8x18	4pcs	white zinc
---	-------------------------------------------------------------------------------------	-------	------	------------

21

Tighten screws C

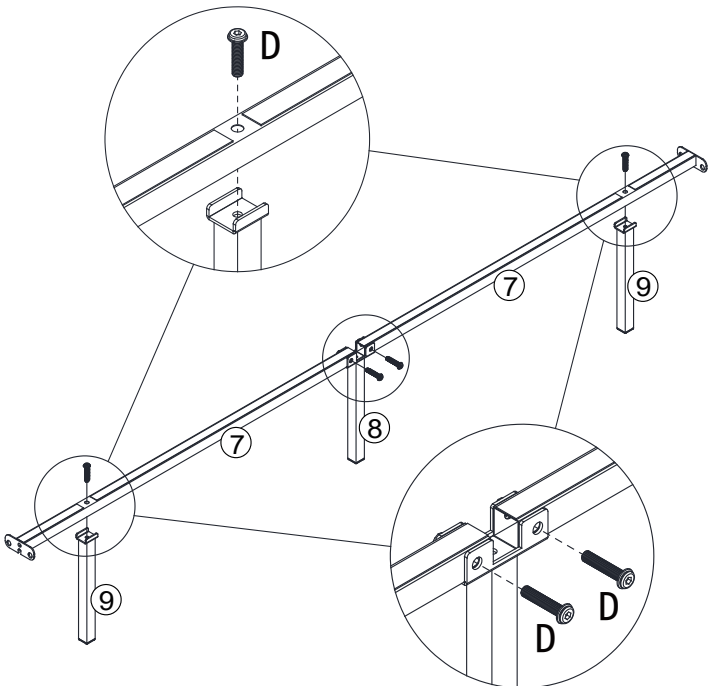


Install screws loosely, don't fully tighten



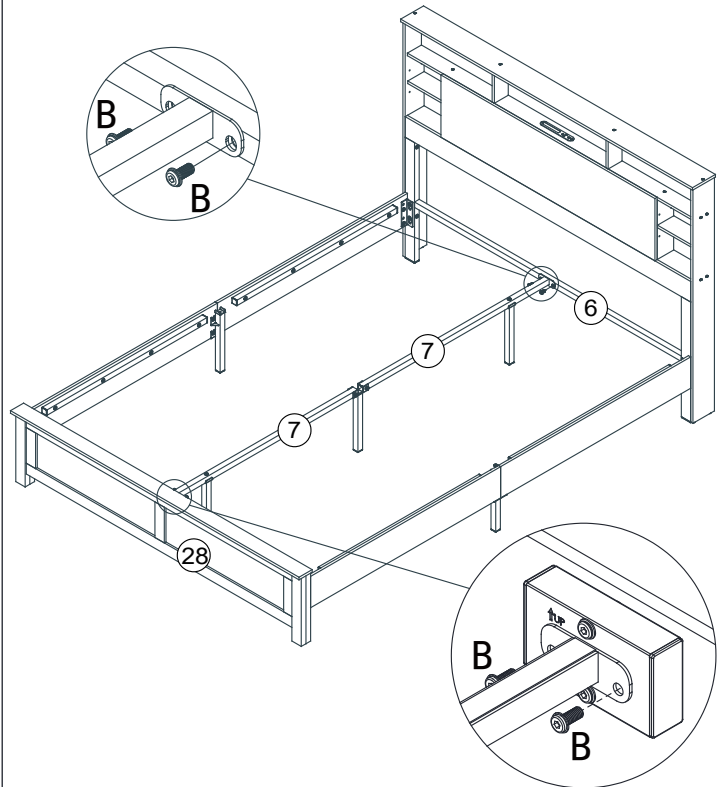
C		M8x33	4pcs	
---	-------------------------------------------------------------------------------------	-------	------	--

22

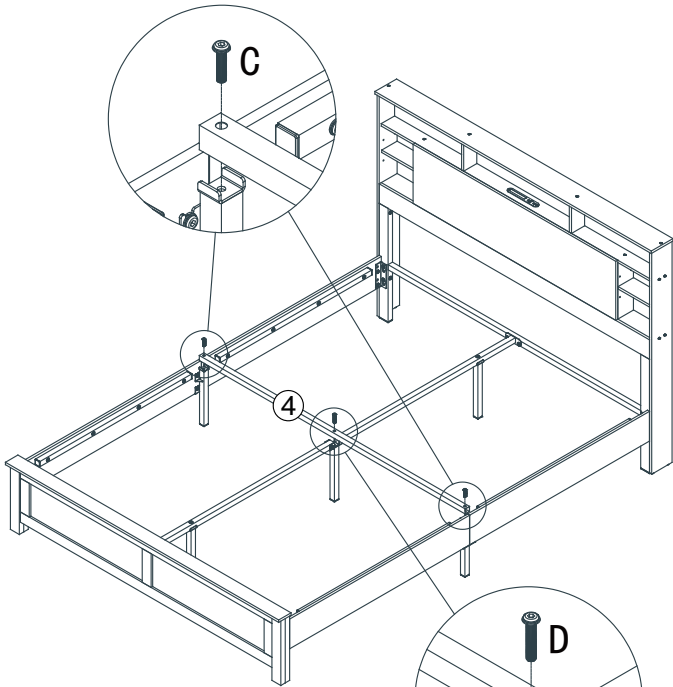




D		M8x40	4pcs	white zinc
---	-------------------------------------------------------------------------------------	-------	------	------------

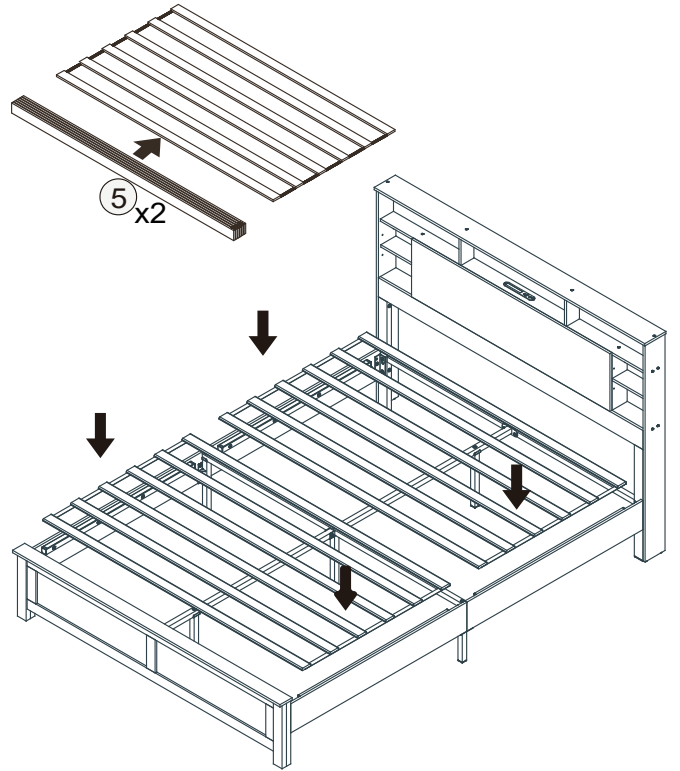
23



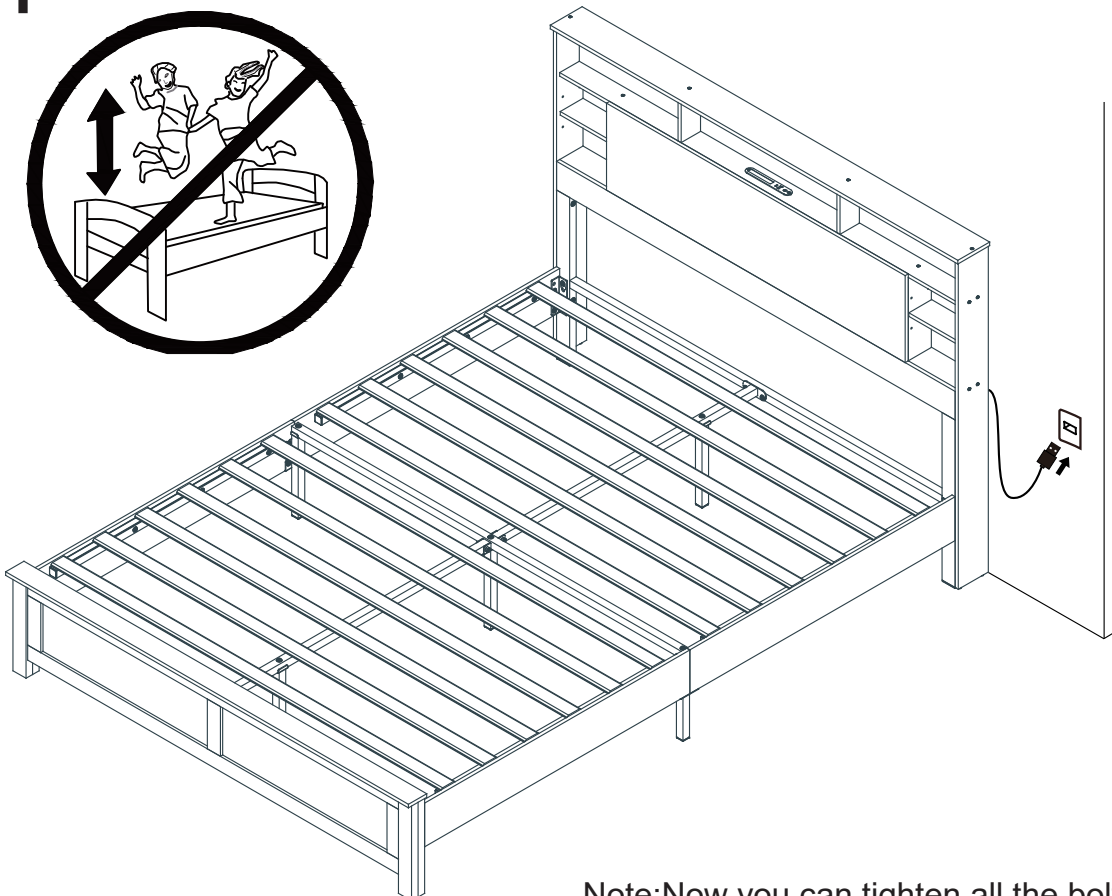
B		M8x18	4pcs	white zinc
---	-------------------------------------------------------------------------------------	-------	------	------------



C		M8x33	2 pcs
D		M8x40	1 pc white zinc



Finish



Note: Now you can tighten all the bolts.