

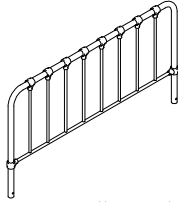
# ASSEMBLY INSTRUCTION

## QUEEN METAL BED

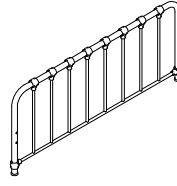
### PART LIST:



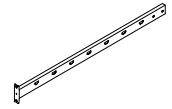
A:LSF / RSF HB Leg  
2PCS



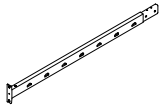
B:Headboard  
1PC



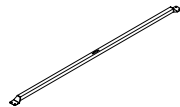
C:Footboard  
1PC



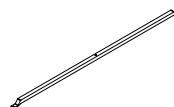
D:Side Rail  
2PCS



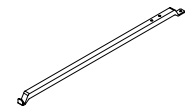
E:Side Rail  
2PCS



F:Center Cross Bar  
1PC



G:Side Cross Bar  
2PCS



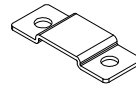
H:Center Rail  
Support Bar  
2PCS



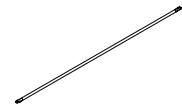
I:Center Slat  
Support Leg  
3PCS



J:Center Rail  
Support Leg  
2PCS



K:Bracket  
1PC



L:Slat  
14PCS

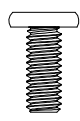


M:Slat Connector  
28PCS

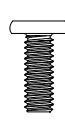
### HARDWARE LIST:



1: Bolt 1/4\*22mm  
X 16pcs



2: Bolt 5/16\*19mm  
X 8pcs



3: Bolt 1/4\*17.5mm  
X 6pcs



4: Bolt 1/4\*40mm  
X 4pcs



5: Nut 1/4  
X 4psc



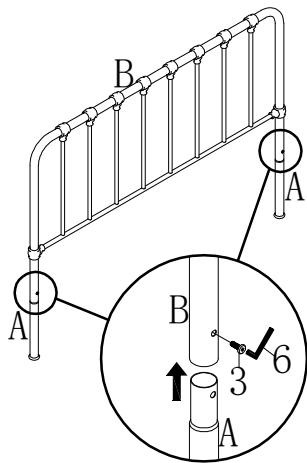
6: Allen Key  
X 1pc



7: Wrench  
X 1PC

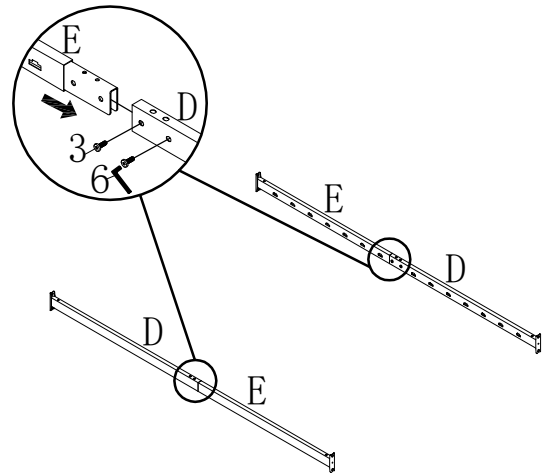
Note: Please do not tighten all bolts until the bed is assembled completely.

### STEP 1



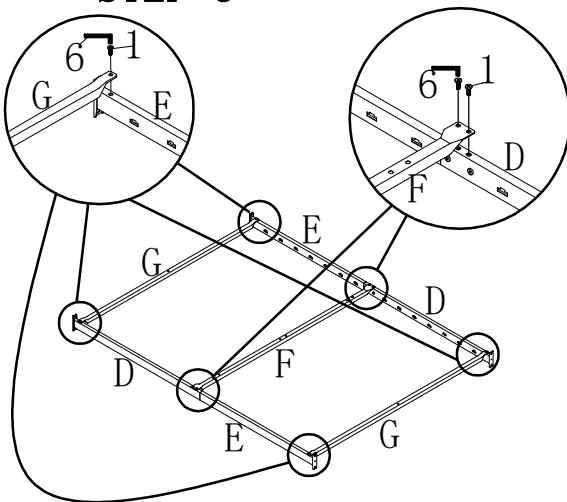
Hardware 3: 2 pcs

### STEP 2



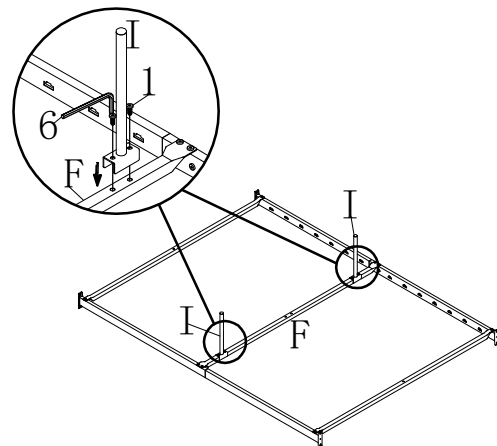
Hardware 3: 4 pcs

### STEP 3



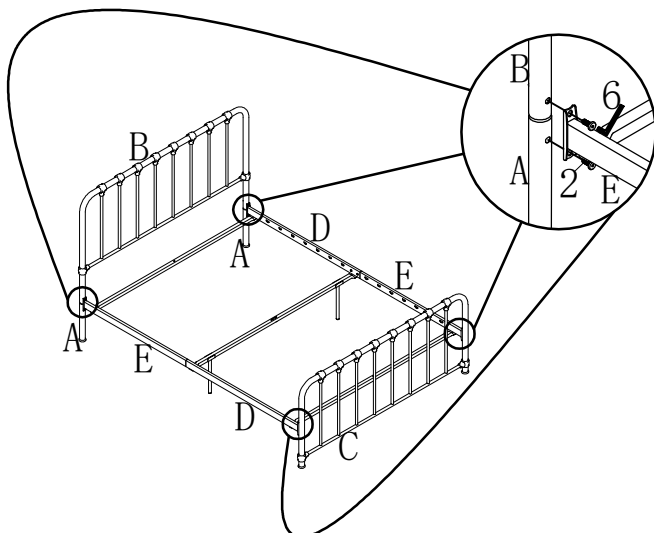
Hardware 1: 8 pcs

### STEP 4



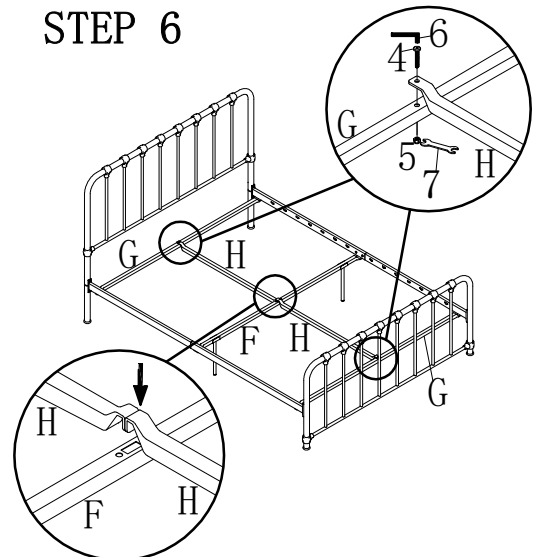
Hardware 1: 4 pcs

### STEP 5



Hardware 2: 8 pcs

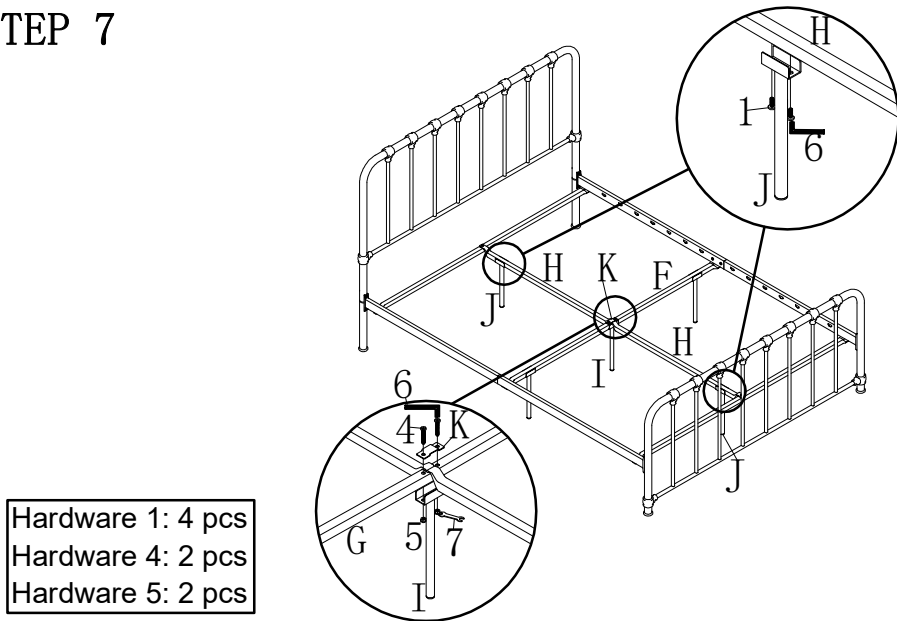
### STEP 6



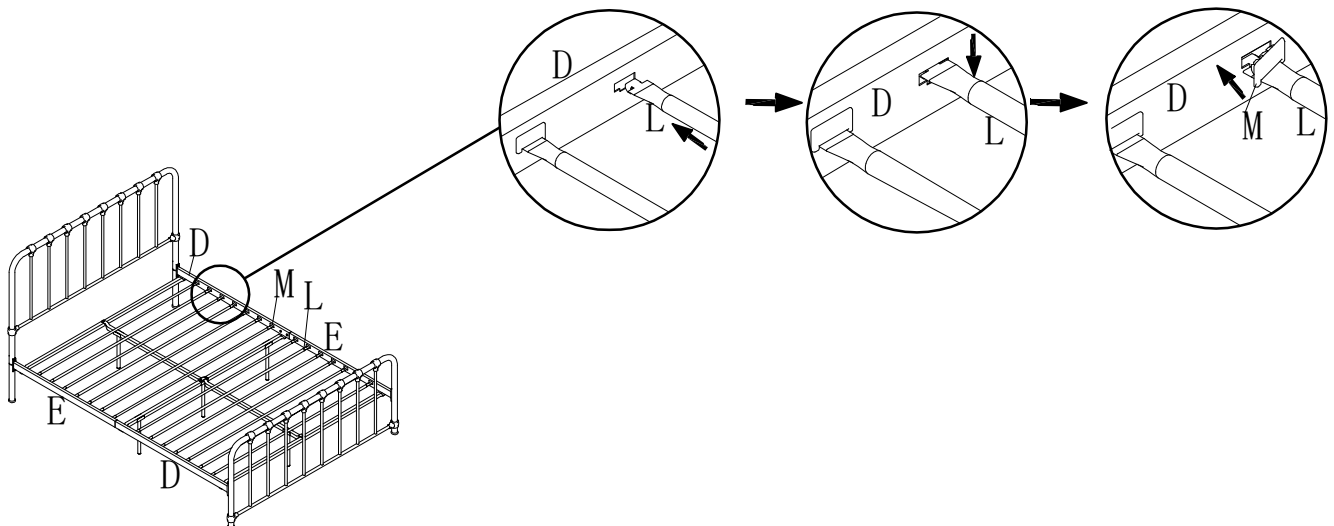
Hardware 4: 2 pcs  
Hardware 5: 2 pcs

Note: Please do not tighten all bolts until the bed is assembled completely.

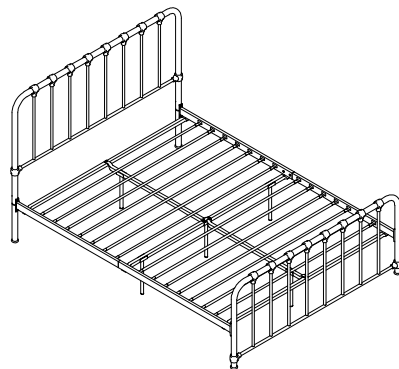
### STEP 7



### STEP 8



COMPLETED



For items use on wooden floor, hard surfaces or carpets, it is recommended to install protective pads under all legs and supports to avoid/prevent from damages/scratches and discoloration.