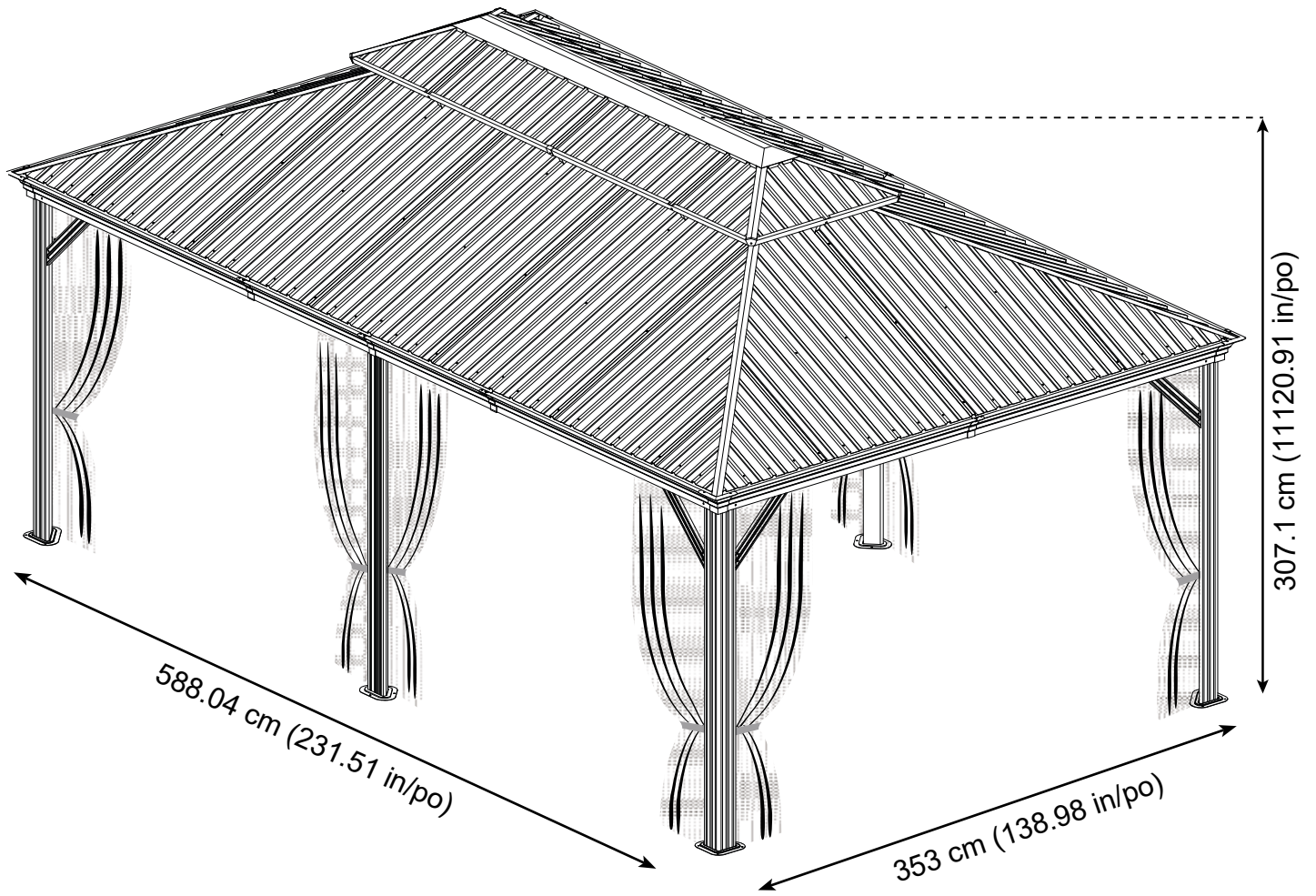


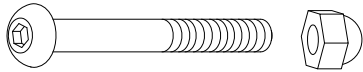
HARDTOP GAZEBO-TA58-12x20ft

MJPC16B

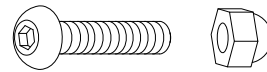




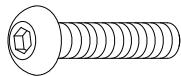
S X 22 (EXTRA 2 pcs)



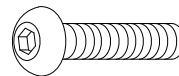
T X 96 (EXTRA 9 pcs)



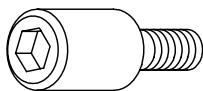
U X 29 (EXTRA 3 pcs)



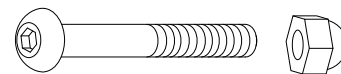
V X 334 (EXTRA 10 pcs)



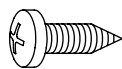
X X 16 (EXTRA 2 pcs)



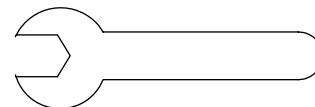
X1 X 10 (EXTRA 2 pcs)



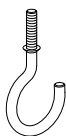
Y X 32 (EXTRA 5 pcs)



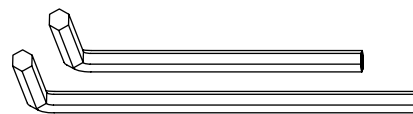
W2 X 1

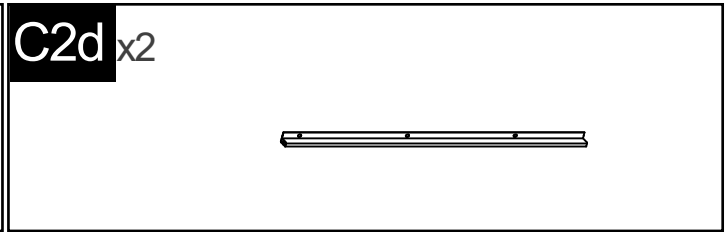
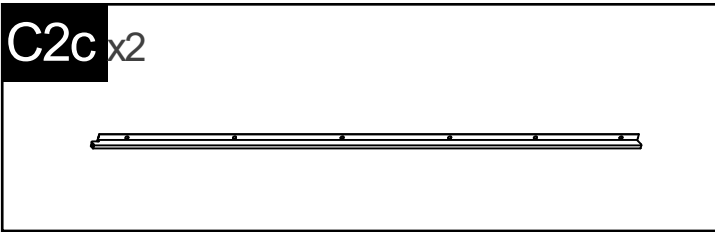
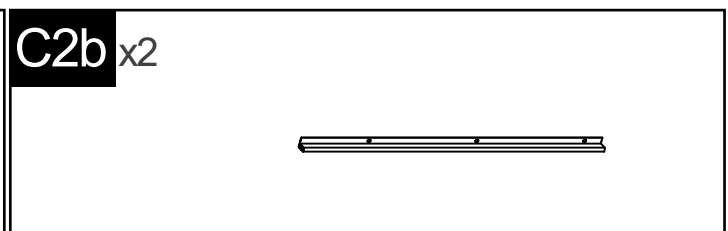
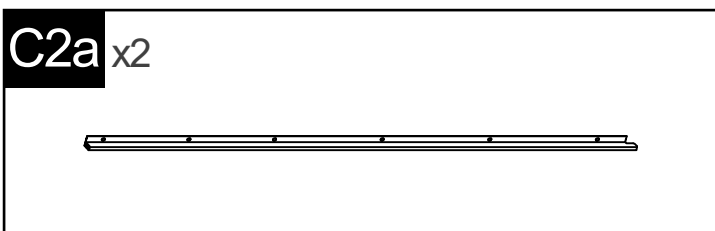
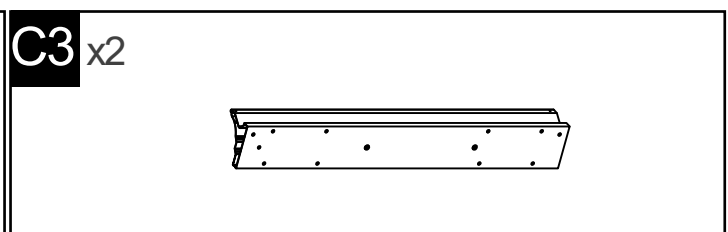
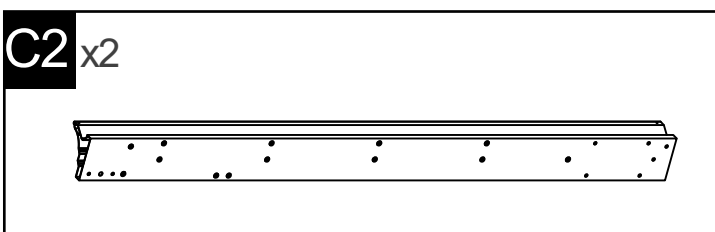
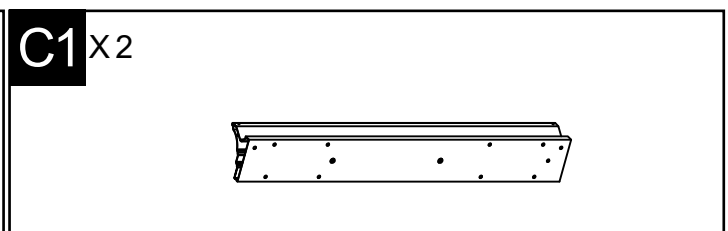
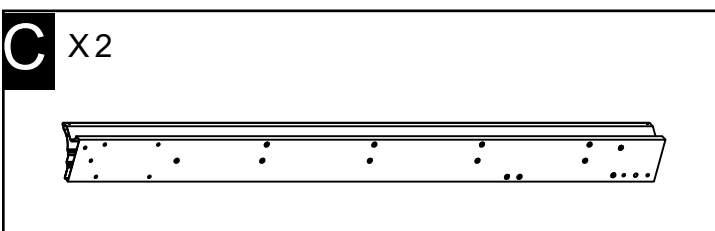
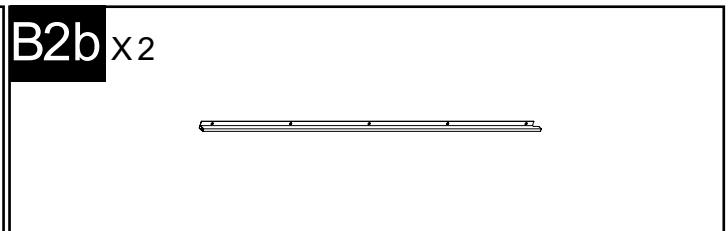
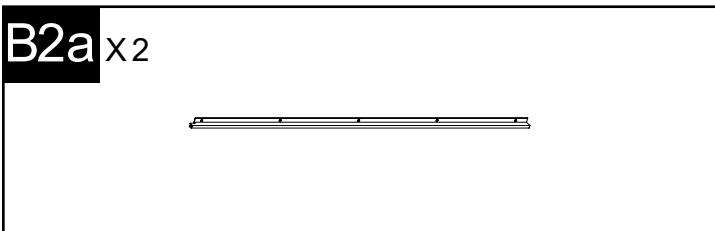
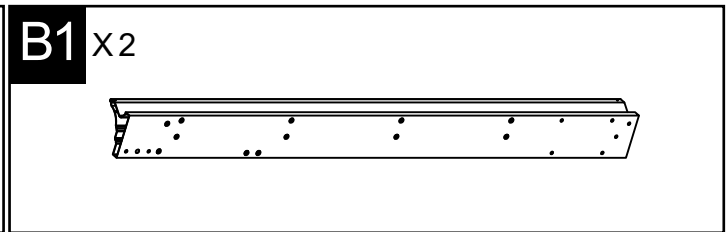
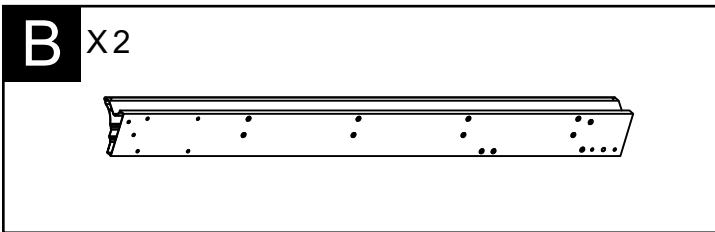
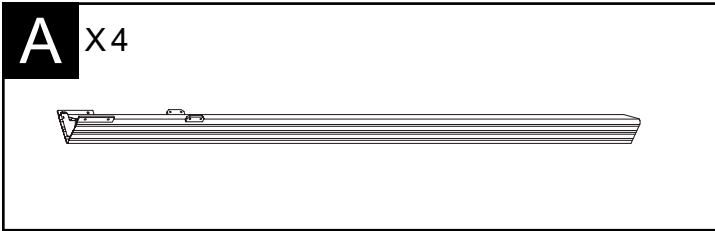


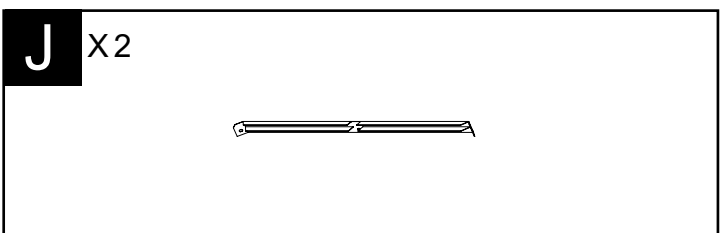
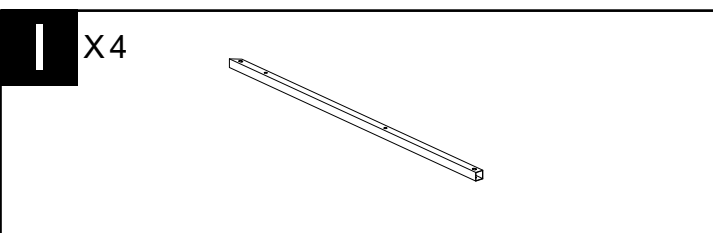
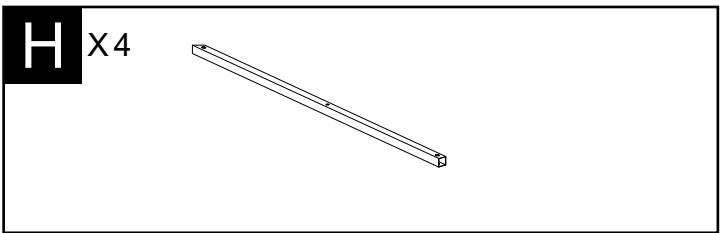
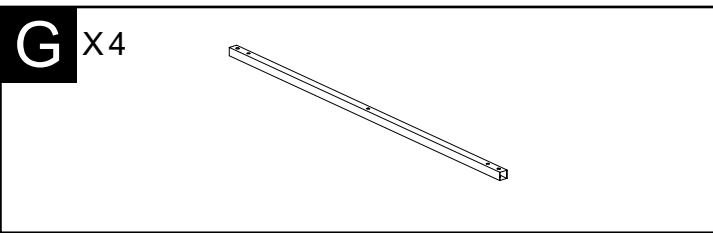
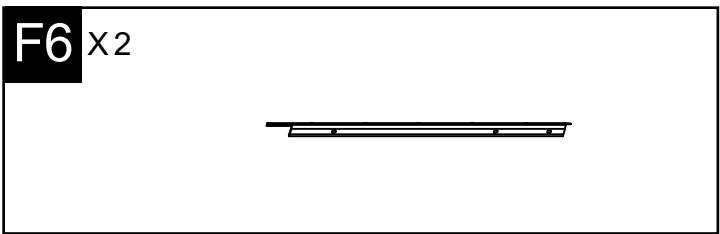
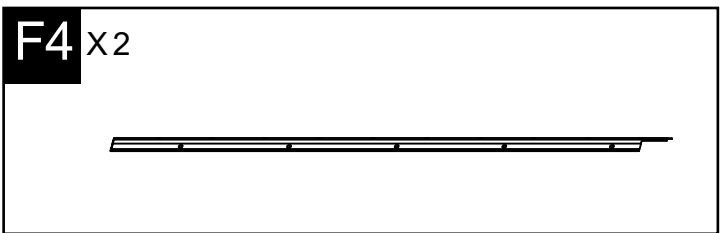
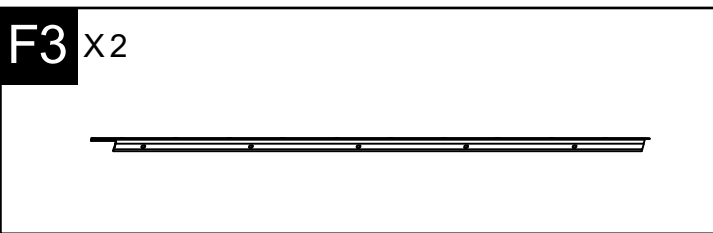
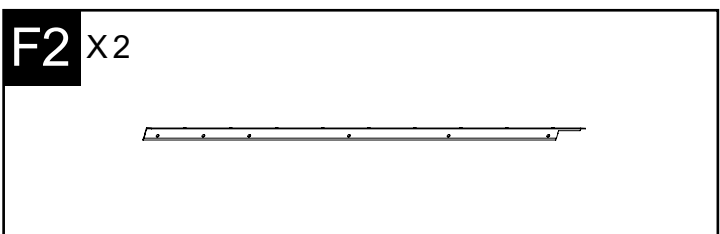
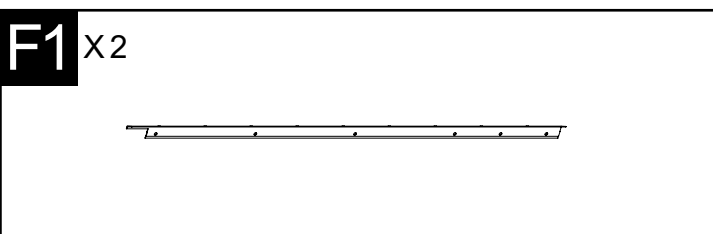
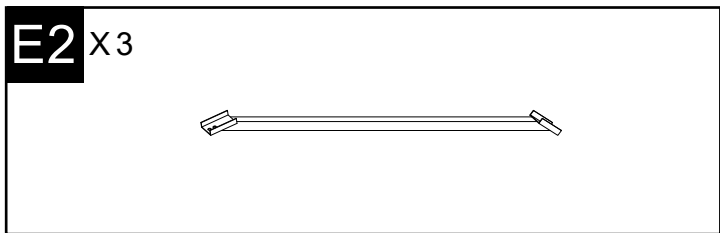
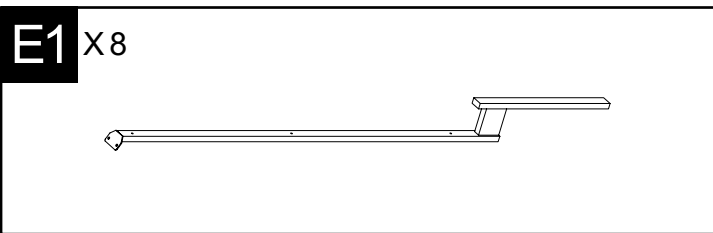
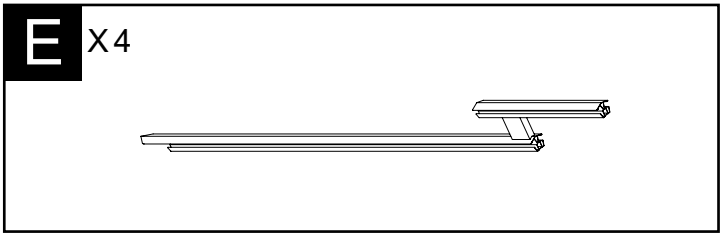
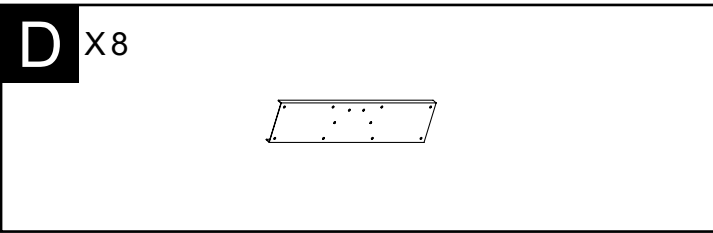
Wa X 3



Z X 1







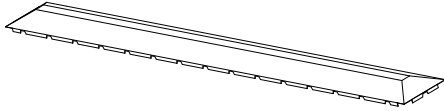
J1 X2



J2 X2



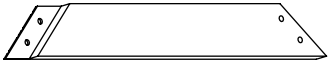
K X1



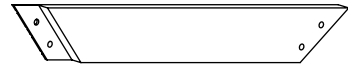
K1 X1



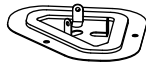
L1 X4



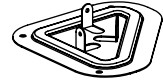
L2 X4



M X2



M1 X4



M2 X8



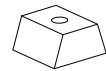
M3 X8



M4 X4



M5 X 136



Q1 X8



R1 X2



R2 X2



R3 X2



W X4

W1 X8

W3 X2

D1 X12(EXTRA 1 pcs)

R X 76(EXTRA 2 pcs)

Net x4

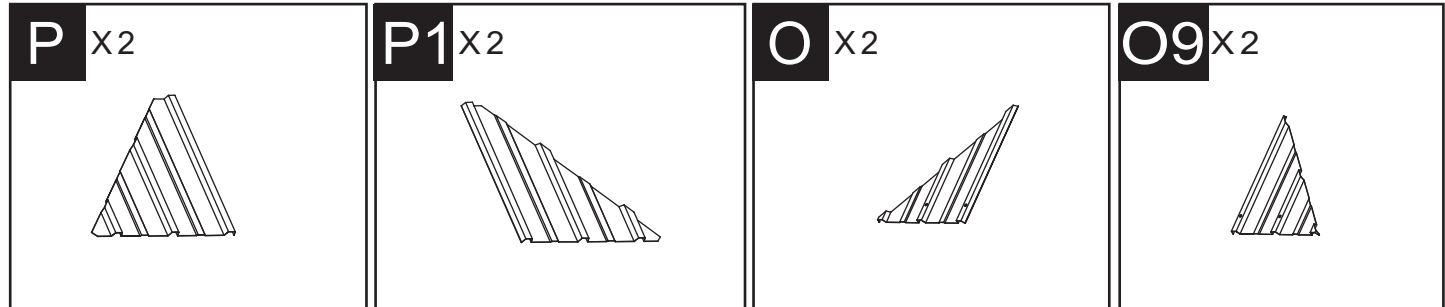
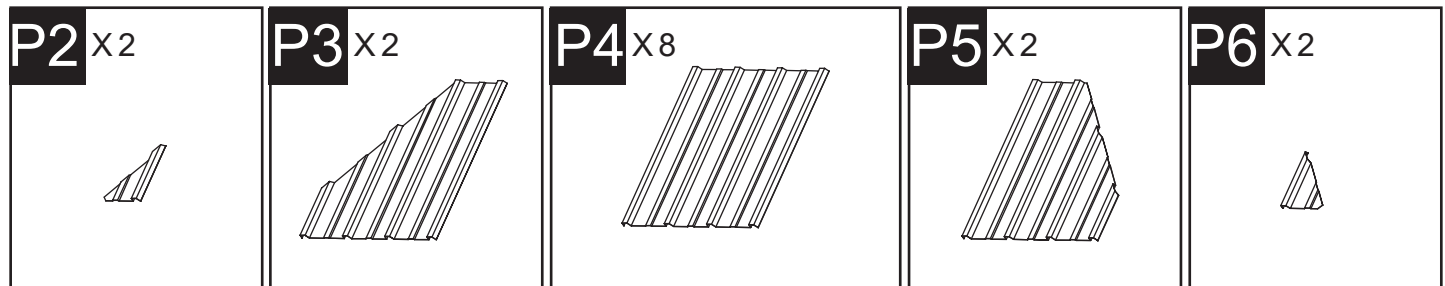
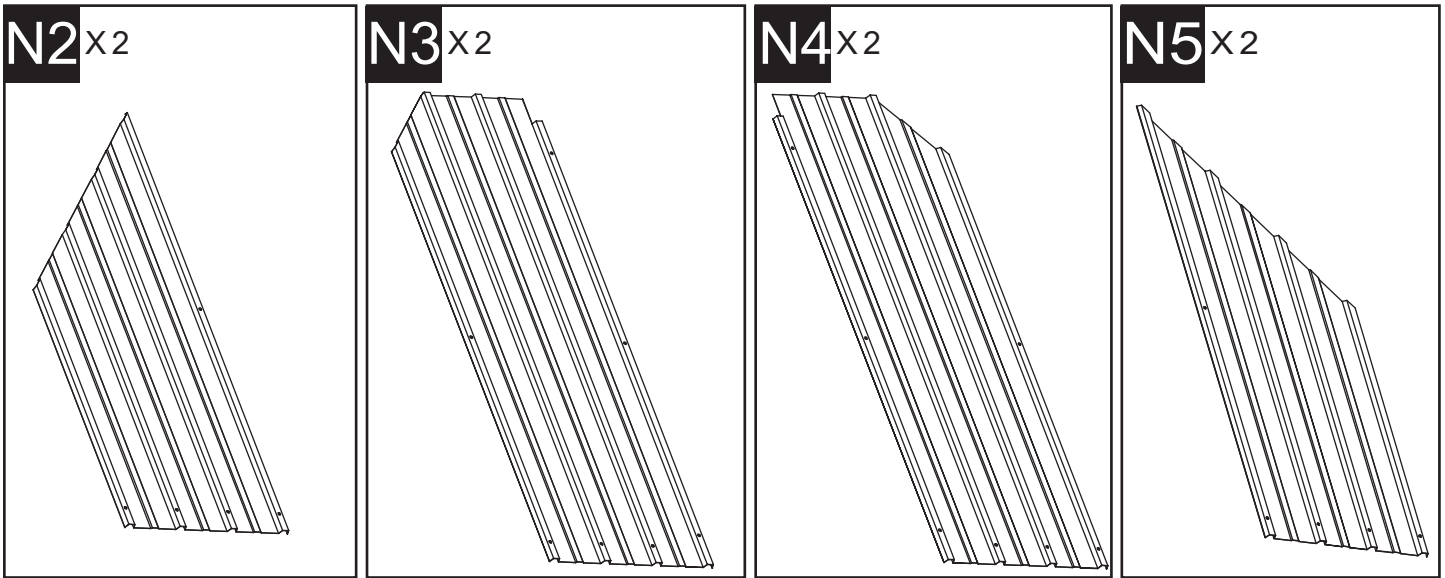
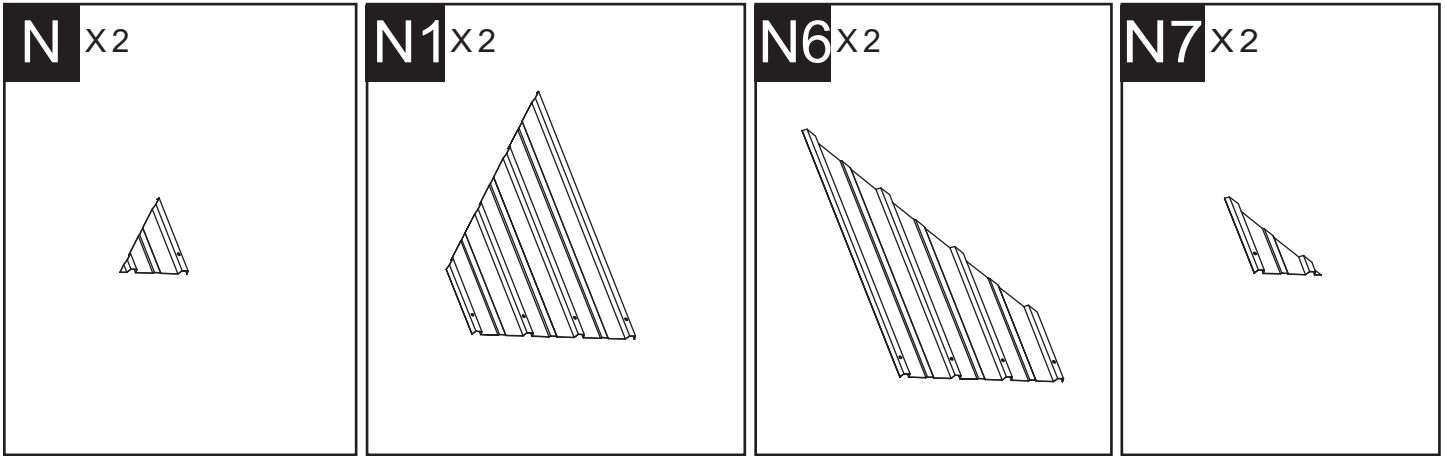
Curtain Optional

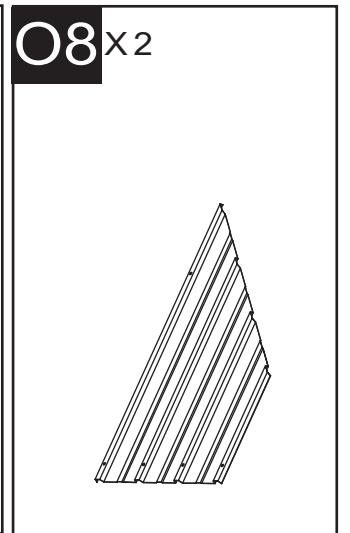
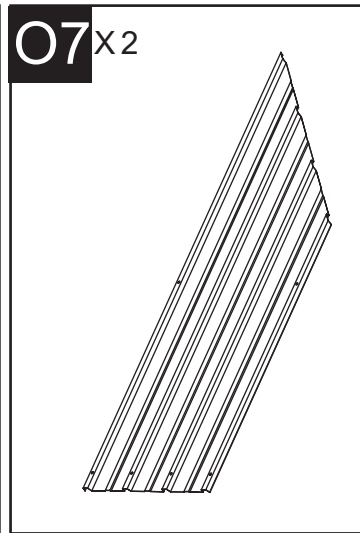
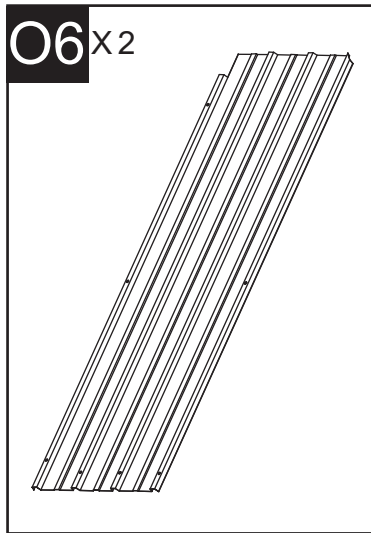
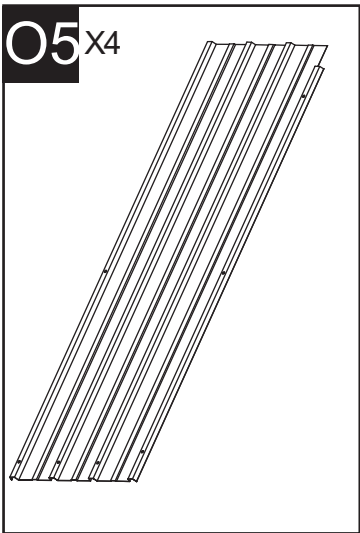
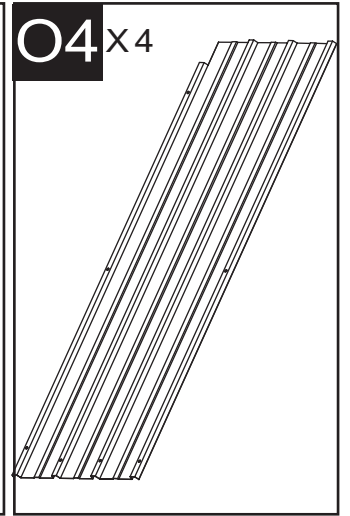
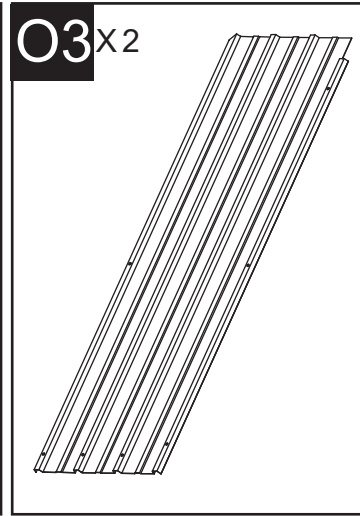
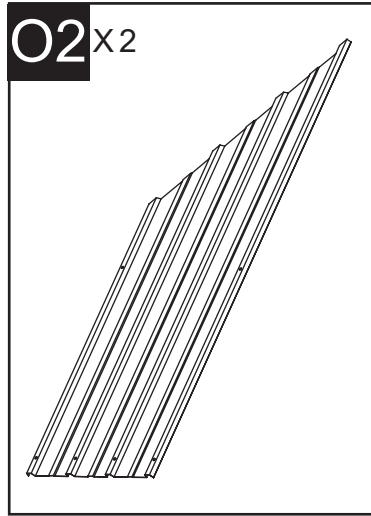
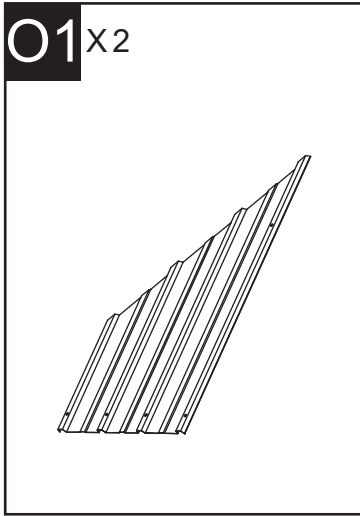
ZS4 X2

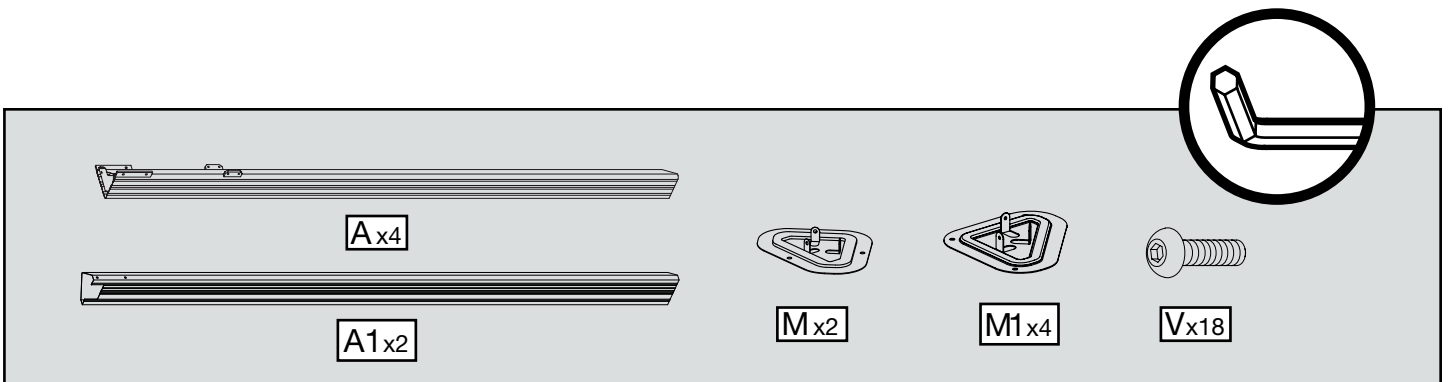
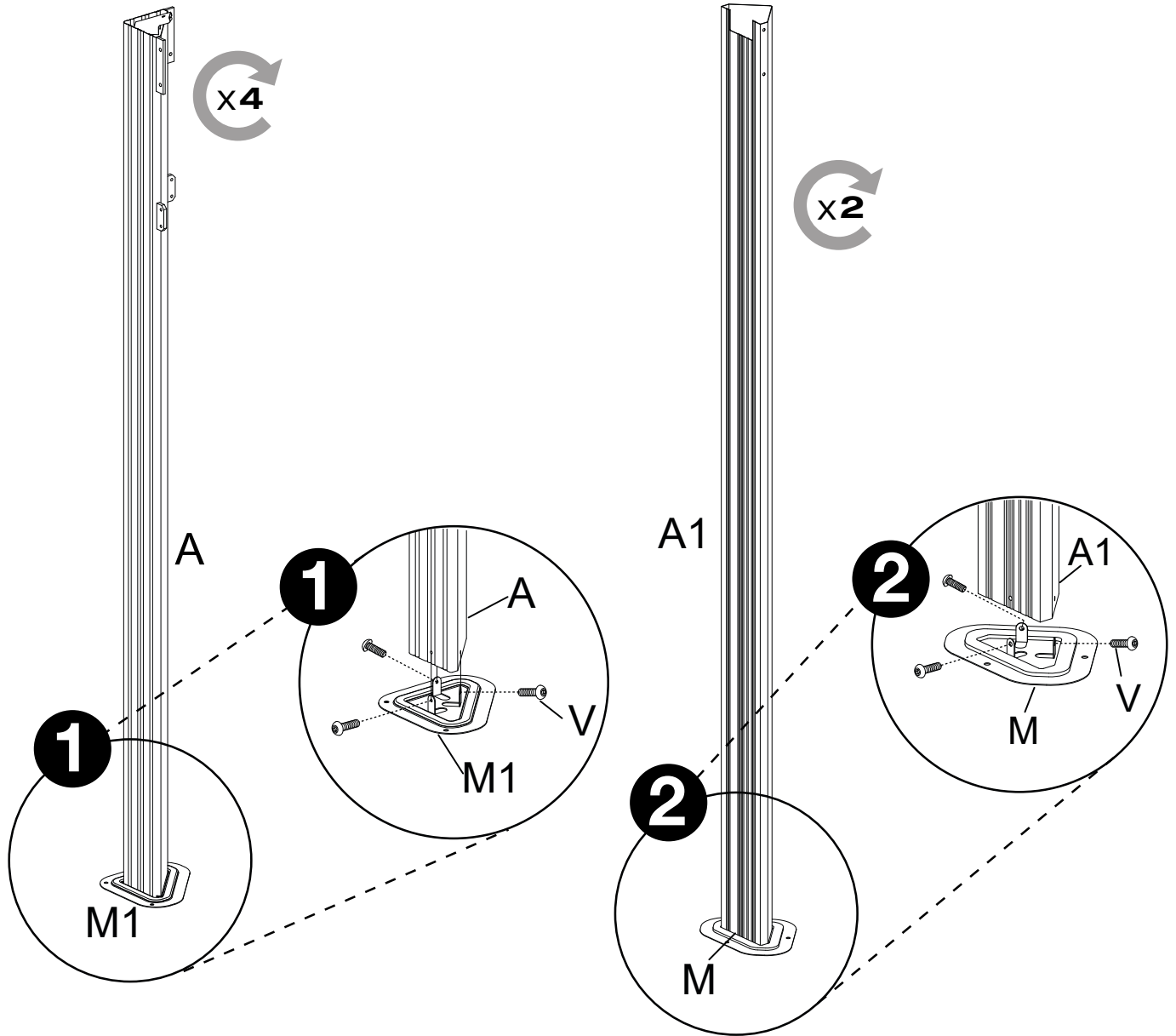
ZS5 X2

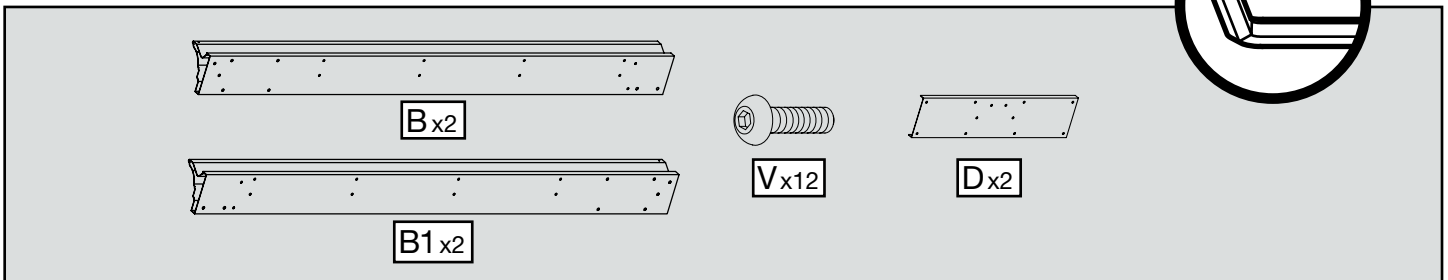
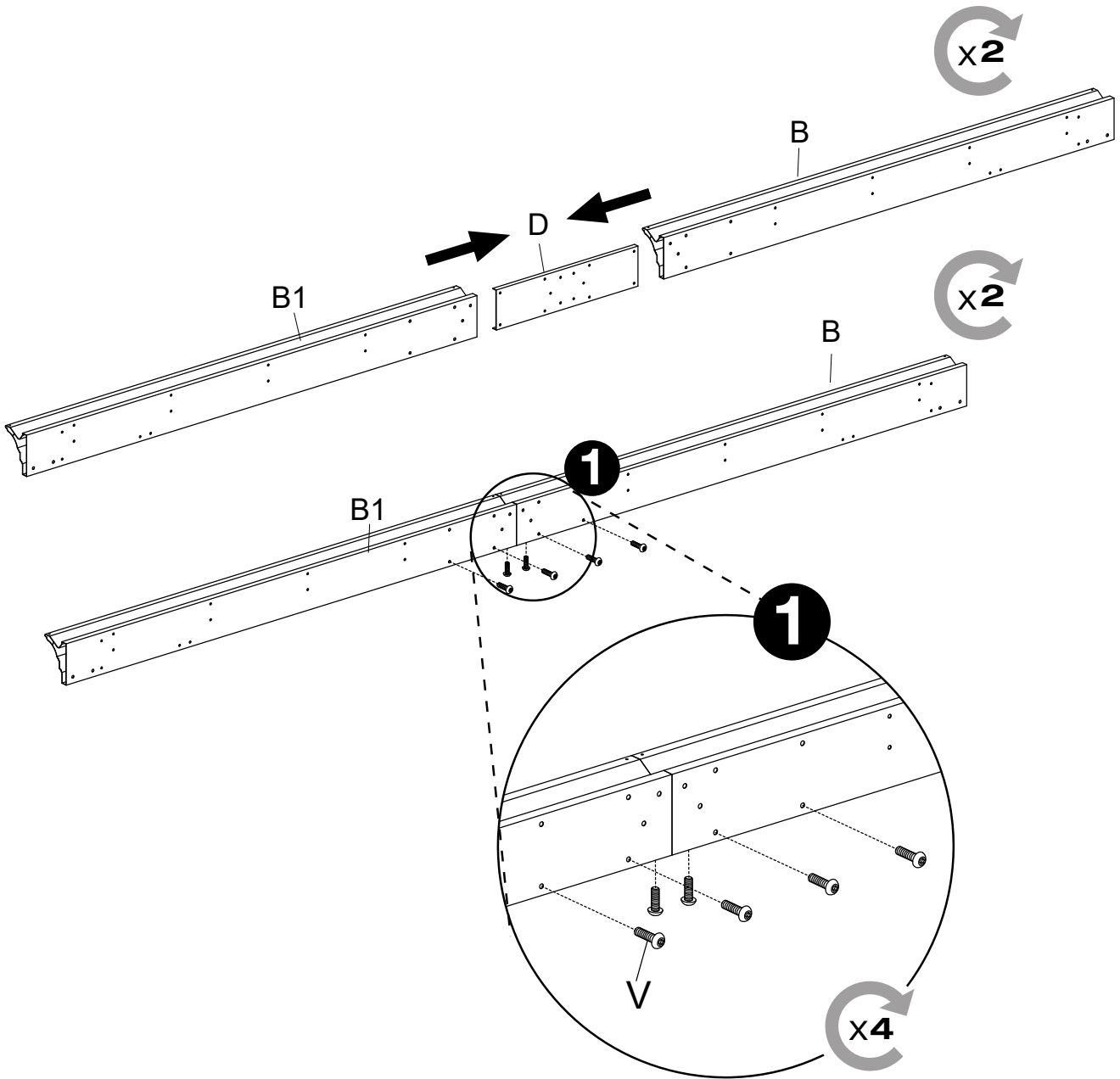
ZS3 X2

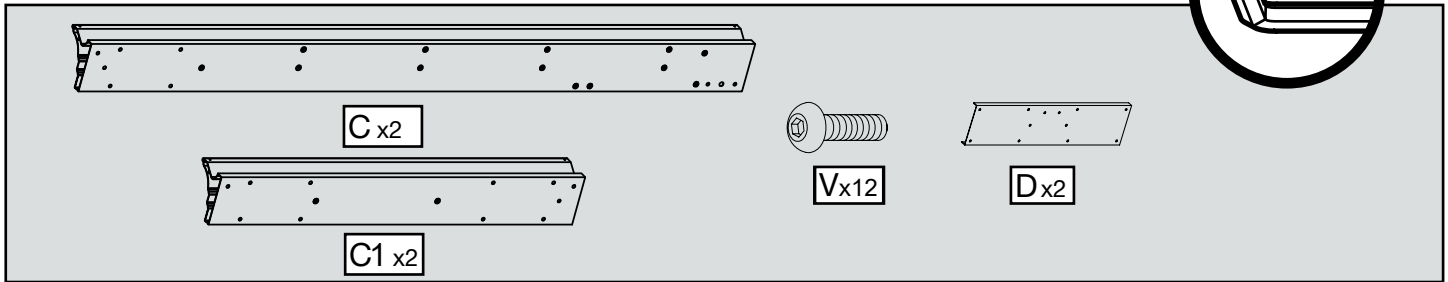
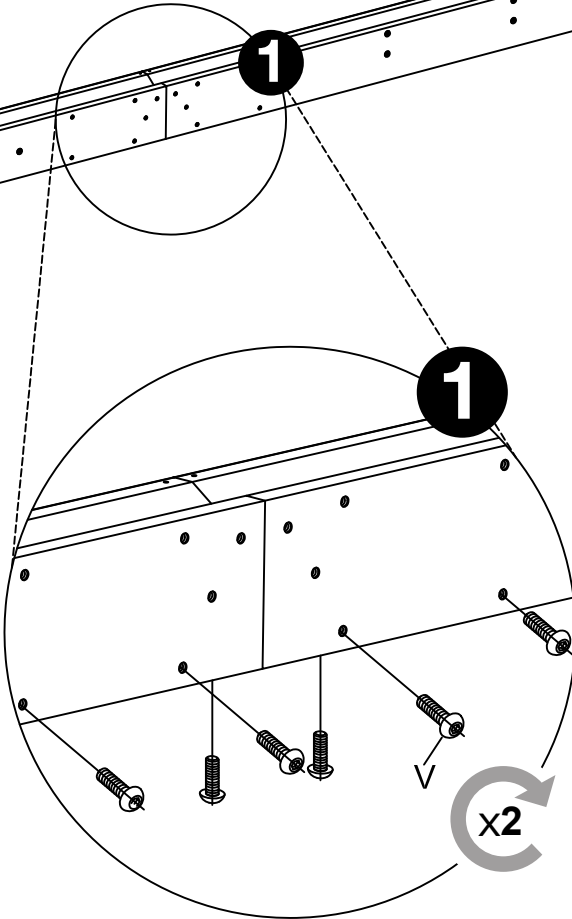
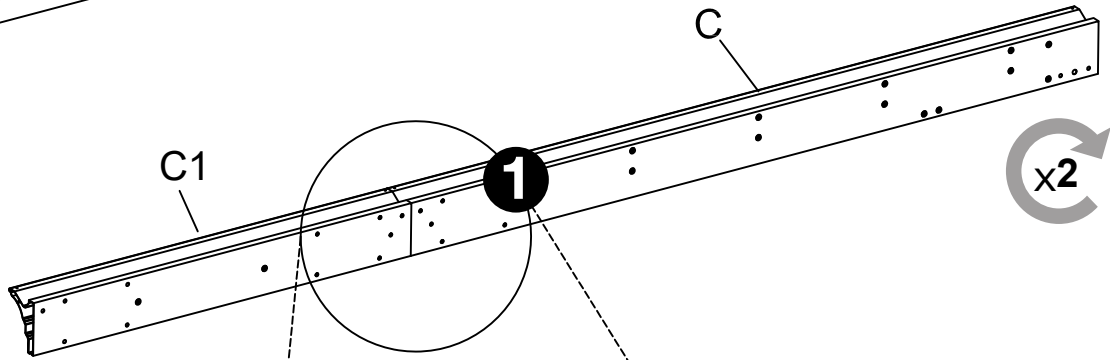
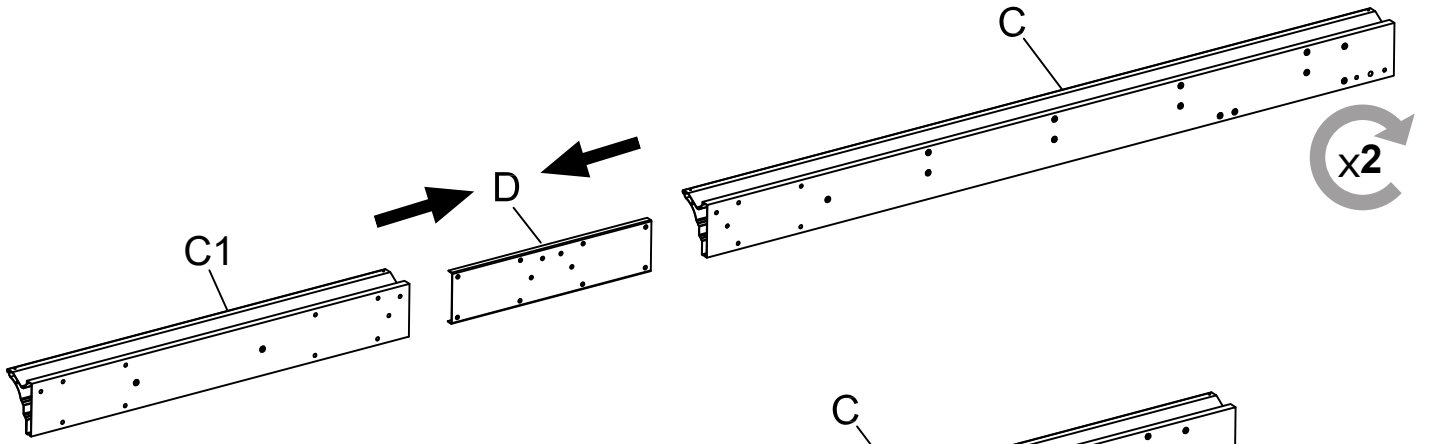
Q X 76(EXTRA 3 pcs) **Q** X 76(EXTRA 3 pcs) Optional

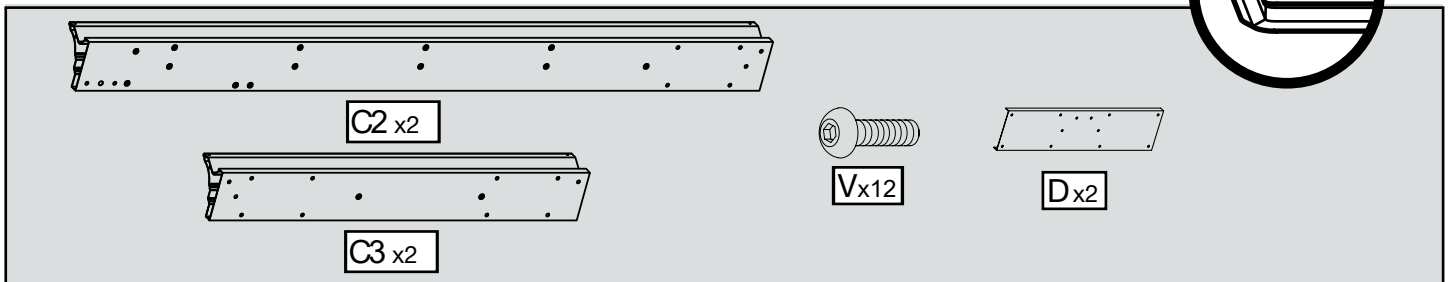
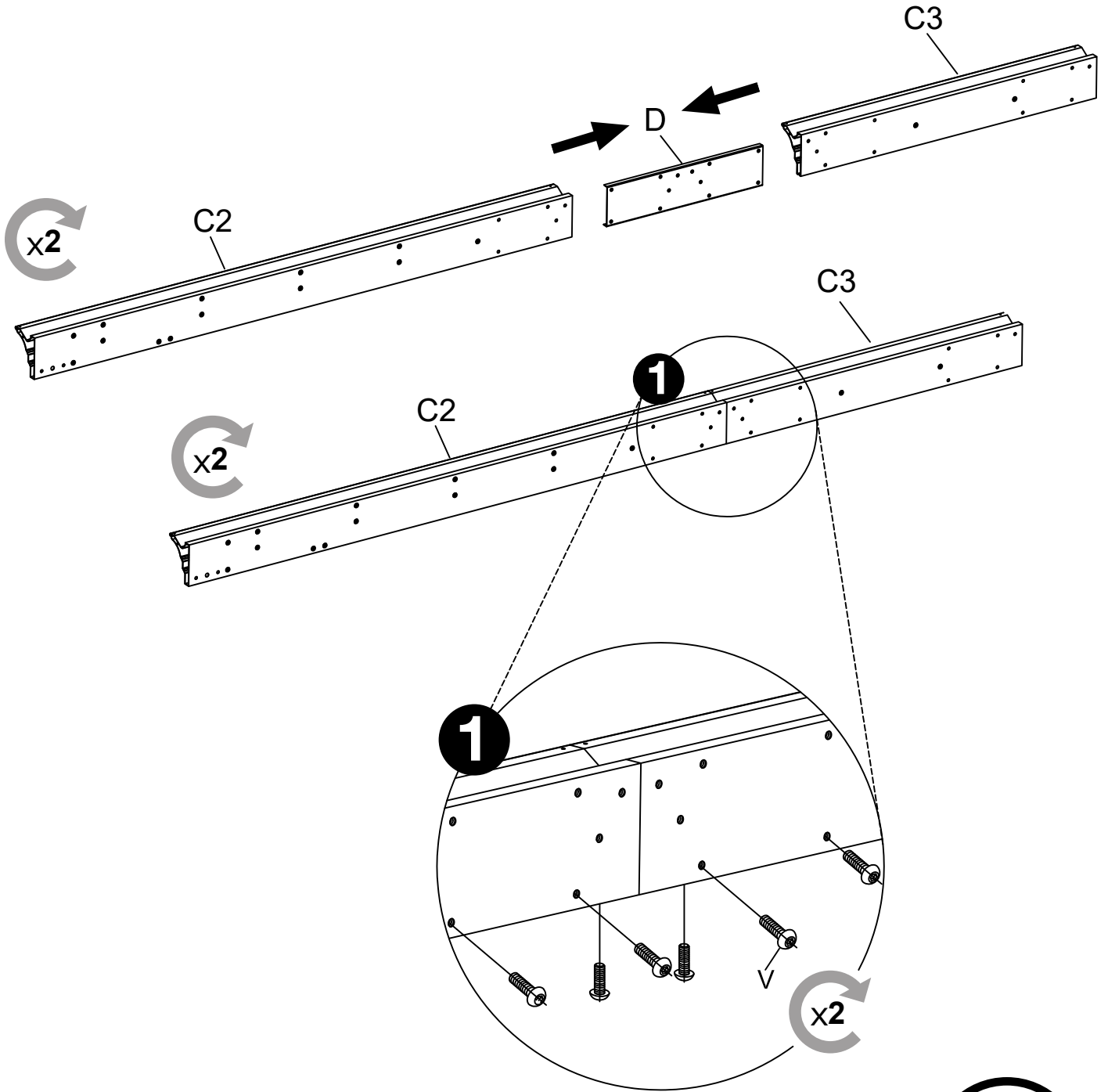


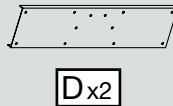
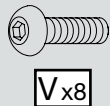
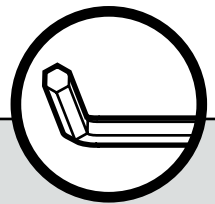
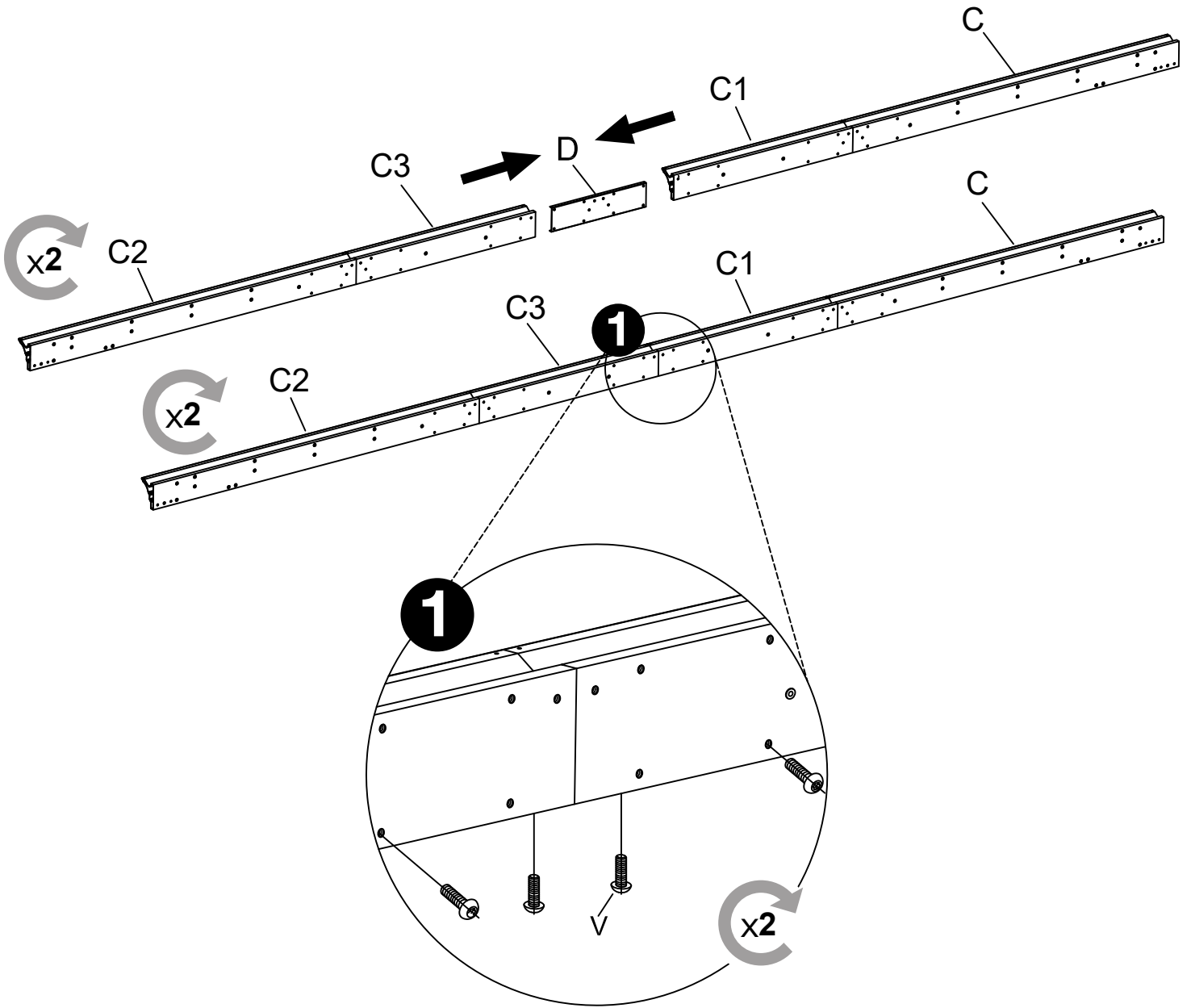


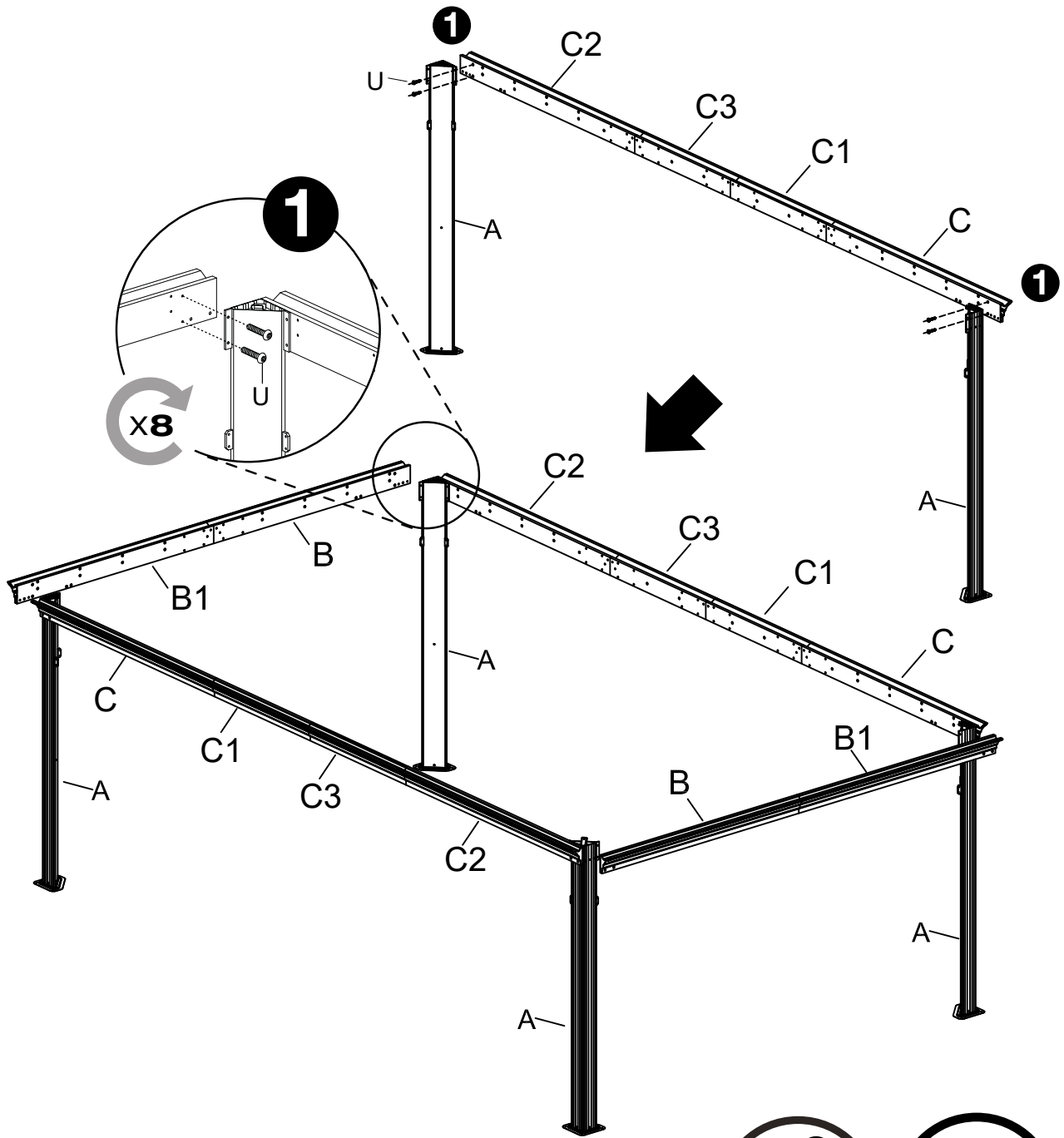






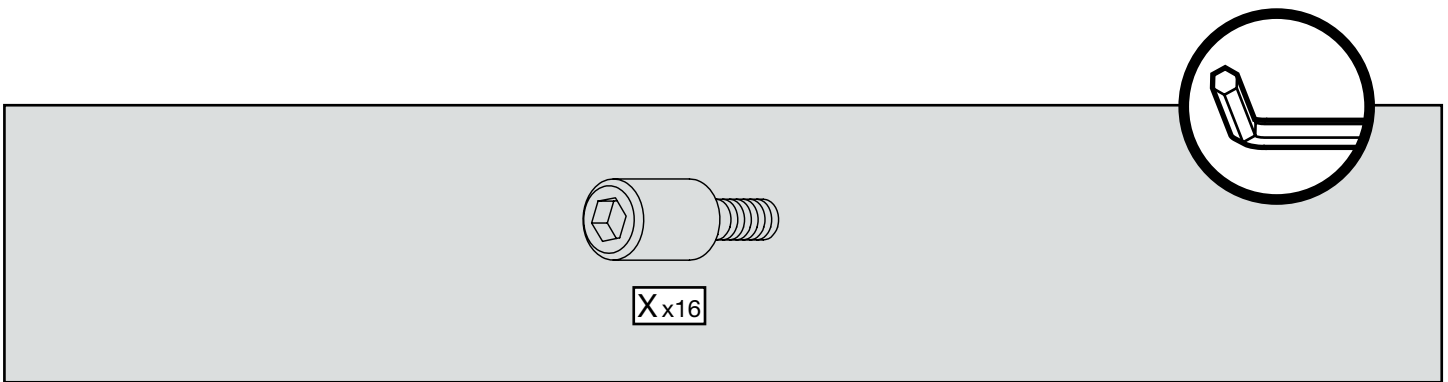
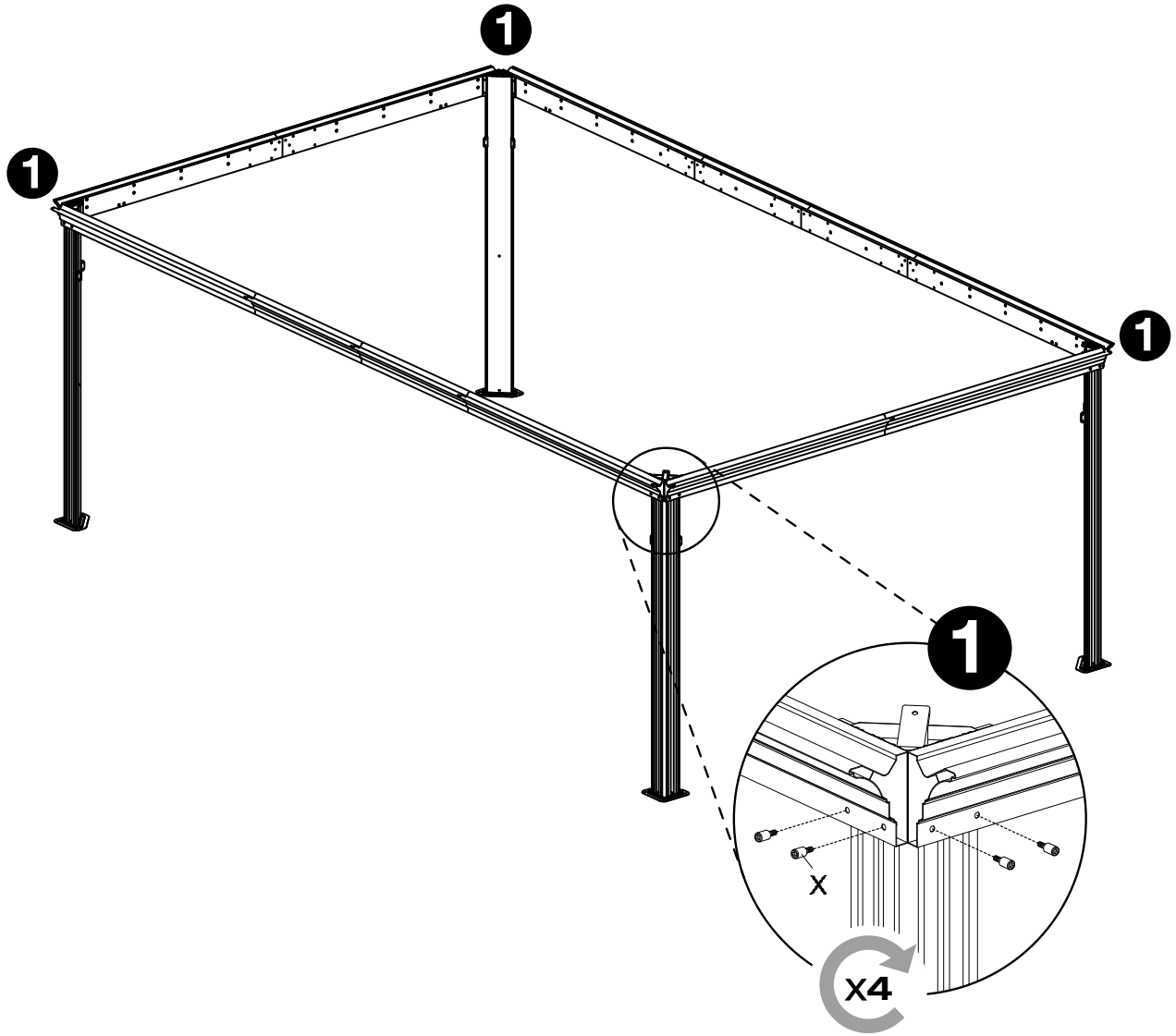


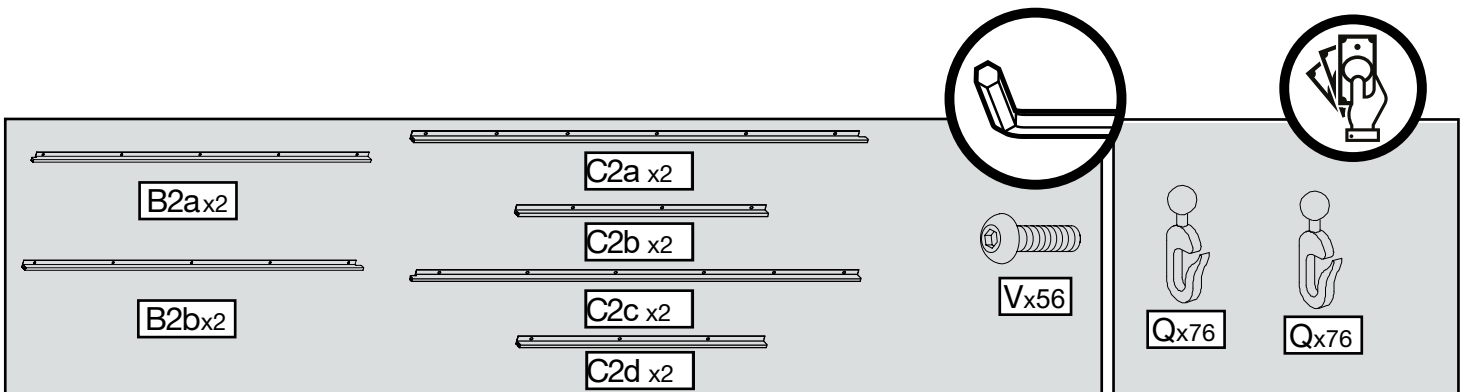
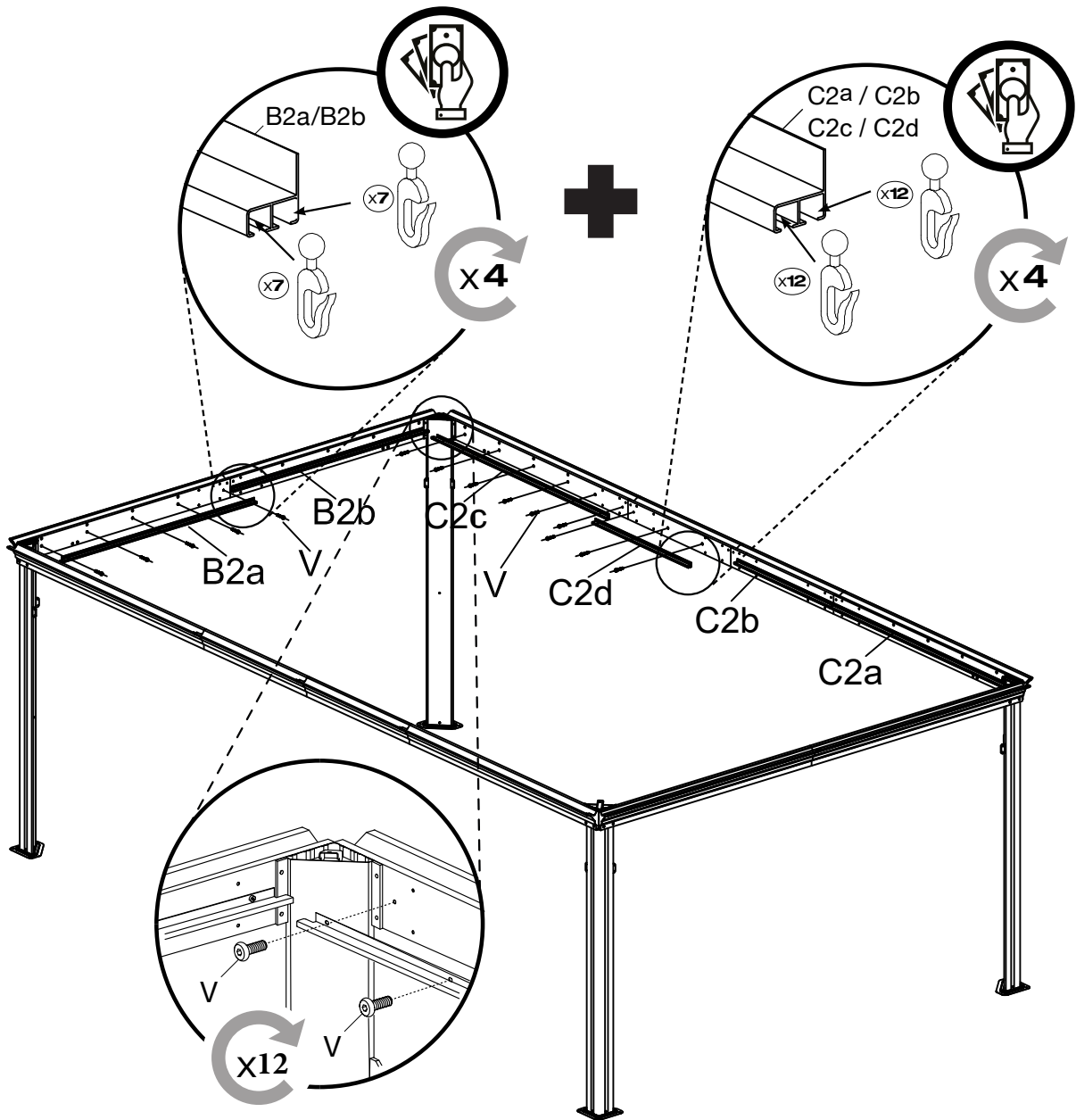


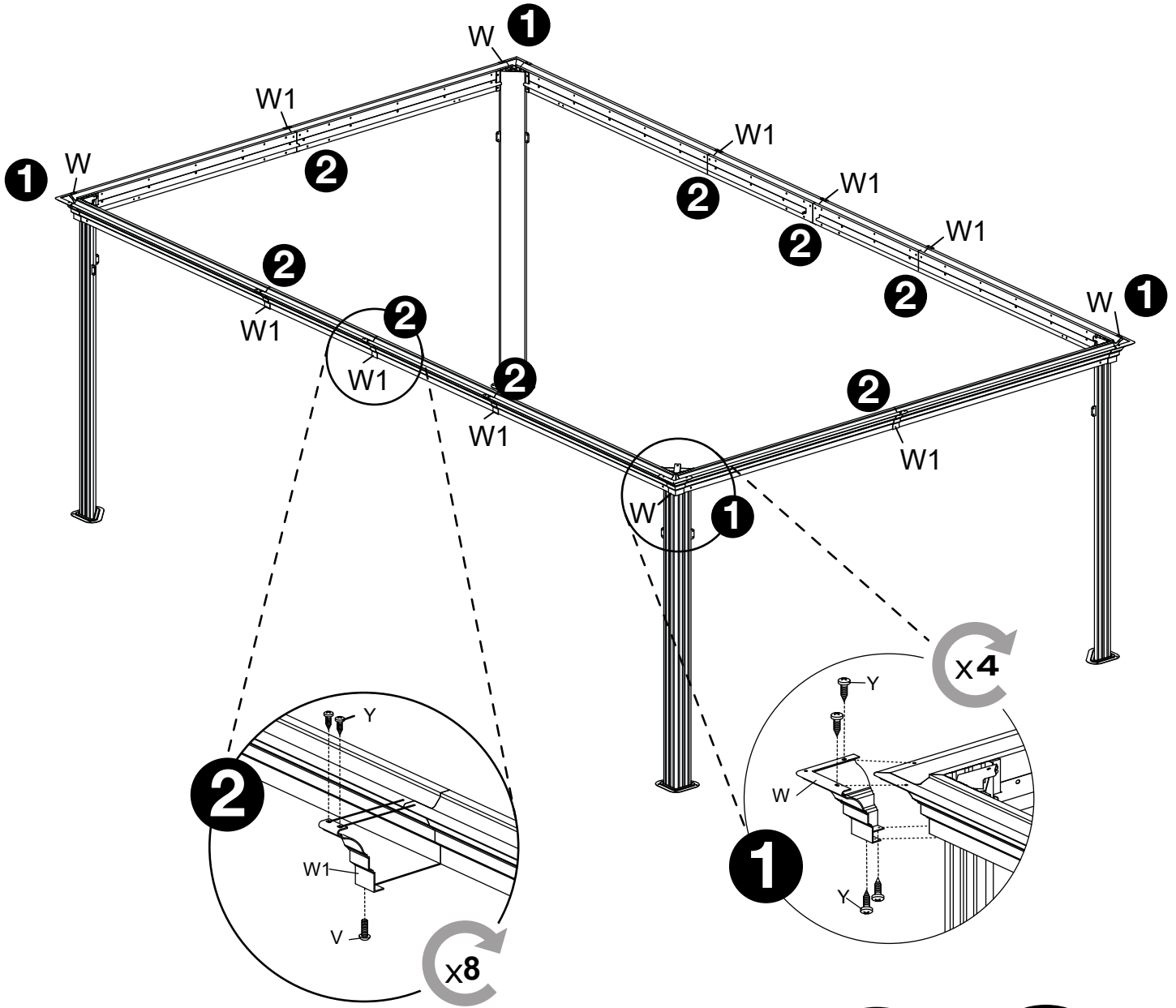


U x16

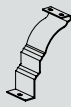
2+



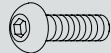




W_{x4}



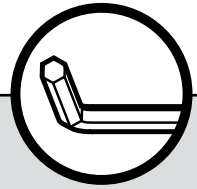
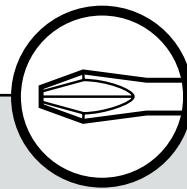
W1_{x8}

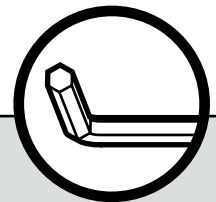
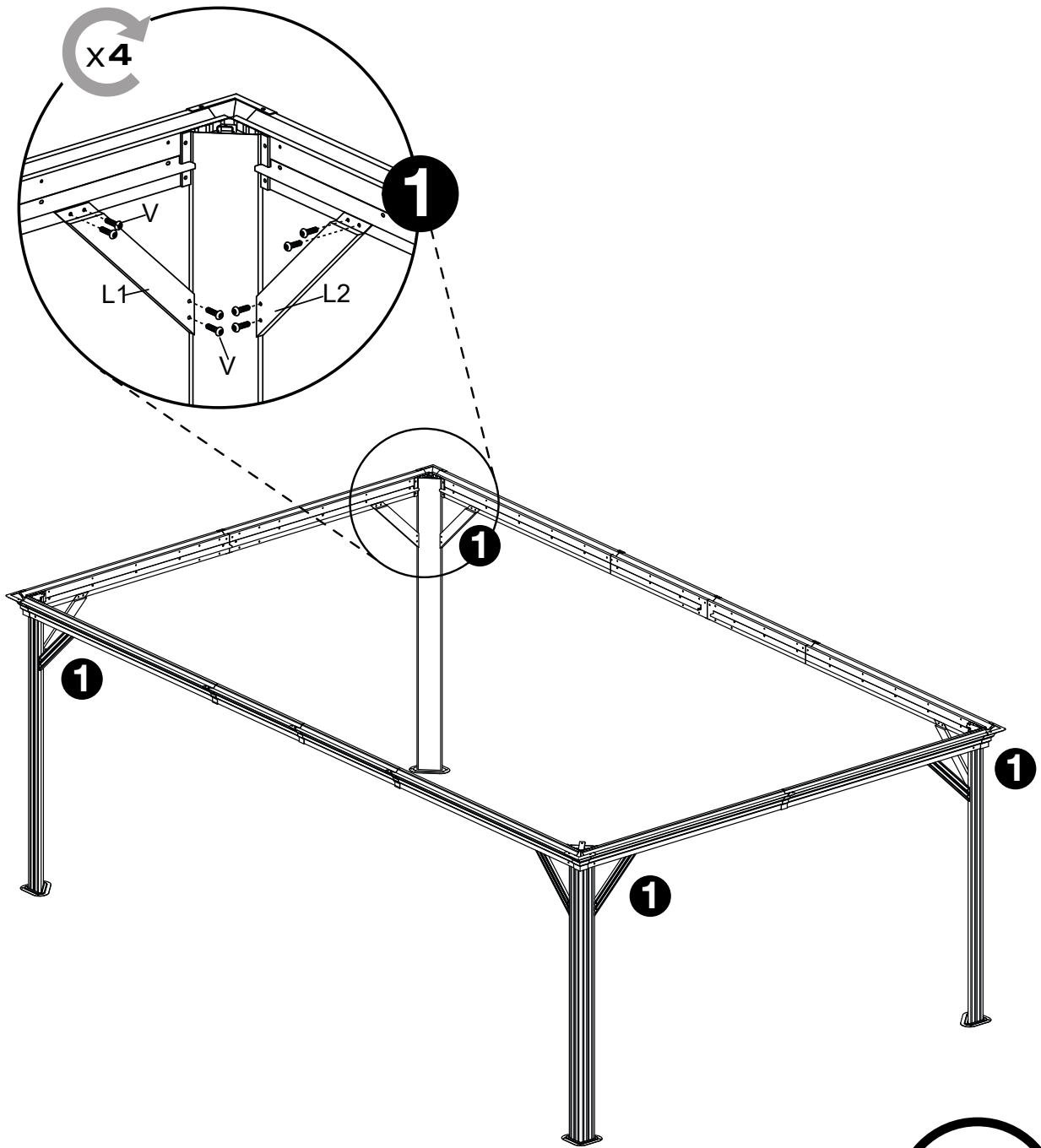


V_{x8}

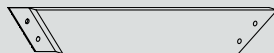


Y_{x32}





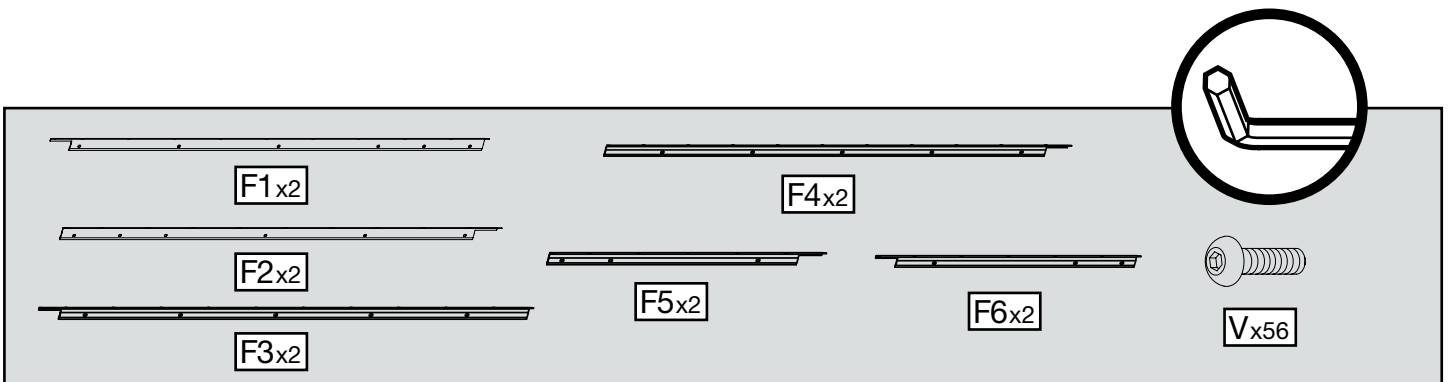
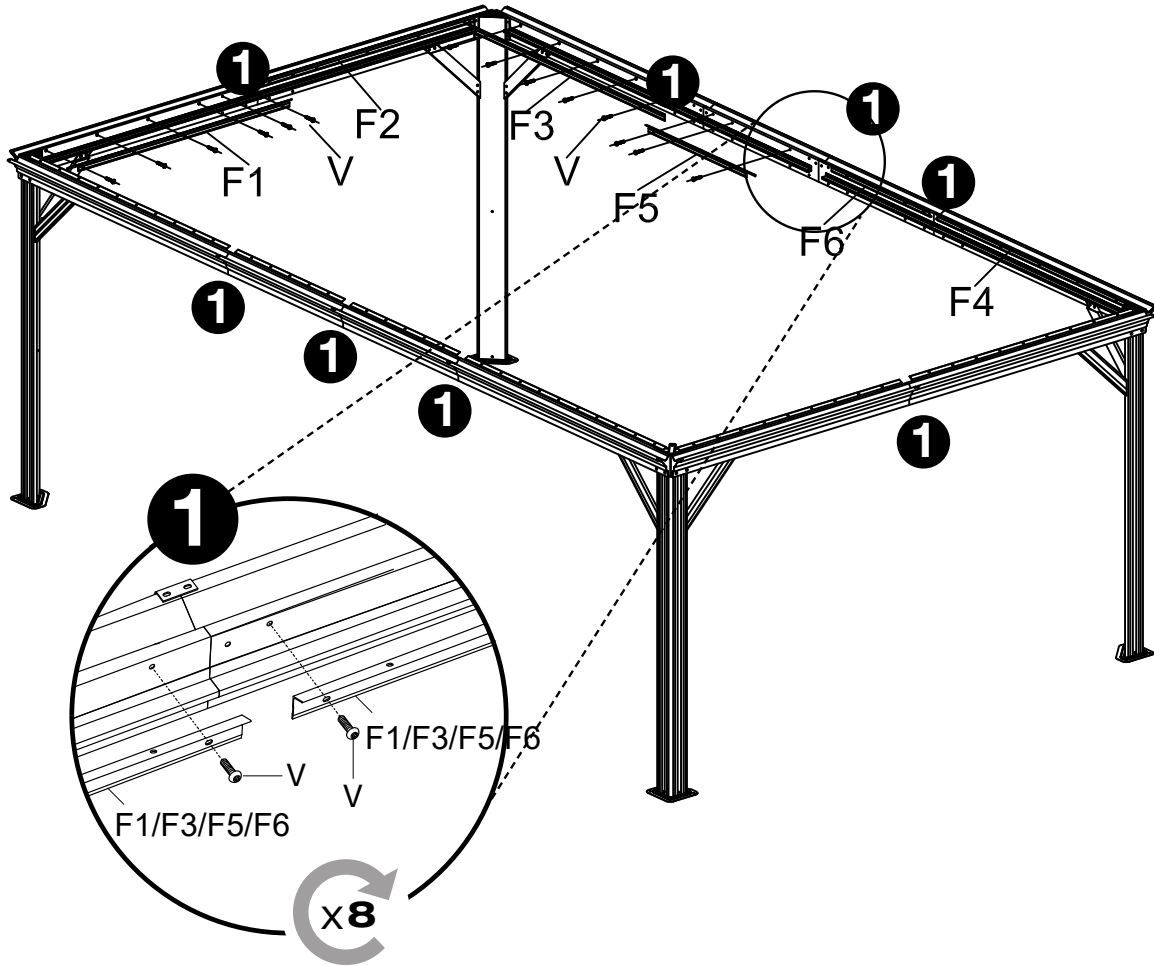
L1x4

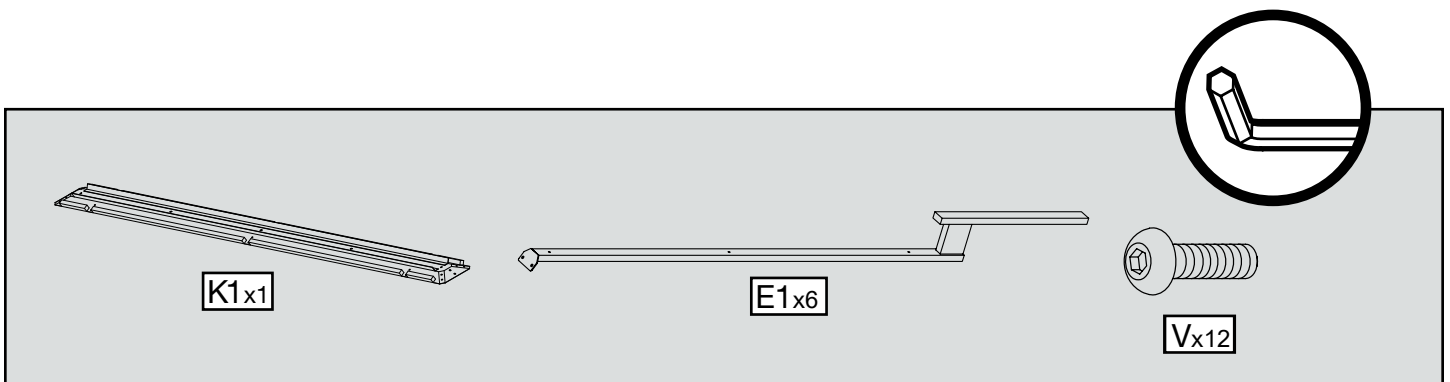
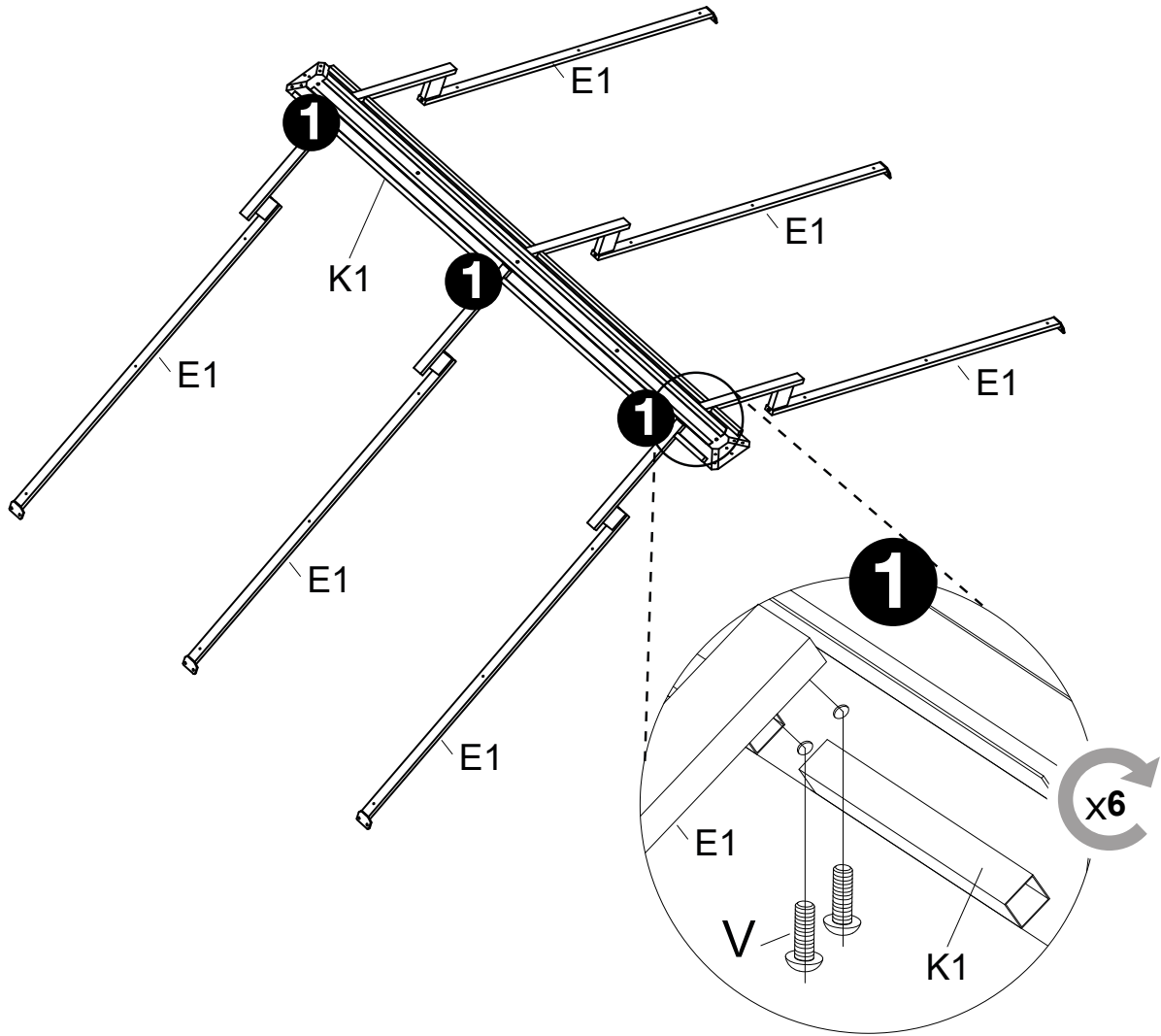


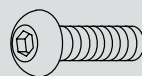
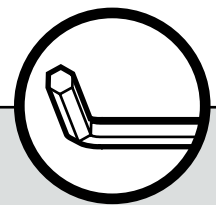
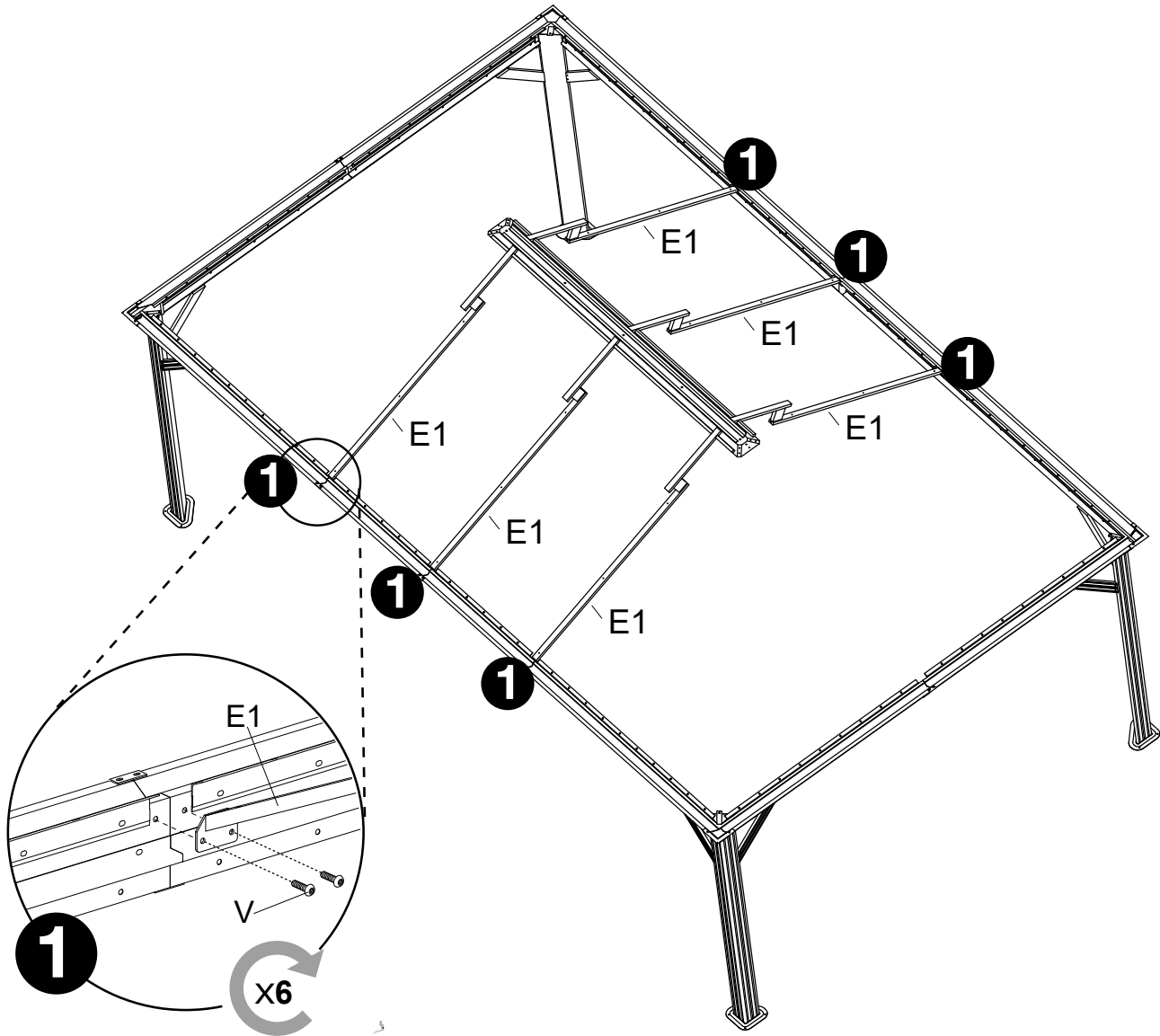
L2x4



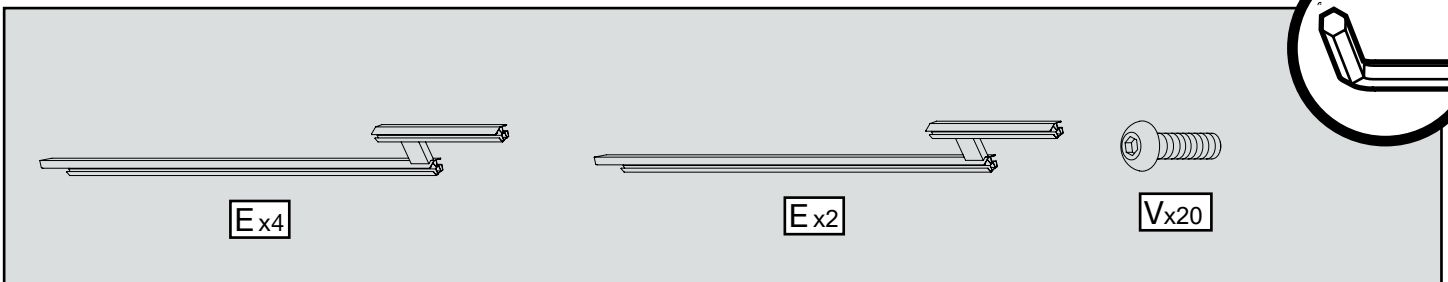
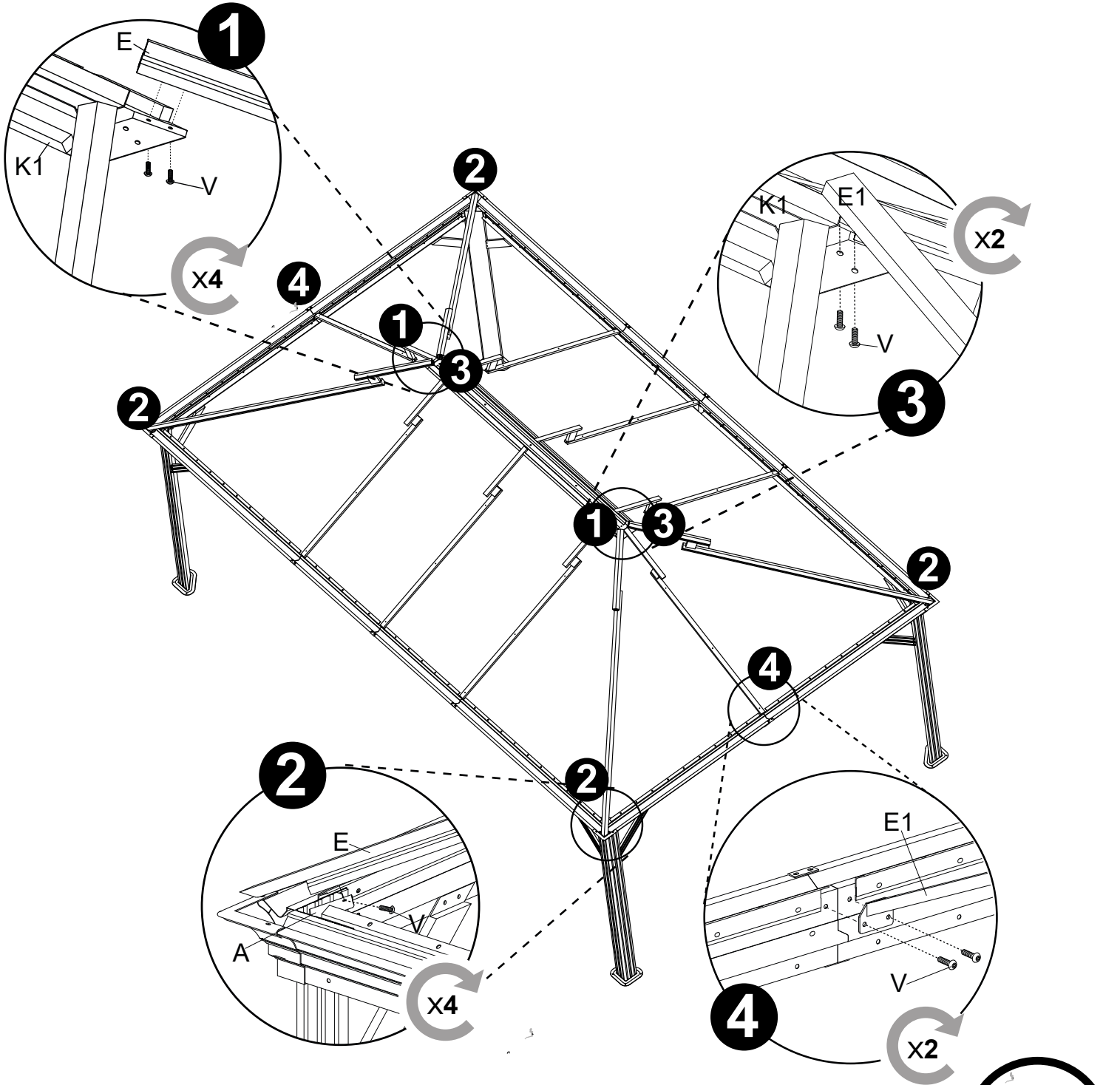
Vx32

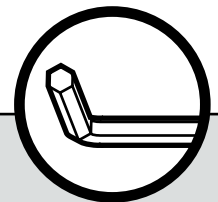
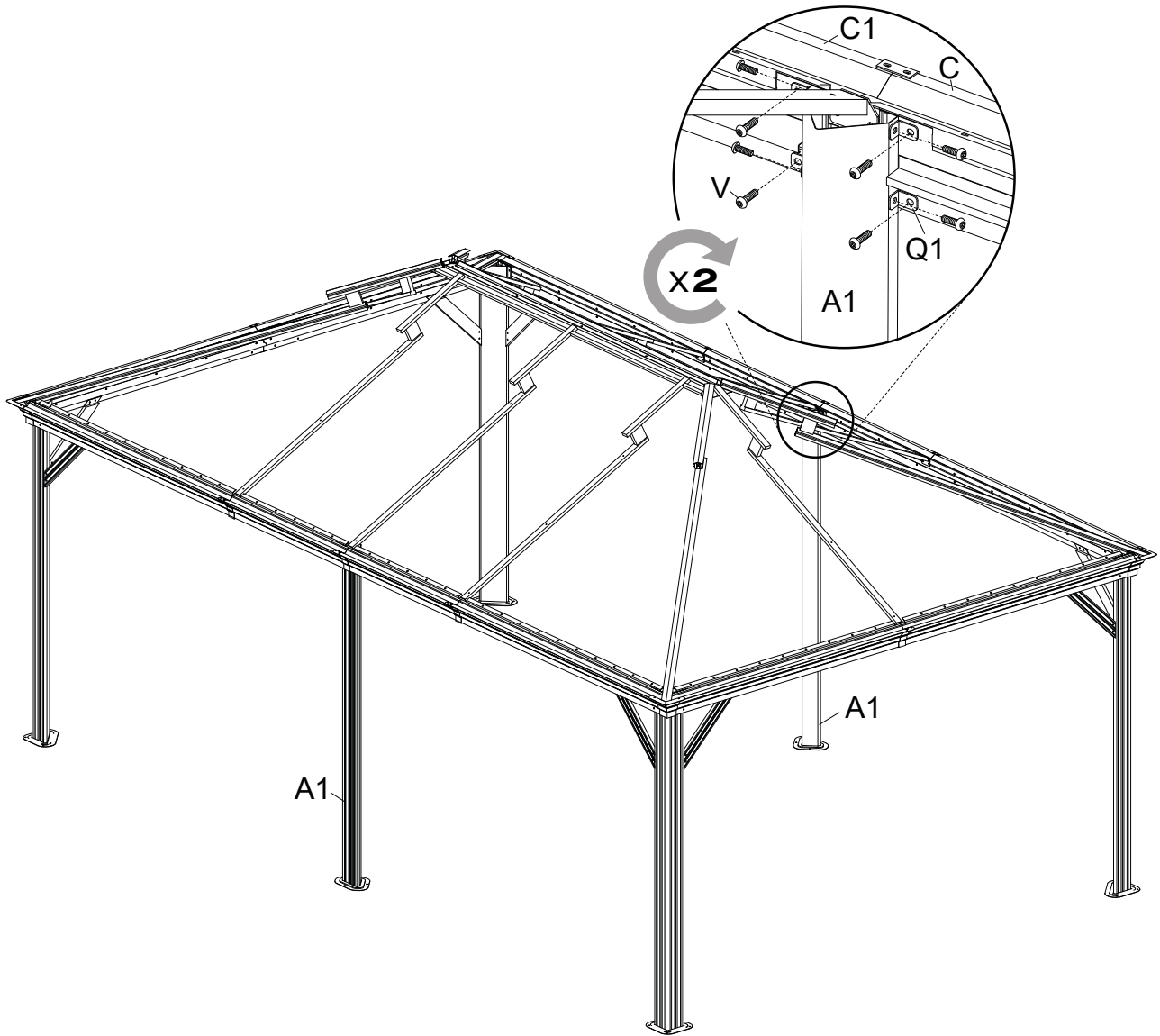






Vx12

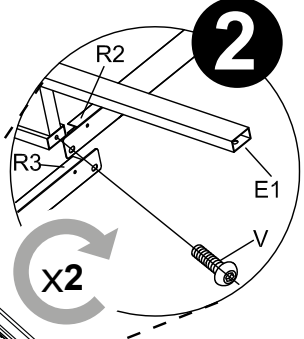
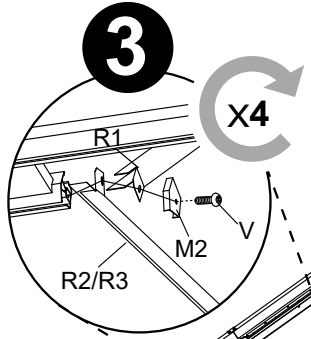
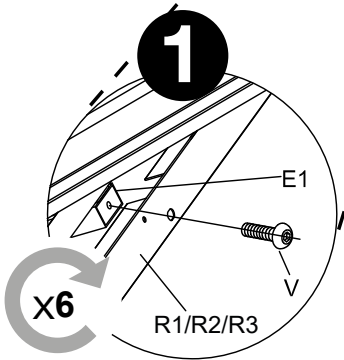
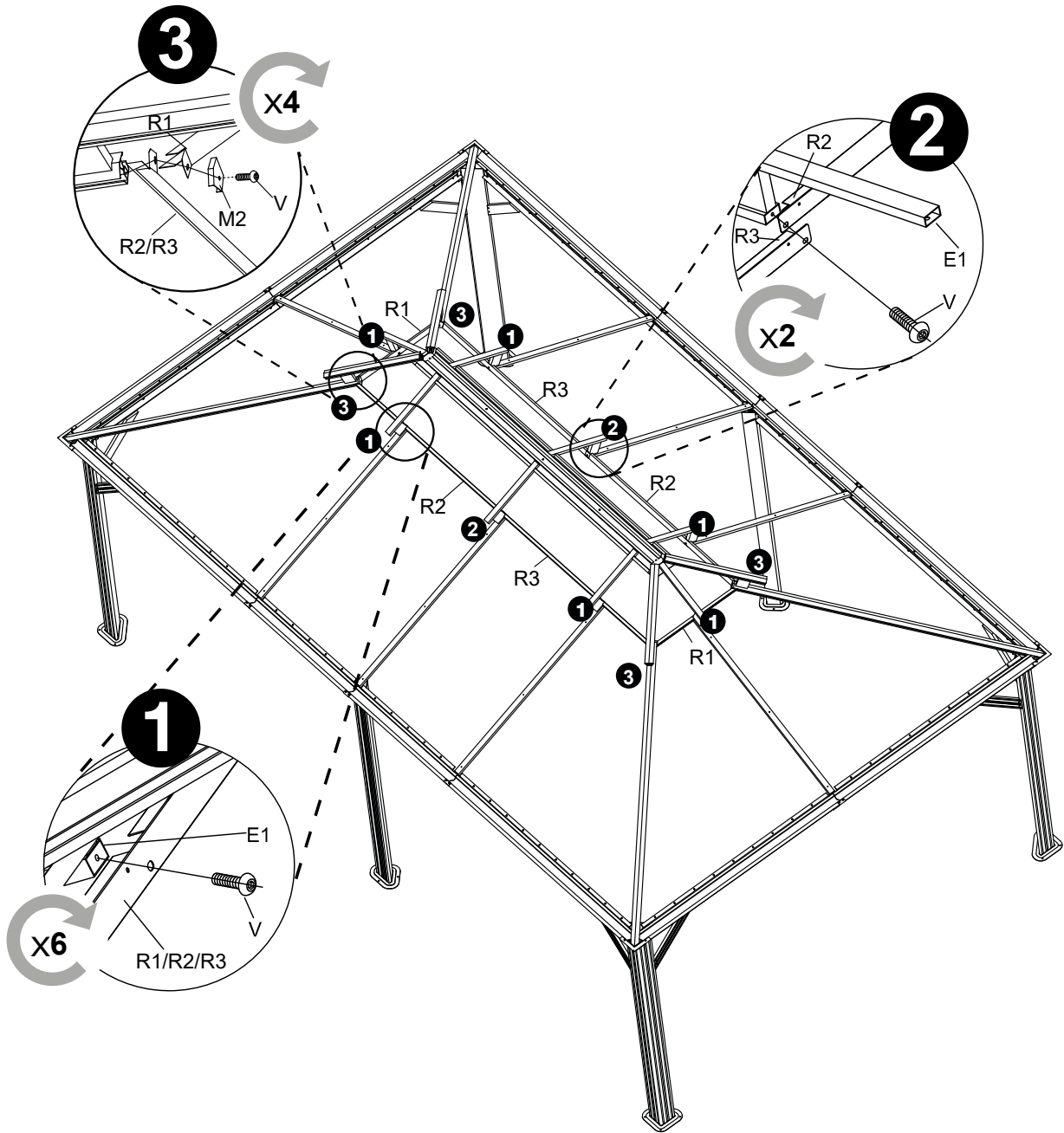




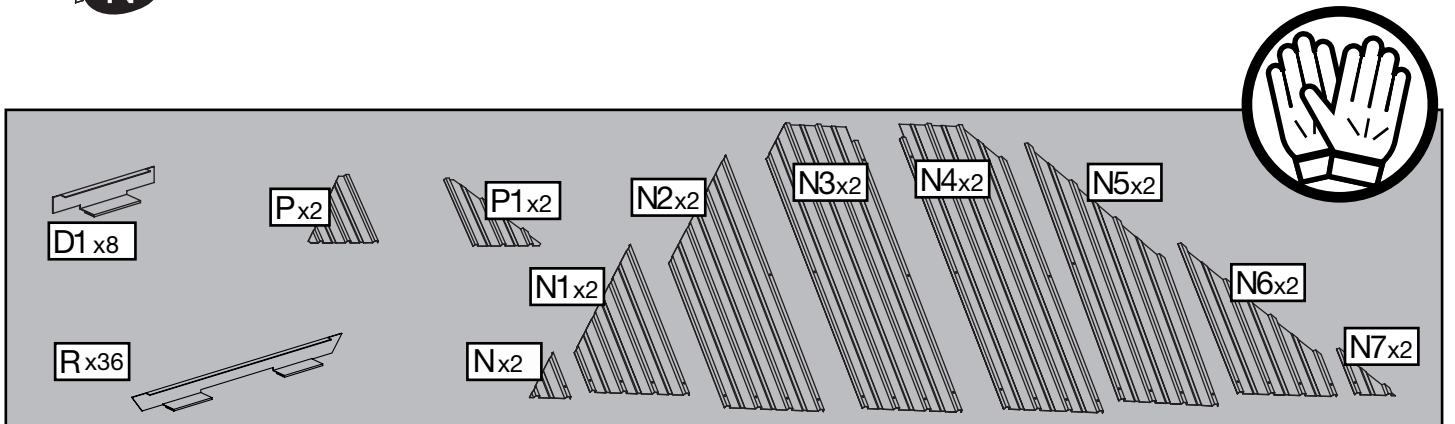
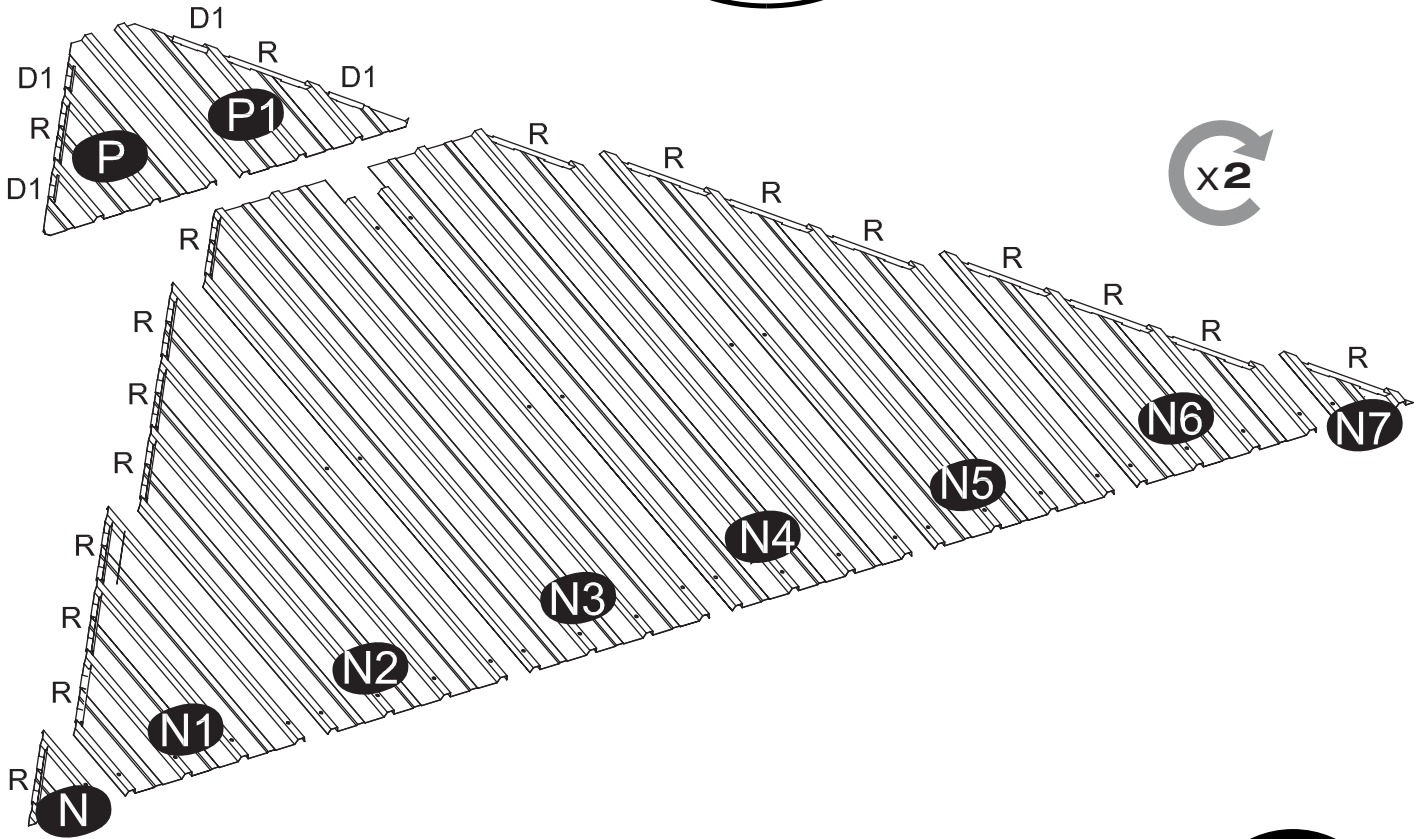
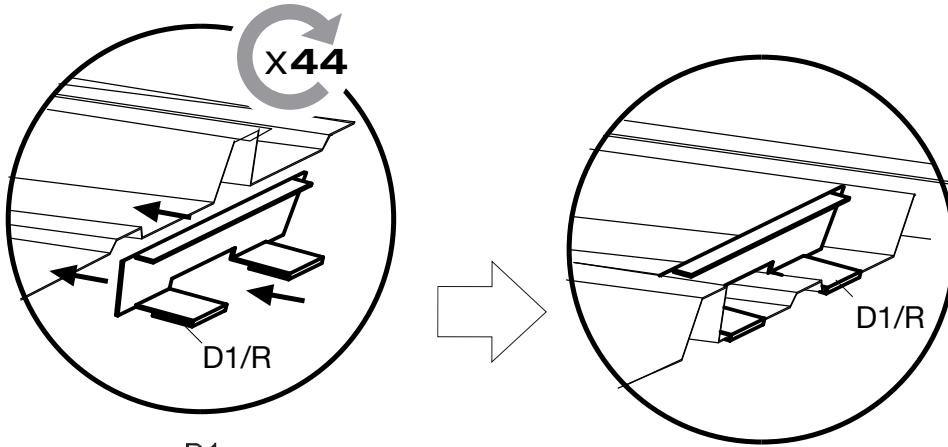
Q1x8

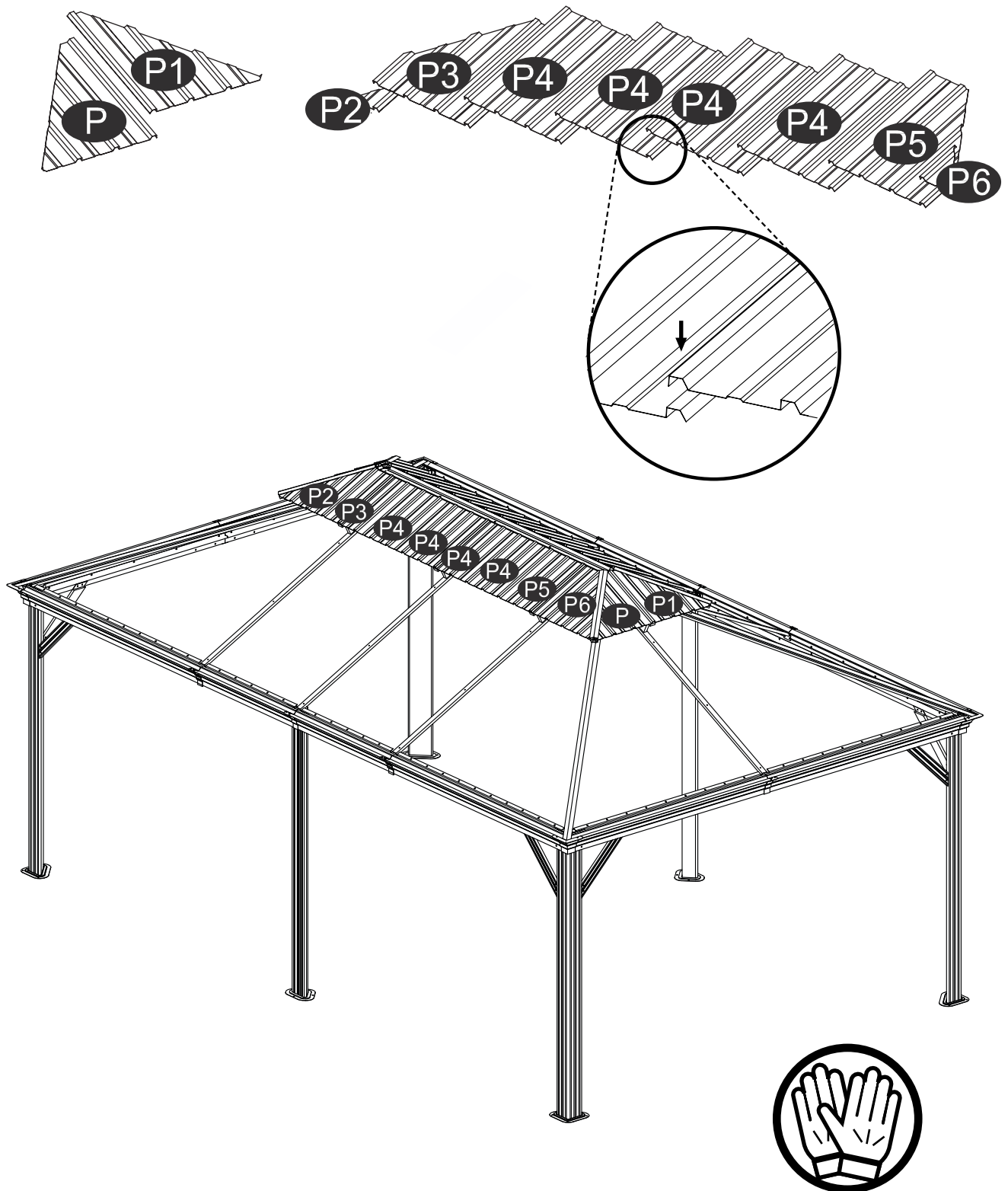


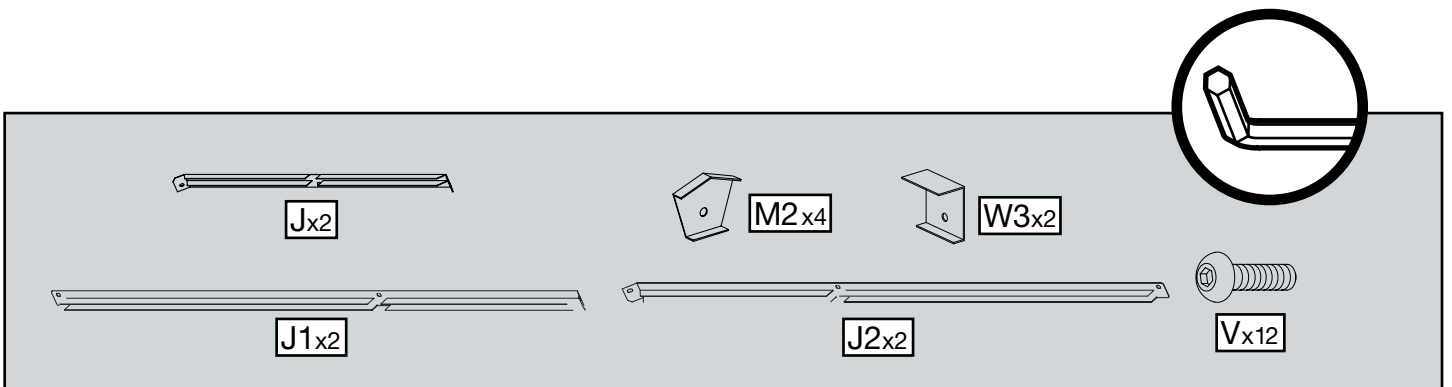
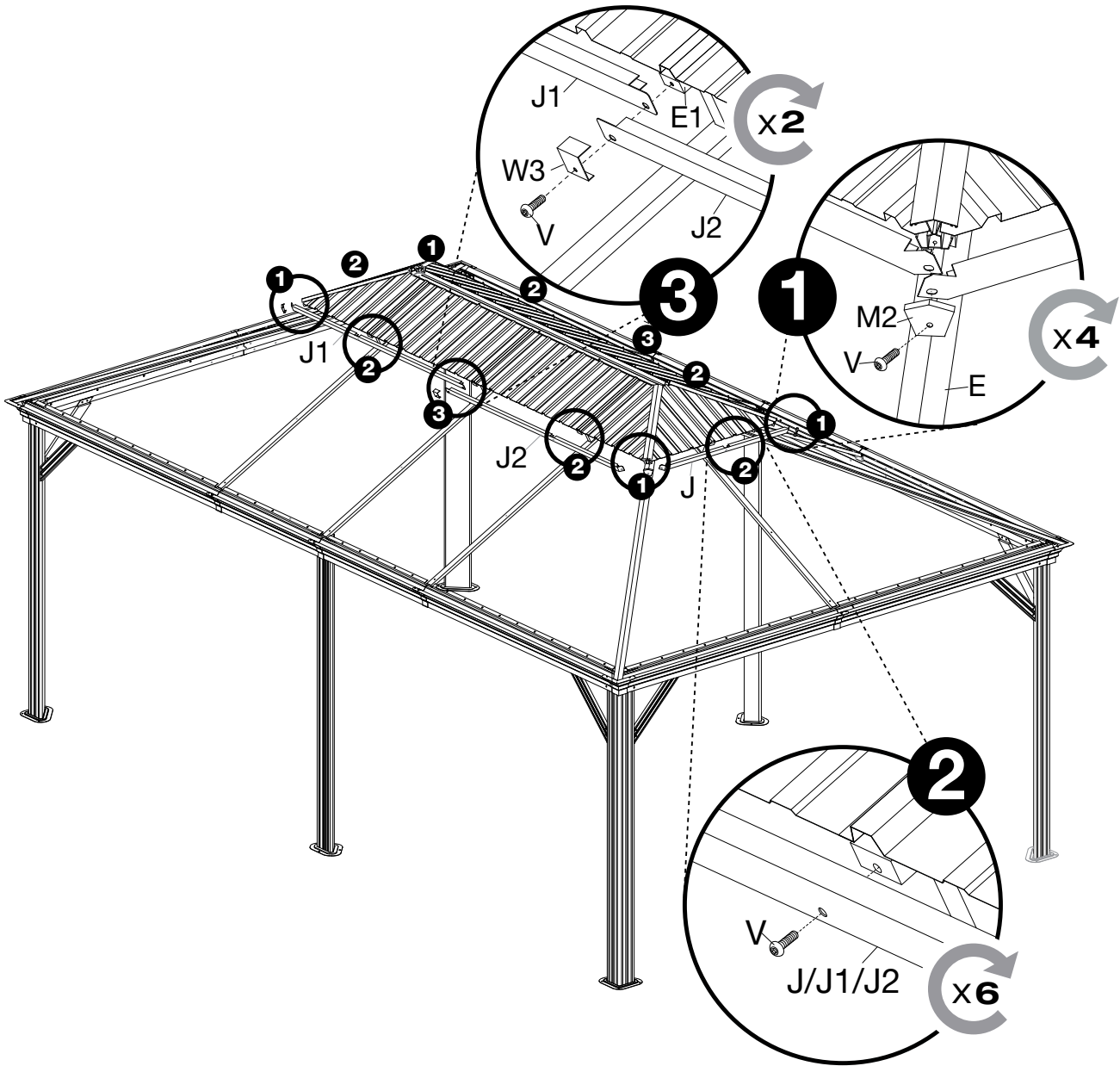
Vx16

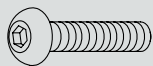
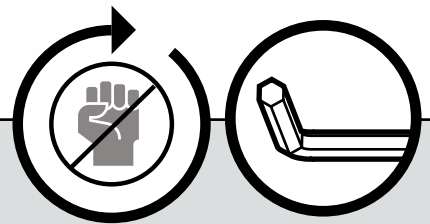
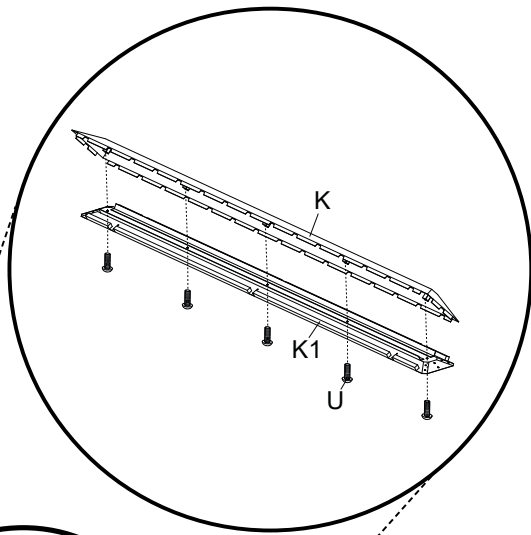
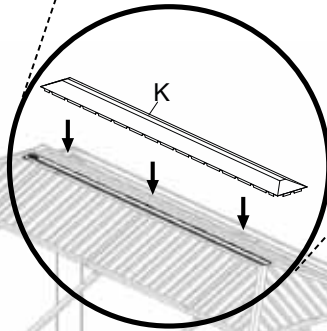
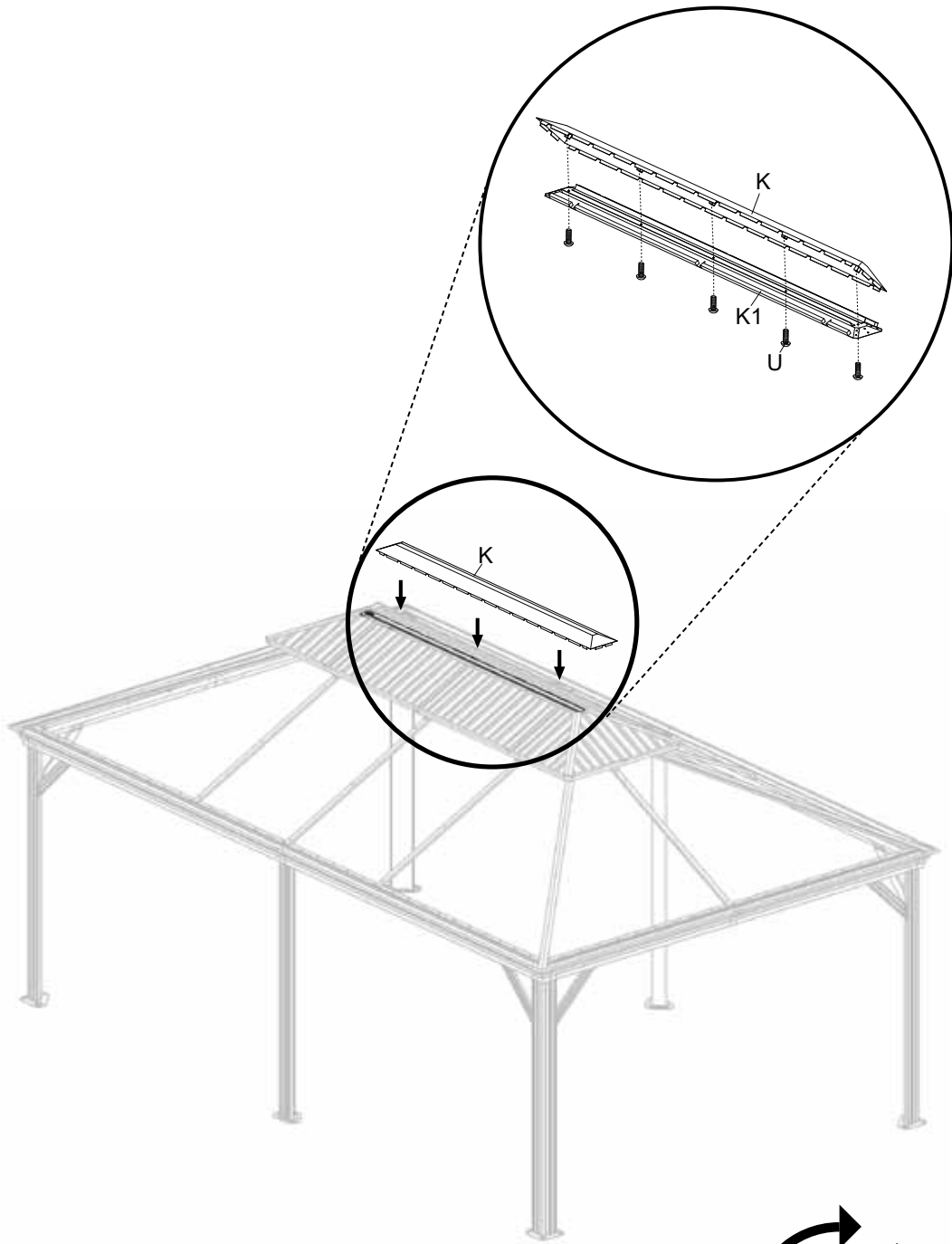


This section lists the required parts for the assembly. It includes two long thin rods labeled R1x2, two medium-length rods labeled R2x2, two short rods labeled R3x2, twelve screws labeled Vx12, and four corner brackets labeled M2x4. A circular icon on the right shows a corner bracket being attached to a rod.

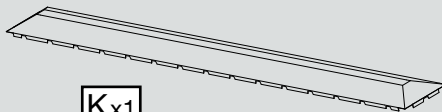




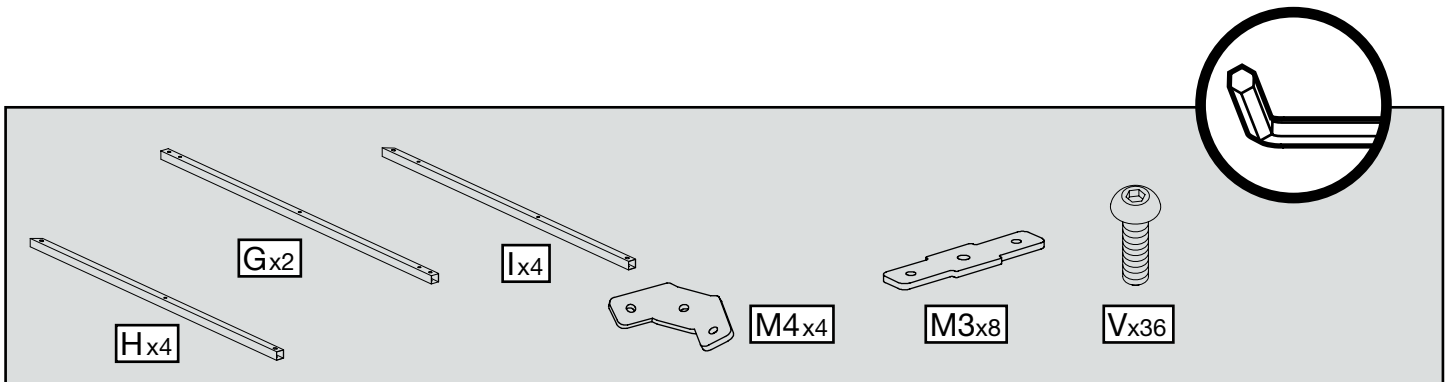
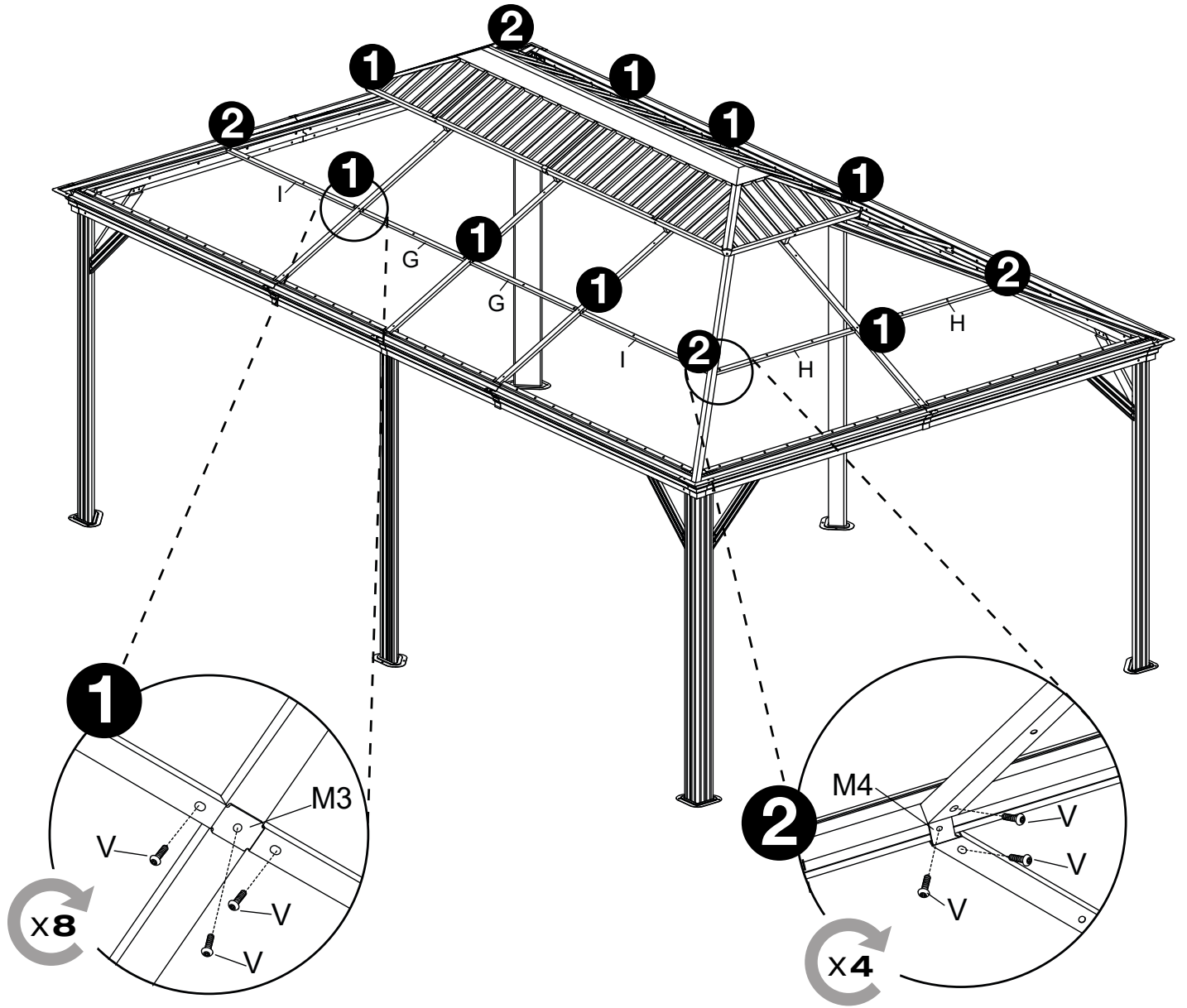


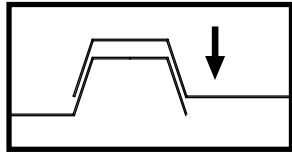


Ux5

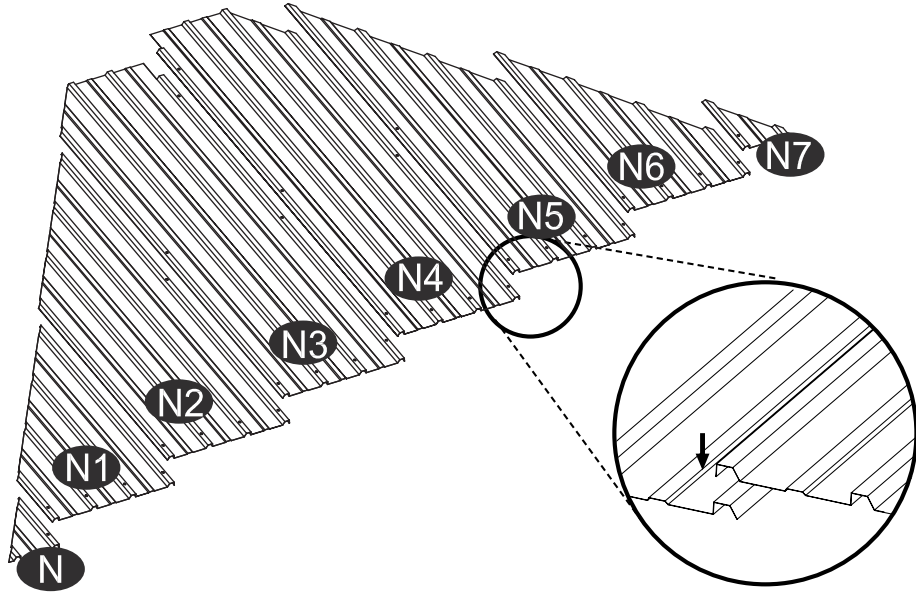


Kx1

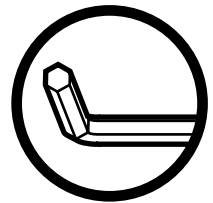
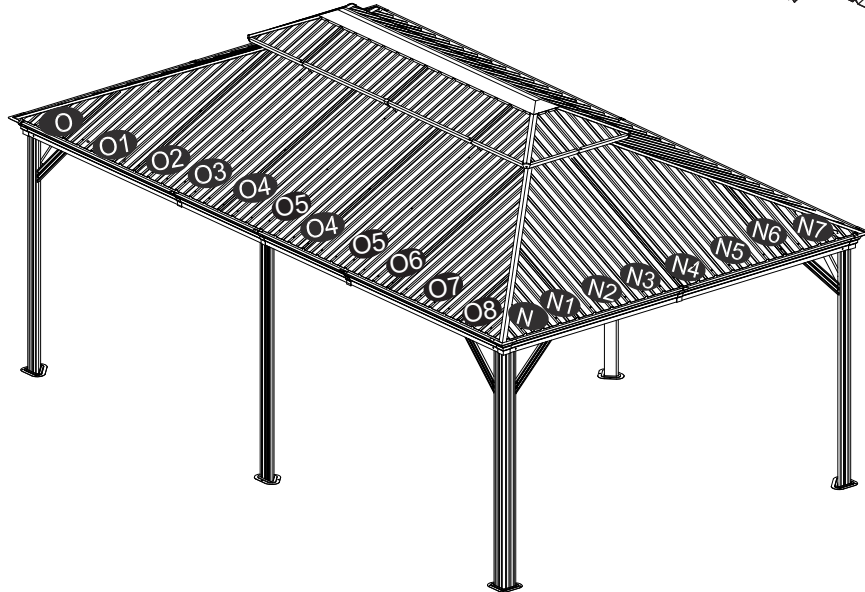
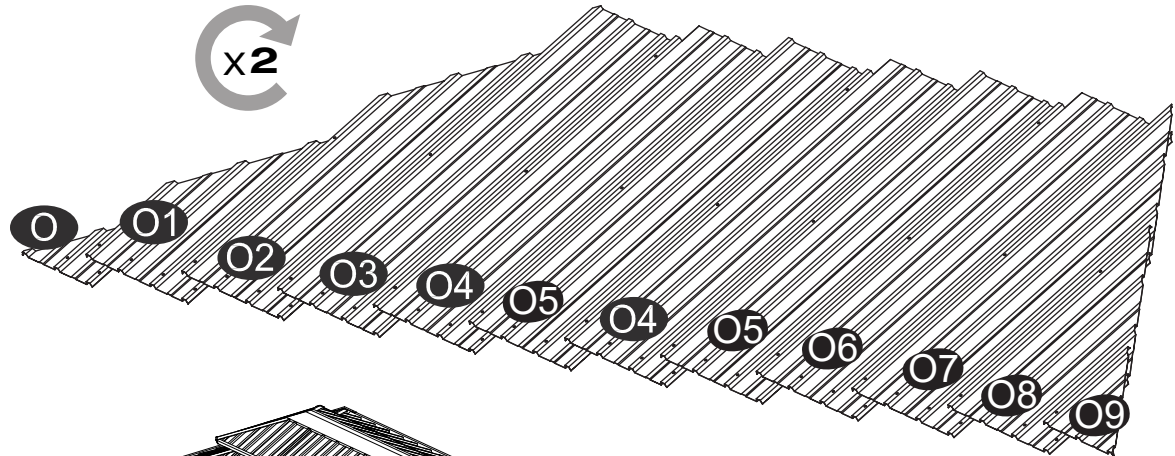


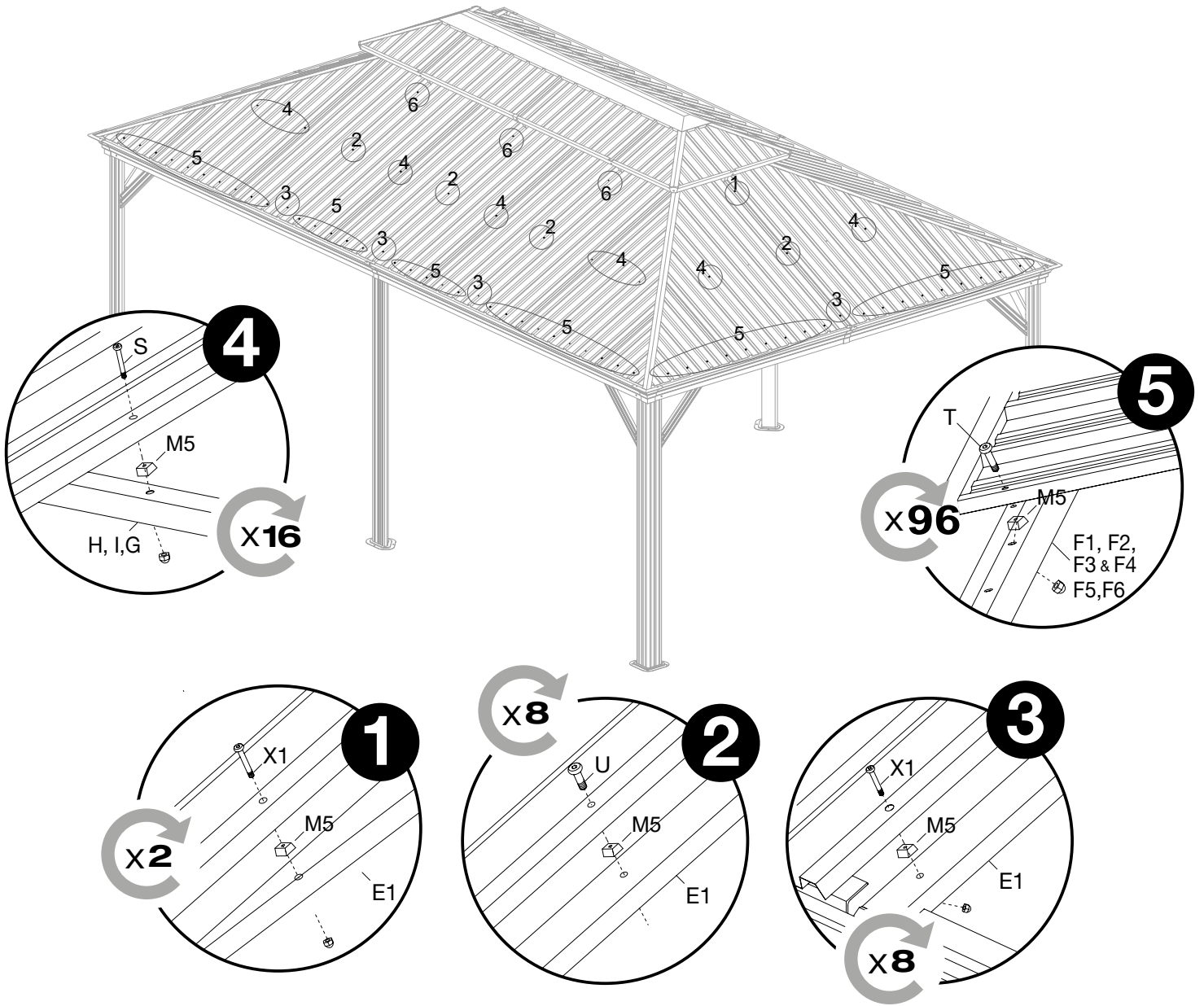



x2




x2









Ux8



Tx96



M5x130



X1x10

Sx16

