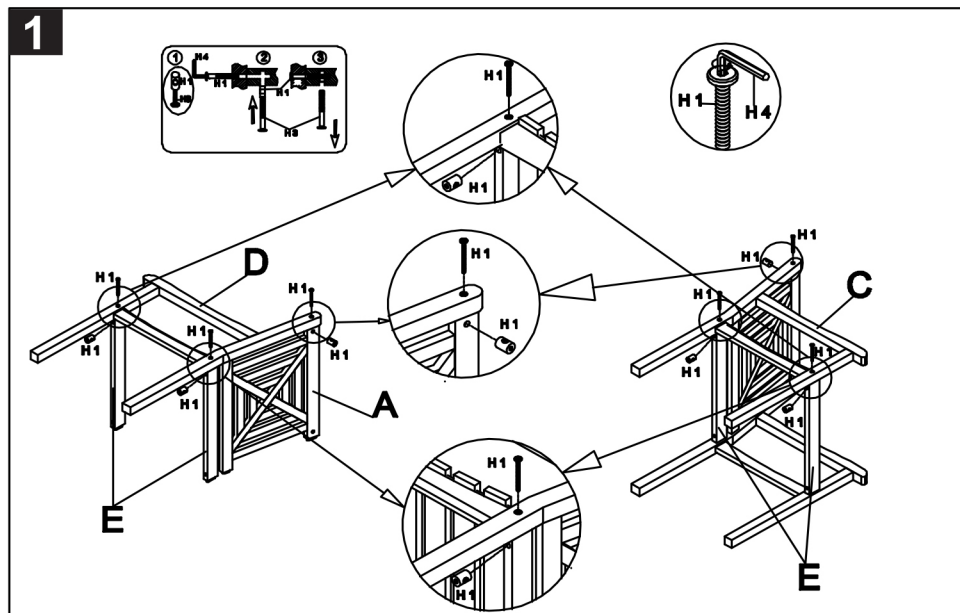
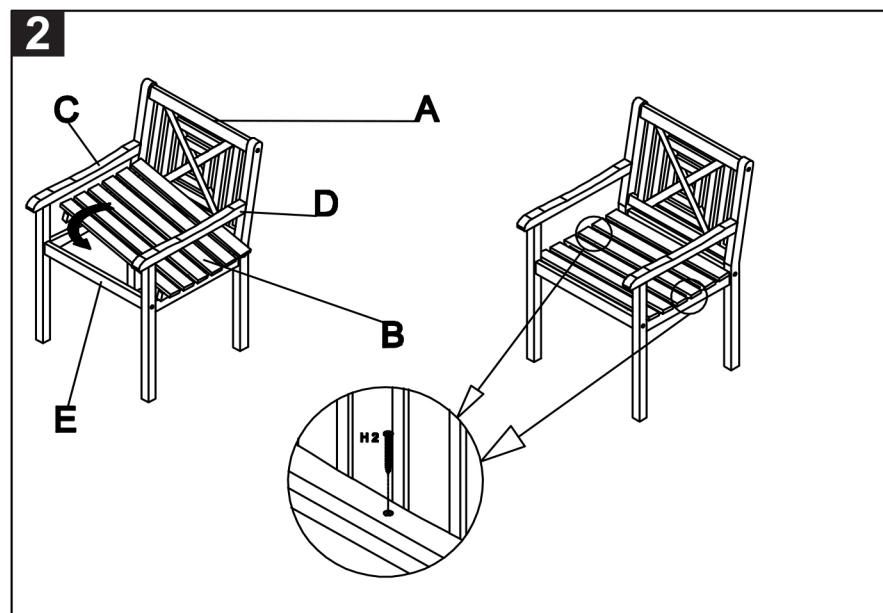


# PREPARATION

Before beginning the assembly of the product, make sure all parts are present. Compare the parts with the package contents list and hardware contents list. If any parts are missing or damaged, do not attempt to assemble the product. Tool required for assembly (included): Allen Key.



Step 1: attach left side (D) to the back (A). Then attach the supports (E) as shown on the picture by using the Allen Bolt (H1) and tighten it with the Allen Key (H4). Continue with the right side (C) in the same way. Make sure to tighten all bolts (H1) before you continue with step 2.



Step 2: put the seat (B) inside the chair and use the screw (H2) as shown on the picture, tighten all with a screwdriver.


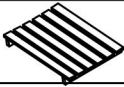




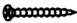

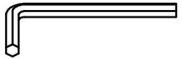
# CARE AND MAINTENANCE

Store outdoor furniture indoors or cover well when it is not in use. Dust regularly with small brush or vacuum. Spills should be taken care of immediately before they harden or stain with a slightly dampened sponge.

## NOTICE

Please make sure that you have all parts indicated before you begin assembly of this item.

### Part List and Hardware List

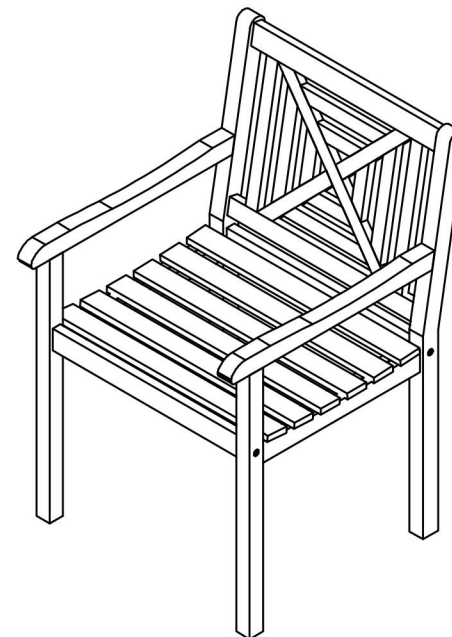
PIECE	DESCRIPTION	PICTURE	QUANTITY
A	Back		1X
B	Seat		1X
C	Right side		1X
D	Left side		1X
E	Support		2X
H1	Allen Bolt	 M6x70	6X
H2	Screw	 M4x35	2X
H3	Bolt extra	 M6x50	1X
H4	Allen Key		1X

Product Dimension: 22.05"W x 24.02"D x 34.65"H

Weight capacity : 300 lbs

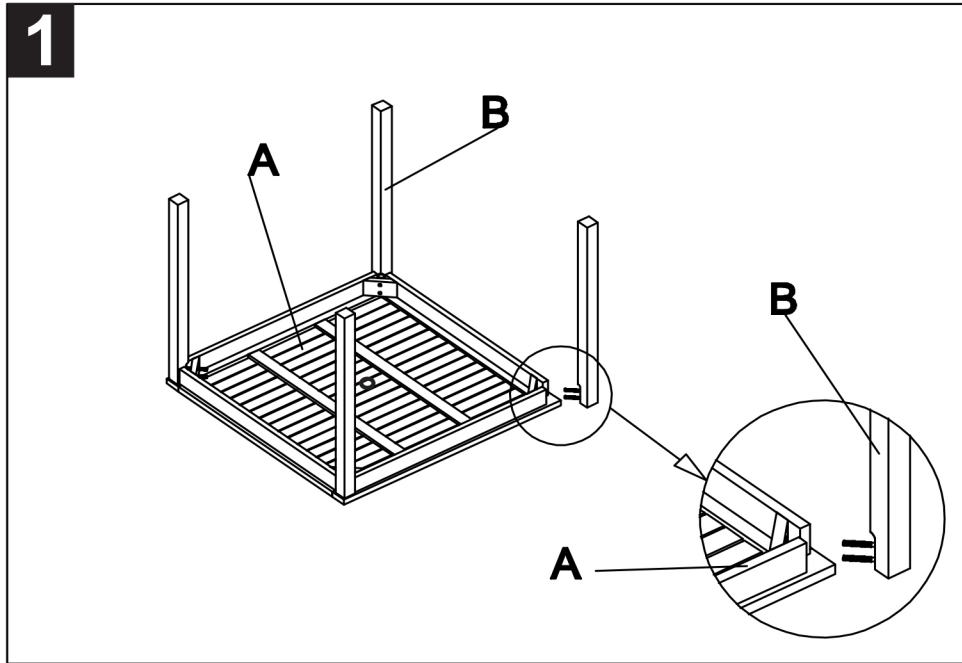
Warning : Do not stand on the chair

Warning : Do not torque bolts / screws

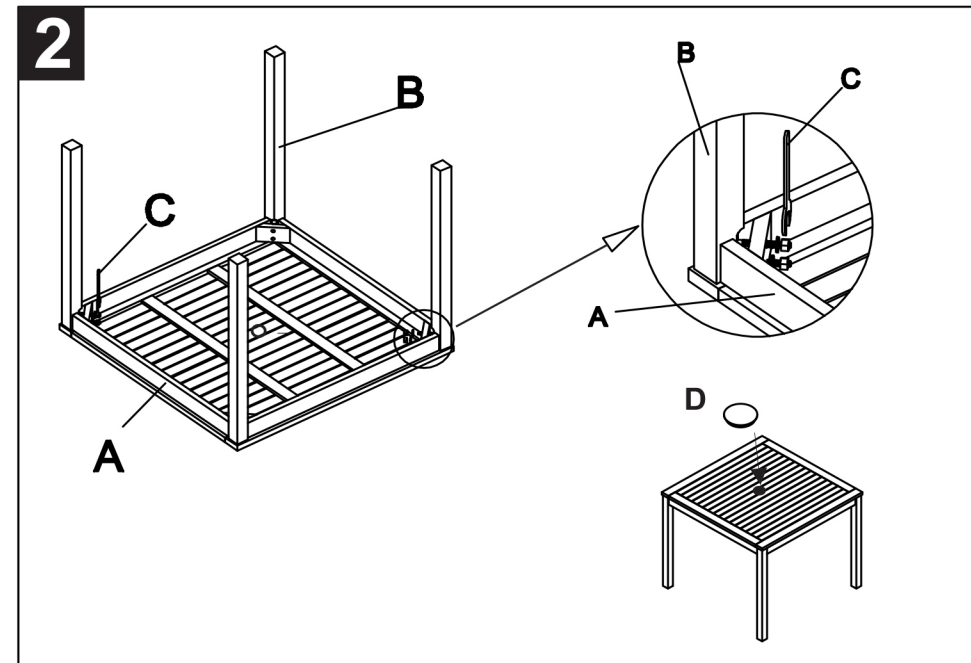


# PREPARATION

Before beginning the assembly of the product, make sure all parts are present. Compare the parts with the package contents list and hardware contents list. If any parts are missing or damaged, do not attempt to assemble the product. Tool required for assembly (included): Wrench.



Step 1: turn the table top (A). Then attach the 4 legs (B) as shown on the picture.



Step 2: use the wrench (C) to tighten all bolts as shown on the picture.

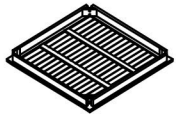



# CARE AND MAINTENANCE

Store outdoor furniture indoors or cover well when it is not in use. Dust regularly with small brush or vacuum. Spills should be taken care of immediately before they harden or stain with a slightly dampened sponge.

# NOTICE

Please make sure that you have all parts indicated before you begin assembly of this item.

## Part List and Hardware List

PIECE	DESCRIPTION	PICTURE	QUANTITY
<b>A</b>	Table top		<b>1 X</b>
<b>B</b>	Leg		<b>4 X</b>
<b>C</b>	Wrench		<b>1 X</b>
<b>D</b>	Lid		<b>1 X</b>

Product Dimension: 35.43"W x 35.43"D x 29.53"H

Weight capacity : 40 lbs.

Warning : Do not stand on the table

Warning : Do not torque bolts / screws

