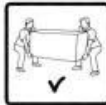


ASSEMBLY TIPS:

1. Remove hardware from box and sort by size.
2. Please check to see that all hardware and parts are present prior to start of assembly.
3. Please follow attached instructions in the same sequence as numbered to assure fast & easy assembly.

**Warning!**

1. Don't attempt to repair or modify parts that are broken or defective. Please contact the store immediately.
2. This product is for home use only and not intended for commercial establishments.

**ASSEMBLY TIME****20 MINUTES****PARTS IDENTIFICATION****B1 (BOX 1)**

| | PART NAME | FIGURE | QTY |
|---|---------------------|--------|-----|
| A | HEADBOARD PANEL | | 1PC |
| B | FOOTBOARD | | 1PC |
| C | RIGHT HEADBOARD LEG | | 1PC |
| D | LEFT HEADBOARD LEG | | 1PC |

B2 (BOX 2)

| | | | |
|---|---------------------------------|--|------|
| E | BED RAIL | | 2PCS |
| F | CONCEAL PANEL | | 6PCS |
| G | BED SLAT | | 5PCS |
| H | BED SLAT SUPPORT WITH LEVELER | | 8PCS |
| I | DRAWER BOTTOM TRESTLE BAR | | 1PC |
| J | DRAWER SUPPORT RAIL | | 2PCS |
| K | DRAWER SUPPORT LEG WITH LEVELER | | 1PC |

B3 (BOX 3)

| | | | |
|----|-------------------------------|--|------|
| L | DRAWER BOX | | 2PCS |
| HB | FROM BOX 1 HEADBOARD COMPLETE | | 1PC |
| B | FROM BOX 1 FOOTBOARD | | 1PC |

HARDWARE IDENTIFICATION**Z-B1 (BOX 1)- HARDWARE PACK**

| | HARDWARE NAME | FIGURE | QTY |
|---|------------------------------------|--------|------|
| 1 | BOLT (M6 x 30mm - BLK) | | 6PCS |
| 2 | LOCK WASHER (1/4" - RBW) | | 6PCS |
| 3 | FLAT WASHER (1/4" ID x 13mm - BLK) | | 6PCS |
| 4 | ALLEN WRENCH (M4 x 65mm - BLK) | | 1PC |

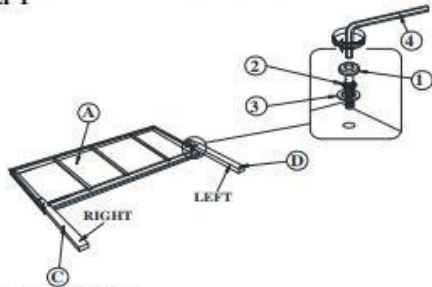
Z-B2 (BOX 2)- HARDWARE PACK

| | | | |
|----|--------------------------------------|--|-------|
| 5 | FLAT HEAD SCREW (M4 x 32mm - RBW) | | 14PCS |
| 6 | PAN HEAD SCREW (M3.5 x 20mm - BLK) | | 30PCS |
| 7 | SHORT BOLT (M6 x 35mm - BLK) | | 2PCS |
| 8 | LONG BOLT (M6 x 50mm - BLK) | | 9PCS |
| 9 | LOCK WASHER (1/4" - RBW) | | 2PCS |
| 10 | FLAT WASHER (1/4" ID x 13mm - BLK) | | 2PCS |
| 11 | SMALL ALLEN WRENCH (M4 x 65mm - BLK) | | 1PC |
| 12 | BIG ALLEN WRENCH (M5 x 65mm - BLK) | | 1PC |

NOTE : PHILLIPS HEAD SCREW DRIVER IS REQUIRED IN THE ASSEMBLY PROCESS; HOWEVER, MANUFACTURER DOES NOT PROVIDE THIS ITEM.

BOX 1

STEP 1

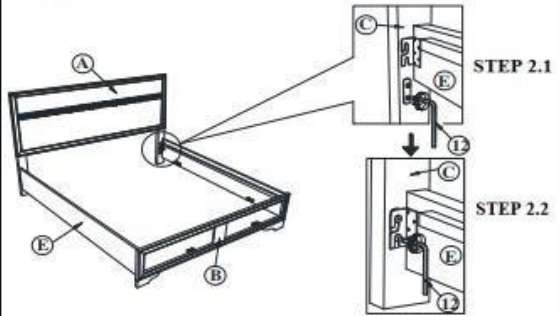


****BACK VIEW****

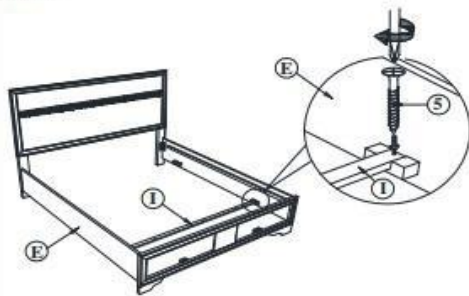
Note: Please take note of the marking sticker (L & R) on the headboard legs.

BOX 1 & BOX 2

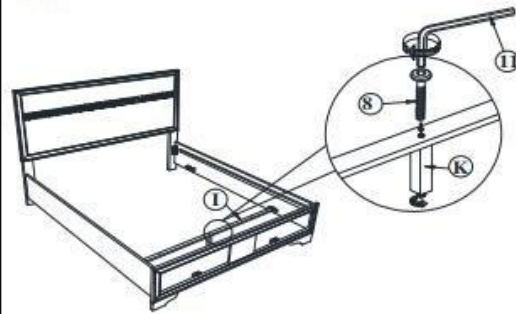
STEP 2



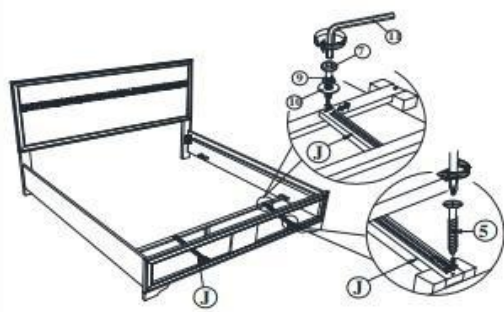
STEP 3



STEP 4

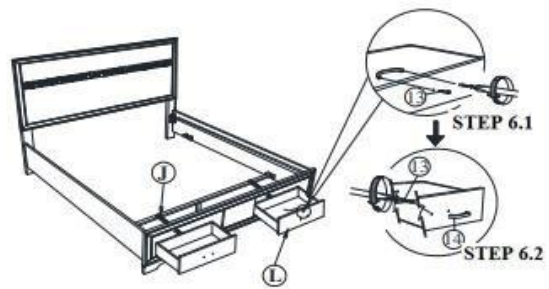


STEP 5

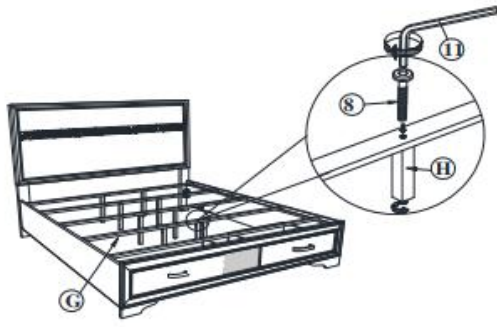


BOX 1 TO BOX 3

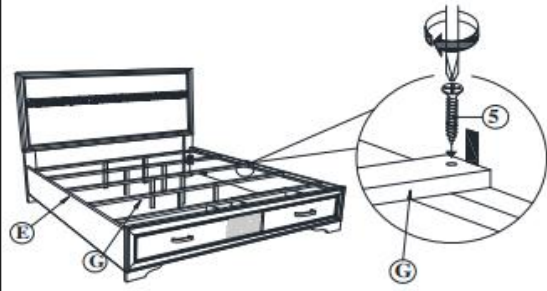
STEP 6



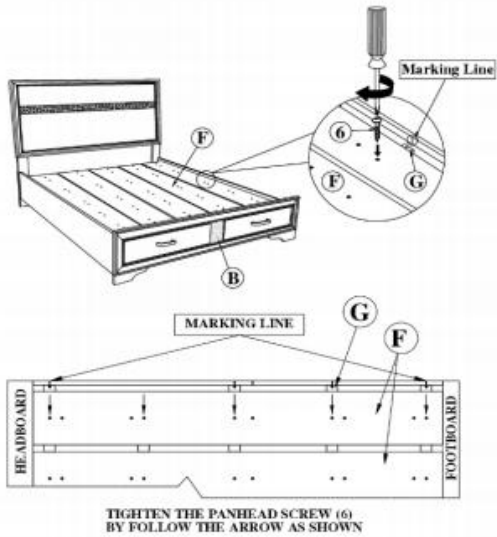
STEP 7



STEP 8



STEP 9



STEP 10
COMPLETE

