

INSTALLATION INSTRUCTIONS


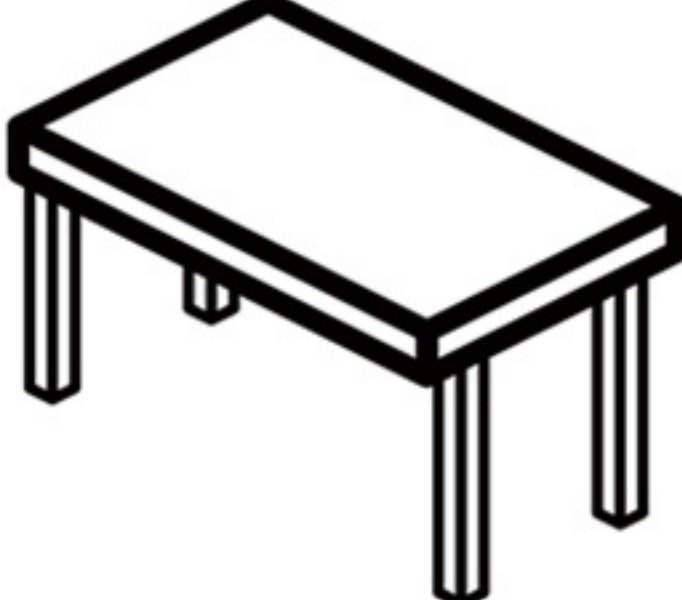



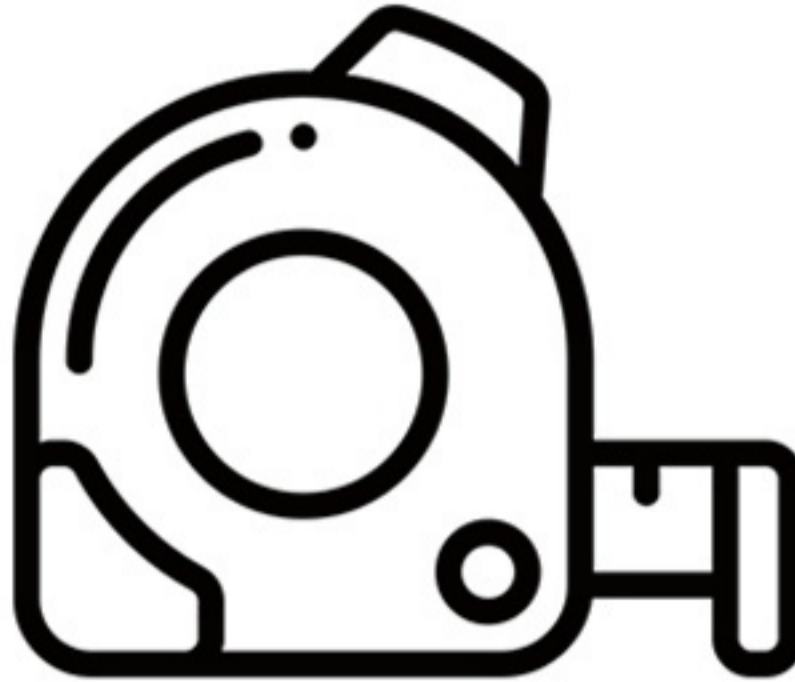
8x8 ft Storage Shed



After opening the package, if you notice a slight deformation in the wall panels, there's no need for concern. Our material is flexible and can be manually bent back into place.

Recommended to wear gloves to avoid scratches.
Please read the instructions COMPLETELY before assembly.

REQUIRED TOOLS



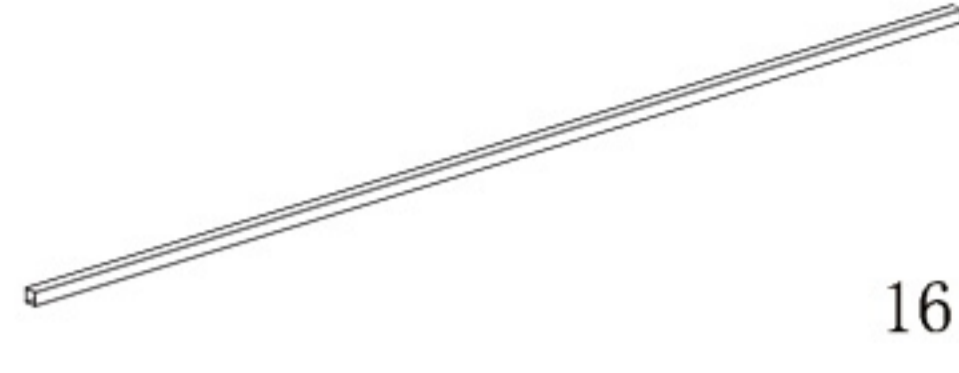

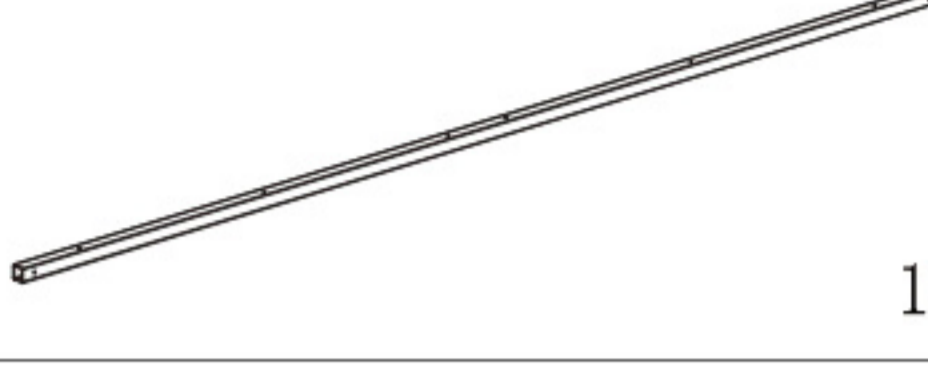
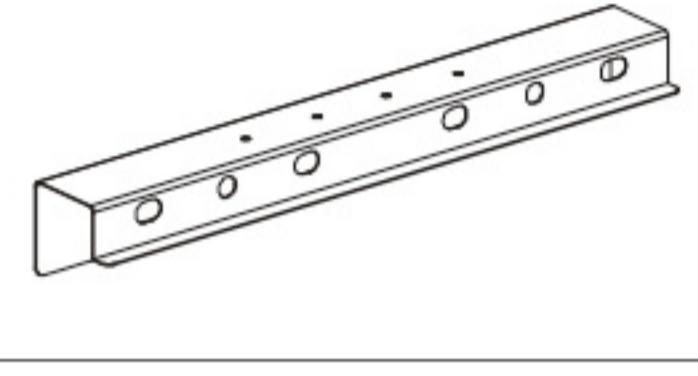
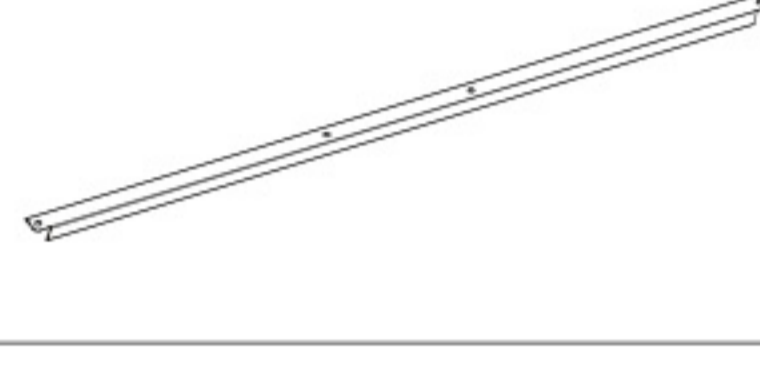
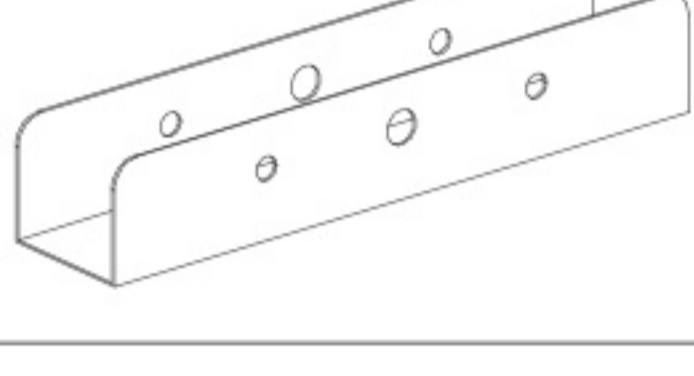
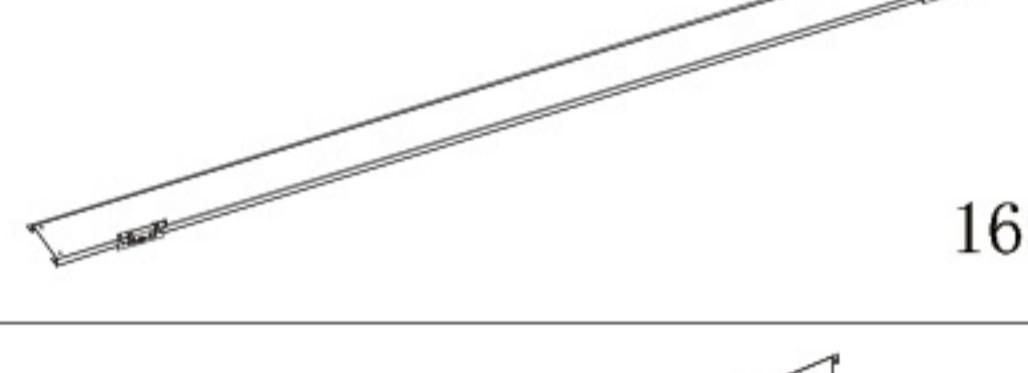
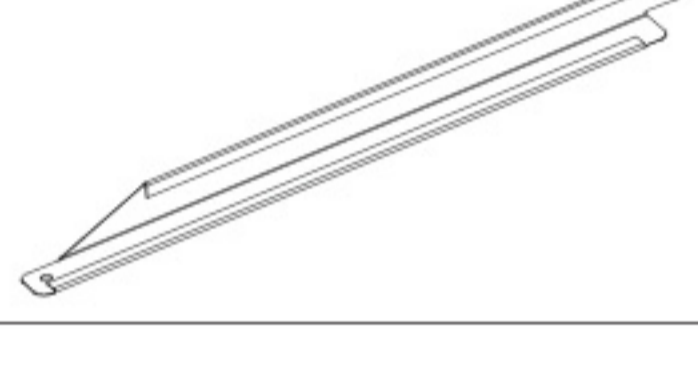
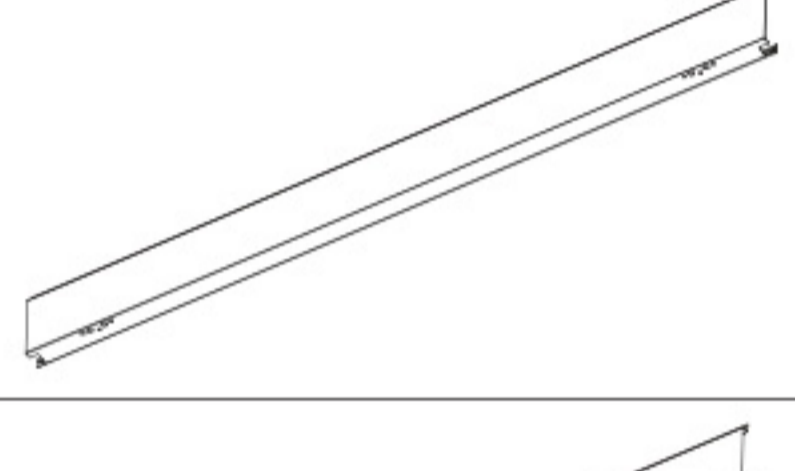

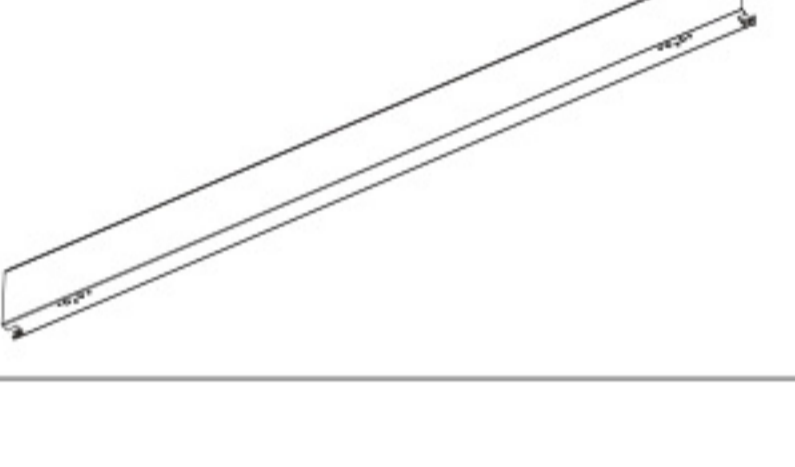
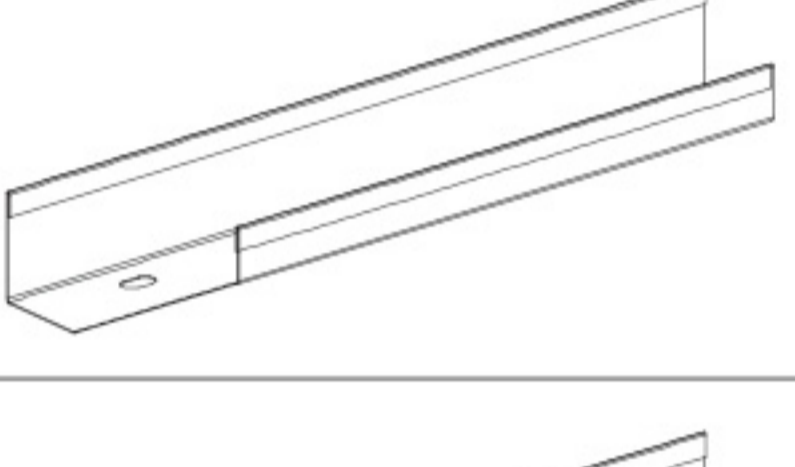

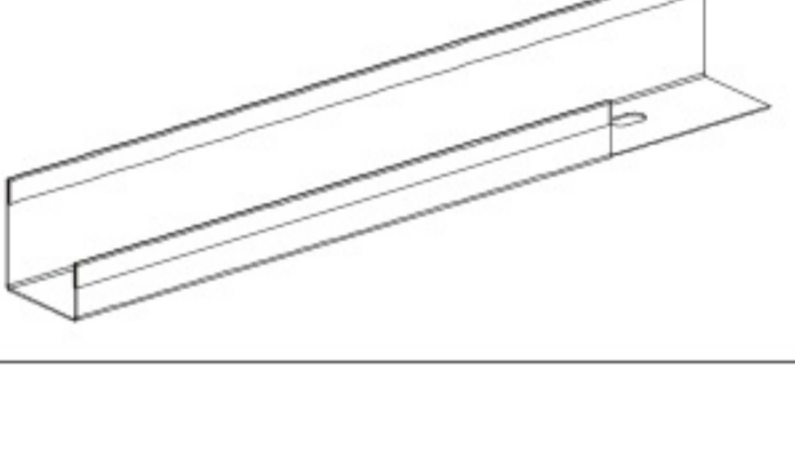
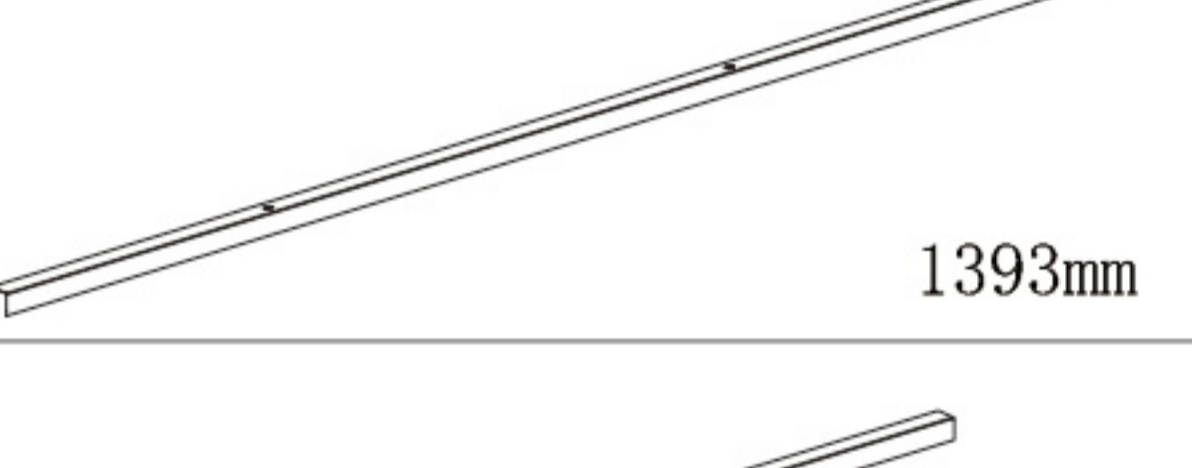
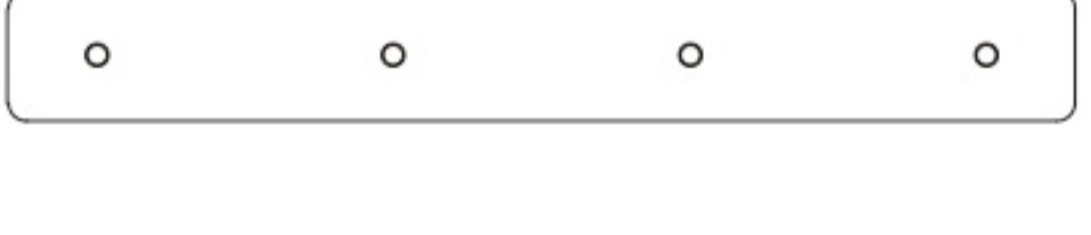
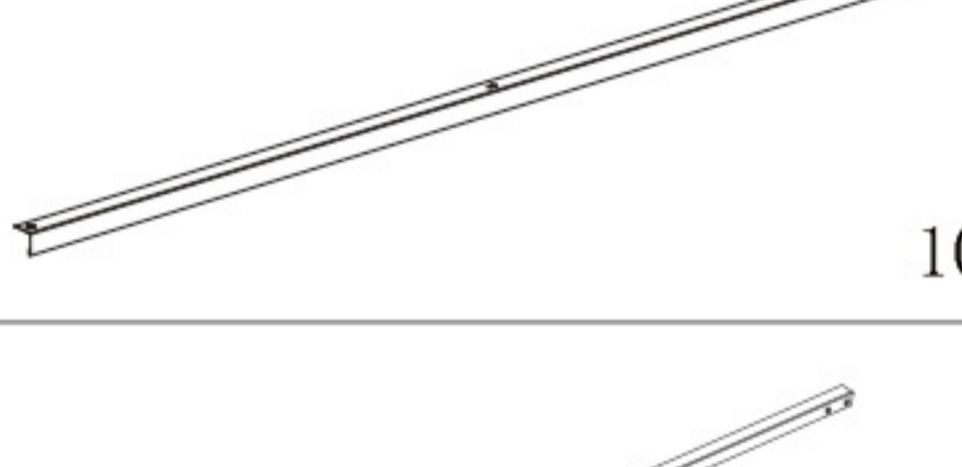
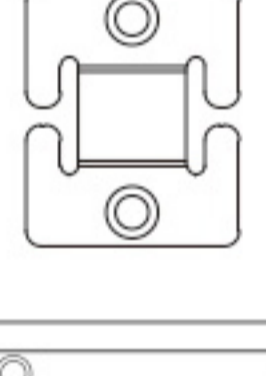

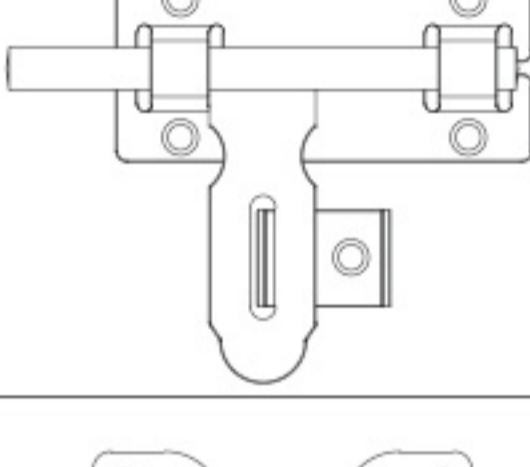

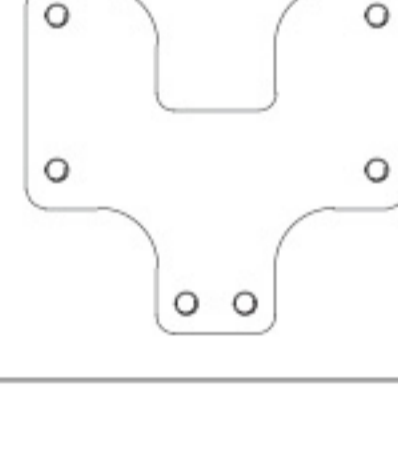
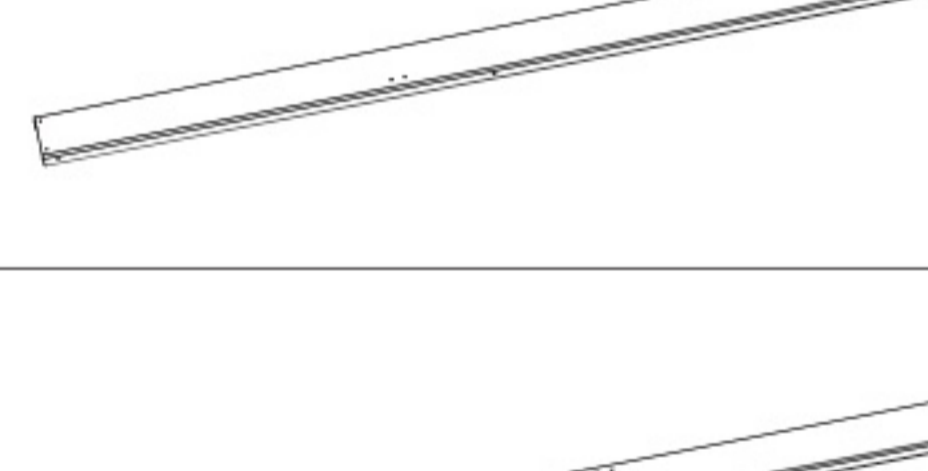
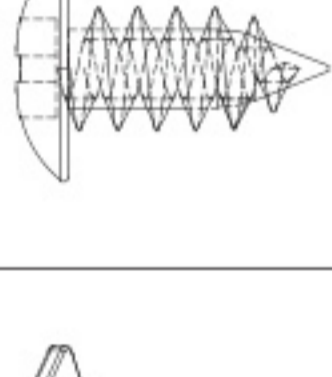
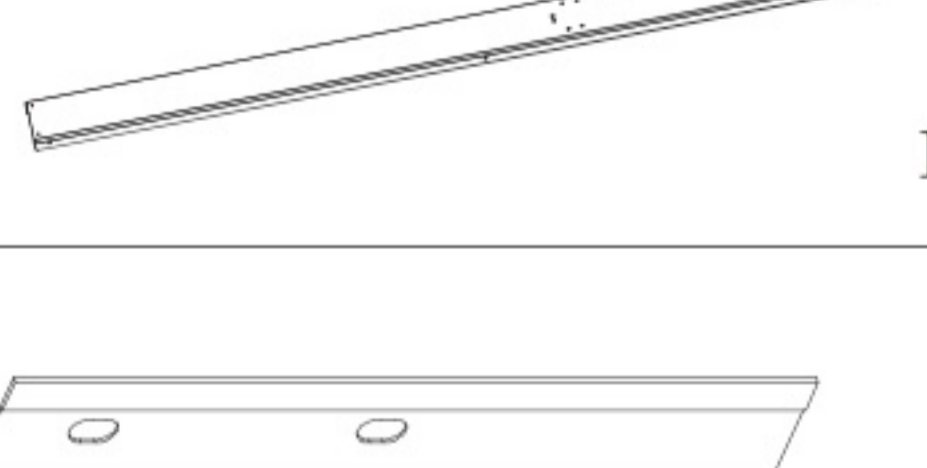
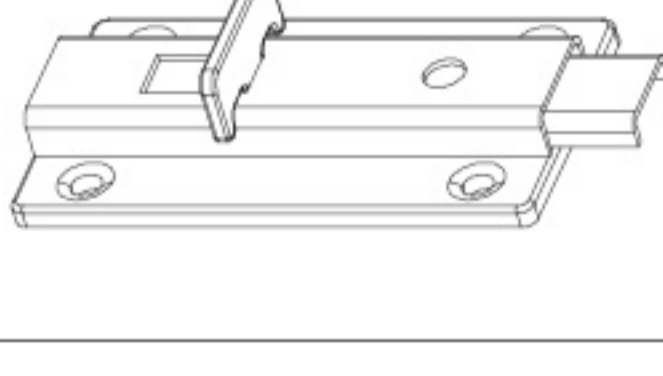
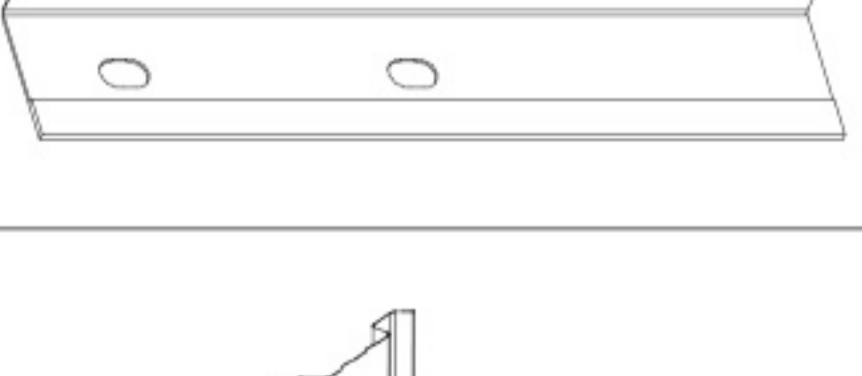
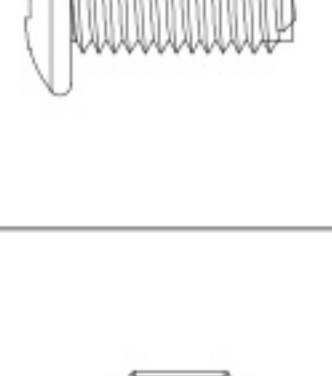


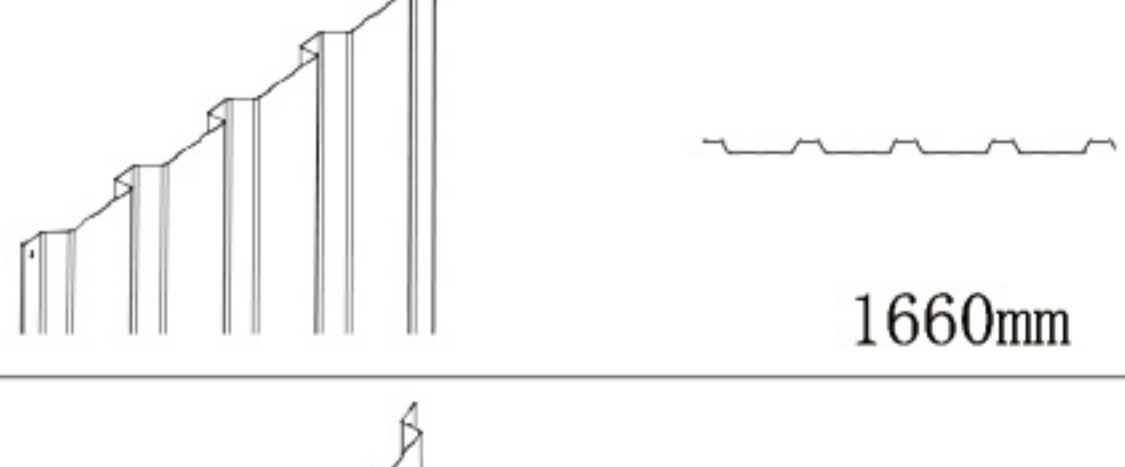
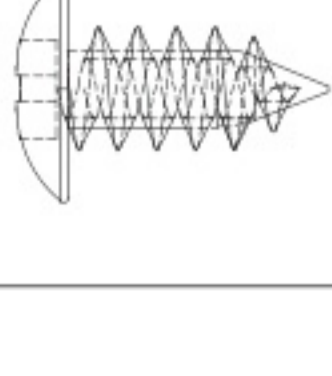

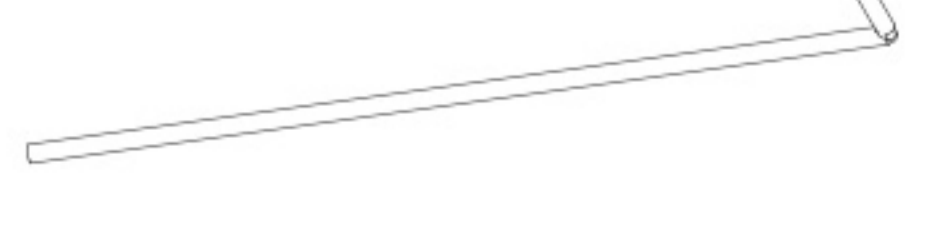
| | | | |
|--------------|---|---|---|
| Tools |  |  |  |
| | Gloves | Table | Ladder |
| |  |  |  |
| | Power drill | Screw driver | Tape Measure |

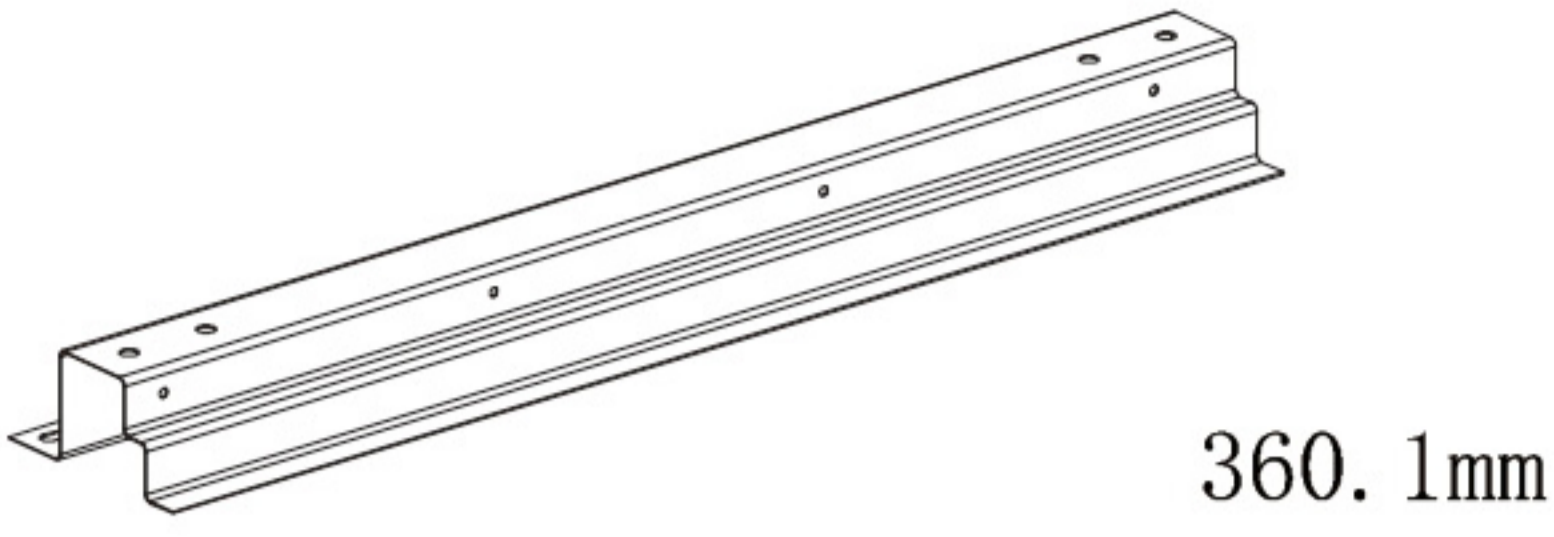
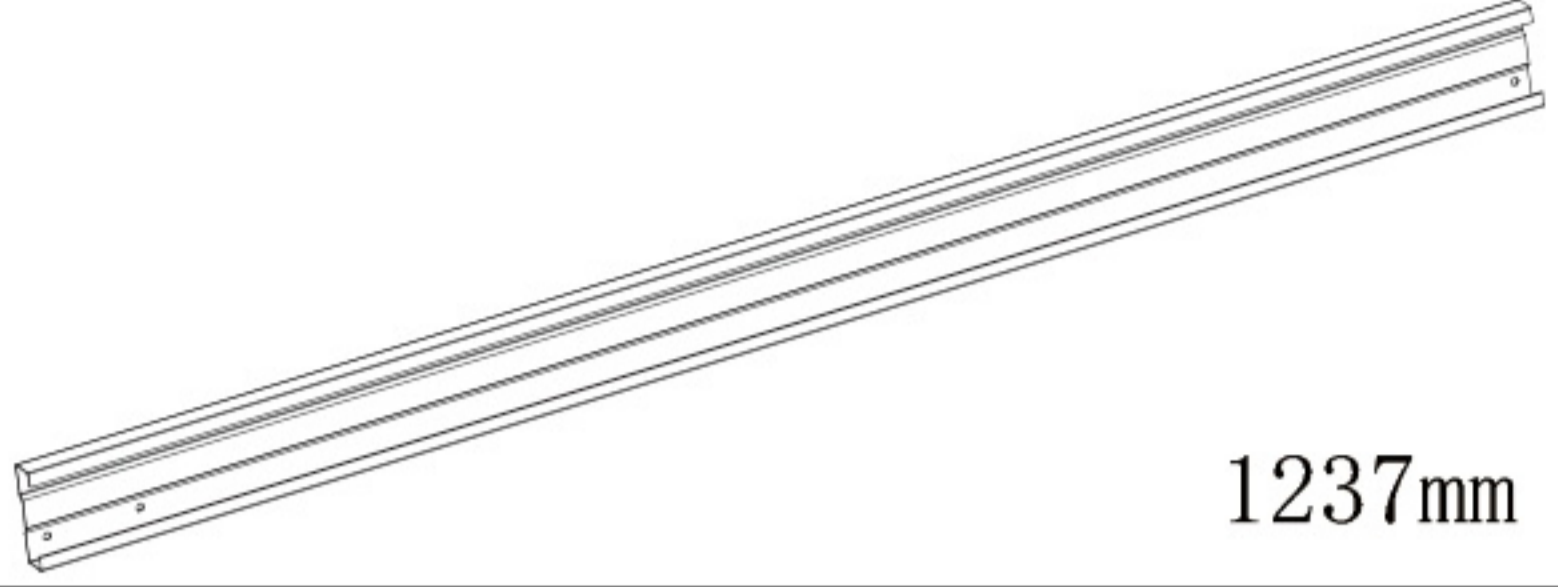
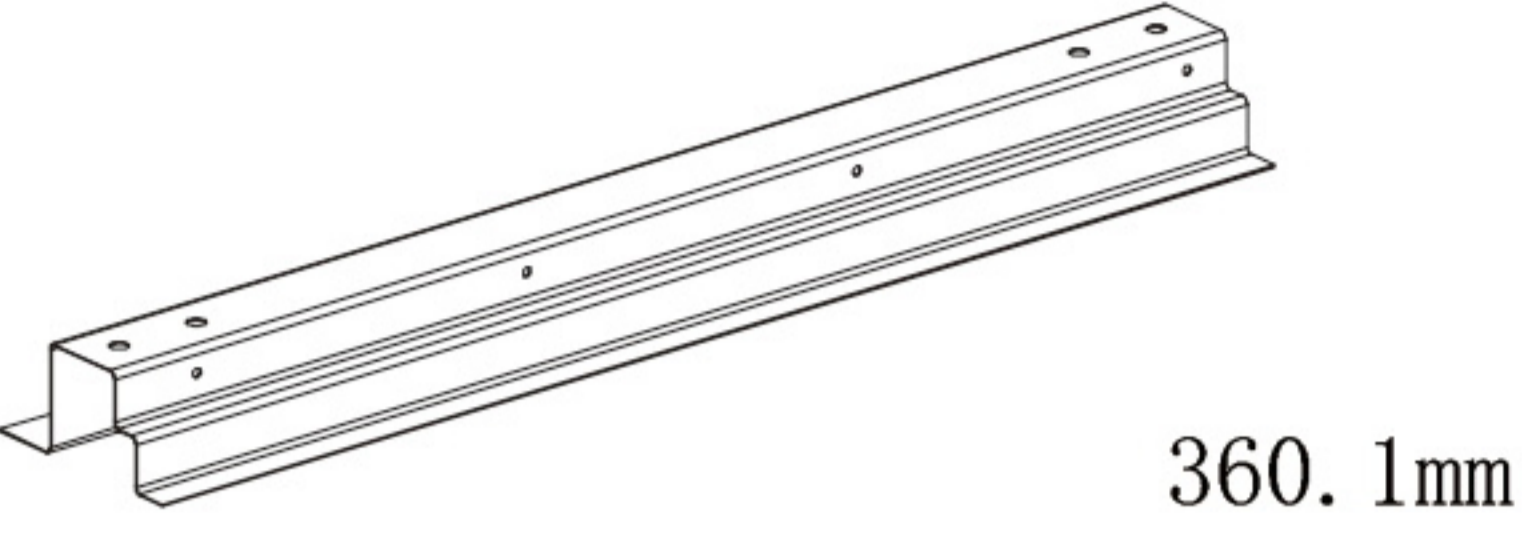
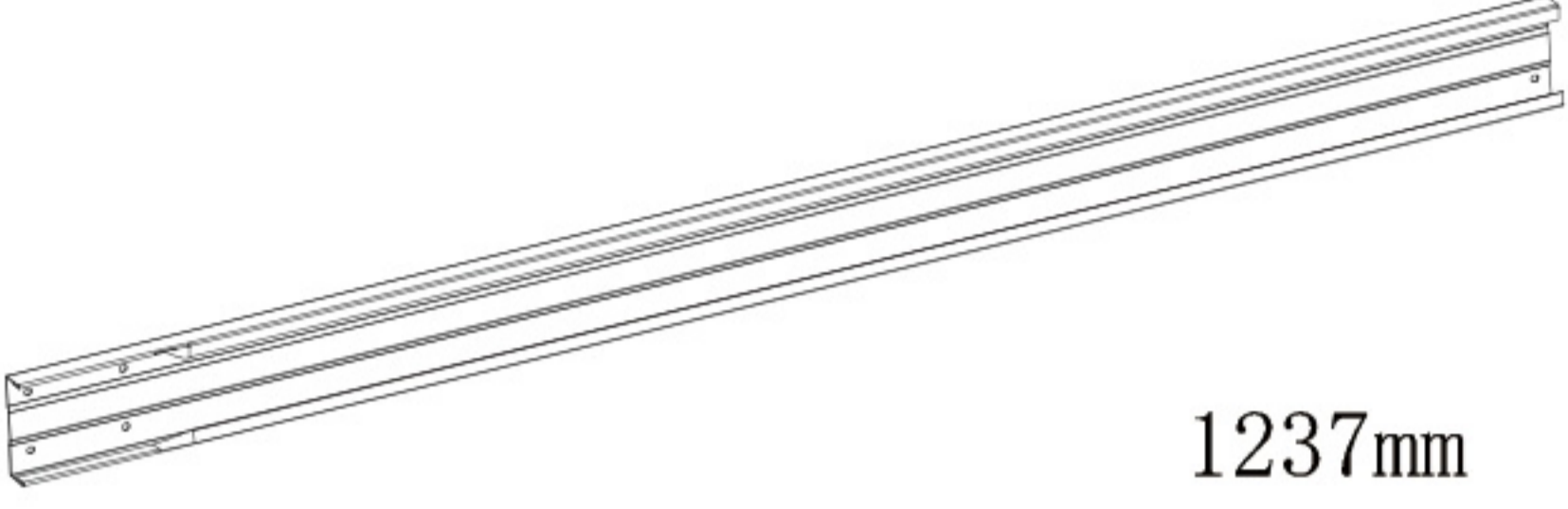

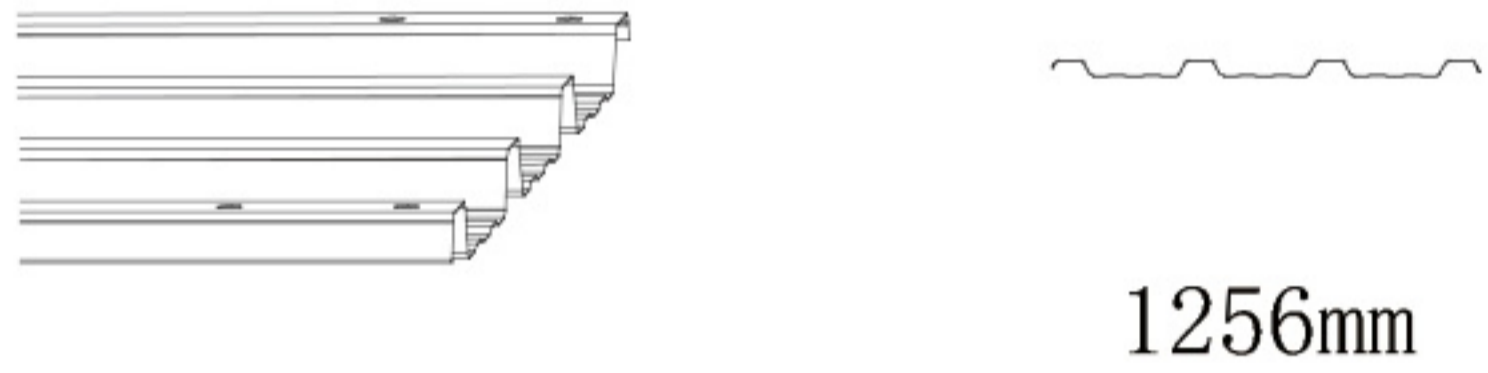
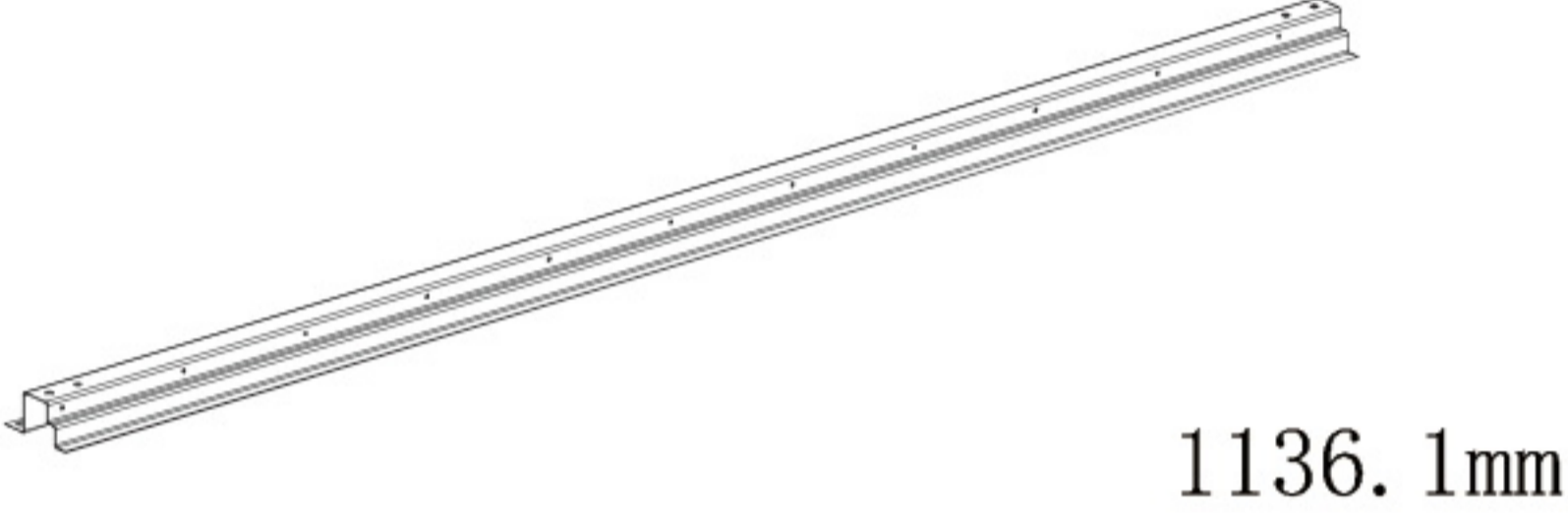
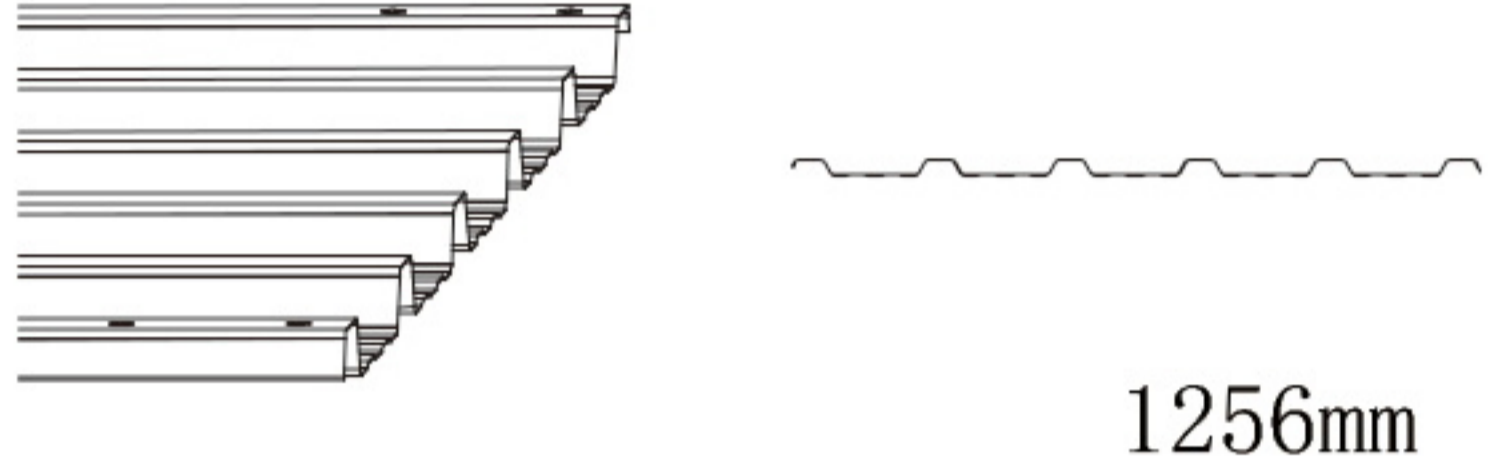
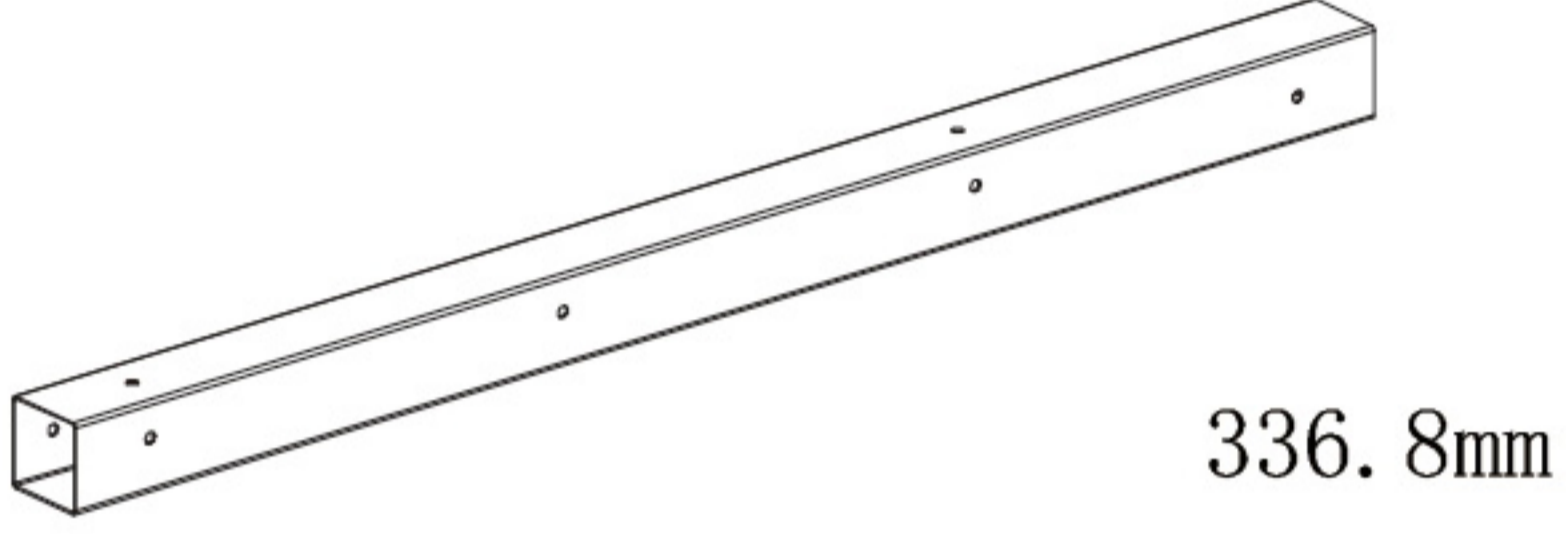
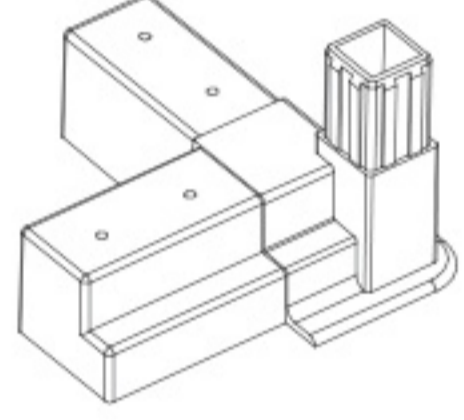
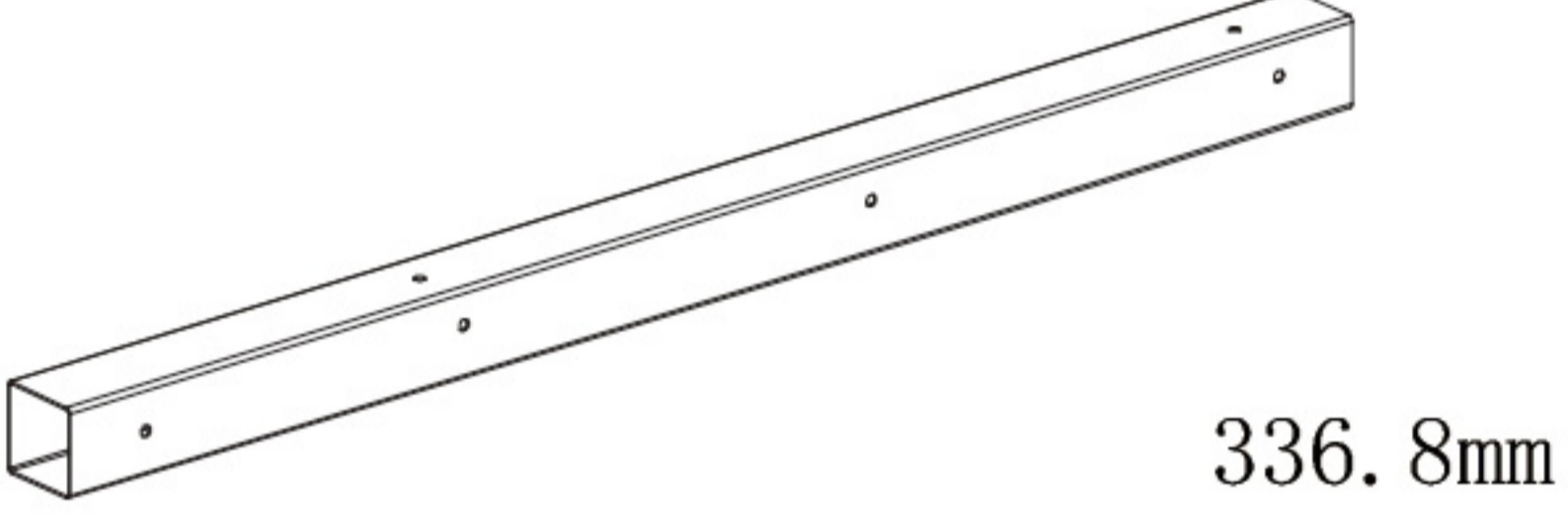

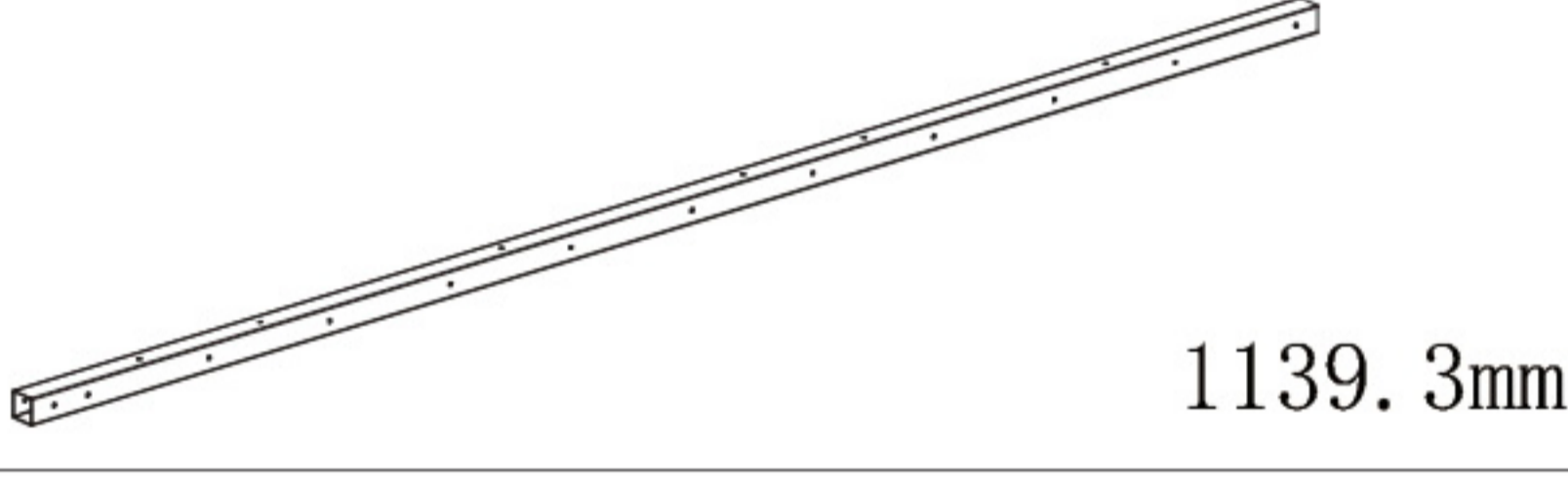
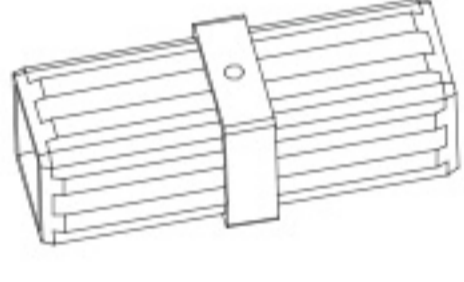
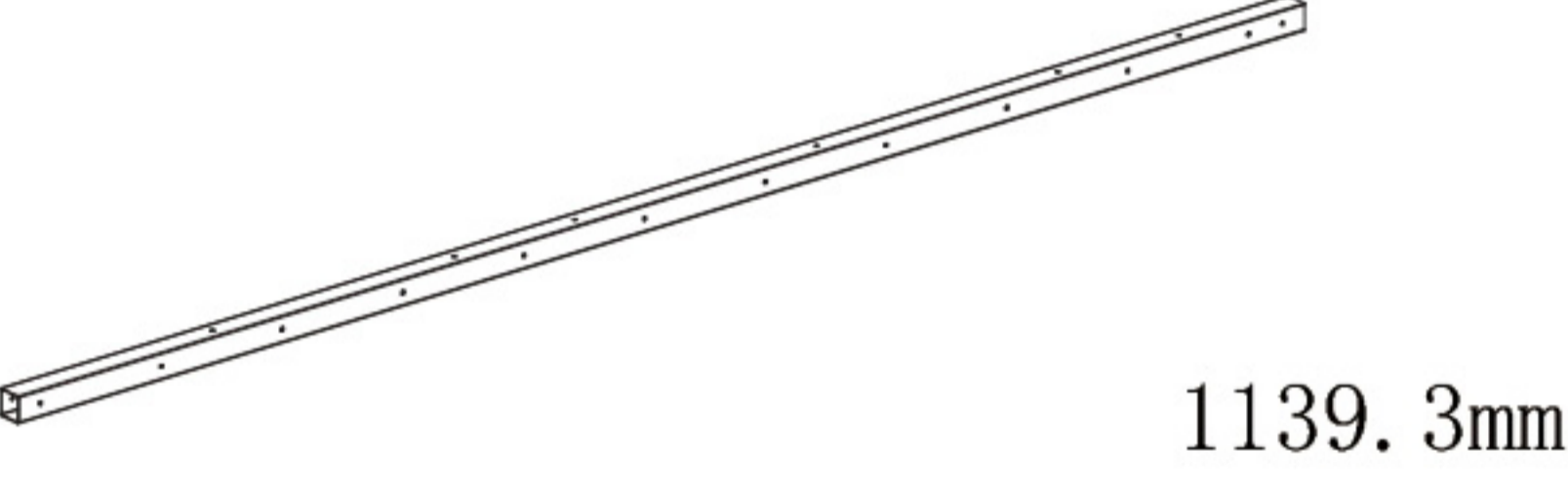

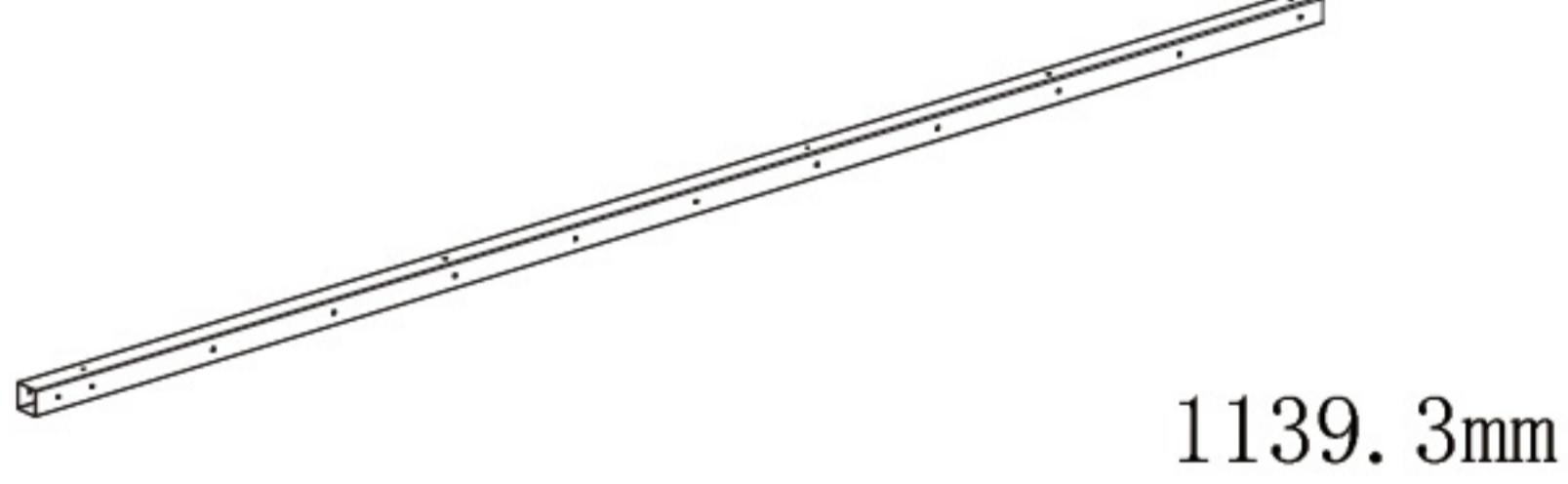
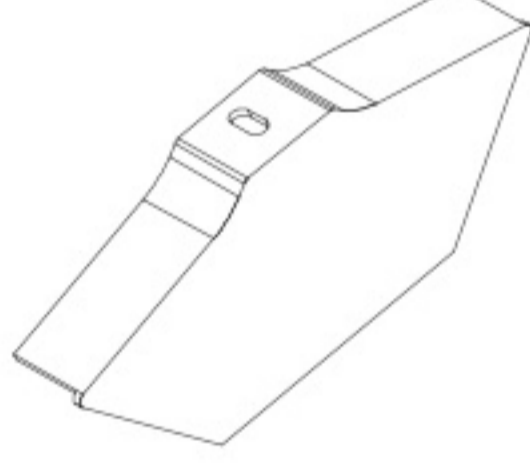
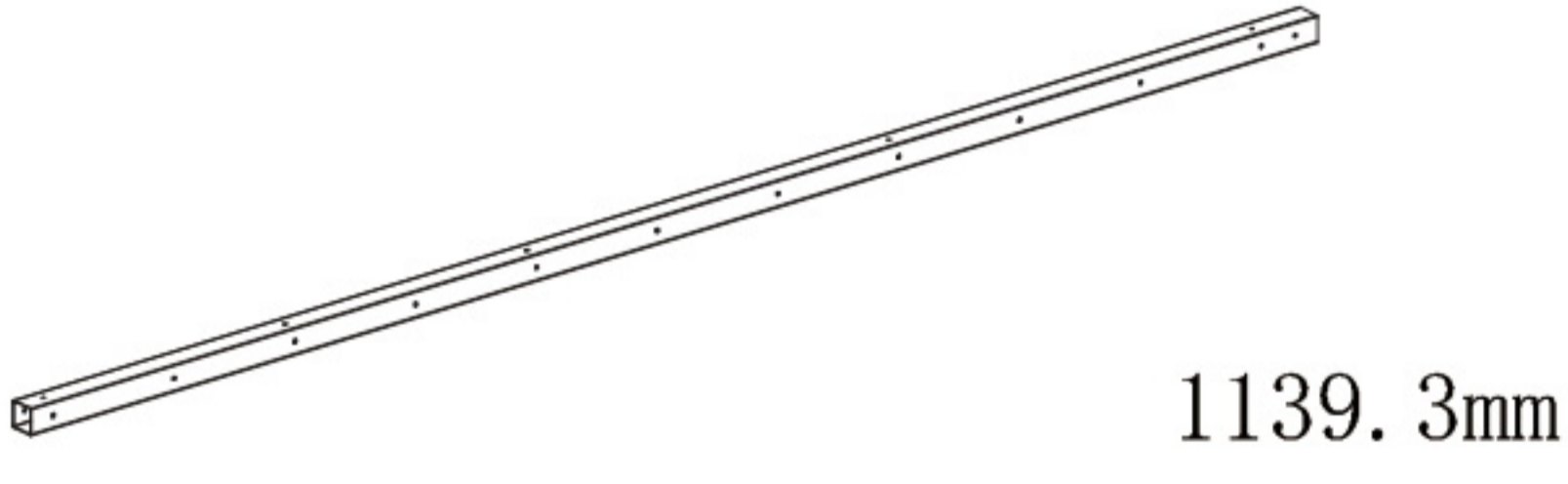

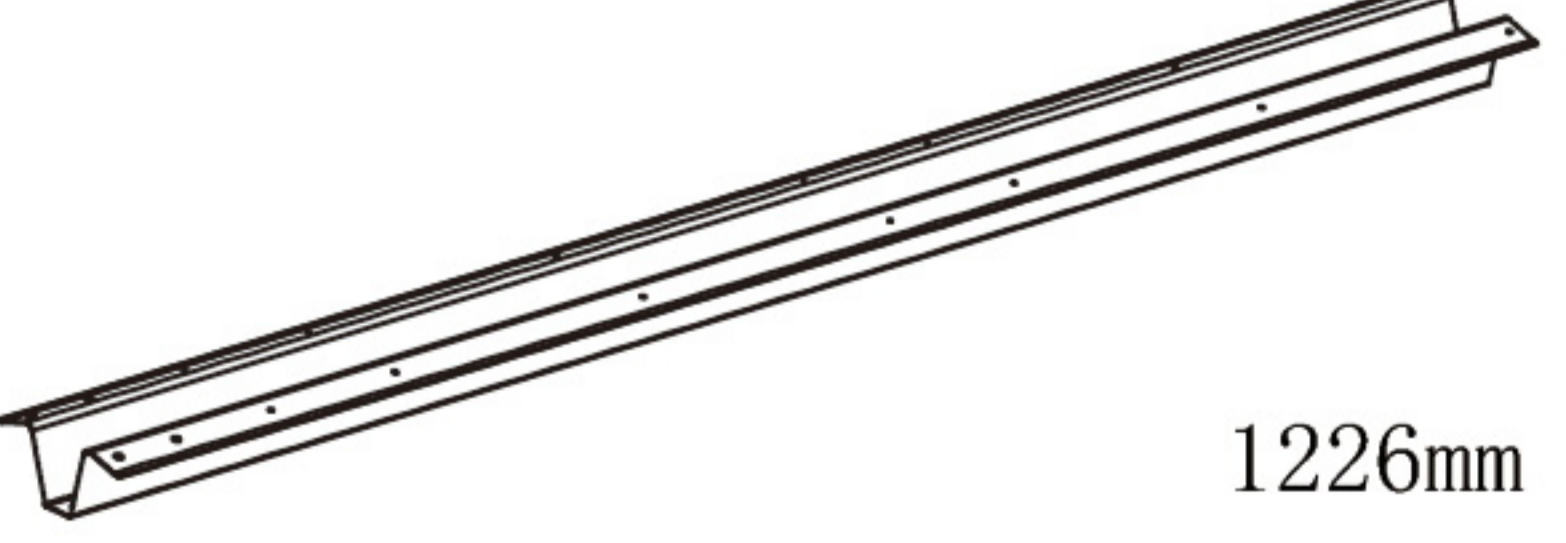
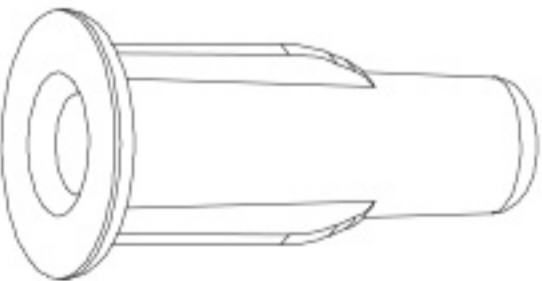
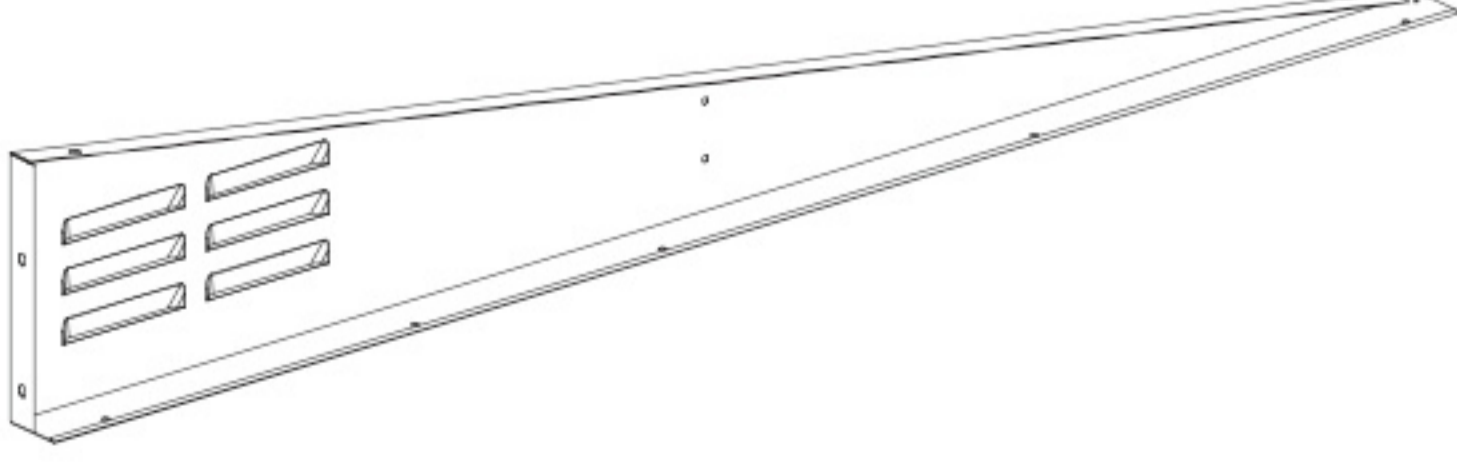
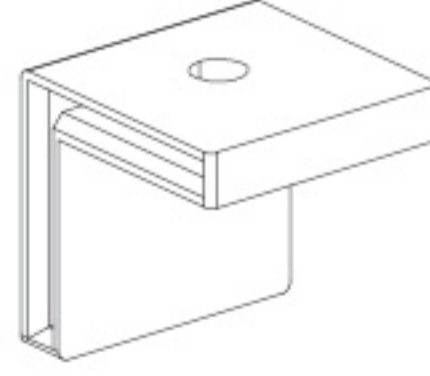
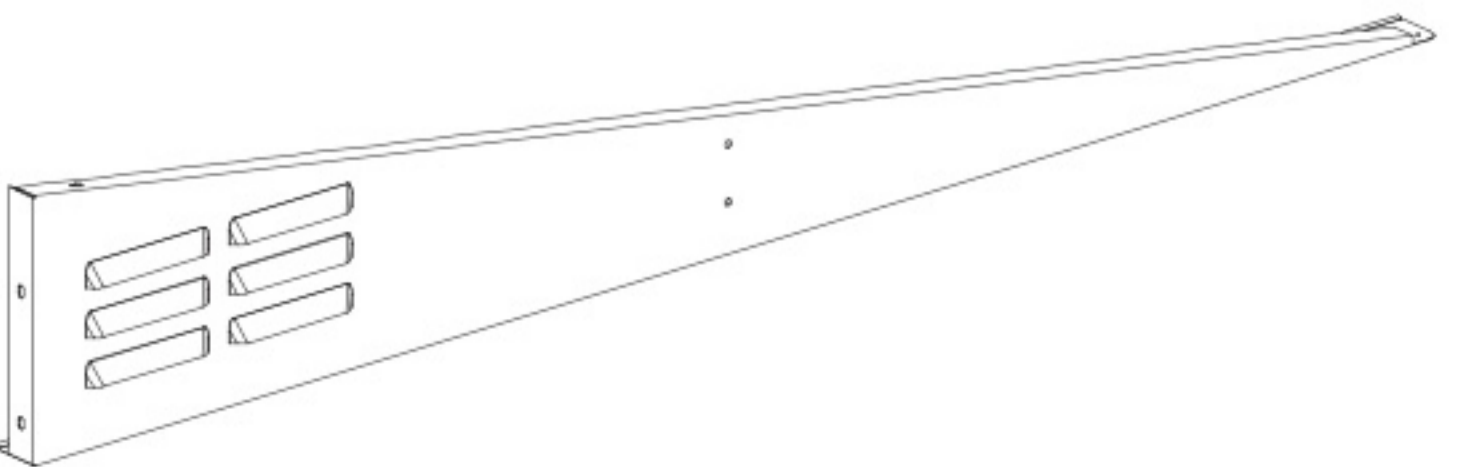
ASSEMBLY TIPS

1. Clear a working area to allow access on all four sides. A raised work surface will make assembly easier. It is easier to install the wall panel on the table.
2. All parts are identified, so when working through the instructions page by page, the diagrams show where each part is positioned.
3. Before starting, to avoid any accidental injury, we recommend the use of gloves to protect your hands.
4. Please keep children away from your construction site.
5. Most assembly can be completed by one person, but assistance may be needed when you reach the erection stage.
6. Please note: Some local government authorities have rules & regulations on shed installation, and you may need approval to erect this shed.

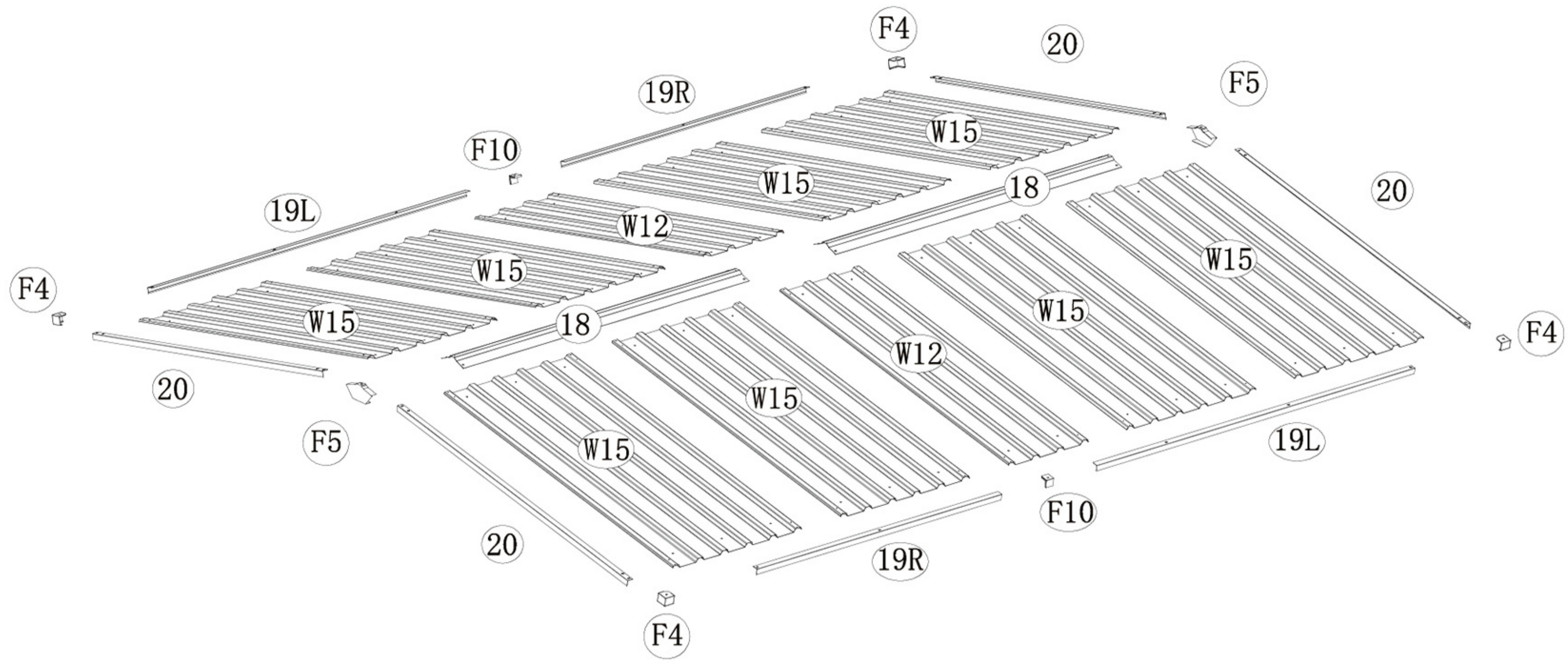
ASSEMBLY STEPS

1. Unpack all components from the carton and lay them out beside your work area. Check parts against the parts list.
2. Work through the assembly instructions page by page.
3. Once assembly is completed, place the shed in position and fix the anchor to the ground.
4. Clean up all metal pieces and screws.

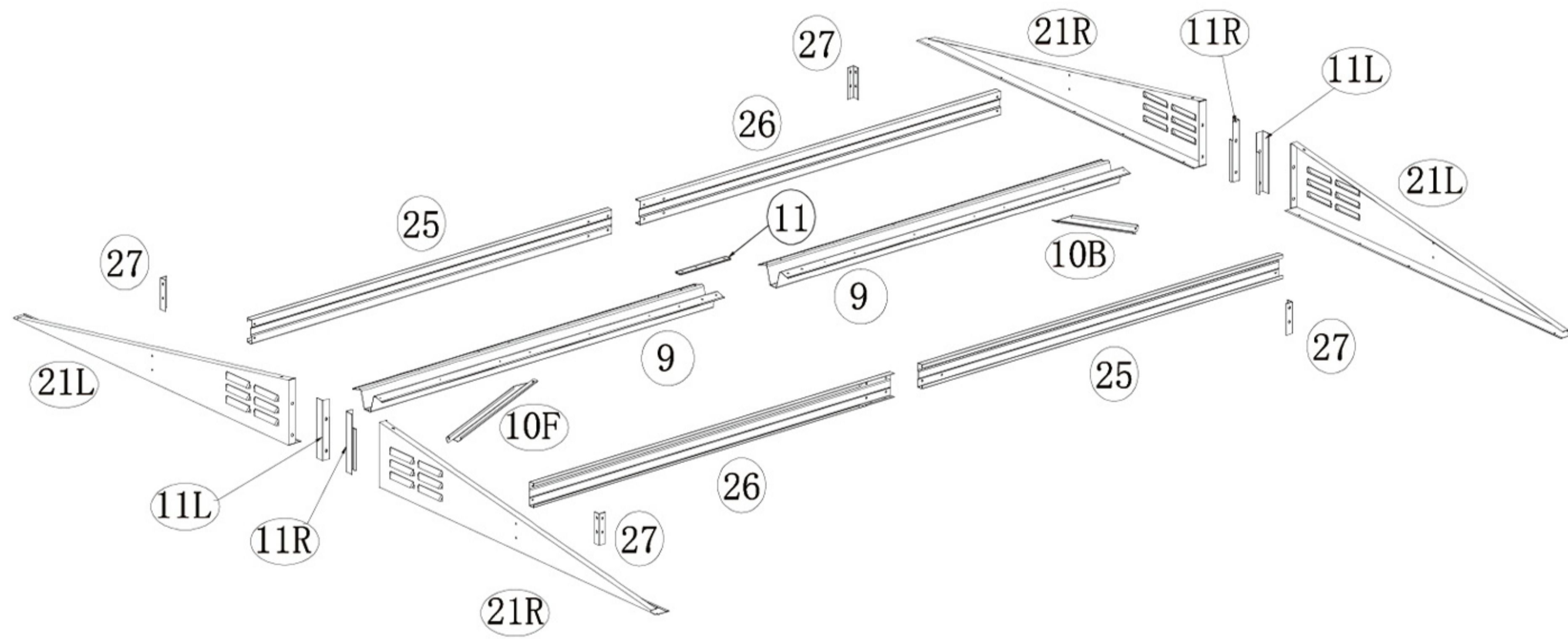
| NO. | PART. | Qty. | NO. | PART. | Qty. |
|-----|---|------|-----|--|------|
| 1 |  1552mm | 1 | M1 |  1650mm | 2 |
| 5 |  1610mm | 4 | S17 |  | 2 |
| 6 |  1598mm | 1 | 4B |  200mm | 5 |
| 15 |  981mm | 4 | 10 |  100mm | 5 |
| 16 |  1652mm | 2 | 10F |  353mm | 1 |
| 17L |  1660mm | 1 | 10B |  353mm | 1 |
| 17R |  1660mm | 1 | 11L |  230mm | 2 |
| 18 |  1250.5mm | 2 | 11R |  230mm | 2 |
| 19L |  1393mm | 2 | 11 |  | 1 |
| 19R |  1072mm | 2 | S1 |  | 1 |
| 20 |  1264mm | 4 | S2 |  | 1 |
| 21 |  705mm | 4 | S3 |  | 1 |
| 22 |  1652mm | 1 | S4 |  | 374 |
| 23 |  1652mm | 1 | S5 |  | 2 |
| 27 |  117mm | 4 | S6 |  | 93 |
| W3 |  1660mm | 7 | S7 |  | 85 |
| W5 |  1660mm | 9 | S8 |  | 6 |
| W7 |  1660mm | 4 | S9 |  | 4 |

| NO. | PART. | Qty. | NO. | PART. | Qty. |
|-----|--|------|-----|---|------|
| 1L |  360.1mm | 1 | 25 |  1237mm | 2 |
| 1R |  360.1mm | 1 | 26 |  1237mm | 2 |
| 2L |  1136.1mm | 3 | W12 |  1256mm | 2 |
| 2R |  1136.1mm | 3 | W15 |  1256mm | 8 |
| 6L |  336.8mm | 1 | C |  4 | 4 |
| 6R |  336.8mm | 1 | F |  4 | 4 |
| 7F |  1139.3mm | 2 | I |  5 | 5 |
| 7B |  1139.3mm | 2 | F4 |  4 | 4 |
| 8L |  1139.3mm | 1 | F5 |  2 | 2 |
| 8R |  1139.3mm | 1 | F7 |  315 | 315 |
| 9 |  1226mm | 2 | F8 |  52 | 52 |
| 21L |  2 | 2 | F10 |  2 | 2 |
| 21R |  2 | 2 | | | |

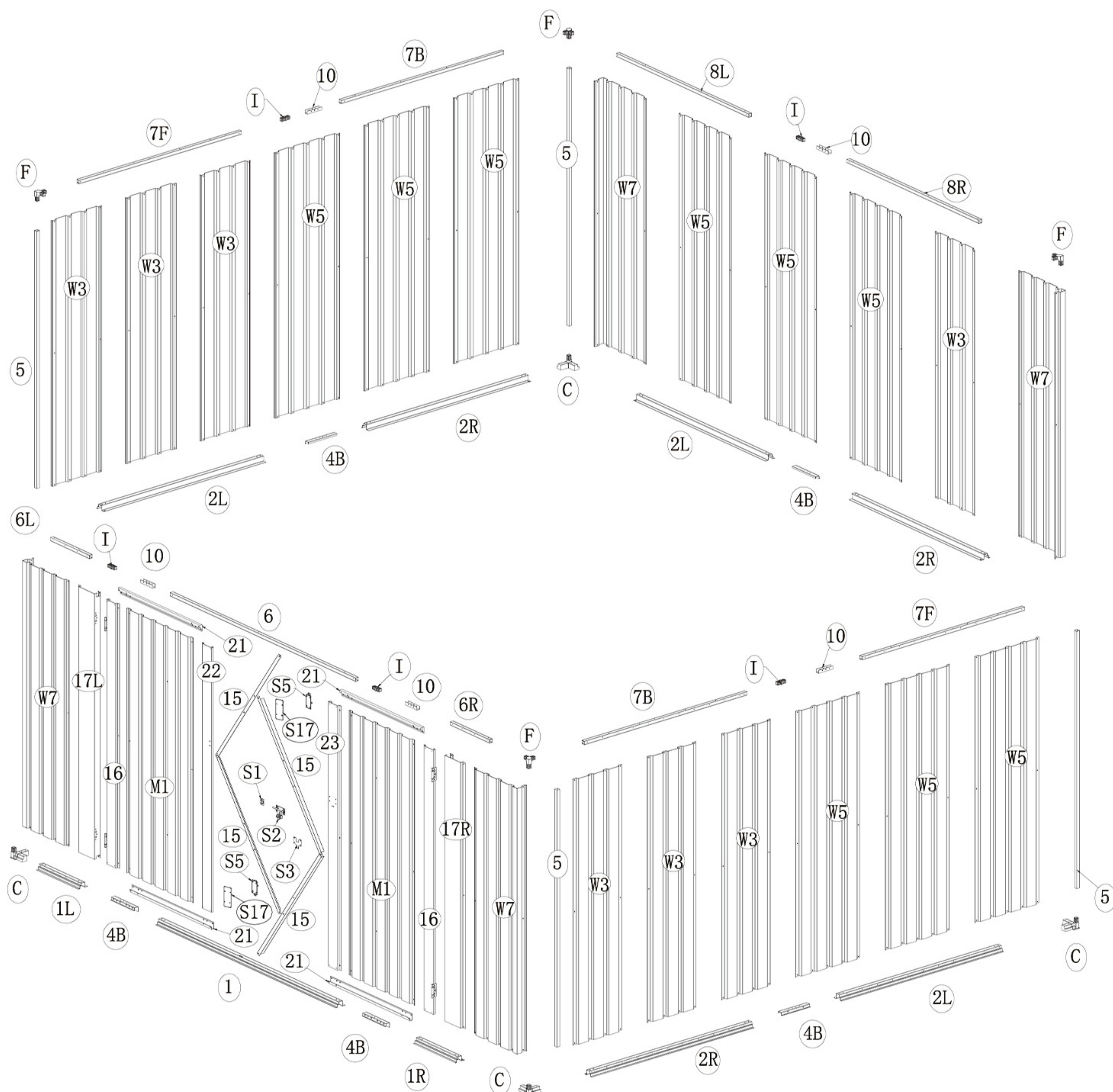
ROOF SECTION



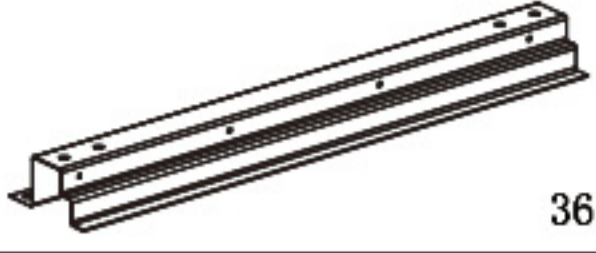
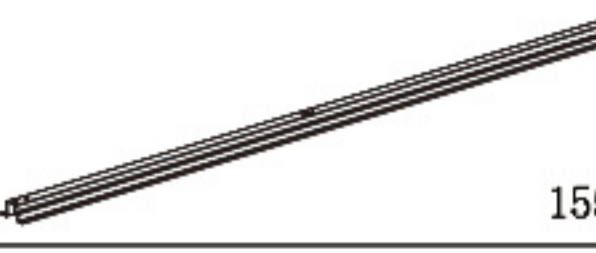
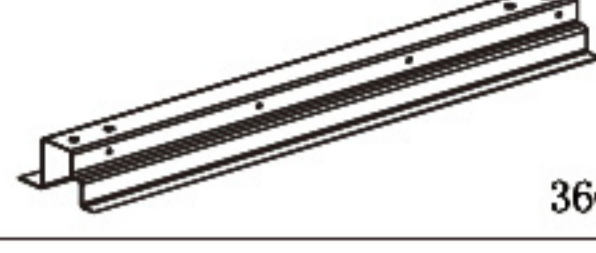
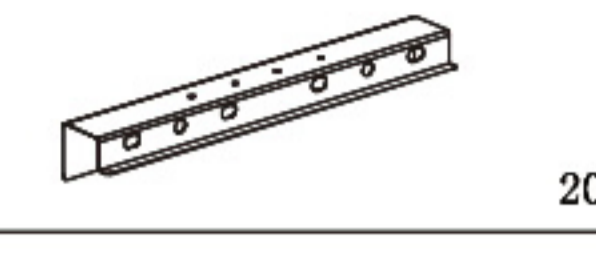
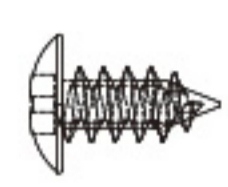
ROOF BEAM

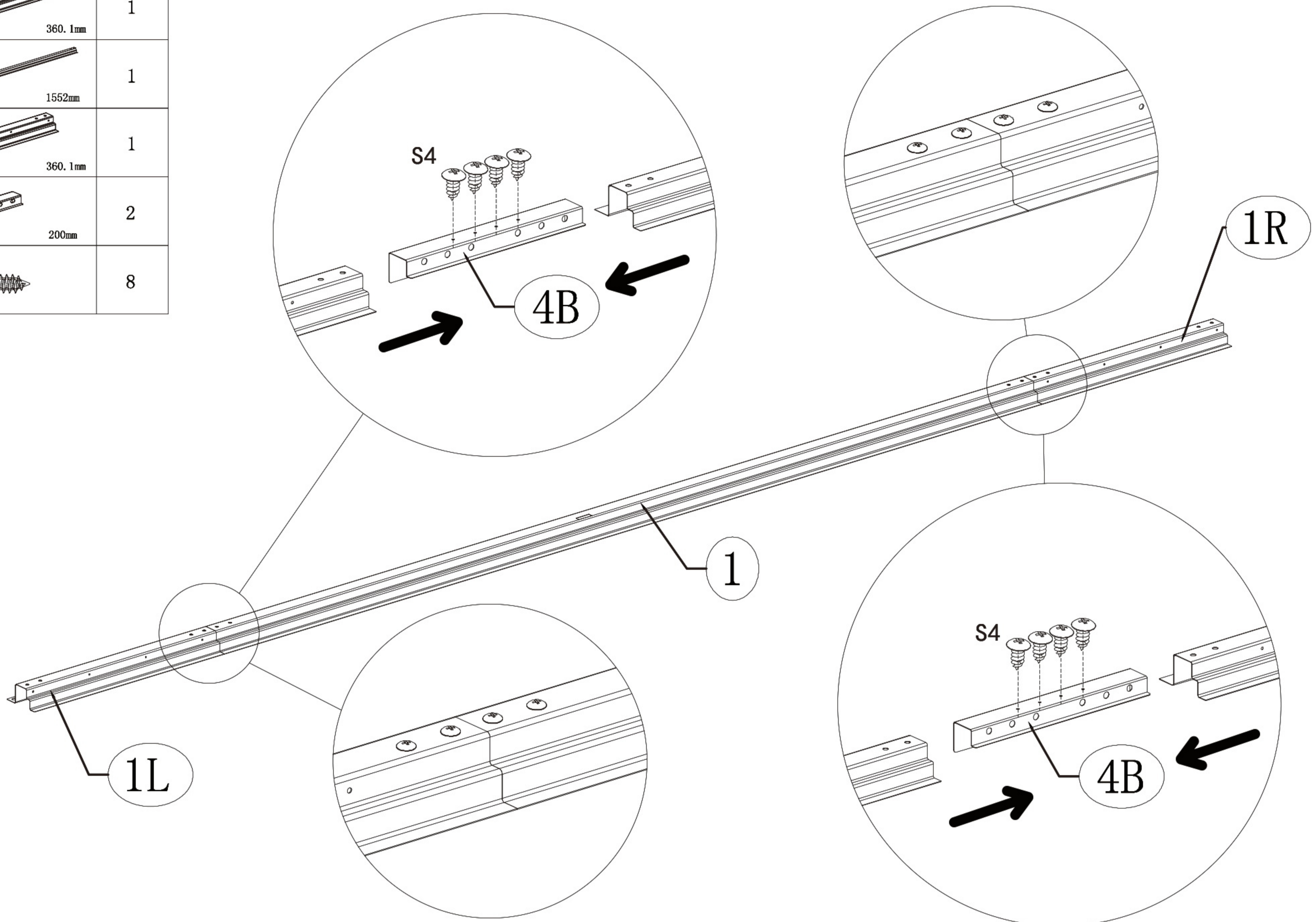


WALL SECTION



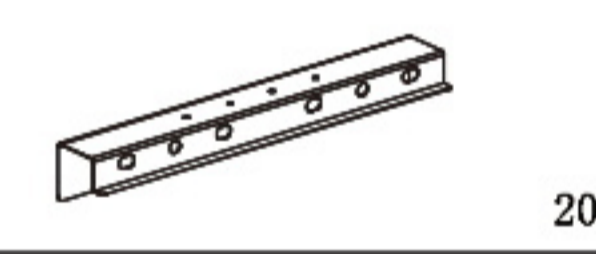
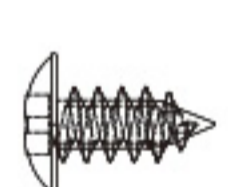


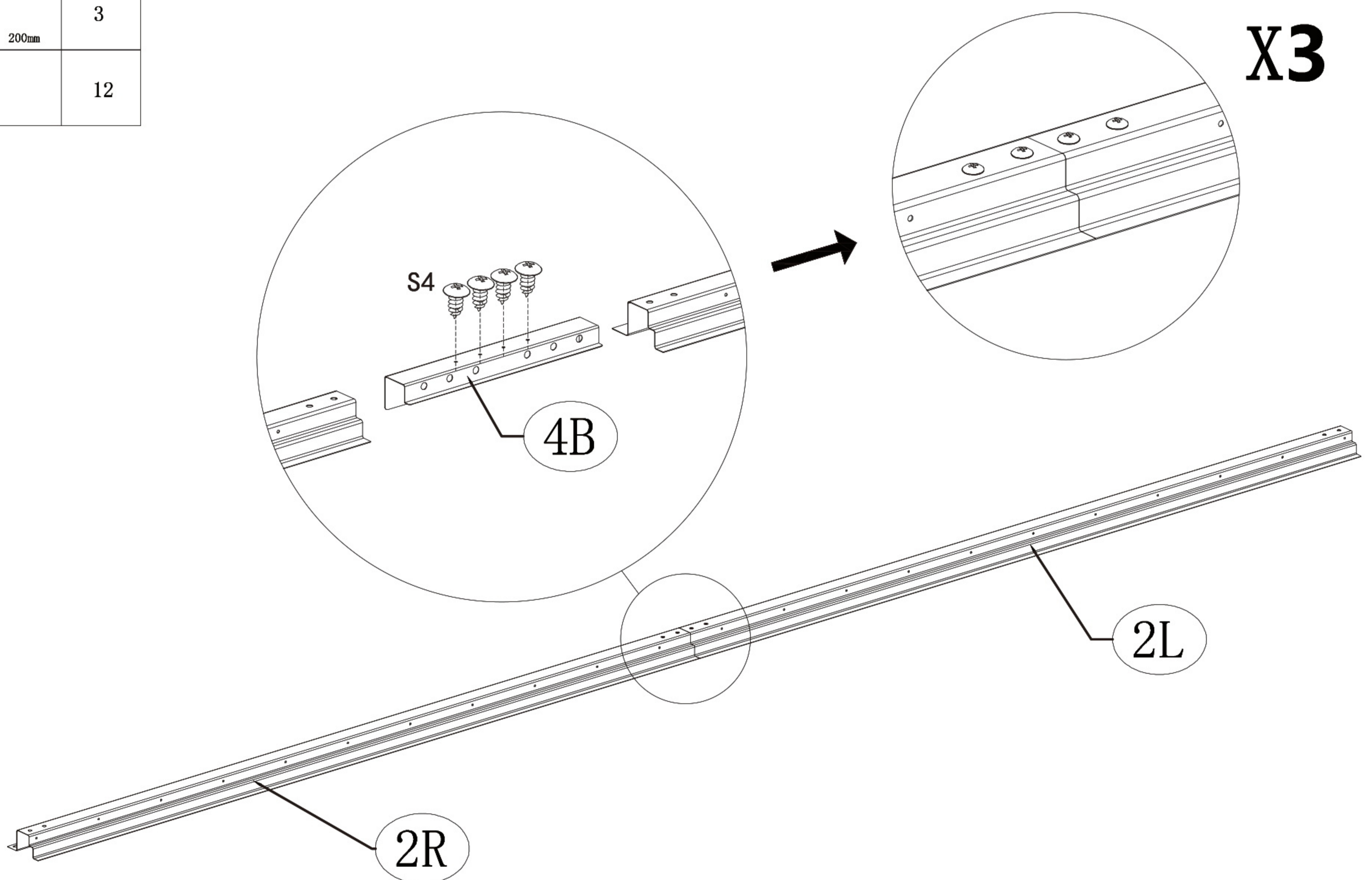
STEP 1

| NO. | PART. | Qty. |
|-----|---|------|
| 1L |  360.1mm | 1 |
| 1 |  1552mm | 1 |
| 1R |  360.1mm | 1 |
| 4B |  200mm | 2 |
| S4 |  | 8 |

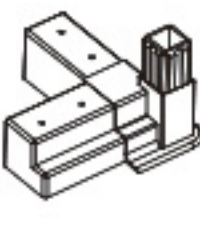
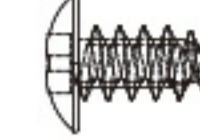


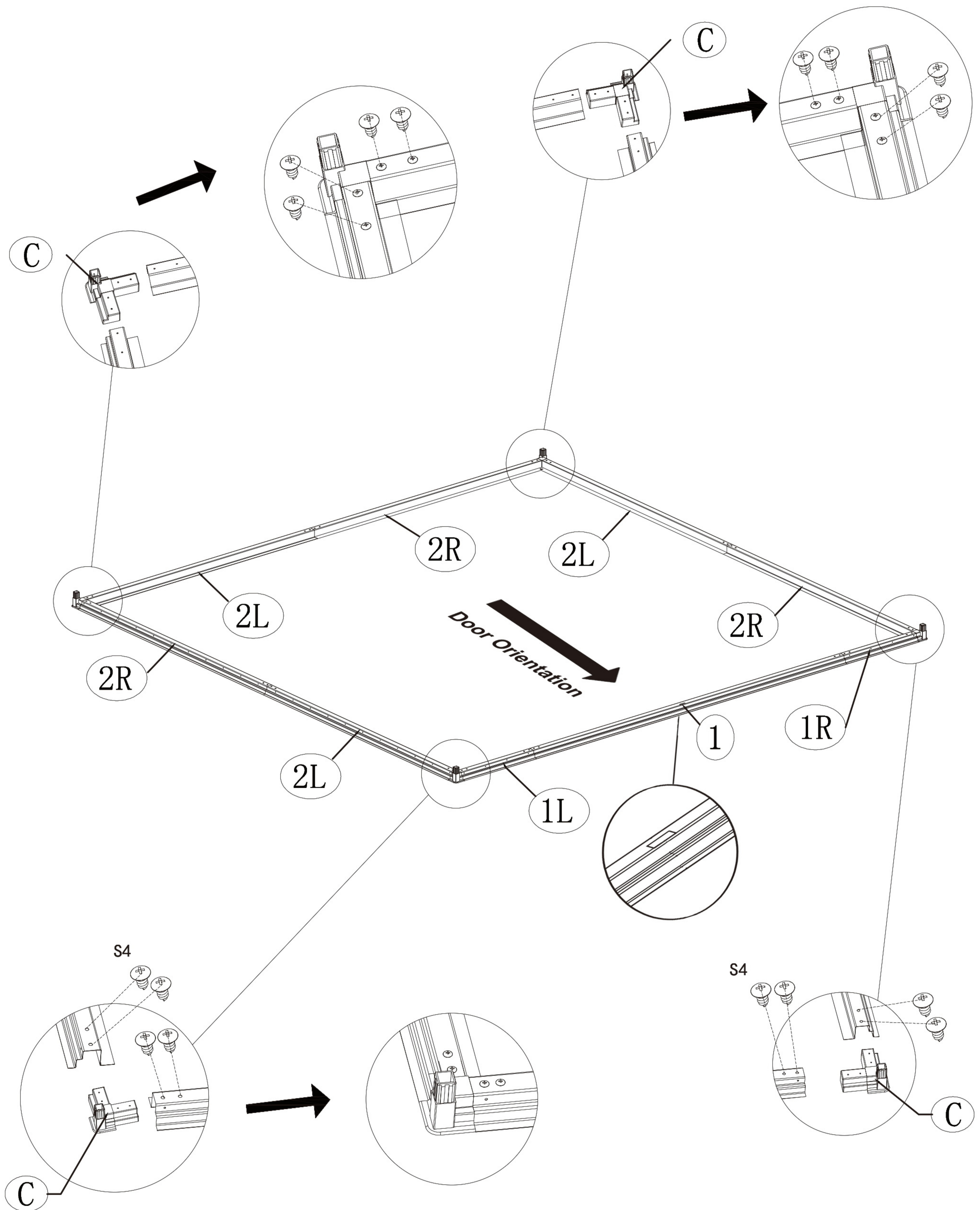
STEP 2

| NO. | PART. | Qty. |
|-----|--|------|
| 2L |  1136.1mm | 3 |
| 2R |  1136.1mm | 3 |
| 4B |  200mm | 3 |
| S4 |  | 12 |




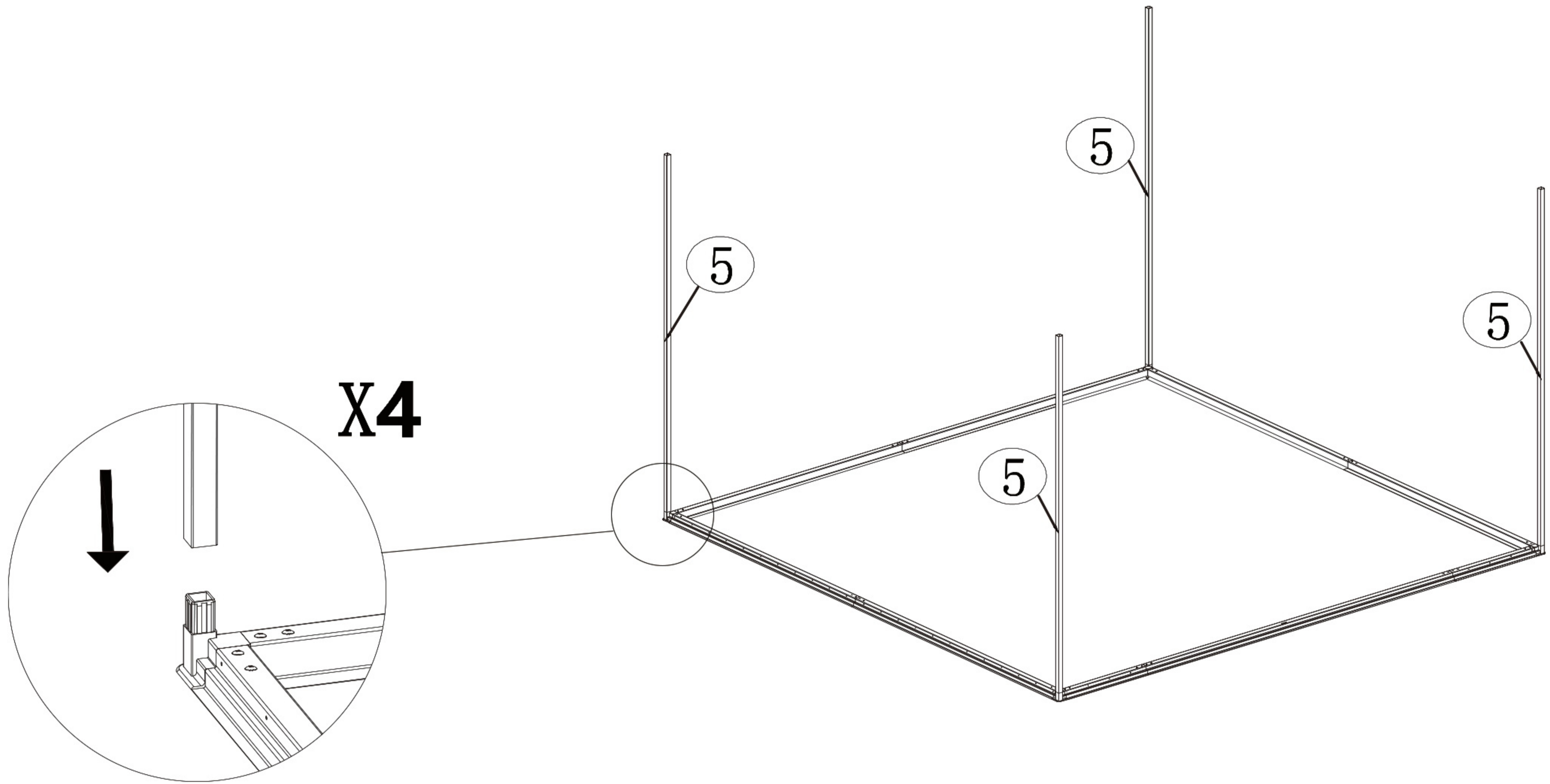
STEP 3

| NO. | PART. | Qty. |
|-----|---|------|
| C |  | 4 |
| S4 |  | 16 |

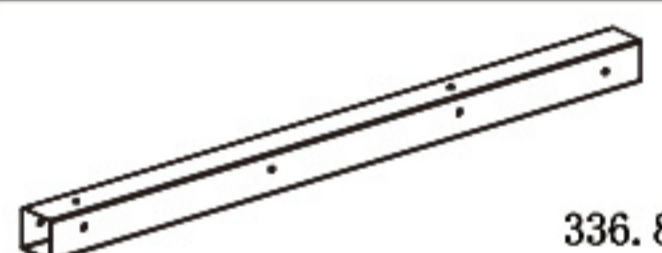

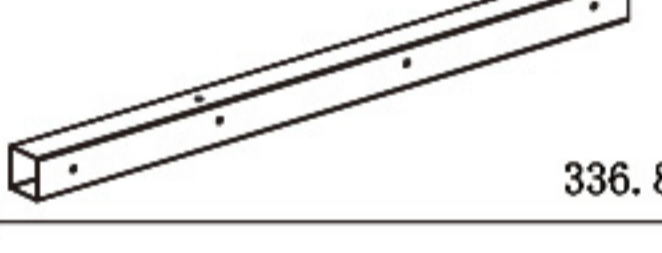
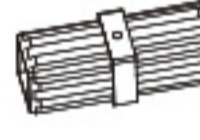
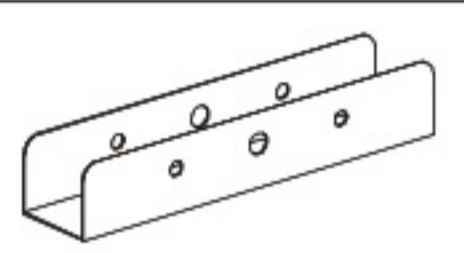



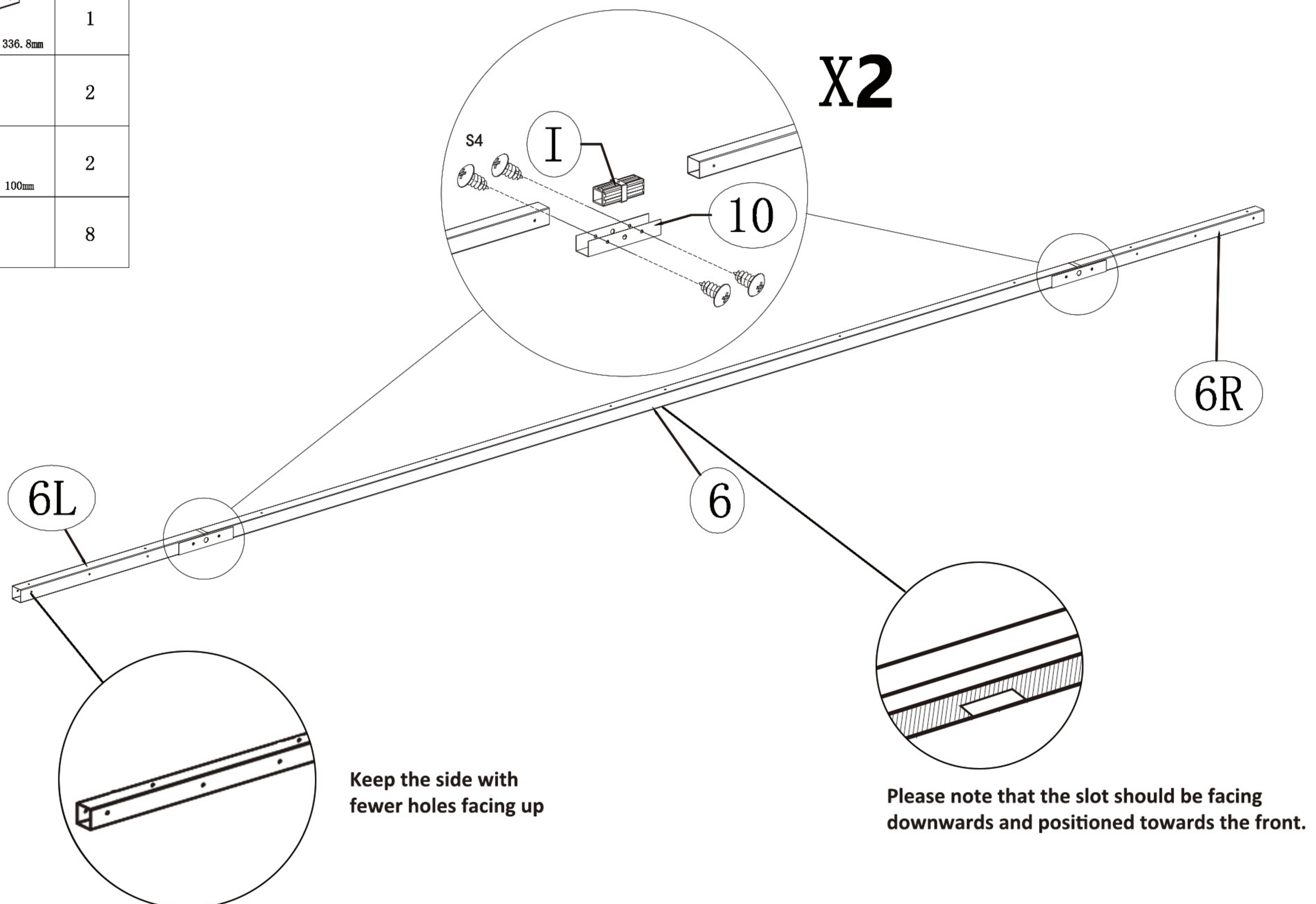
STEP 4

| NO. | PART. | Qty. |
|-----|--|------|
| 5 |  1610mm | 4 |

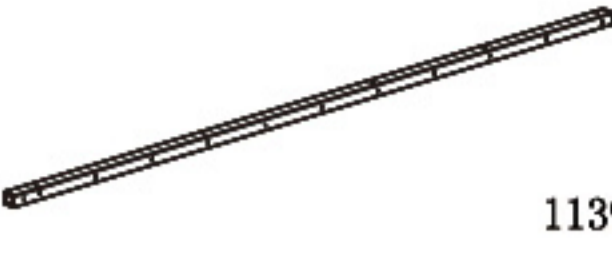
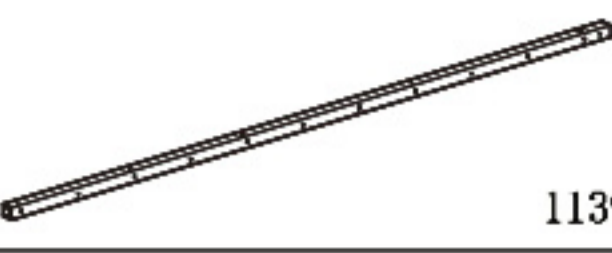
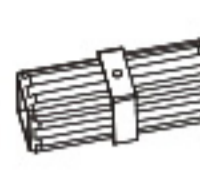
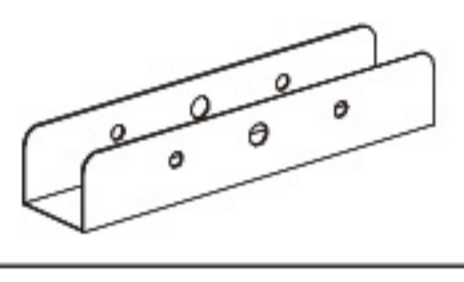
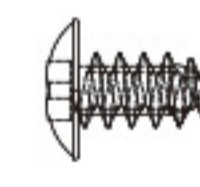


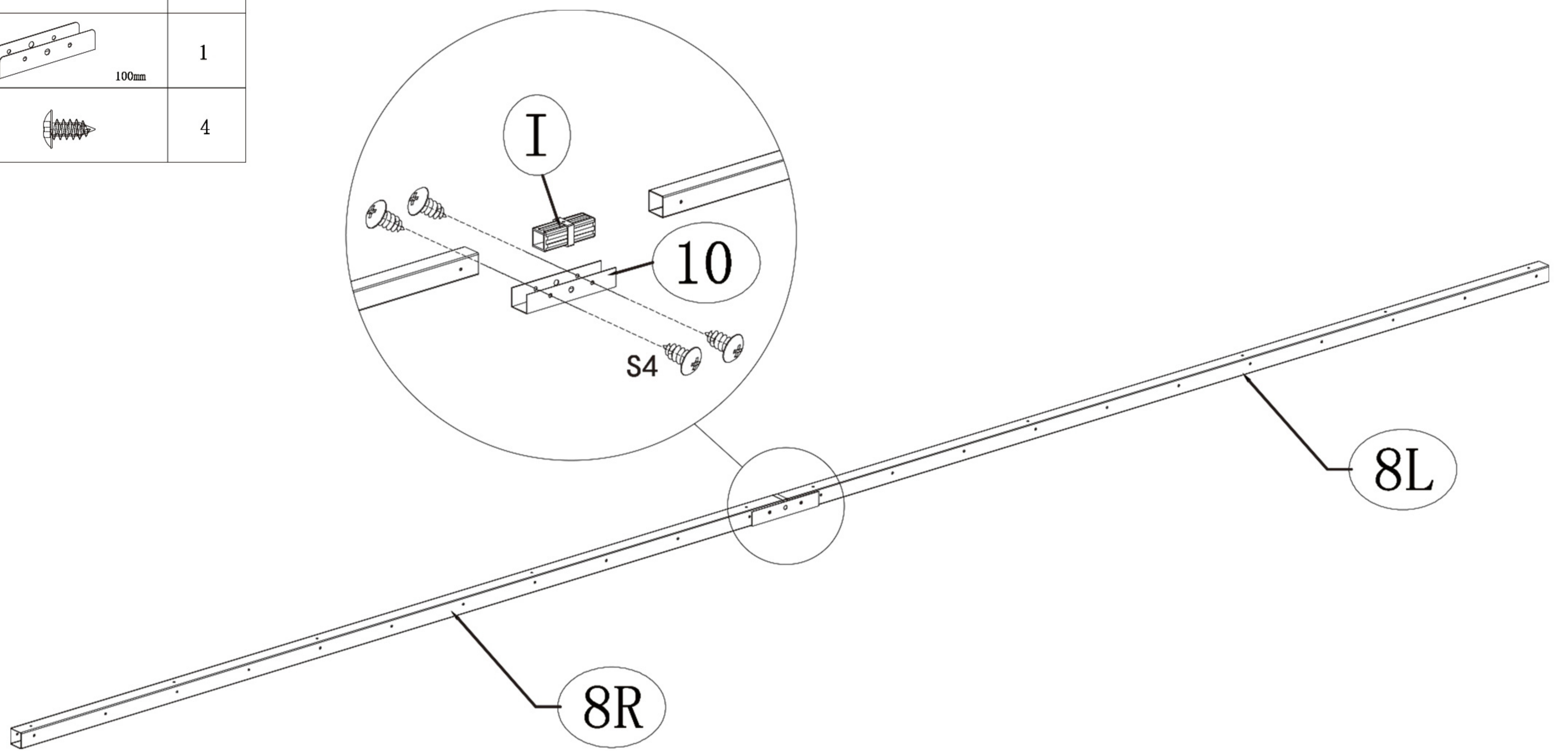
STEP 5

| NO. | PART. | Qty. |
|-----|--|------|
| 6L |  336.8mm | 1 |
| 6 |  1598mm | 1 |
| 6R |  336.8mm | 1 |
| I |  | 2 |
| 10 |  100mm | 2 |
| S4 |  | 8 |

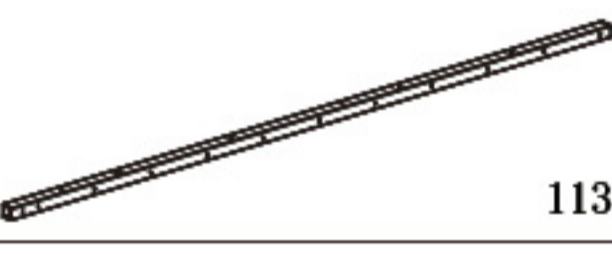
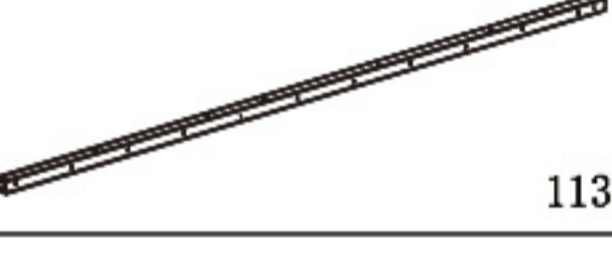
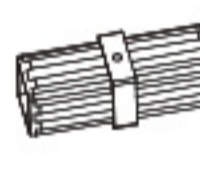
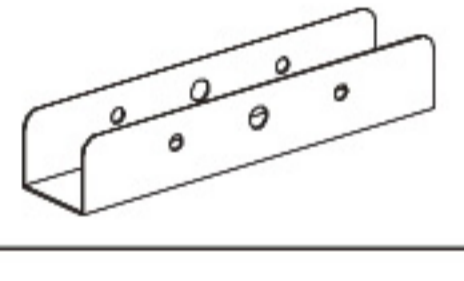
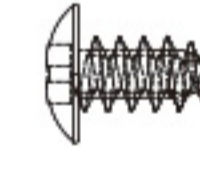


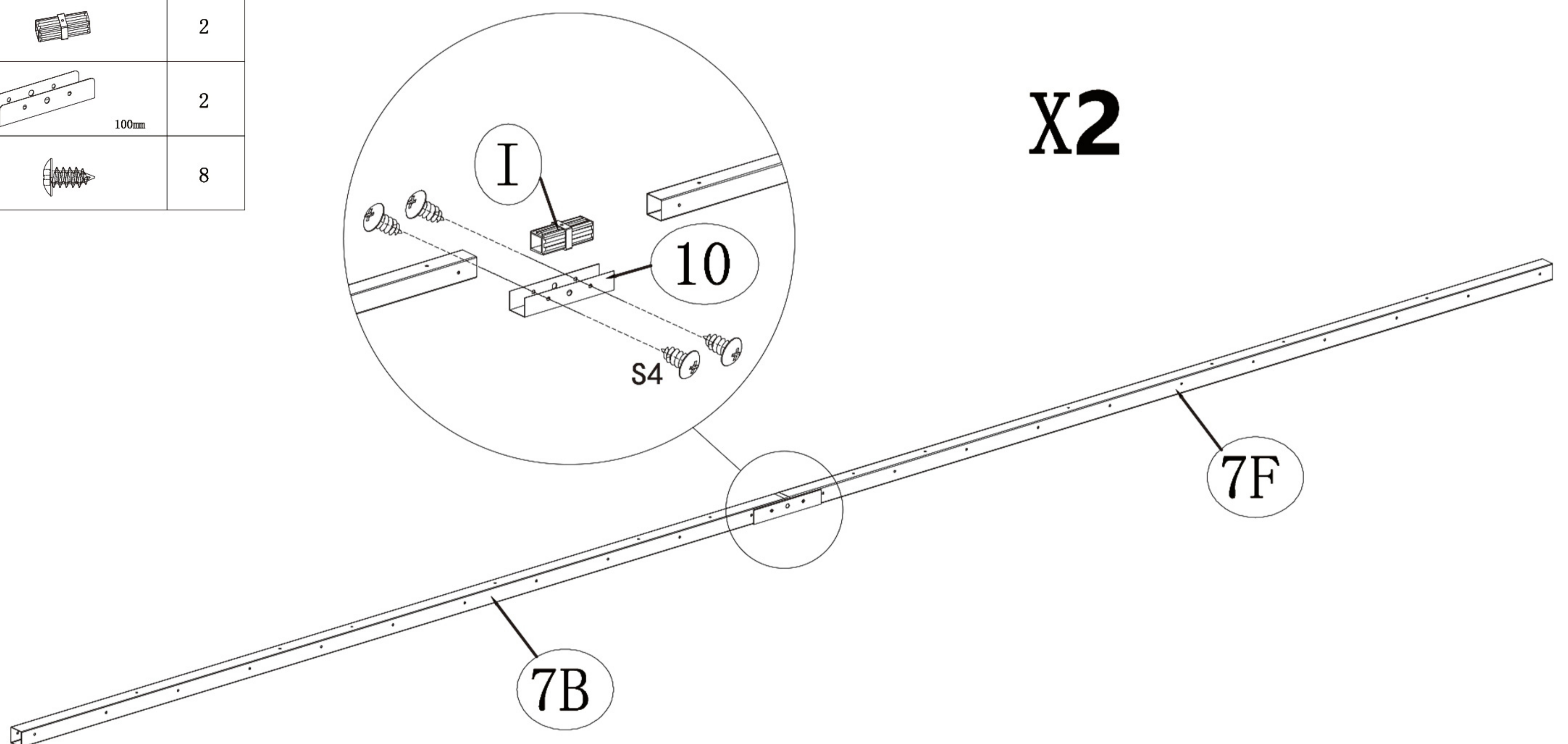
STEP 6

| NO. | PART. | Qty. |
|-----|---|------|
| 8L |  1139, 3mm | 1 |
| 8R |  1139, 3mm | 1 |
| I |  | 1 |
| 10 |  100mm | 1 |
| S4 |  | 4 |


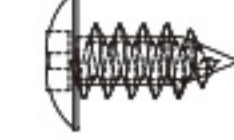


STEP 7

| NO. | PART. | Qty. |
|-----|---|------|
| 7F |  1139, 3mm | 2 |
| 7B |  1139, 3mm | 2 |
| I |  | 2 |
| 10 |  100mm | 2 |
| S4 |  | 8 |

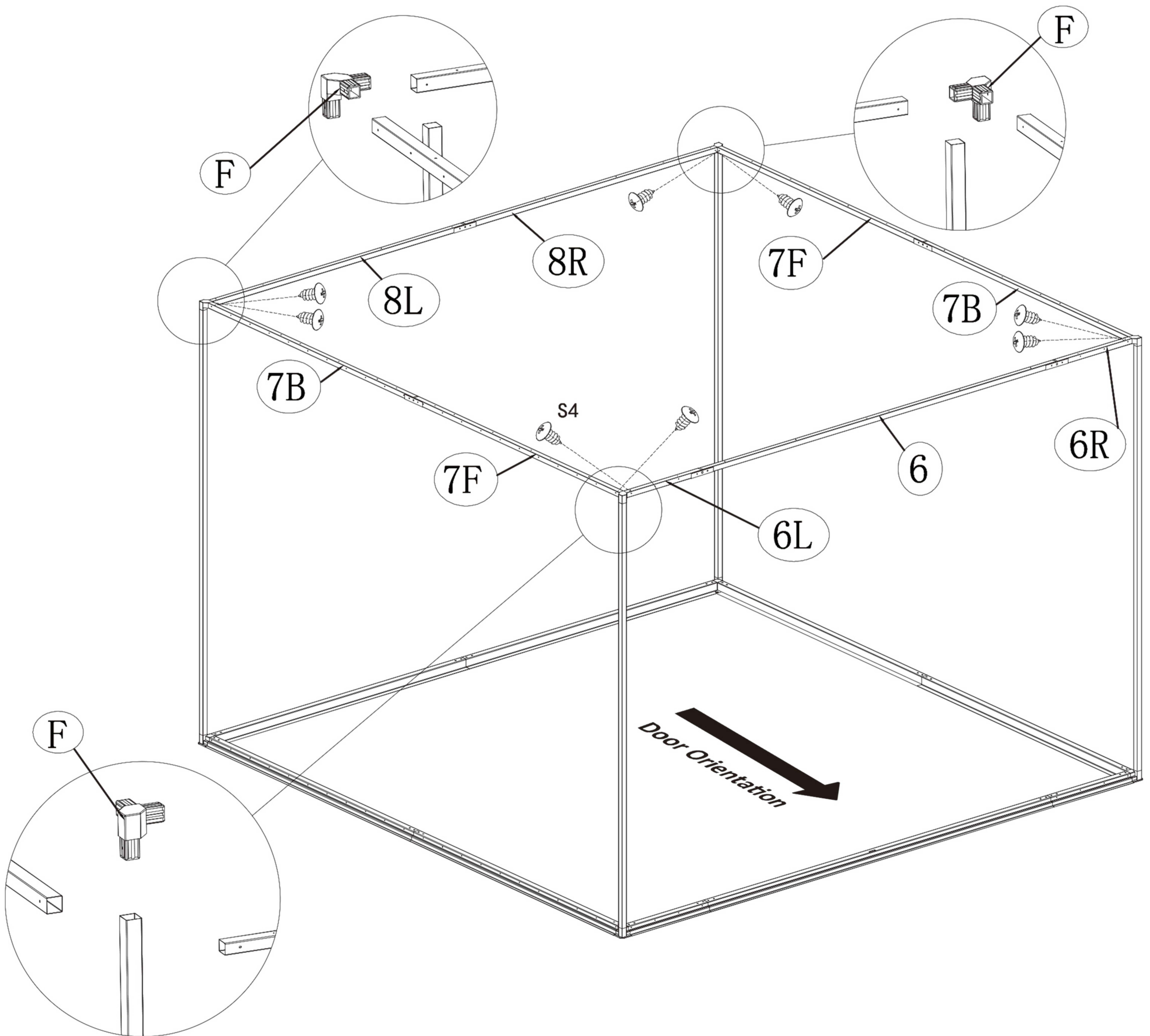


STEP 8

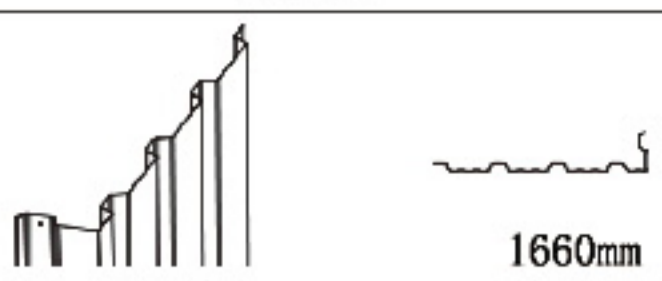

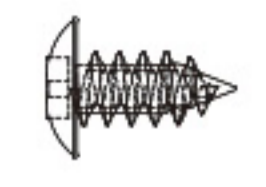
| NO. | PART. | Qty. |
|-----|---|------|
| F |  | 4 |
| S4 |  | 8 |

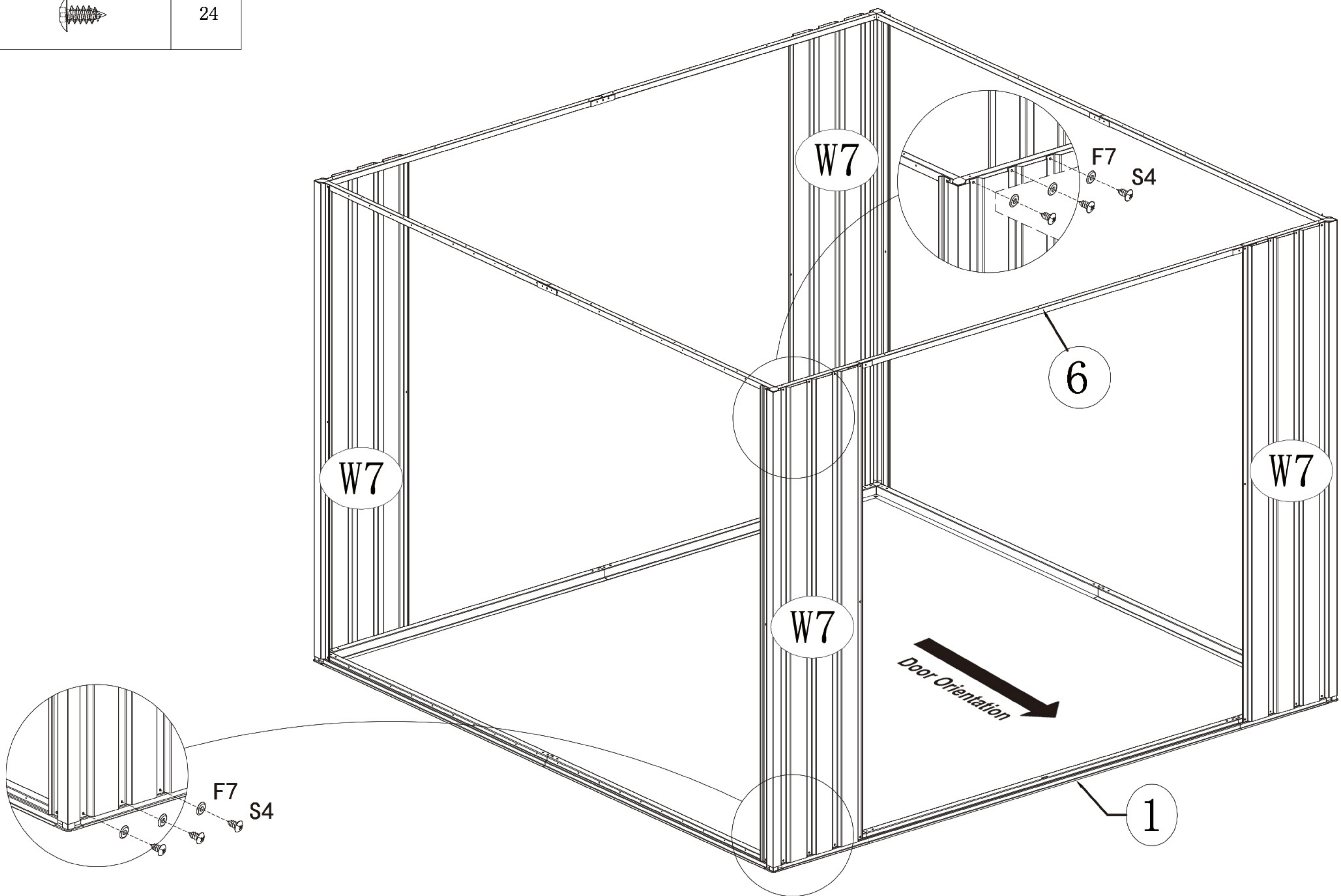
When installing, ensure that the side with fewer holes is facing upwards

(except for the side facing the door.
For the door side, keep the bottom door slot holes facing downwards and positioned on the outer side)

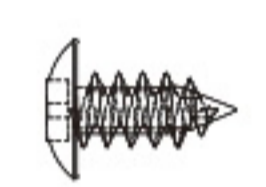
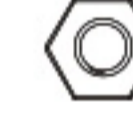






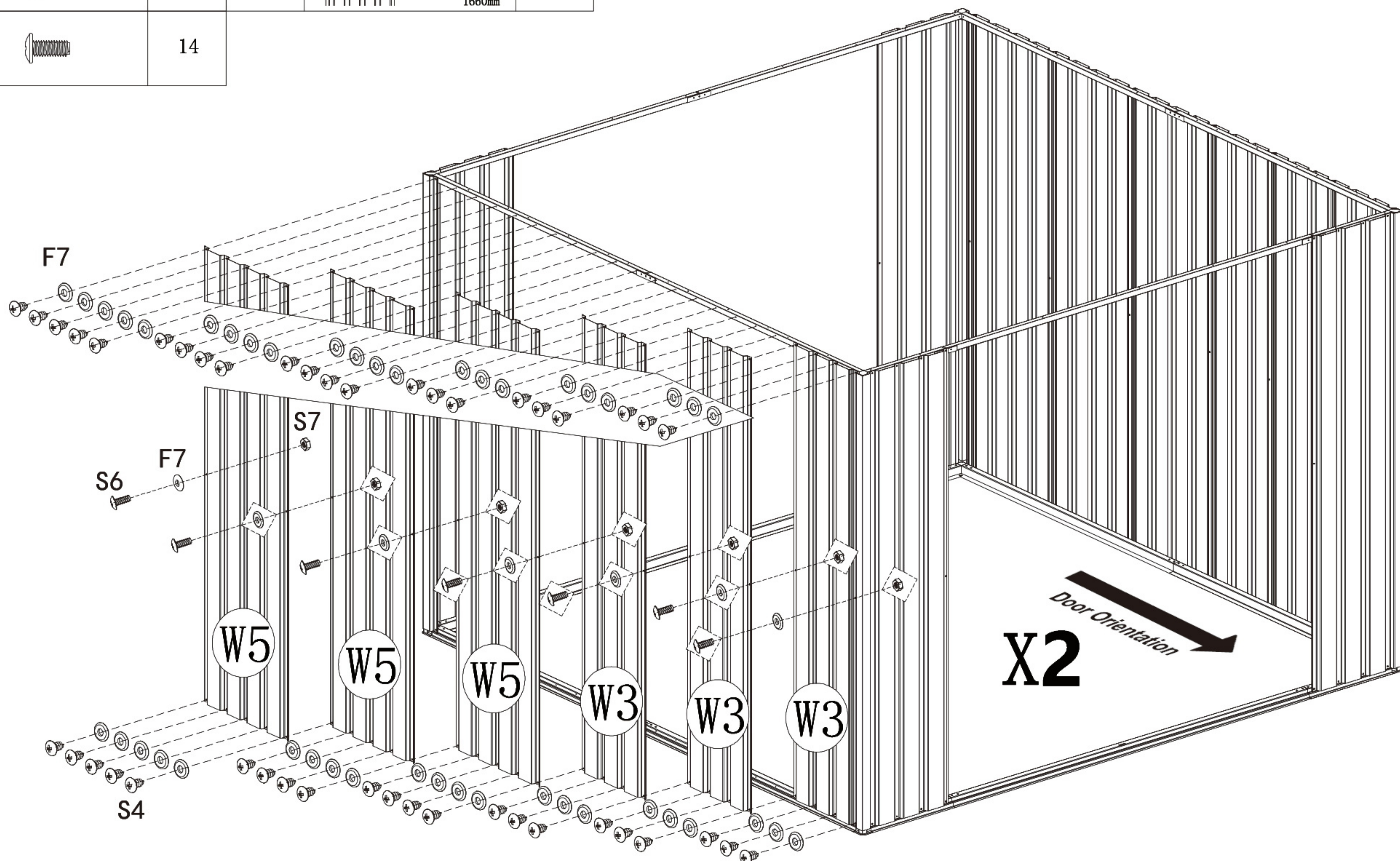
STEP 9

| NO. | PART. | Qty. | NO. | PART. | Qty. |
|-----|--|------|-----|---|------|
| W7 |  1660mm | 4 | F7 |  | 24 |
| S4 |  | 24 | | | |

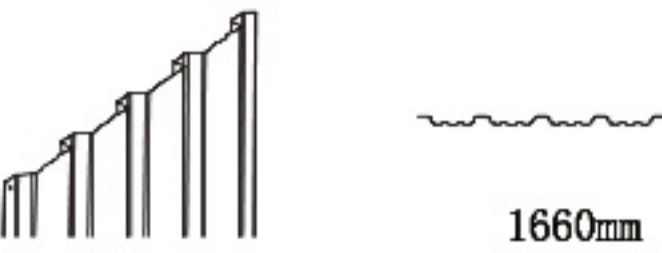






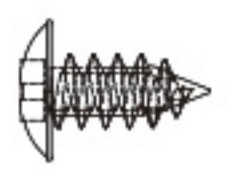
STEP 10

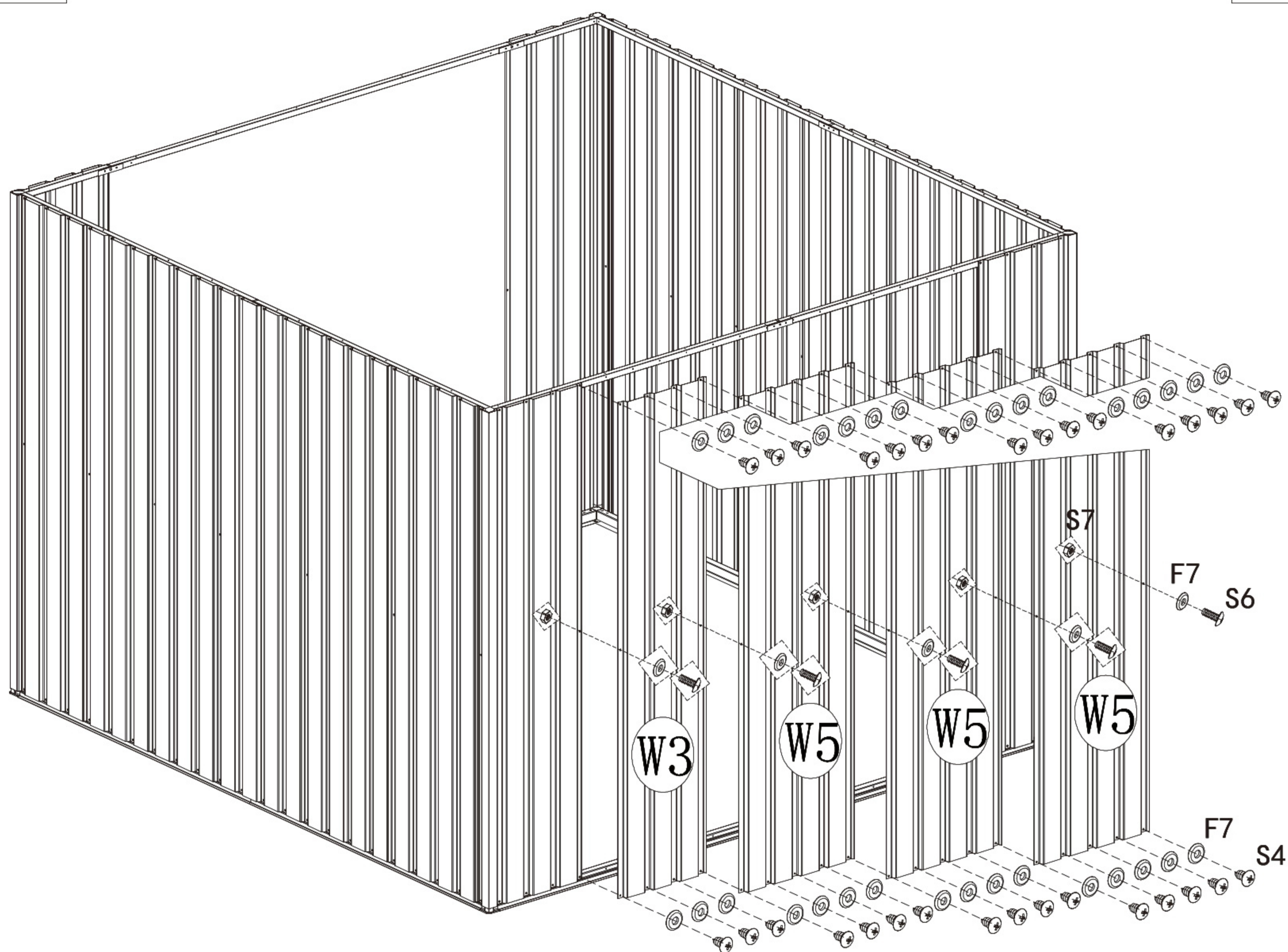
| NO. | PART. | Qty. | NO. | PART. | Qty. | NO. | PART. | Qty. |
|-----|---|------|-----|--|------|-----|---|------|
| S4 |  | 88 | S7 |  | 14 | W3 |  1660mm | 6 |
| F7 |  | 102 | W5 |  1660mm | 6 | | | |
| S6 |  | 14 | | | | | | |






STEP 11




| NO. | PART. | Qty. | NO. | PART. | Qty. |
|-----|---|------|-----|---|------|
| W5 |  | 3 | F7 |  | 37 |
| W3 |  | 1 | | | |

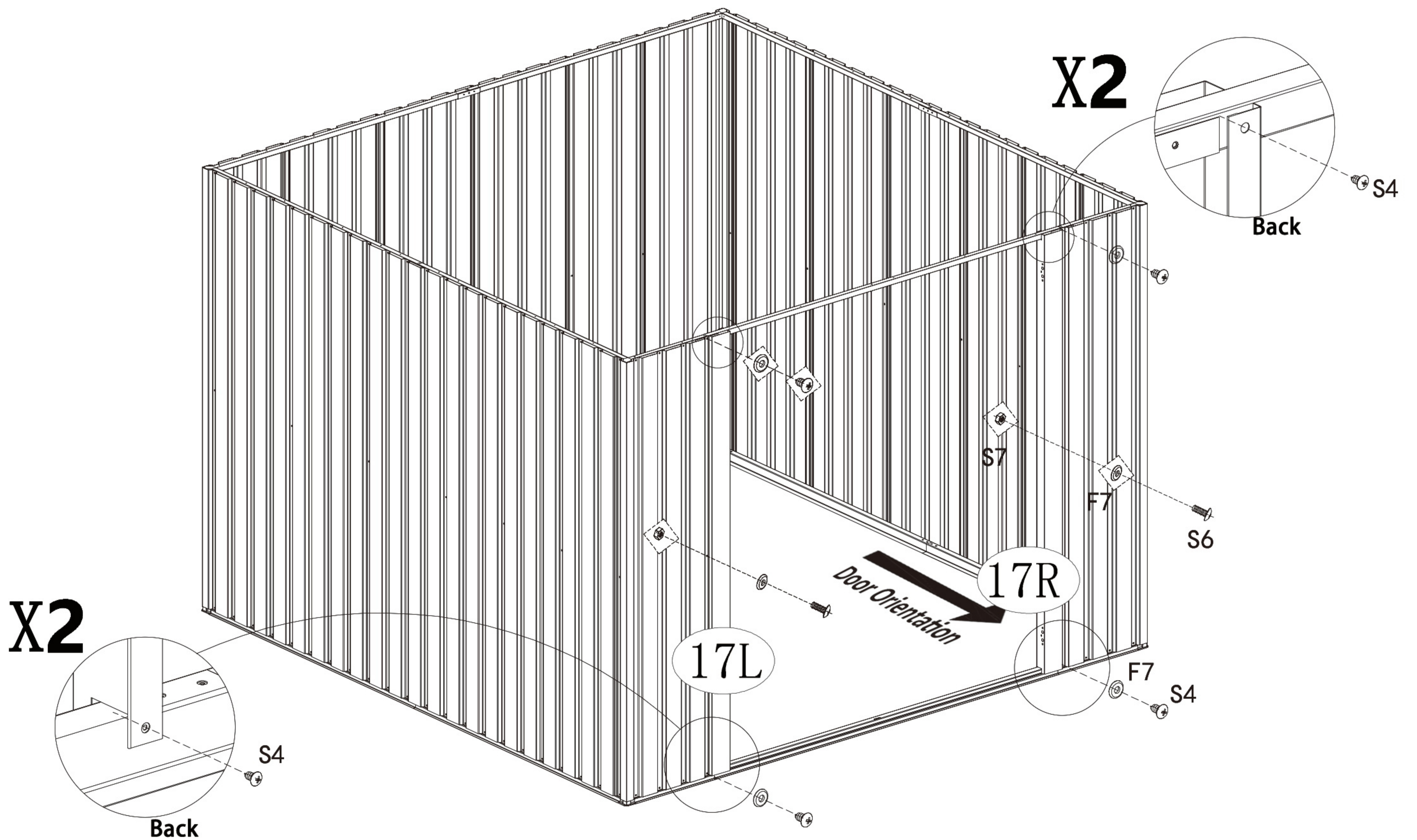
| NO. | PART. | Qty. | NO. | PART. | Qty. |
|-----|---|------|-----|---|------|
| S6 |  | 5 | S7 |  | 5 |
| | | | S4 |  | 32 |



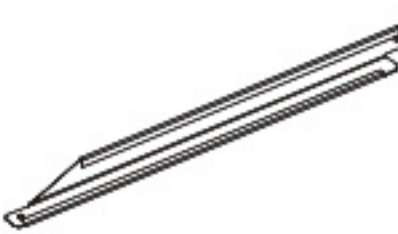
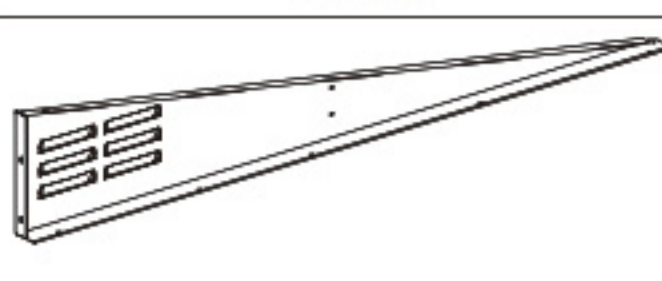

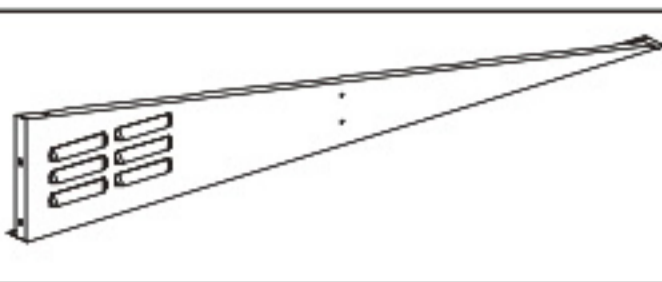
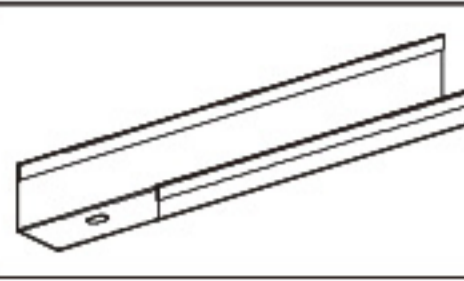
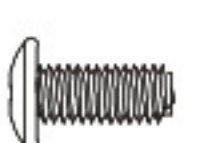
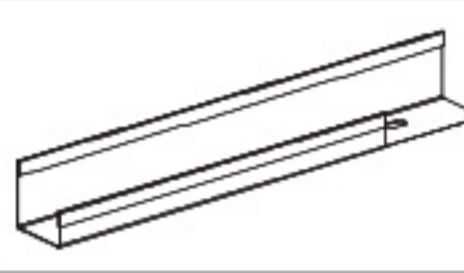

STEP 12

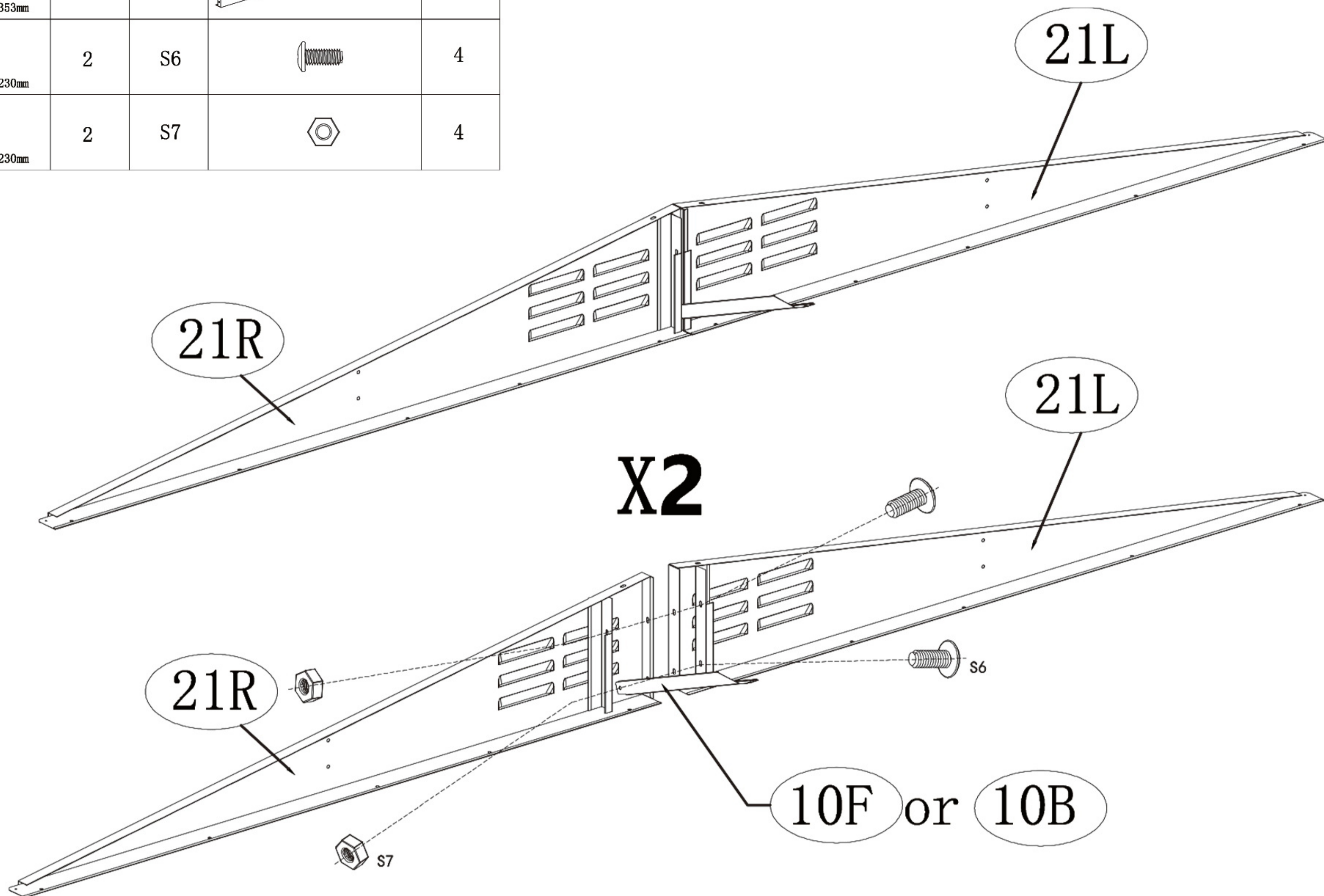
| NO. | PART. | Qty. | NO. | PART. | Qty. |
|-----|---|------|-----|---|------|
| 17L |  | 1 | S4 |  | 8 |
| 17R |  | 1 | | | |

| NO. | PART. | Qty. | NO. | PART. | Qty. |
|-----|---|------|-----|---|------|
| F7 |  | 6 | S6 |  | 2 |
| | | | S7 |  | 2 |

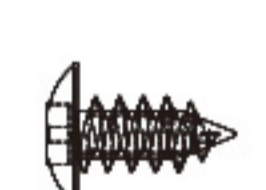


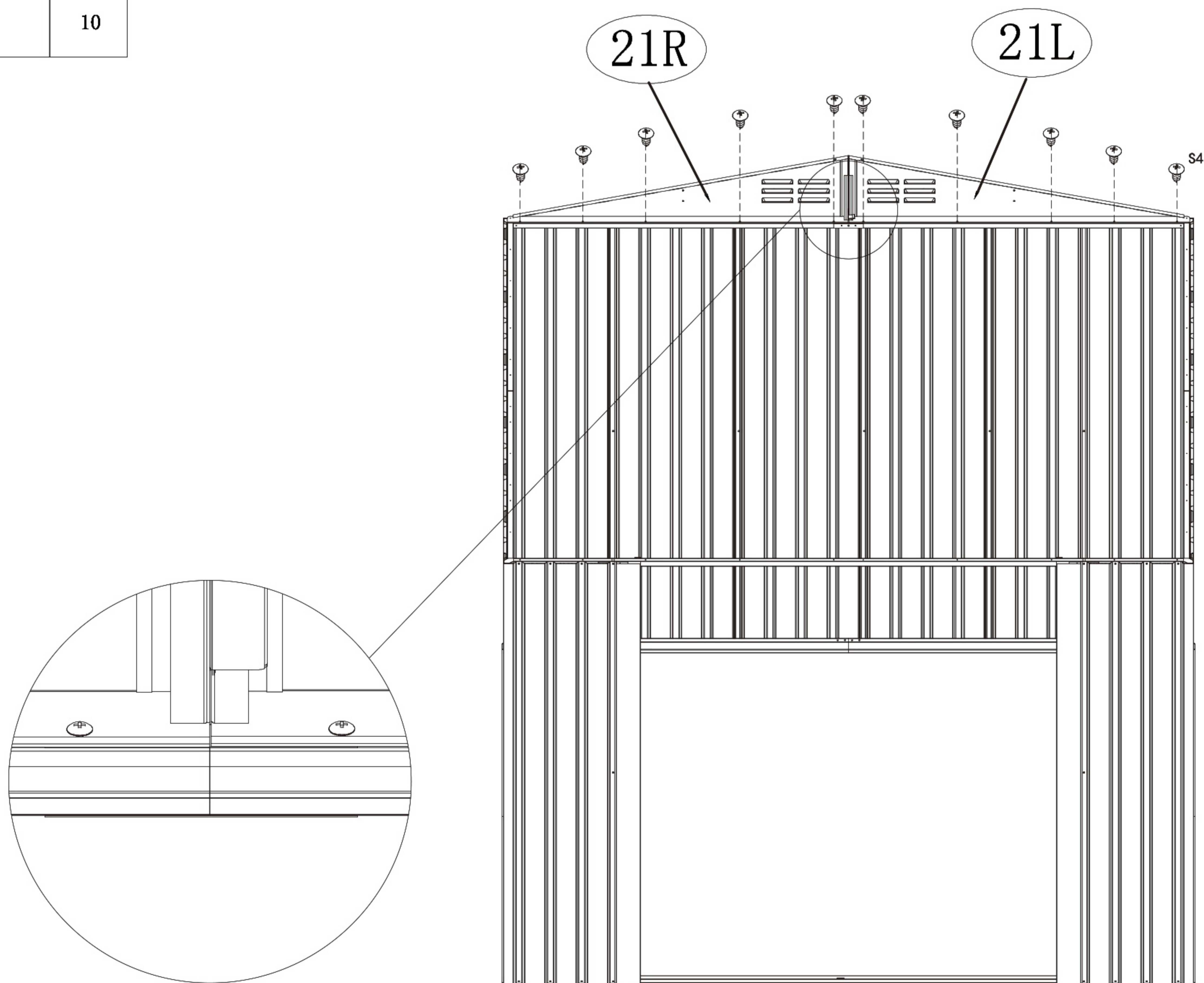
STEP 13

| NO. | PART. | Qty. | NO. | PART. | Qty. |
|-----|---|------|-----|---|------|
| 10F |  353mm | 1 | 21L |  | 2 |
| 10B |  353mm | 1 | 21R |  | 2 |
| 11L |  230mm | 2 | S6 |  | 4 |
| 11R |  230mm | 2 | S7 |  | 4 |

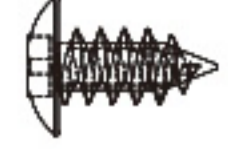


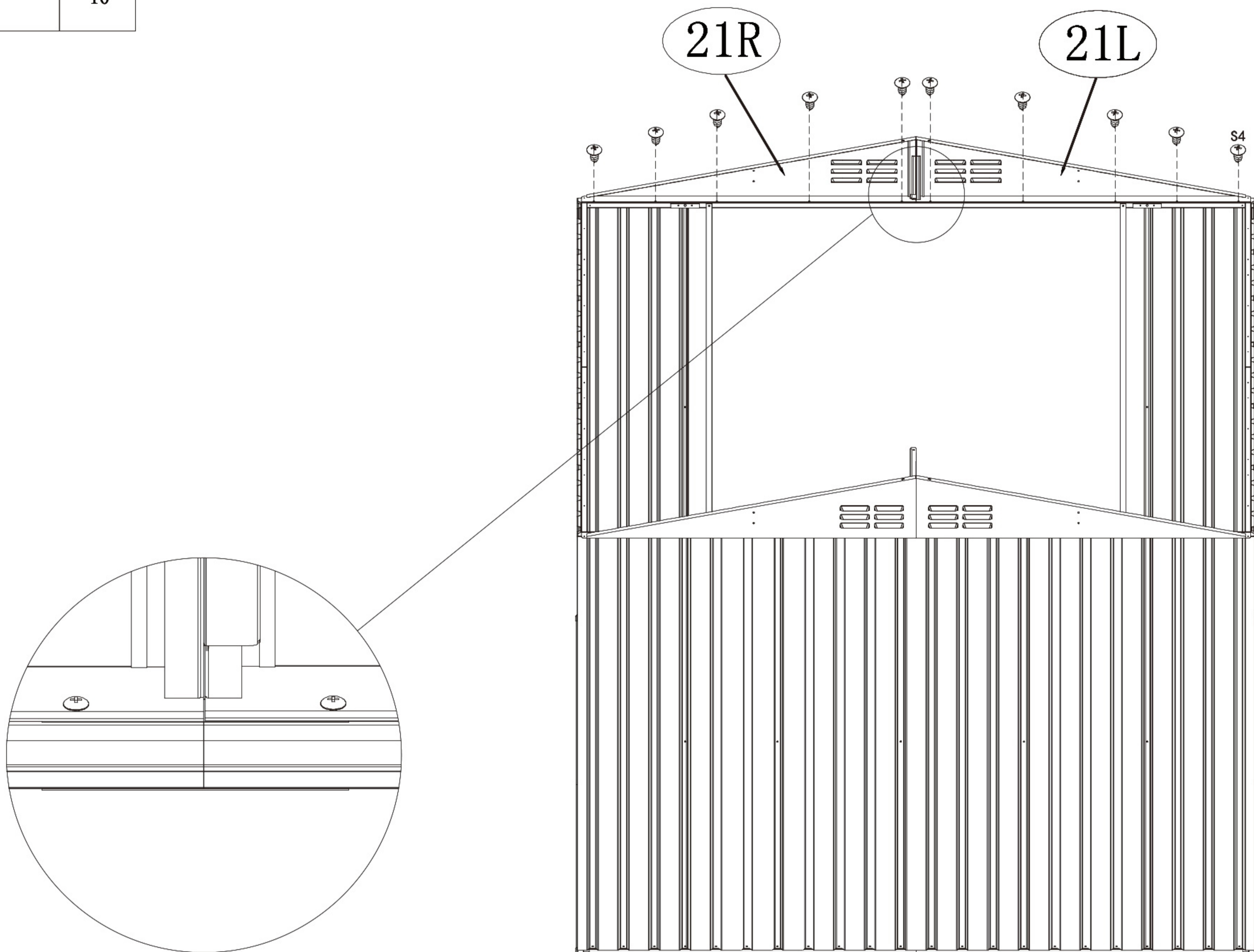
STEP 14

| NO. | PART. | Qty. |
|-----|---|------|
| S4 |  | 10 |

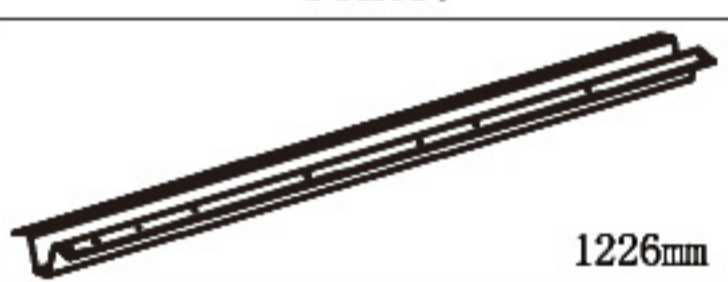
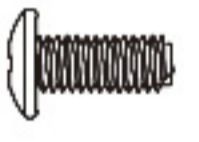
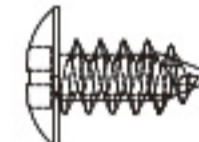




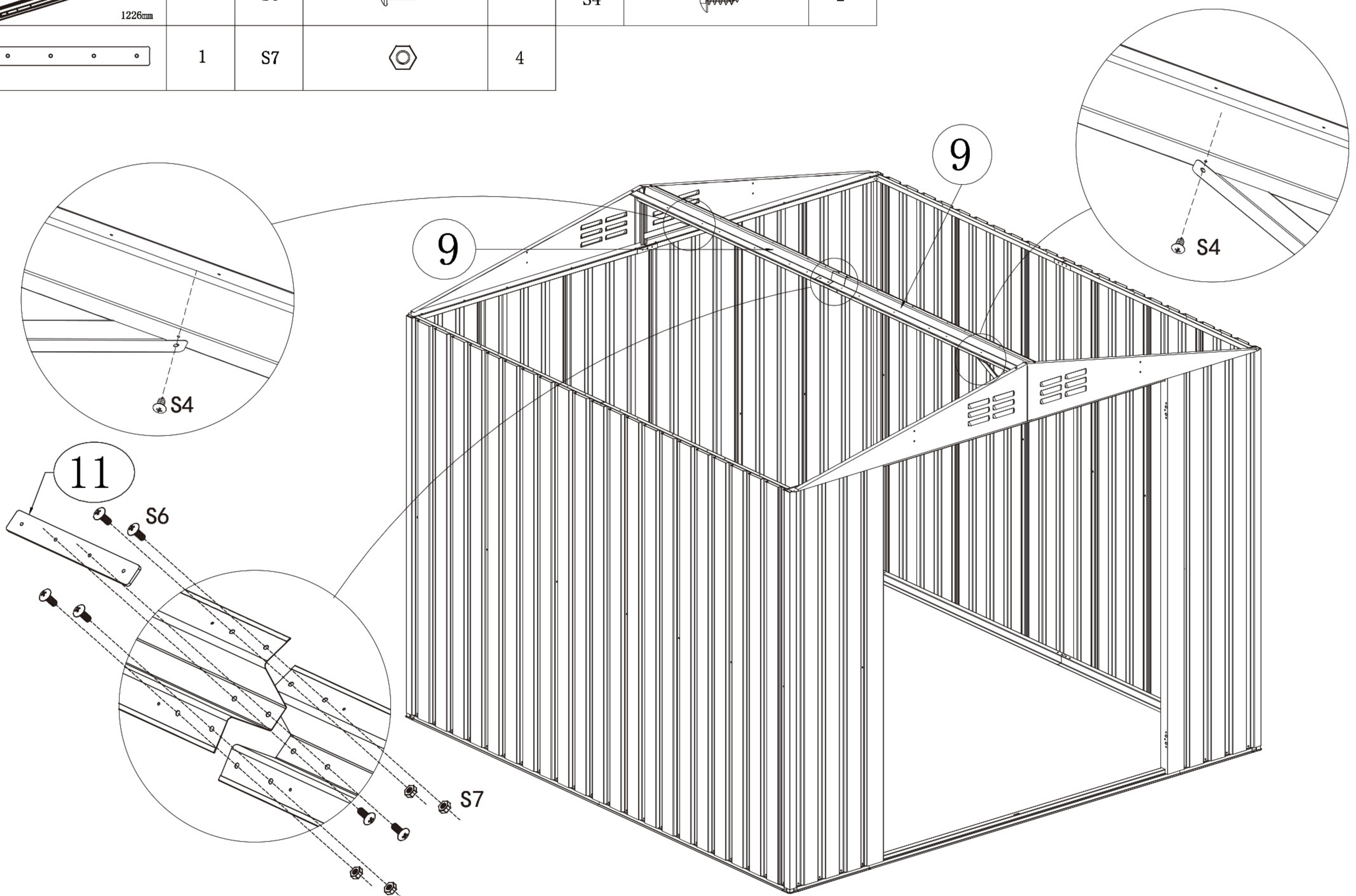
STEP 15

| NO. | PART. | Qty. |
|-----|---|------|
| S4 |  | 10 |


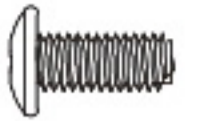


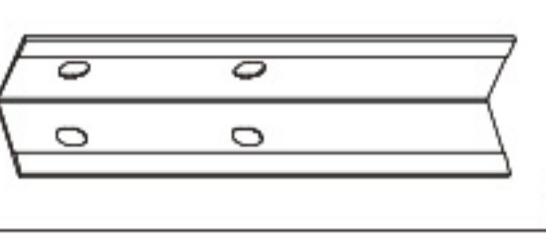
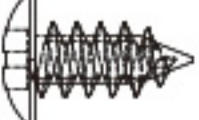


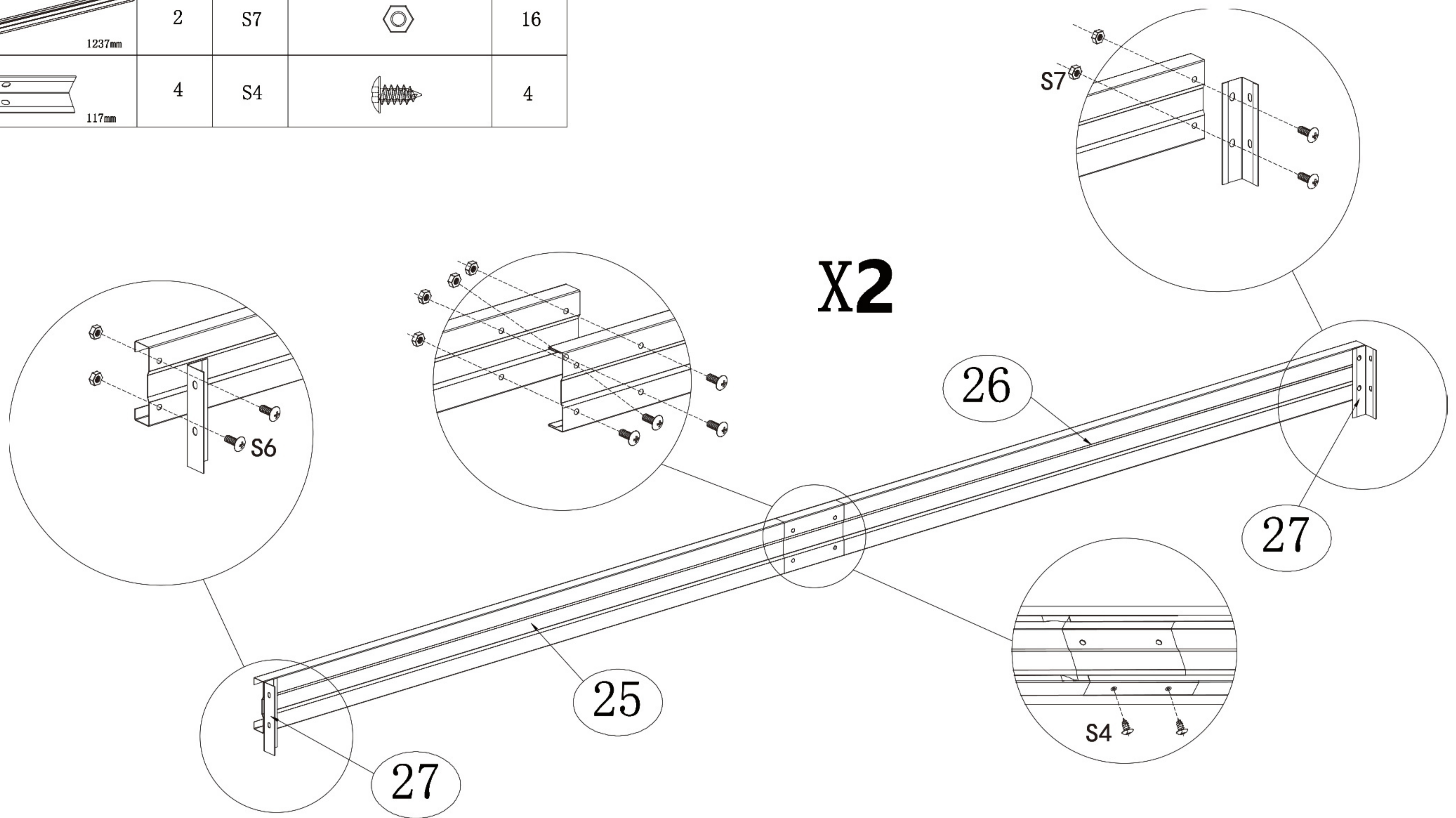
STEP 16

| NO. | PART. | Qty. | NO. | PART. | Qty. | NO. | PART. | Qty. |
|-----|--|------|-----|---|------|-----|---|------|
| 9 |  1226mm | 2 | S6 |  | 6 | S4 |  | 2 |
| 11 |  | 1 | S7 |  | 4 | | | |






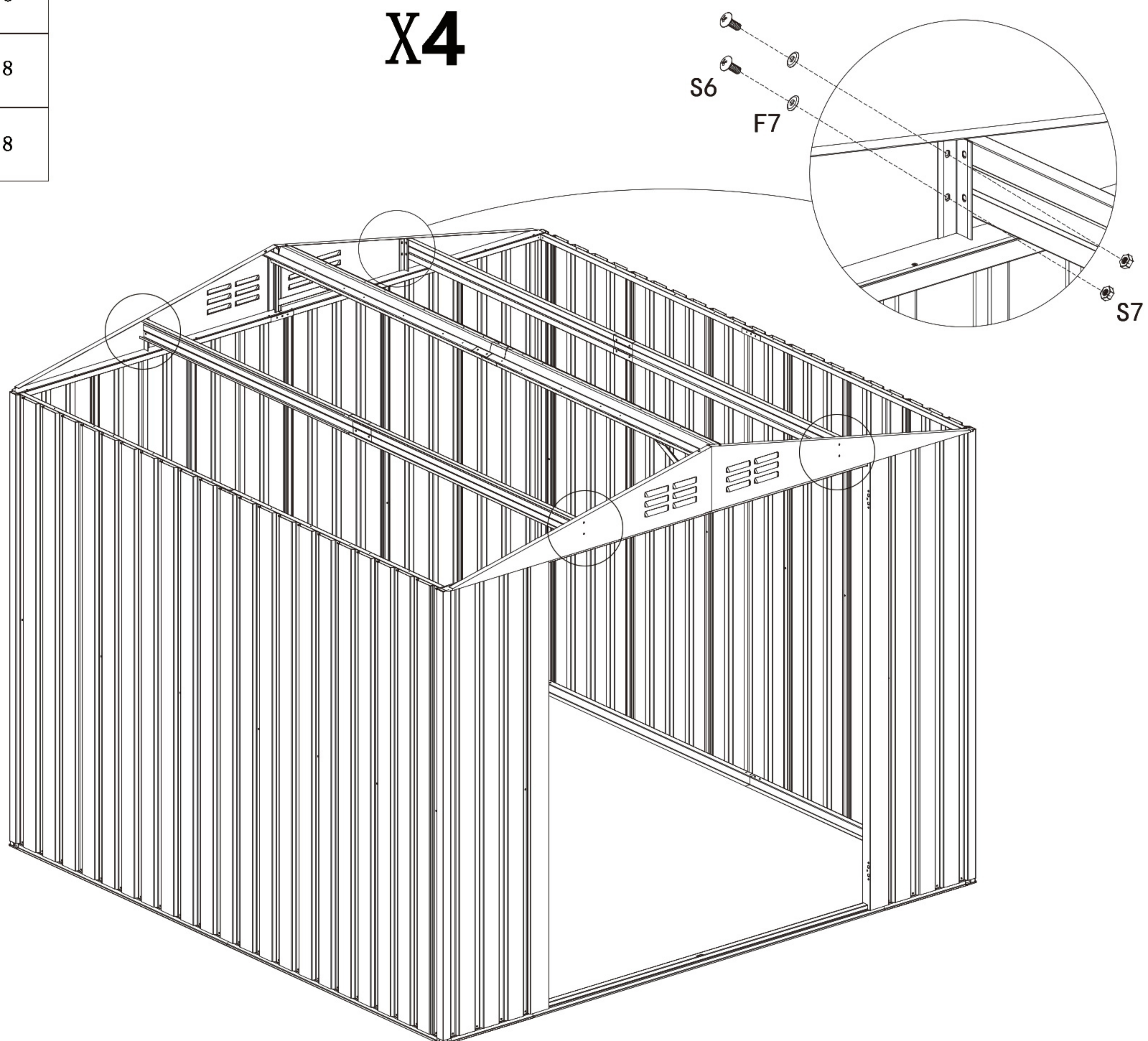
STEP 17

| NO. | PART. | Qty. | NO. | PART. | Qty. |
|-----|--|------|-----|---|------|
| 25 |  1237mm | 2 | S6 |  | 16 |
| 26 |  1237mm | 2 | S7 |  | 16 |
| 27 |  117mm | 4 | S4 |  | 4 |


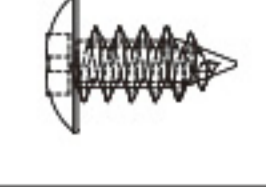



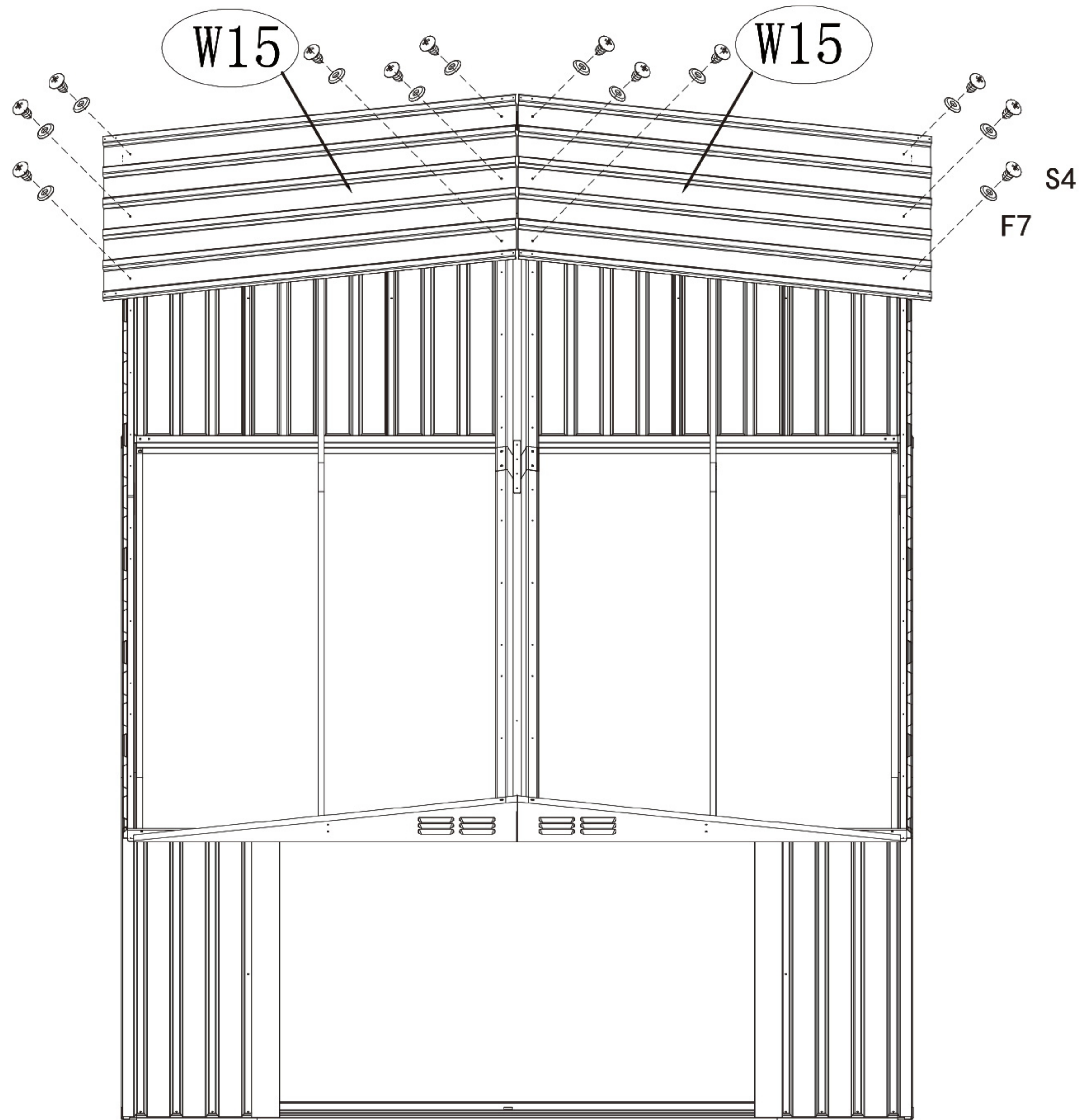
STEP 18

| NO. | PART. | Qty. |
|-----|---|------|
| F7 |  | 8 |
| S6 |  | 8 |
| S7 |  | 8 |



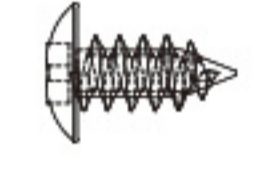



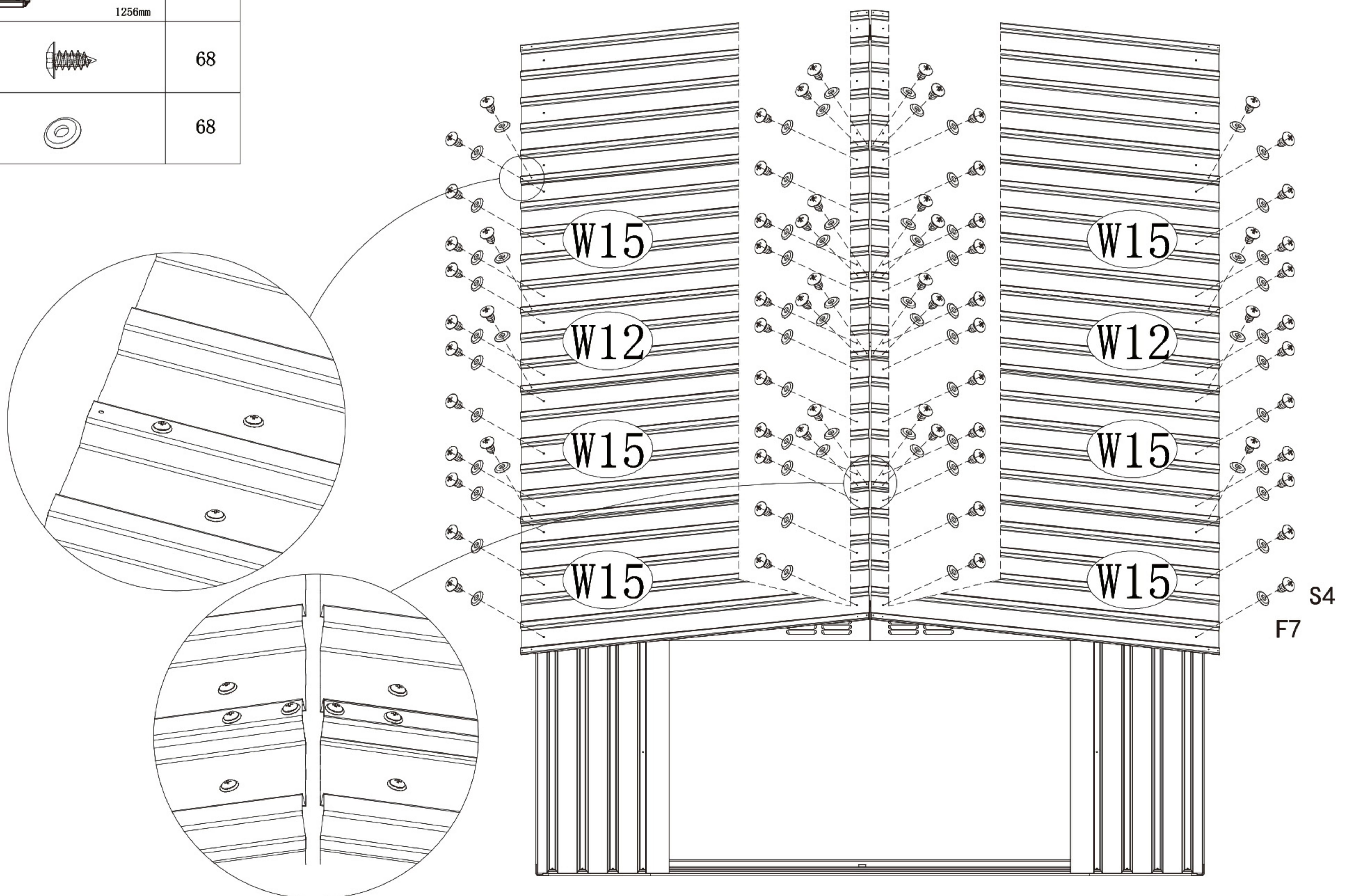
STEP 19

| NO. | PART. | Qty. |
|-----|--|------|
| W15 |  1256mm | 2 |
| S4 |  | 12 |
| F7 |  | 12 |

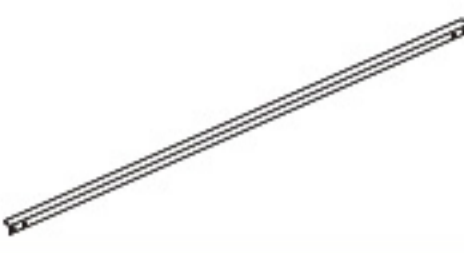
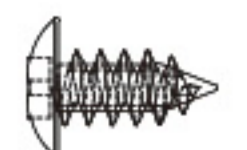



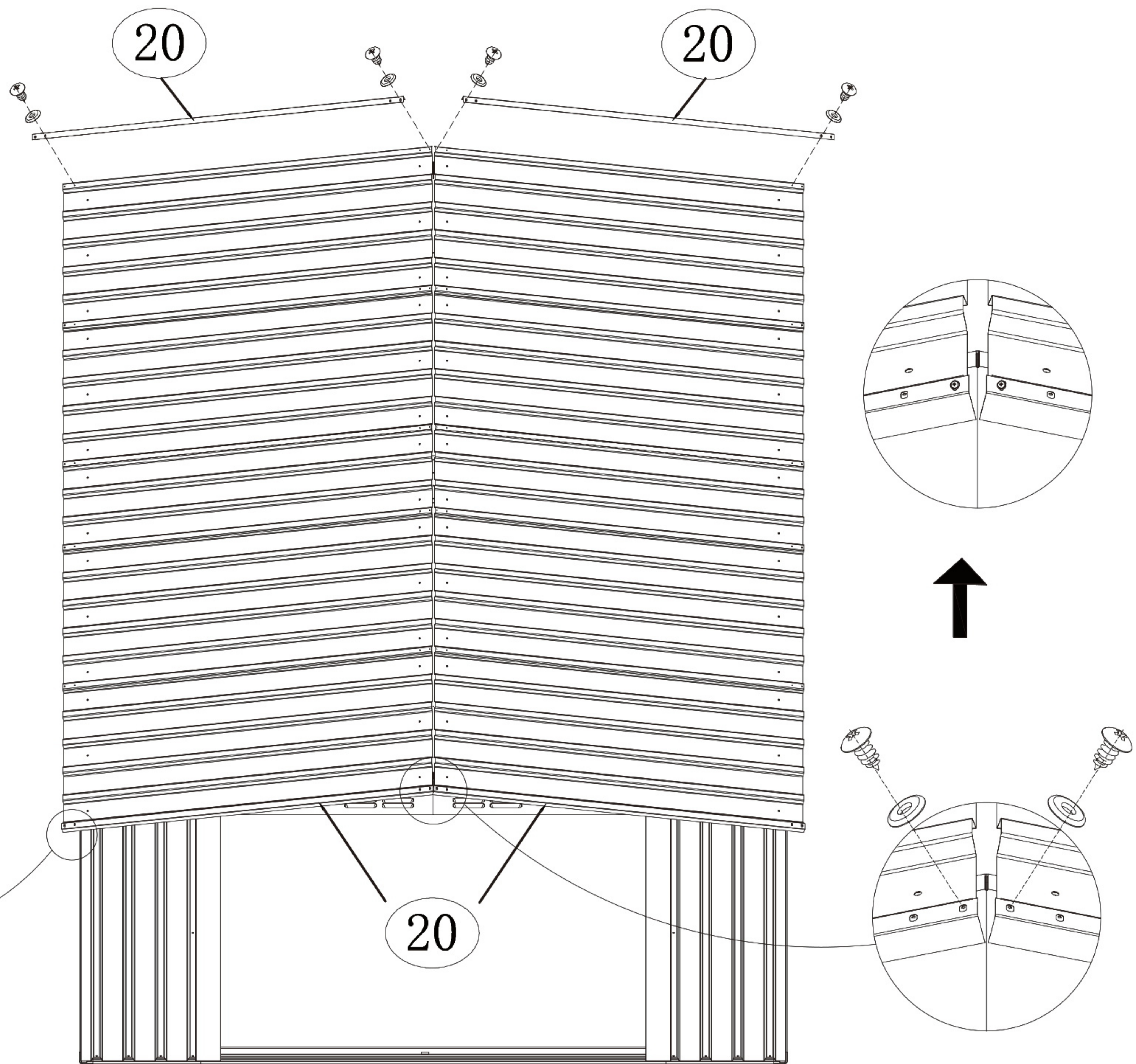
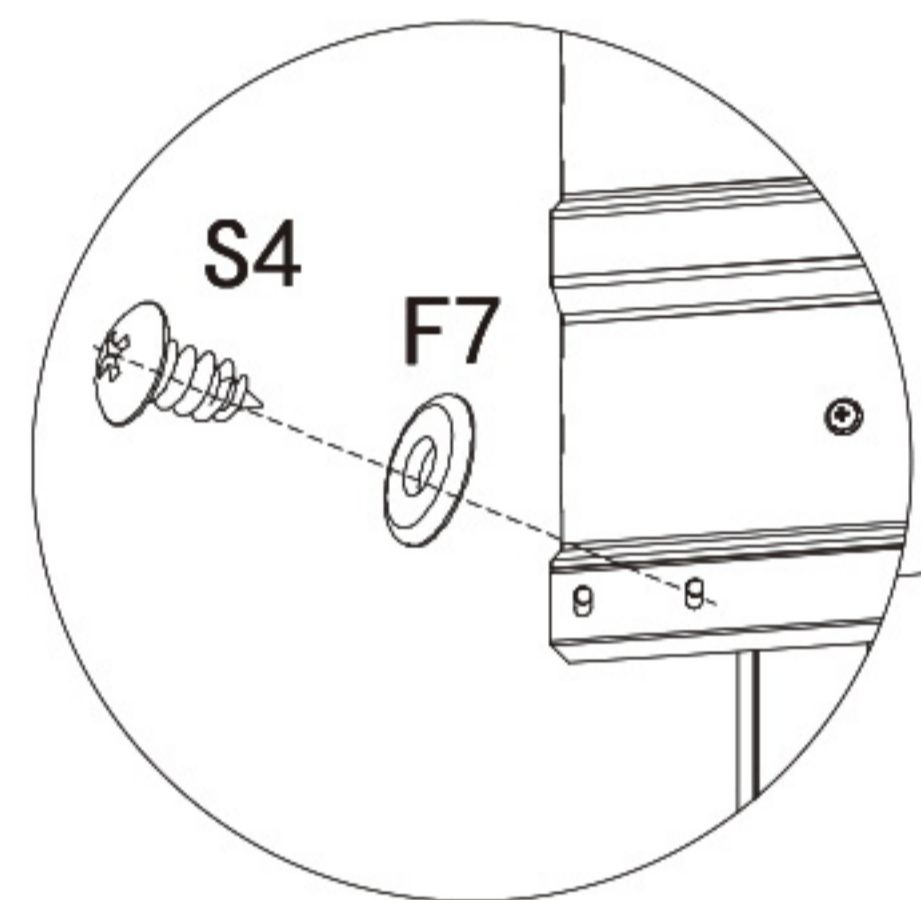
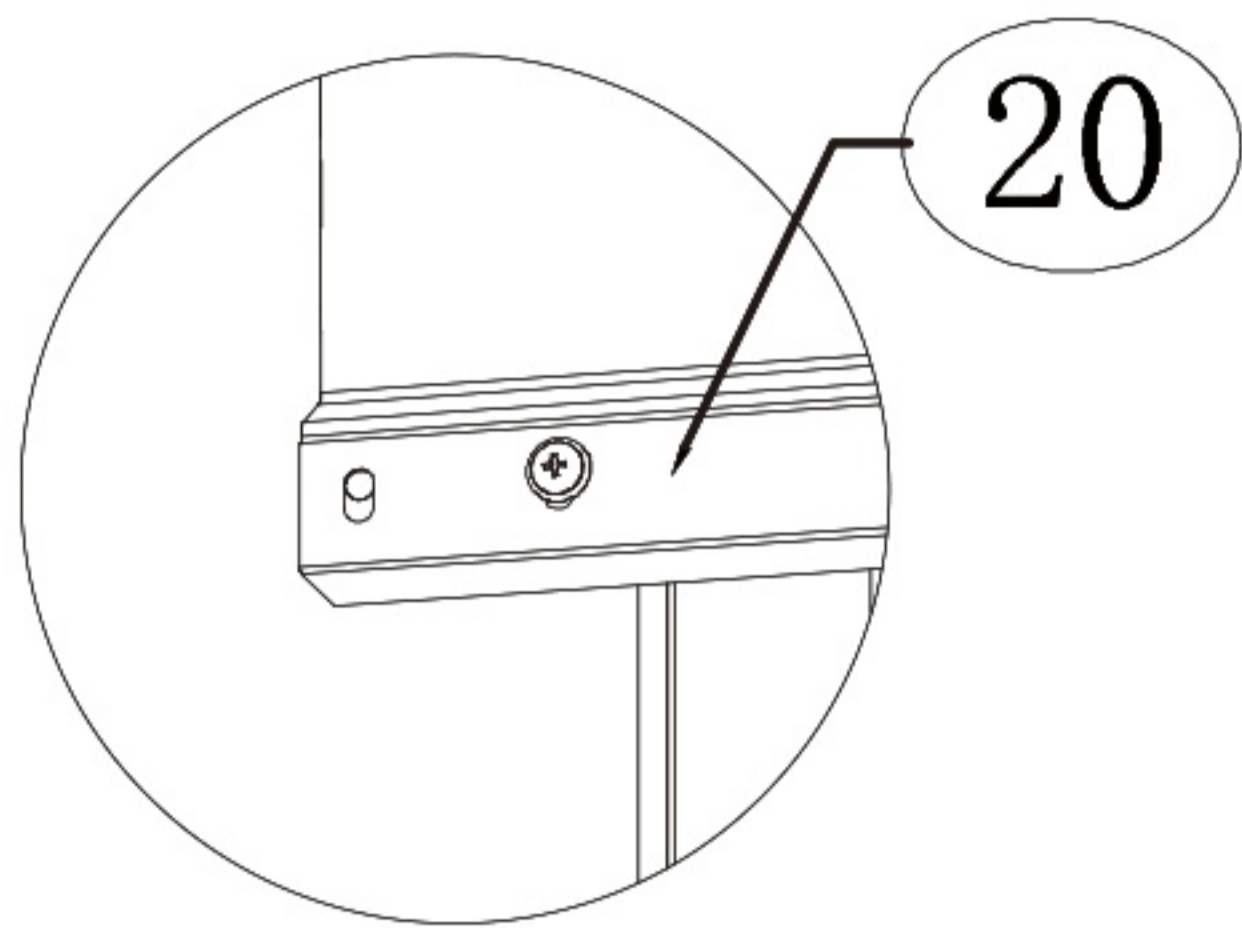
STEP 20

| NO. | PART. | Qty. |
|-----|--|------|
| W12 |  1256mm | 2 |
| W15 |  1256mm | 6 |
| S4 |  | 68 |
| F7 |  | 68 |




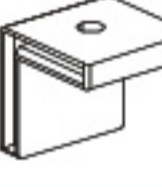
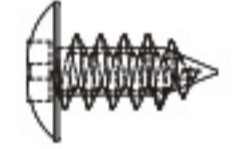
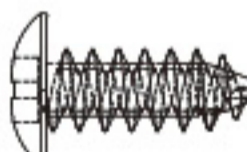



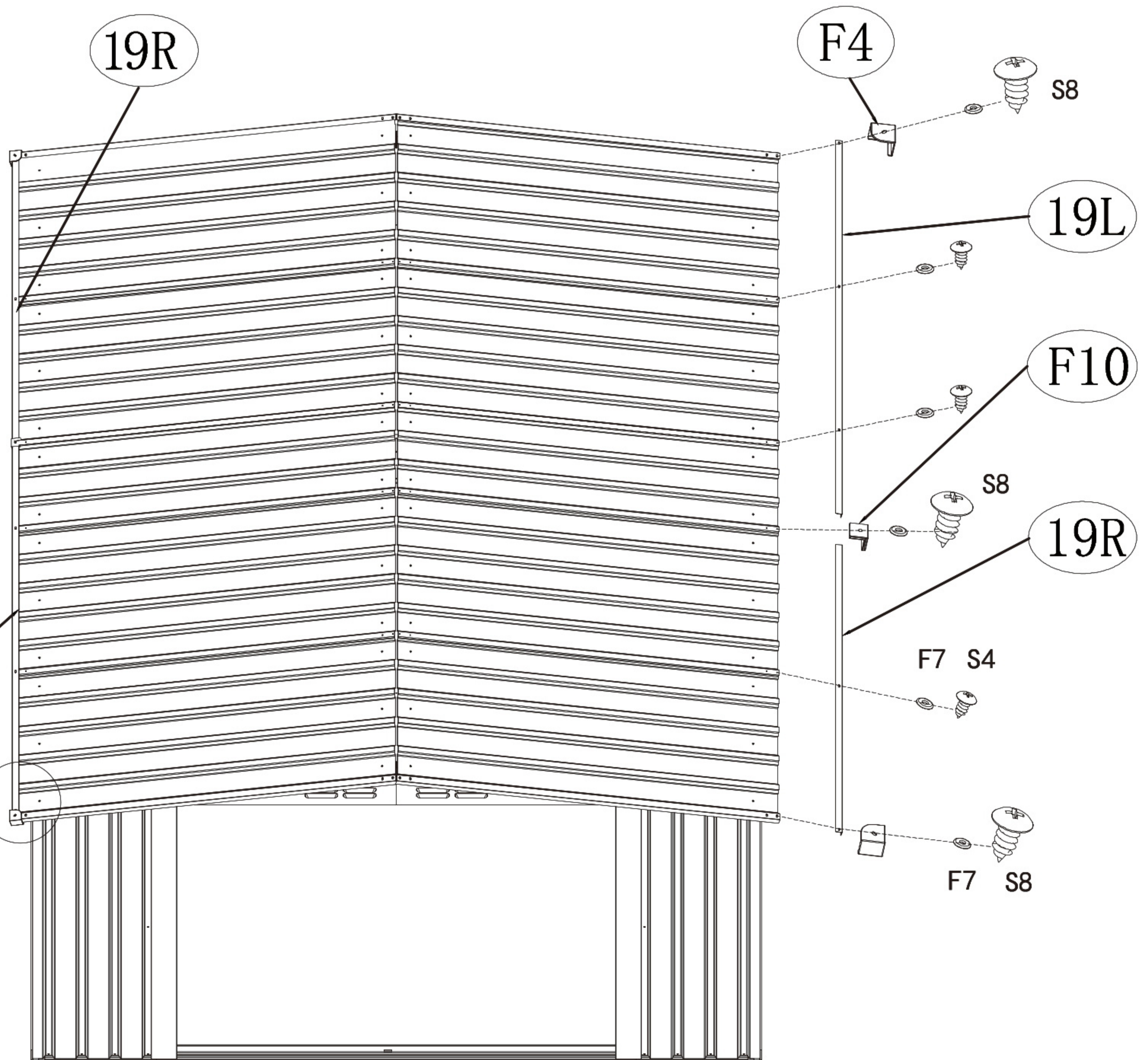
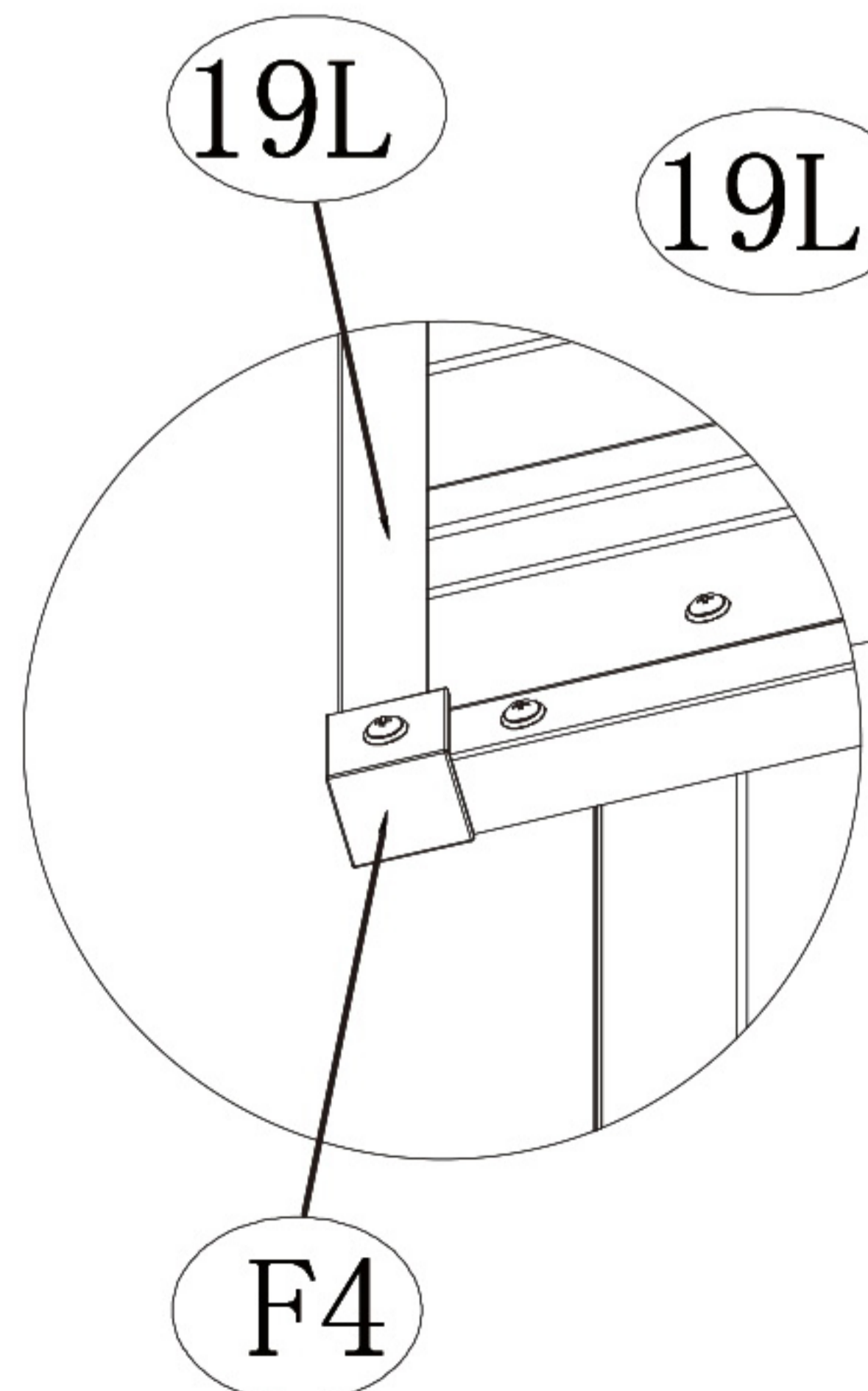
STEP 21

| NO. | PART. | Qty. |
|-----|--|------|
| 20 |  1264mm | 4 |
| S4 |  | 8 |
| F7 |  | 8 |


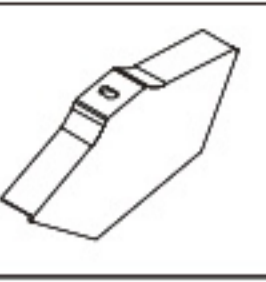
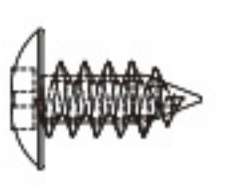
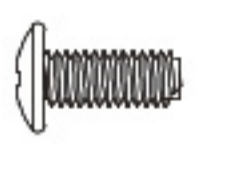




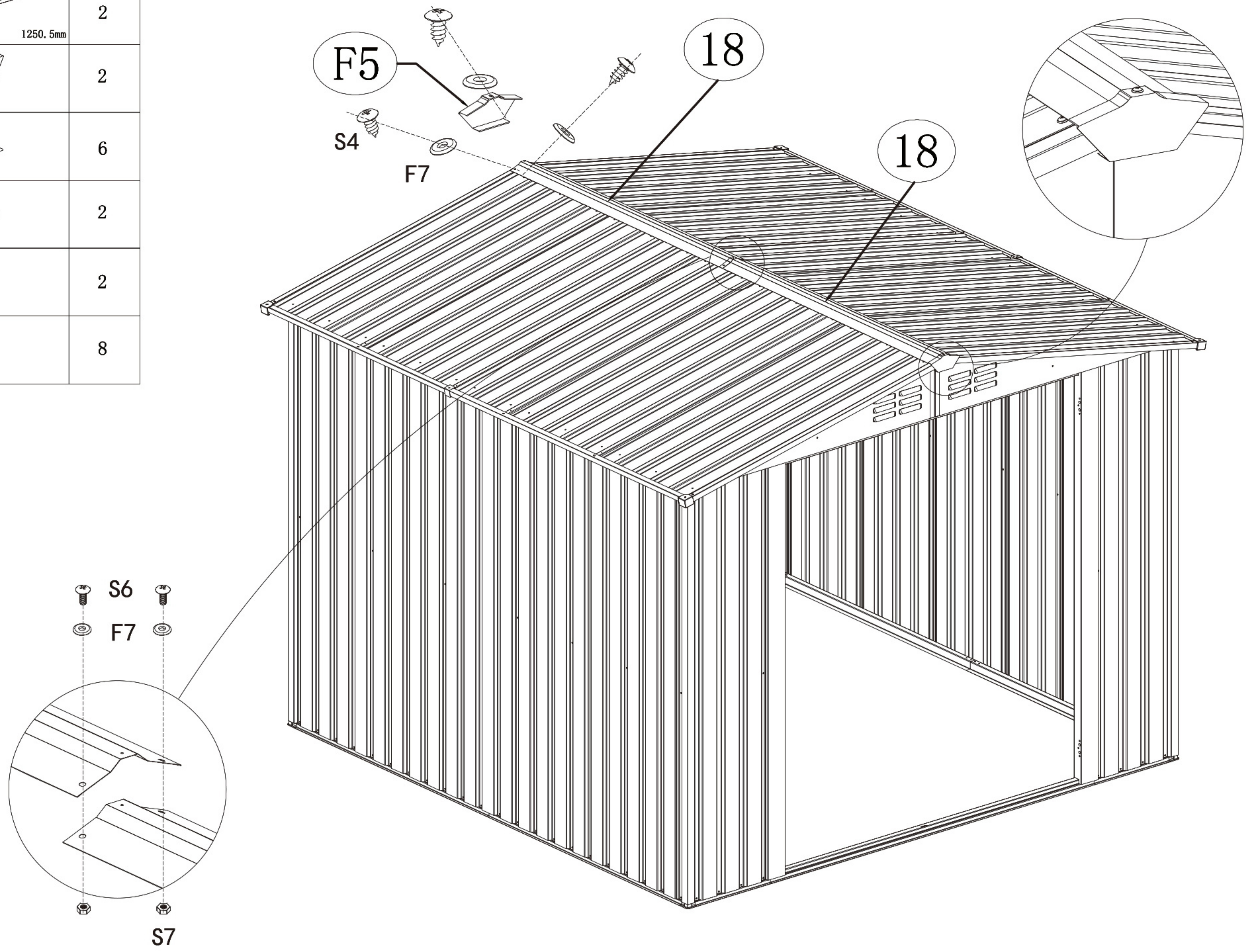
STEP 22

| NO. | PART. | Qty. |
|-----|---|------|
| 19L |  1393mm | 2 |
| 19R |  1072mm | 2 |
| F4 |  | 4 |
| F10 |  | 2 |
| S4 |  | 12 |
| S8 |  | 6 |
| F7 |  | 18 |

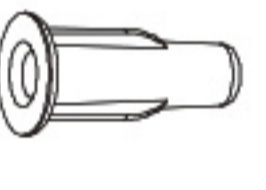


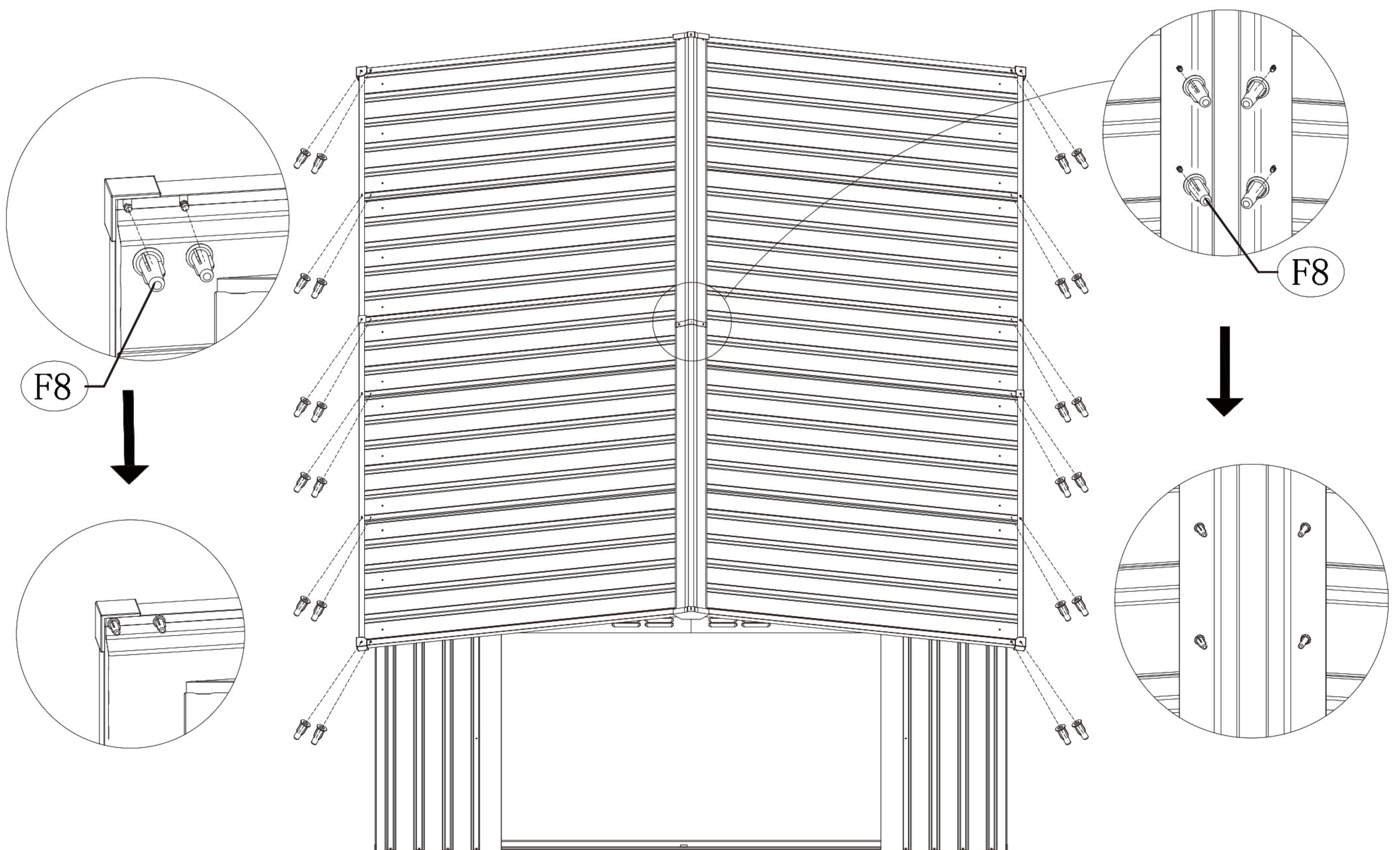
STEP 23

| NO. | PART. | Qty. |
|-----|---|------|
| 18F |  1250, 5mm | 2 |
| F5 |  | 2 |
| S4 |  | 6 |
| S6 |  | 2 |
| S7 |  | 2 |
| F7 |  | 8 |

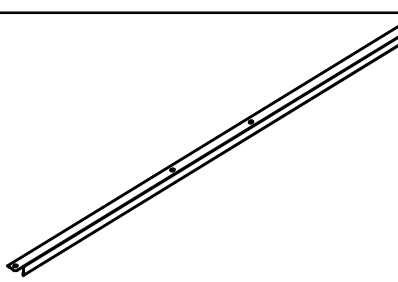
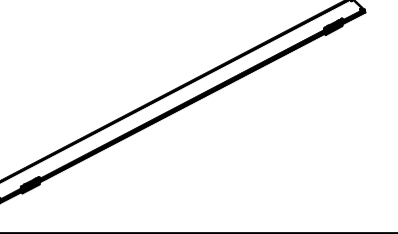
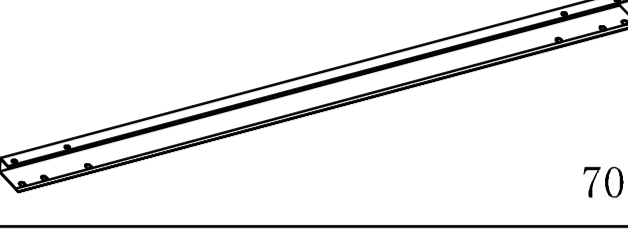
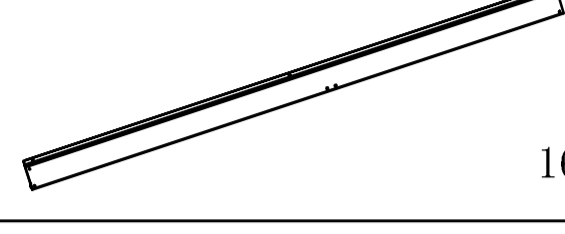
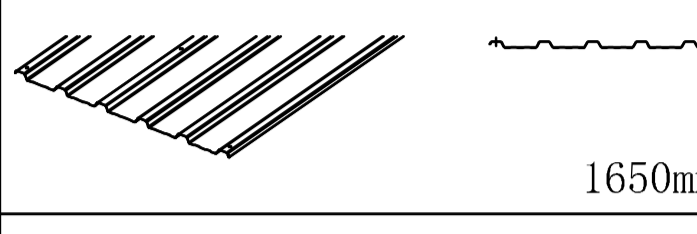
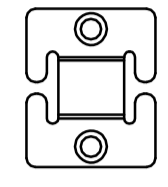
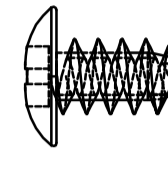
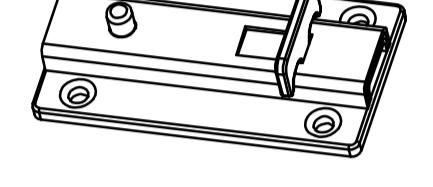
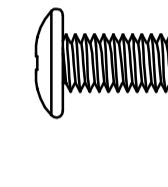
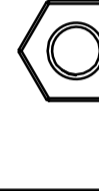

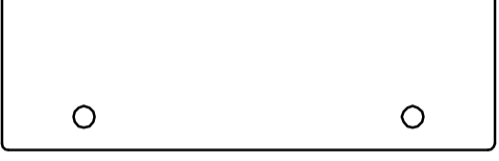


STEP 24

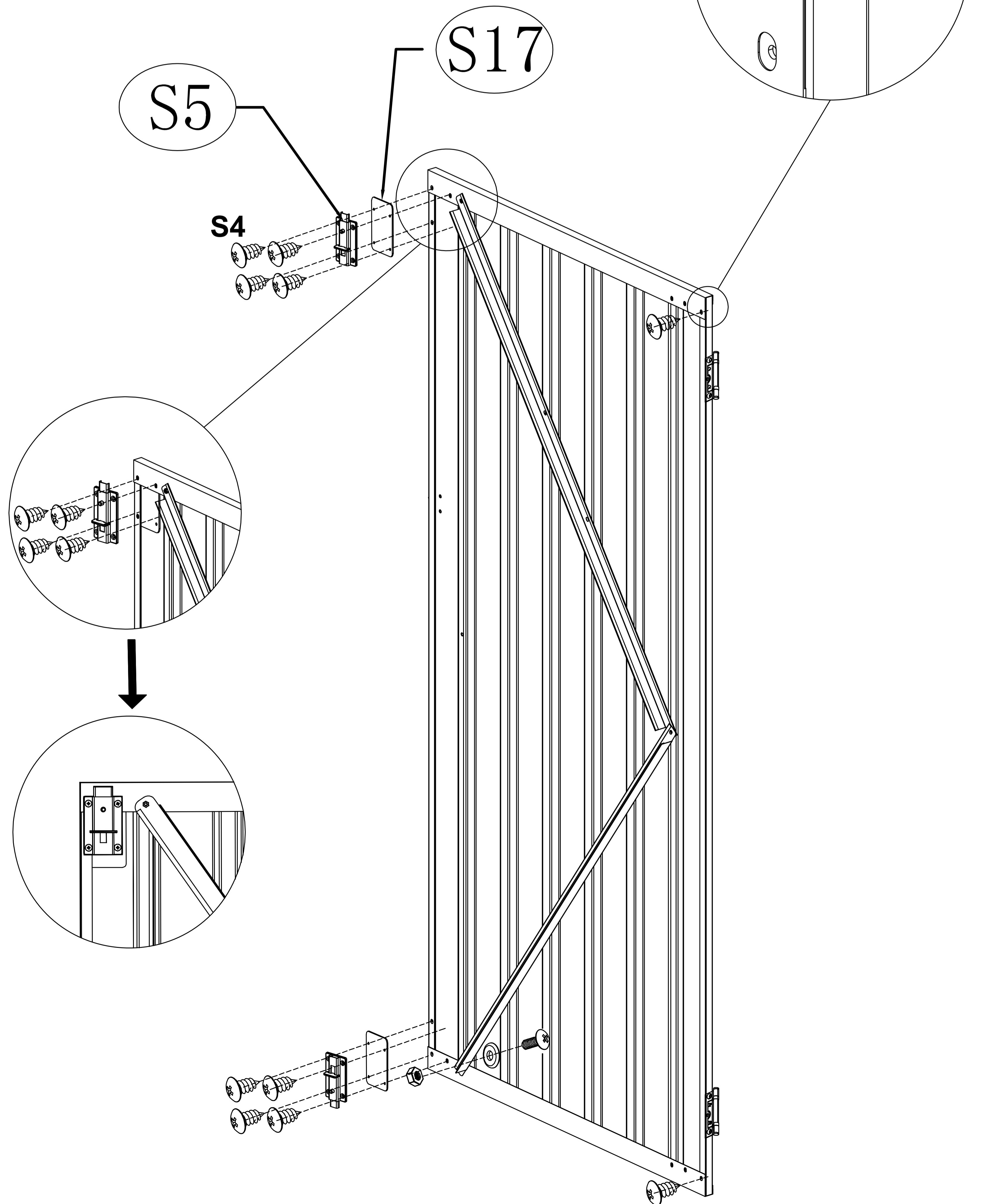
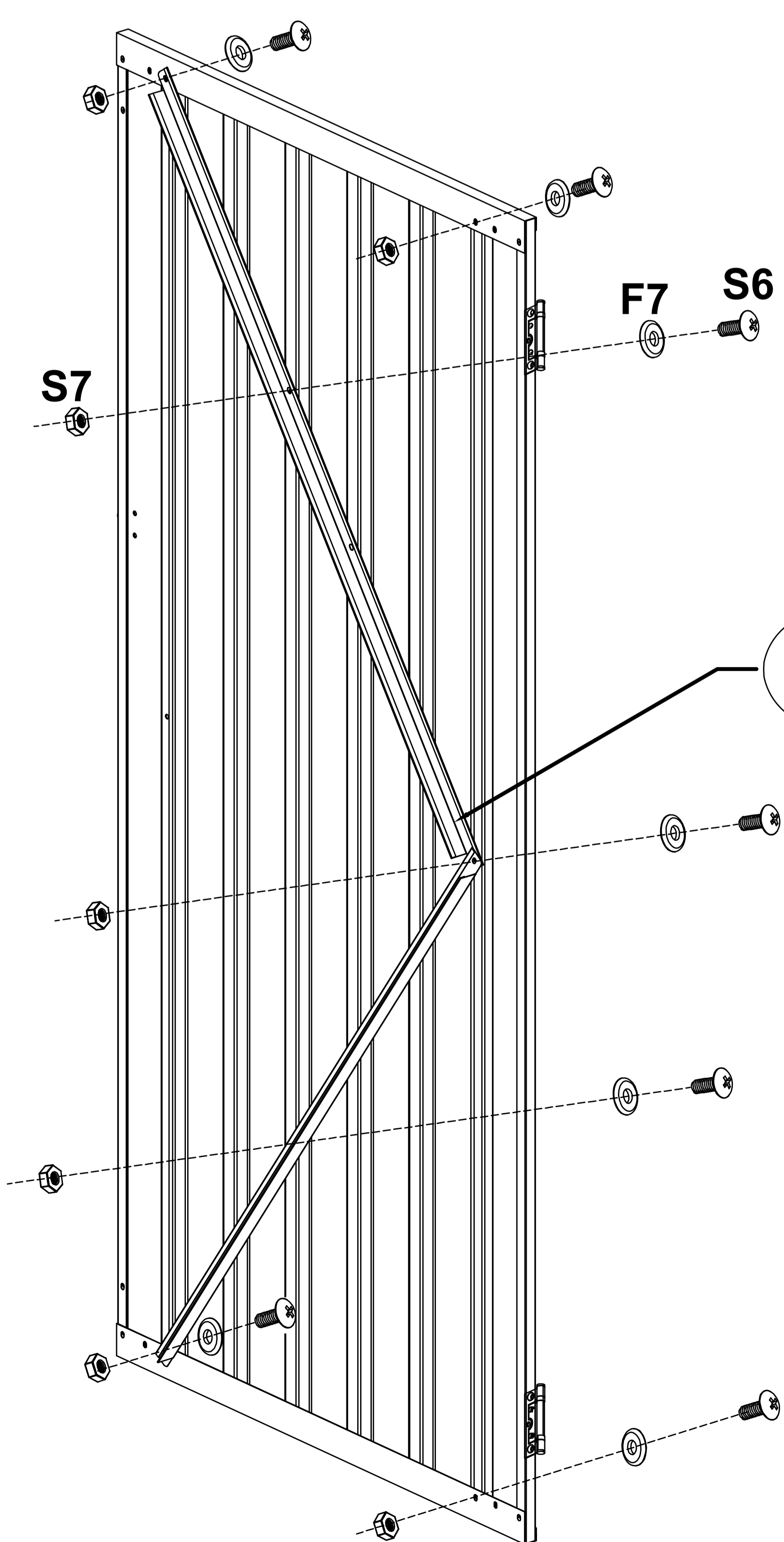
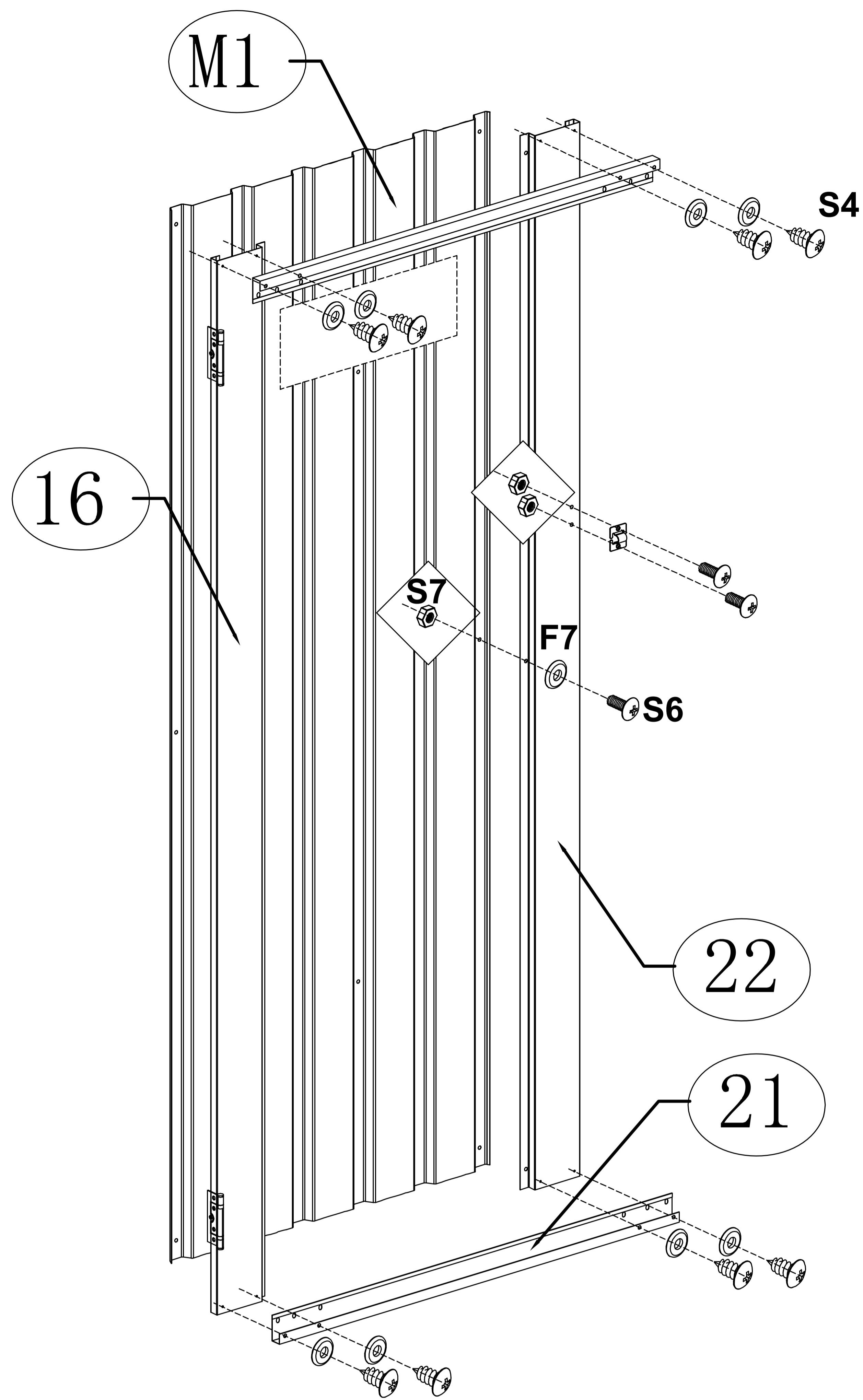
| NO. | PART. | Qty. |
|-----|---|------|
| F8 |  | 52 |



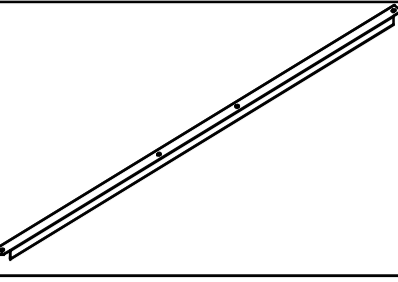
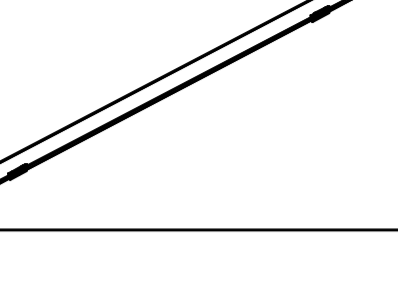
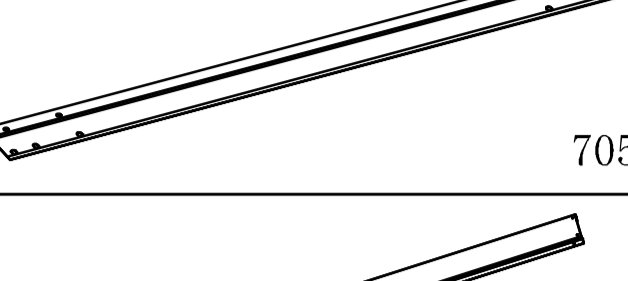
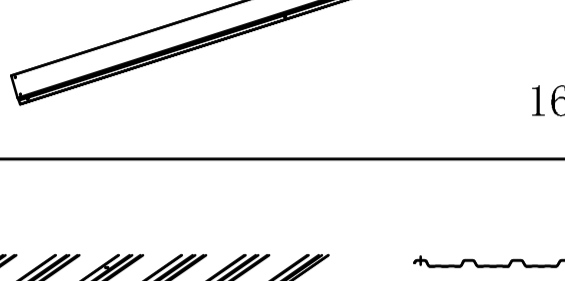
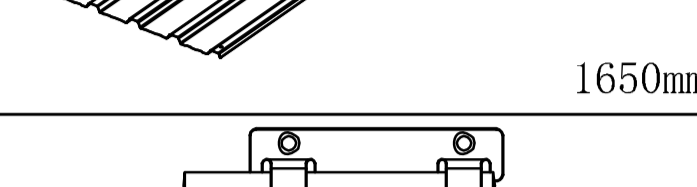
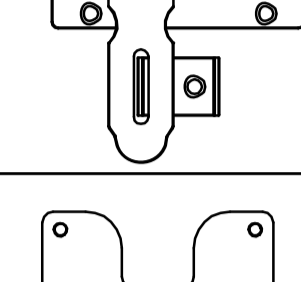
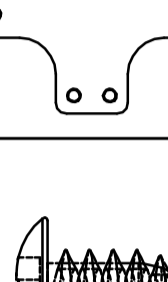
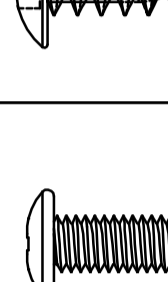



STEP 25

| NO. | PART. | Qty. |
|-----|--|------|
| 15 |  981mm | 2 |
| 16 |  1652mm | 1 |
| 21 |  705mm | 2 |
| 22 |  1652mm | 1 |
| M1 |  1650mm | 1 |
| S1 |  | 1 |
| S4 |  | 18 |
| S5 |  | 2 |
| S6 |  | 10 |
| S7 |  | 10 |
| F7 |  | 16 |
| S17 |  | 2 |

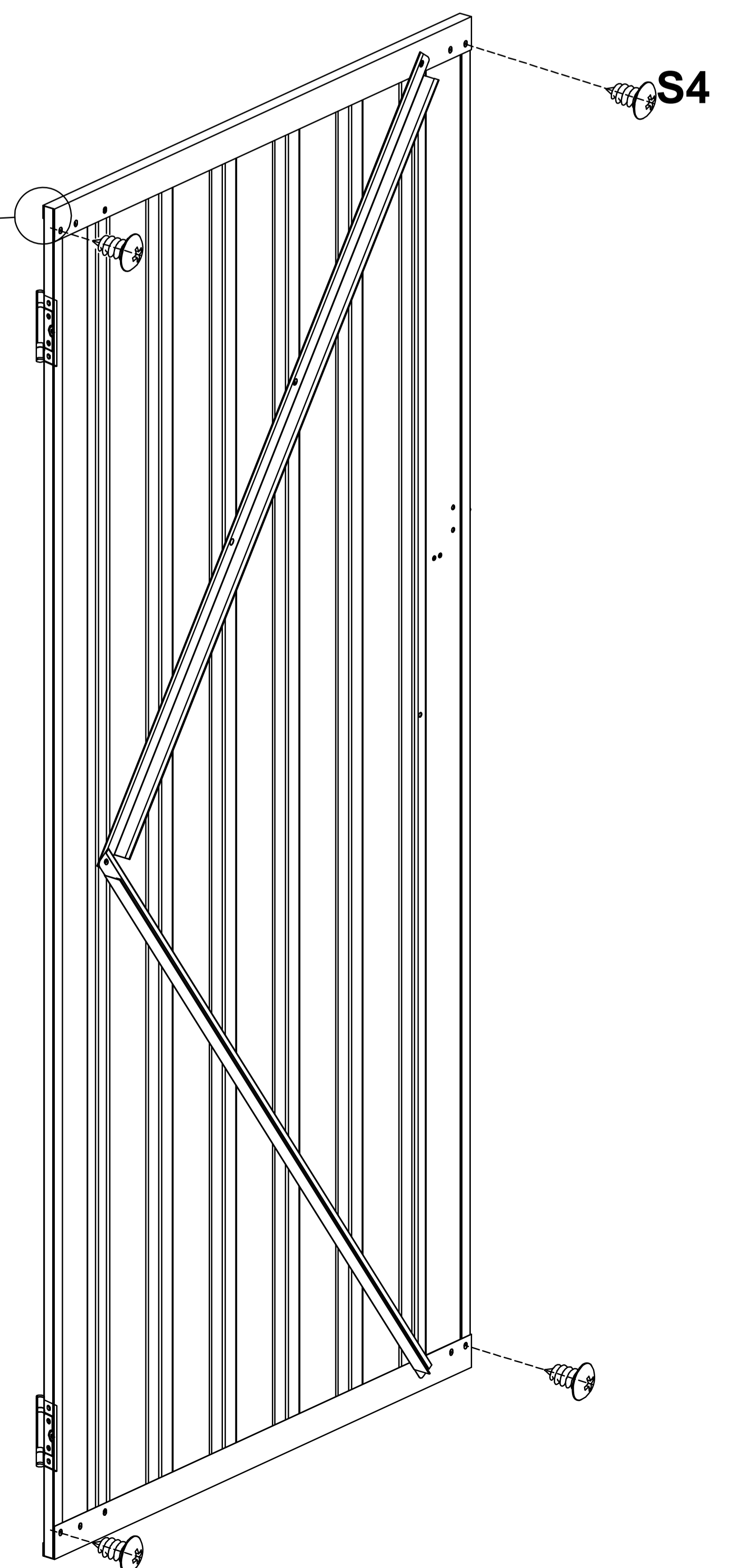
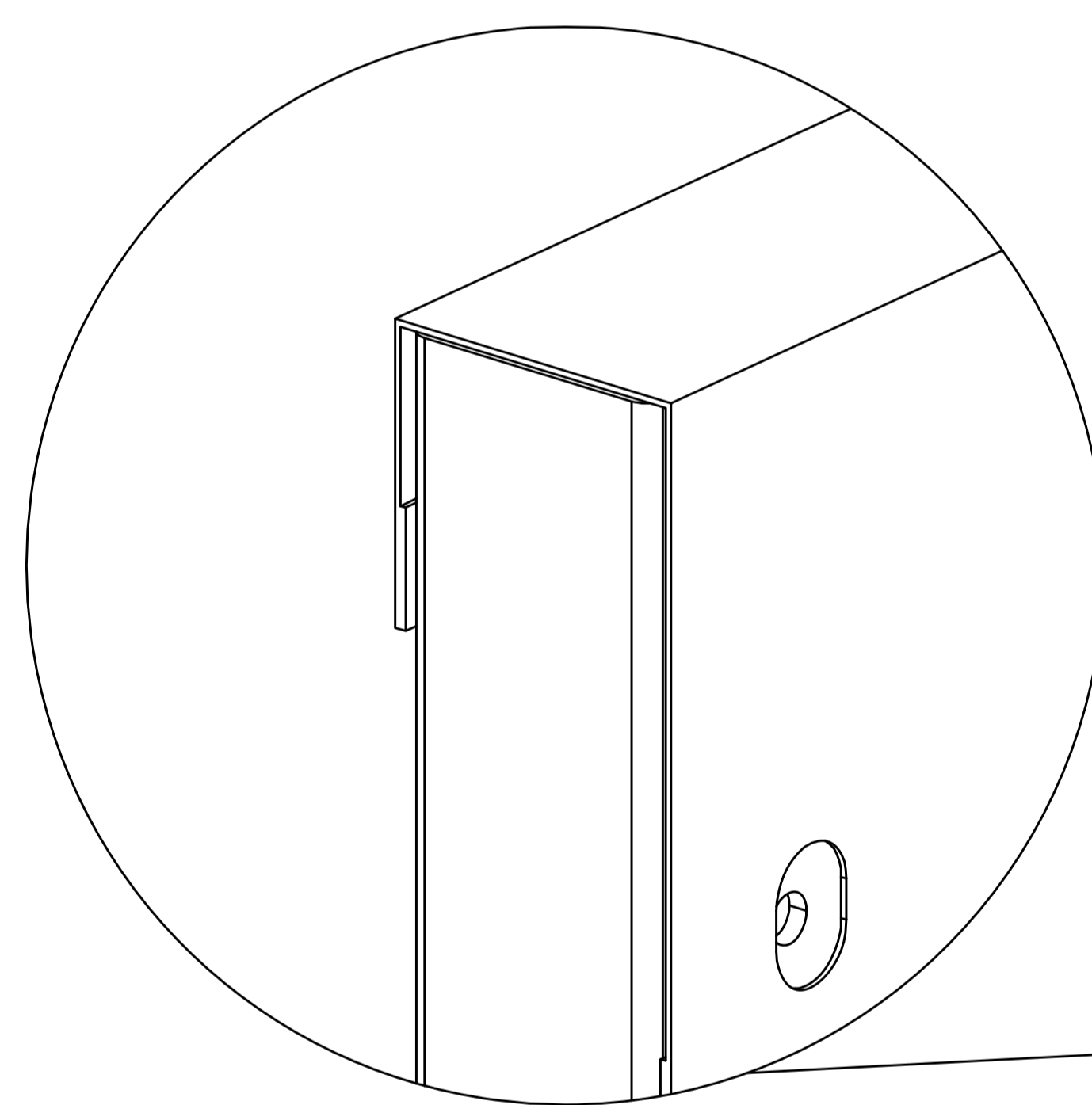
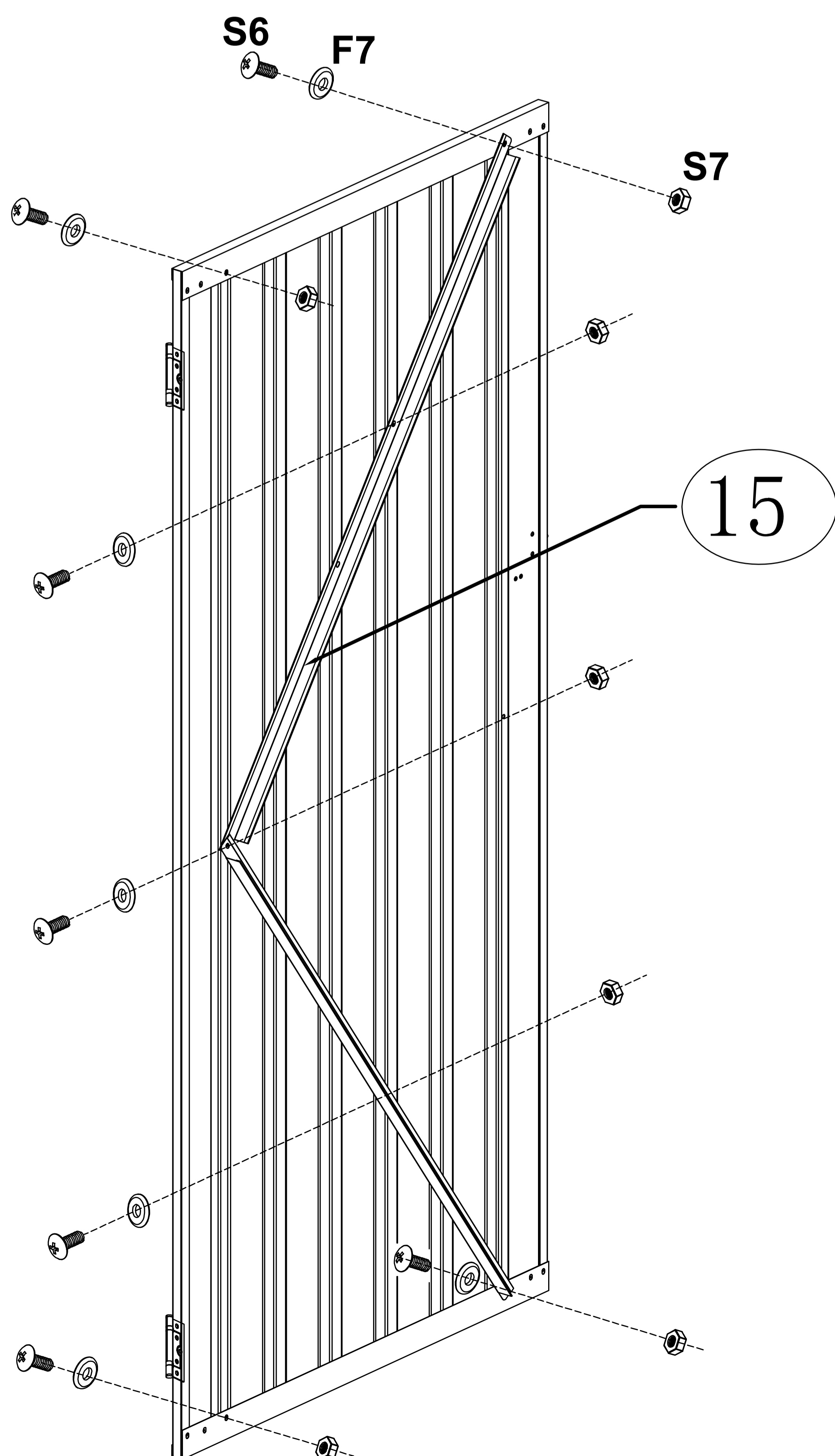
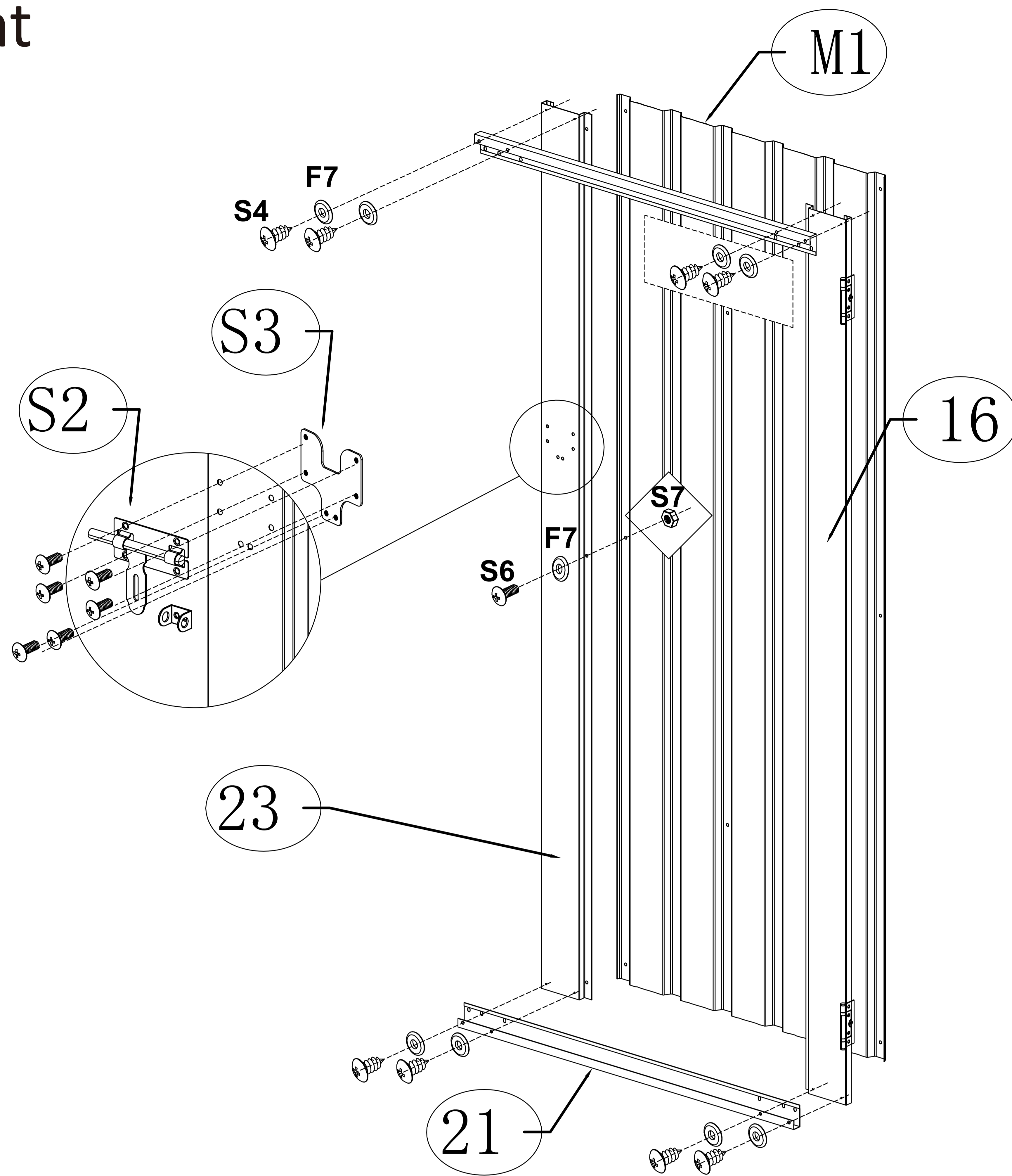
Left



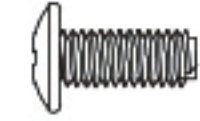


STEP 26

| NO. | PART. | Qty. |
|-----|--|------|
| 15 |  981mm | 2 |
| 16 |  1652mm | 1 |
| 21 |  705mm | 2 |
| 23 |  1652mm | 1 |
| M1 |  1650mm | 1 |
| S2 |  | 1 |
| S3 |  | 1 |
| S4 |  | 12 |
| S6 |  | 14 |
| S7 |  | 8 |
| F7 |  | 16 |

Right



STEP 27

| NO. | PART. | Qty. |
|-----|---|------|
| S6 |  | 12 |
| S7 |  | 12 |
| S9 |  | 4 |

