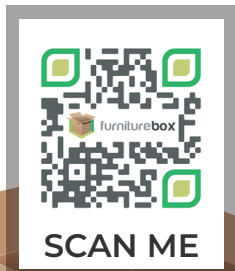
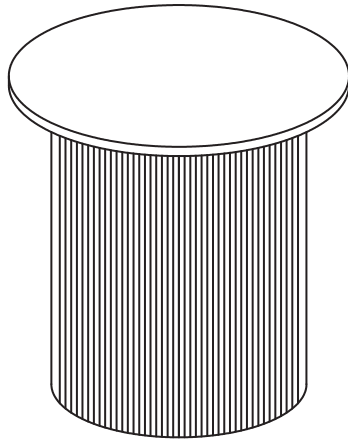


# PENROSE ROUND PILLAR SIDE TABLE ASSEMBLY GUIDE



[www.furniturebox.co.uk](http://www.furniturebox.co.uk)

Scan QR code for more tips,  
and advice or visit  
[furniturebox.co.uk/club/general-club-page](http://furniturebox.co.uk/club/general-club-page)



**furniturebox**

**Important - Please read these instructions fully before starting assembly**



**SAFETY AND  
CARE ADVICE**



**NO POWER TOOLS**

## **SAFETY AND CARE ADVICE**

- Check you have all the components and tools listed.
- Remove all fittings from the plastic bags and separate them into their groups.
- We do not recommend the use of power drills/drivers for inserting screws, as this could damage the unit. Only use hand screwdrivers and Allen keys.
- Keep children and animals away from the work area, small parts could cause choking if swallowed.
- Make sure you have enough space to lay out the parts before starting.
- Assemble the item as close to its final position (in the same room) as possible.
- Do not overtighten the nuts to avoid causing damage to the threads.
- Only clean using a damp cloth and mild detergent, do not use bleach or abrasive cleaners.
- From time to time check that there are no loose screws on this unit.
- This product should not be discarded with household waste. Take to your local authority waste disposal centre.



**Follow us on Instagram**  
**@furniturebox\_uk**

## IMPORTANT INFORMATION



30 MINUTE  
BUILD



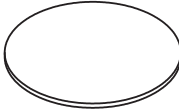
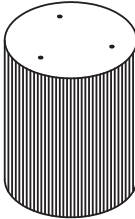
TWO  
PERSON



MAXIMUM  
CAPACITY 40Kg

PLEASE CHECK CAREFULLY AND MAKE SURE YOU HAVE ALL FITTINGS AND TOOLS LISTED BELOW BEFORE YOU START.

### PARTS LIST:

DESCRIPTION	PART NAME	Q'ty(PCS)
①		1
②		1

**NOTE:** The quantities above are the correct amount to complete the assembly. In some cases more fittings may be supplied than are required.

# IMPORTANT INFORMATION



30 MINUTE  
BUILD






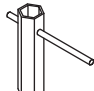

TWO  
PERSON



MAXIMUM  
CAPACITY 40Kg

PLEASE CHECK CAREFULLY AND MAKE SURE YOU HAVE ALL FITTINGS AND TOOLS LISTED BELOW BEFORE YOU START.

## HARDWARE LIST:

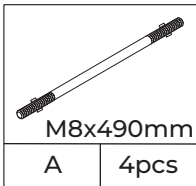
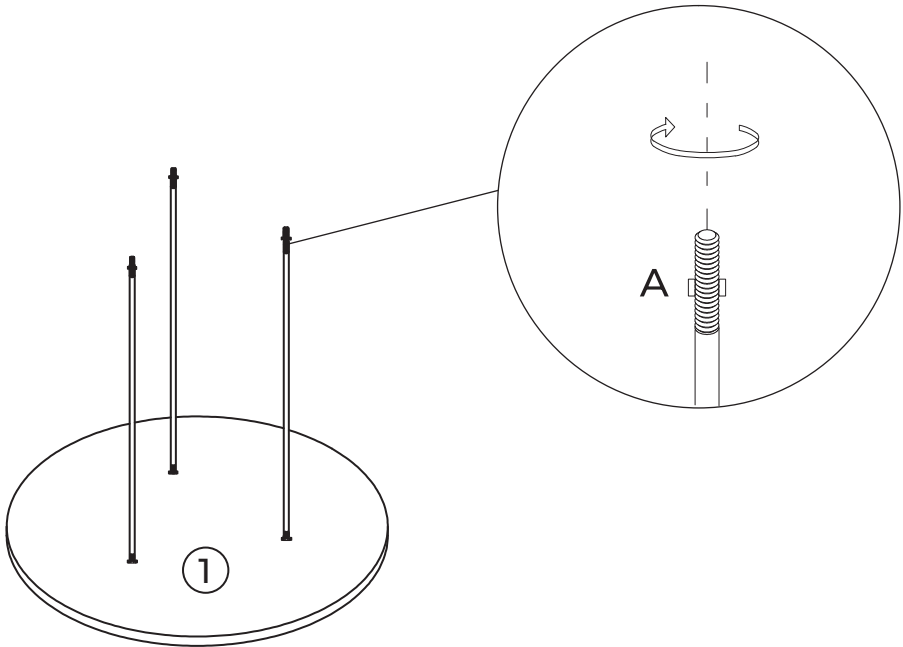
 M8x490mm	 M8	 Ø8x18
A   4PCS	B   4PCS	C   4PCS
 8#		
D   1PC	E   8PCS	

**NOTE:** The quantities above are the correct amount to complete the assembly. In some cases more fittings may be supplied than are required.

# STEP 1

Use a clean, flat, soft surface to avoid any bumps or scratches.  
Unpack and place table top [1] with its underside facing up.  
Screw 3 x threaded rods [A] into table top [1].

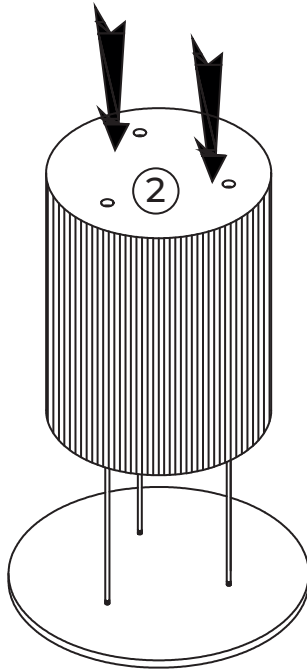
**Note:** Please take care not to over tighten the rods [A].





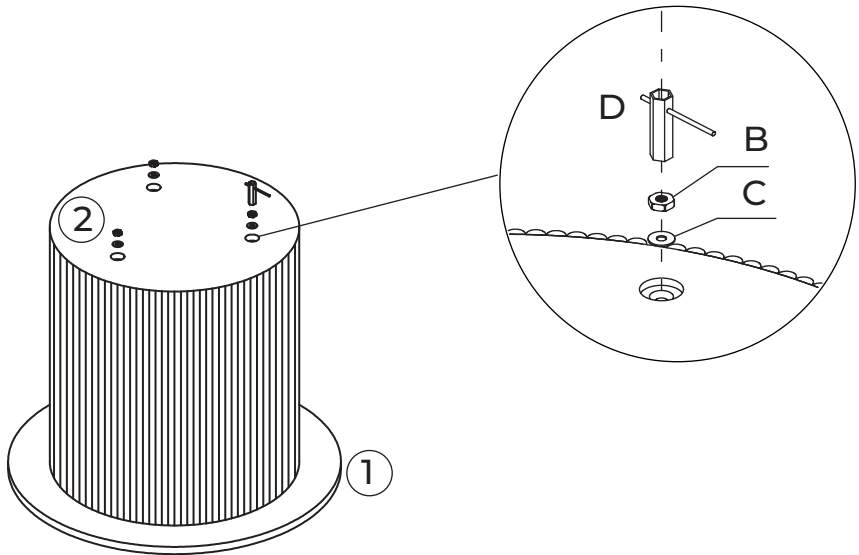
## STEP 2



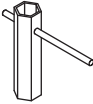
Unpack pillar [2] and with help, carefully slide pillar [2] onto table top [1], making sure the threaded rods pass through the holes in pillar [2].



## STEP 3

Secure pillar [2] to table top [1] using 3 x washers [C] and 3 x nuts [B]. Tighten nuts [B] with spanner [D].



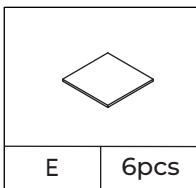
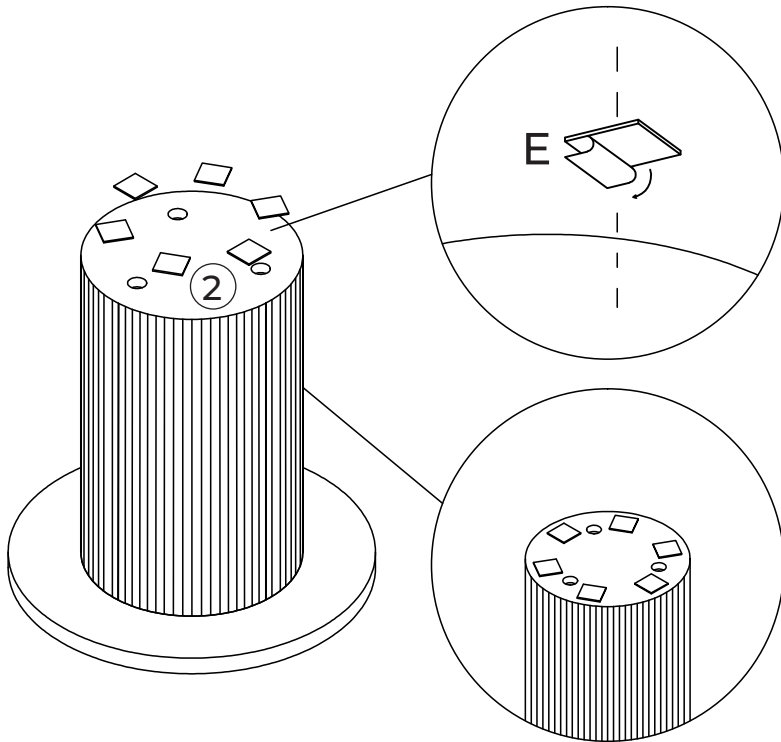
					
M8		Ø8x18		8#	
B	3pcs	C	3pcs	D	1pc



## STEP 4

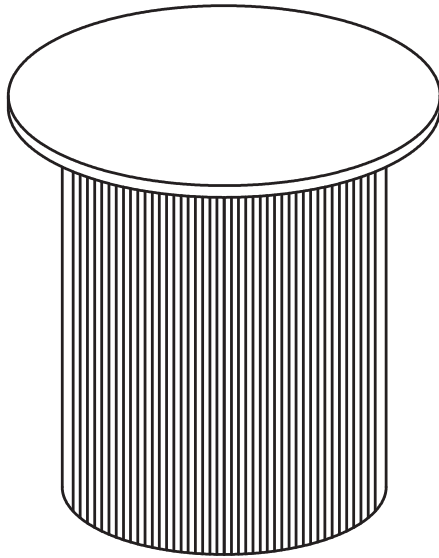
Peel off the backing of a felt pad [E] and paste it onto the bottom of pillar base [2]. Repeat this step with the remaining felt pads [E].

**Note:** Position the felt pads as close to the edge as possible. With help, carefully turn your side table upright.



## STEP 5

Your side table is complete and ready to use.





furniturebox



WE **LOVE** INTERIORS! SHARE YOURS WITH US ON SOCIAL MEDIA

1. follow us on Instagram
2. post your interior
3. tag us to be featured



@furnitureboxUK



@furniturebox\_uk



@furnitureboxuk

[www.furniturebox.co.uk](http://www.furniturebox.co.uk)

Follow us on Instagram  
[@furniturebox\\_uk](https://www.instagram.com/furniturebox_uk)

# LOOKING GOOD!

Now you've assembled your product find out how to care for your item and keep it looking brand new.



Look for your care guide in the box or visit:  
[www.furniturebox.co.uk/club/care-guide](http://www.furniturebox.co.uk/club/care-guide)



## OUR 2 YEAR GUARANTEE

our products come with a 2 year guarantee to give you peace of mind shopping at Furniturebox

some garden furniture items have a 1 year guarantee



## WHAT THE GUARANTEE COVERS



**PRE-INSERTED FIXINGS**  
e.g. loose metal threads



**FAULTY JOINTS**  
e.g. legs bending



**EXTERNAL FIXING FAULTS**  
e.g. metal discs removing from table top



**STRUCTURAL INTEGRITY**  
e.g. the frame of the product



## ACTIVATE YOUR GUARANTEE ONLINE

scan this QR code with your phone to read the full guarantee online and register your product. It only takes a moment to fill out. Or visit: [furniturebox.co.uk/our-guarantee](https://furniturebox.co.uk/our-guarantee)

Furniturebox UK, Unit 6 St Modwen's Park,  
Chippenham, SN15 5BD  
Tel: 01747 863333 Email: [sales@furniturebox.co.uk](mailto:sales@furniturebox.co.uk)