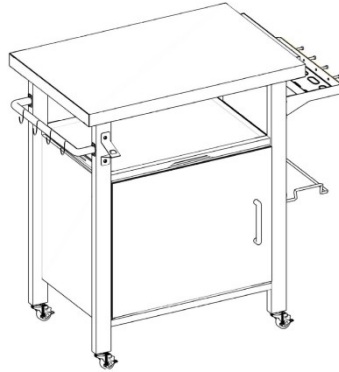


# Grill Cart with Pull out Shelf

## OWNER'S MANUAL

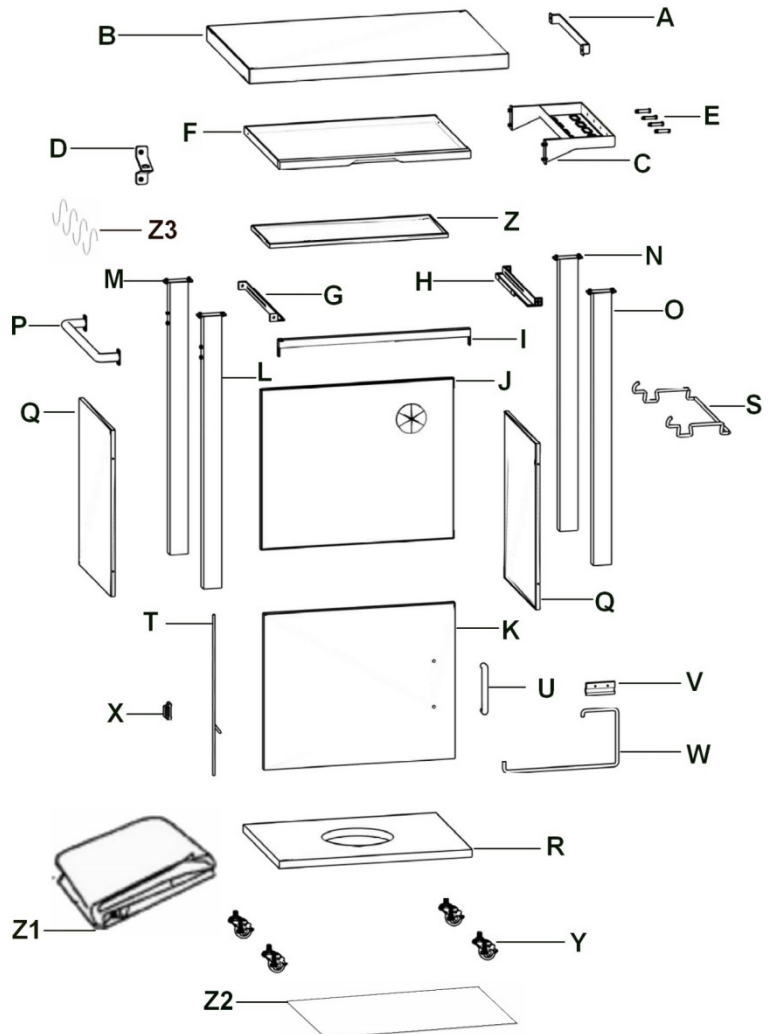


### 1. Warning

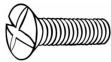


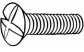




- DO NOT allow your children to play near it when grill is in use on the cart.

### 2. Part List

NO.	Parts	Qty.
A	Knife rack	1
B	Table top	1
C	Side shelf	1
D	Bottle opener	1
E	Hanging bolt	4
F	Slide shelf	1
G	Left shelf support	1
H	Right shelf support	1
I	Front bar	1
J	Back panel	1
K	door	1
LMNO	Legs	4
P	Handle	1
Q	Side panel	2
R	Bottom panel	1
S	Trash bag holder	1
T	Door pin	1
U	Door handle	1
V	Roll support	1
W	Roll holder	1
X	Door stopper	1
Y	Wheels	4
Z	Middle panel	1
Z1	Cover	1
Z2	PVC liner	1
Z3	S hook	4

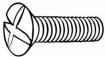



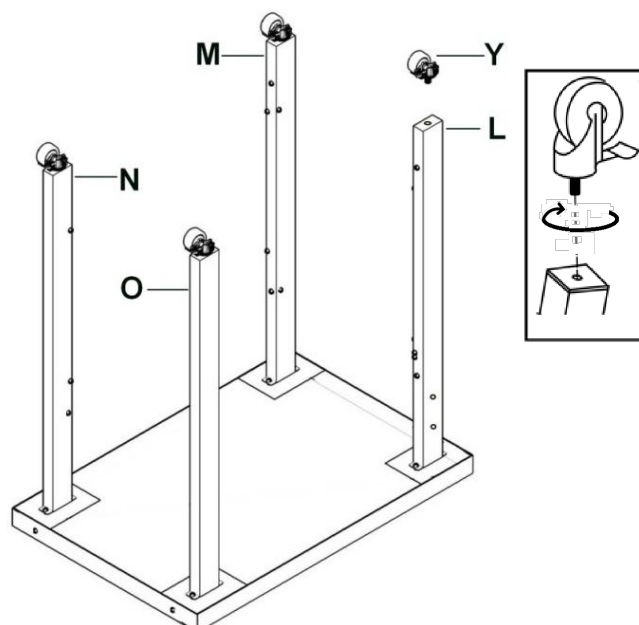
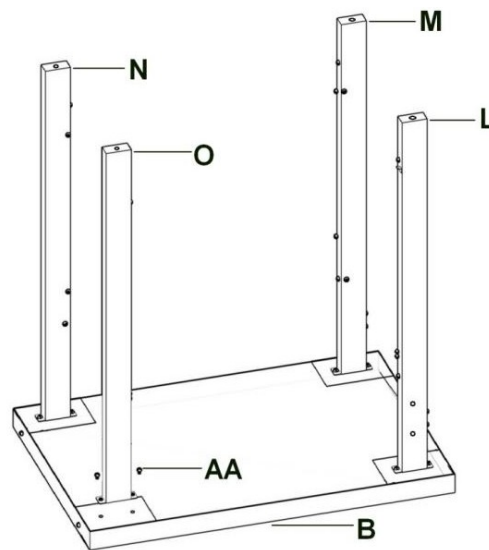
### 3. Hardware

Reference Image	NO.	Hardware	Qty.
	AA	M6X12 Bolt	50
	BB	Drawer bolt M6X15	2
	CC	Drawer nut M6	2
	DD	M4X12 Bolt	2
	EE	M4 Nut	2
	FF	M3X12 Bolt	2
	GG	Wrench	1
	HH	Allen Wrench	1

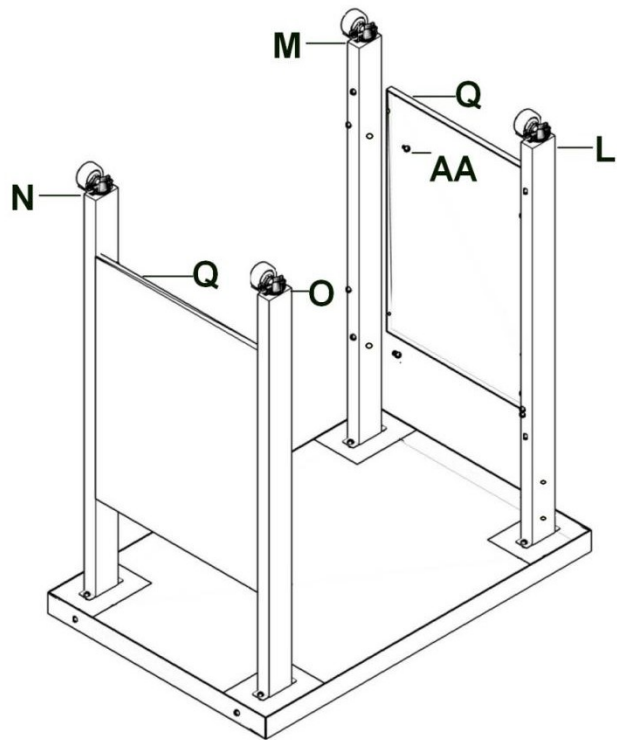
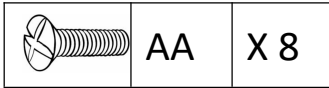
### 4. Assembly instruction

**Step1.** Attach Legs (L,M,N,O) to the Table top (B) by using 2PCS of M6X12 Bolts (AA) for each leg. Then attach Wheels (Y) to Legs (L,M,N,O).

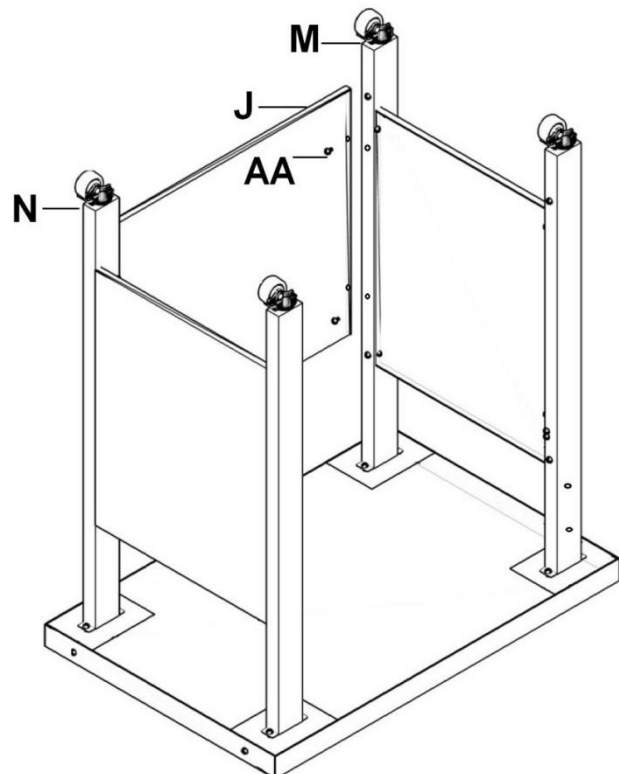
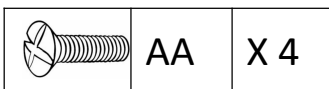
	AA	X 8
	Y	X 4



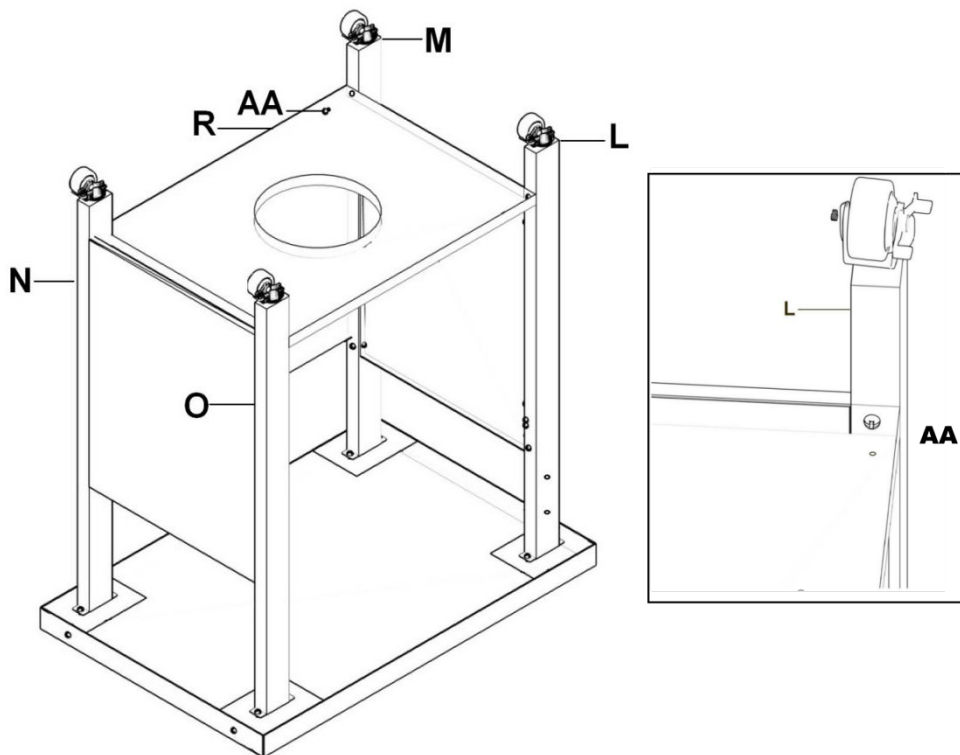
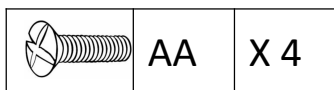
**Step2.** Attached the Side panel (Q) to Legs (L,M,N,O) by using 4PCS of M6X12 Bolts (AA) for each panel.



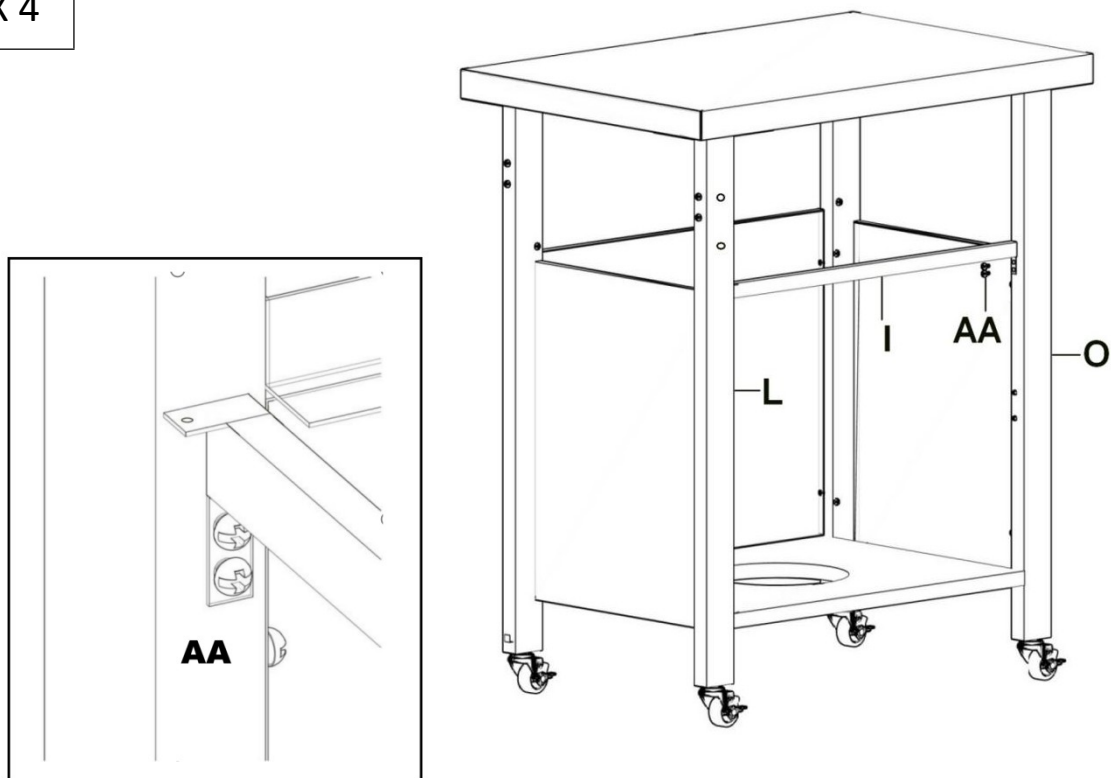
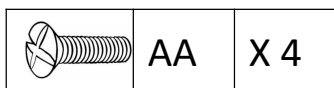
**Step3.** Attached the Back panel (J) to Legs (M, N) by using 4PCS of M6X12 Bolts (AA).



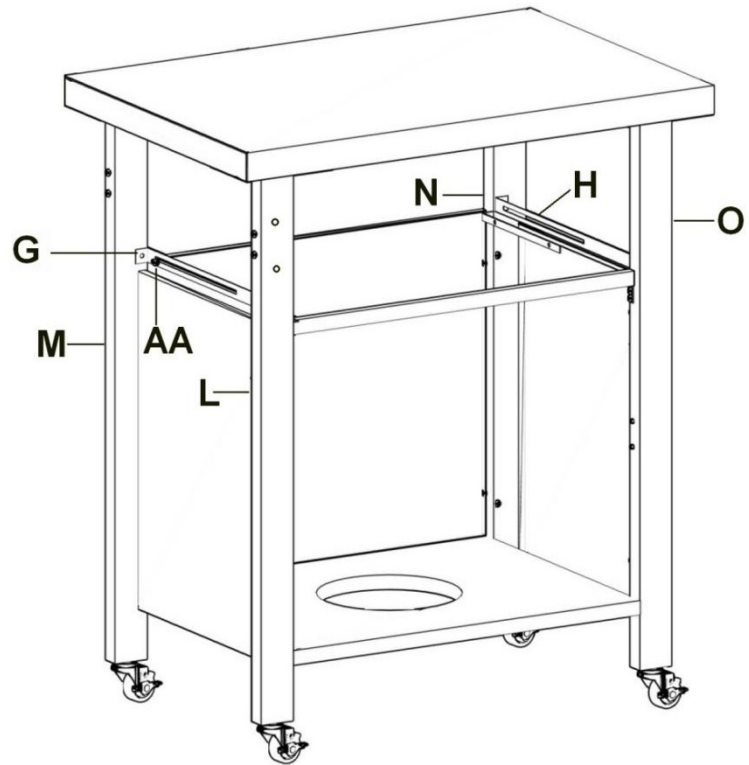
**Step4.** Attached the Bottom panel (R) to Legs (L,M,N,O) by using 1PC of M6X12 bolt (AA) for each leg.  
Please make sure to keep the Bottom panel (R) with Door pin hole at Leg (L) side.



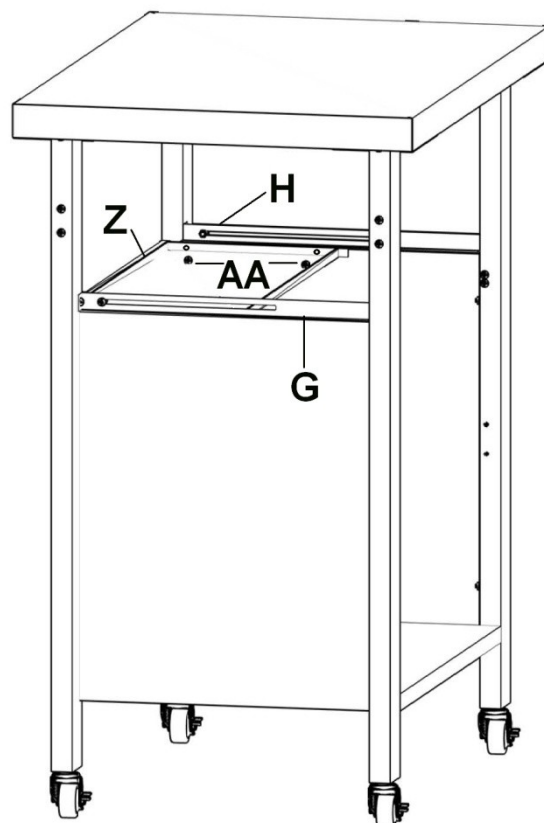
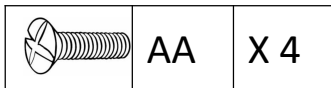
**Step5.** Turn over the assembled cart. Attach the Front bar (I) to Legs (L, O) by using 2PCS of M6X12 Bolts (AA) for each side. Please make sure the door pin hole facing front side.





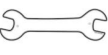
**Step6.** Attach the Left shelf support (G) and Right shelf support (H) to the Legs (L,M,N,O) as followed picture, using 2pcs of M6X12 bolt (AA) each support.

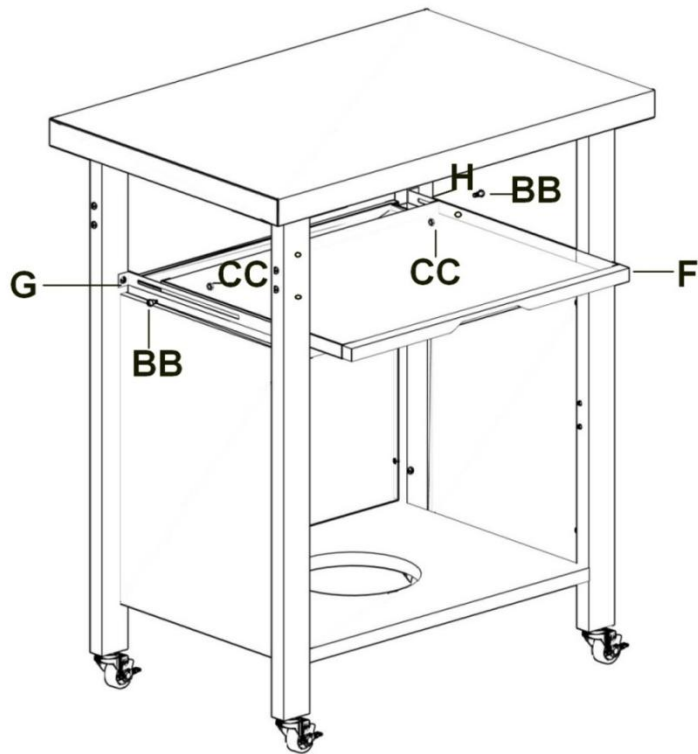


**Step7.** Attach the Middle panel (Z) to the Left shelf support (G) and Right shelf support (H), using 4pcs of of M6X12 Bolt (AA).

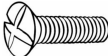


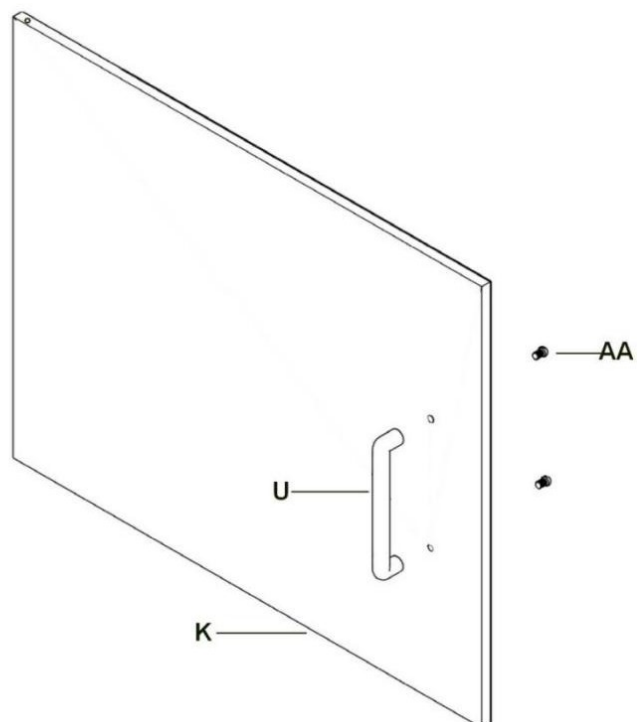
**Step8.** Attach the Slide shelf (F) to the Left shelf support (G) and Right shelf support (H) as followed picture, using 2pcs of Drawer bolt (BB) and Drawer nut (CC). Wrench (GG) be provided.

	BB	X 2
	CC	X 2
	GG	X 1

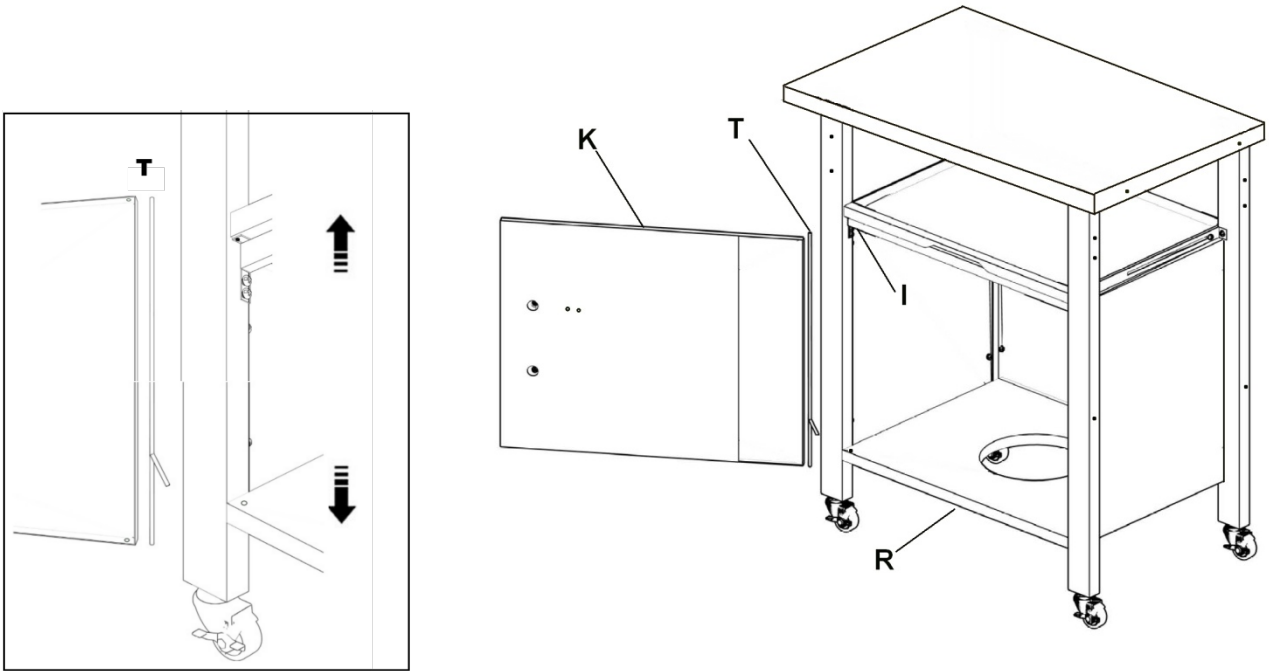


**Step9.** Attached the Door handle (U) to the Door (K) as followed picture, using 2pcs of M6X12 Bolt (AA).

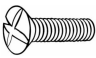
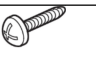
	AA	X 2
---	----	-----

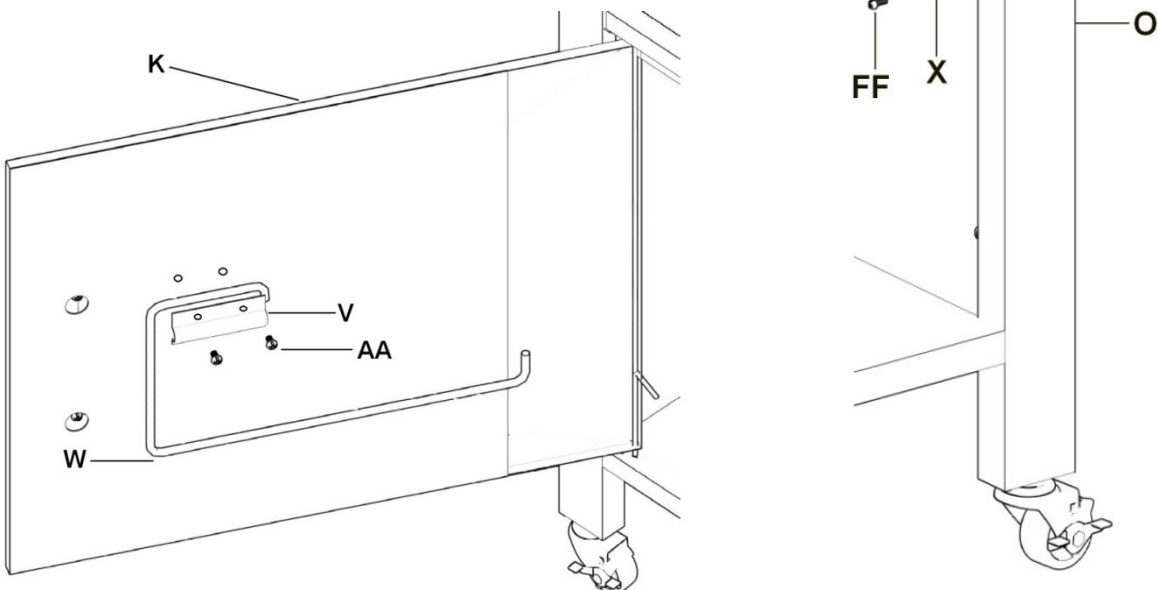


- Step10.** 1. Inert the Door hinge (T) through the Door (K) and the upper hole at the Front bar (I) as showed picture followed.  
 2. Put the Door hinge (T) through the Door (K) and the hole at the Bottom shelf (R).



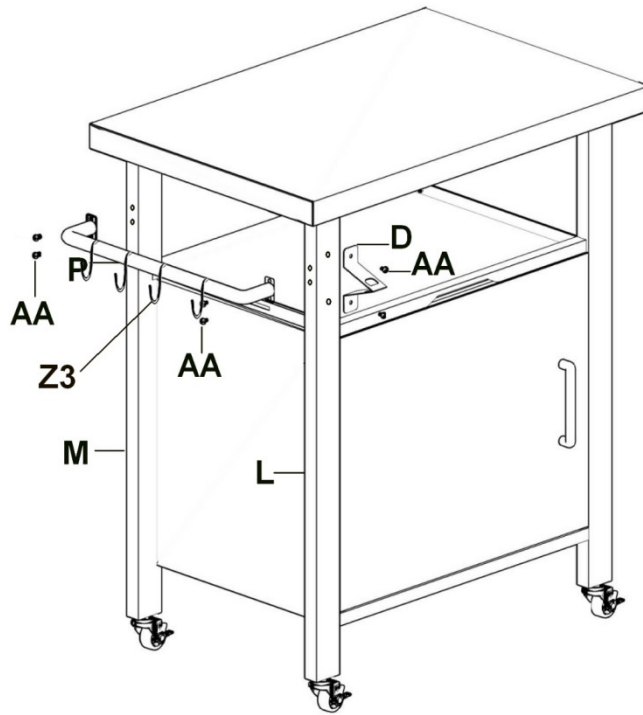
- Step11.** Attach the Roll holder (W) and Roll holder support (V) to the back side of the Door (K), using 2pcs of M6X12 Bolt (AA). Attach the Door stopper (X) to Leg (O), using 2pcs of M3X12 Bolt (FF).

	AA	X 2
	FF	X 2

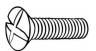




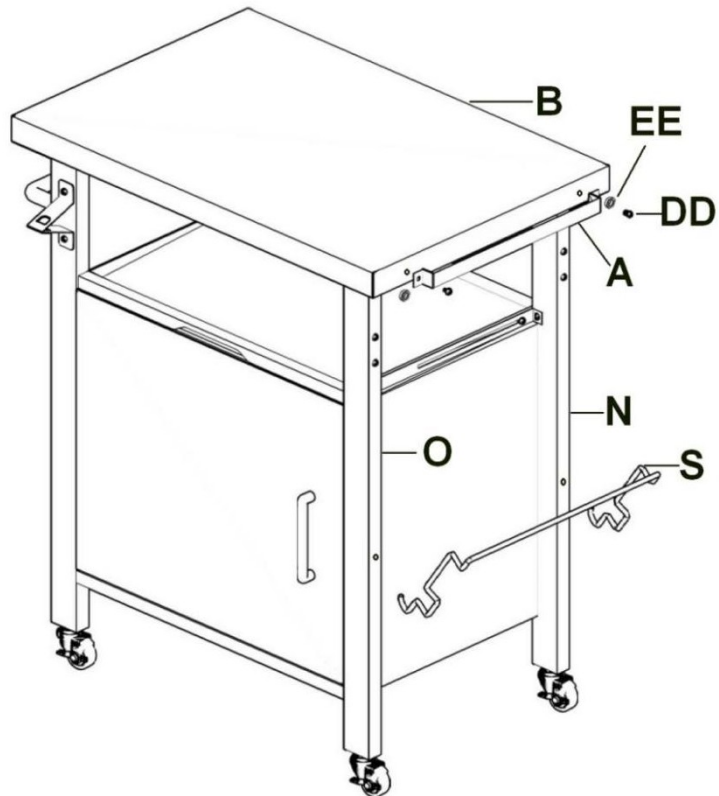
**Step12.** Attach the Bottle opener (D) to legs (L), using 2pcs of Bolt M6X12 (AA). Attach the Handle (P) to the legs (L,M), using 2pcs of Bolt M6X12 (AA) for each side. Hang S hook (Z3) onto the Handle (P).

	AA	X 6
---	----	-----

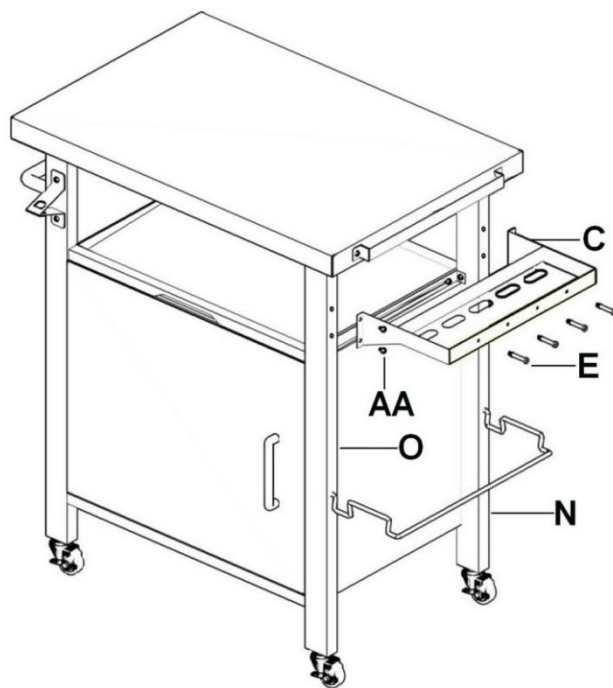
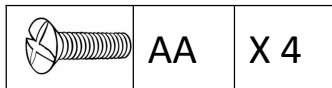


**Step13.** Attach the Knife rack (A) to the Table top (B) by using 2pcs of Bolt M4X12 (DD) and M4 Nut (EE). Wrench (GG) be provided. Insert the Trash bag holder (S) to the Holes of legs (N, O) as followed picture.

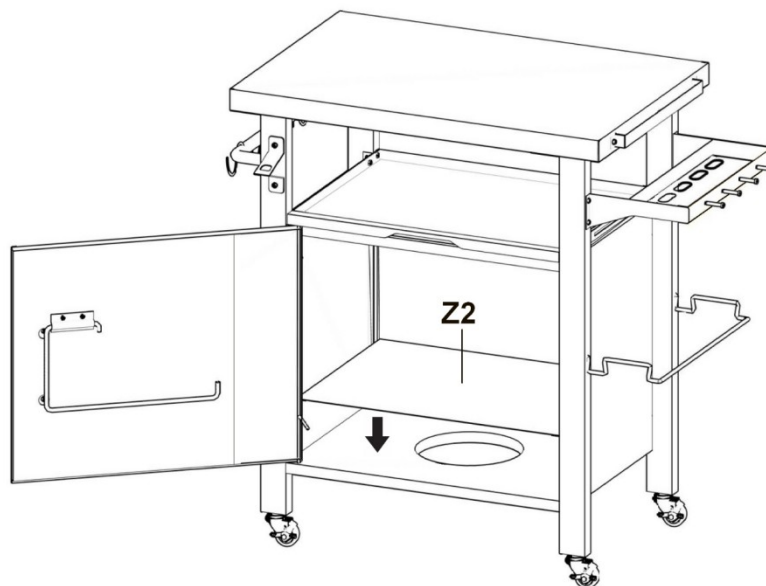
	DD	X 2
	EE	X 2
	GG	X 1



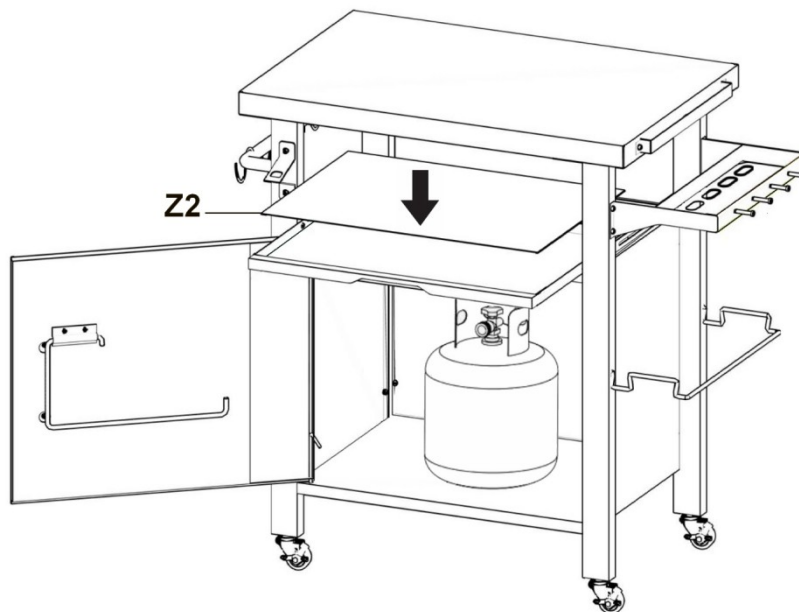
**Step14.** Attach the Side shelf (C) to legs (N,O), using 2pcs of Bolt M6X12 (AA) for each side.  
Then attach the Hanging bolt (E) to the side shelf simply by hand.



**Step15.** Place PVC Liner (Z2) on the bottom shelf.  
Cover the tank hole, avoid missing during moving cart.



**Step16.**When you keep propane tank inside the cart, please move the PVC liner (Z2) to Slide shelf.



Now your grill cart is ready for use!

To extend the life of your cart, clean it after each use and cover (Provided) to protect it.