

**MADERA™ 16-1/2" HEIGHT 1.6 GPF  
FLUSHOMETER TOILET SYSTEM LESS EVERCLEAN®**

- 3043.660** 1.6 gpf 16-1/2" Height Top Spud Bowl and Selectronic® Flush Valve

**BOWL:**

- Floor mount elongated flushometer valve toilet
- Vitreous china
- High Efficiency. Operates in the range of 1.1 gpf to 1.6 gpf (4.2 Lpf to 6.0 Lpf)
- Conventional glaze
- 10" or 12" rough-in
- 16-1/2" rim height for accessible application
- Condensation channel
- Powerful direct-fed siphon jet action
- Fully glazed 2-1/8" trapway
- 10" x 12" water surface area
- 1-1/2" inlet spud
- 100% factory flush tested
- Less toilet seat
- Model 3043.001

**SELECTRONIC® FLUSH VALVE:**

- Electronic flush valve with Selectronic® proximity system for "Hands Free" operation
- Self-Cleaning Piston operation helps prevent clogging and reduces maintenance
- Positive seal ensures leak-free performance
- Fully Mechanical Manual Override Button can flush toilet during a power outage
- Range can be adjusted manually or by remote control
- Sensor & electronic controls are fully enclosed and water resistant
- Adjustable Sanitary Flush: Valve can be programmed to open after a pre-programmed period of non-use
- 3-second Flush Delay
- Battery life up to 4 years (approx. 200,000 cycles)
- Low Battery indicator
- Battery can be changed without turning off the water
- Factory-installed 6V lithium battery included
- Adjustable tailpiece for rough-in flexibility
- Can be installed left or right hand
- Model 6065.161

**Includes:**

- 047007-0070A Inlet Spud (furnished with bowl)
- 481310-100 2 Bolt caps with retainers (furnished with bowl)
- Inlet includes 1" I.P.S. angle stop with back-flow prevention and vandal-resistant cap, sweat solder kit, cover tube and wall flange
- Outlet includes 1-1/2" vacuum breaker with adjustable tailpiece, spud coupling & flange



SEE REVERSE FOR ROUGHING-IN DIMENSIONS

**System MaP\* Score:**

- 1,000 grams of miso @ 1.6 gpf

\* Maximum Performance (MaP) testing performed by IAPMO R&T Lab. MaP Report conducted by Veritec Consulting, Inc. and Koeller and Company.

**Operating Pressure:**

Overall Range: 20-125 psi\*\*

Recommended: 25 psi (flowing)-80 psi (static)

\*\* Water pressure over 80 psi is not recommended for most plumbing fixtures.

**Flow Requirement:**

25gpm (94.6 L/min.)

**Nominal Fixture Dimensions:**

718 x 356 x 419mm (28-1/4" x 14" x 16-1/2")

**To Be Specified:**

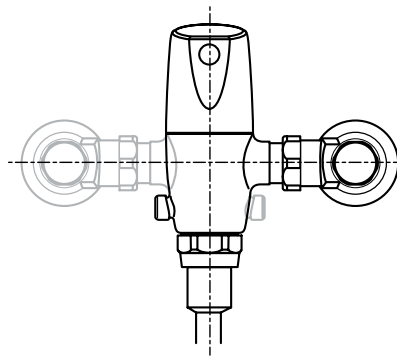
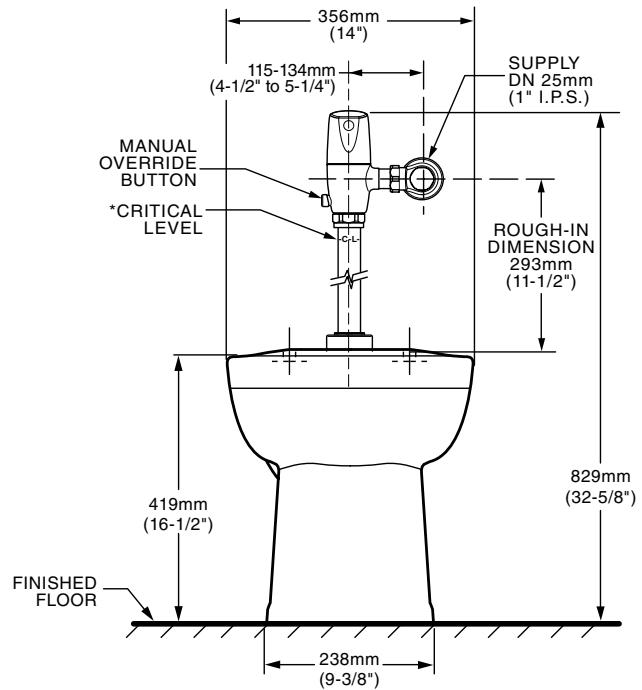
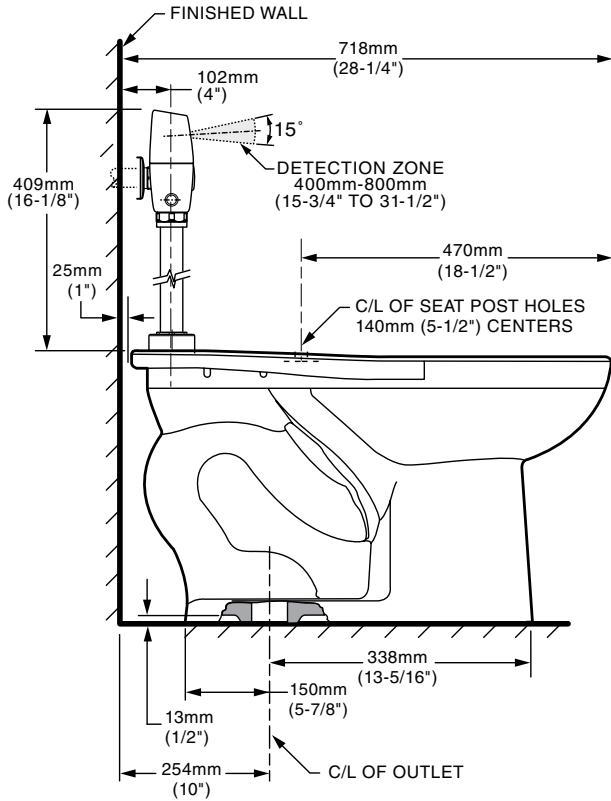
- Color:  White
- Seat:
  - American Standard #5901.100 Heavy duty open front less cover
  - American Standard #5905.100 Extra heavy duty open front less cover

**Fixture Compliance Certifications -  
Meets or Exceeds the Following Specifications:**

- ASME A112.19.2-2008 / CSA B45.1-08 for Vitreous China Fixtures

**Valve Listings:**

- ASSE 1037
- ANSI/ASME A112.19.2
- ADA Compliant



VALVE LEFT or RIGHT HAND INSTALLATION

\*Note: The Critical Line (-C-L-) on Vacuum Breaker must typically be a minimum of 6" (152mm) above fixture. Consult Codes for details.



**MEETS THE AMERICANS WITH DISABILITIES ACT GUIDELINES  
AND ANSI A117.1 REQUIREMENTS FOR ACCESSIBLE AND USABLE  
BUILDING FACILITIES - CHECK LOCAL CODES.**

**NOTES:**

TO COMPLY WITH AREA CODE GOVERNING THE HEIGHT OF VACUUM BREAKER ON THE FLUSHOMETER VALVE, THE PLUMBER MUST VERIFY DIMENSIONS SHOWN FOR SUPPLY ROUGHING.

THIS TOILET DESIGNED TO ROUGH-IN AT A MINIMUM DIMENSION OF 254MM (10") AND A MAXIMUM DIMENSION OF 305MM (12") FROM FINISHED WALL TO C/L OF OUTLET.

**IMPORTANT:** Dimensions of fixtures are nominal and may vary within the range of tolerances established by ANSI Standard A112.19.2. These measurements are subject to change or cancellation. No responsibility is assumed for use of superseded or voided pages.