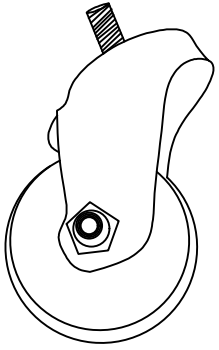
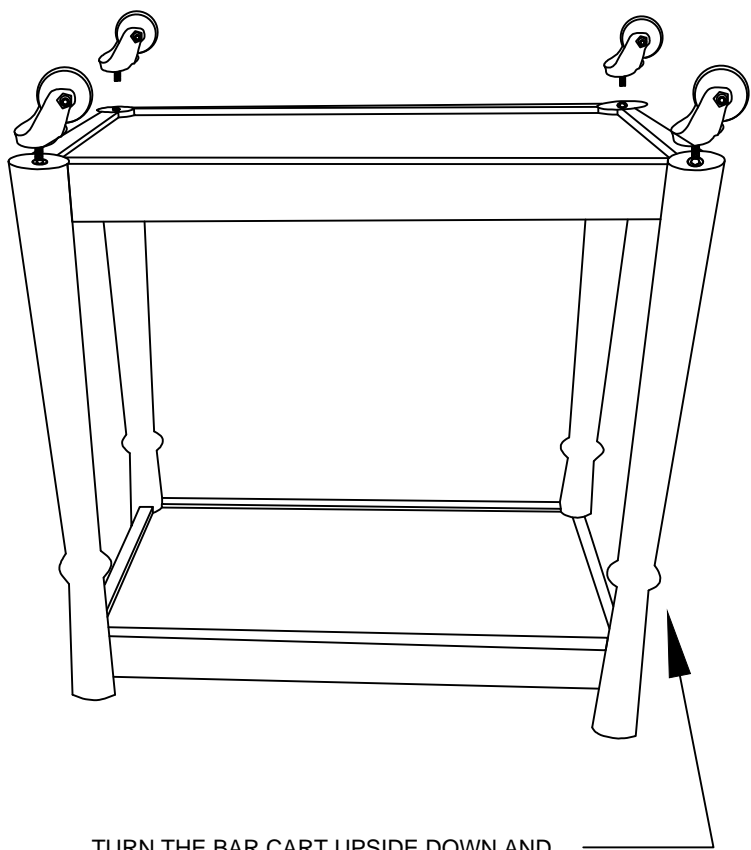
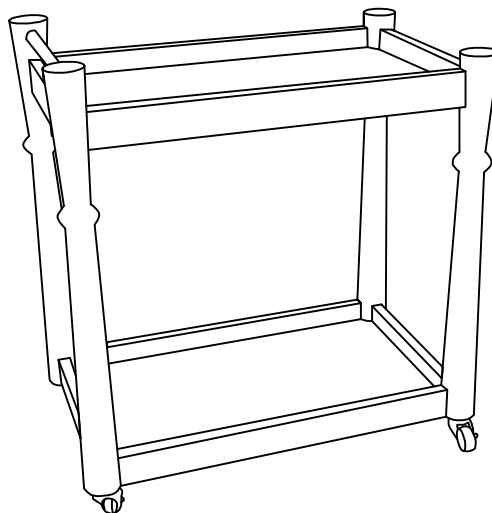
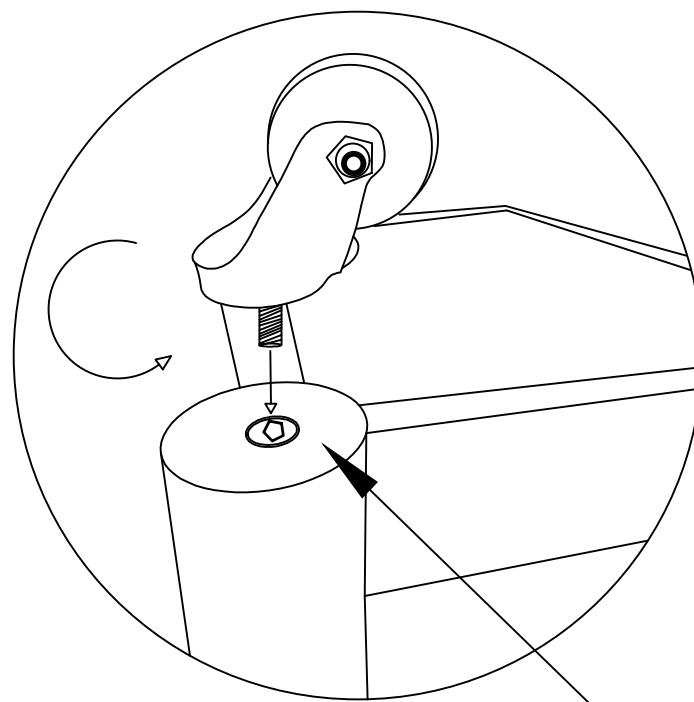


FURNISHING STYLE

S.NO	HARDWARE / COMPONENTS		QUANTITY
1.	CASTER WHEEL		4



TURN THE BAR CART UPSIDE DOWN AND  
PLACE THE CASTER WHEEL ON THE  
PRE-DRILLED D-NUTS.



ROTATE CLOCKWISE TO TIGHTEN THE CASTERS.