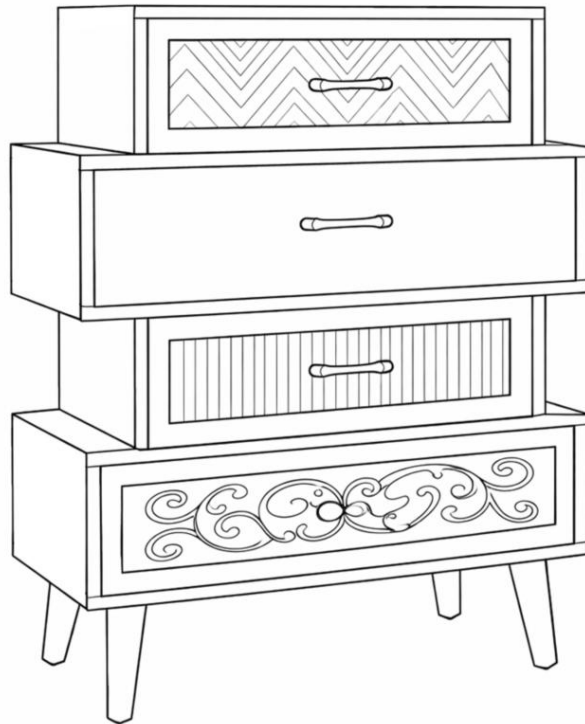


Ahokua

Assembly Instruction

Accent Cabinet





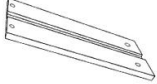


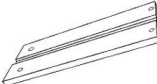


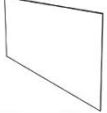


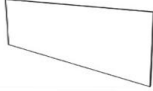










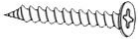

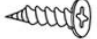



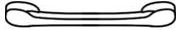


Thanks for buying this Living Room Furniture.

⚠ WARNING:

- Read all instructions carefully and completely before assembly and use.
- Retain for future reference.
- **DO NOT use power tools.**
- **DO NOT over-tighten hardware.**
- Periodically check all hardware and re-tighten as necessary.
- DO NOT sit or stand on product. Use only for intended purpose.
- DO NOT exceed 80lbs for the tabletop and 10lbs for the drawers, evenly distributed.

Parts List

Check all parts before assembly

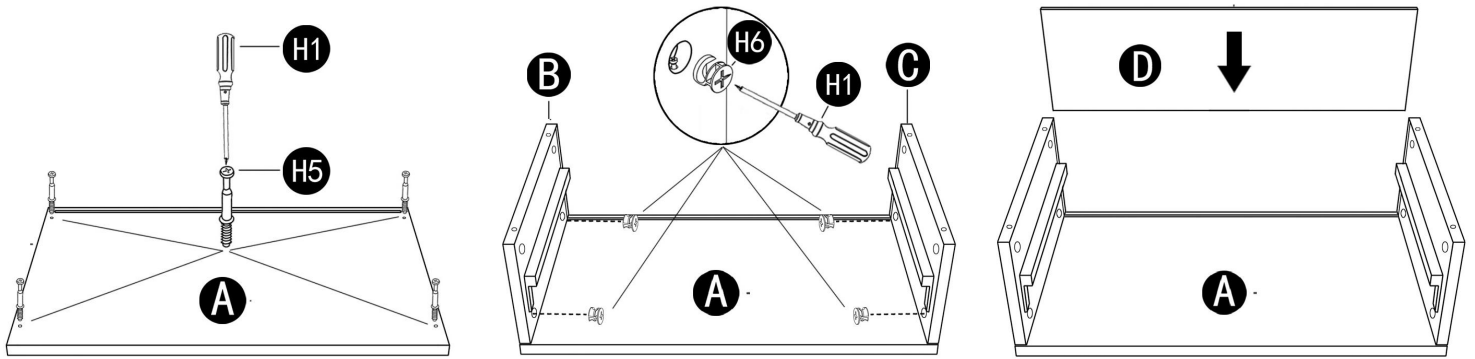
Item no.	Reference image	QTY.	Item no.	Reference image	QTY.	Item no.	Reference image	QTY.
A.		1	G.		1	M.		4
B.		4	H.		4	N.		4
C.		4	I.		1	O.		2
D.		2	J.		1	P.		2
E.		3	K.		1	Q.		2
F.		2	L.		1	R.		2
H1.		1	H6.		48+5	H11.		2+1
H2.		4+1	H7.		16+2	H12.		4+1
H3.		8+1	H8.		2	H13.		2+1
H4.		8+1	H9.		1			
H5.		48+5	H10.		2			

Step 1: Put the Top drawer frame's panel (A) on a soft surface to protect the finish.

Insert the Bolt (H5) to the pre-drilled holes on Panel (A) by Spanner (H1).

Attach the Panel (B&C) to Panel (A) with Screw (H6) by Spanner (H1).

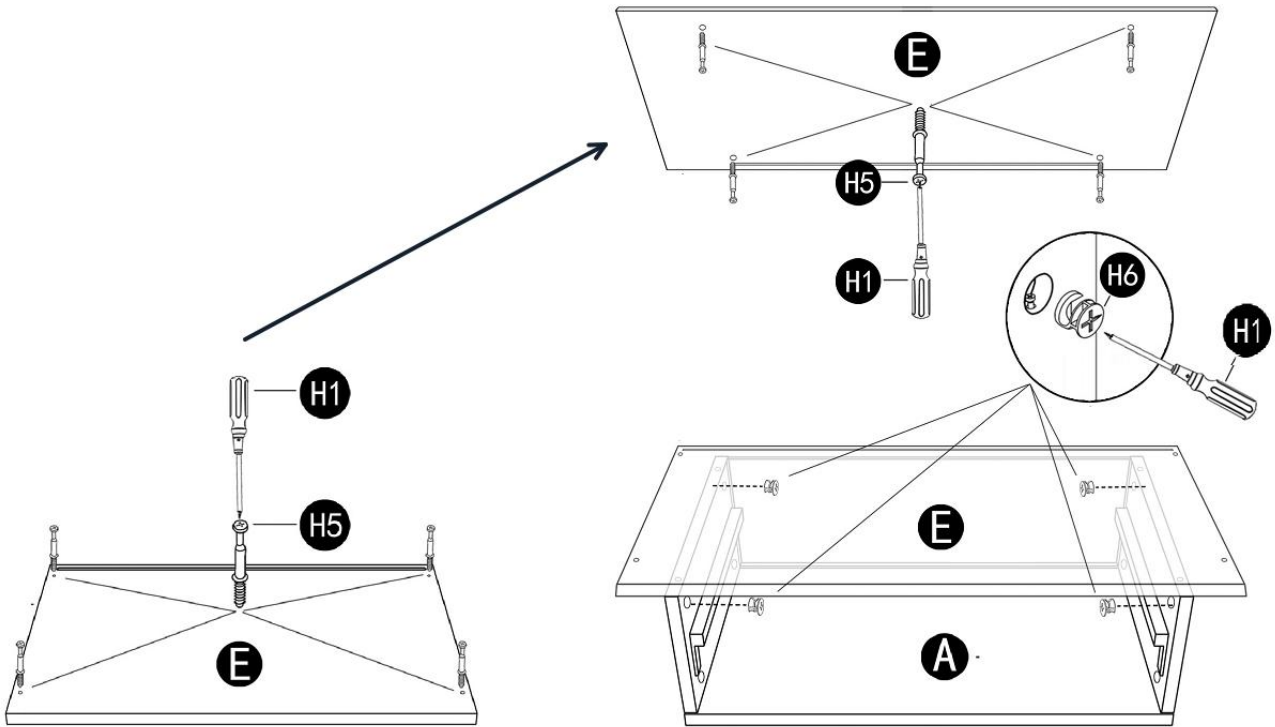
Insert the Panel (D) to Grooves on Panel (B&C). **Do not over tighten the screw on this step.**



Step 2: Put the Panel (E) on a soft surface to protect the finish.

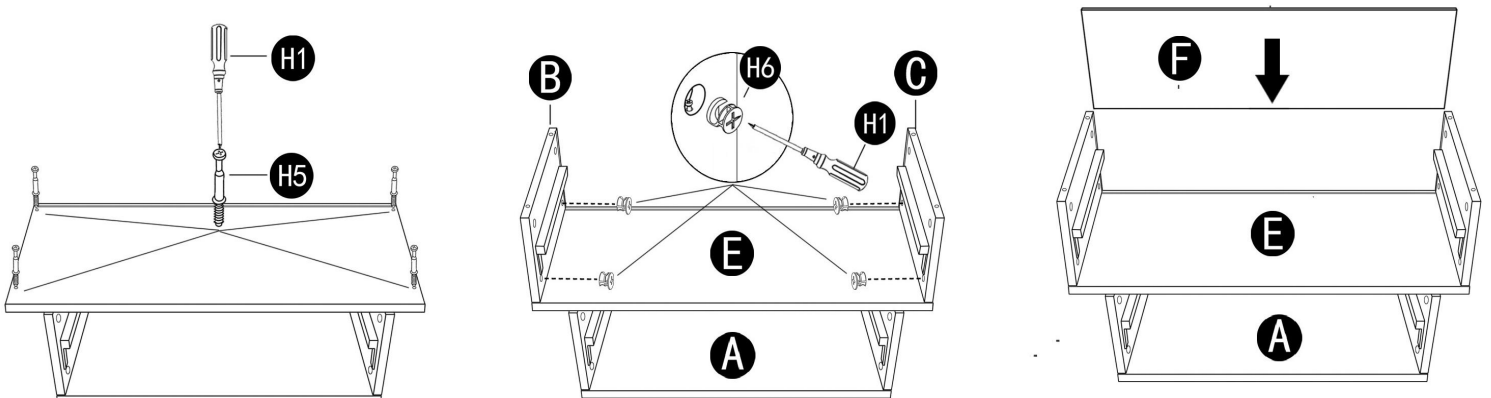
Insert the Bolt (H5) to the pre-drilled holes on Panels (E) by Spanner (H1).

Attach the Panel (E) to Panel (B&C) with Screw (H6) by Spanner (H1). **Do not over tighten the screw on this step.**



Step 3: Insert the Bolt (H5) to the pre-drilled holes on Panels (E) by Spanner (H1). Attach the Panel (B&C) to Panel (E) with Screw (H6) by Spanner (H1). Insert the Panel (F) to Grooves on Panel (B&C). **Do not over tighten the screw on this step.**

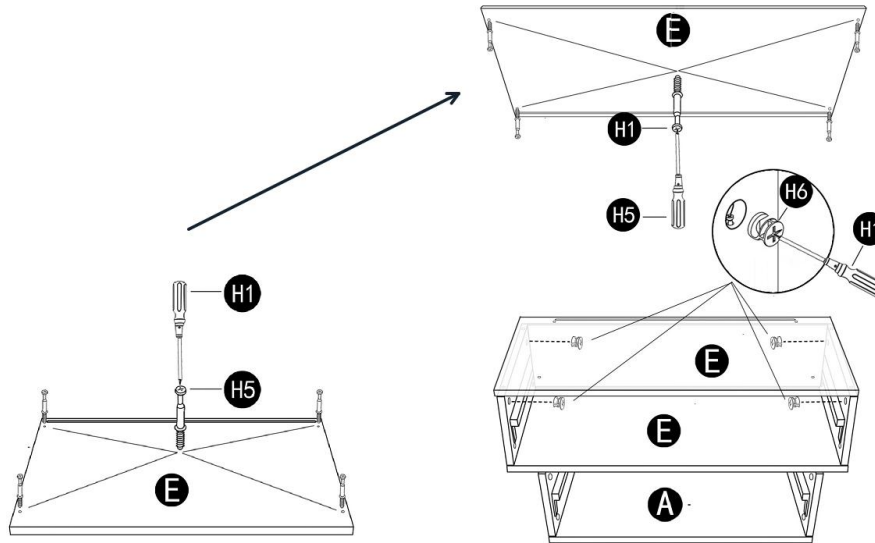
Do not over tighten the screw on this step.



Step 4: Put the Panel (E) on a soft surface to protect the finish.

Insert the Bolt (H5) to the pre-drilled holes on Panel (E) by Spanner (H1).

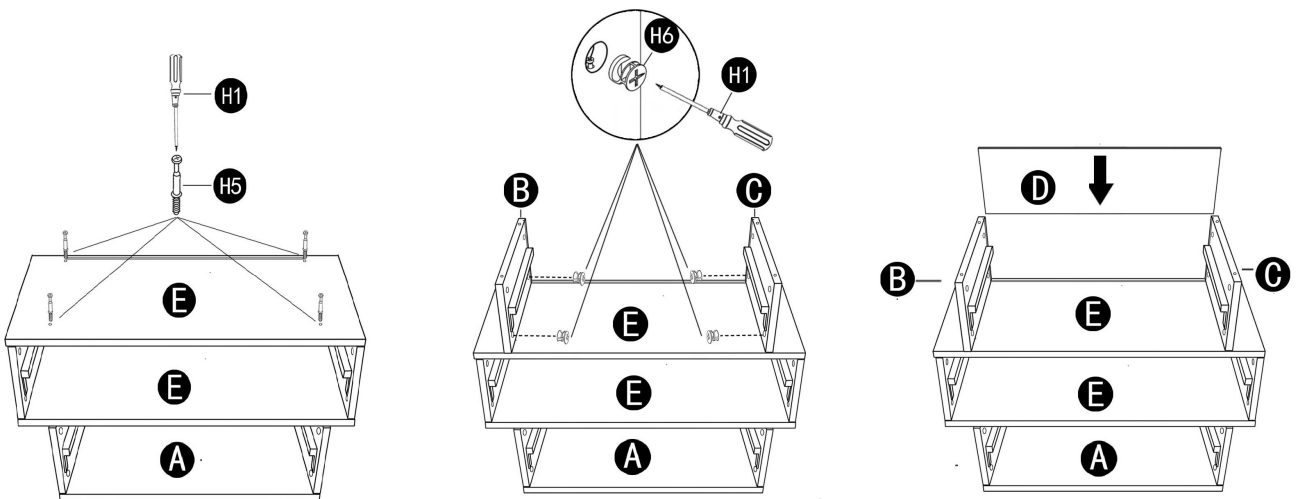
Attach the Panel (E) to Panel (B&C) with Screw (H6) by Spanner (H1). **Do not over tighten the screw on this step.**



Step 5: Insert the Bolt (H5) to the pre-drilled holes on Panel (E) by Spanner (H1).

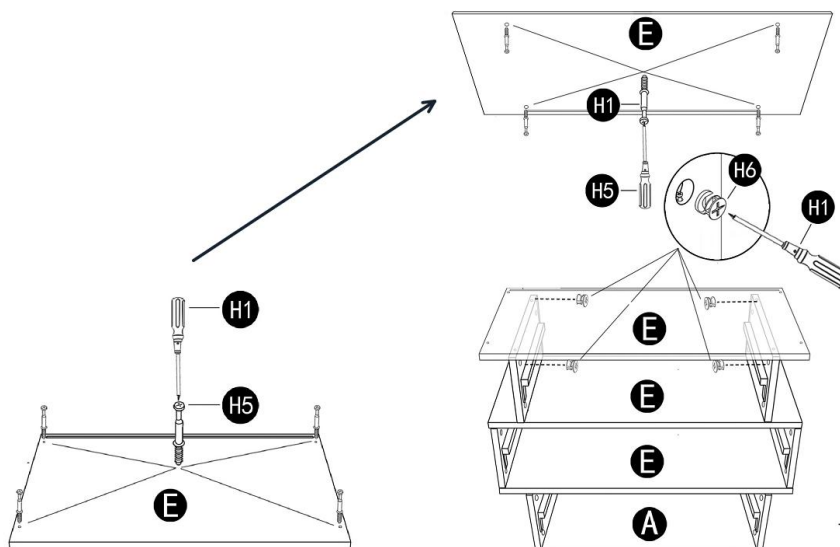
Attach the Panel (B&C) to Panel (E) with Screw (H6) by Spanner (H1).

Insert the Panel(D) to Grooves on Panel (B&C). **Do not over tighten the screw on this step.**



Step 6: Put the Panel (E) on a soft surface to protect the finish. Insert the Bolt (H5) to the pre-drilled holes on Panel (E) by Spanner (H1).

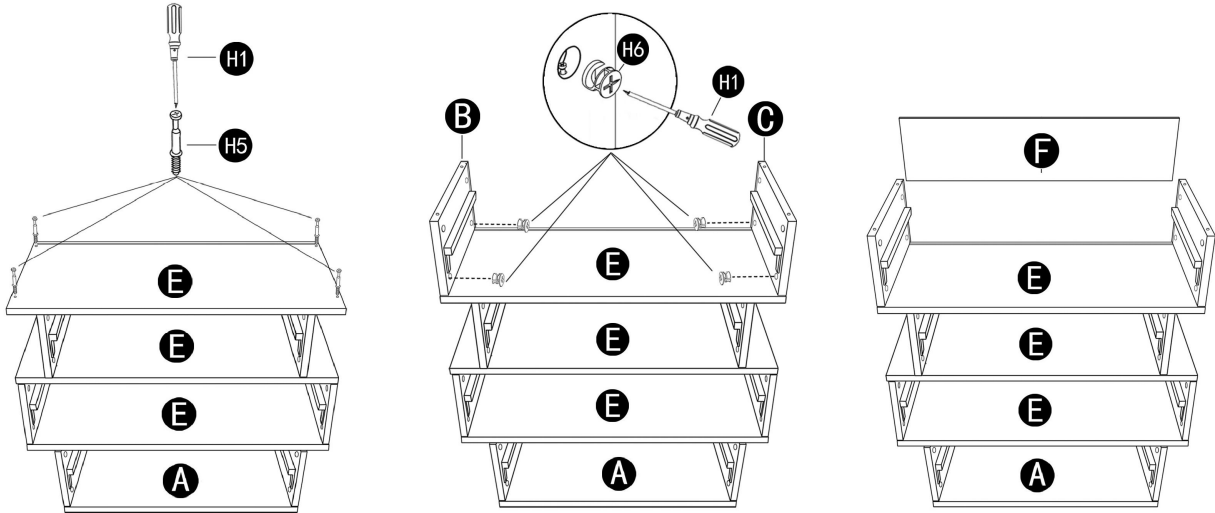
Attach the Panel (E) to Panel (B&C) with Screw (H6) by Spanner (H1). **Do not over tighten the screw on this step.**



Step 7: Insert the Bolt (H5) to the pre-drilled holes on Panel (E) by Spanner (H1).

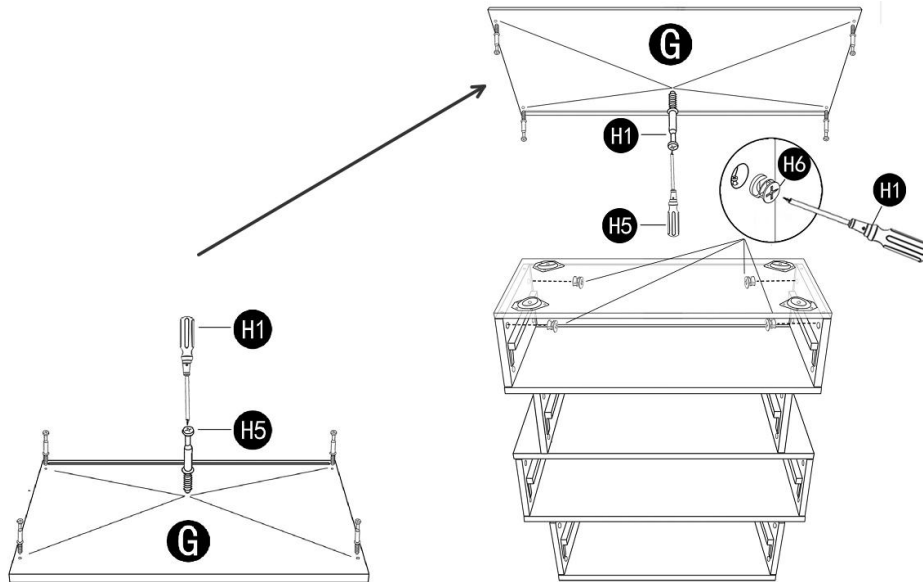
Attach the Panel (B&C) to Panel (E) with Screw (H6) by Spanner (H1).

Insert the Panel (F) to Grooves on Panel (B&C). **Do not over tighten the screw on this step.**

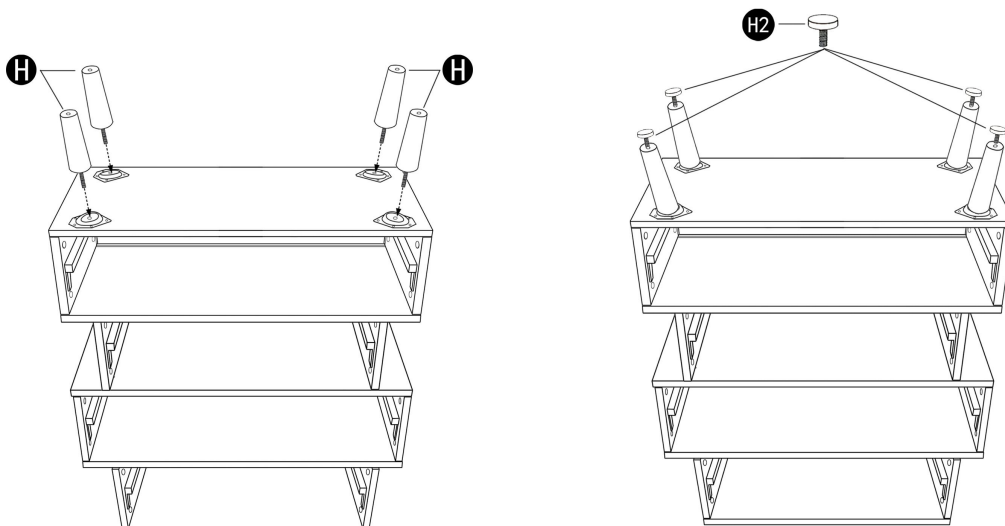


Step 8: Insert the Bolt (H5) to the pre-drilled holes on Panel (G) by Spanner (H1).

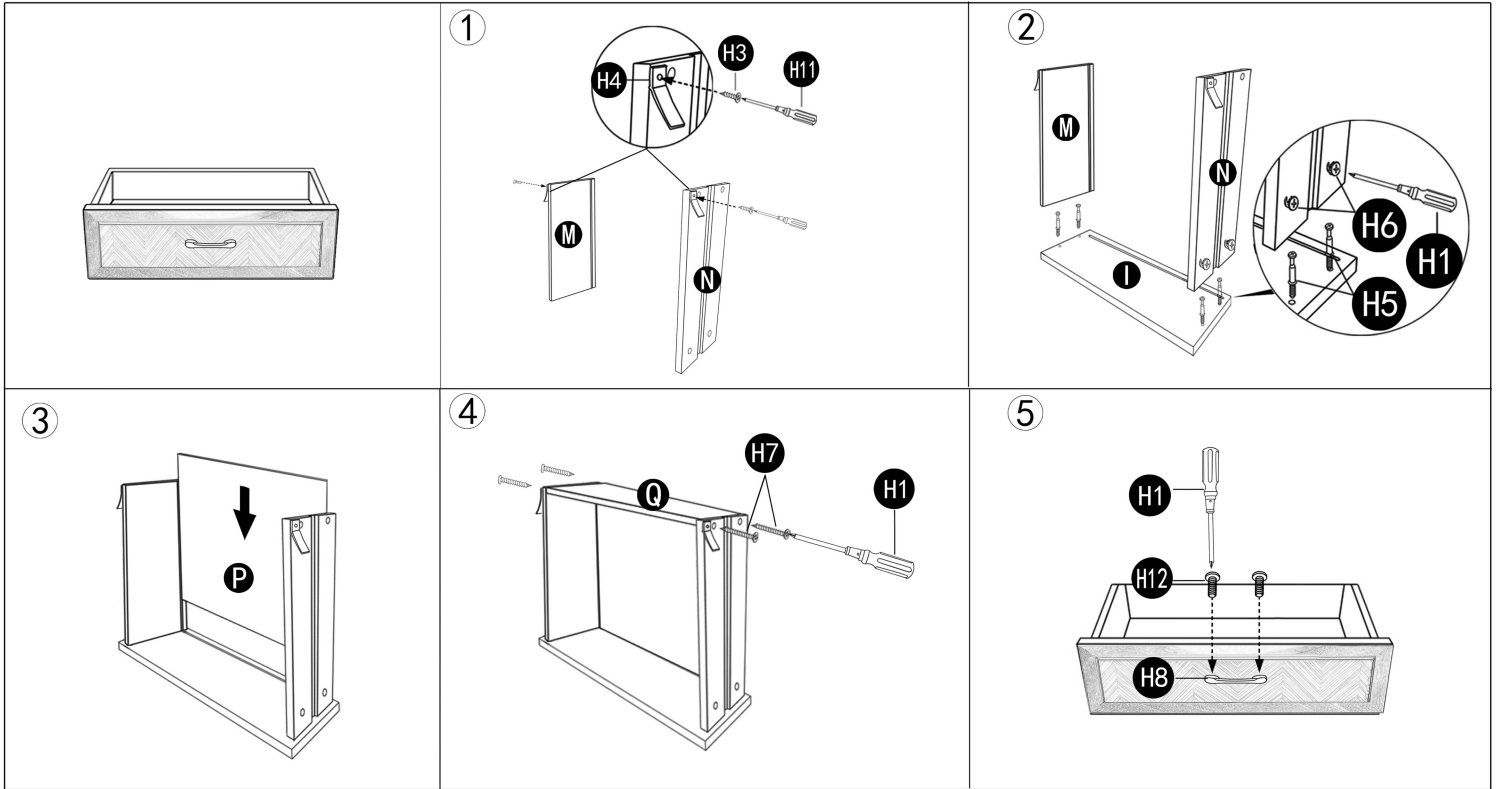
Attach the Panel (G) to Panel (B&C) with Screw (H6) by Spanner (H1). **Fully tighten all bolts from step 1 to 8.**



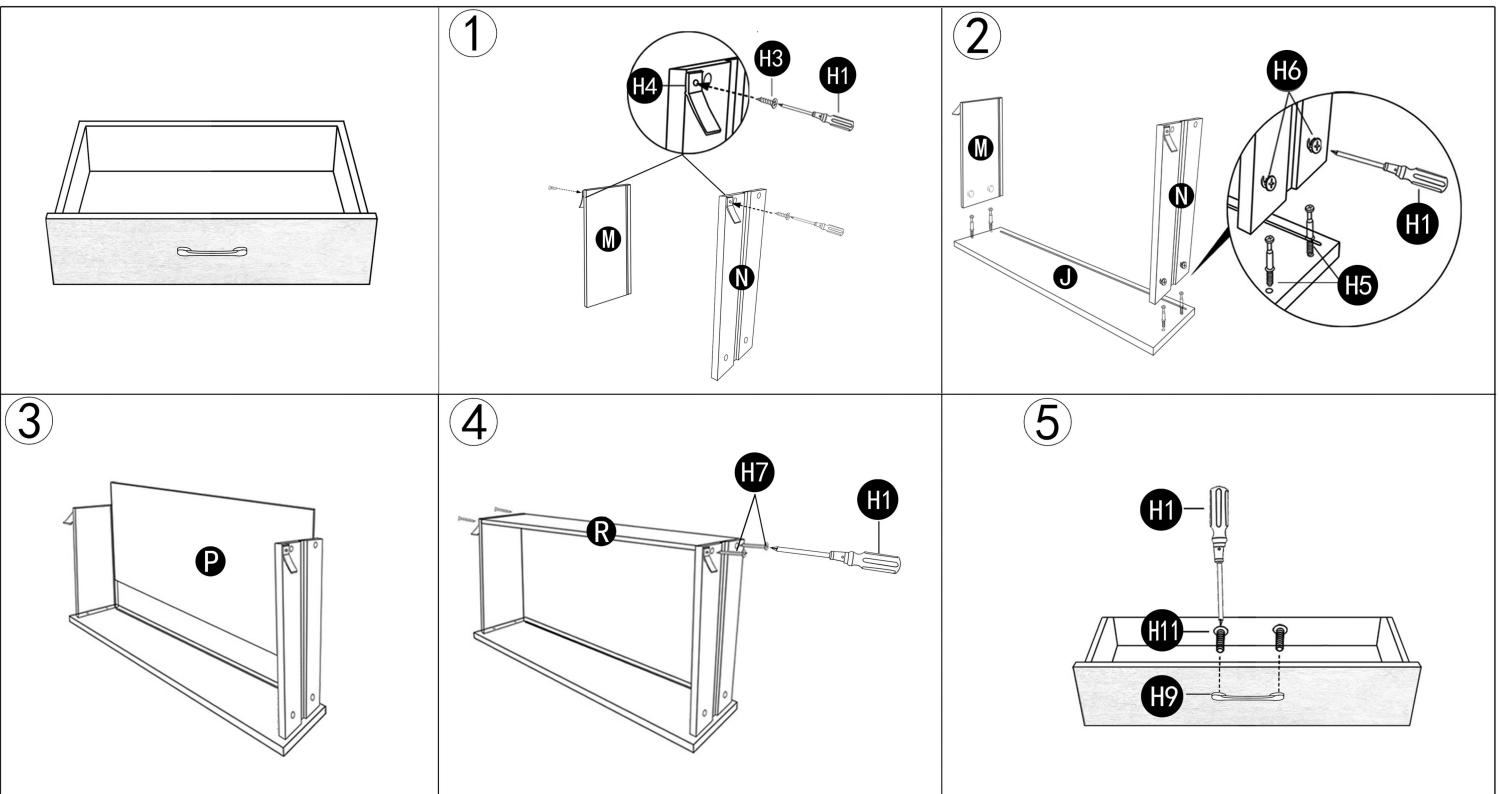
Step 6: Insert the threaded end of the Legs (H) into the body and turn it clockwise to tighten. Attach the Foot pad(H2) to the bottom of the legs as below right photo shown.



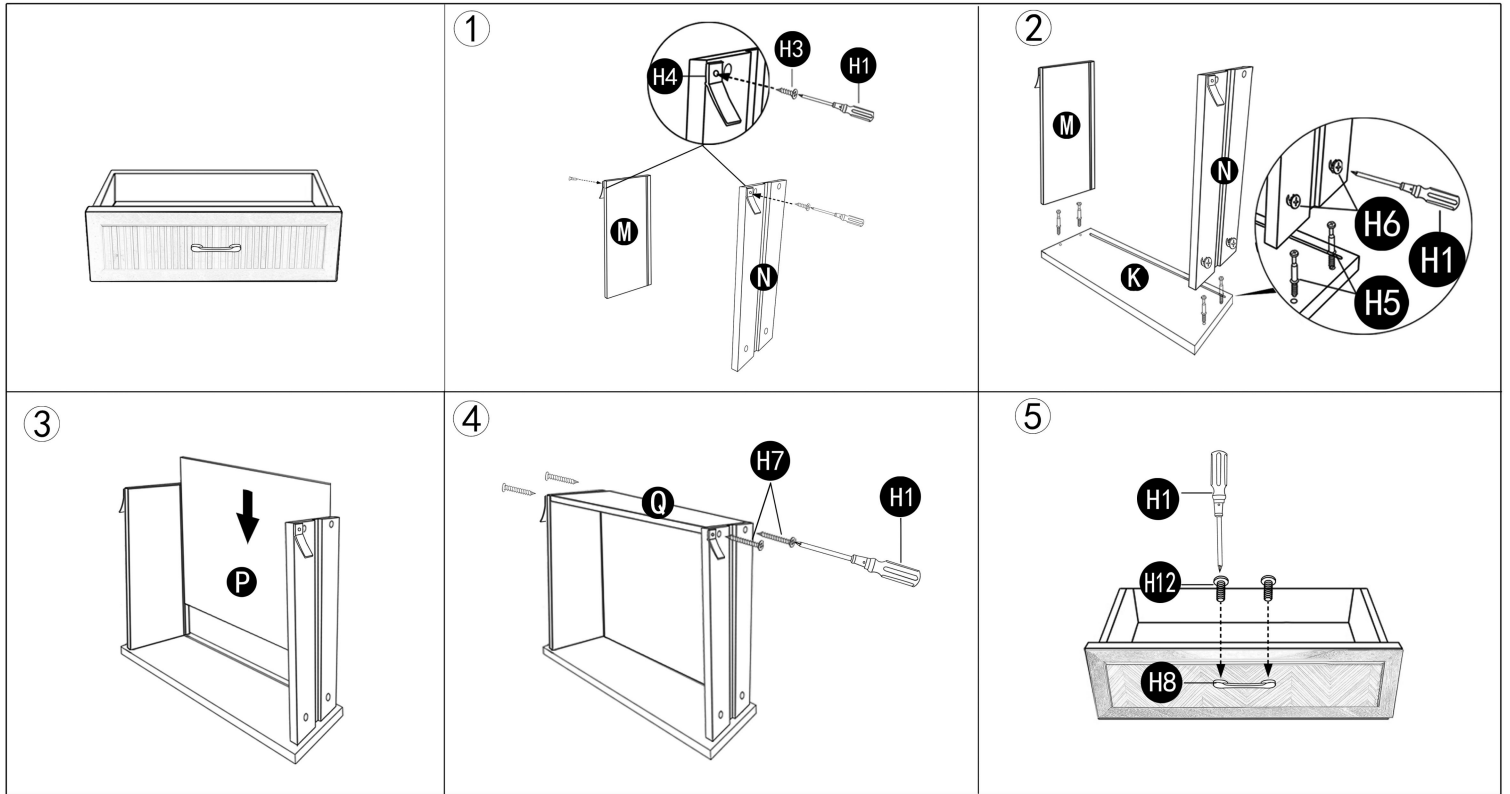
Step 7: Put the Top drawer's panel (M/N/I/Q/P) on a soft surface to protect the finish.



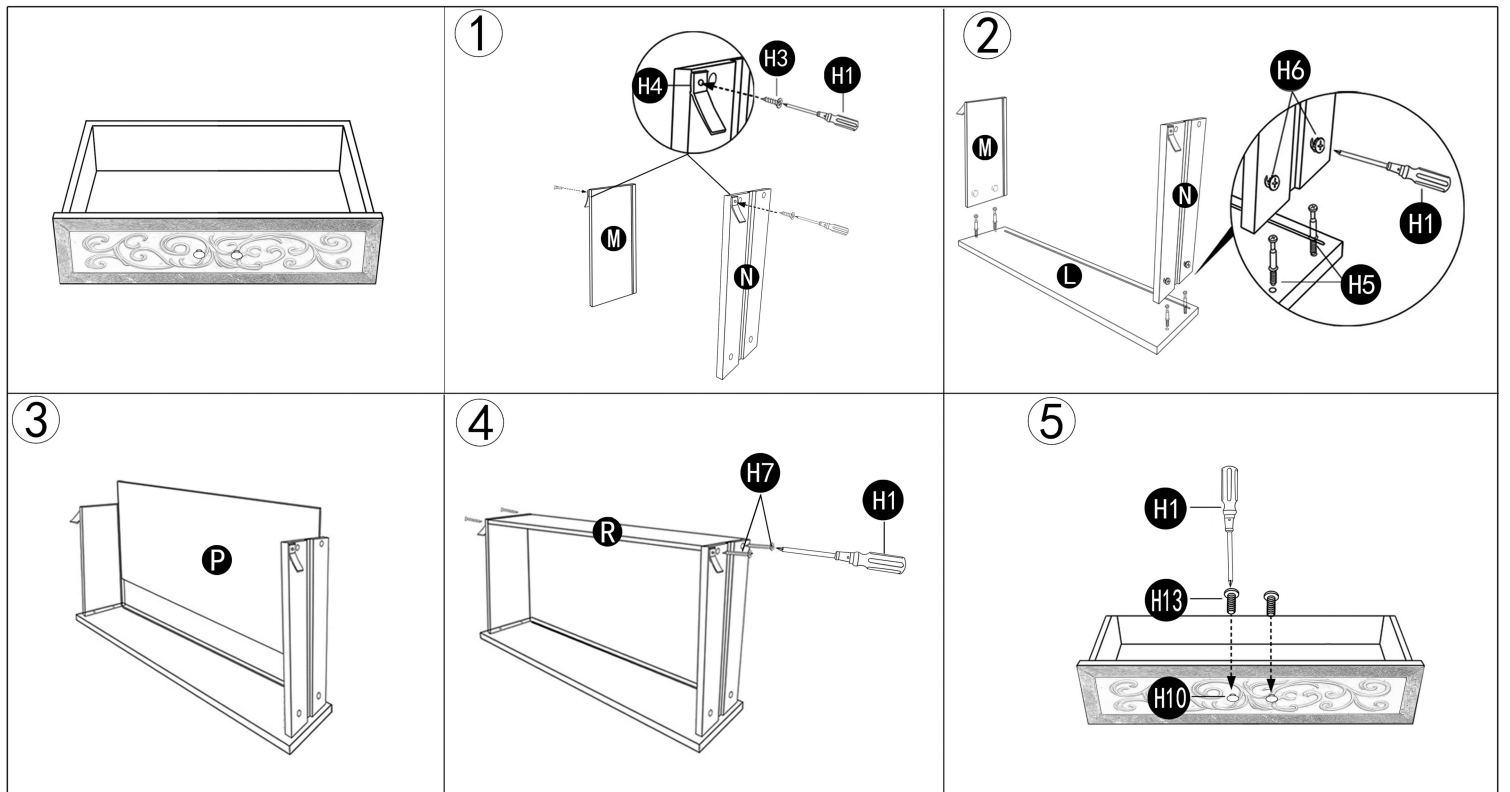
Step 8: Put the Top drawer's panel (M/N/P/J/R) on a soft surface to protect the finish.



Step 9: Put the Second drawer's panel (M/N/K/Q/P) on a soft surface to protect the finish.



Step 10: Put the Second drawer's panel (M/N/L/P/R) on a soft surface to protect the finish.



Place all drawers to the main Body.
 Assembly finished.

Notice:
 If you encounter any issues during installation or use, please email us at support@mi-din.com, including your order ID and a detailed description of the problem. If possible, please provide relevant images to expedite assistance. We will strive to resolve any issues promptly.