








KEEP INSTRUCTIONS
FOR FUTURE USE

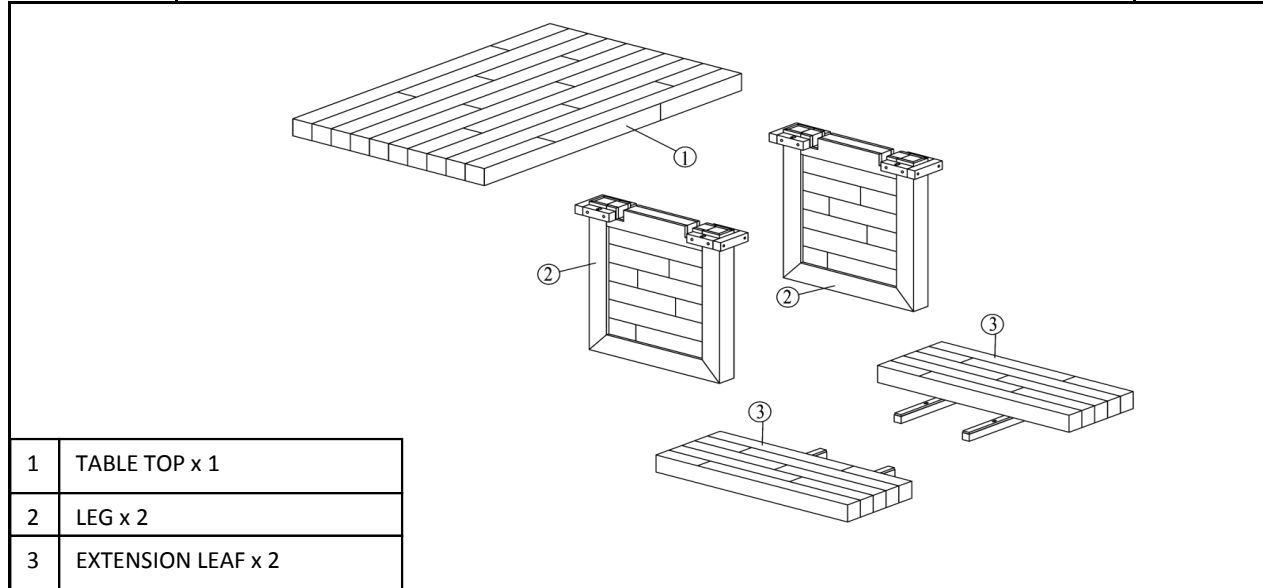
Assembly Instructions

ASSEMBLY REQUIRES
TWO PEOPLE



Hardware and Tools		
A	OPEN WRENCH K17	
	Qty: 01	
B	BOLT 0.39" x 3.15" Ø 10mm x 80mm	
	Qty: 08	
C	WASHER 0.39" x 0.91" x 0.08" Ø 10mm x 23mm x 2mm	
	Qty: 08	
D	BOLT 0.31" x 2.56" Ø 8mm x 65mm	
	Qty: 04	
E	WASHER 0.31" x 0.75" x 0.08" Ø 8mm x 19mm x 2mm	
	Qty: 04	

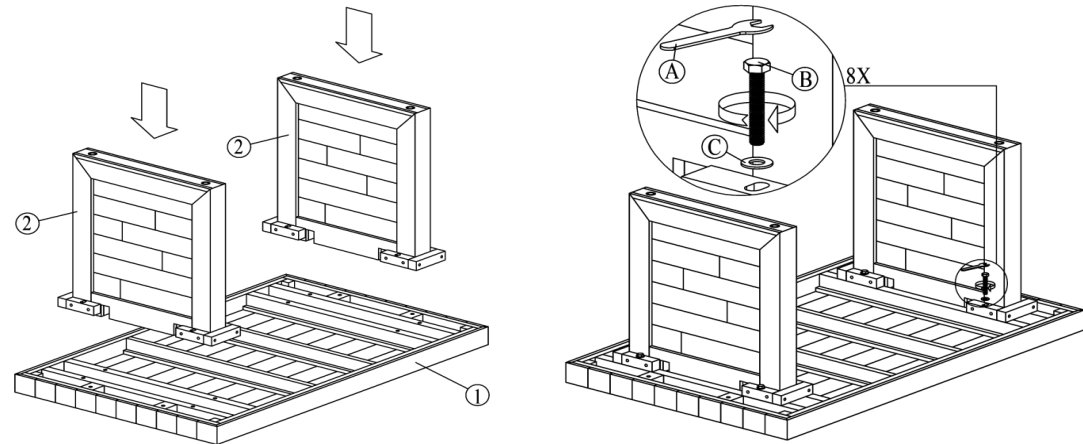
Components:



Before Starting:

1. Choose a clean, level, spacious assembly area. Avoid hard surfaces that may damage the product.
2. Always read the instructions carefully before beginning assembly to ensure that you have all required contents.
3. To prevent choking hazards, keep the packaging material out of reach of small children
4. Do not over tighten the bolts as this may damage the thread.
5. Use only vendor supplied hardware to assemble. Using unauthorized hardware could jeopardize the structural integrity of the item.
6. The use of power tools to aid in assembly is not recommended. Power tools can damage hardware and split wood.

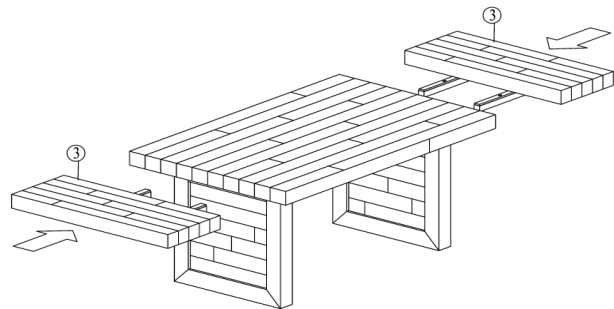
Step 1:



- Assemble the legs (2) into the table top (1) as picture.
- Tighten all Bolts (B) and Washers (C) by using Open Wrench (A).

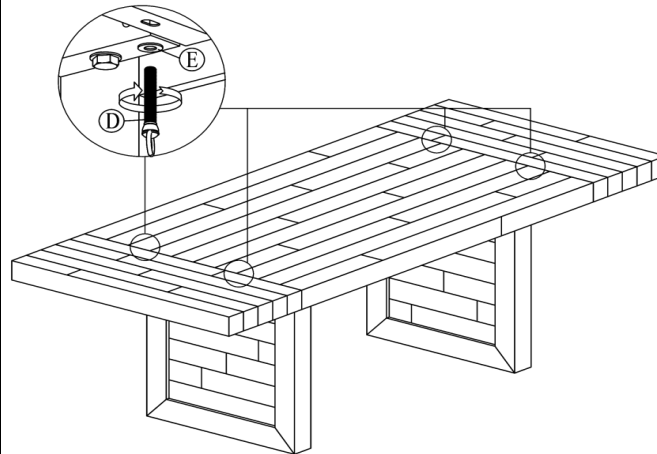
Assembly Instructions Continued

Step 2:



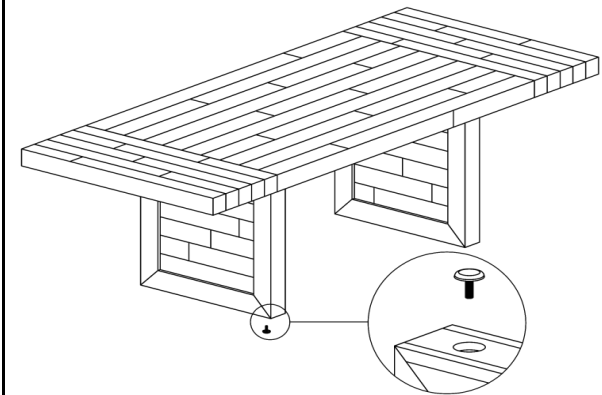
- With two people carefully turn table over.
- Assemble left and right leaf into the table as picture.

Step 3:



- Lift the leaf up one at a time and hold it before tightening the bolt with adjustable eye bolt.
- Tighten Bolts (D) and Washers (E) by hand (do not use power tools).

Step 4:



- If the table doesn't sit level, please adjust the adjustable feet under the legs.