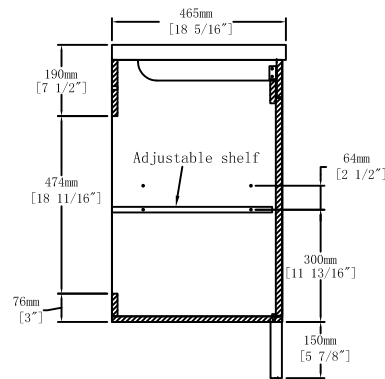
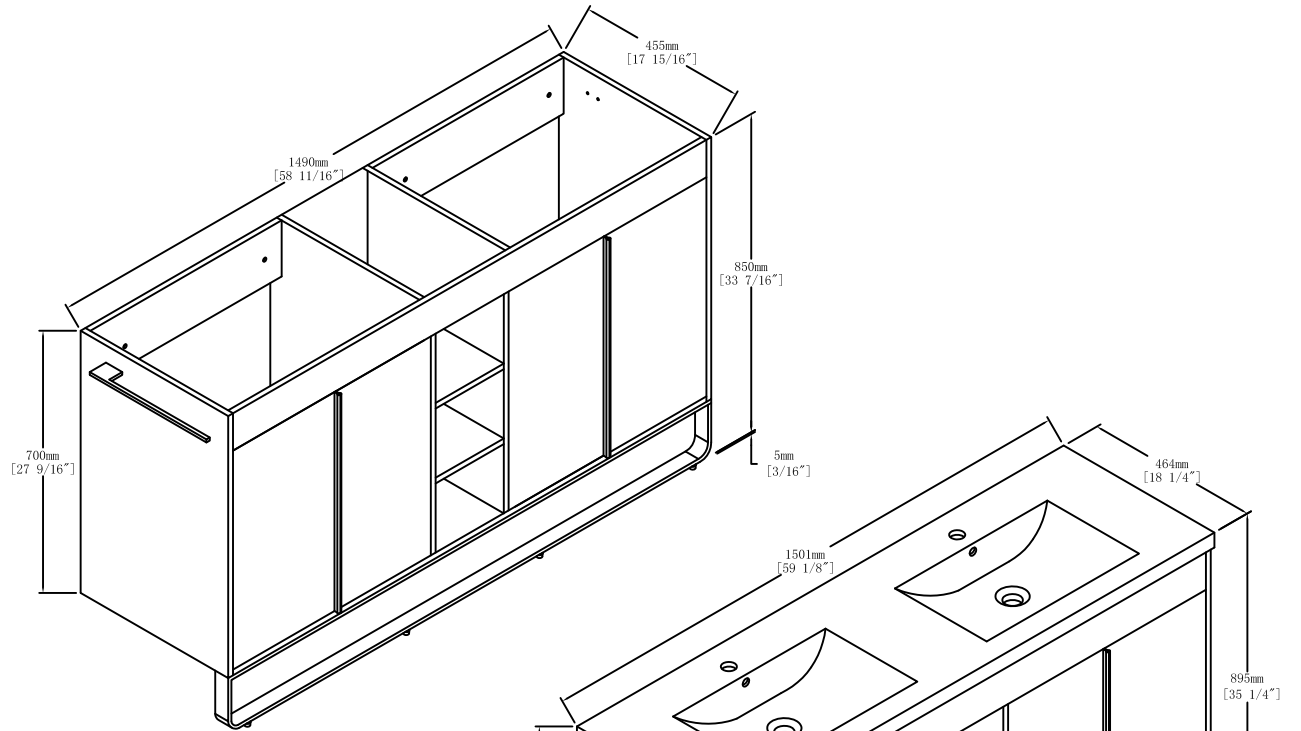
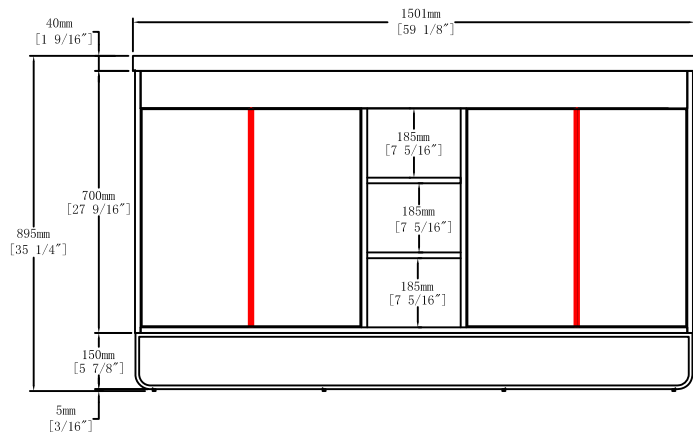
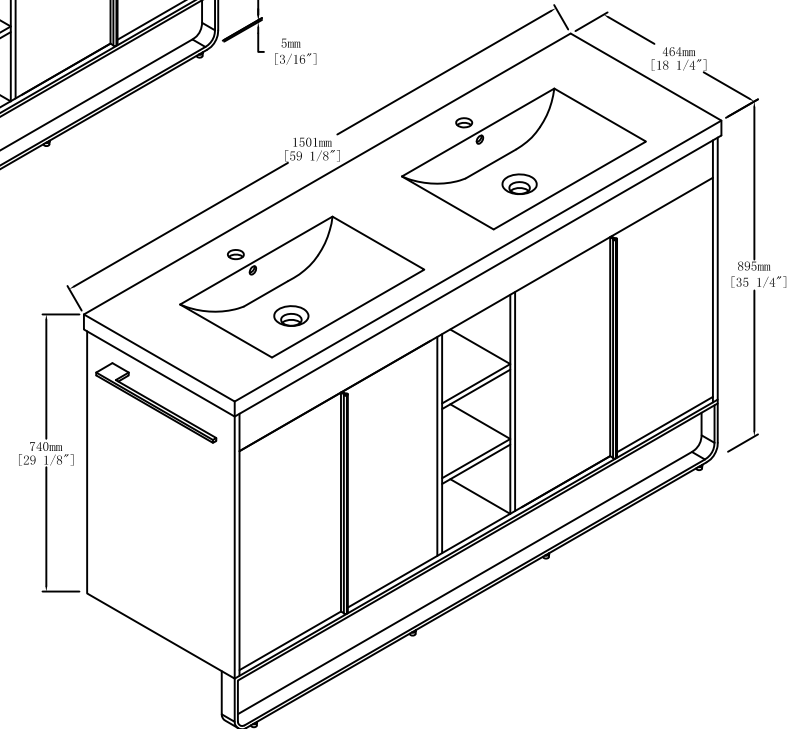


Top View



Side View



Item NO.

BV B12960D

Version

V1

Project

Date

2025-7-19