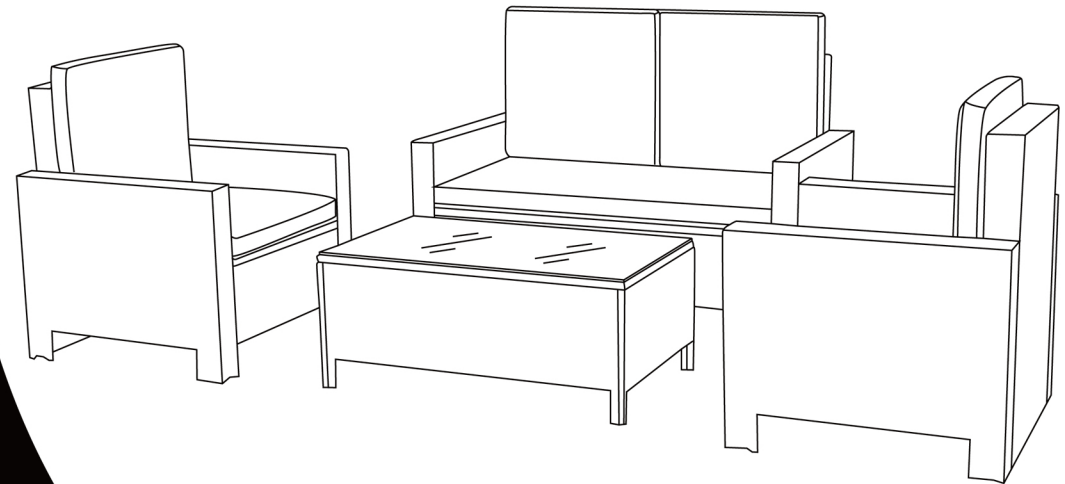


■ INSTRUCTION

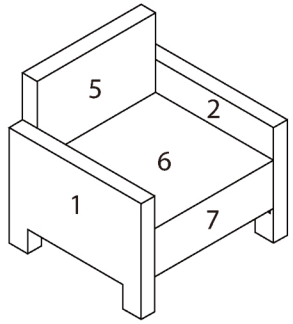
■ 4-Piece

Rattan Patio Furniture Set

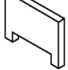
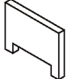
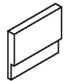






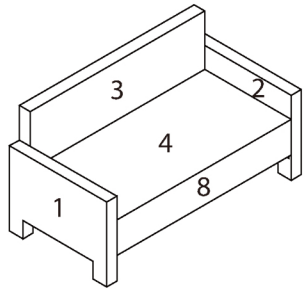
Parts ■ Dear Customers

Check and make sure you get the components on the list, contact us for any missing

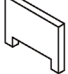
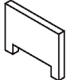
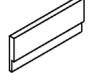






■ 2-Single Rattan Chair

- 1. Right Rattan Sofa Arm Rest  2 pcs
- 2. Left Rattan Sofa Arm Rest  2 pcs
- 5. Single Rattan Sofa Backrest  2 pcs
- 6. Single Rattan Sofa Seat Cushion  2 pcs
- 7. Single Rattan Sofa Front Bezel  2 pcs
- M6 Screw  M6X35
28 pcs
- Washer  28 pcs



■ 1-Double Rattan Chair

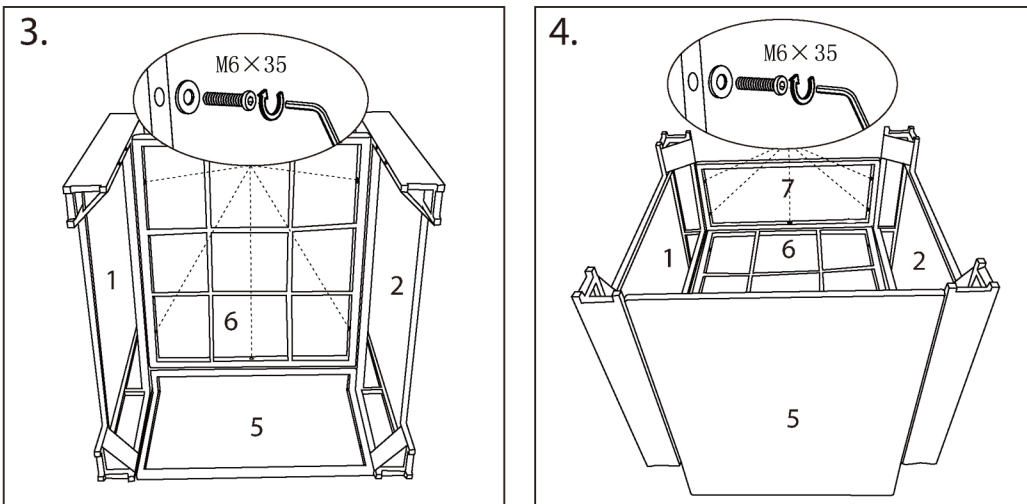
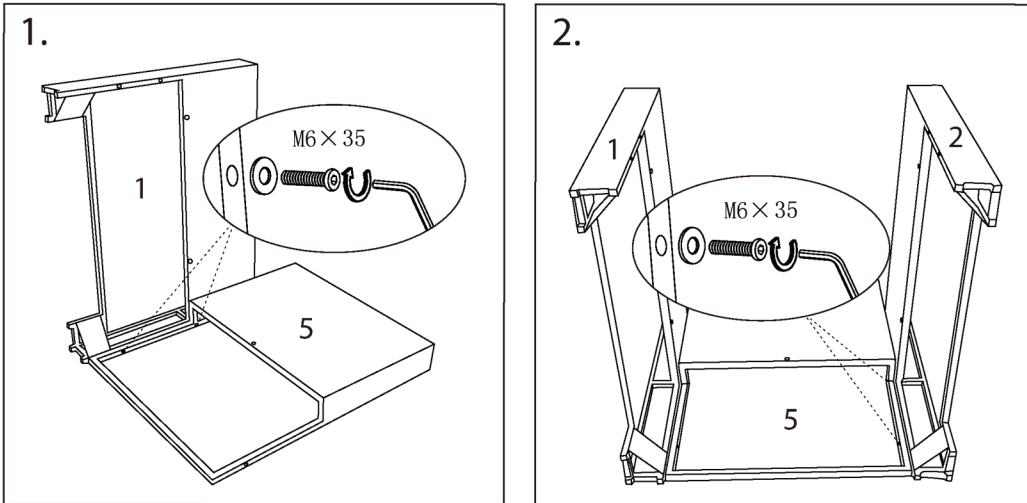
- 1. Right Rattan Sofa Arm Rest  1 pcs
- 2. Left Rattan Sofa Arm Rest  1 pcs
- 3. Double Rattan Sofa Backrest  1 pcs
- 4. Double Rattan Sofa Seat Cushion  1 pcs
- 8. Double Rattan Sofa Front Bezel  1 pcs
- M6 Screw  M6X35
16 pcs
- Washer  16 pcs

Installation step ■ Installation step

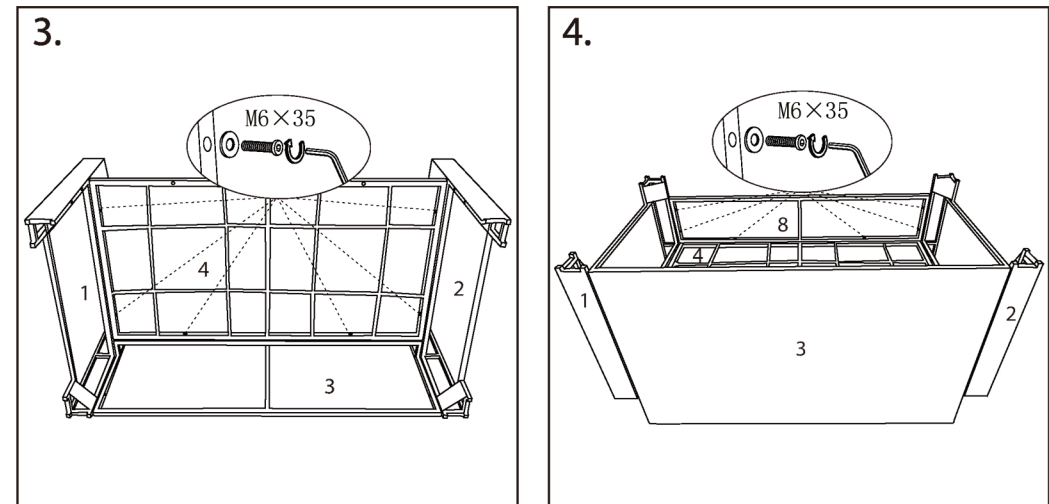
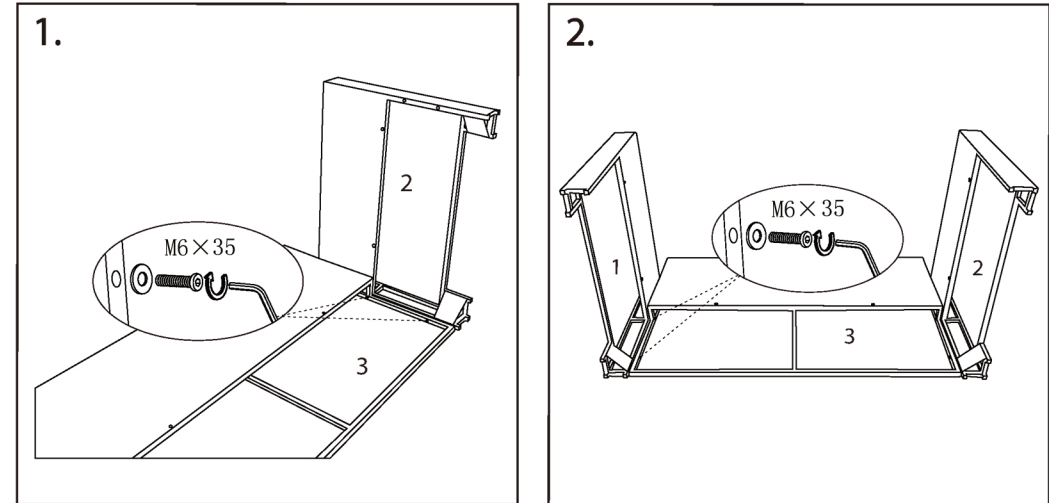
For successful installation, When installing, please do not tighten the screws once, when the screws are all installed, a unified tighten all the screws

For successful installation, When installing, please do not tighten the screws once, when the screws are all installed, a unified tighten all the screws

■ Single Rattan Chair Installation step



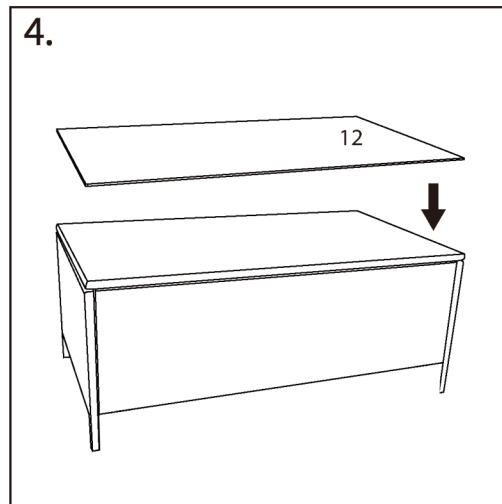
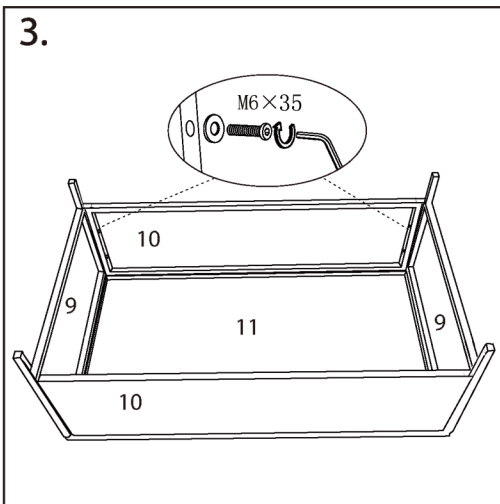
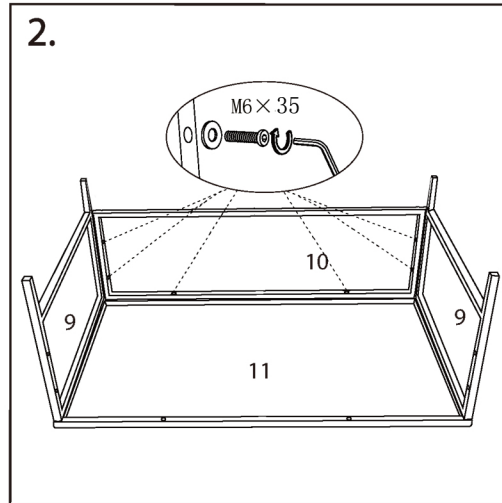
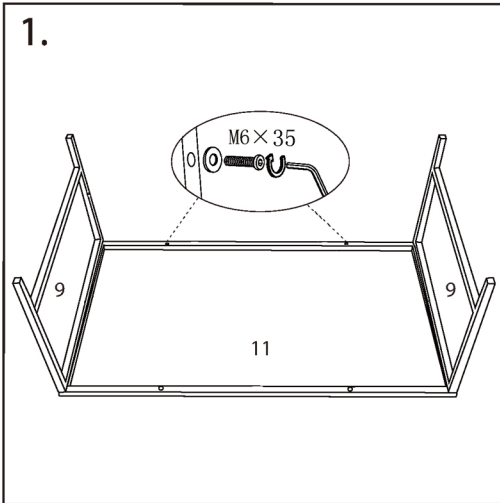
■ Double Rattan Chair Installation step



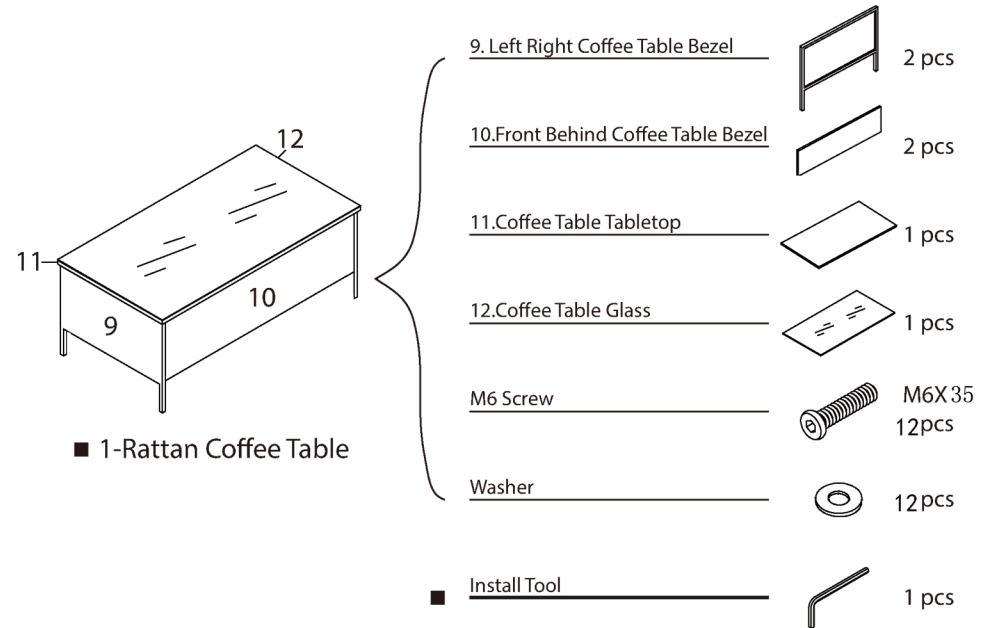
Installation step ■ Parts

For successful installation, When installing, please do not tighten the screws once, when the screws are all installed, a unified tighten all the screws

■ Rattan Coffee Table Installation step



Check and make sure you get the components on the list, contact us for any missing



Notice:

1. Please take out the sponge from the cushions before the washing
2. Please don't use the washing machine or brush, it will tear the fabric. Please do manual cleaning



For successful installation, When installing, please do not tighten the screws once, when the screws are all installed, a unified tighten all the screws