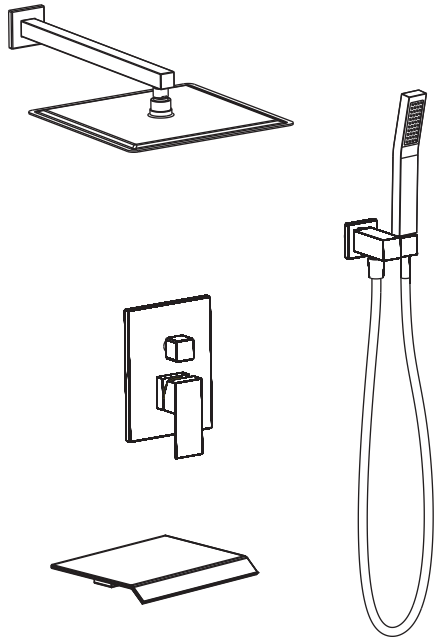


Shower System Installation Manual



1. New installations

NOTE!!!

1. Supply lines should be purged to clean impurities before connecting the unit.
2. The hot water supply should be connected to the left and the cold water supply to the right, when viewed from the operating position. If this is not taken into account can cause permanent damage to the cartridge.
3. Screw connections and test for leaks.
4. Using a spirit level on the cams, the mixer align horizontally, vertically and parallel to the wall.
5. Warm reminder:
In the cold areas or the indoor temperature is less than 4 °C in Winter, if no using the faucets for a long time, please turn off the inlet water valve and drain the remaining water inside the supply pipe, which can avoid the faucet damage caused by the expansion of the frozen water.

2. Installation Preparation

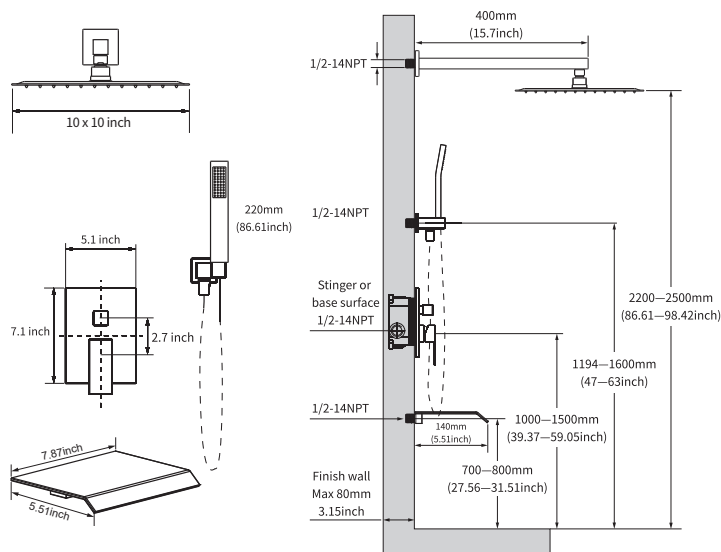
1. Read the instructions carefully before installing.
2. The installation must be performed by a qualified person.
3. Installation tools:



3. Accessory list

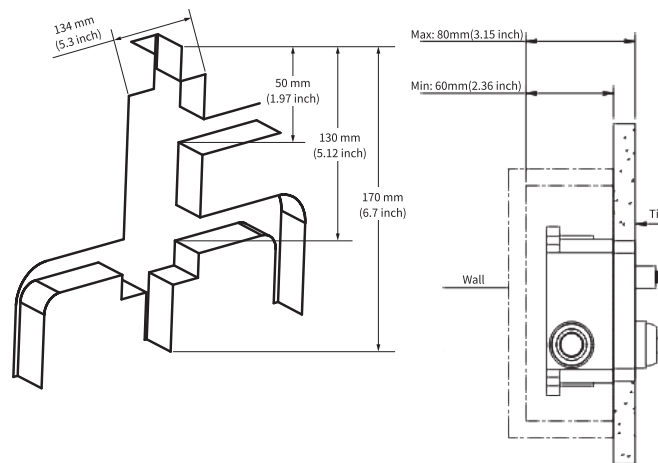
No.	Description	Qty.	No.	Description	Qty.
1	Rough in valve	1	8	Shower head	1
2	Cover board	1	9	Shower arm	1
3	Diverter handle	1	10	Decoration cover	1
4	hot / cold handle	1	11	Allen-key	1
5	Bracket	1	12	Nails bag	1
6	Shower tube	1	13	Water fall bathtub spout	1
7	Handheld shower	1			

4. Dimensional drawing



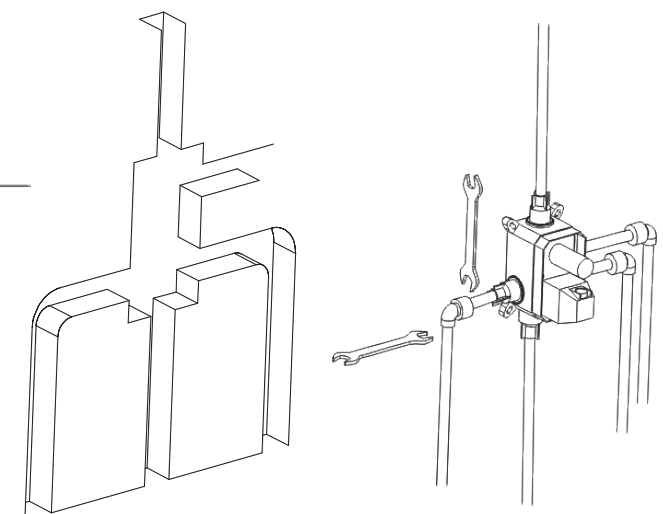
5. Chiseling wall diagram

1. The size of the embedded box that needs to be drilled is 5.3" , 6.7" .
2. The depth of the embedded box is 2.36" - 3.15" .
It's better to drill the depth of 2.36" for blank wall .



6. Pipe connection

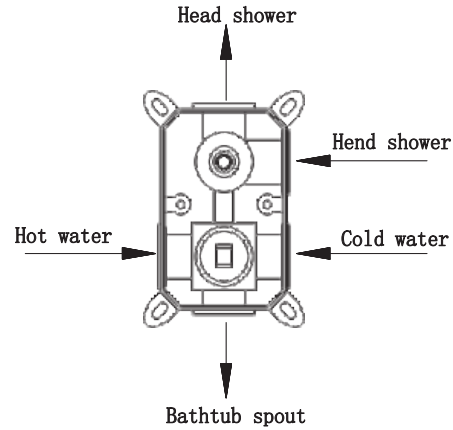
1. Please drill the holes on the wall for the main body embedded part, hot and cold water inlet pipes as well as shower arm connection pipes according to the basic product dimension drawing as below.
2. Please make hot and cold water inlet pipe, the mixed water outlet pipe connect with control valve, and tightened with the wrench.



7. Water testing and sealing testing

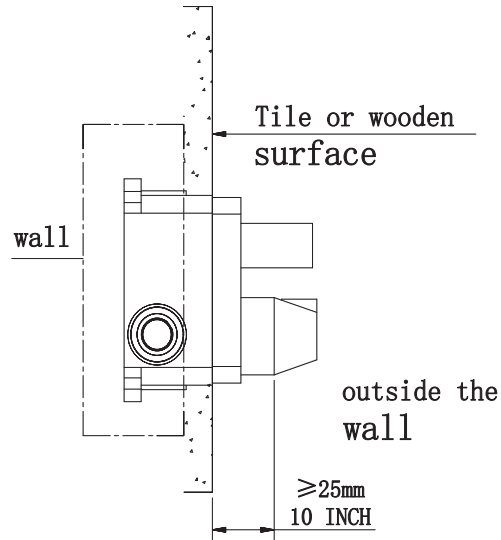
1. After the pipe connection is completed, open the protective panel and cover, and open the cartridge, flush the pipelines. Then close the cartridge to check the pressure resistance and sealing performance of the pipeline, make sure there are no leakage.
2. Block each outlet pipe with a stopper then open the cartridge to check if the pipe joint is well-sealed and the pipe condition under pressure to ensure no leakage.

Testing Purpose: Flush the impurities and sludge in the pipeline to avoid clogging and affect the effluent functions.

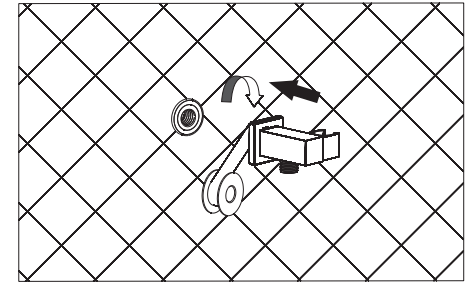
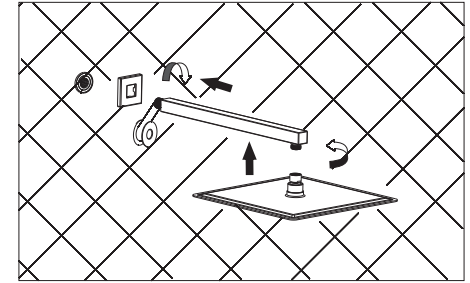


8. The procedure of sealing the wall

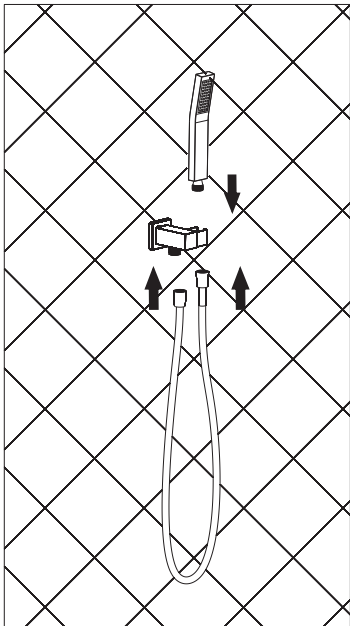
Use a parallel ruler to measure the flatness of the embedded box casing and the vertical wall surface. If the wall surface is not flat, it should be patched to ensure the embedded box casing and vertical wall angle meets nearly ideal angle of 90, then lay the tile decoration.



9. Shower sets installation

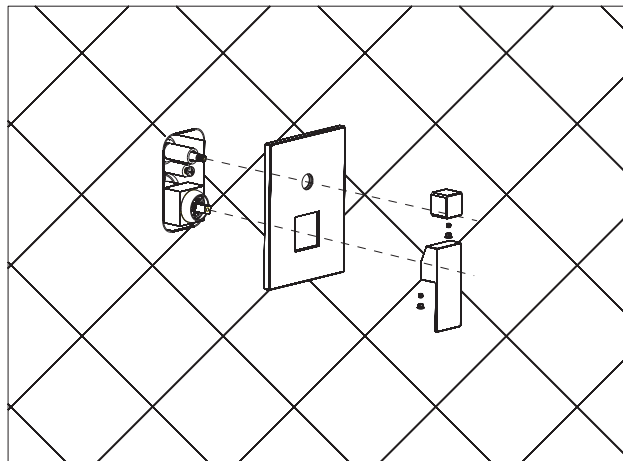


10. Handheld shower installation



11. Installation of Rough-in valve

1. Take off the protective panel and cover.
2. The decorative panel and the handle are connected to the control valve as shown below sequence.



12. Cleaning & Maintenance

In order to keep clean, shiny and good function of faucet, please do it as below:

1. Clean it with clear water and soft cotton cloth.
2. Use mild liquid, colorless glass cleaner or non abrasive polisher to clean the surface dirt.
3. DO NOT use abrasive cleaner, polisher, gauze, tissue or knife, etc.
4. DO NOT use acid cleaner, insoluble granular cleaner, soap, etc.
5. Flow rate may become slow or small, as the aerator becomes dirty after long-time usage, please open the aerator by handle or a tool, clean it, the flow rate will become normal again after you assemble it back to the faucet.

13. Important notice

1. Users under age 14 must be accompanied by an adult otherwise young users may be scalded by hot water.
2. All users need to be careful when you turn cold water to hot water.