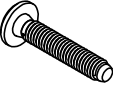





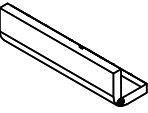
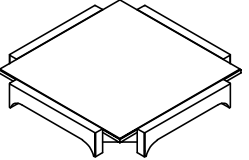
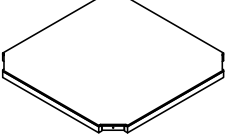
# ASSEMBLY INSTRUCTIONS

3600002


## HARDWARE

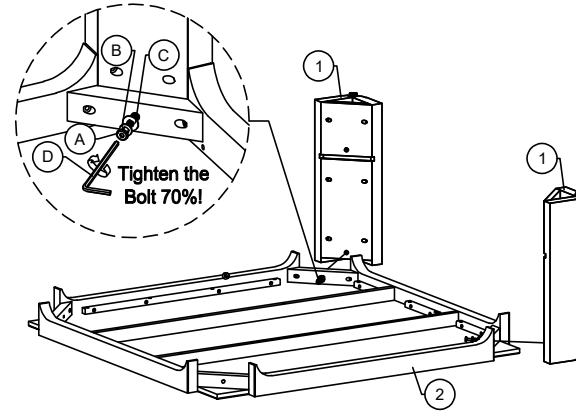
A x 8	B x 8	C x 8	D x 1
			
M8 X 50 mm	Ø13 X 1.5 mm	Ø18 X 1 mm	

## PARTS

1 x 4	2 x 1	3 x 1
		

(1)

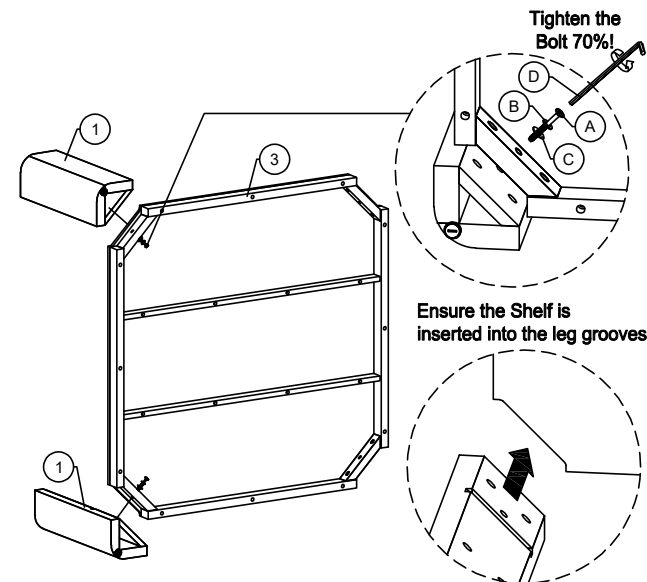
 **CAUTION** : Due to the weight of this item, two people are recommended for safe lifting and assembly.



Assemble on a clean non-marring surface (such as the product's packing foam)

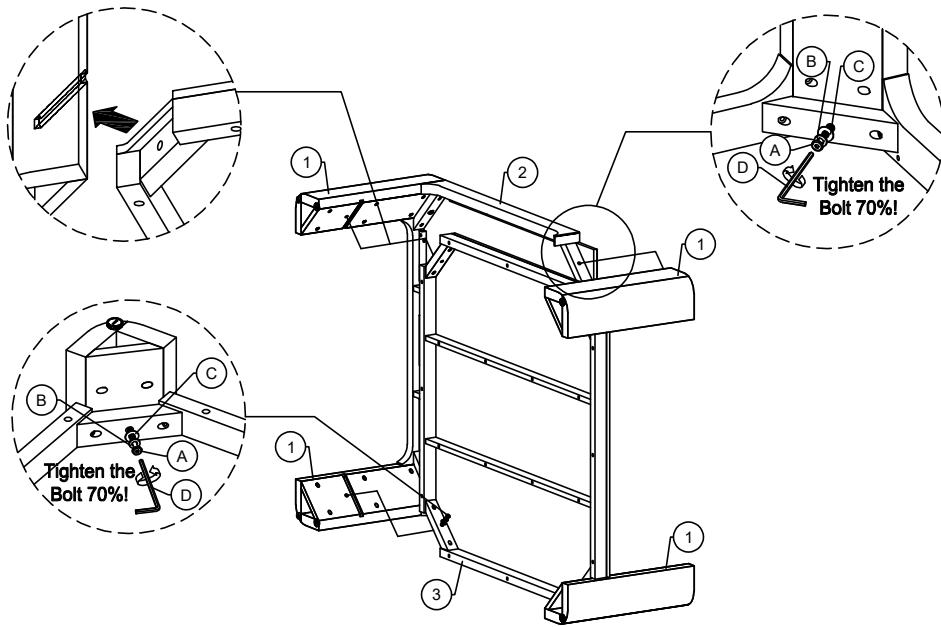
- Place the Top Panel (2) on the floor. Attach one leg (1) to corner of the Top Panel (2) using Bolt(A), Lock Washer(B), and Flat Washer(C). Secure each leg with the Allen Key (D).
- Repeat this step for the remaining one leg (1).

(2)



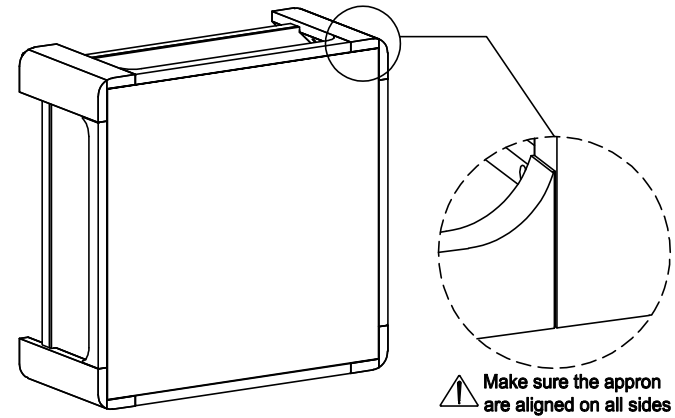
- Place the shelf (3) in an tilted position onto a padded.
- Attach two leg (1) to the Shelf (3), Ensure the Shelf is inserted into the leg grooves, using Bolt (A), Lock Washer (B), and Flat Washer (C). Secure each leg with the Allen Key (D). Tighten the Bolt 70% !

(3)



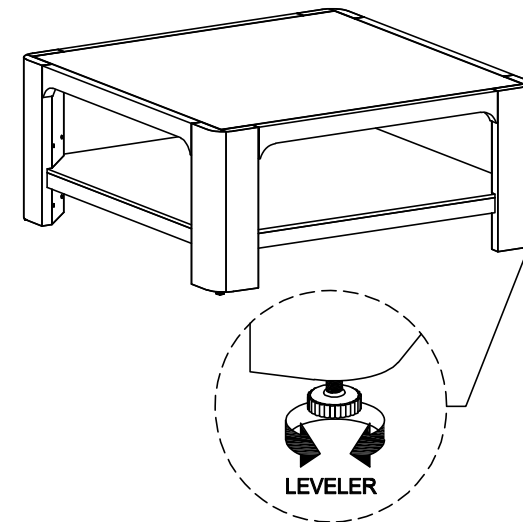
- Attach Shelf (3) to the Leg (1). Ensure that the shelf is inserted into the leg grooves at the same time. Use Bolt (A), Lock Washer (B), and Flat Washer (C) for assembly. Secure each leg using the Allen Key (D). Tighten the bolt 70%!

(4)



- Make sure the apron are aligned on all sides, then secure and tighten all the bolt 100%.

(5)



- Final step : Stand the square coffee table upright, then adjust the levelers located at the bottom of each Leg (1). Turn them outward, counterclockwise, to help compensate for uneven surfaces.