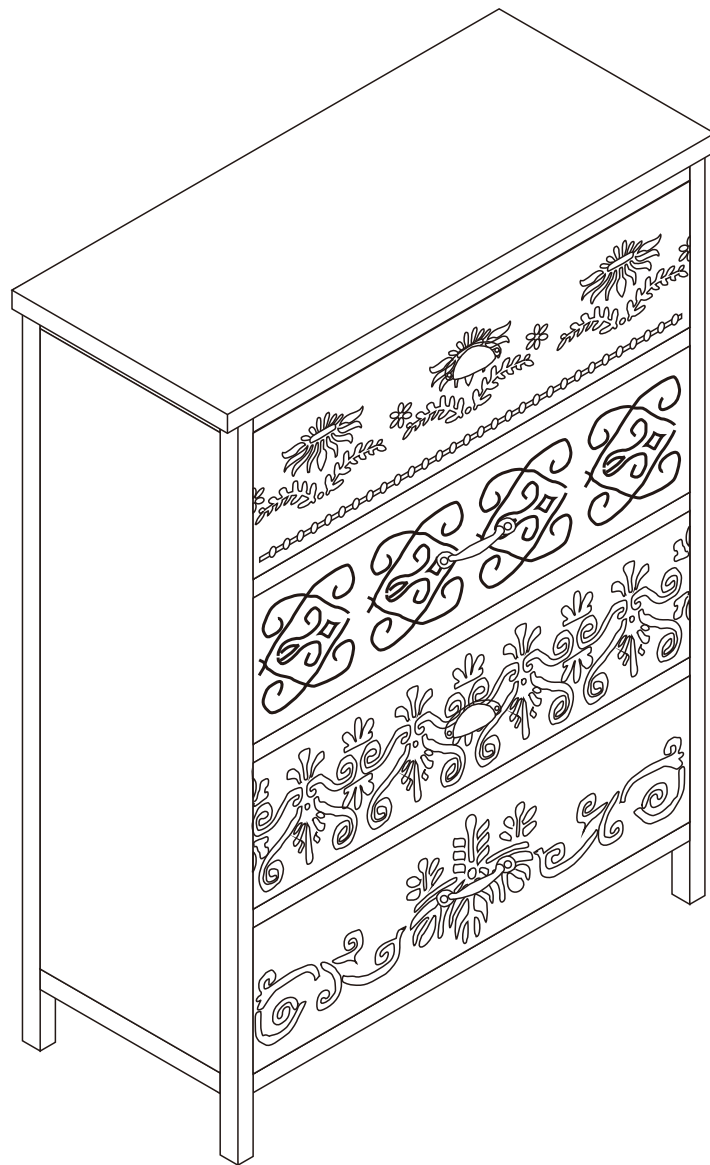
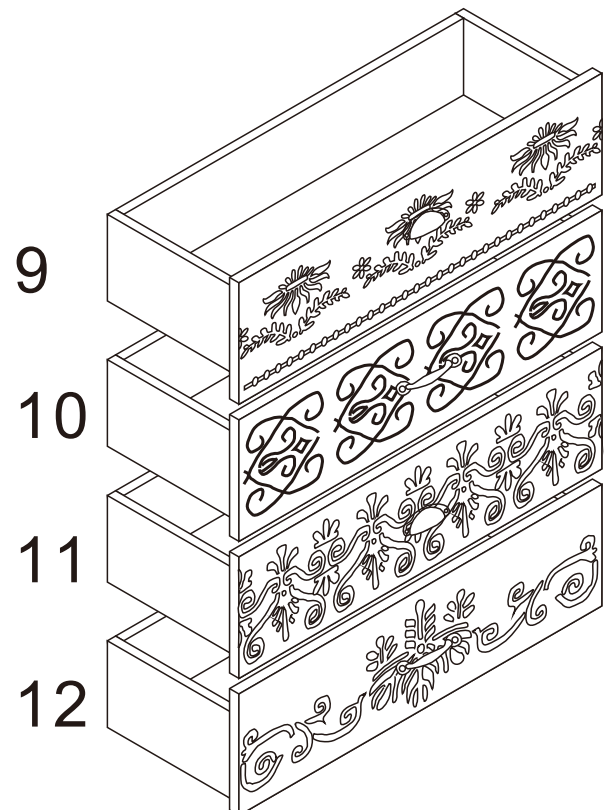
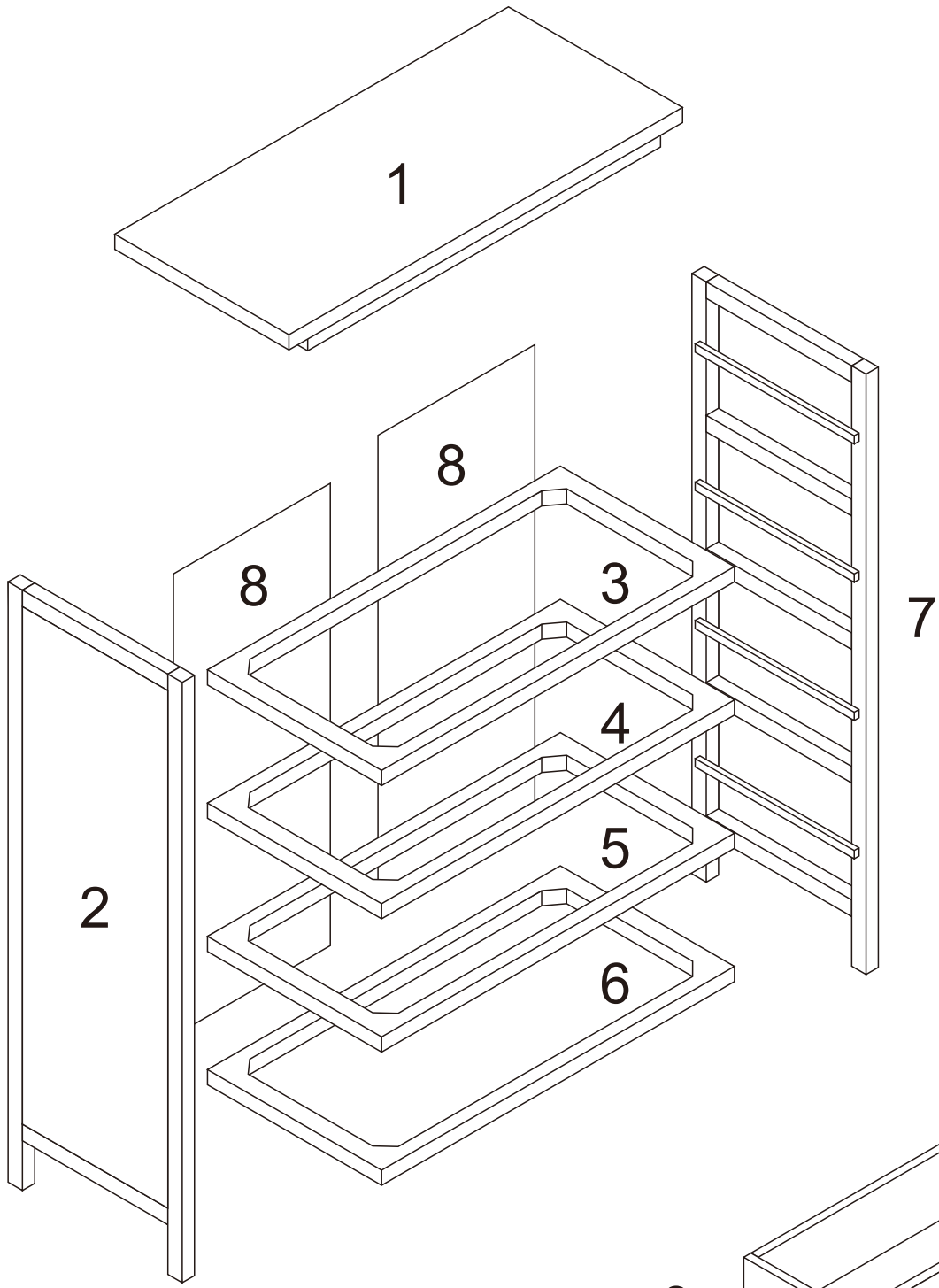


Installation Instruction





Instruction Manual


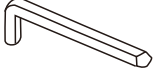
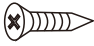

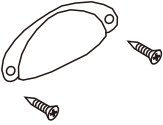


Please save this manual for future reference.

Thank you for purchasing this product. This product has been manufactured with the highest standards of safety and quality.

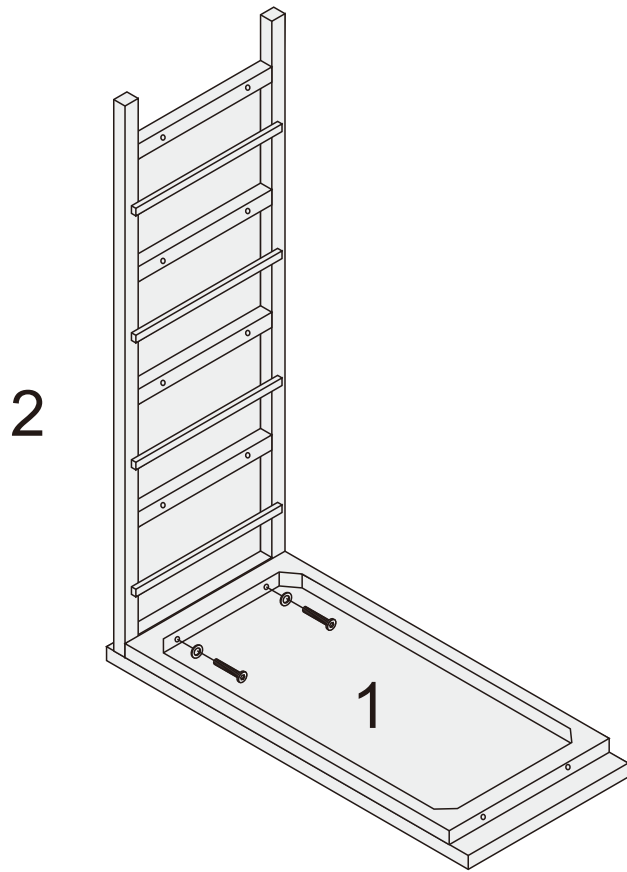
Product Name:	Natural Wood Accent Chest 4 Drawers
SKU #:	W2295P414113-H0117


hardwares contents:

CONTENTS

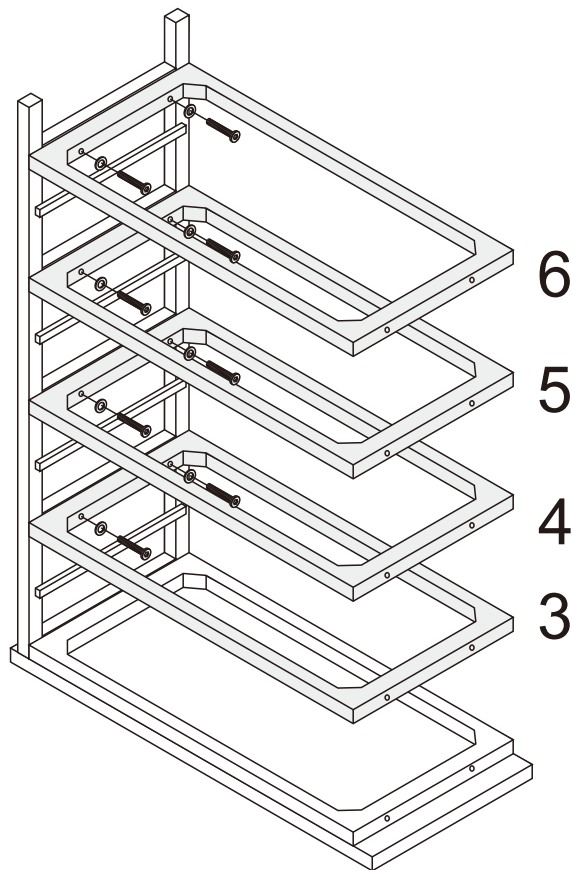
ID	DESCRIPTION	QTY	ID	DESCRIPTION	QTY
A	 8*35mm	20	B		1
C	 3.5*16mm	12	D	 3*18mm	48
E	 3*14mm	2+4	F	 4*25mm	2+4
G		1			


1



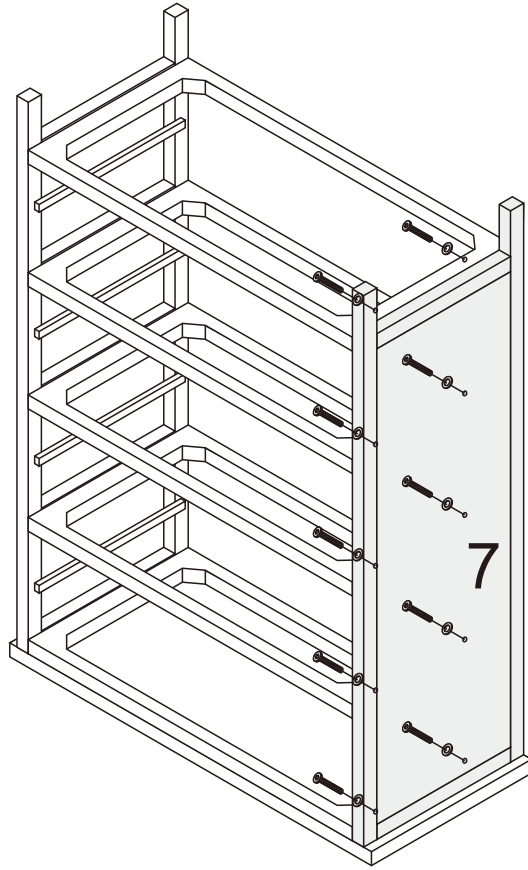
A	 8*35mm	2
---	--	---


2



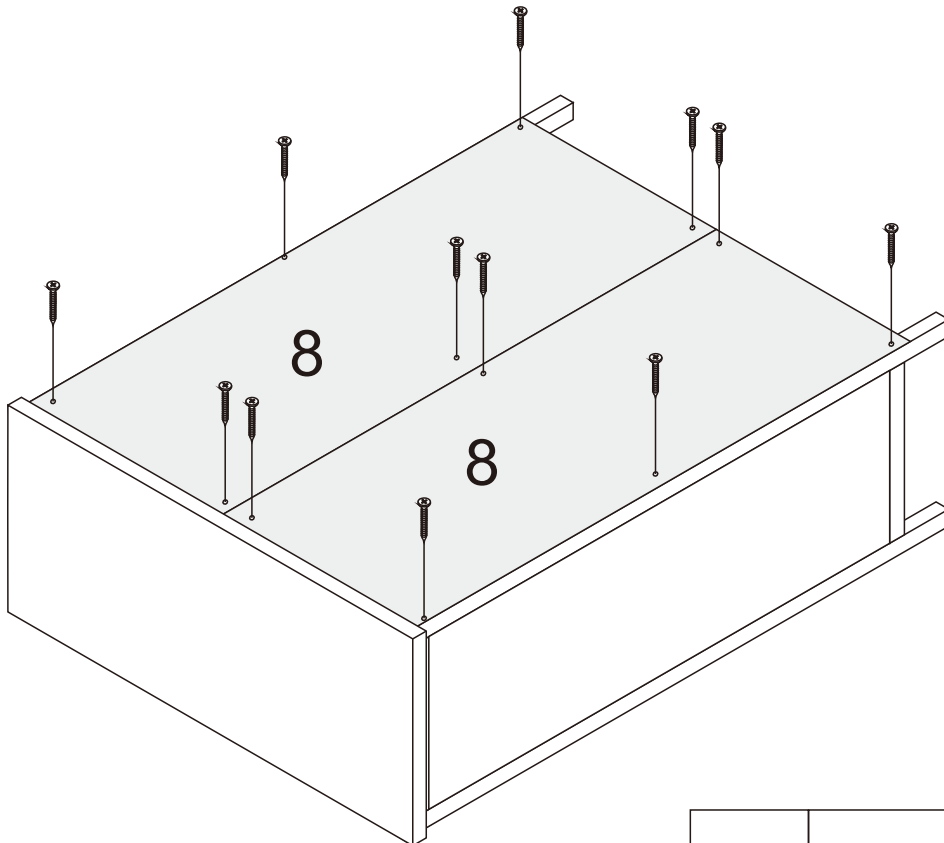
A	 8*35mm	8
---	---	---


7



A	 8*35mm	10
---	--	----

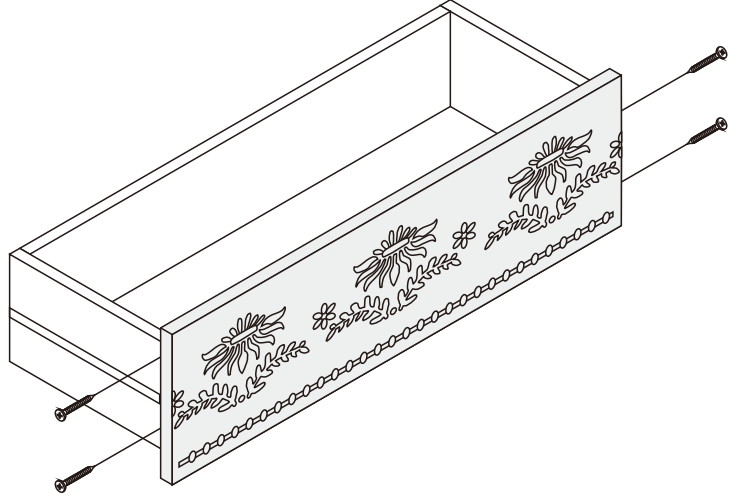
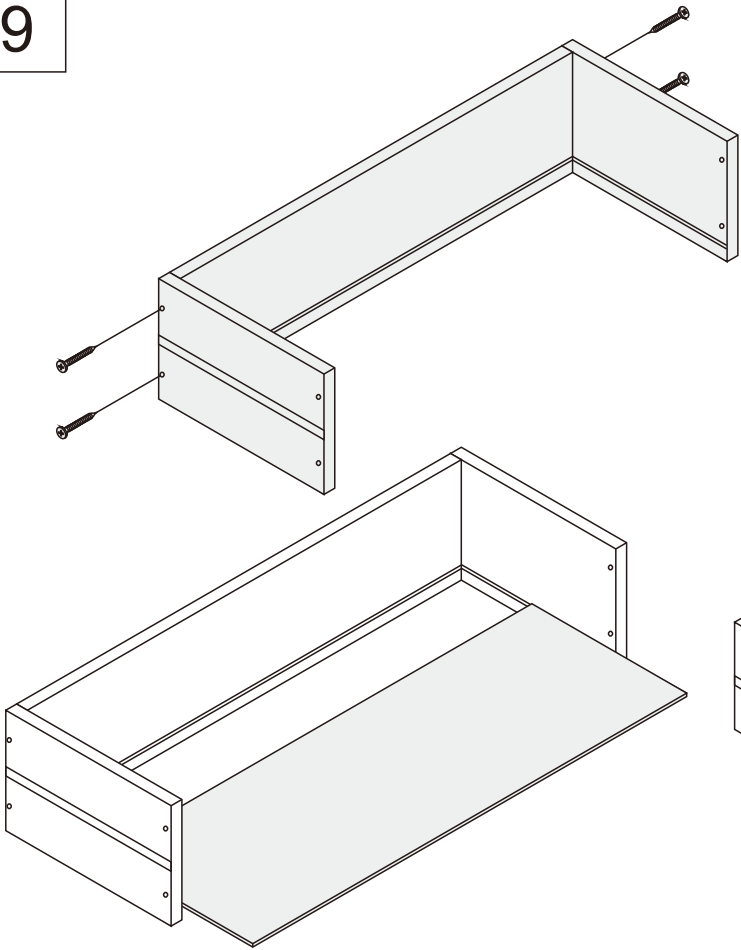
8




C	 3.5*16mm	12
---	---	----

9

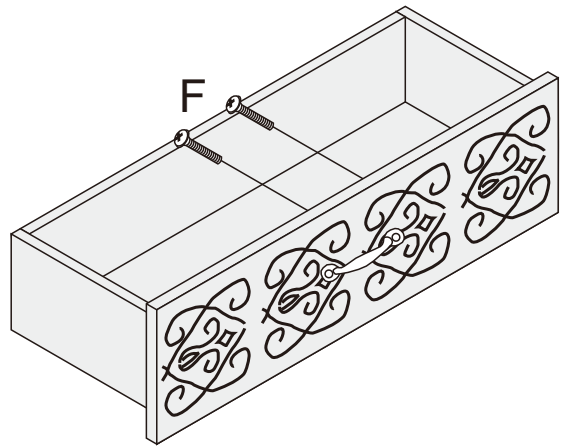
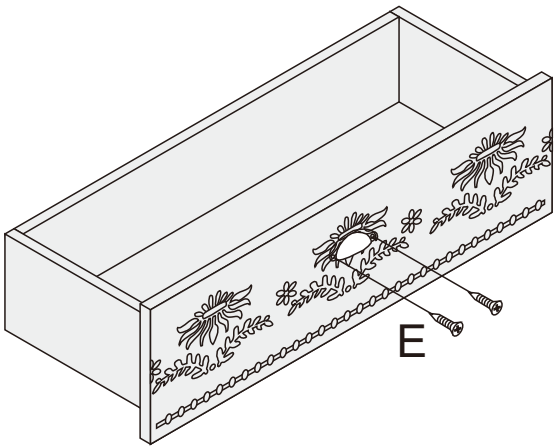
x4


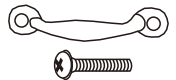


D		48
	3*18mm	

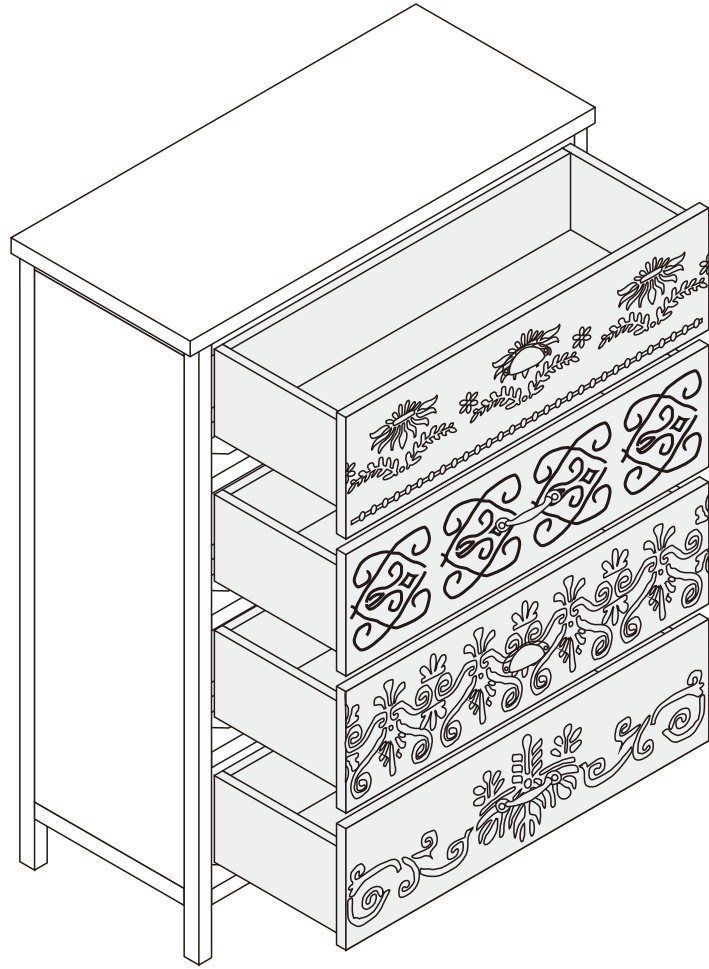
10

x2



E		2+4	F		2+4
	3*14mm			4*25mm	

11



9

10

11

12

12

