

VEVOR[®]

TOUGH TOOLS, HALF PRICE

Technical Support and E-Warranty Certificate www.vevor.com/support

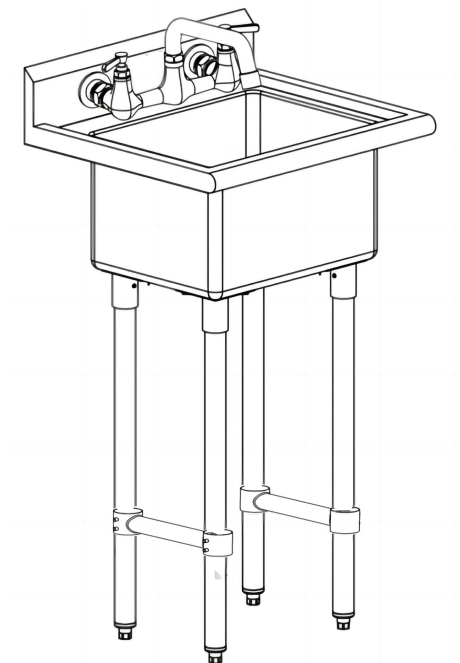
Commercial Stand Alone Sink User Manual

We continue to be committed to provide you tools with competitive price. "Save Half", "Half Price" or any other similar expressions used by us only represents an estimate of savings you might benefit from buying certain tools with us compared to the major top brands and does not necessarily mean to cover all categories of tools offered by us. You are kindly reminded to verify carefully when you are placing an order with us if you are actually saving half in comparison with the top major brands.

VEVOR[®]

TOUGH TOOLS, HALF PRICE

SHIPPING SCALE



NEED HELP? CONTACT US!

Have product questions? Need technical support? Please feel free to contact us:



CustomerService@vevor.com

This is the original instruction, please read all manual instructions carefully before operating. VEVOR reserves a clear interpretation of our user manual. The appearance of the product shall be subject to the product you received. Please forgive us that we won't inform you again if there are any technology or software updates on our product.

This is the original instruction, please read all manual instructions carefully before operating. VEVOR reserves clear interpretation of our user manual. The appearance of the product shall be subject to the product you received. Please forgive us that we won't inform you again if there is any technology or software updates on our product.

Technical Specifications

Model	N. W.	G. W.	Carton Size
S1C-151512	12.6Kg	15.8Kg±3%	520*515*580 mm±10mm
S1C-181812	14.2Kg	18Kg±3%	585*585*555 mm±10mm
S1C-242413	18.4Kg	23.6Kg±3%	745*740*580 mm±10mm

SAFETY



Note / Remark.



Caution / Warning.



Read the instruction manual.



Read this material before using this product. Failure to do so can result in serious injury. Save This Manual.



Assembly precautions

1. Assemble only according to these instructions. Improper assembly can create hazards.
2. Wear ANSI-approved safety goggles and heavy-duty work gloves during assembly.
3. Keep assembly area clean and well lit.
4. Keep bystanders out of the area during assembly.
5. Do not assemble when tired or when under the influence of alcohol, drugs or medication.
6. Weight capacity and other product capabilities apply to properly and completely assembled product only.
7. Assemble on a flat, level, hard and smooth surface capable of safely

supporting a fully loaded Commercial Stand Alone Sink.



Use precautions

TO PREVENT SERIOUS INJURY AND DEATH FROM TIPPING:

1. DO not sit, stand on this Commercial Stand Alone Sink.
2. This product is not a toy. Do not allow children to play with or near this item.
3. Do not exceed weight capacities, evenly distributed from bottom up. Be aware of dynamic loading! Sudden load movement may briefly create excess load causing product failure. Do not exceed capacity of Commercial Stand Alone Sink.
4. Empty Commercial Stand Alone Sink before moving.
5. Use only on a flat, level, hard and smooth surface capable of safely supporting a fully loaded Commercial Stand Alone Sink.
6. Use as intended only.
7. Inspect before every use; do not use if parts are loose or damaged.



WARNING!

DO NOT let comfort or familiarity with product (gained from repeated use) replace strict adherence to the product safety rules. If you use this product unsafely or incorrectly, you can suffer serious personal injury.

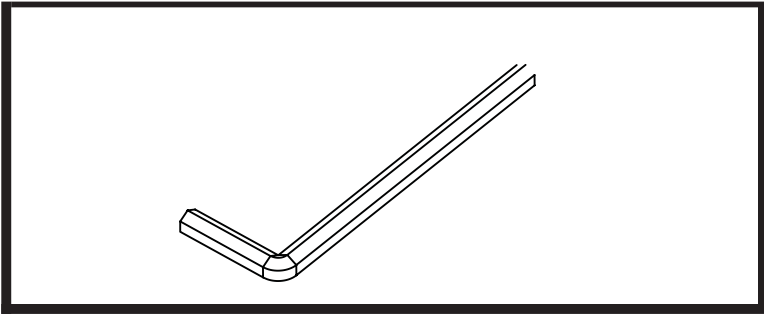
Preparation

Before beginning assembly of product. make sure all parts are present .

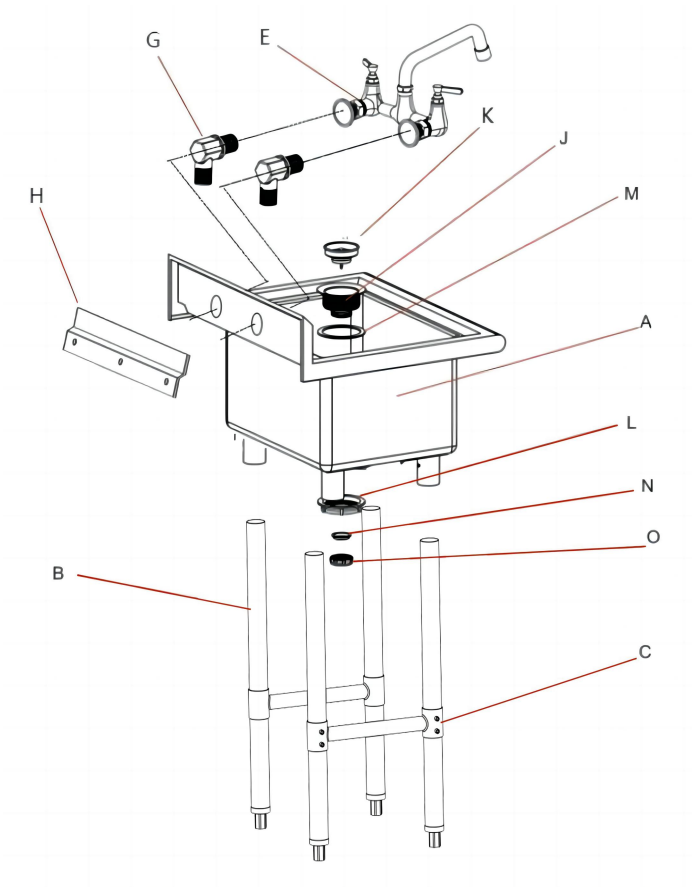
Compare parts with package contents list and hardware contents list .

If any part is missing or damaged. do not attempt to assemble the product .




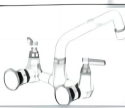








Tools Needed





Exploded Drawing



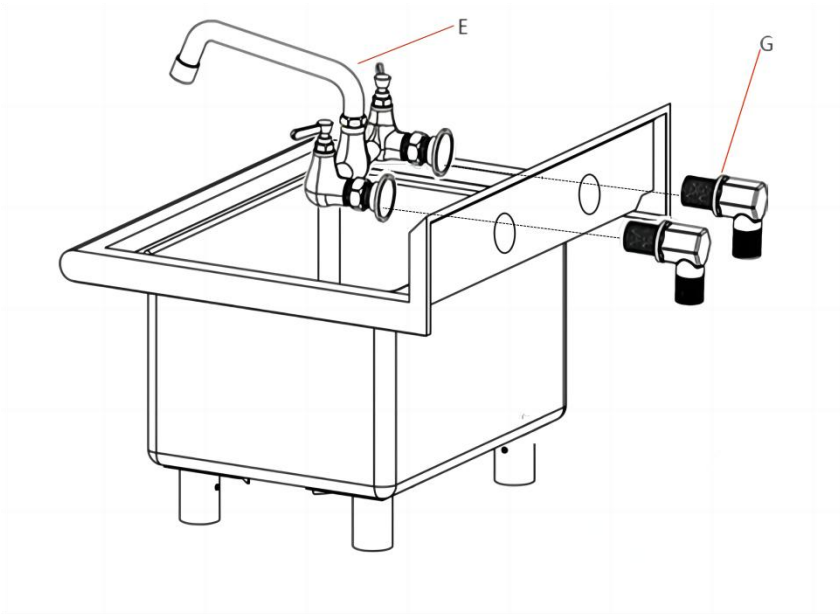
Parts List

Label	Part Number	Description	Qty	Part Image
A	P00790015101	Sink	1	
B	P00540056001	Leg	4	
C	P00050157801	Short beam	2	
E	P00510033601	Faucet	1	
G	P00510033701	brass screwed nipple	2	
H	P00220005801	Wall mount bracket	1	
J	P00510033801	Adapter sink	1	
K	P00510033901	Drain plug	1	
L	P00220033101	Lock nut	1	
M	P00530009601	Washer drain	1	
N	P00220005901	Washer	1	
O	P00530009401	Coupling	1	

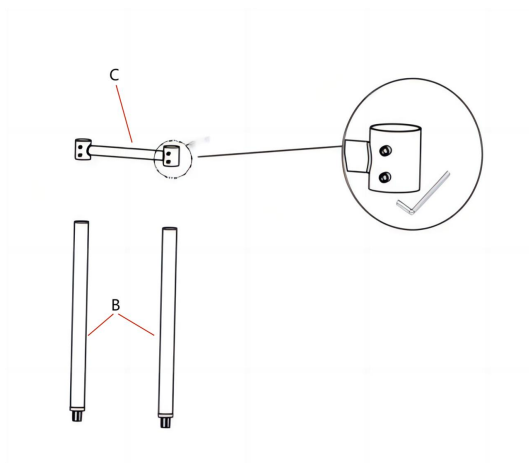
Hardware Pack					
Label	Part Number	Description	Qty	Add	Part Image
AA	H090030002	Wrench M6	1	0	
BB	H120010001	Bolt M8*8	12	0	

Assembly

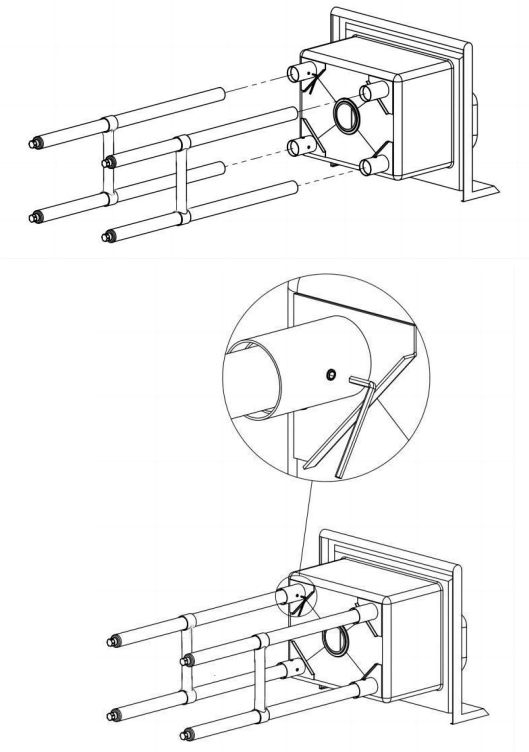
STEP1:Place the washer onto the end of faucet and insert the faucet through the back side of the sink . From back side the sink , secure the faucet (E) to the sink using a brass screwed nipple (G).



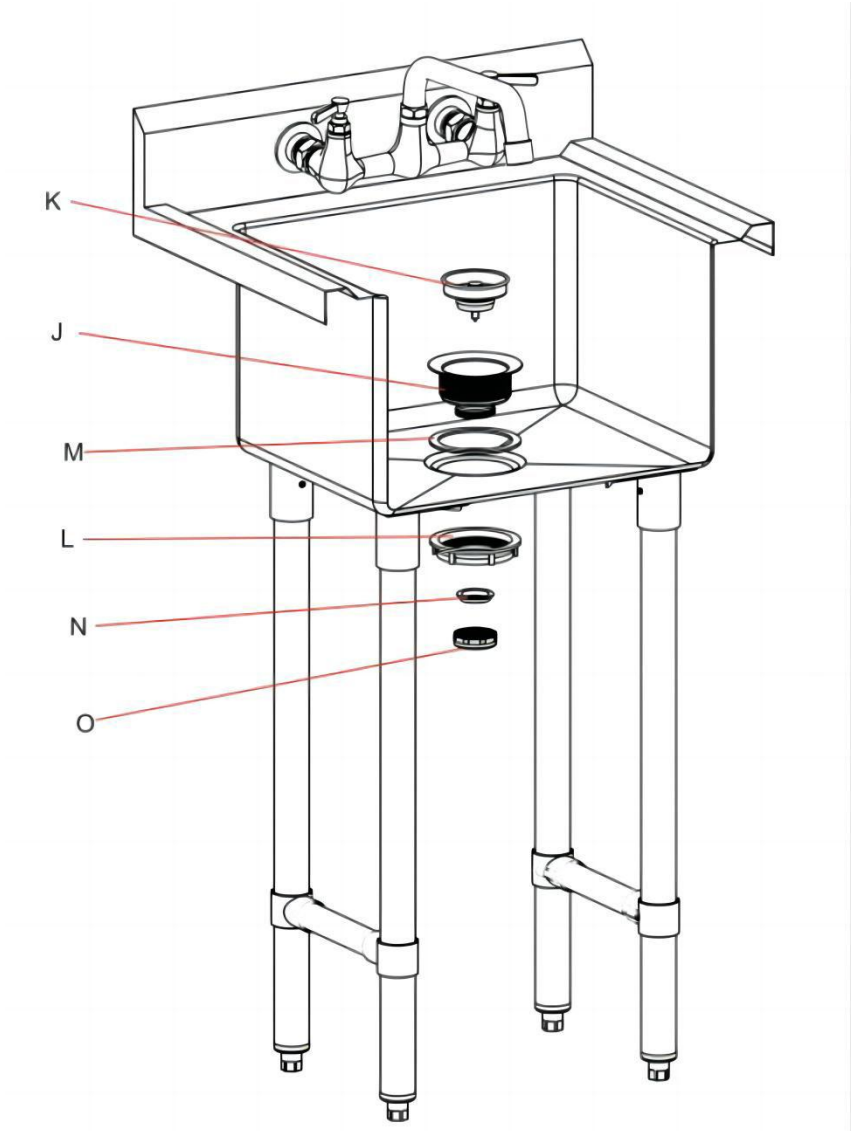
STEP2:Connect the pipe and legs with connectors 'Tighten with a wrench



STEP3:Insert leg into the circular tube of sink, tighten the screws with an Allen wrench after the leg is placed with the right angel.

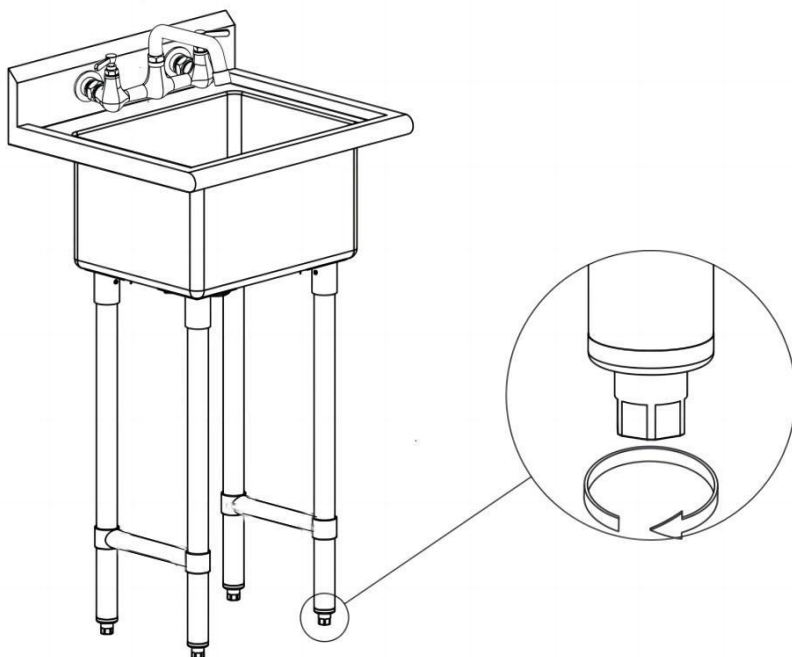


STEP4:Put the rubber washer on the top of the drain opening in the sink .Put the drain bowl on the rubber washer and through the drain opening. Fasten the threaded washer onto the drain bowl and tighten. Insert the drain plug into the drain bowl



NOTE

If the ground is uneven , you can rotate the adjusting foot to keep it stable.



MAINTENANCE/ Service

- 1.If you find rust or mildew on the sink, you can use toothpaste to smear on the rust and spots , and then clean it with a cloth. Remember not to scrub with steel ball , otherwise the protective layer on the surface of the sink will be damaged.
- 2.Do not use bleach , acid , or other abrasive cleaners in sink.
- 3.Do not put rusty objects in or on the sink.
- 4.Keep instruction manual for future reference.
- 5.Periodically check and ensure that all bolts are well-tighten during use.

Disposal

This product should be disposed of in accordance with local regulations. If you are unsure how to proceed, contact your local authority.

Only qualified technicians are authorized to undertake the repair of Stand Alone Sink.

For your safety , please observe all safety notes, precautions, and details in this manual.

Warranty

- 1.This warranty shall only cover claims for damage due to a fault in the product's manufacture
- 2.If a warranty claim is made, the party entitled to warranty cover must present the proof of purchase, including the purchase date.
- 3.Customers' satisfaction is always the motivation of our brand growth. We promise to help you solve any issues . Please just let us know if you need help.

OUR SERVICE TEAM PROMISES TO REPLY TO YOUR MESSAGE WITHIN 24H.

Scope of Warranty

- 1.We guarantee that VEVOR products are produced in accordance with iso9001 Quality Management procedures and are free of manufacturing defects for the period of warranty.
- 2.This warranty covers faults in the products due to manufacturing defects within 1 year from date of purchase.After inspection by sales representative, defective products will be replaced or repaired with equivalent goods free of charge.
- 3.Any warranty claim made during warranty period shall not extend the overall period of warranty coverage.
- 4.Warranty periods:Warranty claim date

VEVOR[®]

TOUGH TOOLS, HALF PRICE

Technical Support and E-Warranty Certificate

www.vevor.com/support

Made In China