

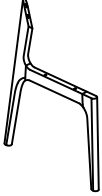
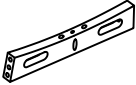
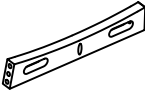





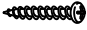




# Product Assembly Instructions

## DINING CHAIR

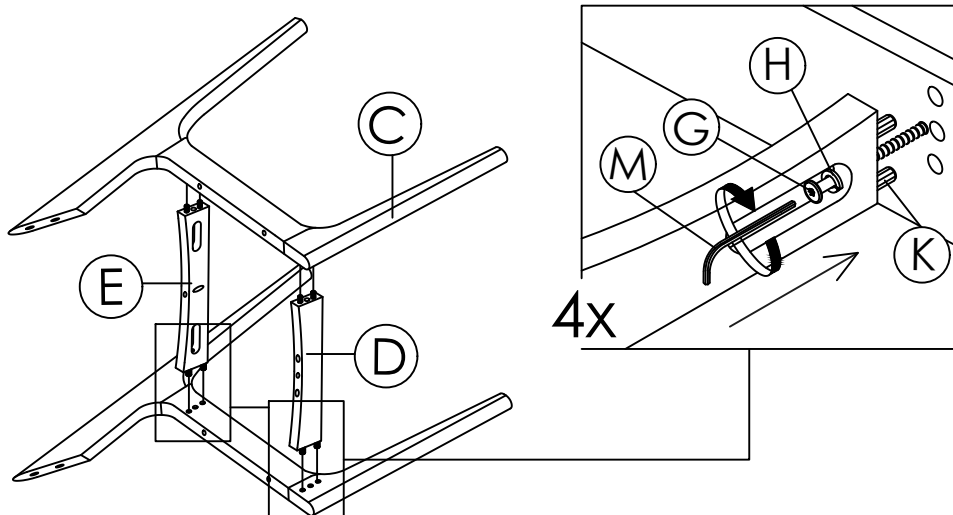
### PART LIST

		
A : BACKREST x1	B : CUSHION SEAT x1	C : SIDE LEG (L & R) x2
		
D : FRONT RAIL x1	E : BACK RAIL x1	

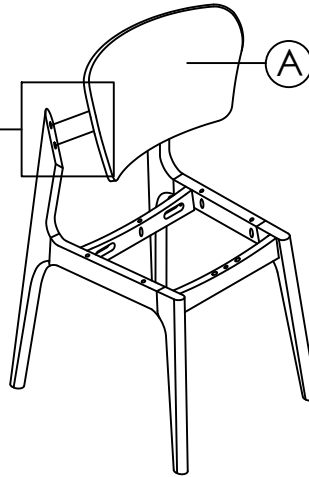
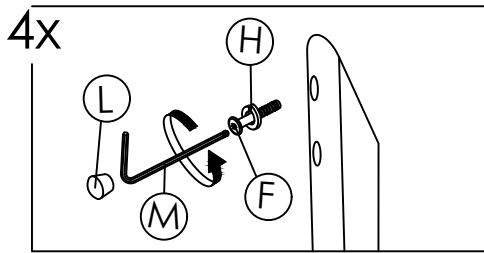
### HARDWARE LIST

		
F : JCBC SCREW M6 x 25mm x4	G : JCBC SCREW M6 x 50MM x4	H : SPRING WASHER 1/4" x8
		
I : PAN HEAD WOOD SCREW M5 X 32mm x6	J : WOOD DOWEL DIA 8 x 25mm x2	K : WOOD DOWEL DIA 8 x 35mm x8
		
L : WOOD BUTTON 14.5MM x4	M : ALLEN KEY M4 ( BALL SHAPE ) x1	

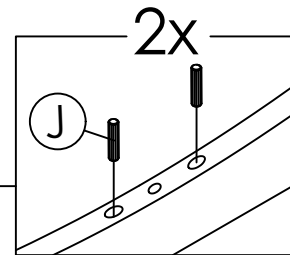
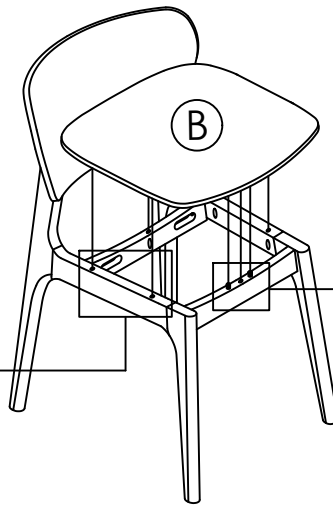
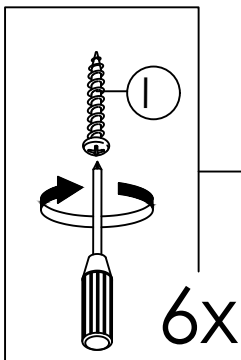
## STEP 1



STEP 2



STEP 3



STEP 4

