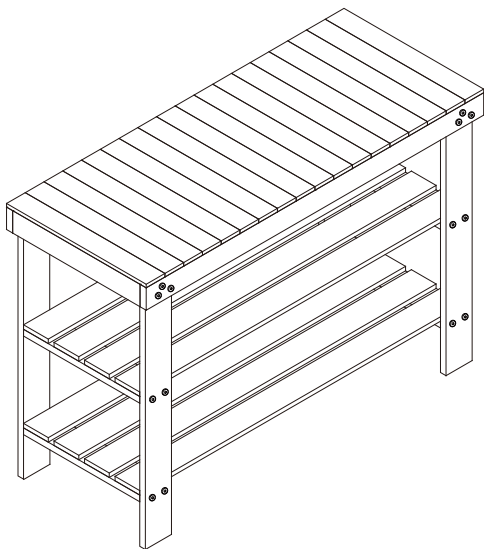
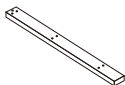
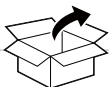
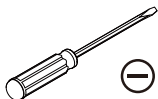
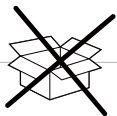
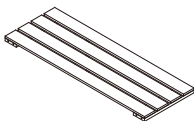


Installation & Assembly

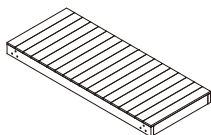




A x 4



B x 2



C x 1



D1 x 12



M6 x 25mm

D2 x 12



E1 x 16



M6 x 40mm

E2 x 16



5/32" (4mm)

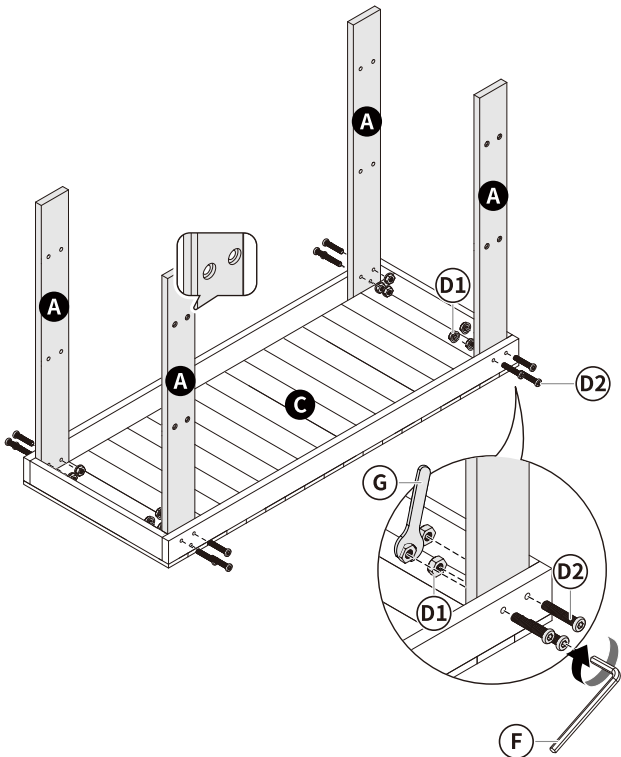
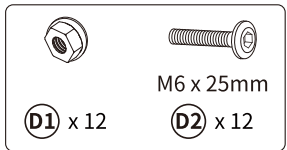
F x 1



3/8" (10mm)

G x 1

1



2



M6 x 40mm

(E1) x 16

(E2) x 16

