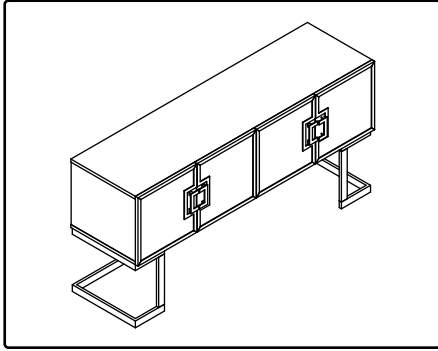


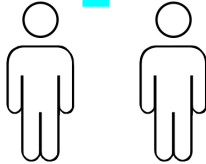
ASSEMBLY INSTRUCTIONS



+ Do Not Use
Power Tools



+ Suggested
Adults



NOTE:

- 1 Read instructions cover to cover.
- 2 Save all packaging until assembly is completed.

1 IMPORTANT SAFETY INFORMATION

Do not assemble the product if any of the following parts arrived damaged:

- Part ① - Table top
- Part ② - Left base
- Part ③ - Right base

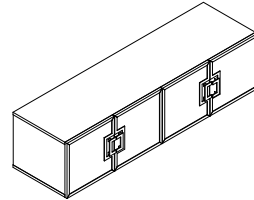
2 IMPORTANT ASSEMBLY INFORMATION

- Assembly Step ① Use bolt to connect the base on top and put levellers.
- Assembly Step ② Unscrew screw and take handle from inside of door.
- Assembly Step ③ Put handle in place and fasten tight on door.
- Assembly Step ④ Put anti-over tag on the back
- Assembly Step ⑤ Put the expander on your wall and fasten tip-over tag if any necessary.

*Warning: Do not over tighten screws, or it could damage the Table Top.

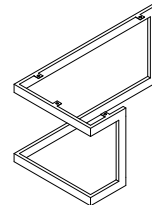
+ Parts Included

①



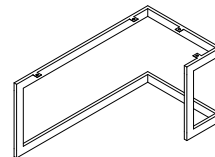
x1

②



x1

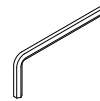
③



x1

+ Hardware Included

A



Allen Key
M4 1PCS

B



Bolt
M6x15 8PCS

C



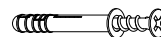
Washer
M6x16 8PCS

D



Adjustable feet
M6+∅15x7 10PCS

E



Expander
M6x55 2PCS

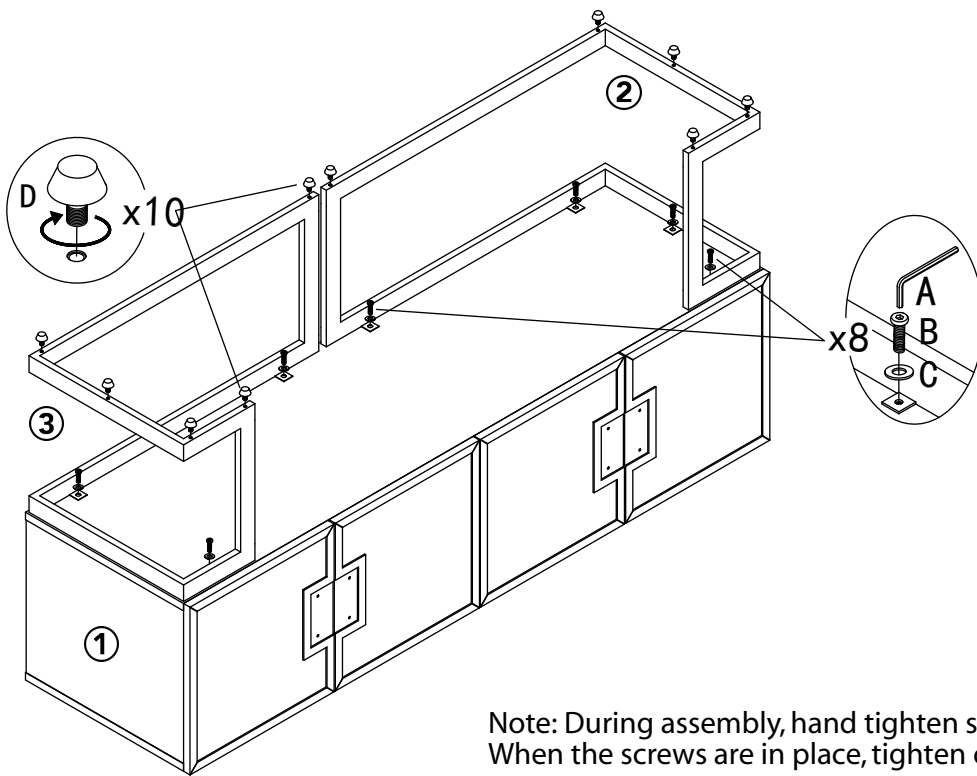
F



Anti-over tag
2PCS

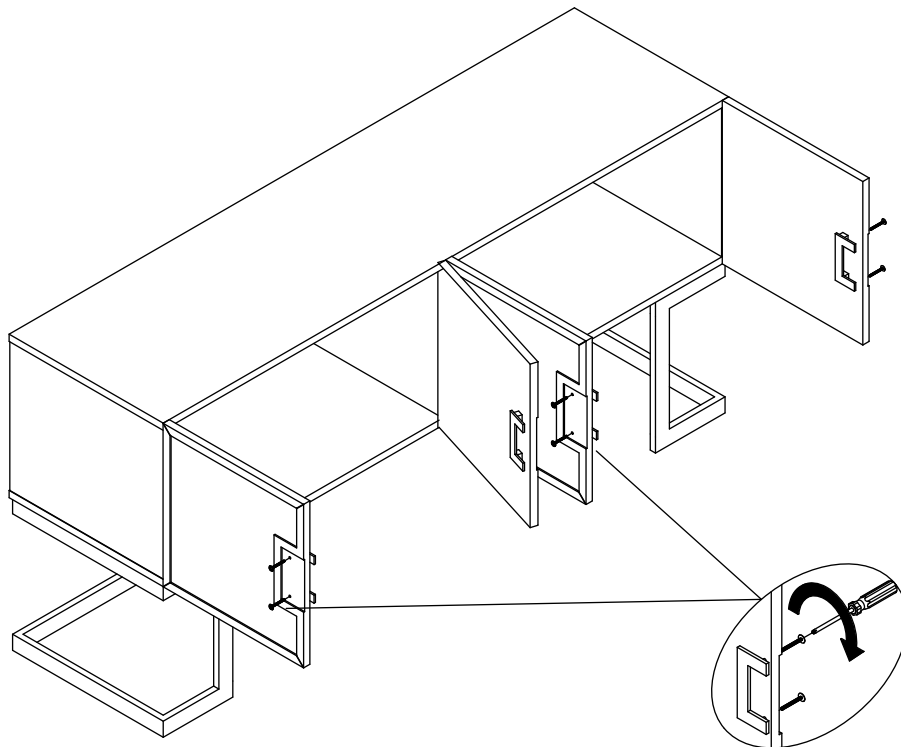
ASSEMBLY INSTRUCTIONS

1



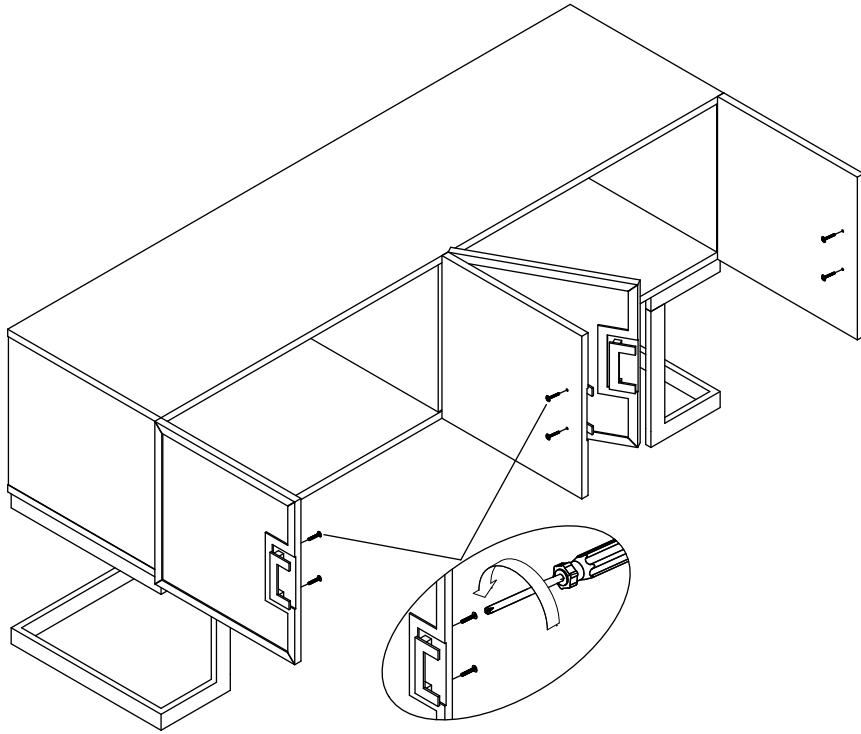
Note: During assembly, hand tighten screws only.
When the screws are in place, tighten completely.

2

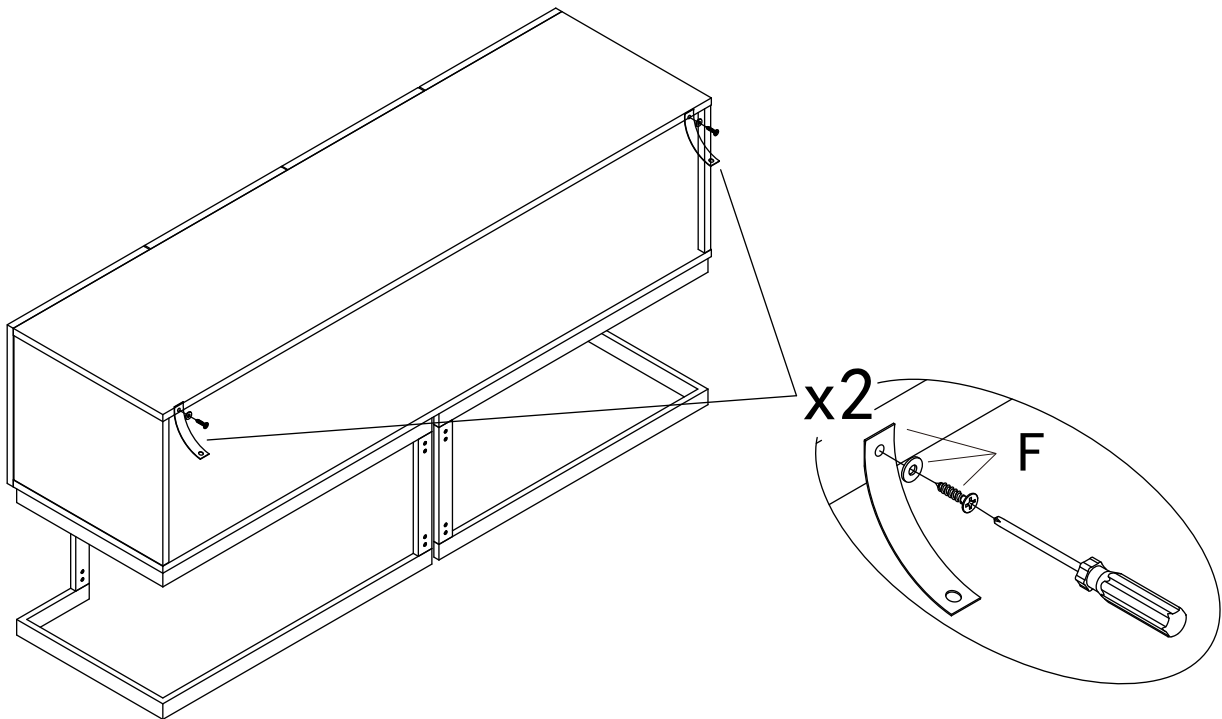


ASSEMBLY INSTRUCTIONS

3

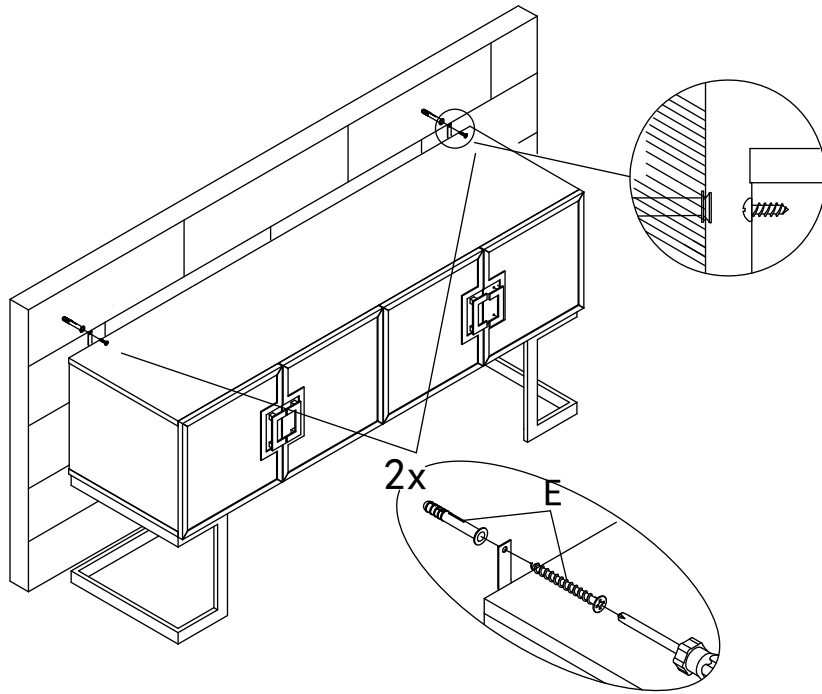


4



ASSEMBLY INSTRUCTIONS

5



Put the expander screw on your wall if any necessary.

ASSEMBLY INSTRUCTIONS

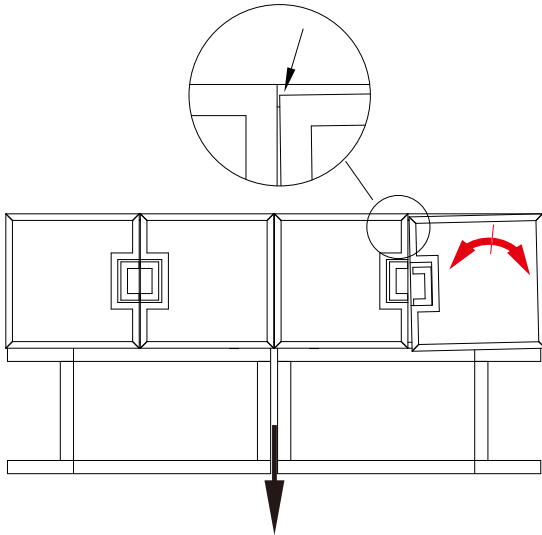
Hinges Adjustment Facilities



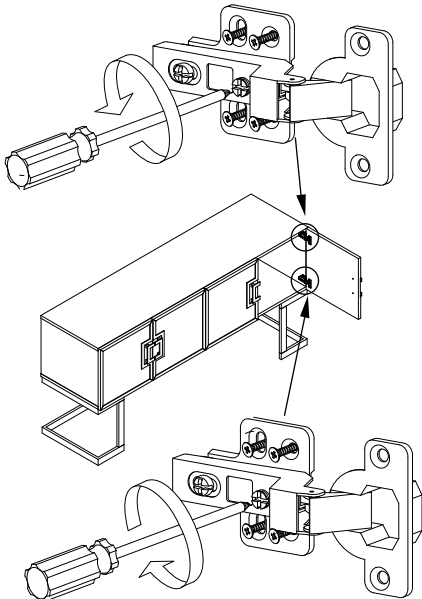
Warning : To ensure all hinges continue to work smoothly, pls check them regularly and adjust them necessary.

Question 1

How to adjust the two door are not aligned and lower with screw adjustment?



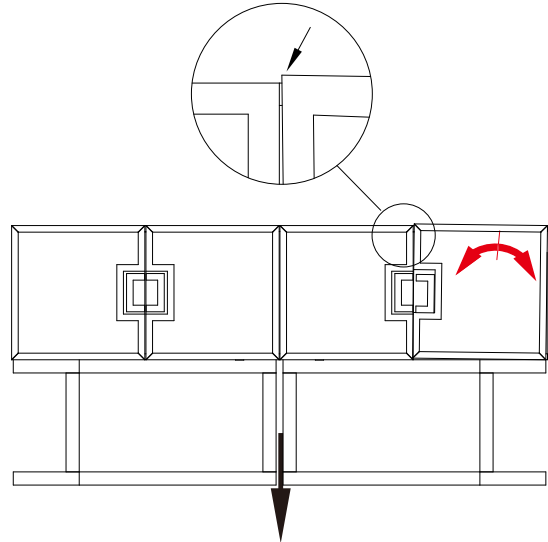
Turn left middle bolt adjuster properly until door is balanced



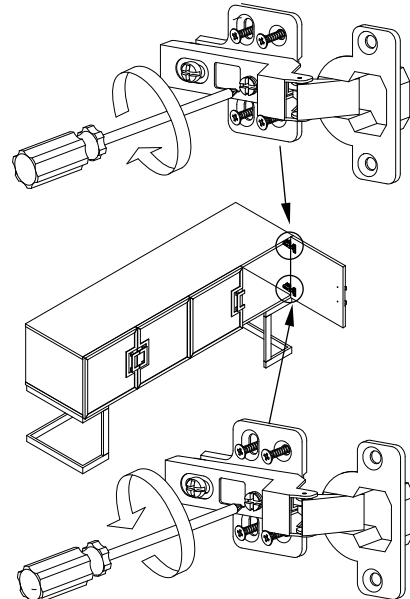
Turn right middle bolt adjuster properly until door is balanced

Question 2

How to adjust the two door are not aligned and higher with screw adjustment?



Turn right middle bolt adjuster properly until door is balanced



Turn left middle bolt adjuster properly until door is balanced

ASSEMBLY INSTRUCTIONS

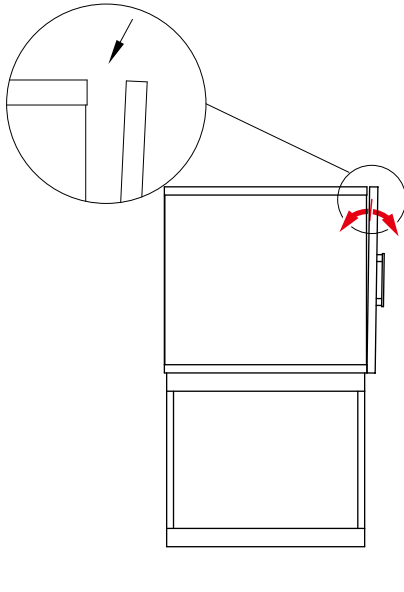
Hinges Adjustment Facilities



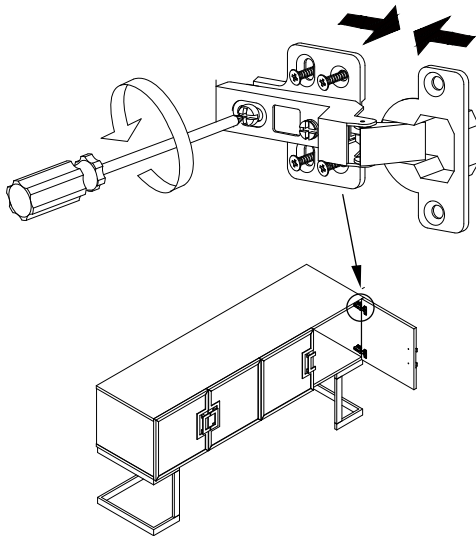
Warning : To ensure all hinges continue to work smoothly, pls check them regularly and adjust them necessary.

Question 3

How to adjust the door gap at side with screw adjustment?

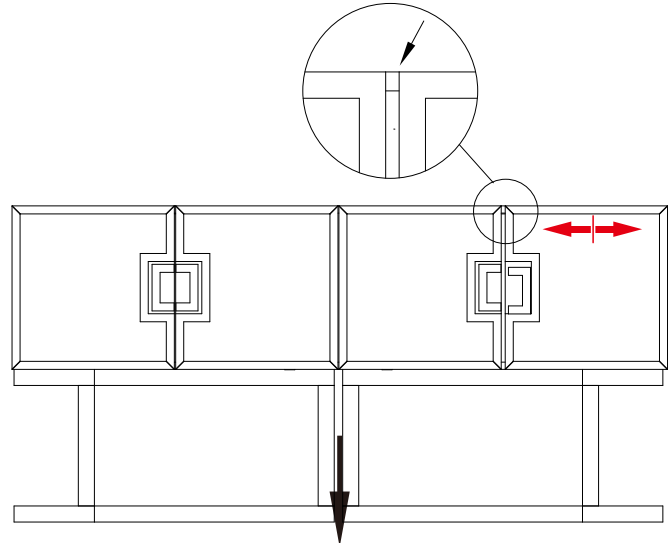


Turn left the adjuster properly until door is balanced

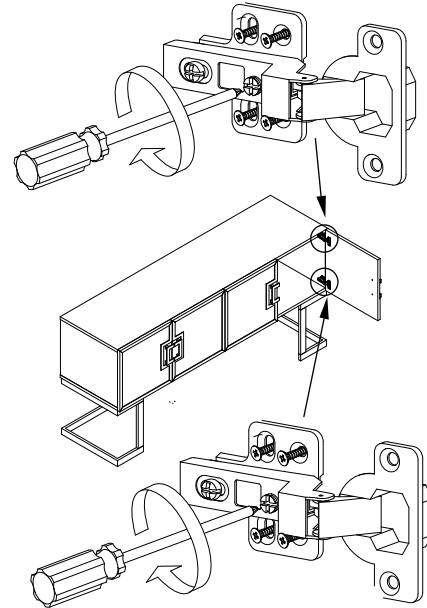


Question 4

How to adjust the door gap at front with screw adjustment?



Turn right middle bolt adjuster properly until door is balanced



Turn right middle bolt adjuster properly until door is balanced