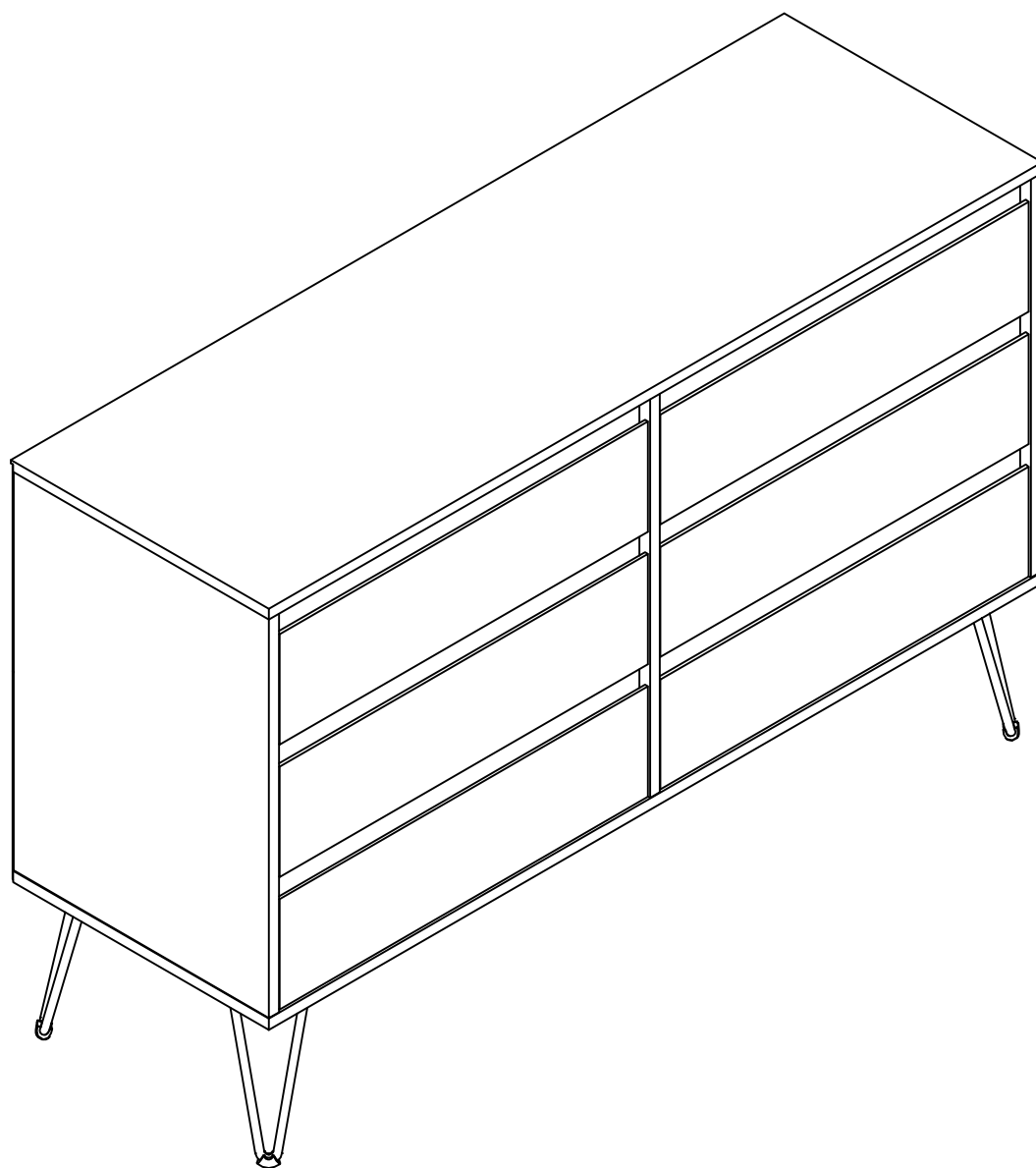


# ASSEMBLY INSTRUCTION

**3+3 DRAWER CHEST**

**2 PERSON ASSEMBLY**

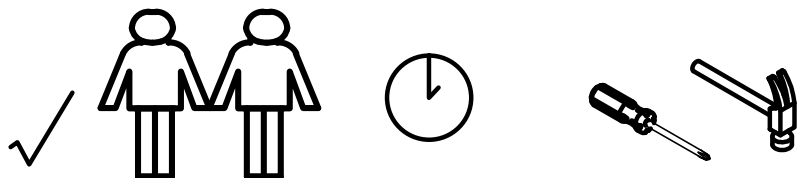
**Please check all fittings & panels are  
in the box prior to assembly**



# Safety and Care Advice

**IMPORTANT - Please Read This Instruction Carefully Before Assembly.**

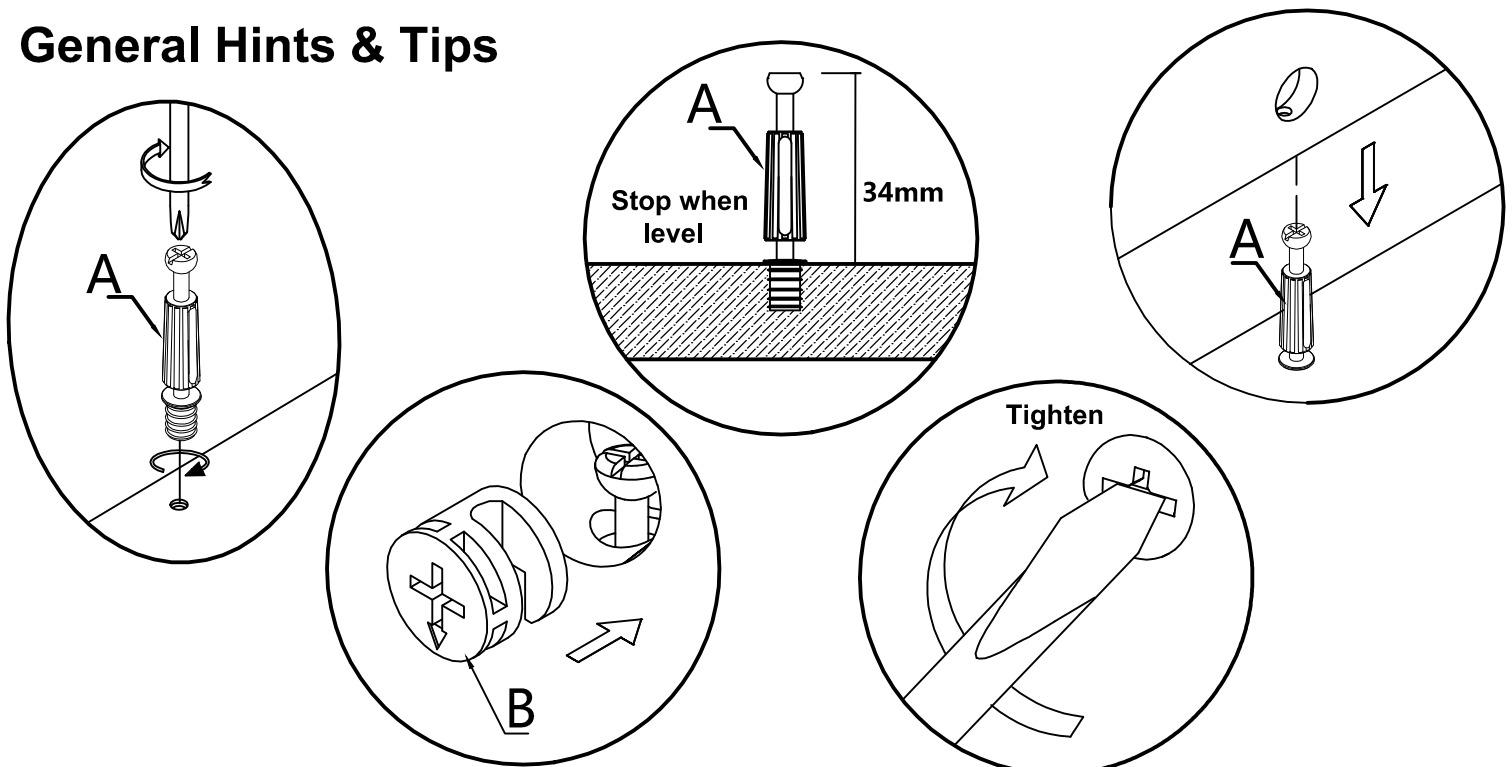
- Check you have all the components and tools listed on page 3.
- Do not stand or put weight on the product, this could cause damage.
- Do not use power drill/drivers for assembly, or the unit may be damaged.
- Remove all settings from the plastic bags and separate them into their groups.
- Assemble the item as close to it's intended position (in the same room) as possible.
- Assemble on a soft level surface to avoid damaging the unit.
- Dispose of all packaging carefully and responsibly.
- Keep children and animals away from the work area, small parts could choke if swallowed.
- Assemble on a soft level surface to avoid damaging the unit.
- Parts of the assembly will be easier with 2 people.
- Make sure you have enough space to layout the parts before assembly.



## CARE and MAINTENANCE

- Only clean using a damp cloth and mild detergent, do not use bleach or abrasive cleaners.
- From time to time check that there are no loose screws on this unit.
- This product should not be discarded with household waste. Take to your local authority waste disposal center.

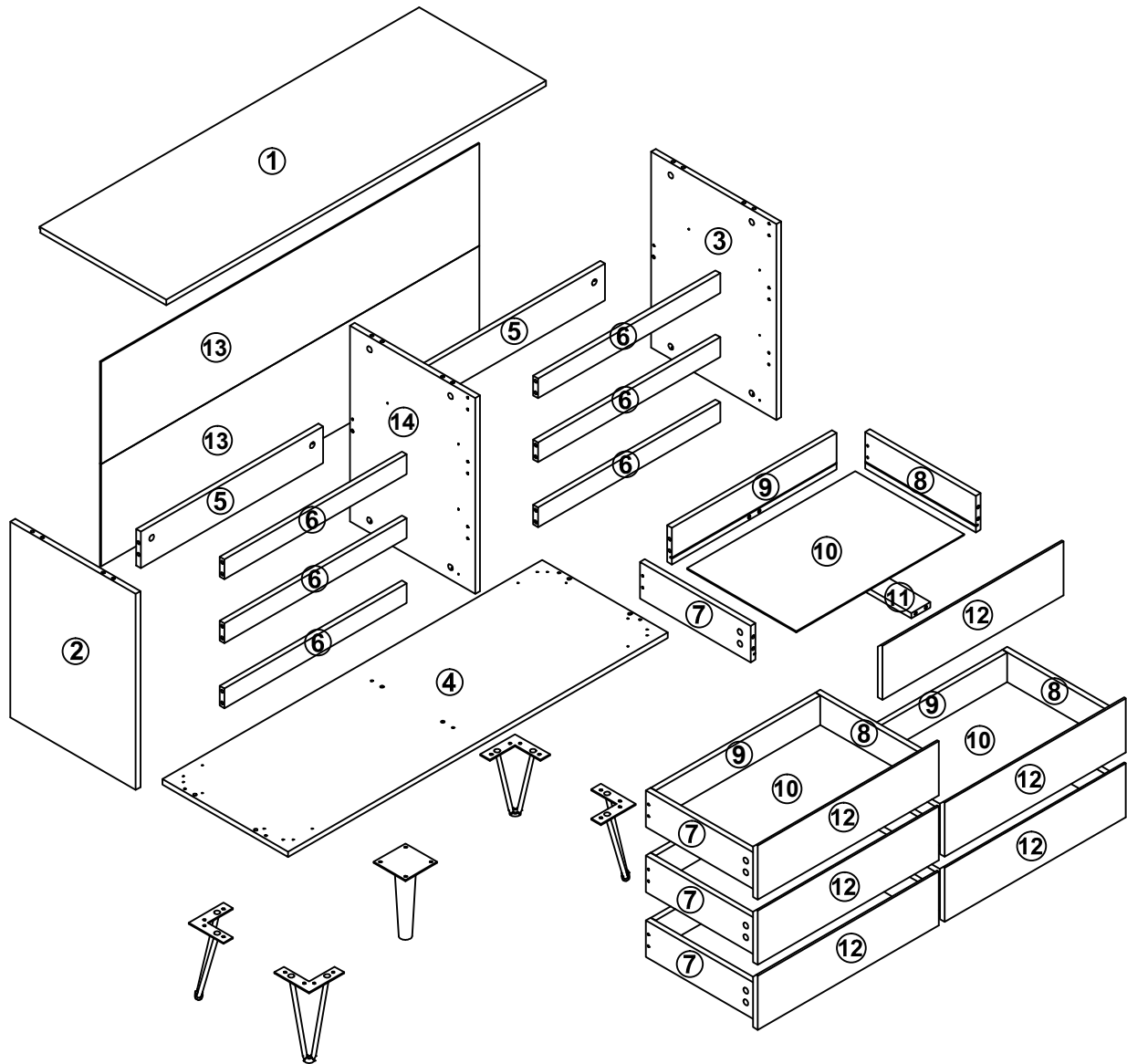
## General Hints & Tips

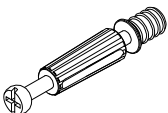
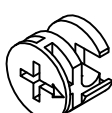
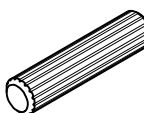
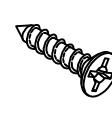
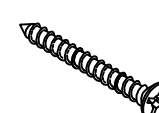


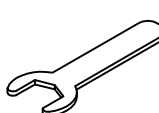
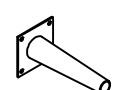


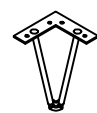


# Components and Tools

**IMPORTANT - Please Check If You Have All The Components and Tools.**

**Note: The quantities below are the correct amount to complete the assembly. In some cases more pieces may be supplied than are required.**



A=64  Peg M6*34mm	B=64  Lock M15*12mm	C=40  Dowel M6*30mm	D=52  Screw M3.5*14mm	E=24  Screw M4*38	F=16  Screw
G=18  Pin	H=1  Wrench	I=1  Support Feet 150MM	CR CL DR DL=6  Drawer Runner 14"	K=16  Screw Cap	L=4  Metal Feet 150H

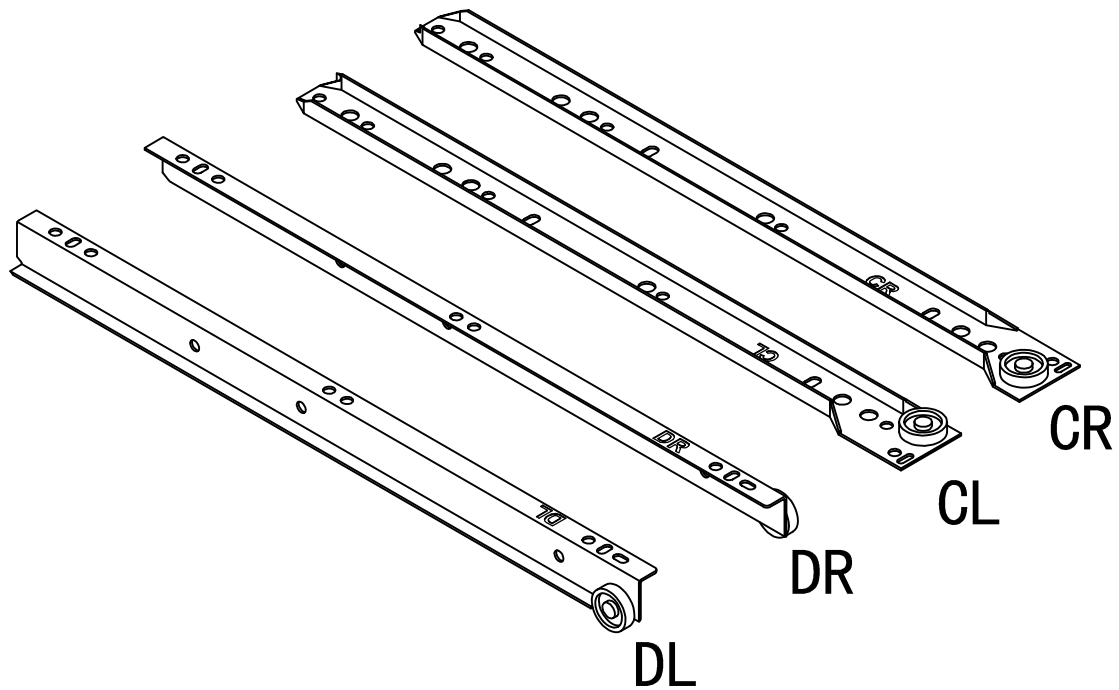
**1OF2** ①, ④, ⑤ X2, ⑥ X6, ⑫ X6, ⑬ X2,

**2OF2** ②, ③, ⑦ X6, ⑧ X6, ⑨ X6, ⑩ X6, ⑪ X6, ⑭, FITTING KIT

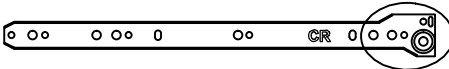
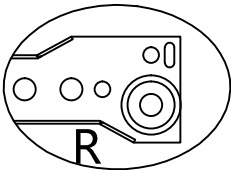
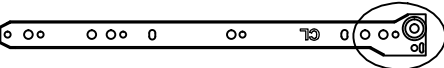
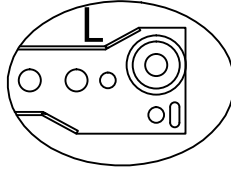
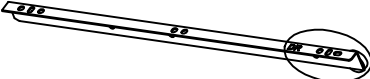
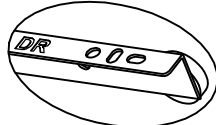
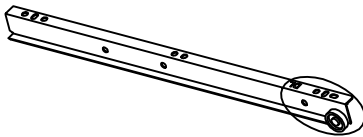
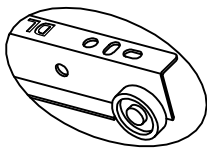
# Drawer Runner Instruction

**IMPORTANT - Please Read It Carefully.**

**NOTE: 1 PAIR DRAWER RUNNER INCLUDES 4 PIECES.**



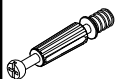
## Fittings (not to scale)

NO.	DESCRIPTION	QTY		
CR	Outer Drawer Runner - Right	6PCS		
CL	Outer Drawer Runner - Left	6PCS		
DR	Inner Drawer Runner - Right	6PCS		
DL	Inner Drawer Runner - Left	6PCS		

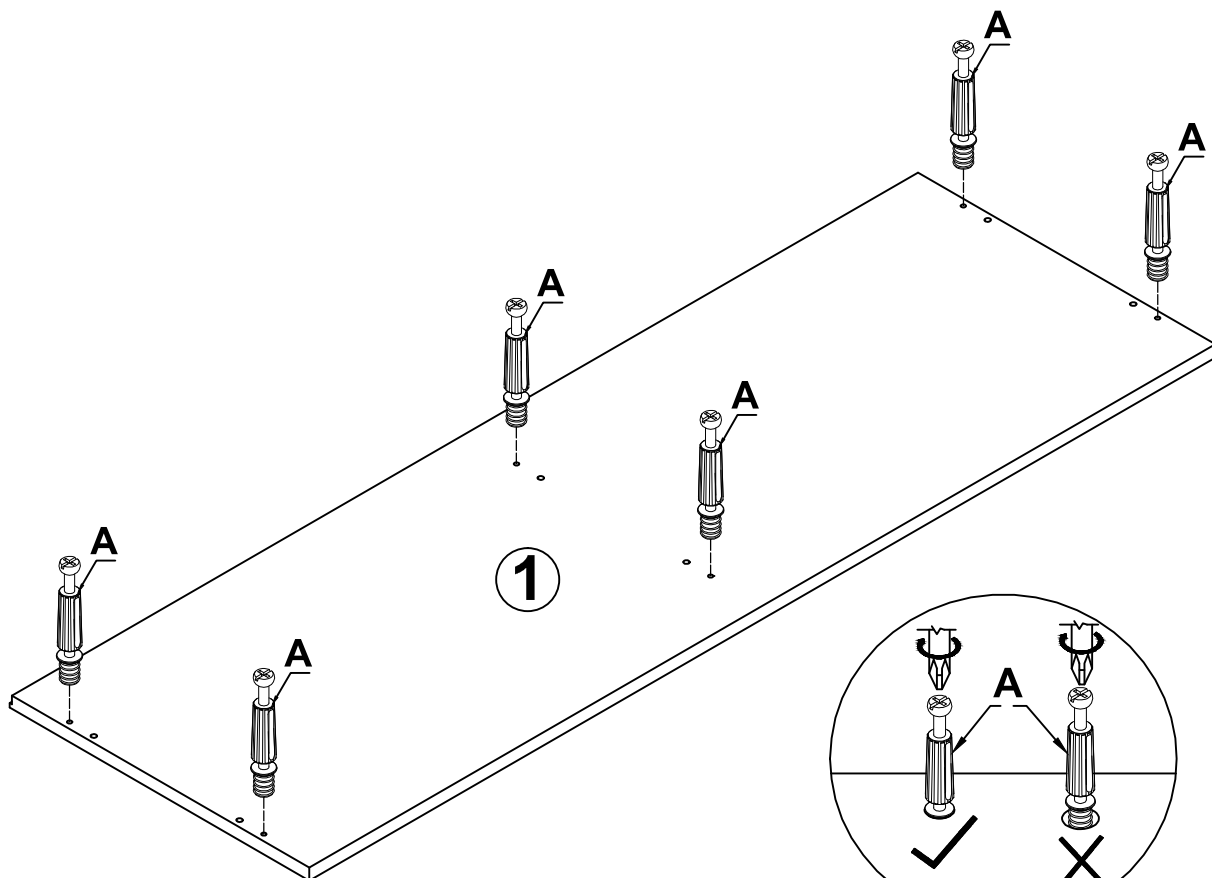
# Assembly Instruction

## Step 1

A=6



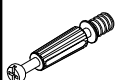
Peg



## Step 2

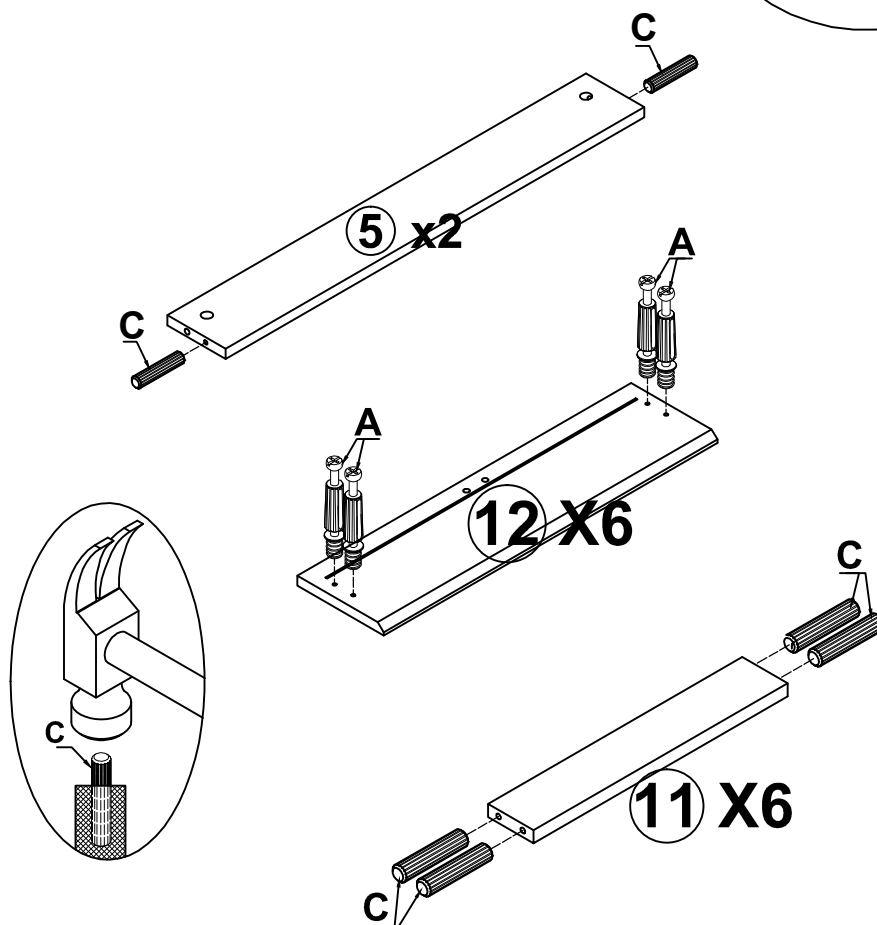
A=24

C=28








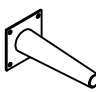
Peg

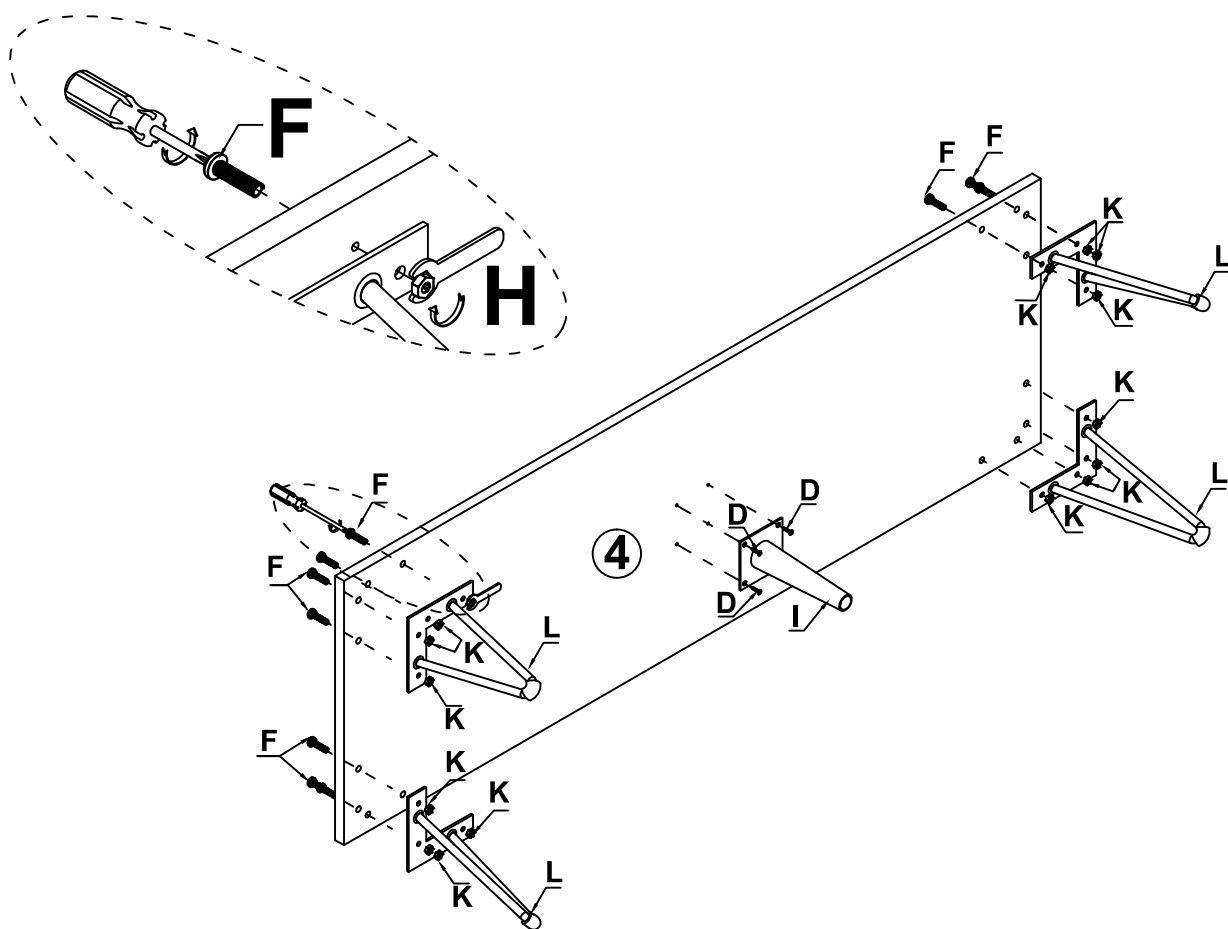
Dowel



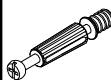
# Assembly Instruction

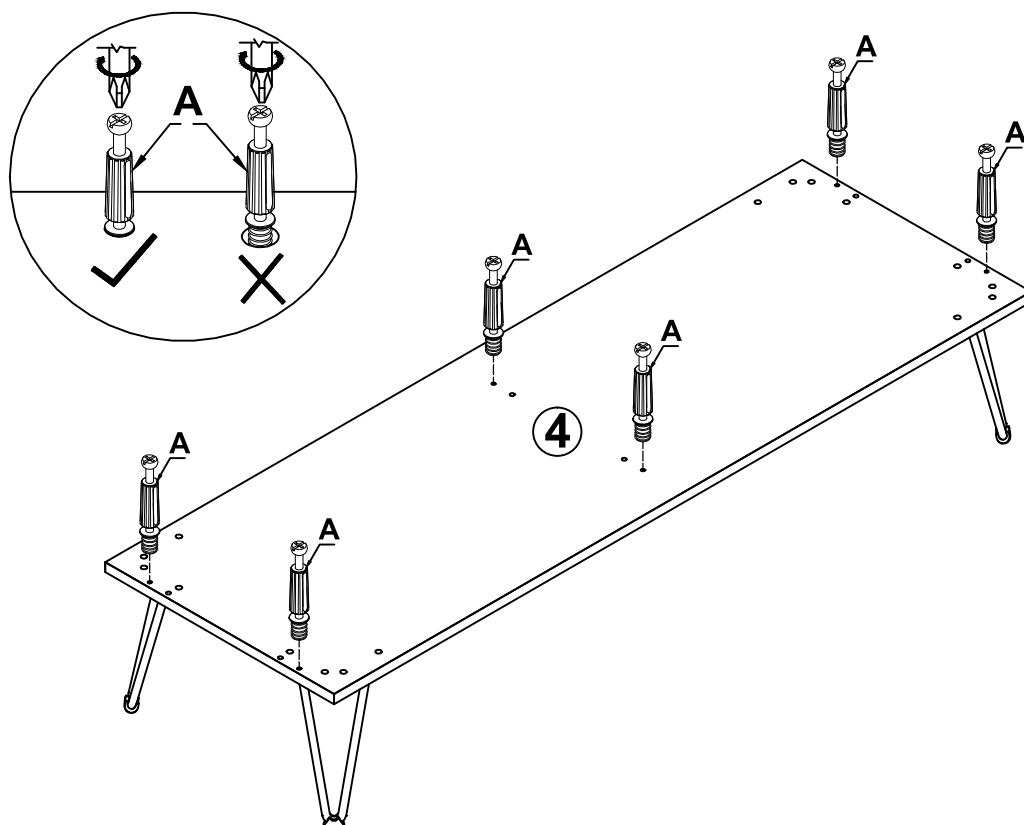
## Step 3

D=4	F=16
	
Screw M3.5*14mm	Screw
L=4	H=1
	
Metal Feet	Wrench
K=16	I=1
	
Screw Cap	Support Feet



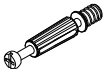

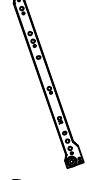

## Step 4

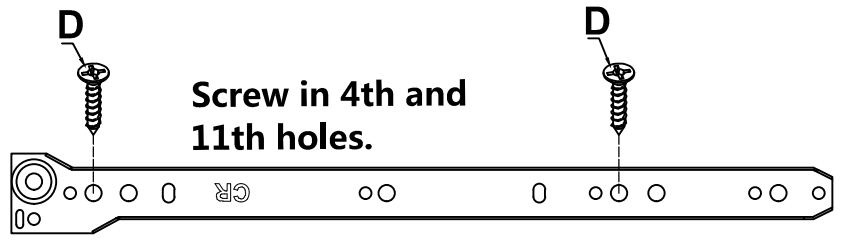
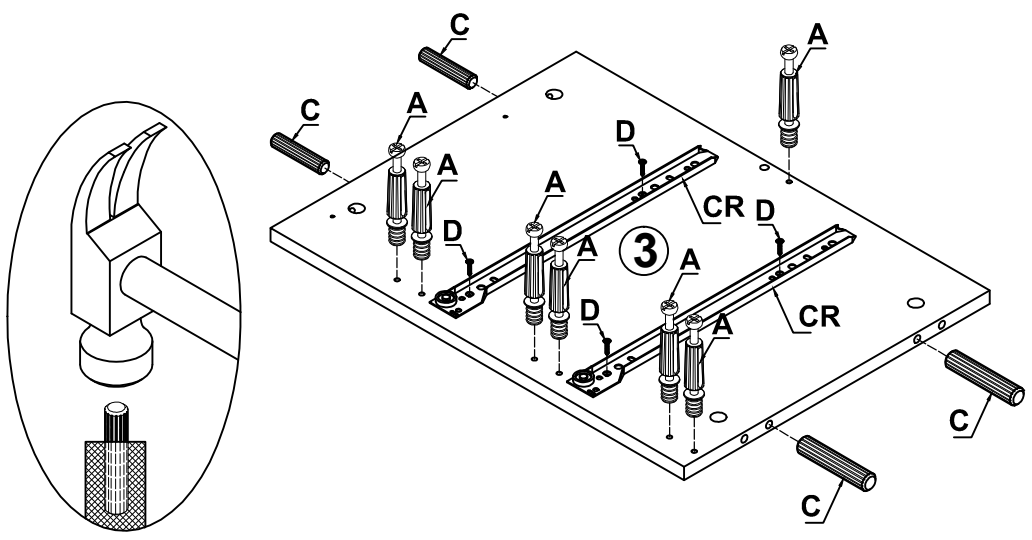
A=6	
	
Peg	



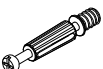

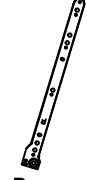

# Assembly Instruction

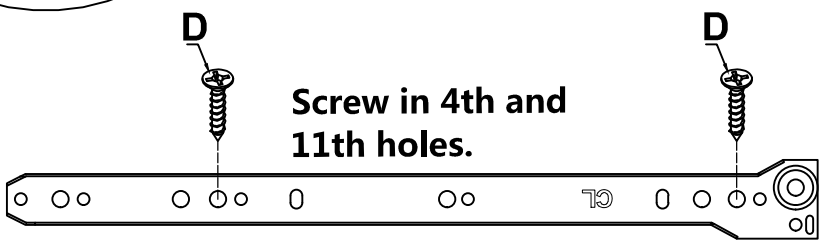
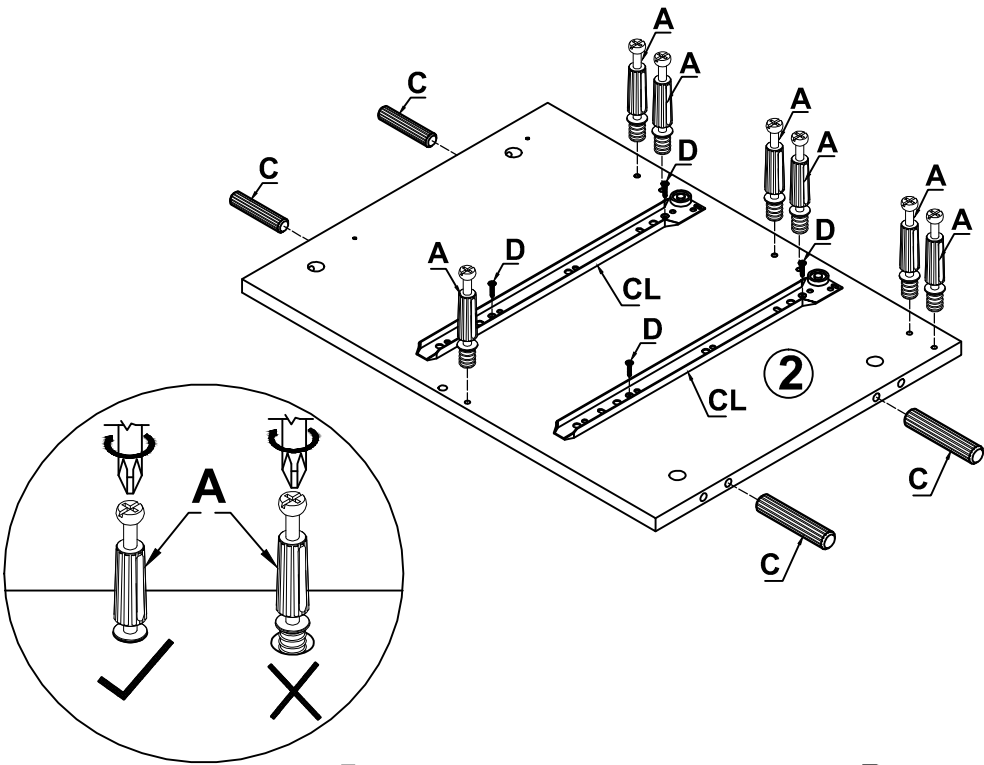
## Step 5

A=7	C=4
	
Peg	Dowel
CR=2	D=4
	
Drawer Runner	Screw M3.5*14mm



## Step 6

A=7	C=4
	
Peg	Dowel
CL=2	D=4
	
Drawer Runner	Screw M3.5*14mm

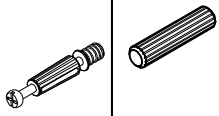


# Assembly Instruction

## Step 7

A=7

C=4

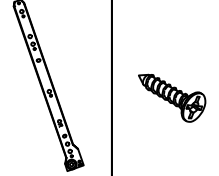


Peg

Dowel

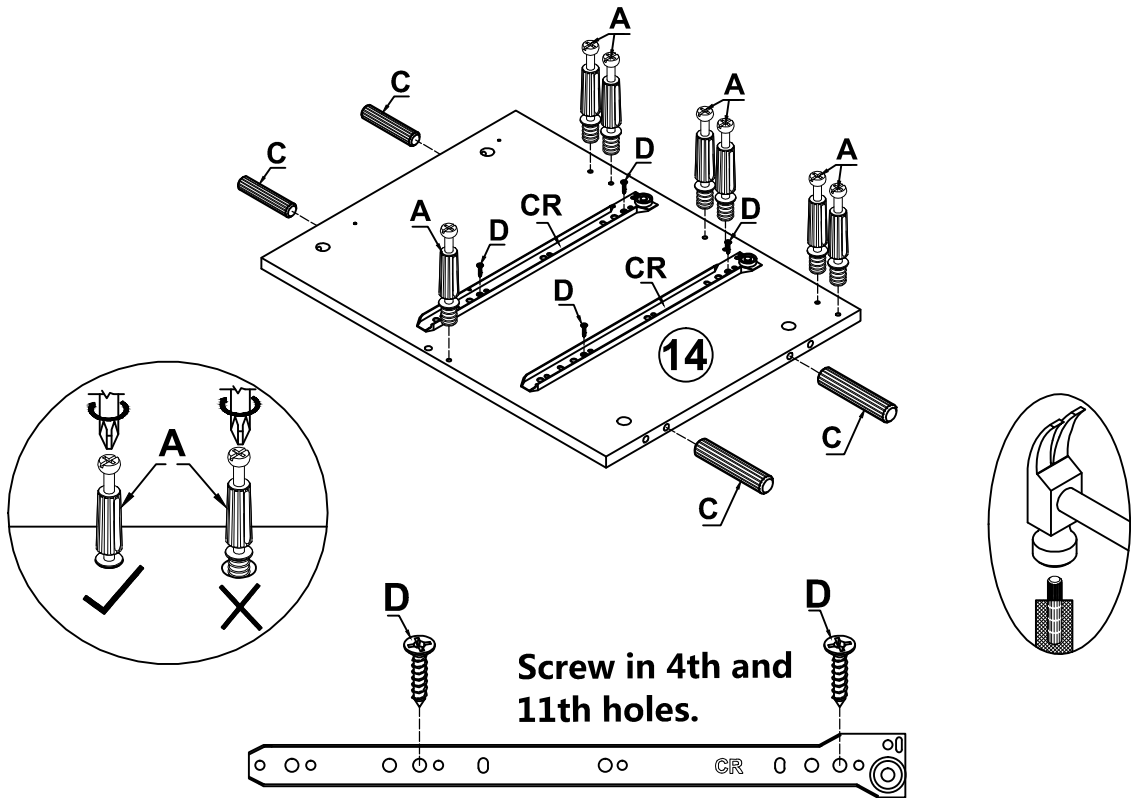
CR=2

D=4



Drawer Runner

Screw  
M3.5\*14mm

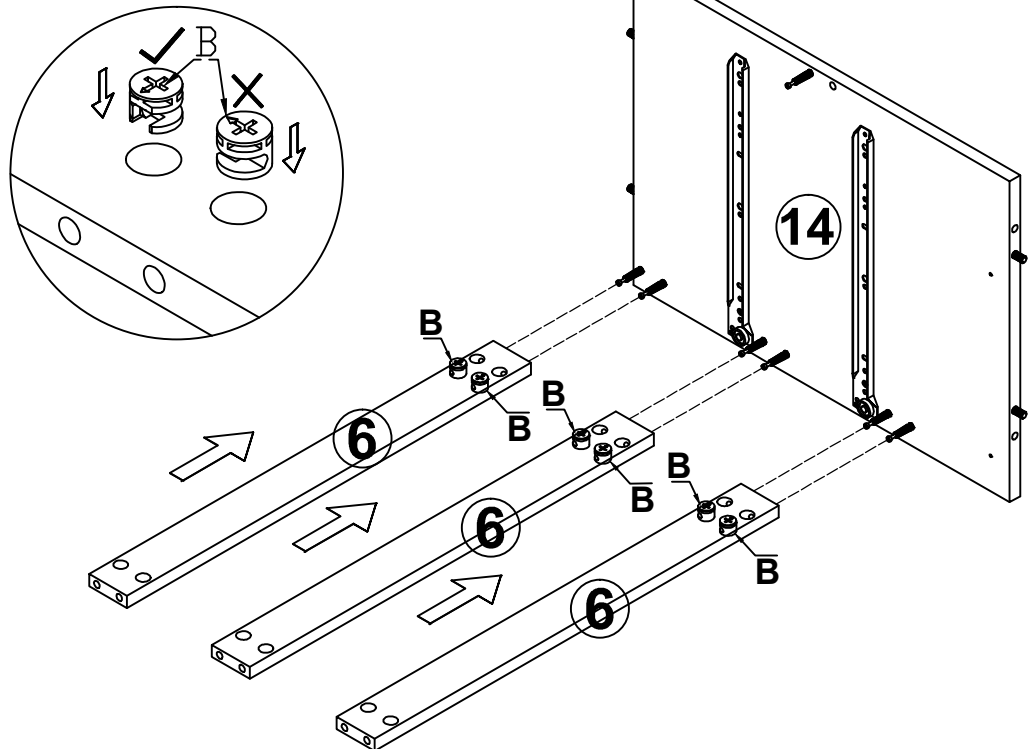


## Step 8

B=6



Lock

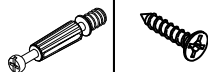


# Assembly Instruction

## Step 9

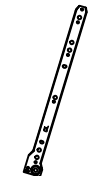
A=7

D=4

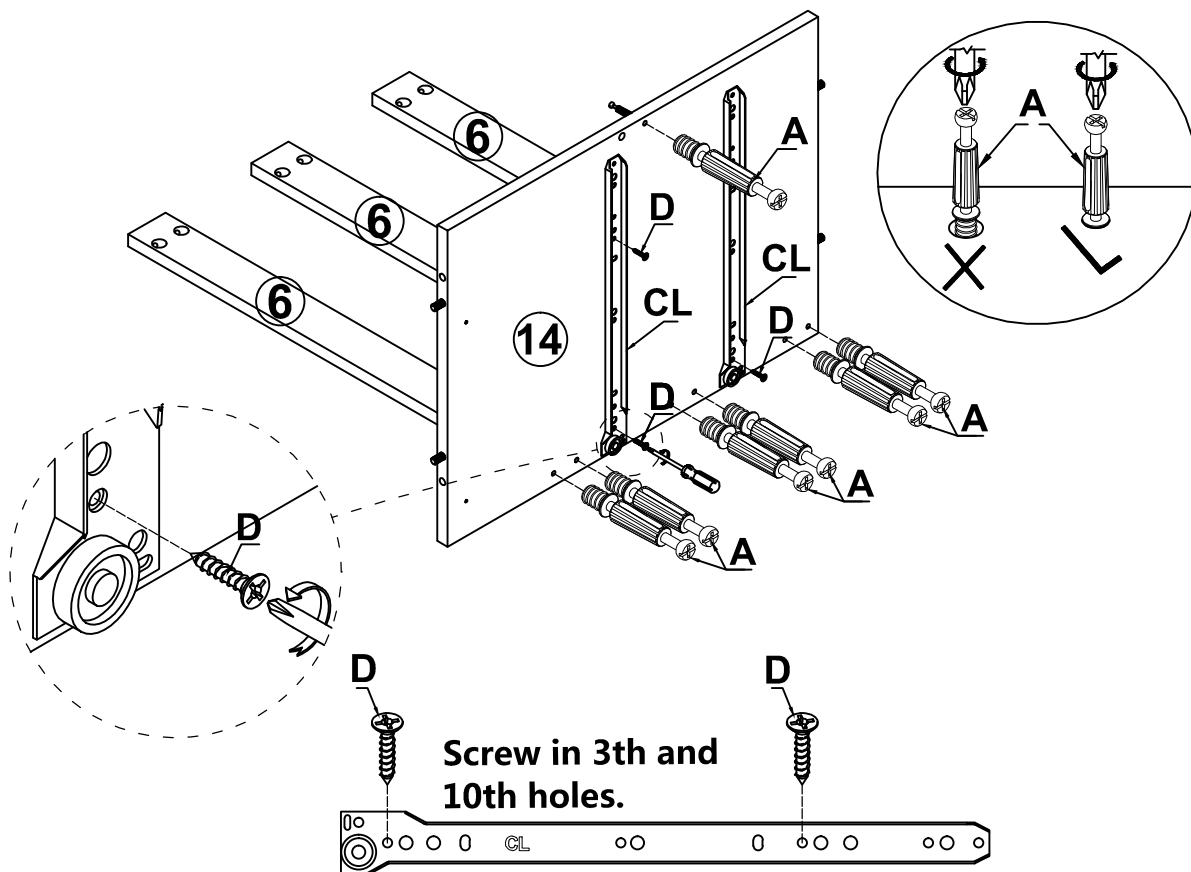


Peg  
Screw M3.5\*14mm

CL=2

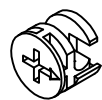


Drawer  
Runner

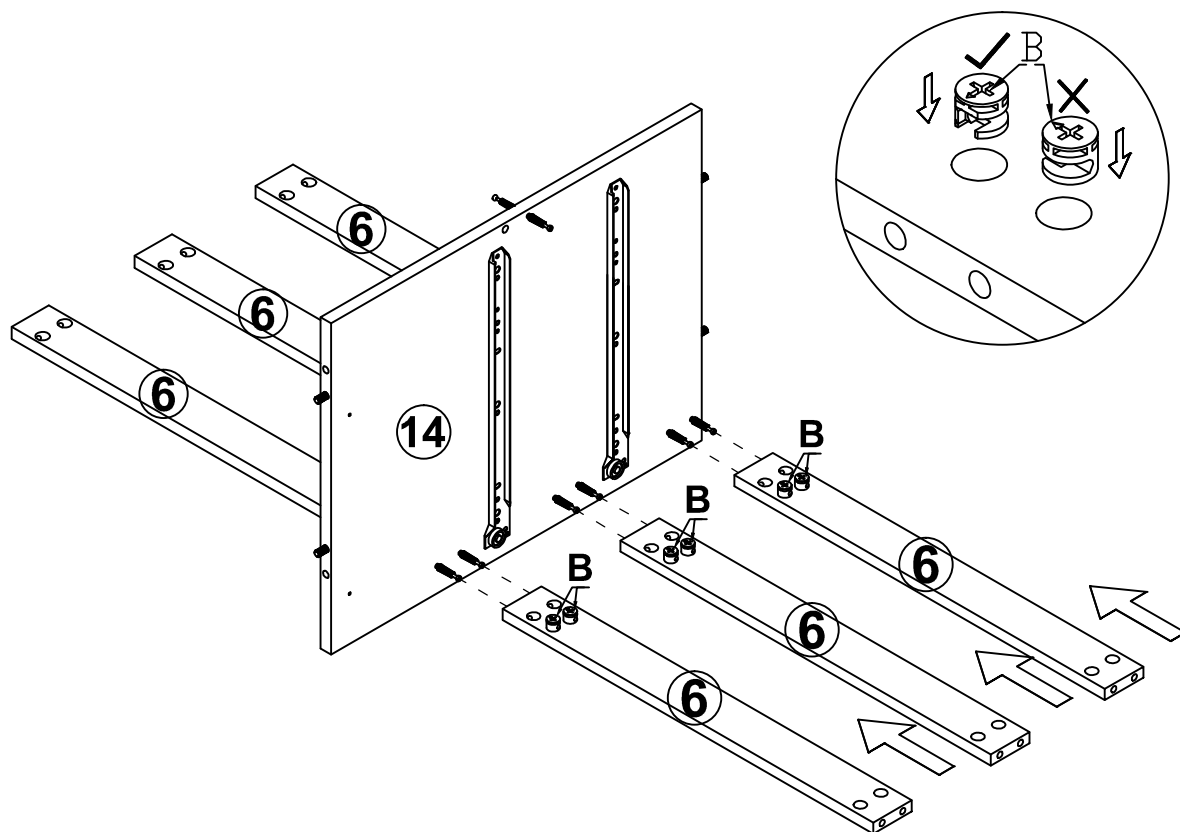


## Step 10

B=6



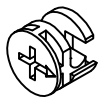
Lock



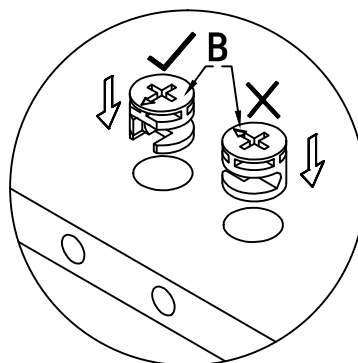
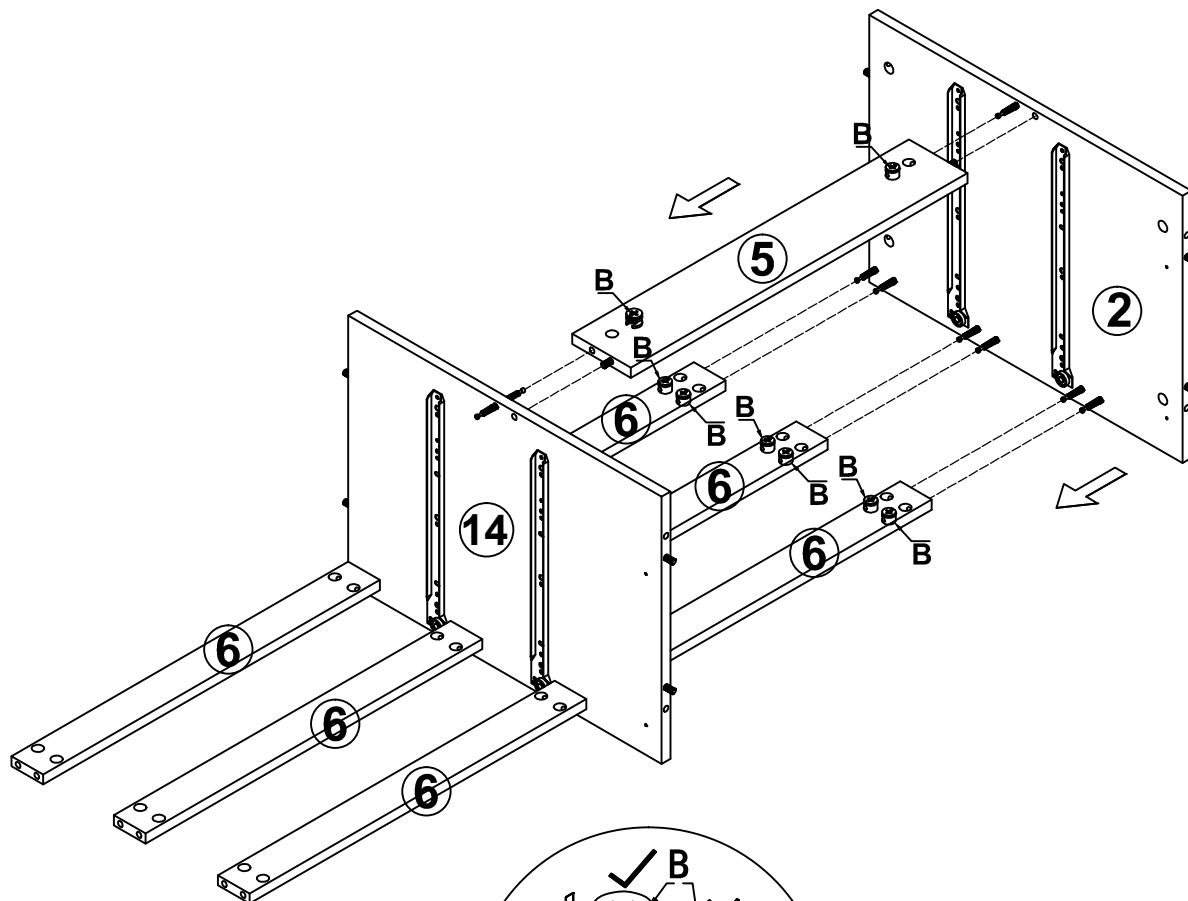
# Assembly Instruction

## Step 11

B=8



Lock

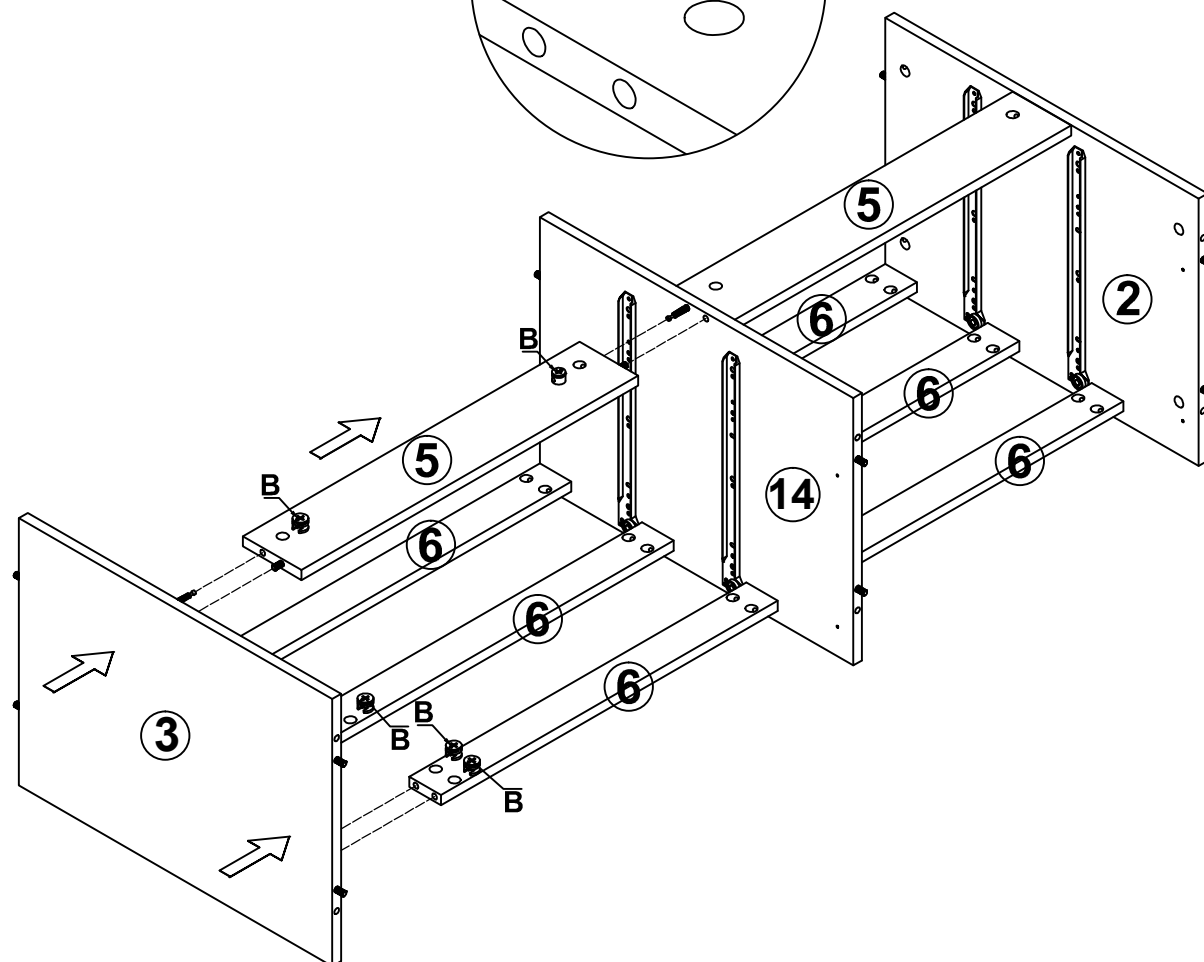


## Step 12

B=8



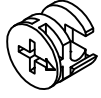
Lock



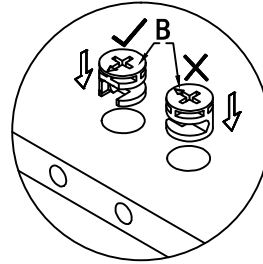
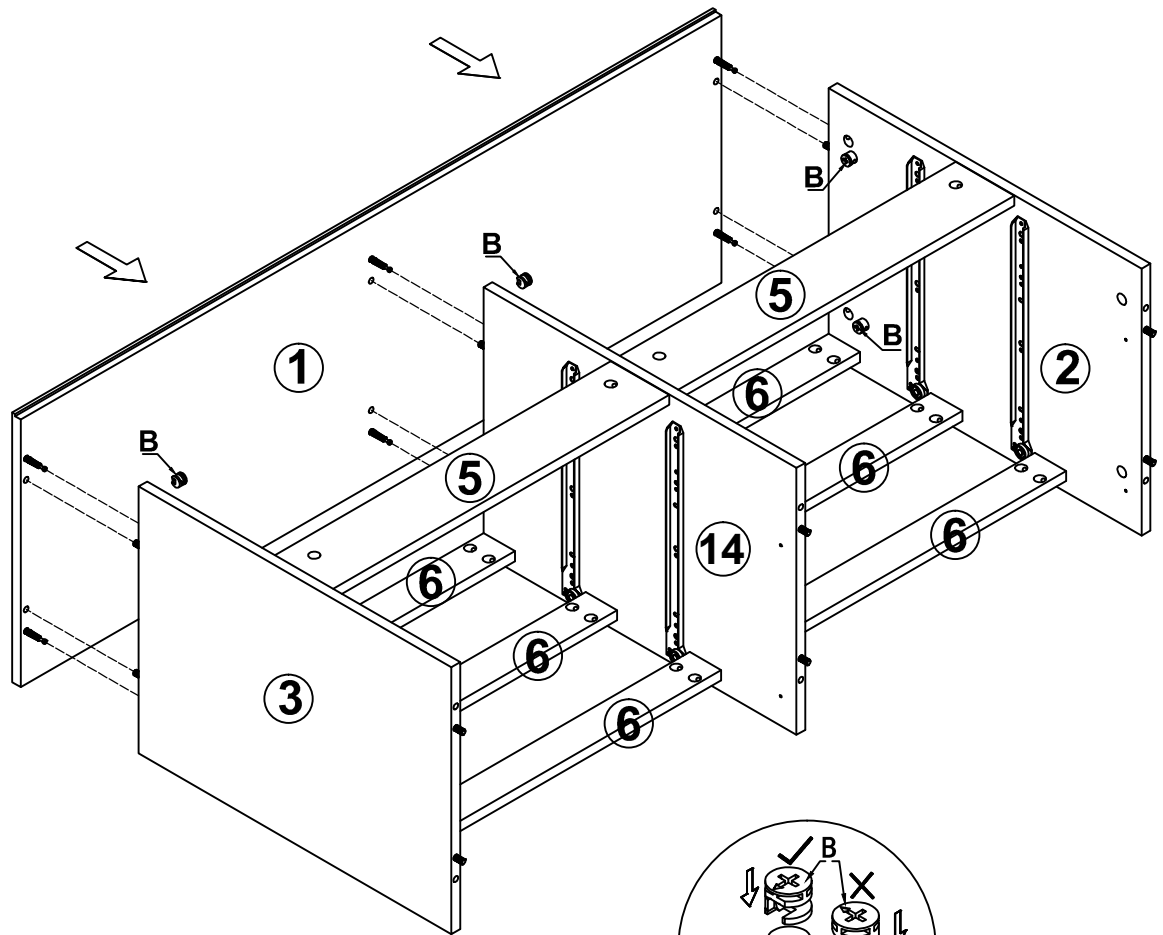
# Assembly Instruction

## Step 13

B=6



Lock

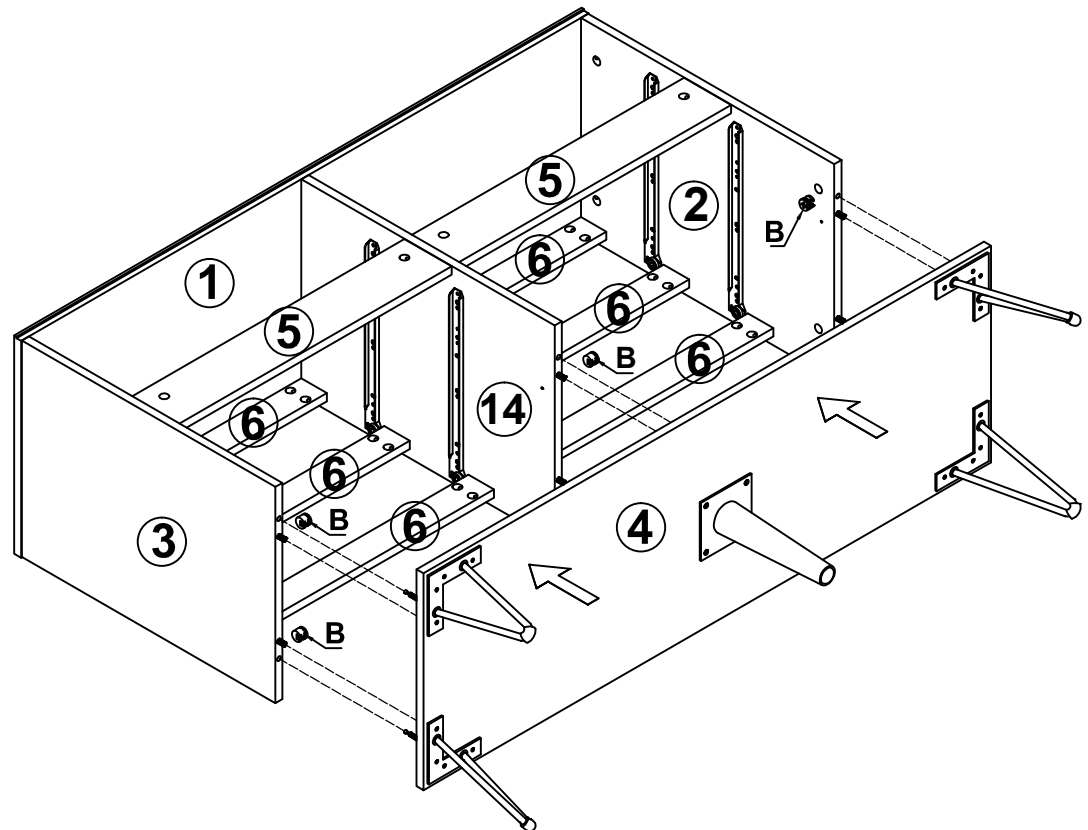


## Step 14

B=6



Lock

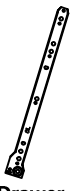


# Assembly Instruction

## Step 15

CL=2

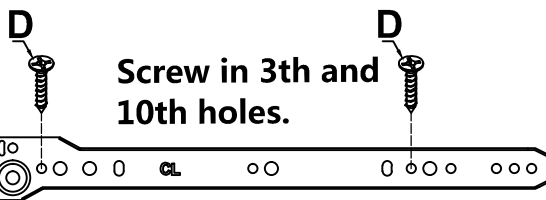
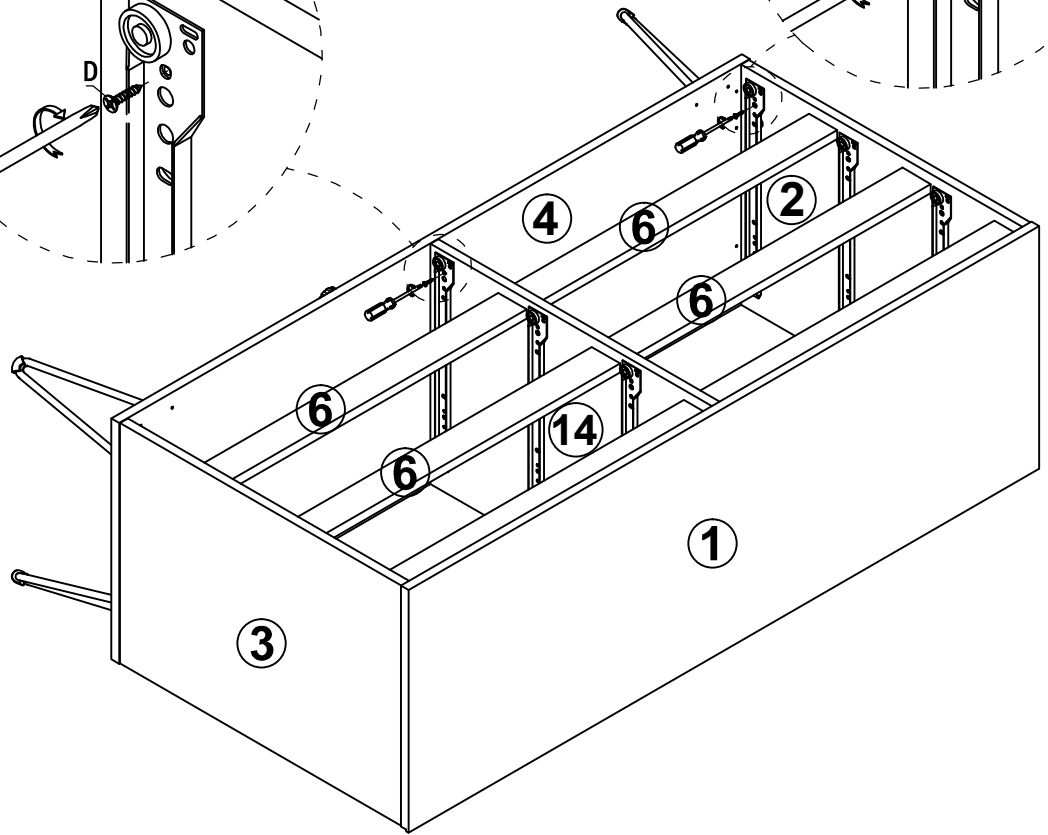
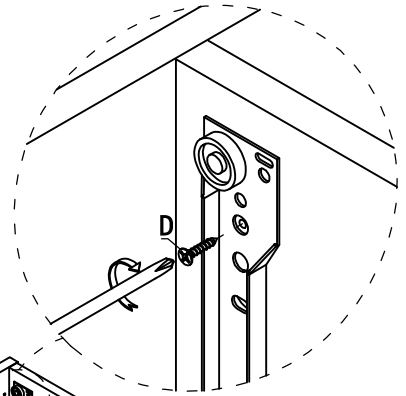
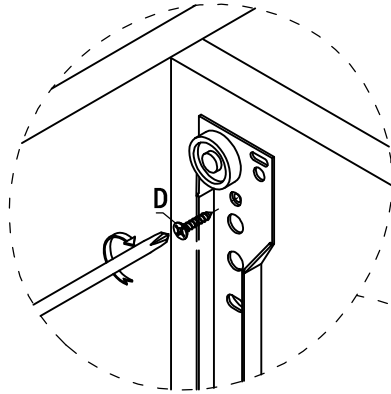
D=4



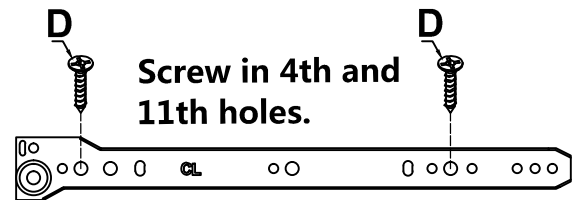
Drawer  
Runner



Screw  
M3.5\*14mm



Screw in 3th and  
10th holes.



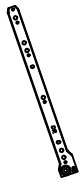
Screw in 4th and  
11th holes.

# Assembly Instruction

## Step 16

CR=2

D=4



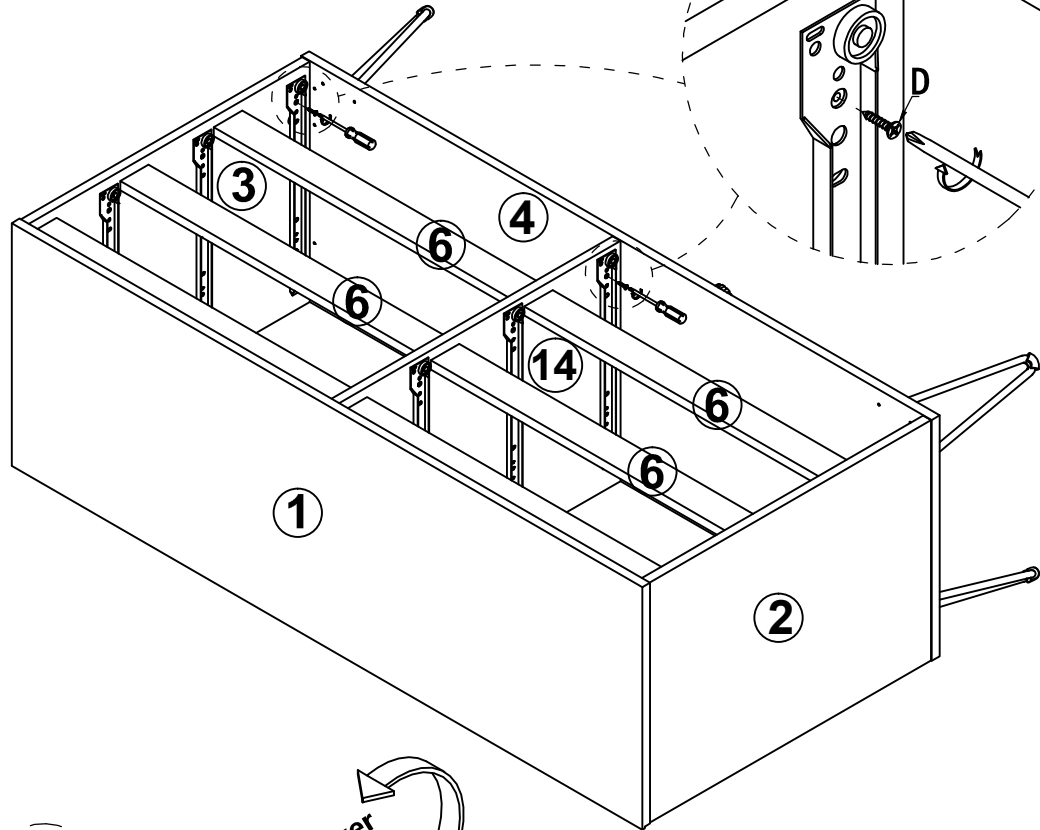
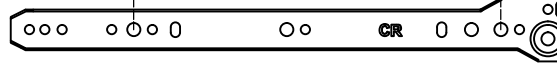
Drawer  
Runner

Screw  
M3.5\*14mm

D

Screw in 4th and  
11th holes.

D



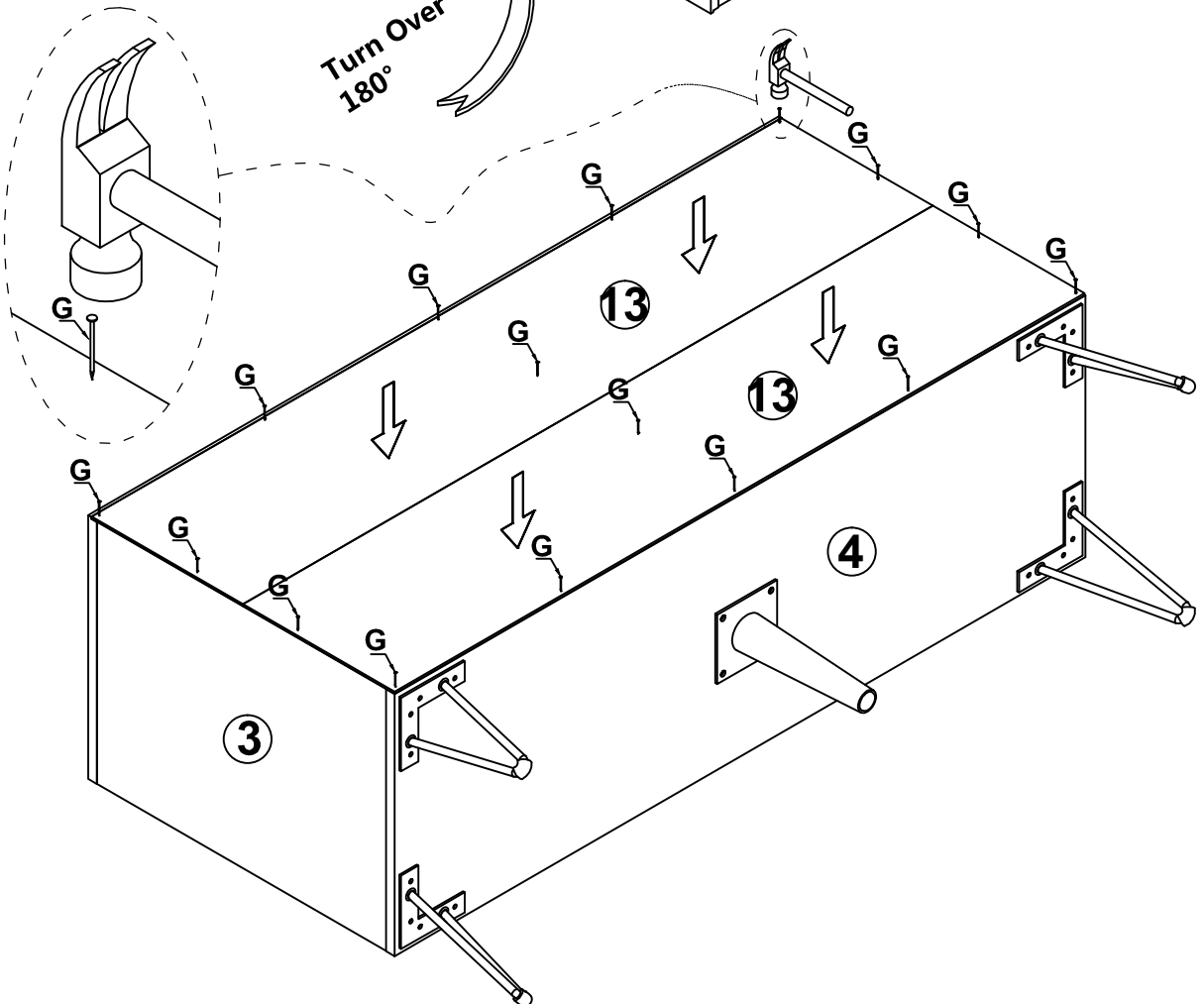
## Step 17

G=18



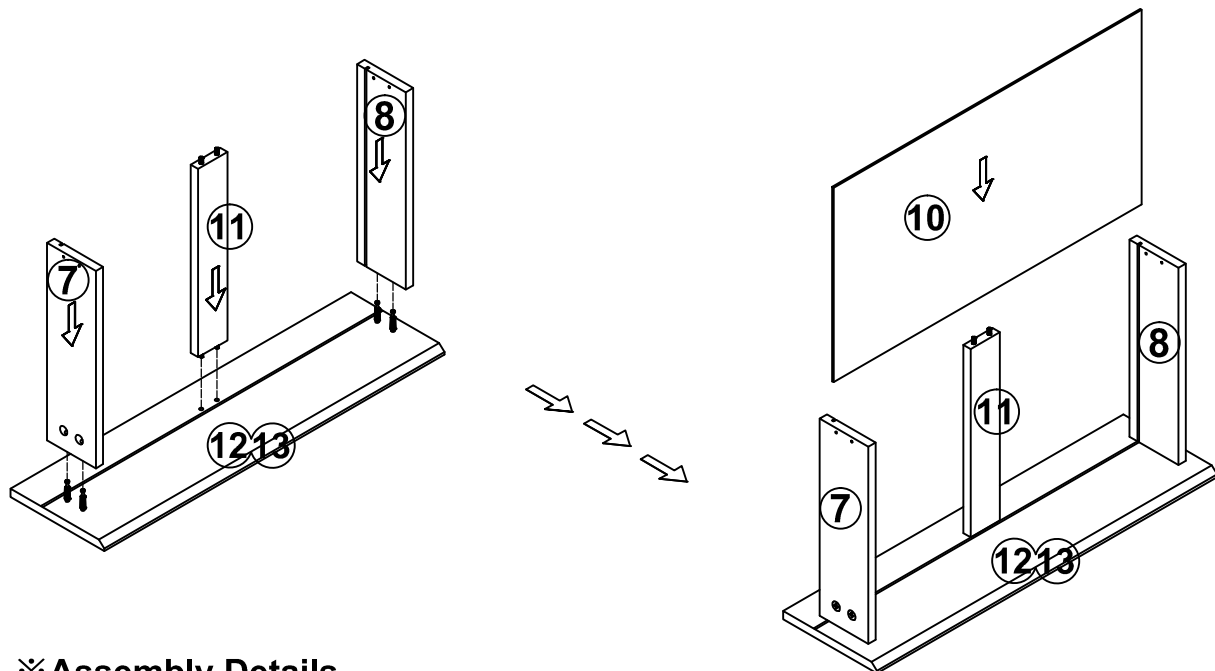
Pin

Turn Over  
180°



# Assembly Instruction

## Step 18



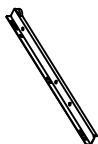
### ※Assembly Details

Please slide drawer bottom then fix the cam lock

## Step 19

DR=6

DL=6



Drawer Runner



Drawer Runner

D=24

B=24



Screw M3.5\*14mm



Lock

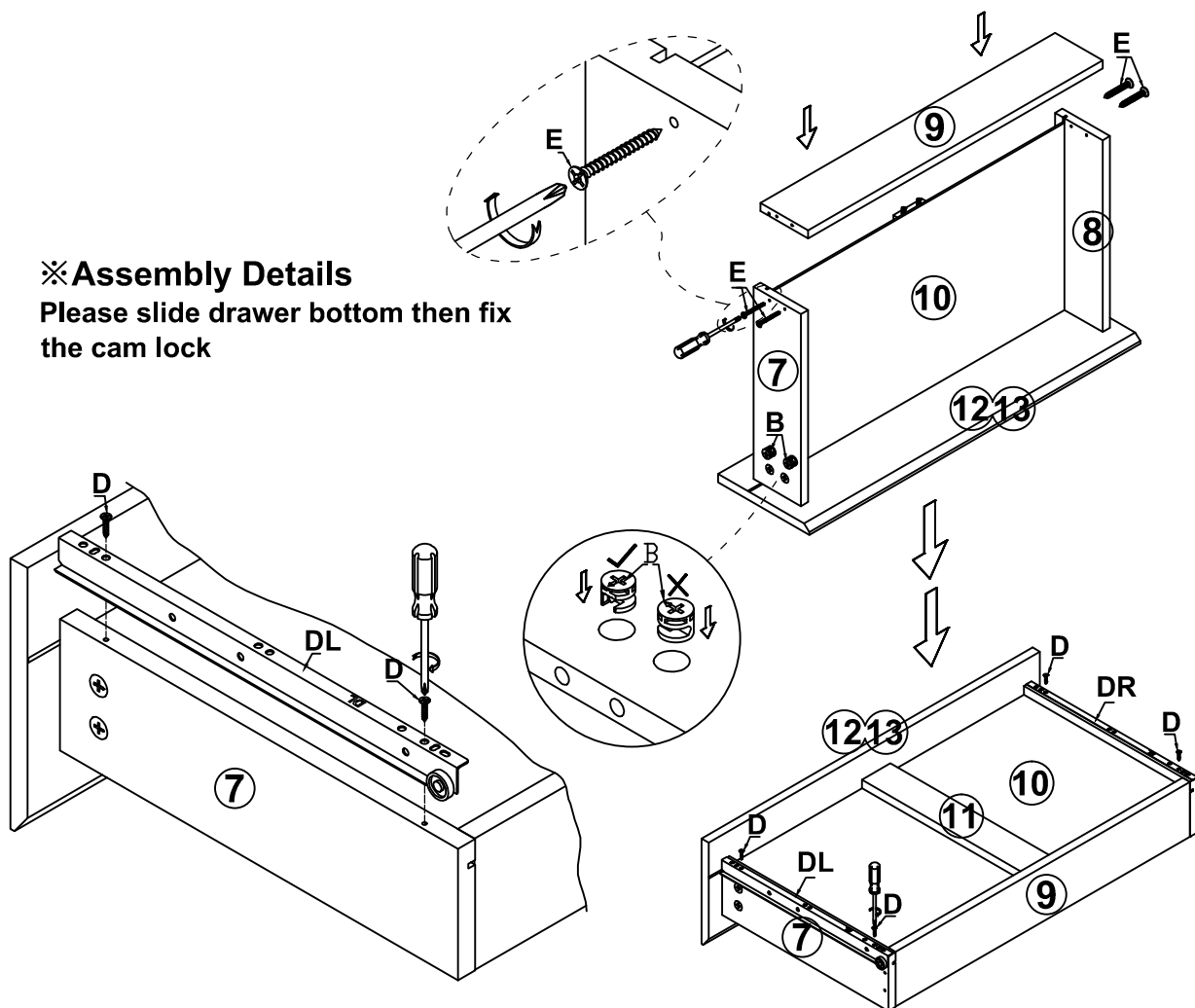
E=24



Screw M4\*38

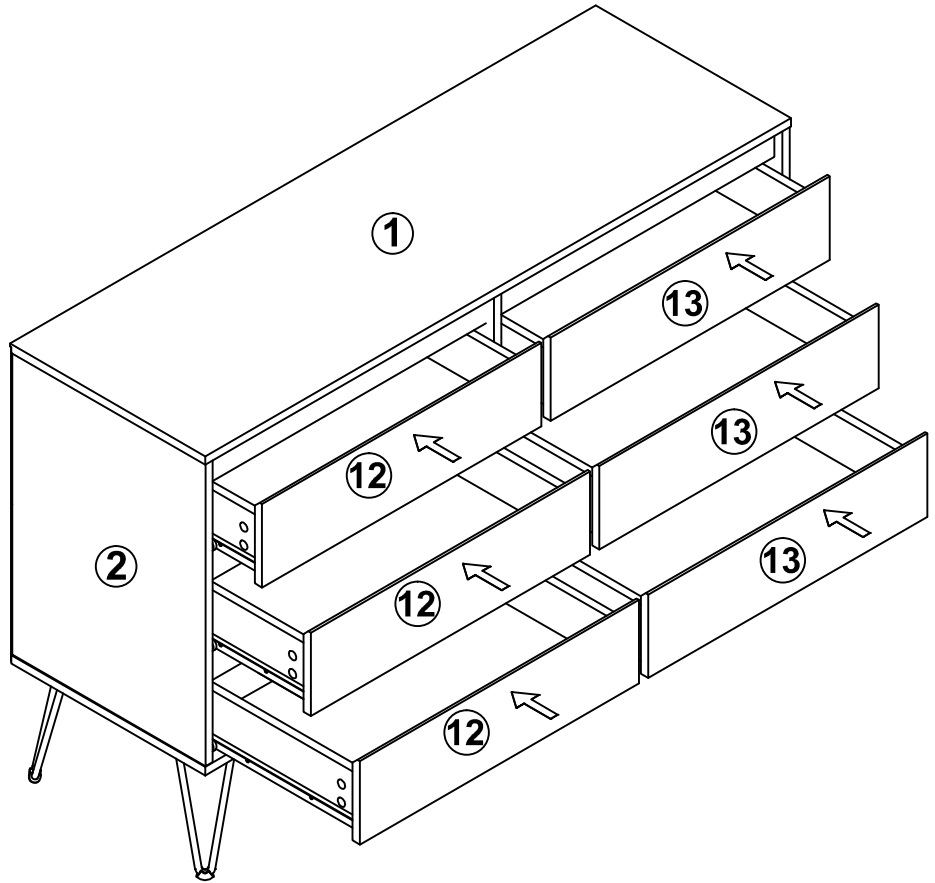
### ※Assembly Details

Please slide drawer bottom then fix the cam lock

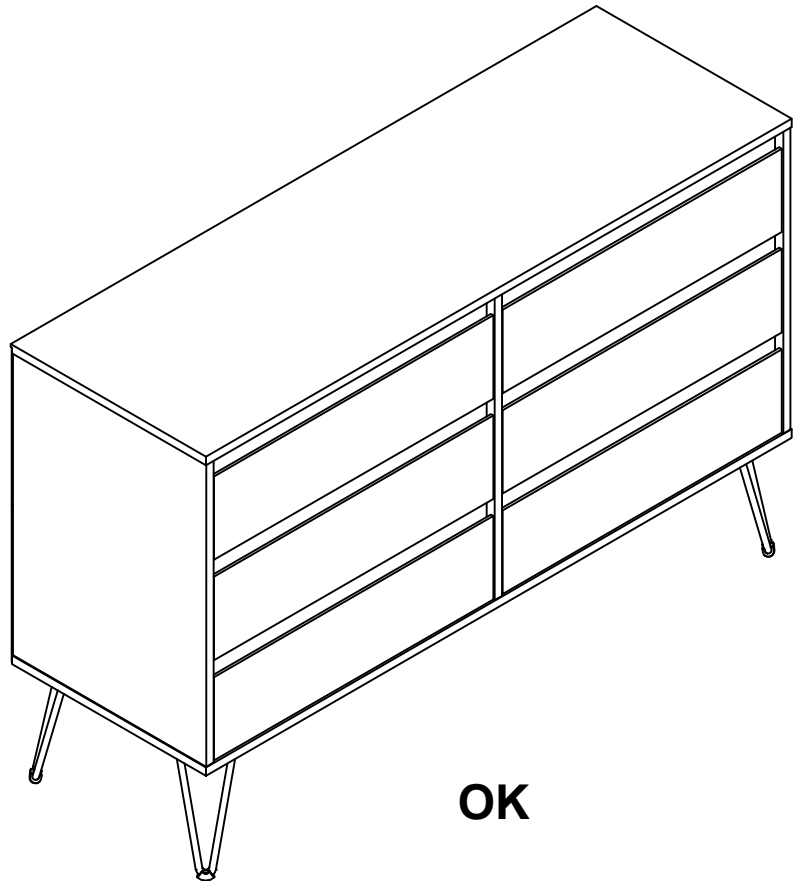


# Assembly Instruction

## Step 20



## Step 21



P=1

