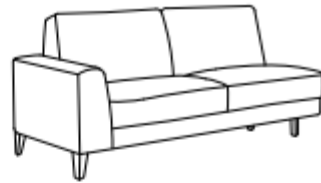


Left Loveseat Assembly Instructions

Your left loveseat comes packaged in one box.

DO NOT use any sharp objects to open plastic wrapped components as damage to product or components may result.

Carefully remove all of the components from the packaging and set aside for assembly. Assemble on a soft surface to prevent scratching the finish.



Part List		Hardware List	
A 1 X Seat		E 2 x Flat Washers	M8 x 18mm
* B 2 X Legs		* F 2 x Lock Washers	M8
* C 3 X Support Legs		* G 2 x Bolts	M8 x 115 mm
* D 3 X Plastic Washers		* H 1 X Hex Key	M5
		* Replaceable Parts	
		Legs and Hardware under the seat	

Assembly

Step 1

Once the legs are assembled, lift the furniture fully off the ground and set on the floor.

Your loveseat style may differ from images. Care for your furniture by periodically tightening all legs and periodically tightening all bolts using the included hex key.

CAUTION: Tighten all components securely before use. Failure to do so may result in personal injury.

What to expect:

- Softening of foam is natural and will happen over time with use.
- Fabric will fade or discolor in direct sunlight. Minimize exposure to direct sunlight to extend the life of your furniture.
- Wood grain, knots, streaks, and color variation occur naturally in wood and are not considered defects.

Right Chaise Assembly Instructions

Your right chaise comes packaged in one box.

DO NOT use any sharp objects to open plastic wrapped components as damage to product or components may result.

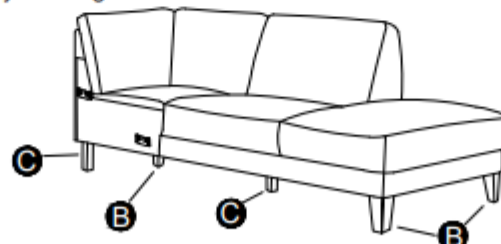
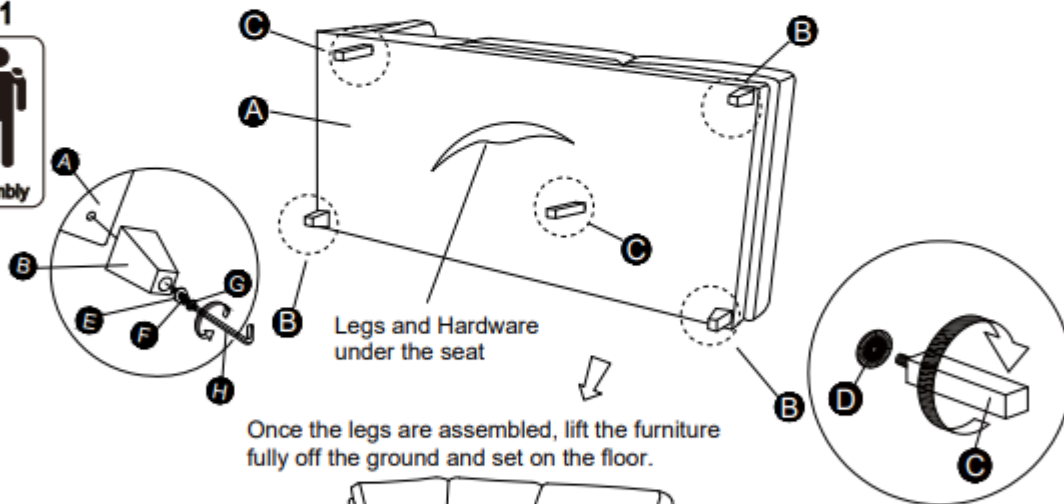
Carefully remove all of the components from the packaging and set aside for assembly. Assemble on a soft surface to prevent scratching the finish.



Part List		Hardware List	
<p>A 1 X Seat</p> <p>* B 3 X Legs</p> <p>* C 2 X Support Legs</p> <p>* D 2 X Plastic Washers</p>		<p>* E 3 X Flat Washers</p> <p>* F 3 X Lock Washers</p> <p>* G 3 X Bolts</p>	<p>* H 1 X Hex Key</p> <p>* Replaceable Parts</p> <p>Legs and Hardware under the seat</p>
		<p>⊙</p> <p>M8 x 18mm</p> <p>⊙</p> <p>M8</p> <p>⚙</p> <p>M8 x 115 mm</p>	<p>└─┬─┘</p> <p>M5</p>

Assembly

Step 1



Your style may differ from images. Care for your furniture by periodically tightening all legs and periodically tightening all bolts using the included hex key.

CAUTION: Tighten all components securely before use. Failure to do so may result in personal injury.

What to expect:

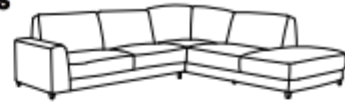
- Softening of foam is natural and will happen over time with use.
- Fabric will fade or discolor in direct sunlight. Minimize exposure to direct sunlight to extend the life of your furniture.
- Wood grain, knots, streaks, and color variation occur naturally in wood and are not considered defects.

Sectional Assembly Instructions

Your sectional comes packaged in two boxes.

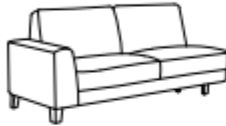
DO NOT use any sharp objects to open plastic wrapped components as damage to product or components may result.

Carefully remove all of the components from the packaging and set aside for assembly. Assemble on a soft surface to prevent scratching the finish.



Parts List

A 1 x Left Loveseat

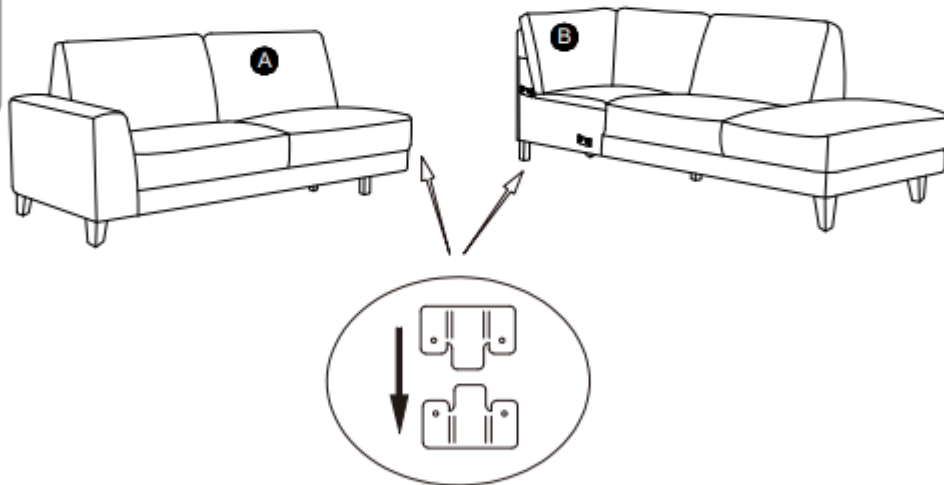


B 1 x Right Chaise



Assembly

Step 1



Your style may differ from images. Care for your furniture by periodically tightening all legs and periodically tightening all bolts using the included hex key.

What to expect:

- Softening of foam is natural and will happen over time with use.
- Fabric will fade or discolor in direct sunlight. Minimize exposure to direct sunlight to extend the life of your furniture.
- Wood grain, knots, streaks, and color variation occur naturally in wood and are not considered defects.

CAUTION: Tighten all components securely before use. Failure to do so may result in personal injury.