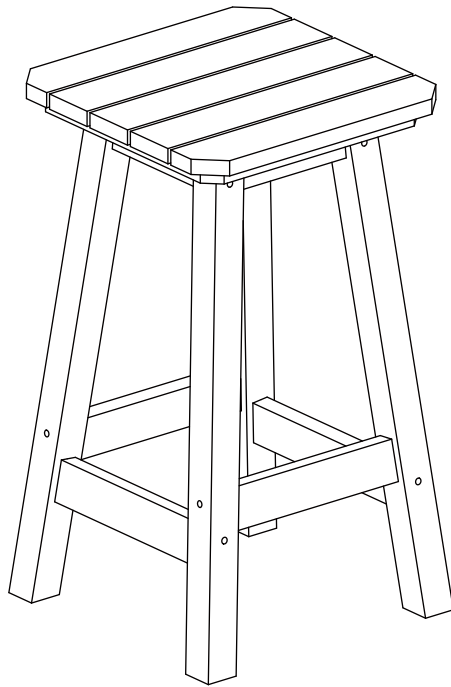


# INSTRUCTION MANUAL



**24" Square Counter Stool**

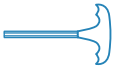
**V1.0**

## ! NOTICE

### Do not overtighten screws. (Insert all screws before tighten screws.)

- Please do not exceed the weight limitations of this item.
- Do not stand on or use any part of this item as a step ladder.
- Firmly secure all bolts, screws and nuts before use.
- Reconfirm that all bolts, screws, and nuts are secure every 90 days.
- Do not use or store this item in the proximity of open flame or flammable/combustible chemicals.
- Be aware that some parts are heavy and have sharp edges.
- Please adjust the speed slowly when you use electric drill for assembling to avoid screw slippage.

## TOOLS REQUIRED



ALLEN WRENCH  
(PROVIDED)



TABLE  
330 LBS  
CAPACITY



1 PERSON  
ASSEMBLY



UP TO 20MIN.  
ASSEMBLY

## HARDWARE

1

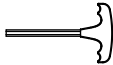
M6.3 x70mm  
BOLT



16 PCS

2

ALLEN  
WRENCH

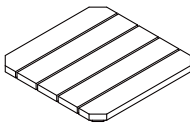


1 PC

## PARTS

A

STOOL TOP



1 PC

B

STOOL LEG I



2 PCS

C

STOOL LEG II



2 PCS

D

SHORT RAIL



2 PCS

E

LONG RAIL

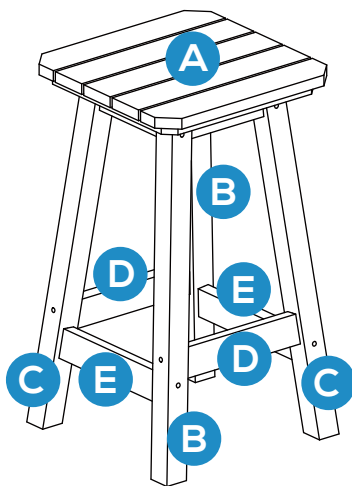


2 PCS

## PRODUCT ASSEMBLY-OVERALL VIEW

1

Look at following overall view of this table and exact position of each parts to be assembled.



## PRODUCT ASSEMBLY

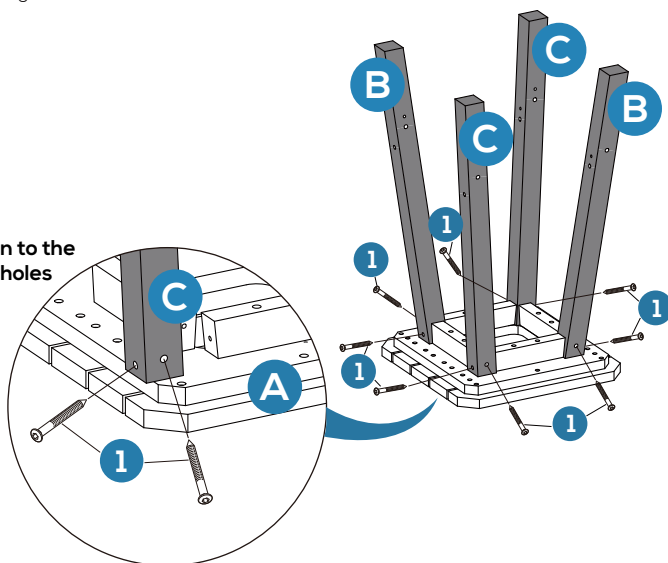
1

Attach part B&C Stool leg to part A Stool top with 8 pcs of Hardware 1 Bolt.

**Notice: Please attach the Stool Leg to the right high and low screw hole**

Do not tighten screws too much at this step.

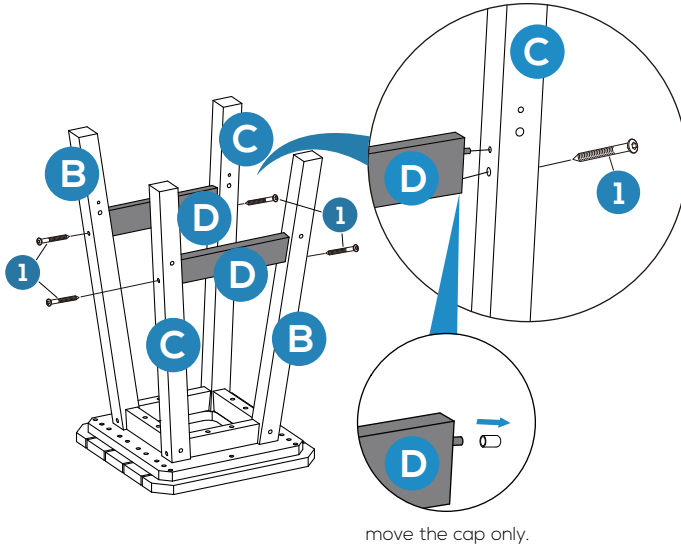
Please pay attention to the high and low screw holes before installation



## PRODUCT ASSEMBLY

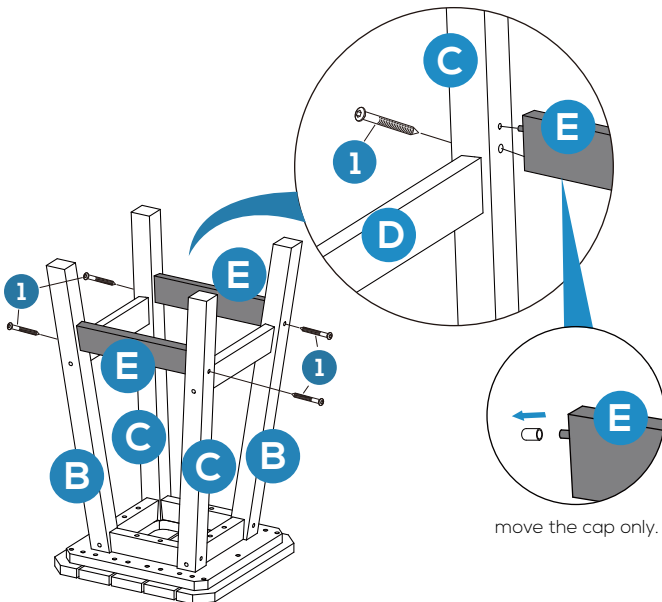
2

Remove the cap from the safety pin before you fix the part D Short Rail to part B & C Stool legs. Attach part D Short Rail to part C and part B Stool Legs with 4 pcs of Hardware 1 Bolt. Do not tighten screws too much at this step.



3

Remove the cap from the safety pin before you fix the Long Rail to Stool legs. Attach part E Long Rail to the combined legs (part C+D+B) as below with 4 PCS of Hardware 1 Bolts. Do not tighten screws too much at this step.



## PRODUCT ASSEMBLY

4

Check and tighten all the bolts and screws again and finish the assembly.

