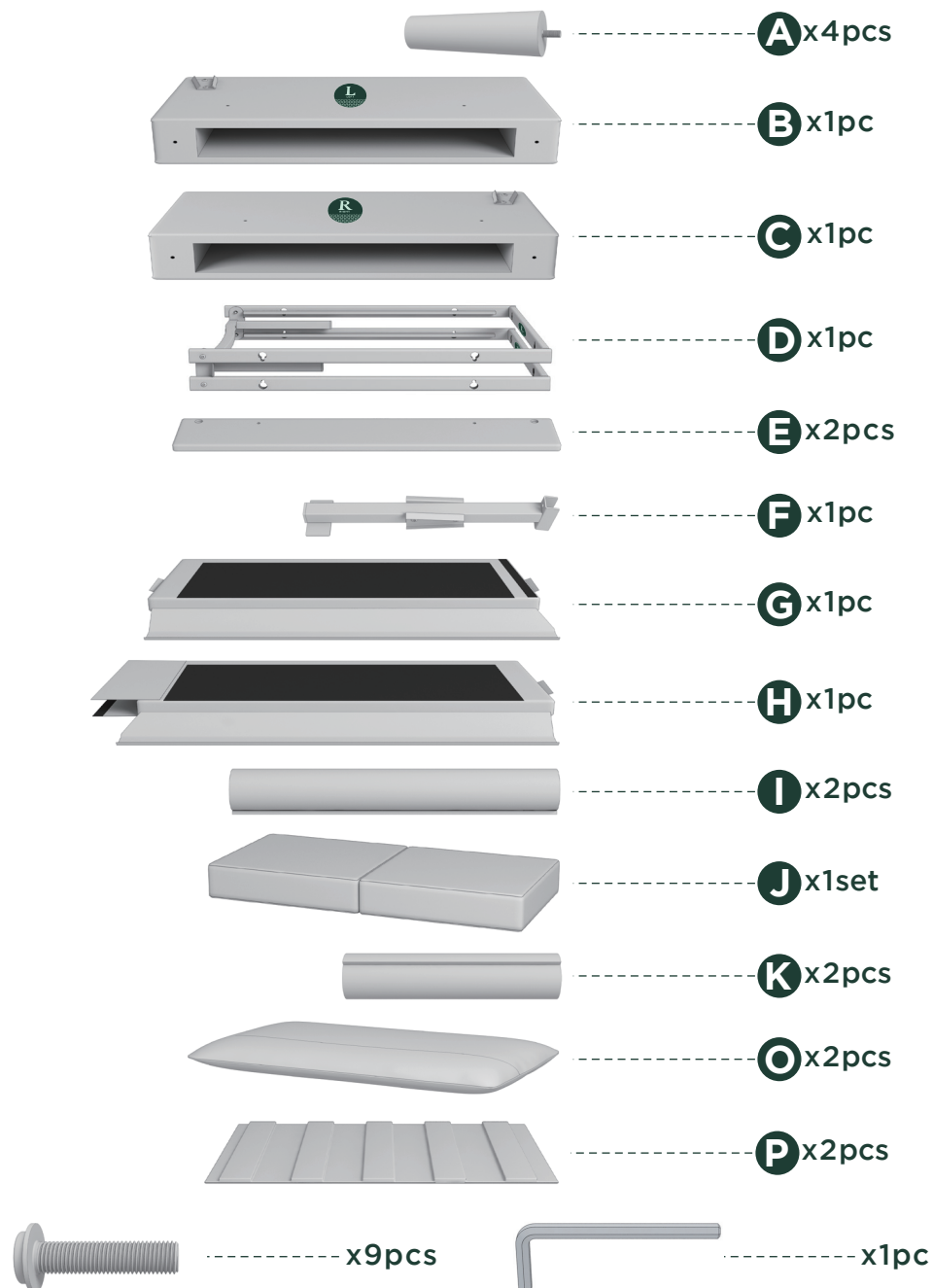


Easy as 1-2-3 Assembly Instruction

Numbers must Match for Secure Assembly



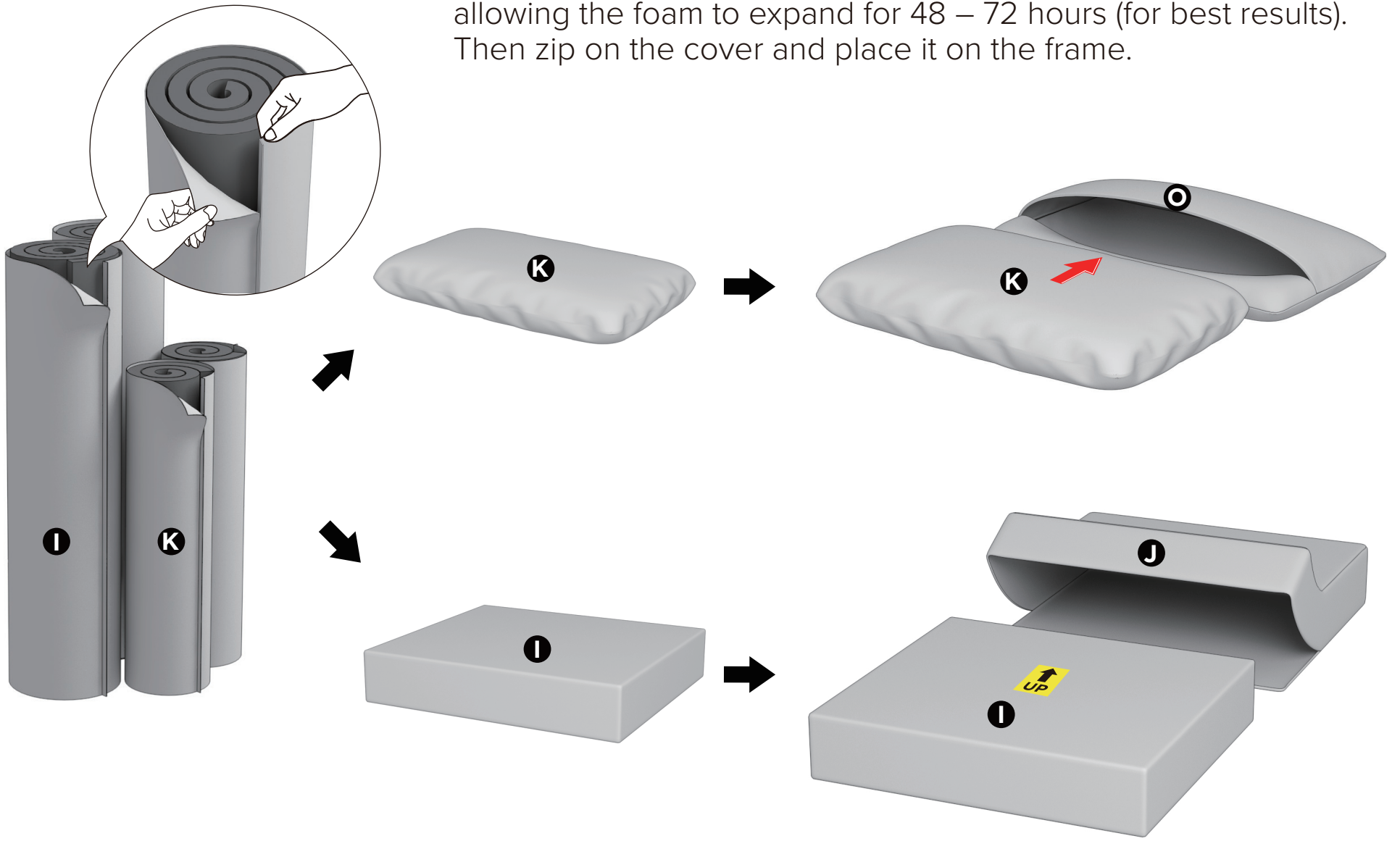
Components



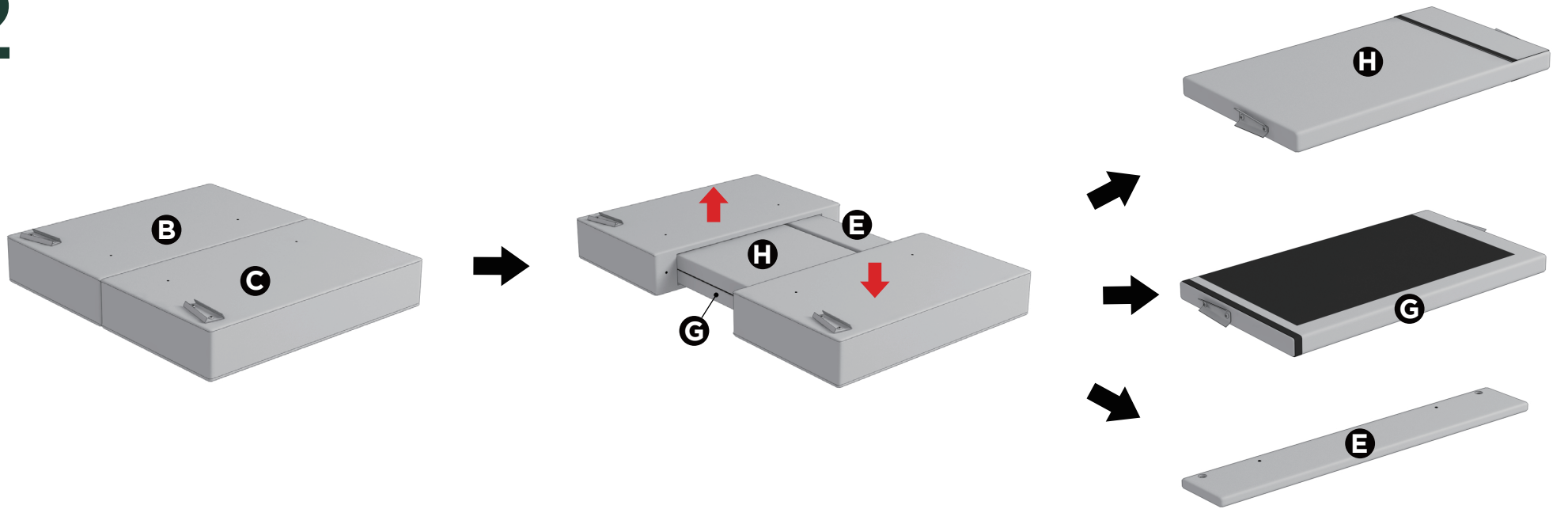
1

Tips:

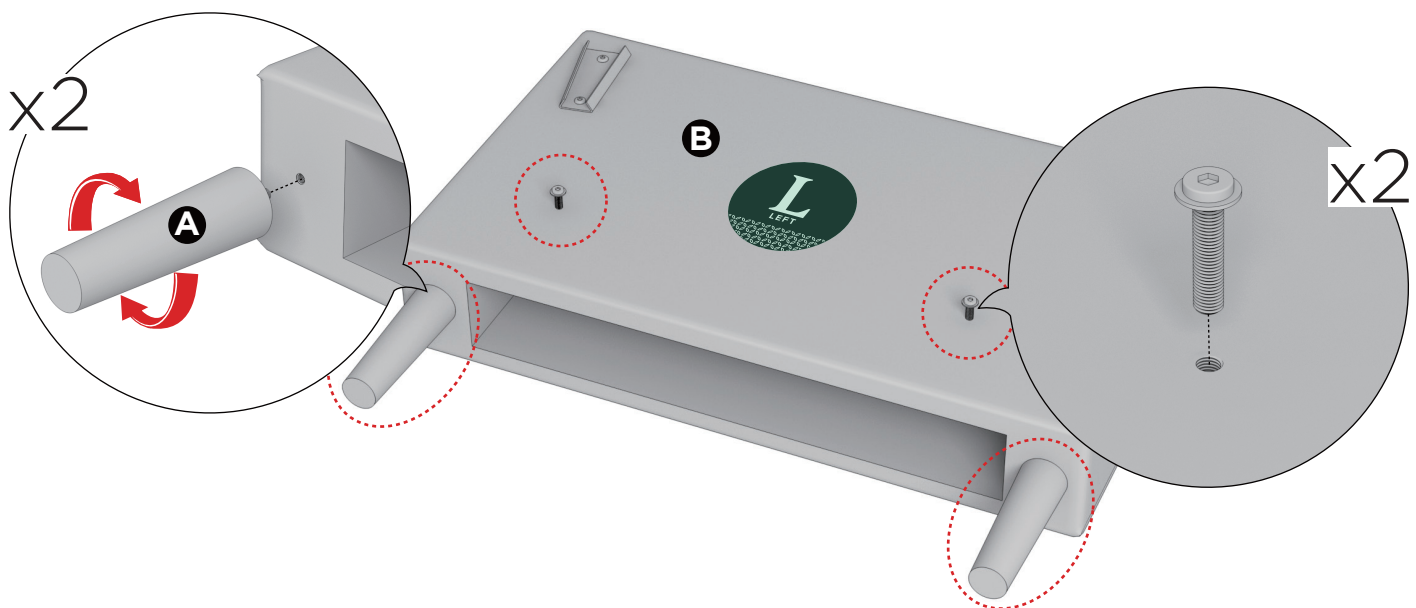
Unroll the cushion and spread it out evenly on a flat surface, allowing the foam to expand for 48 – 72 hours (for best results). Then zip on the cover and place it on the frame.



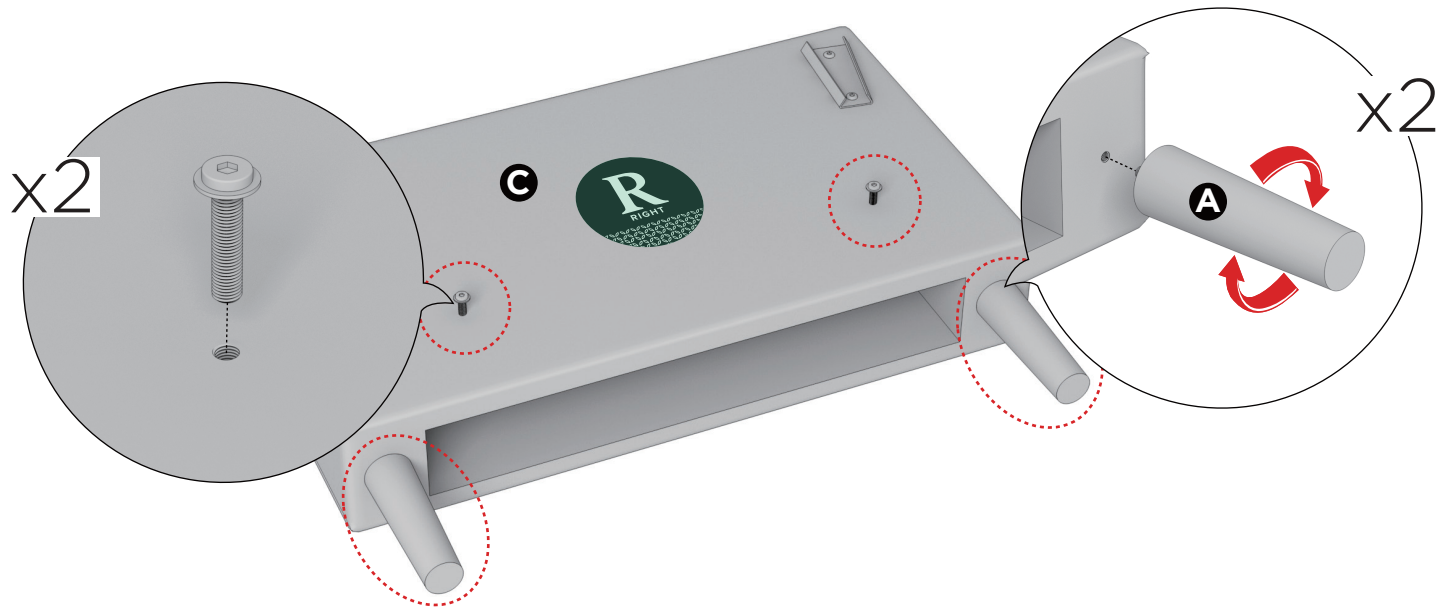
2



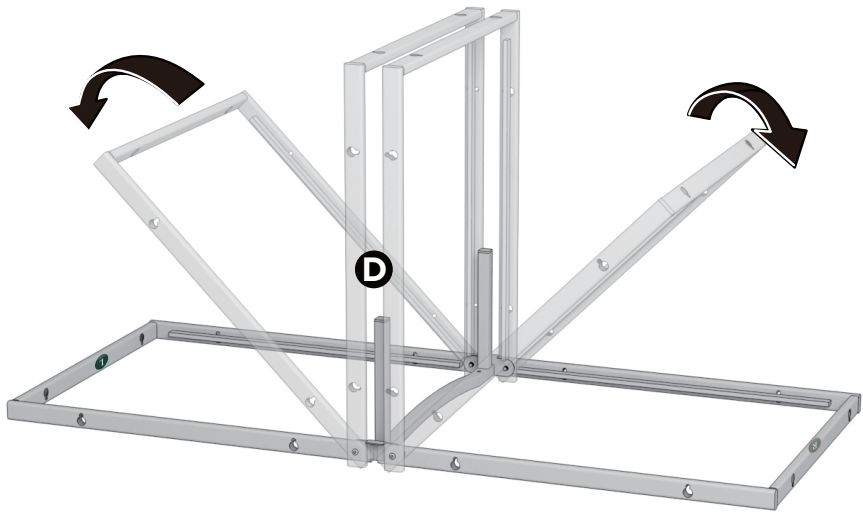
3



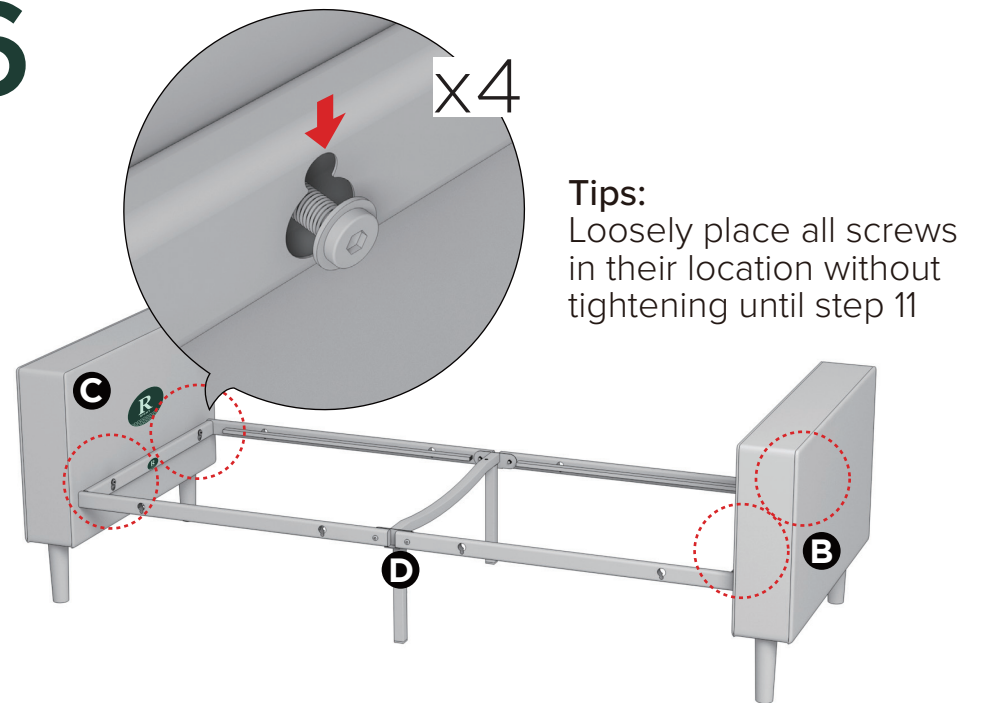
4



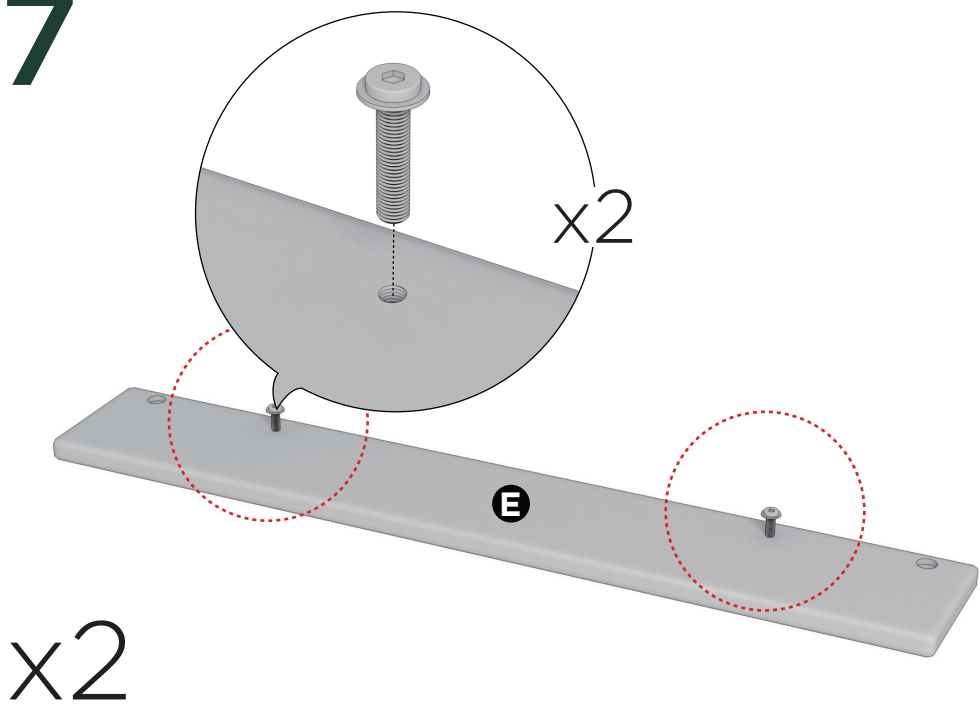
5



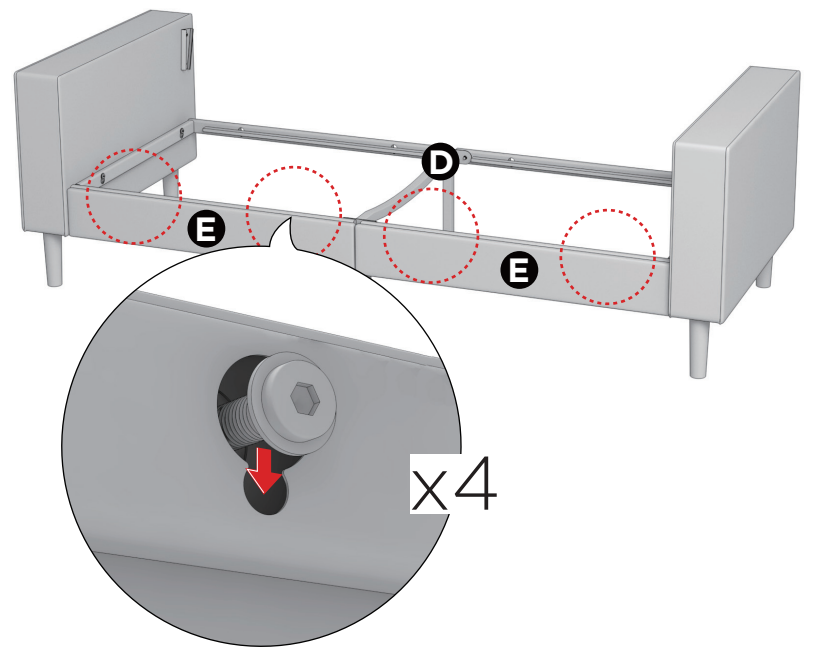
6



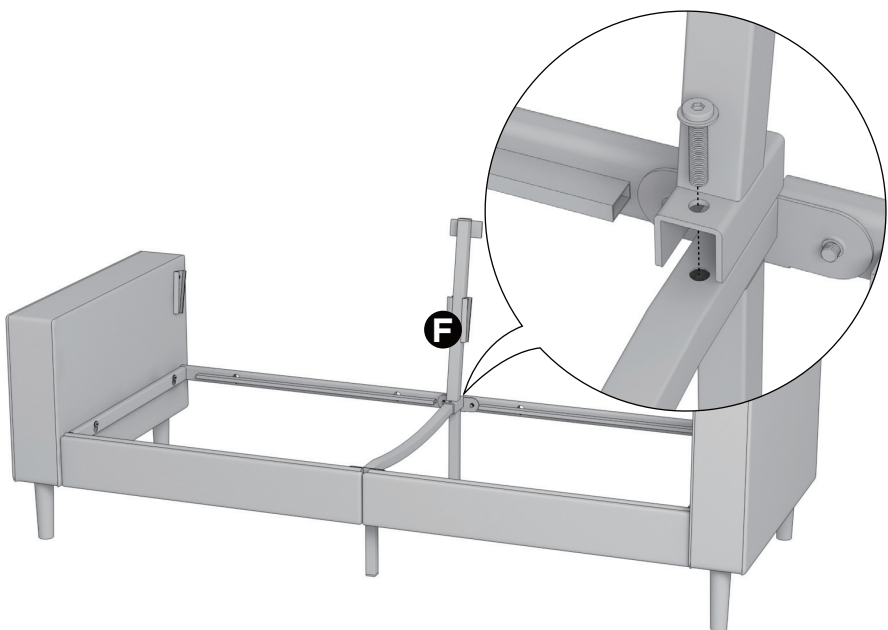
7



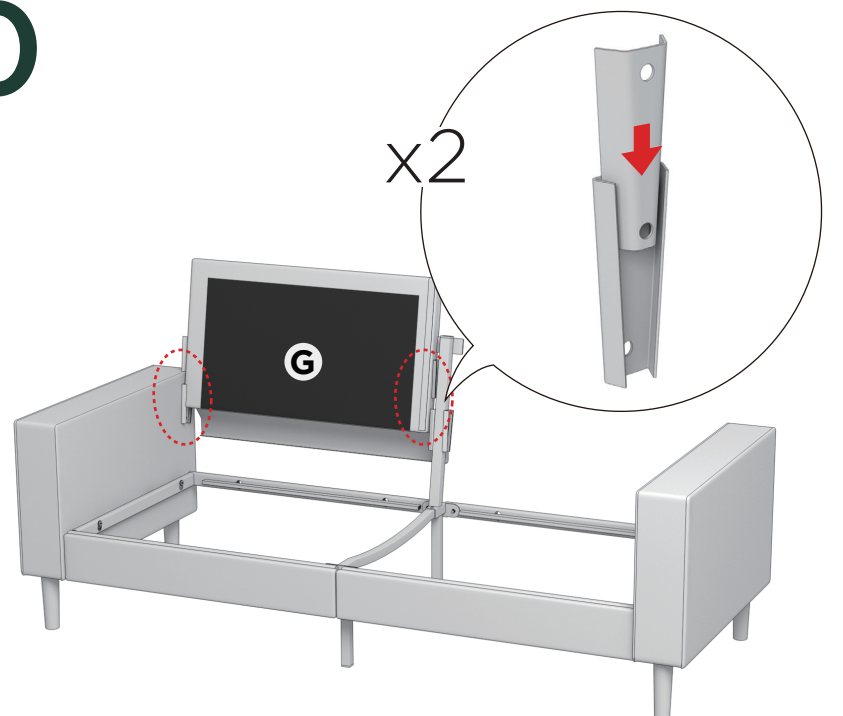
8



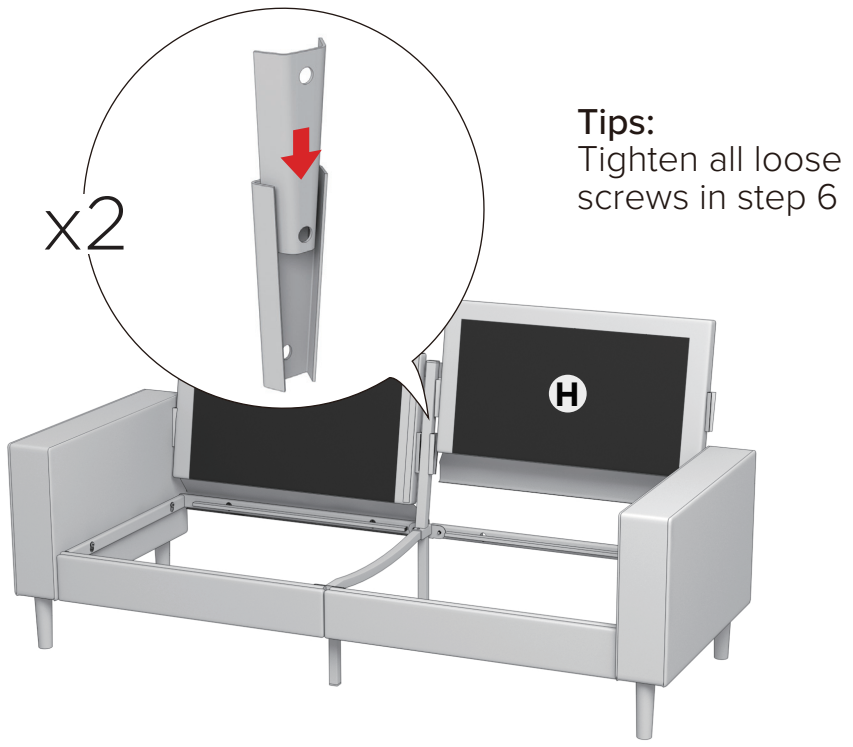
9



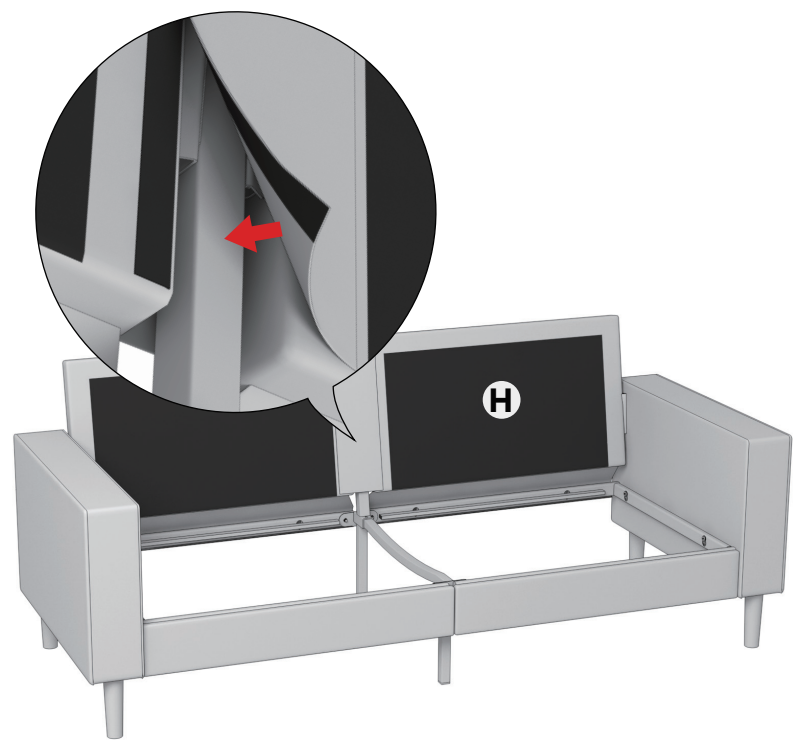
10



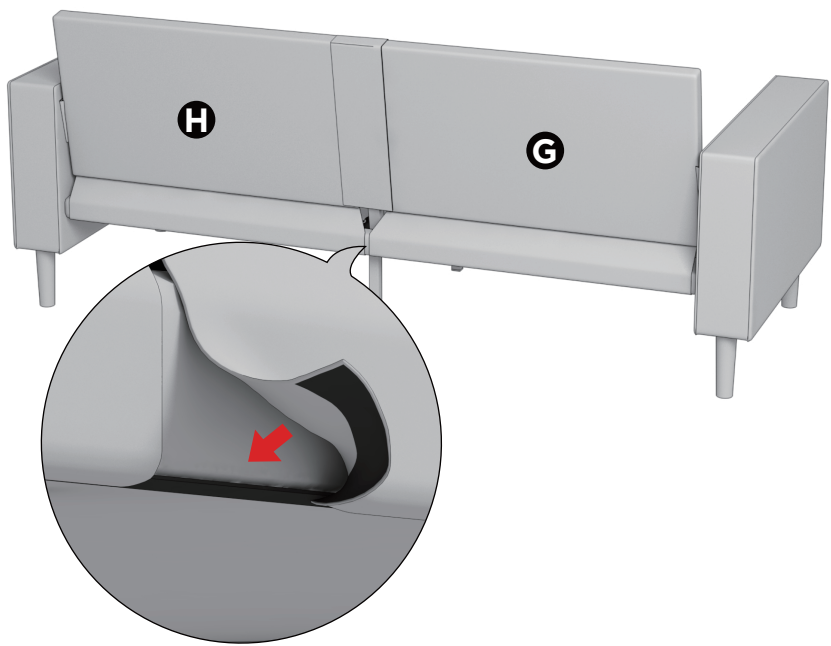
11



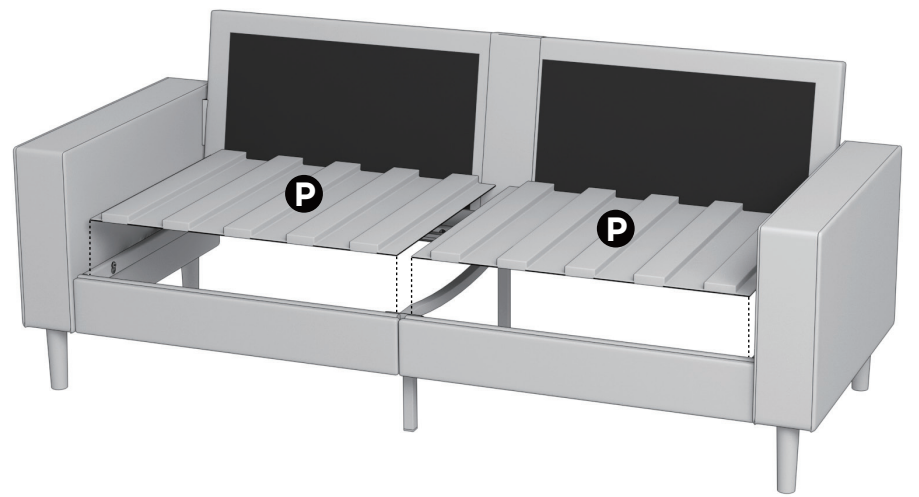
12



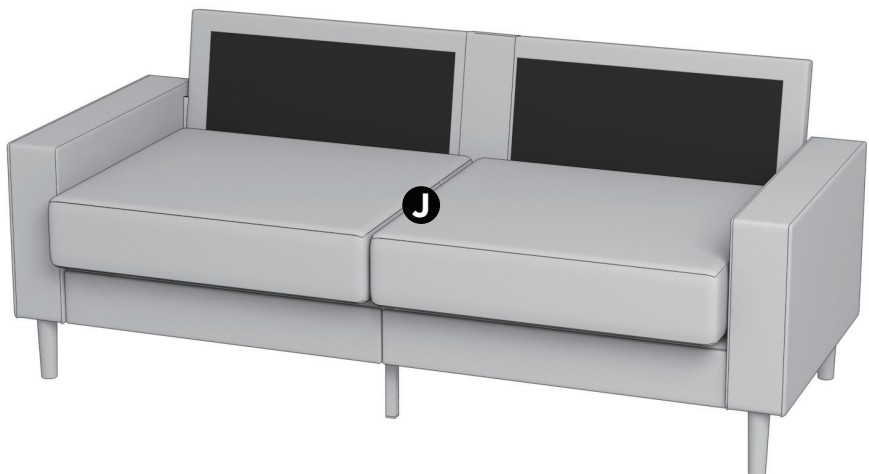
13



14



15



16

