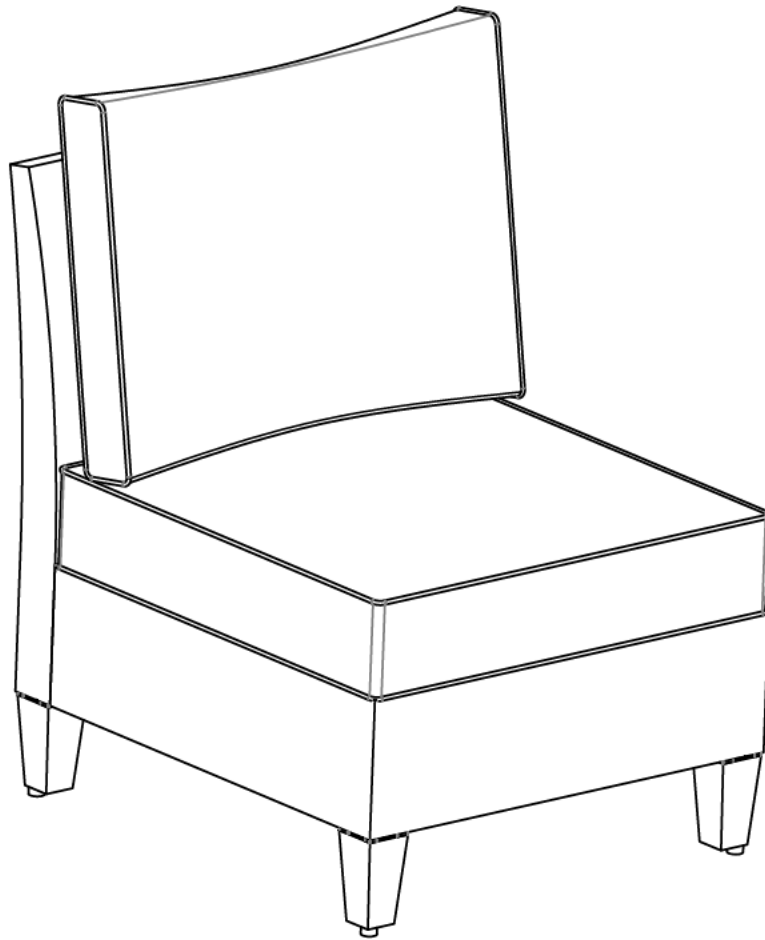


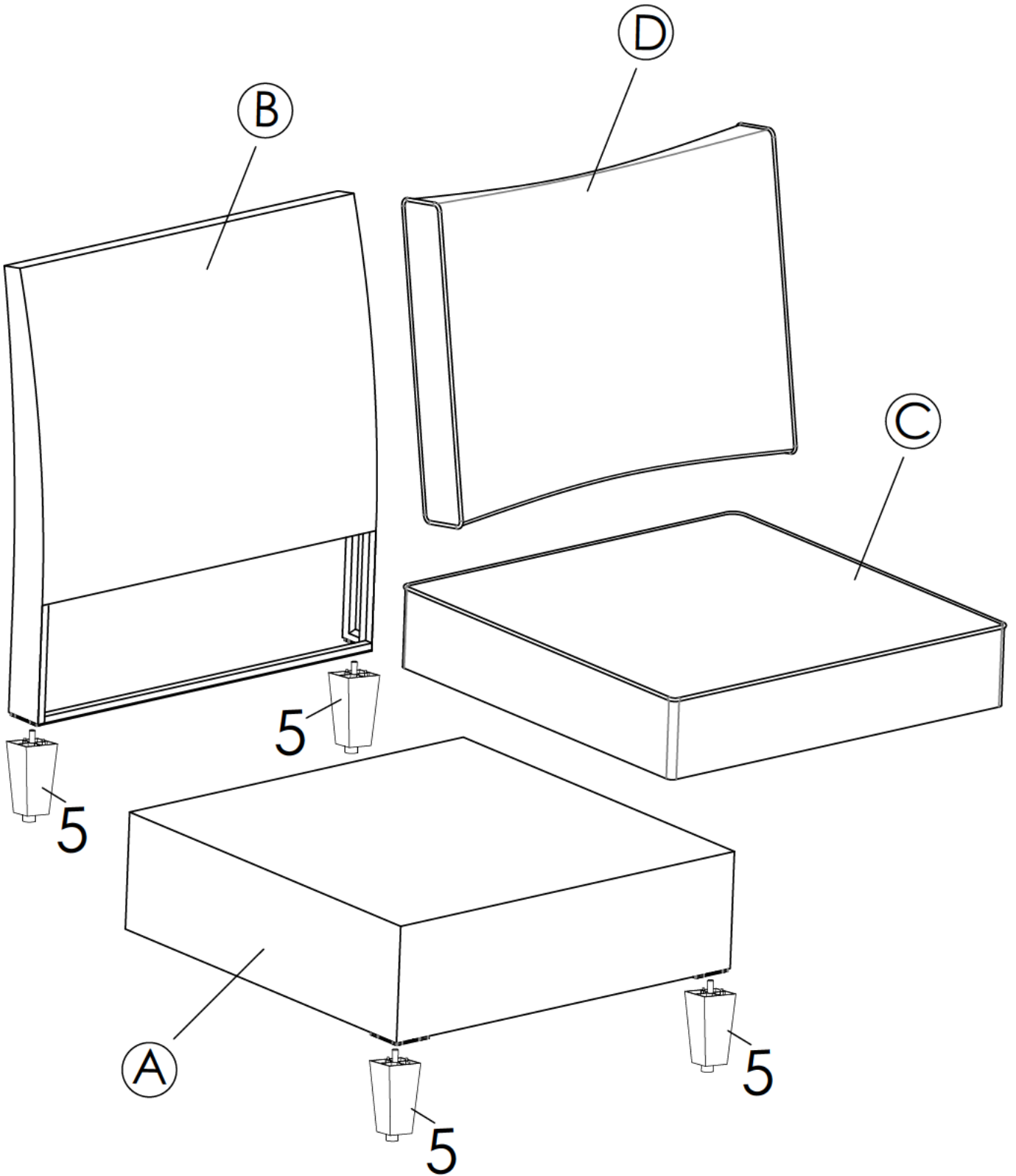
Assembly Manual

Middle Sofa



Please read this manual carefully before any operation and keep it properly for future use.

Exploded View



Components List

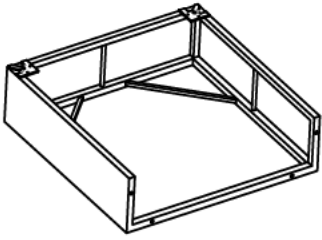
15 min

Assembly Time



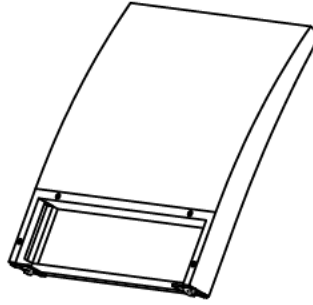
Two People

A



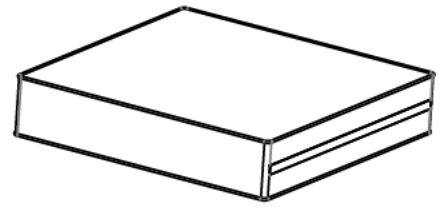
Seat Frame (X1)

B



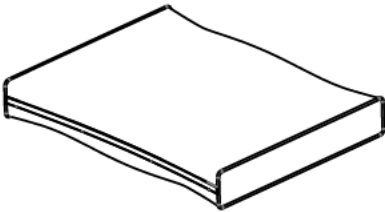
Back Frame (X1)

C





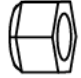


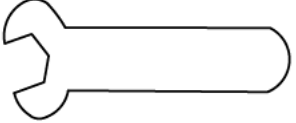
Seat Cushion (X1)

D



Back Cushion (X1)

Components list

1			2			3		
								
Bolt	M6x35	4+1	Washer	M6	4+1	Nut	M8	4+1
4			5			6		
								
Allen wrench	M6	1	Foot		4	wrench	M8	1

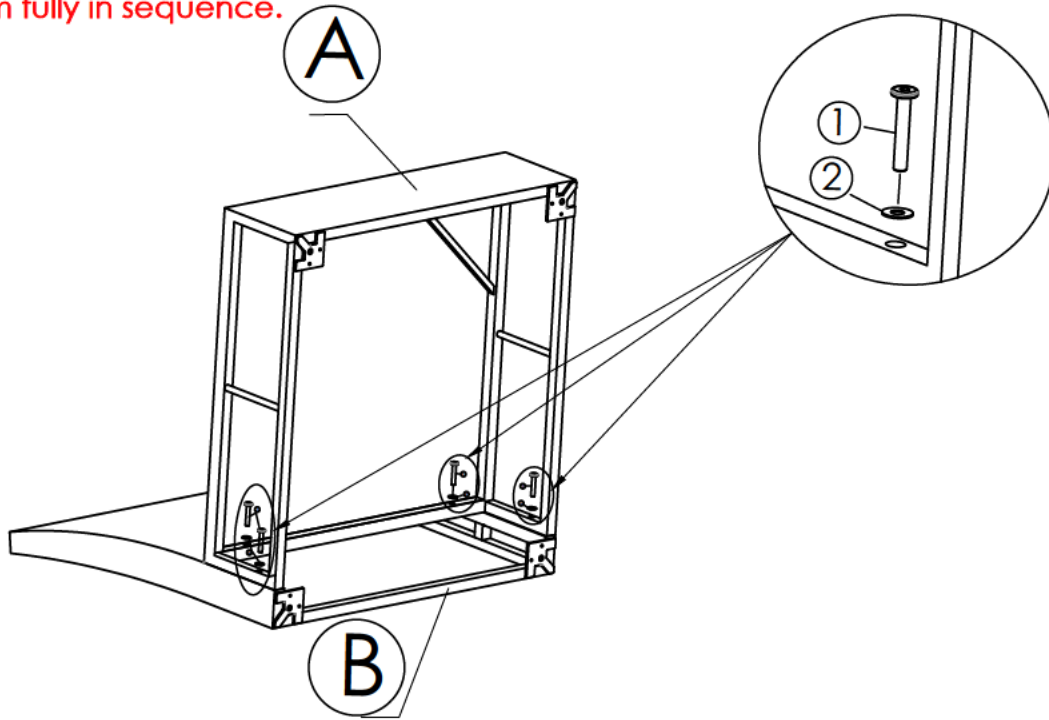
Note: The qty after "+" sign indicates the extra piece(s).

Assembly Instruction

STEP 1

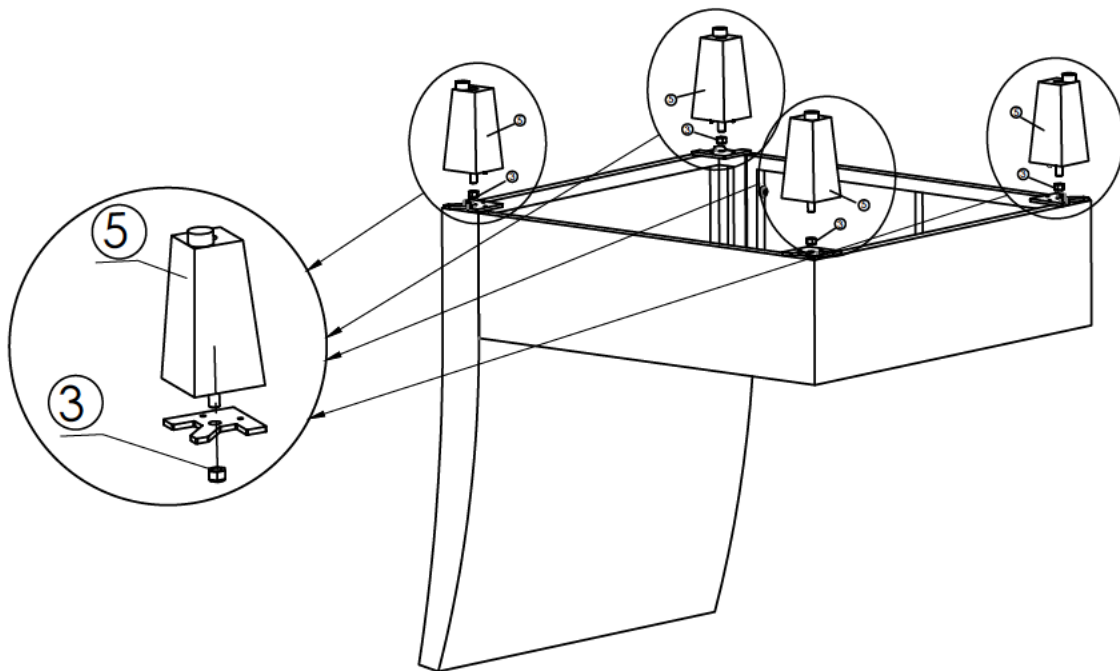
Attach seat frame (A) to back frame (B) using washers (2), bolts (1) and Allen wrench (4).

Note: Hand-tighten all screws to about 80% first. After all screws are in place, tighten them fully in sequence.



STEP 2

Attach seat feet (5) to seat frame using nuts (3) and wrench (6).



Assembly Instruction

STEP 3

Tighten all the bolts 100%, and flip the sofa over. Place the seat cushion(C) and back cushion(D) in place. The assembly is done. If you find the sofa not level, please adjust the feet pads accordingly.

