

**PLEASE READ THESE INSTALLATION INSTRUCTIONS THOROUGHLY PRIOR TO INSTALLING THIS GRAB BAR**

**IMPORTANT: THIS PRODUCT SHOULD ONLY BE INSTALLED BY QUALIFIED AND TRAINED PERSONNEL**

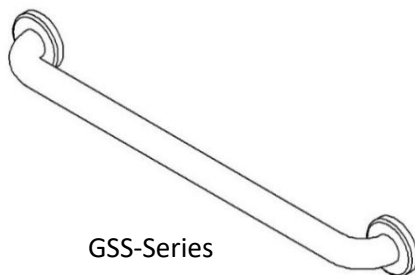
**FAILURE TO FOLLOW THESE INSTRUCTIONS COULD LEAD TO IMPROPER INSTALLATION OF THE GRAB BAR, STRUCTURAL AND/OR WATER DAMAGE TO THE WALL AND IN-WALL SUPPORT STRUCTURES, AND/OR SERIOUS BODILY INJURY IN USE. IN ADDITION, ALL WARRANTIES, EXPRESS OR IMPLIED, WILL BE NULL & VOID DUE TO IMPROPER INSTALLATION OF THIS PRODUCT. THE MANUFACTURER DOES NOT ASSUME ANY LIABILITY FOR DAMAGE RESULTING FROM SERVICES PERFORMED BY OTHERS, OR FAULTY INSTALLATION, MISUSE OR MISAPPLICATION OF GOODS.**

**THIS PRODUCT IS DESIGNED TO MEET OR EXCEED ALL LOAD REQUIREMENTS ESTABLISHED IN THE AMERICANS WITH DISABILITIES (ADA) ACT AND/OR FEDERAL SPECIFICATION WW-P-541/8b AT 250 POUNDS OF FORCE. THE PERFORMANCE OF THIS PRODUCT IS SIGNIFICANTLY IMPACTED BY THE STRENGTH AND CONSTRUCTION OF THE WALL TO WHICH IT IS ATTACHED.**

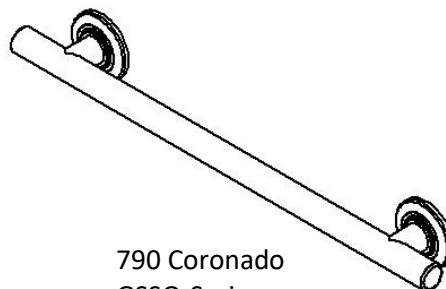
**TO ASSURE PROPER AND SAFE INSTALLATION, THIS GRAB BAR MUST BE INSTALLED INTO A MINIMUM 2" THICK, SOLID WOOD, IN-WALL BACKING MATERIAL. MAKE CERTAIN IN-WALL BACKING COMPLIES WITH ALL LOCAL BUILDING CODE REQUIREMENTS.**

**1. Locating the Grab Bar in the desired position.**

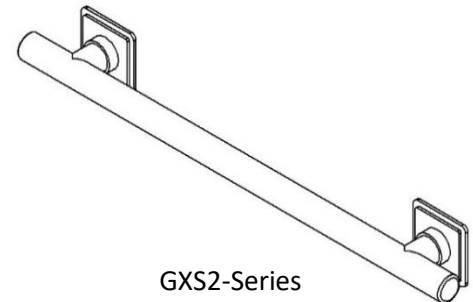
Remove the Straight Grab Bar from the shipping carton.



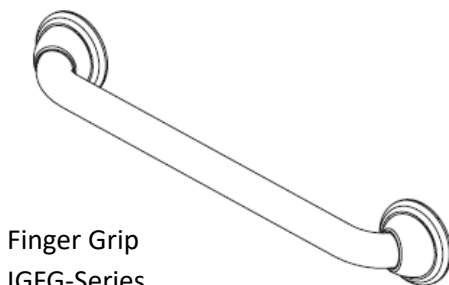
GSS-Series



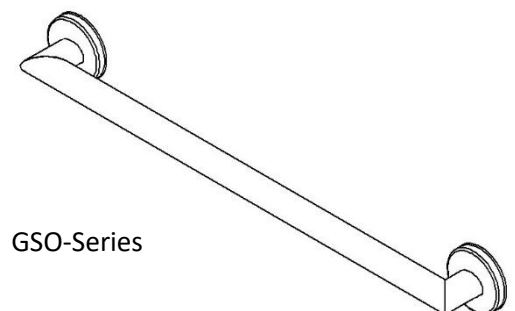
790 Coronado  
GSSO-Series



GXS2-Series



Finger Grip  
IGFG-Series



GSO-Series

**⚠ Warning ⚠**

If Seachrome products are not installed, operated, and maintained in accordance with the manufacturer's instructions, there is a potential risk of exposure to substances, including nickel, which are known to the State of California to cause cancer, birth defects or reproductive harm. For more information go to [www.P65warnings.ca.gov](http://www.P65warnings.ca.gov).

Locate the area with 2" solid wood in-wall backing on the desired mounting surface.

Place the bar in position on the wall. Using a level (not provided) ensure the grab bar is level and pencil-mark the location of the mounting holes on the wall.

It is ***extremely important*** you mark the center of each of the mounting holes precisely on the mounting surface. (For GXS2-Series – unscrew and rotate the square flange cover to access the 4 mounting holes on each flange.)

***Proceed cautiously through the following steps in this installation process to avoid drilling into in-wall water supply lines.***

**All mounting points must fasten into structural wood backing, minimum 2" thickness.**

**Avoid electrical and/or plumbing behind the wall, and where possible drill through tile – not through grout.**

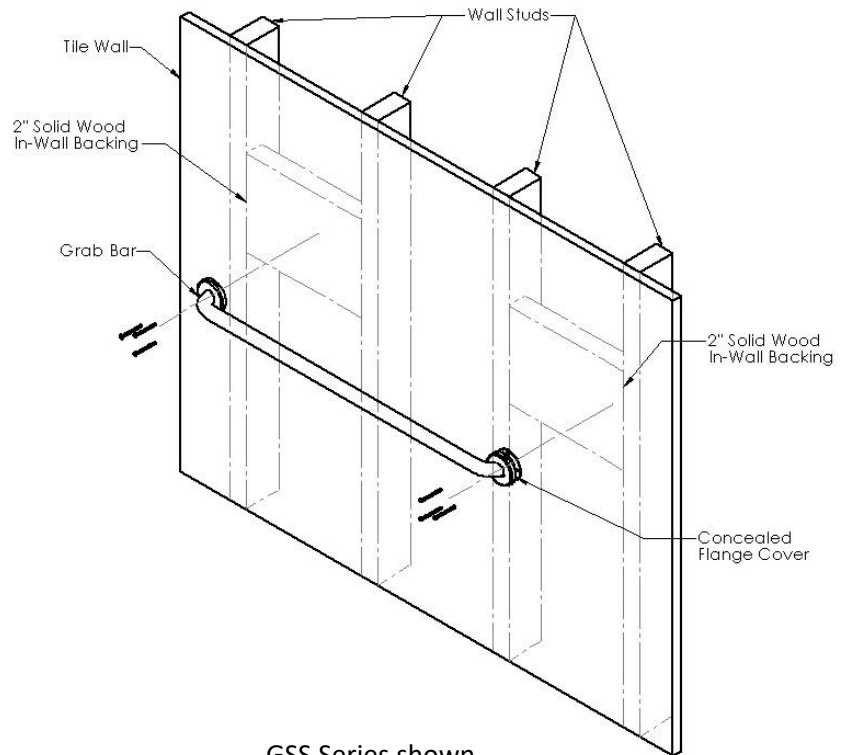
## 2. Mounting the Grab Bar.

### Step #1

Use a power drill with a carbide tip drill bit (not provided) and drill at all locations marked on the wall into the 2" thick solid wood in-wall backing.

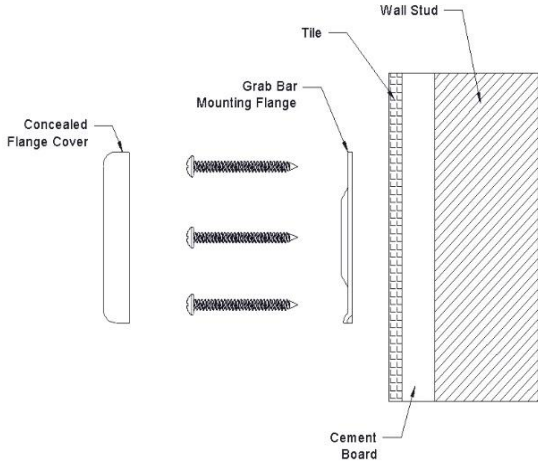
### Note:

- 6 locations for GSS/IGFG-Series
- 6 locations for GSS – 790 – GSO Series
- 8 locations for GXS2 Series
- **GSO Series Bars may require drilling the holes at an angle to facilitate installation.**



### ⚠ Warning ⚠

If Seachrome products are not installed, operated, and maintained in accordance with the manufacturer's instructions, there is a potential risk of exposure to substances, including nickel, which are known to the State of California to cause cancer, birth defects or reproductive harm. For more information go to [www.P65warnings.ca.gov](http://www.P65warnings.ca.gov).

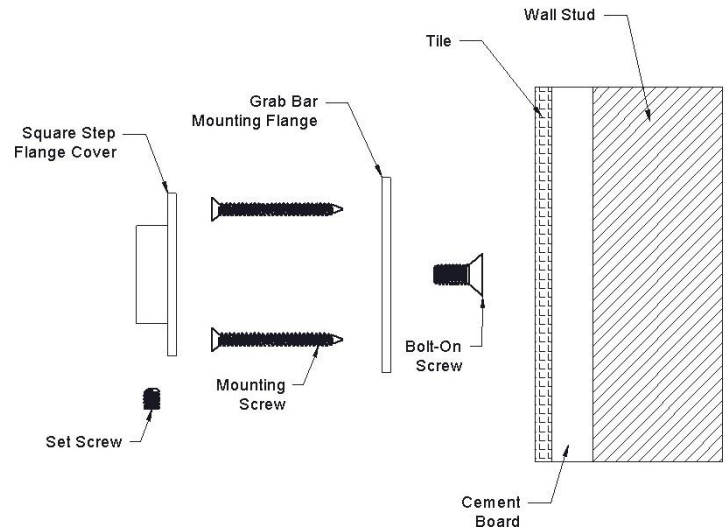


**Step #2 GSS/IGFG-Series and GSS-790-GSO-Series**

Apply a bead of silicone around the Grab Bar Mounting Flanges on the mounting surface to ensure a water-tight seal will be created at all mounting locations. Secure the grab bar to the wall using six (6) stainless steel screws (supplied by manufacturer) and screw into the holes created in the solid wood backing. *Tighten screws completely after ALL screws are in place.* Complete the grab bar installation by covering the mounting flanges with the Concealed Flange Covers, snapping them into place.

**Step #2 GXS2 Series**

Apply a bead of silicone around the Grab Bar Mounting Flanges on the mounting surface to ensure a water-tight seal will be created at all mounting locations. Secure the grab bar to the wall using eight (8) stainless steel screws (supplied by manufacturer) and screw into the holes created in the solid wood backing. *Tighten screws completely after ALL screws are in place.* Complete the grab bar installation by rotating the square step flange cover into position and securing the assembly with the set screw provided.



**To ensure proper and safe installation, the grab bar should not shift in any direction on the mounting surface.**

**Hardware Provided:**

- GSS-Series/IGFG Series: (6) stainless steel sheet metal screws.
- GSS-790-GSO Series: (6) stainless steel sheet metal screws.
- GXS2 Series: (8) stainless steel sheet metal screws.  
(2) 5/16-18 x .75" hex drive flat head screws.  
(2) 1/4-20 x 5/16" flat tip set screws.

**Tools required:** Marking pencil/pen, level, power drill, carbide tip drill bit, phillips driver, silicone.

**THIS COMPLETES THE INSTALLATION OF THIS GRAB BAR.**

**Warning**

If Seachrome products are not installed, operated, and maintained in accordance with the manufacturer's instructions, there is a potential risk of exposure to substances, including nickel, which are known to the State of California to cause cancer, birth defects or reproductive harm. For more information go to [www.P65warnings.ca.gov](http://www.P65warnings.ca.gov).