

H3L

XHX-15

WARRANTY INFORMATION

- Do not expose the surfaces to direct sunlight or to extreme environmental conditions.
- Clean the surfaces preferable with a clean damp cloth, then dry with a clean towel.
- Do not use solvents or abrasive materials to clean the unit. If you decide to use a cleaning agent, test first on an area hidden from view.
- Replacement parts might be available to you at no charge, with an original proof of purchase and where a defect has arisen, wholly or substantially, as a result of faulty manufacturing, parts or workmanship during the Warranty Period.
- The warranty does not extend to regular wear and tear, nor the manufacturer assumes liability for damages or consequences due to accidents, incorrect assembly, negligence, improper use, modifications, or not heeding the above warnings.

Thank you so much for your support! We hope you enjoy your purchase. If there is any damage or missing accessories, please feel free to contact us for free replacement or refund. You can quickly find us through this email: **service7770@outlook.com** with your order number, we will try our best to solve this problem for you !

Thank you !

TABLE OF CONTENTS

01 Warranty Information

02 Important Safety Instructions

02 Tools Needed

03 Parts List

04 Assembly

IMPORTANT SAFETY INSTRUCTIONS

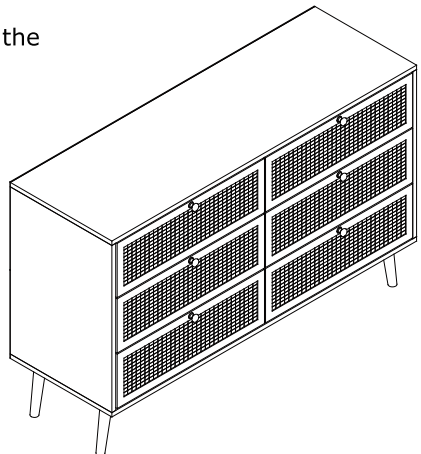
- Check if all the parts are complete before installation.
- Read through the instructions before installing the cabinet.
- Keep the small parts away from children to avoid the risk of swallowing.
- Screw the cabinet to the wall to avoid the risk of falling down.

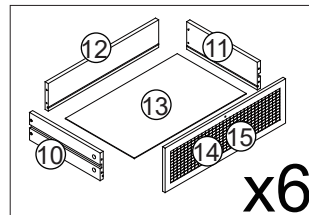
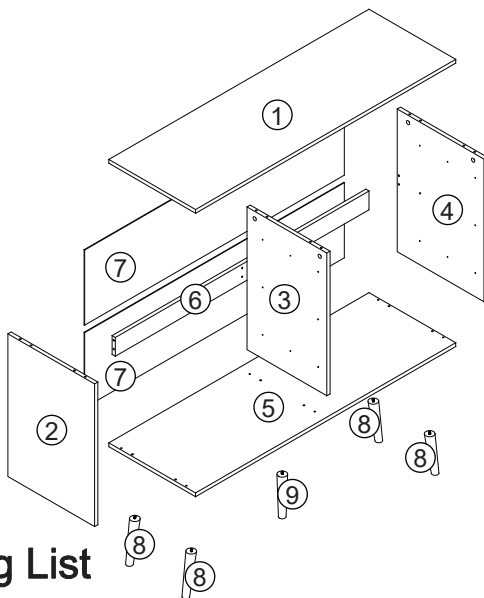
TOOLS NEEDED

Screws Driver -1PC



(Not included)

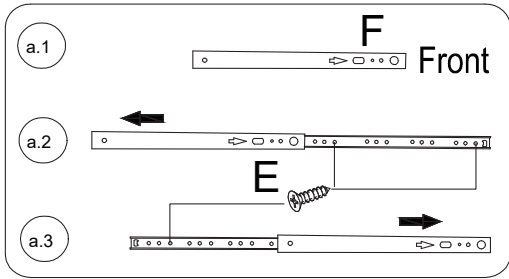
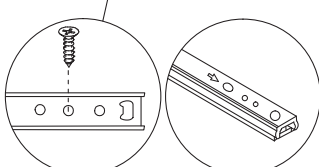
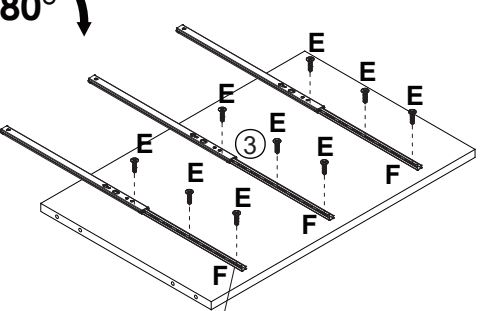
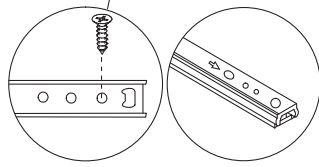
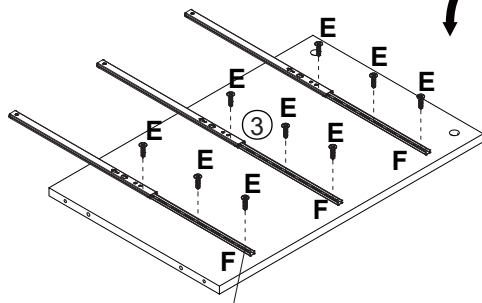
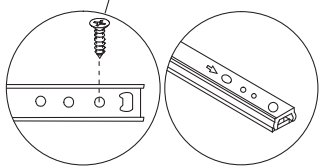
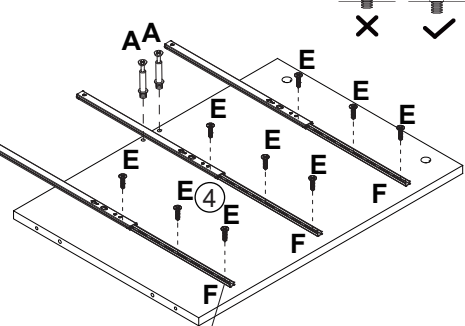
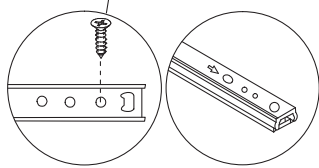
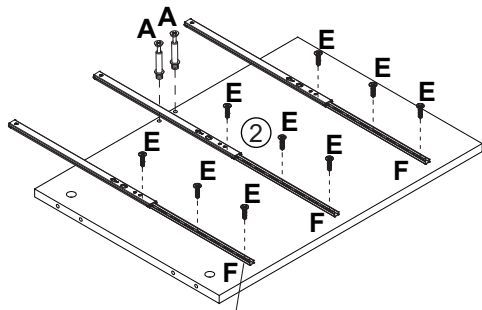
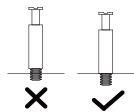







Packing List

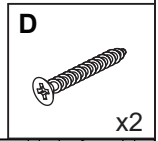
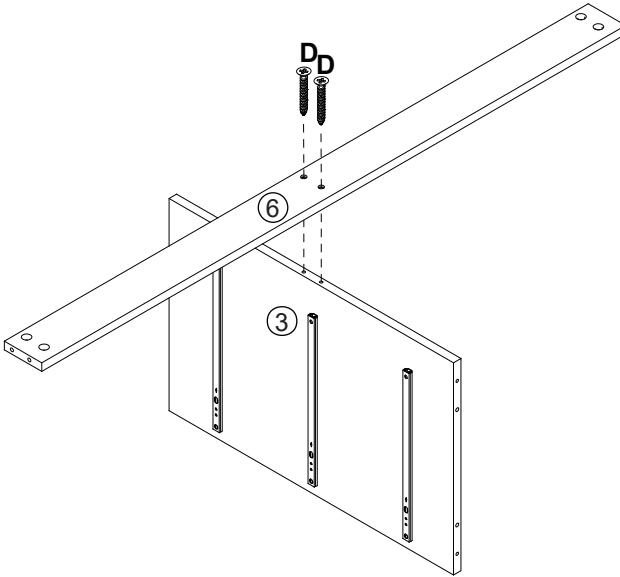
1 x1	2 x1	3 x1	4 x1	5 x1	6 x1	
7 x2	8 x4	9 x1	10 x6	11 x6	12 x6	
13 x6	14 x3	15 x3				
A x34	B x34	C x12	D M4x40 x34	E M3x12 x36	F x12	
G x6	H M4x20 x6	I x1	J M4x12 x20	K x4	L M4x12 x12	M x2
N x2	O x4	P M3x12 x26	Q x4			

Step 1

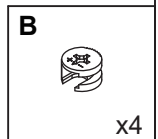
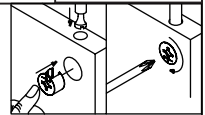
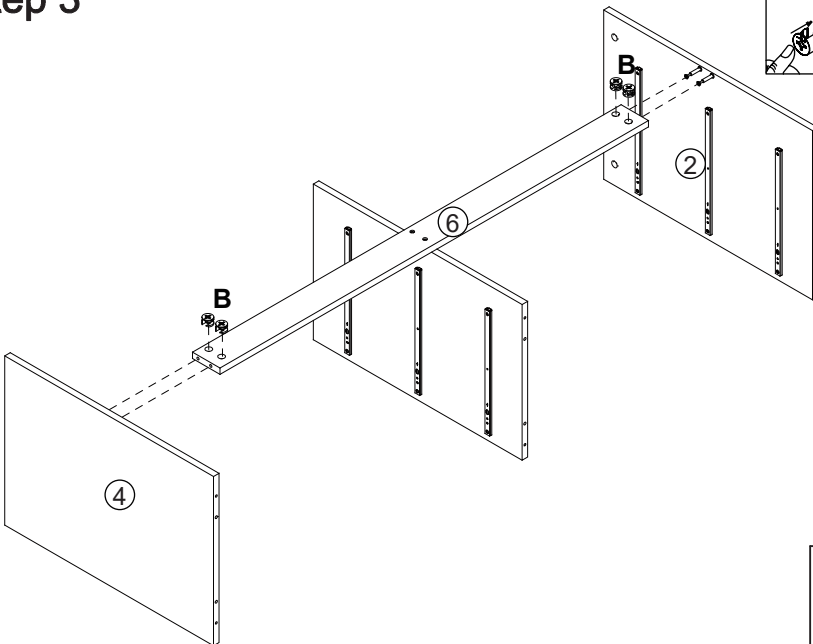


<p>A</p>  <p>x4</p>	<p>E</p>  <p>x36</p>	<p>F</p>  <p>x12</p>
---	--	---

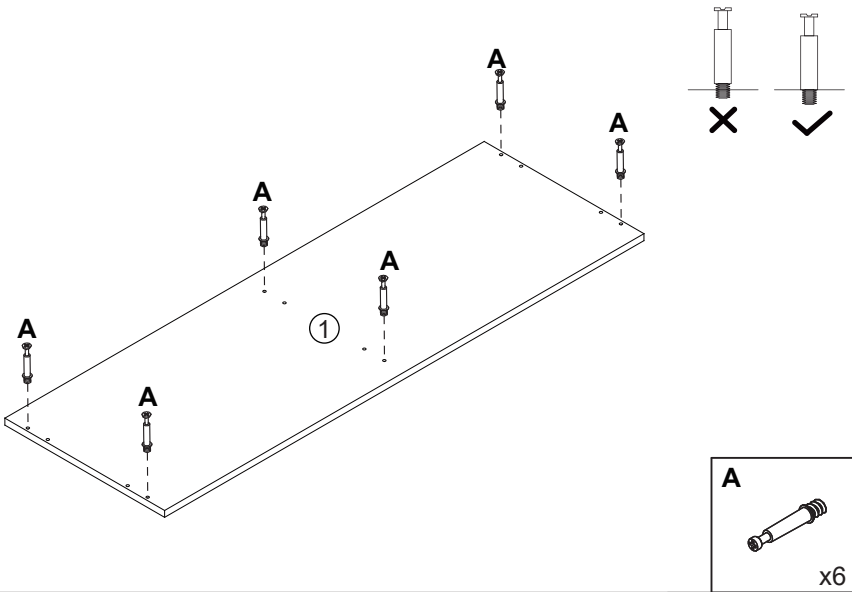
Step 2



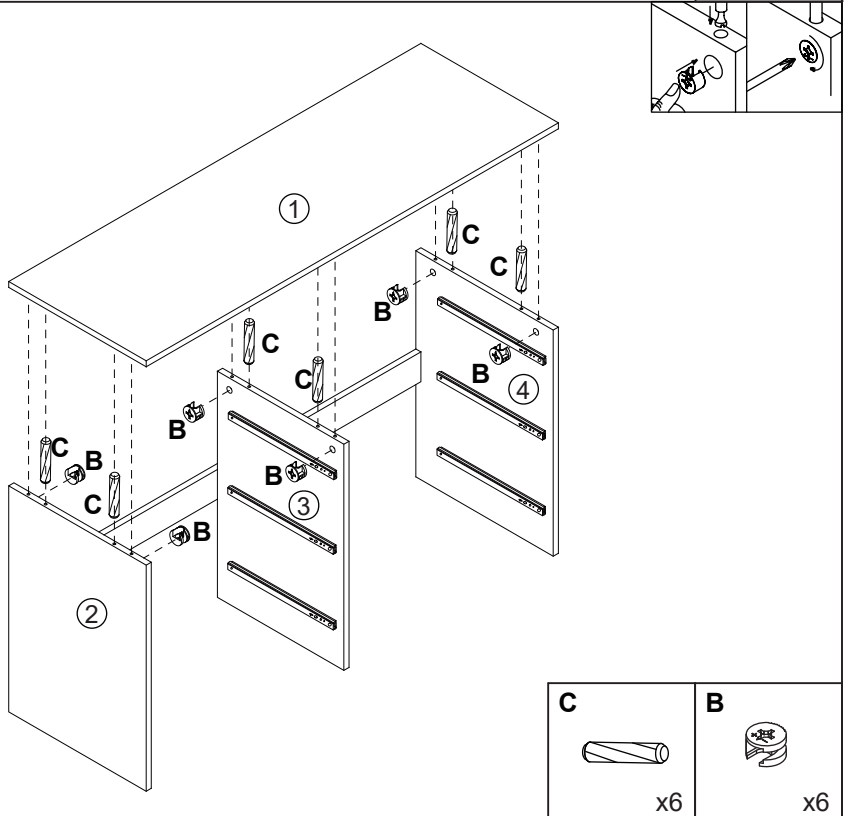
Step 3



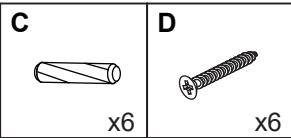
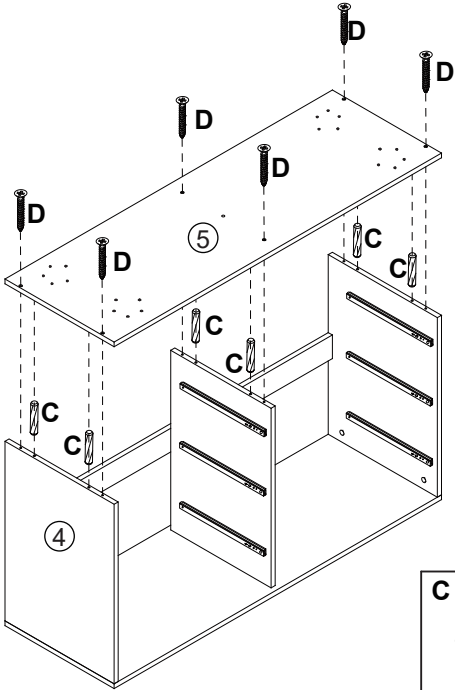
Step 4



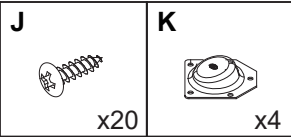
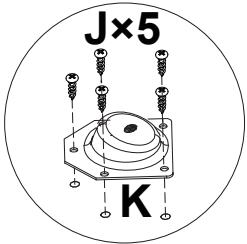
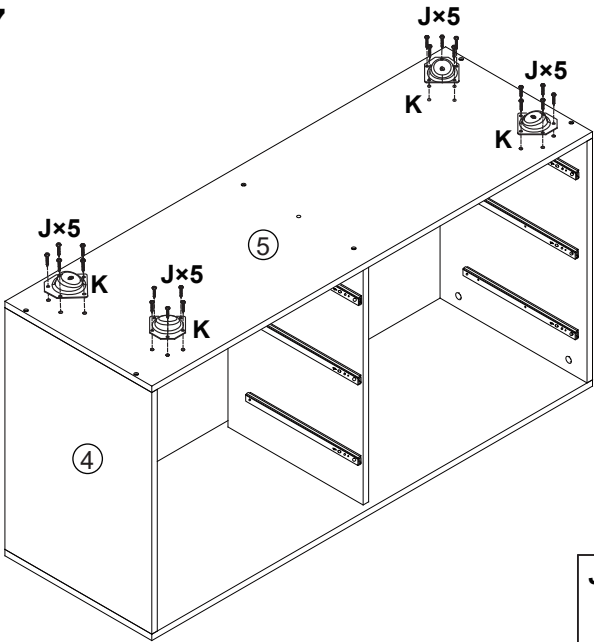
Step 5



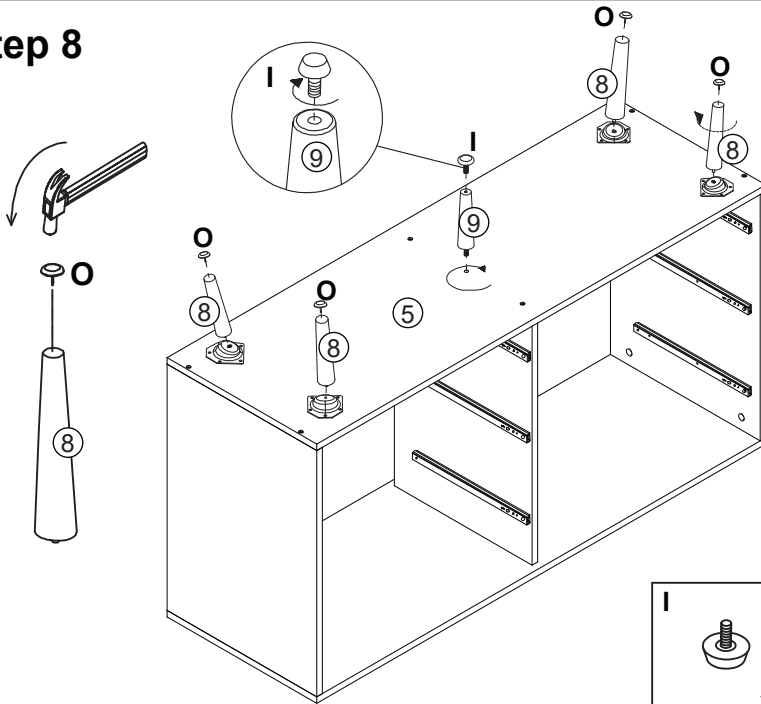
Step 6



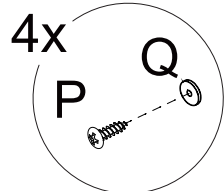
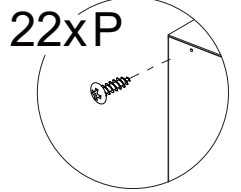
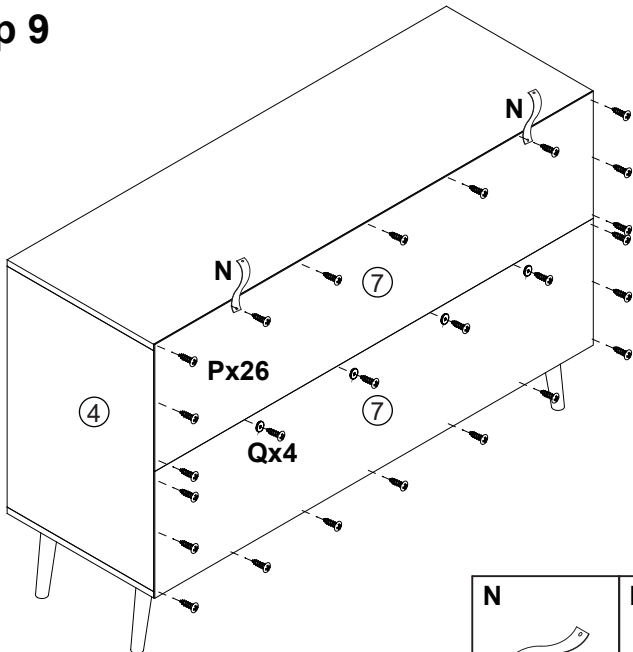
Step 7



Step 8

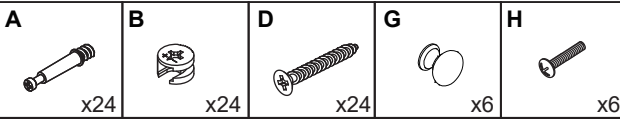
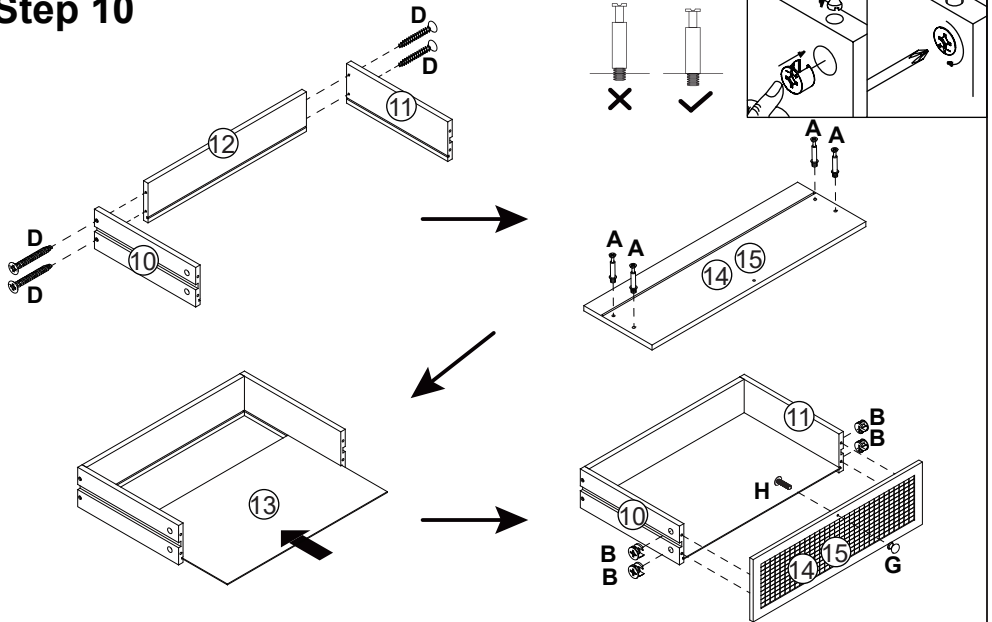


Step 9



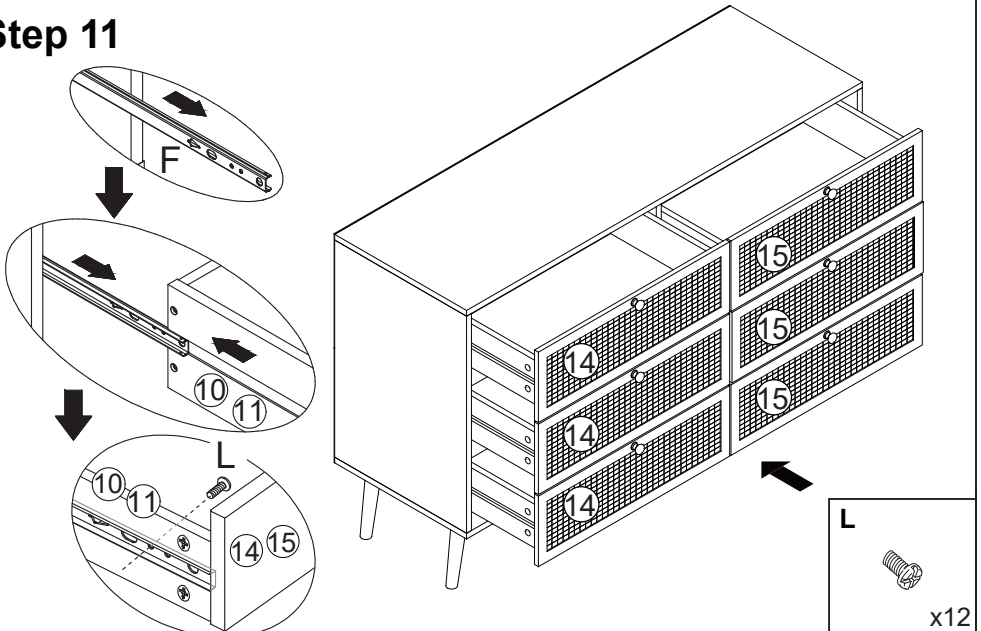
<p>N</p> <p>x2</p>	<p>P</p> <p>x26</p>	<p>Q</p> <p>x4</p>
---------------------------	----------------------------	---------------------------

Step 10



x6

Step 11



Step 12

