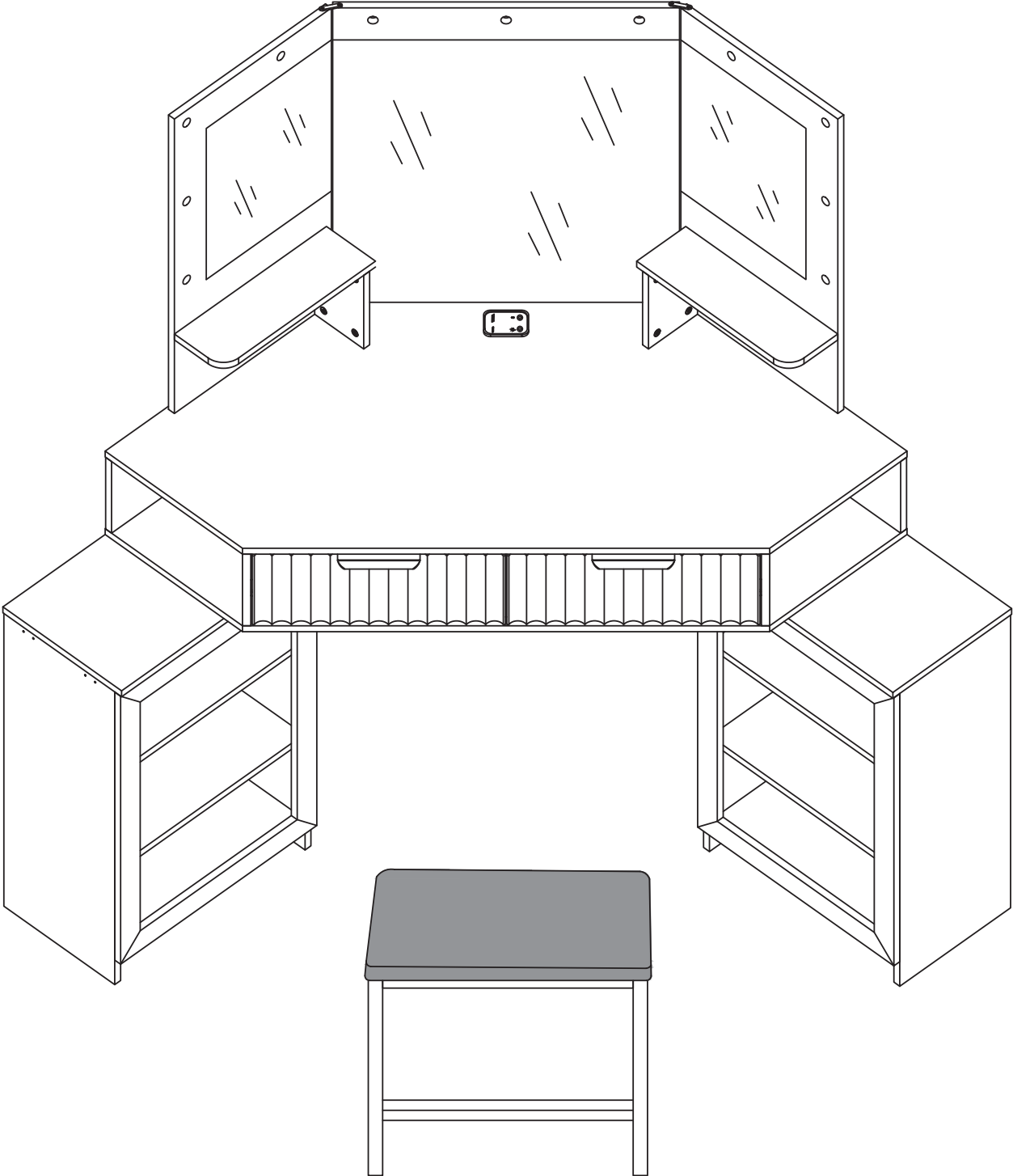
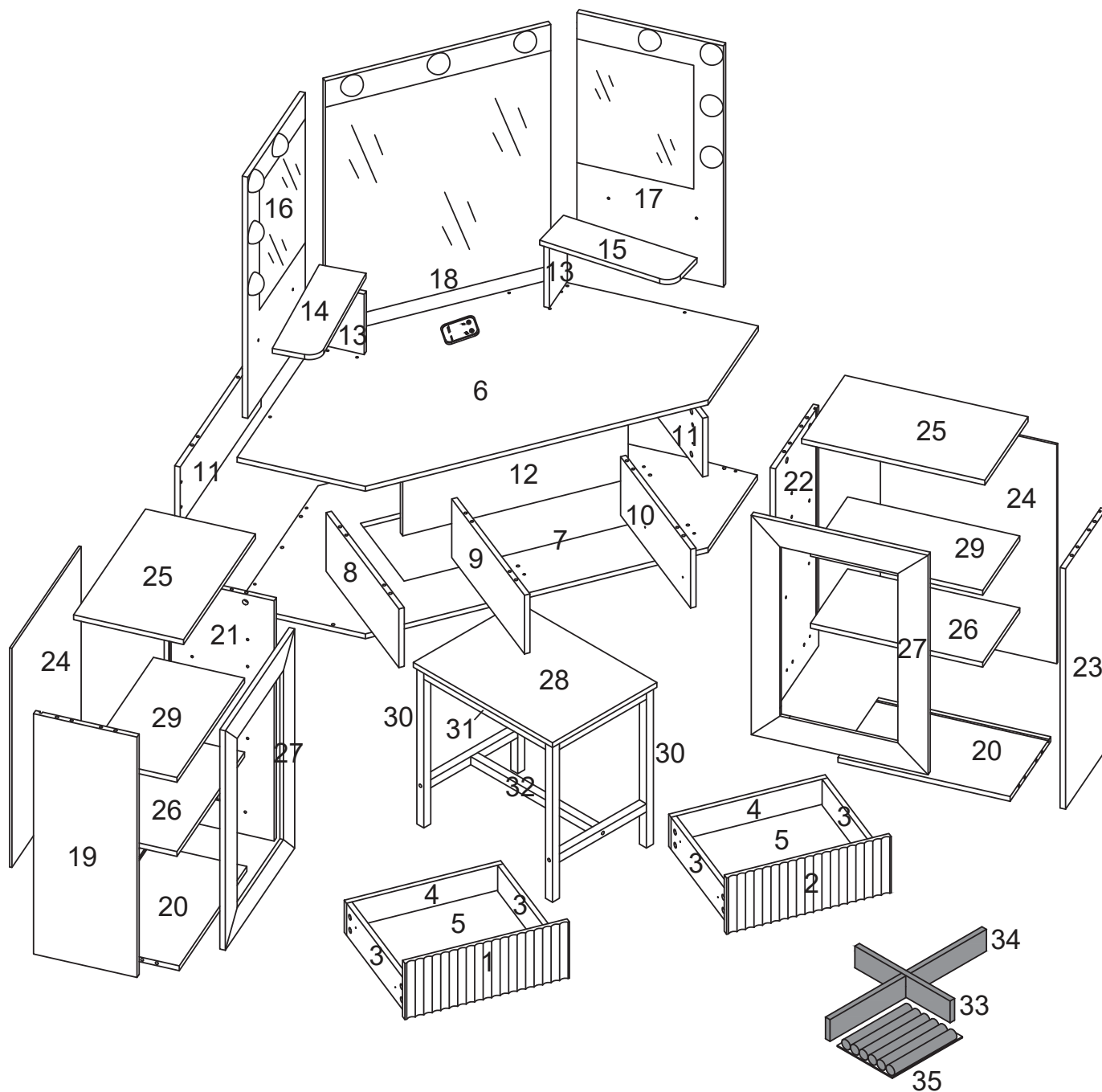




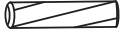







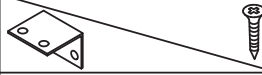






Product Installation Guide



Decomposition of Product Structure

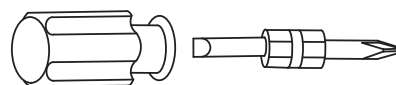
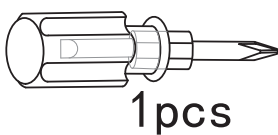
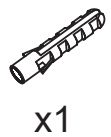
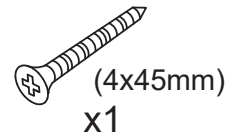
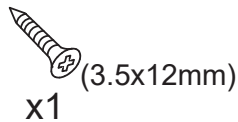
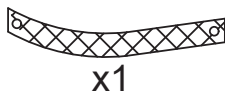


Accessories list

(A)		Two in one screw (6x28mm)	94pcs +3pcs
(B)		Two in one nut (10x12mm)	94pcs +3pcs
(C)		Wood Chipping (6x30mm)	40pcs +2pcs
(D)		Handle & Screw (4x12mm)	2pcs / 4pcs +1pcs
(E)		Non-slip pads	8pcs +2pcs
(F)		(29cm)Guide & Screw (3.5x12mm)	4pcs / 20pcs +2pcs
(G)		Fixing Clip & Screw (3x16mm)	12pcs +1pcs
(H)		Iron sheet & Screw (2.6x10mm)	2pcs / 4pcs +1pcs
(I)		Light bulb	11pcs / 1pcs
(J)		Clamp	6pcs
(K)		Corner Code & Screw (3.5x12mm)	2pcs / 8pcs +1pcs
(L)		Allen screw (6x28mm)	14pcs
(M)		Allen screw (6x16mm)	4pcs
(N)		AC/DC Adapter (12V=3A)	1pcs
(O)		Laminate support nail	8pcs
(Q)		power cord extension cord	1pcs
(R)		Wood grain stickers	8pcs

Anti tipping hardware

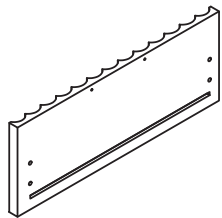
(P)



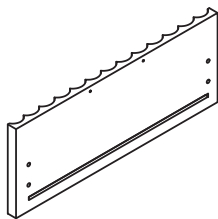
Double-head screwdriver, use as required

2

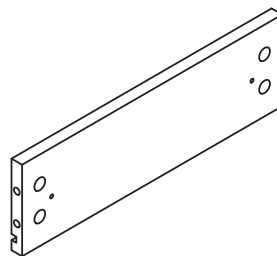
SY



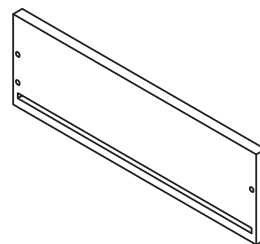
1x1



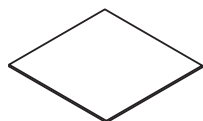
2x1



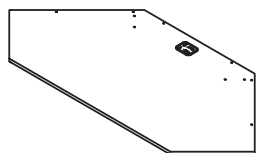
3x4



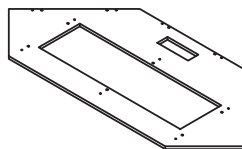
4x2



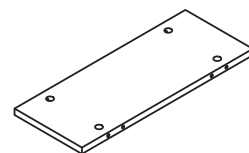
5x2



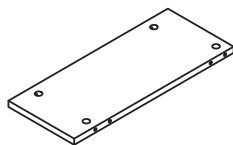
6x1



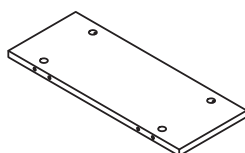
7x1



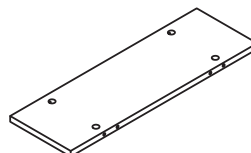
8x1



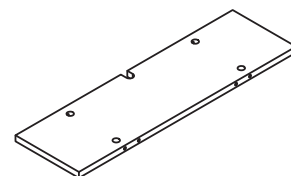
9x1



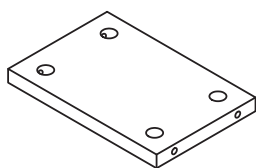
10x1



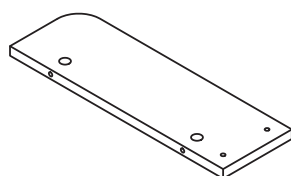
11x2



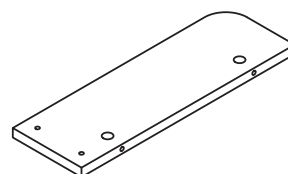
12x1



13x2



14x1



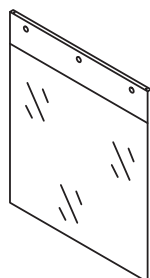
15x1



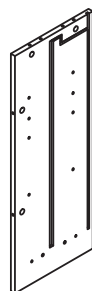
16x1



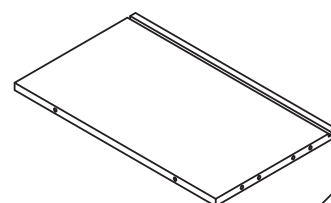
17x1



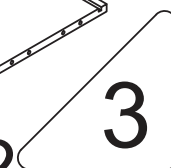
18x1



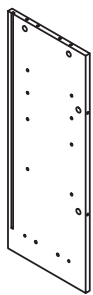
sy 19x1



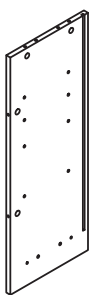
20x2



3



21x1



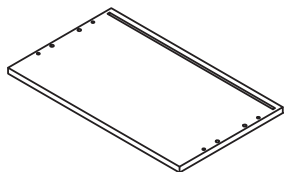
22x1



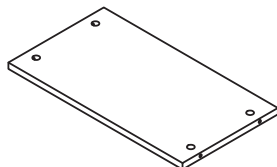
23x1



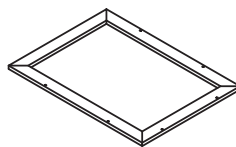
24x2



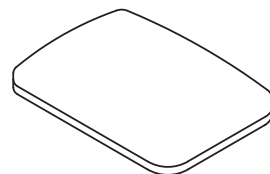
25x2



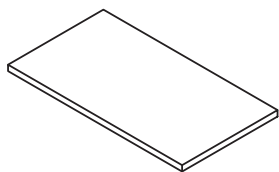
26x2



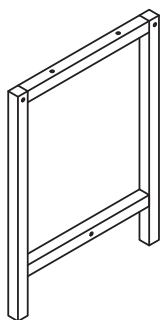
27x2



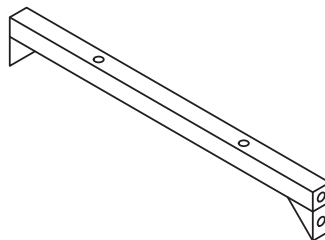
28x1



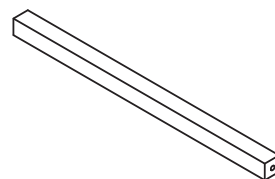
29x2



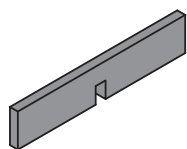
30x2



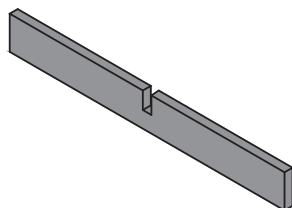
31x2



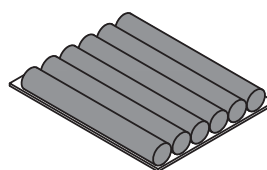
32x1



33x1



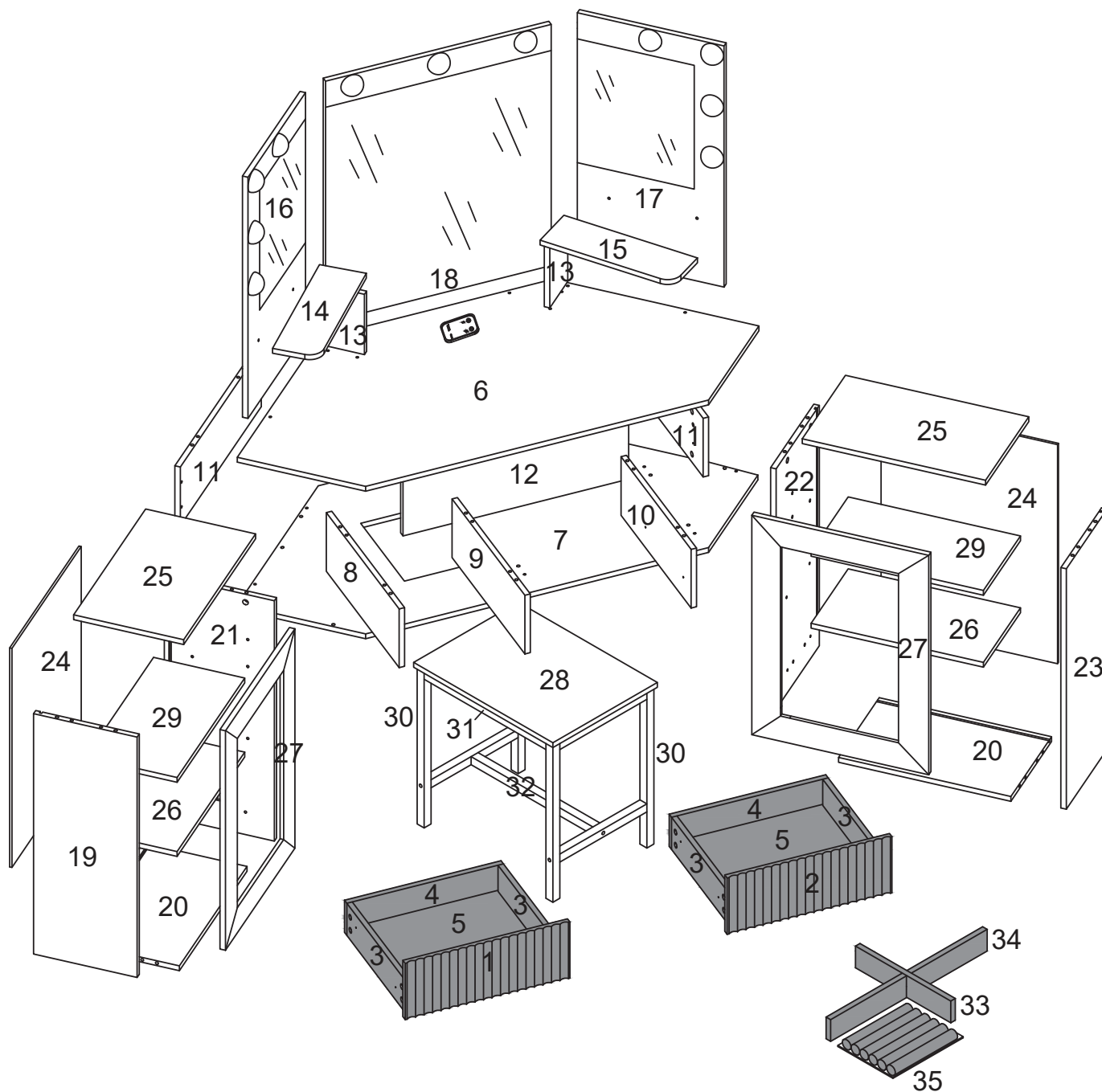
34x1



35x1

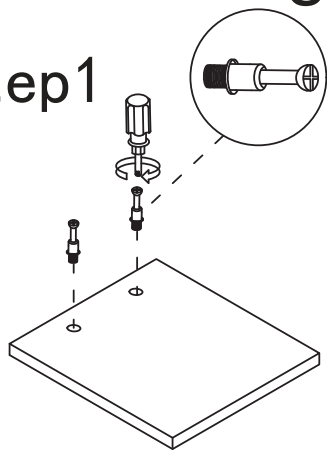


Decomposition of Product Structure

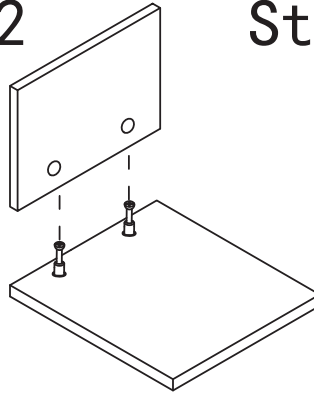


Use parts A and B

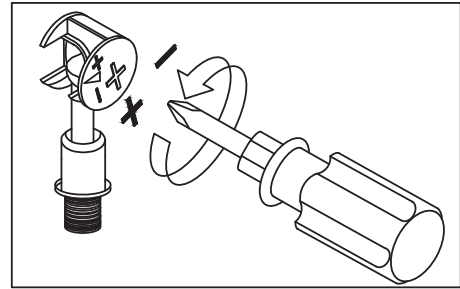
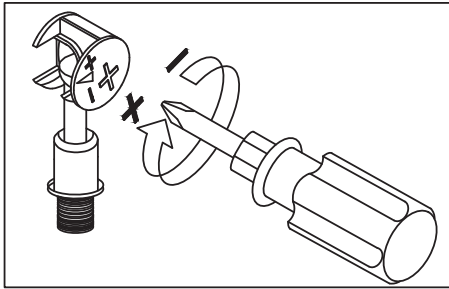
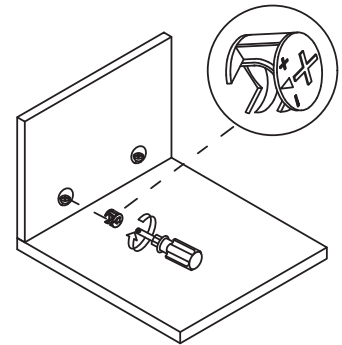
Step1



Step2



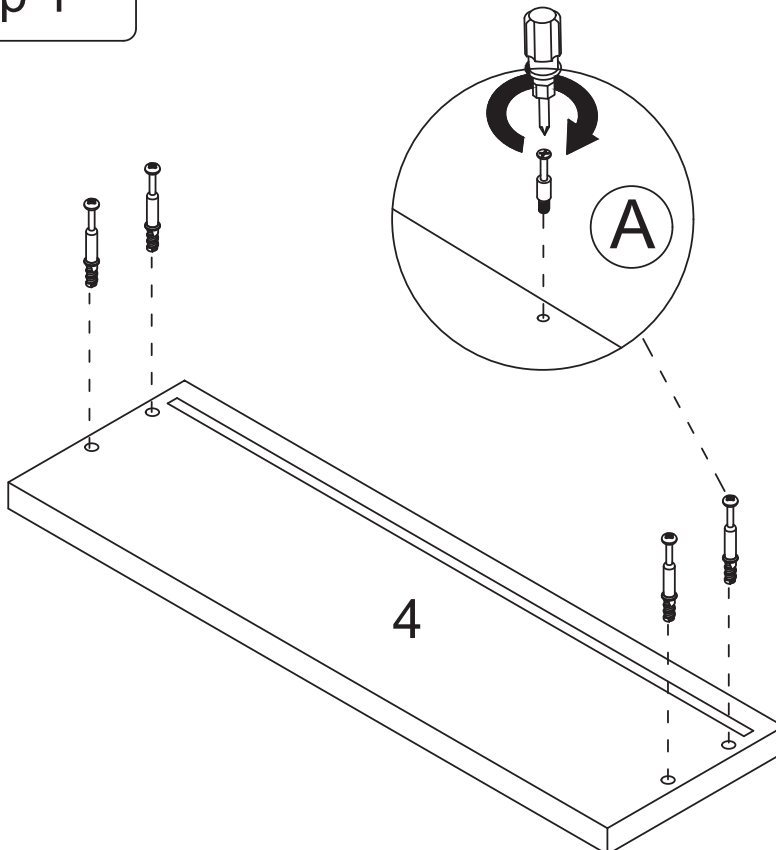
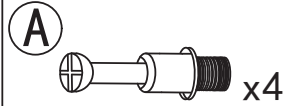
Step3



Use a screwdriver to tighten in the direction of the "+" sign.

Disassemble along the '-' sign direction.

Step 1



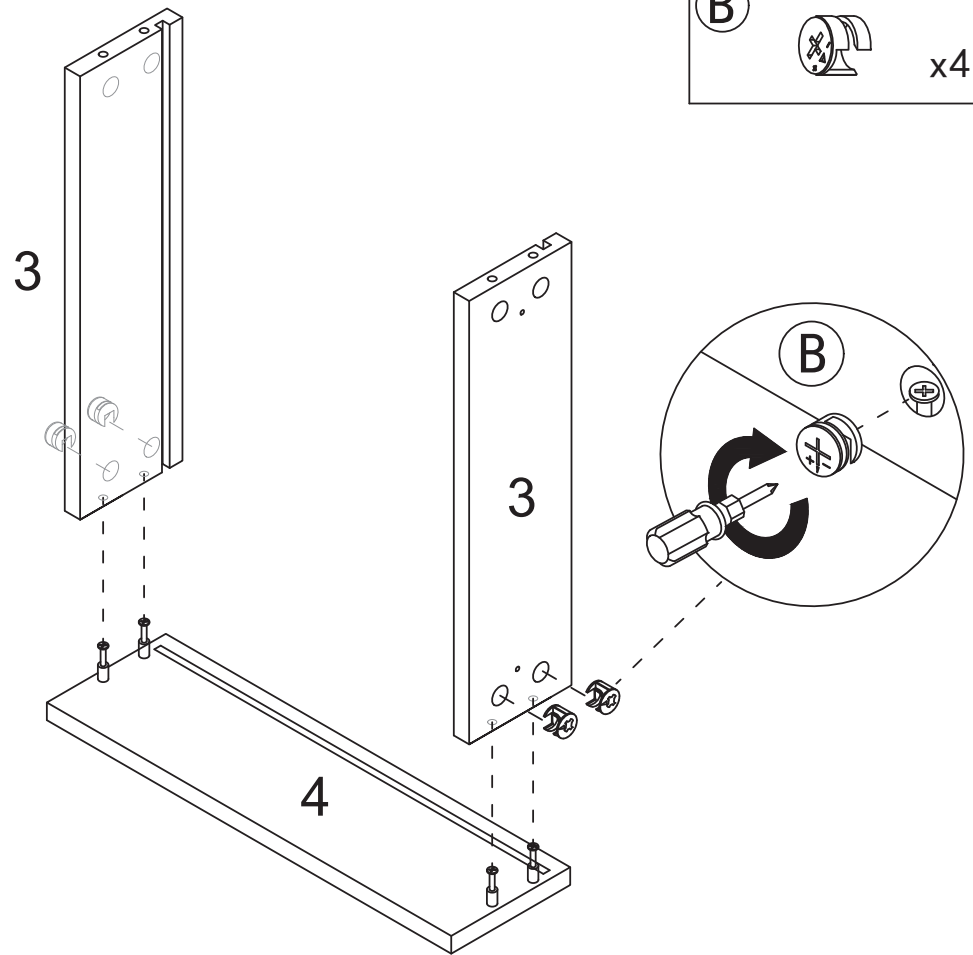
6

Step 2

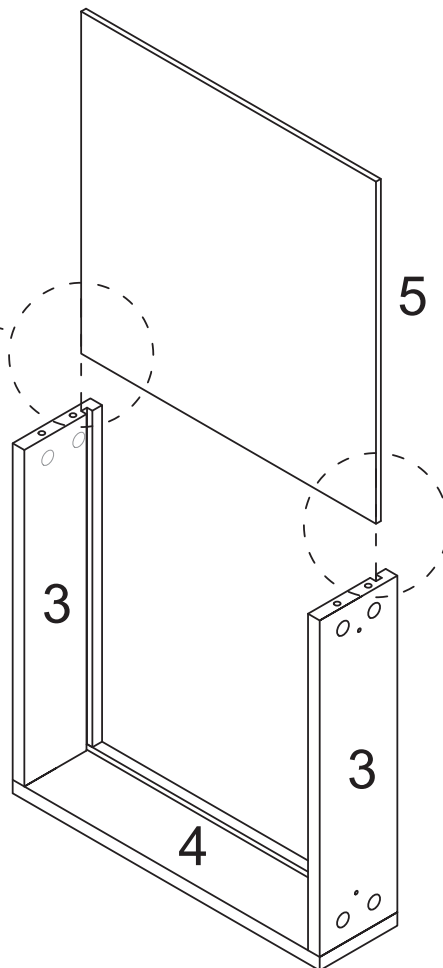
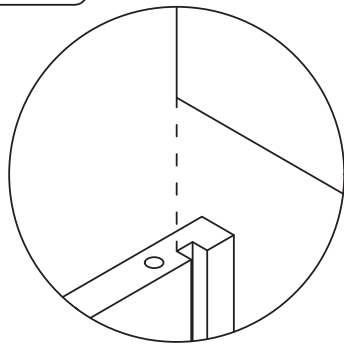
B



x4



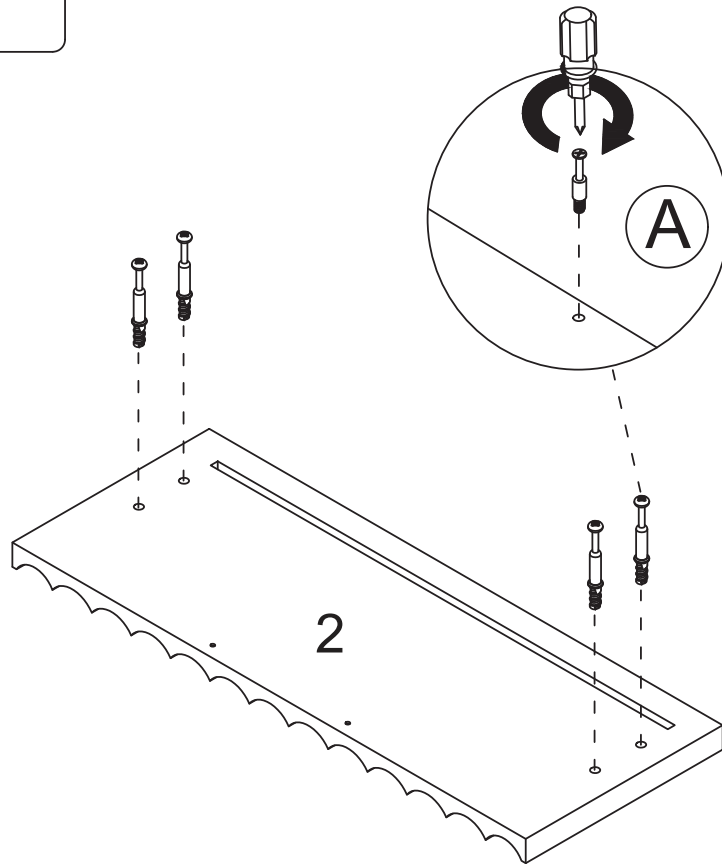
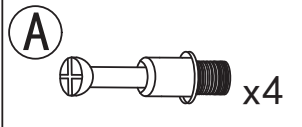
Step 3



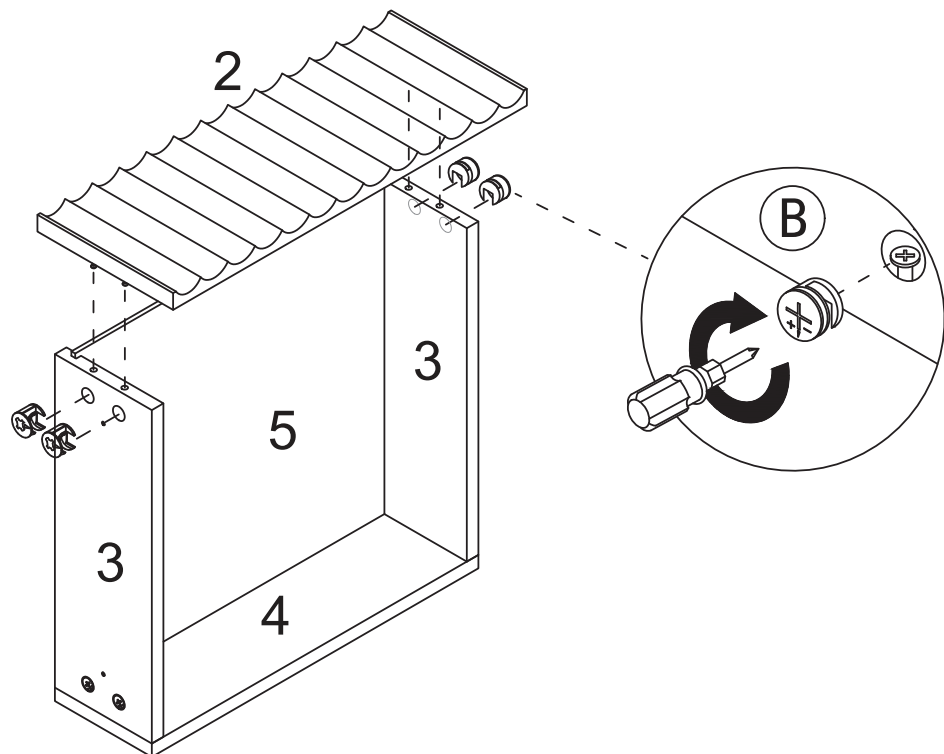
SY

7

Step 4

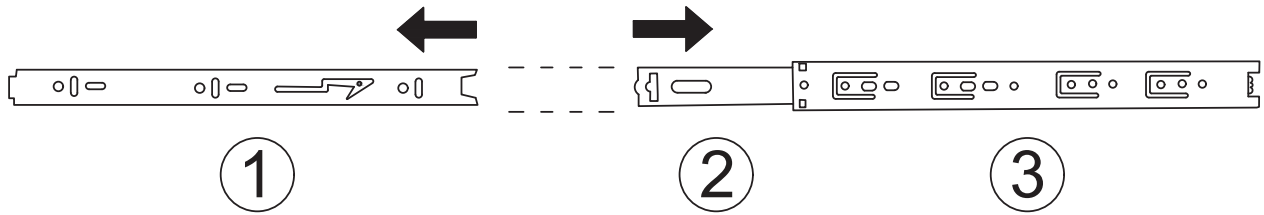


Step 5



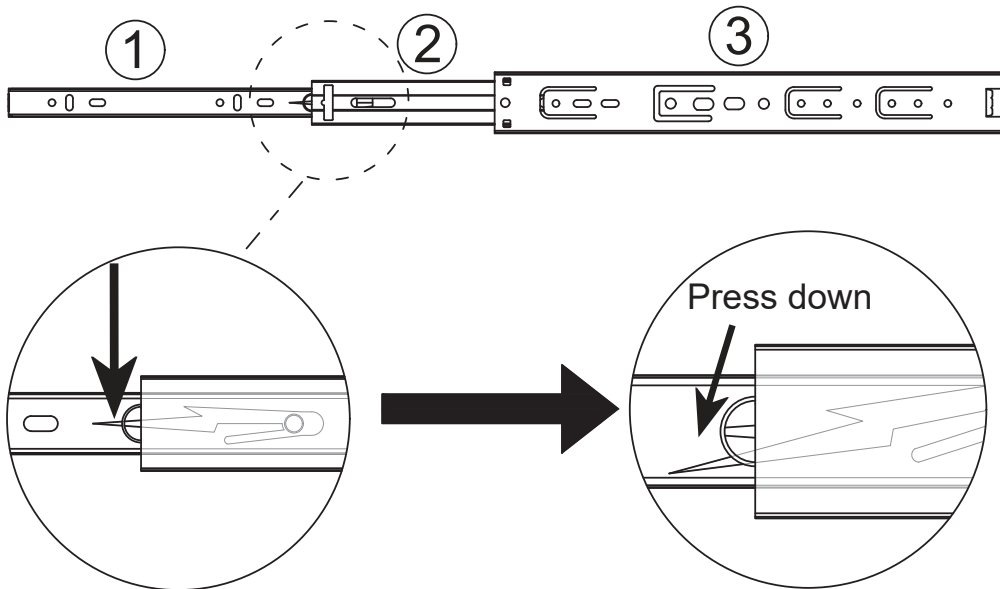
8

Drawer rail breakdown diagram



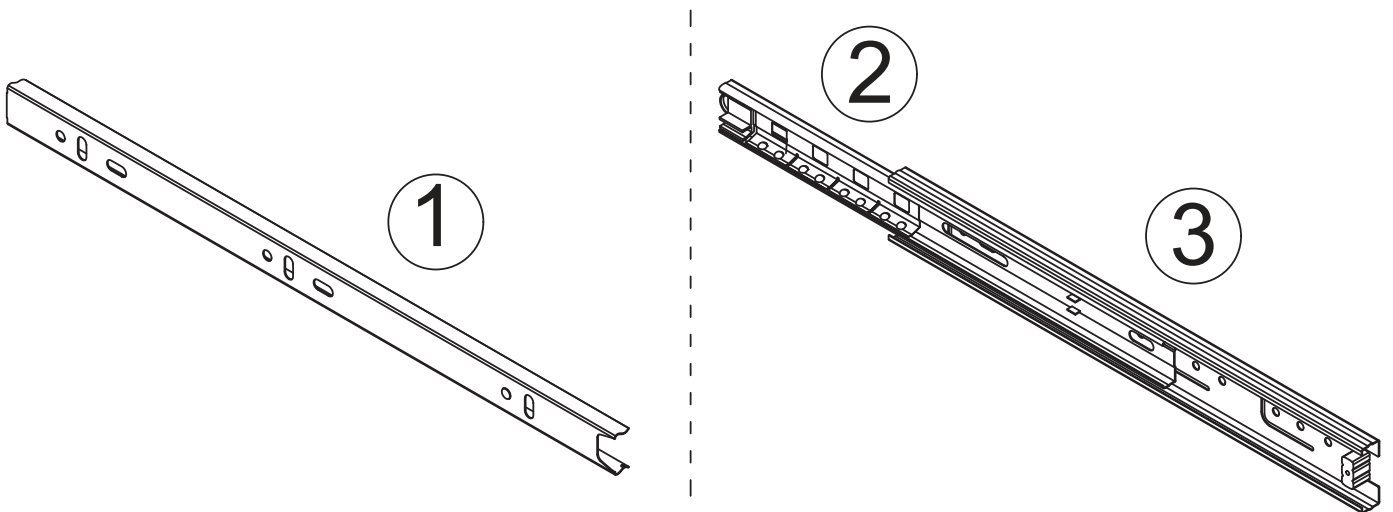
① Dismantle the schematic diagram

Step 1 : Pull the rails apart

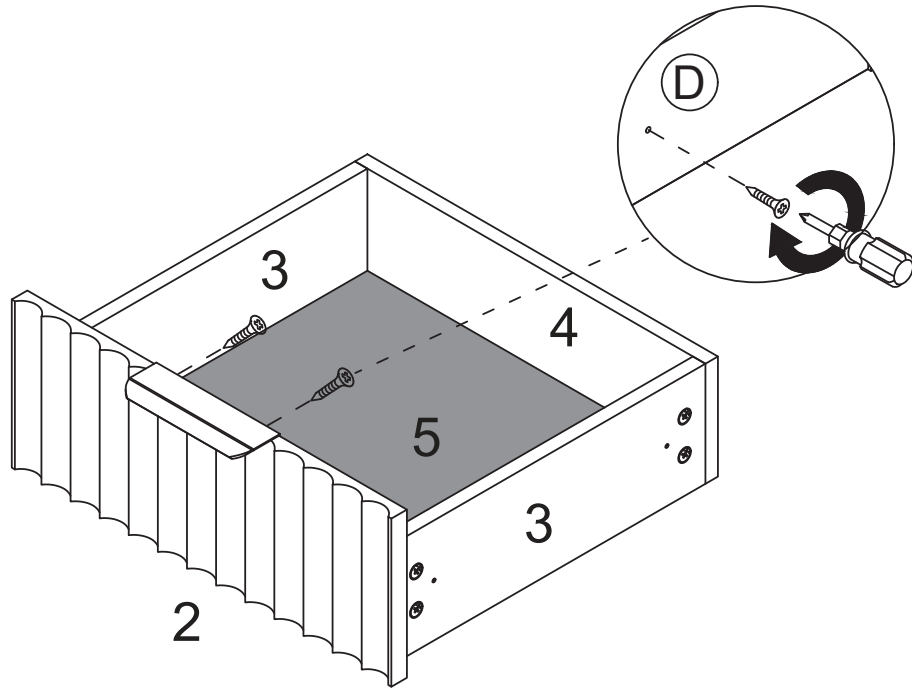
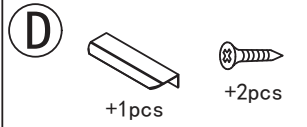


Step 2 : Press the nylon button and pull out ①.

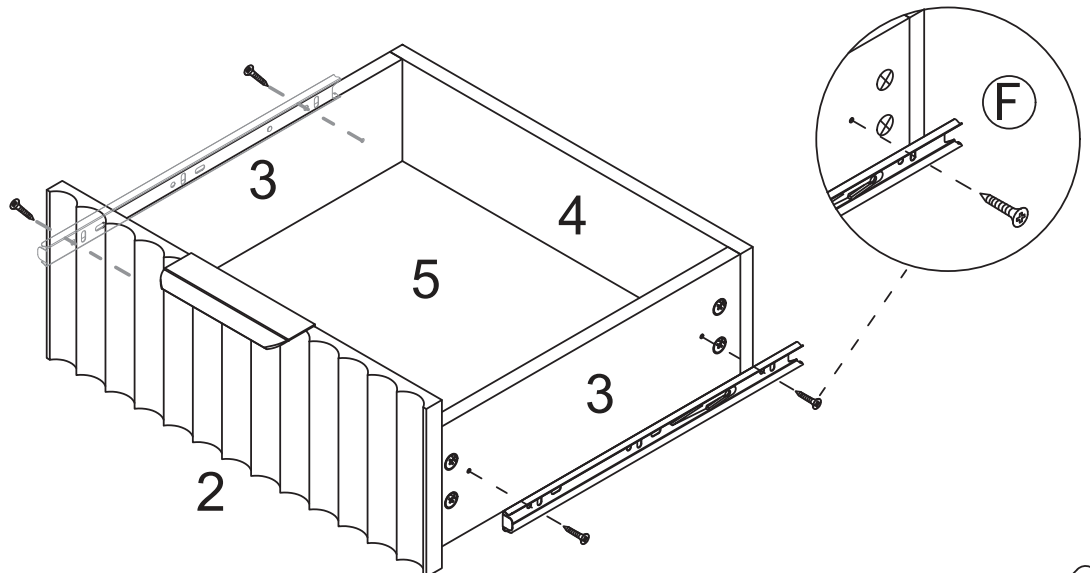
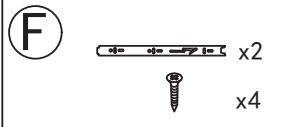
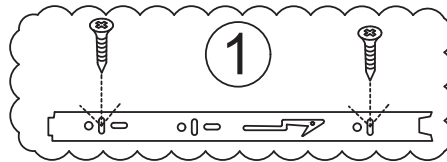
Drawer rail decomposition completed schematic diagram



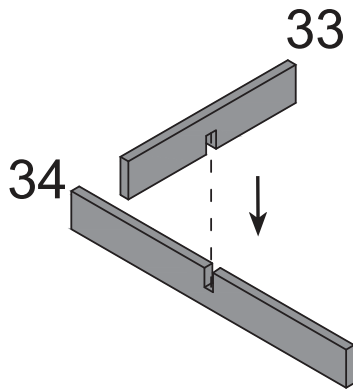
Step 6



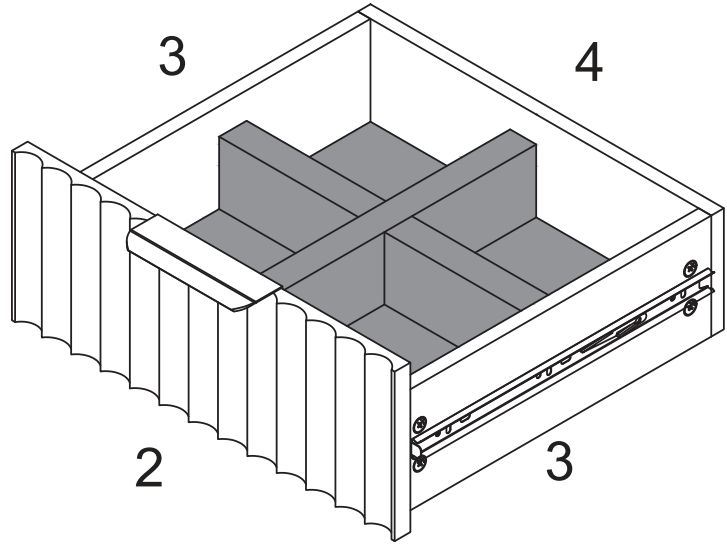
Step 7



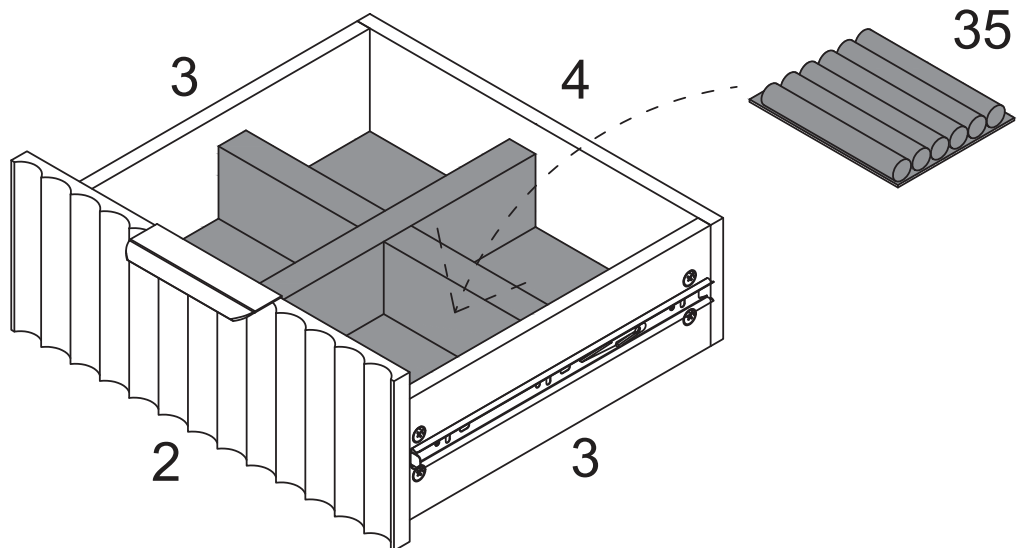
Step 8



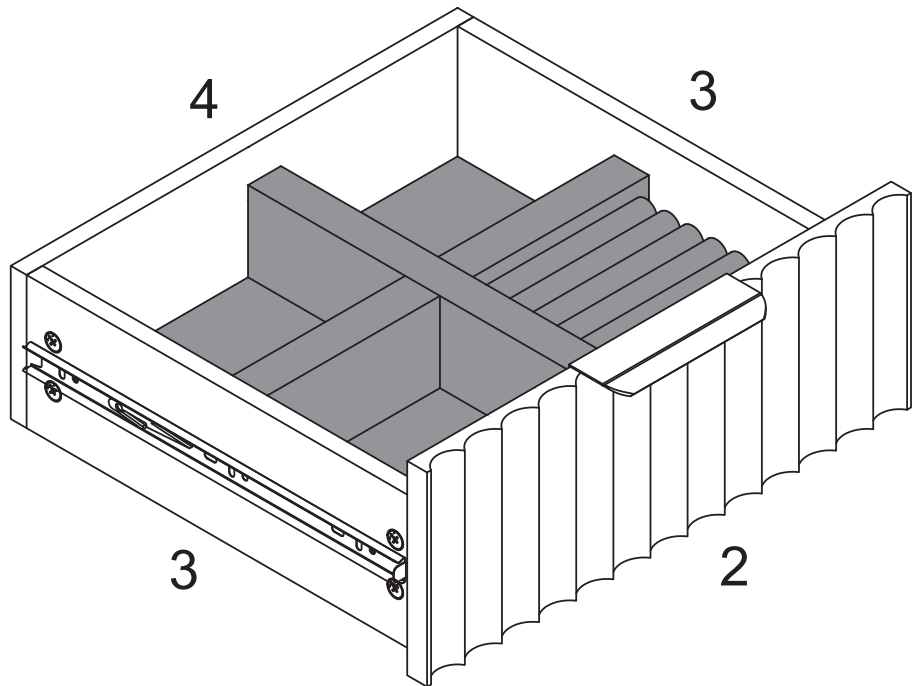
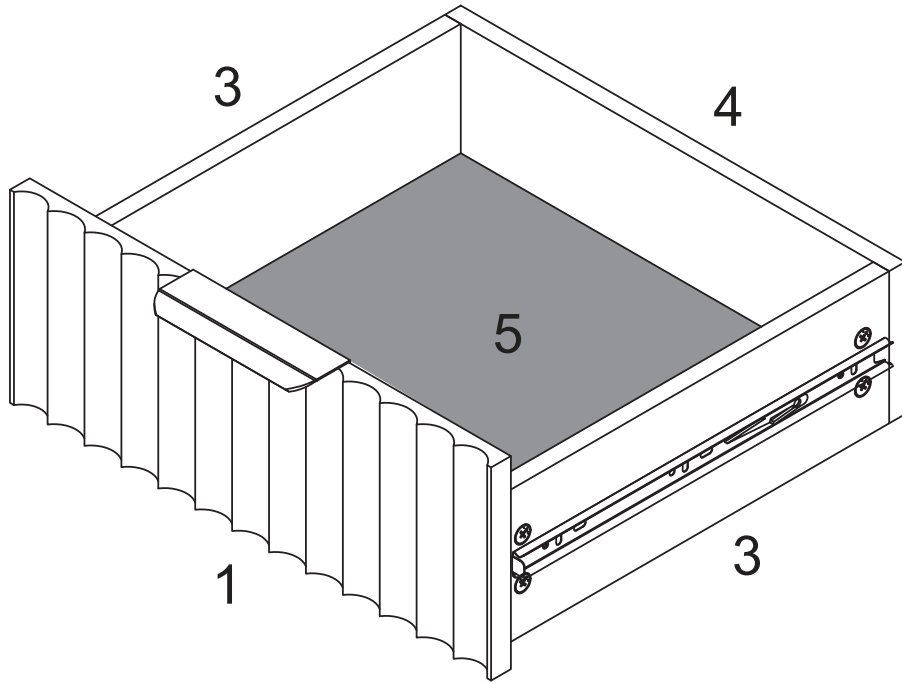
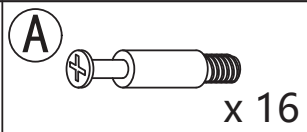
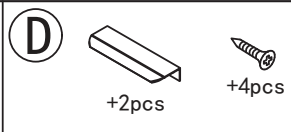
Stick the "33" board into the "34" board



Step 9

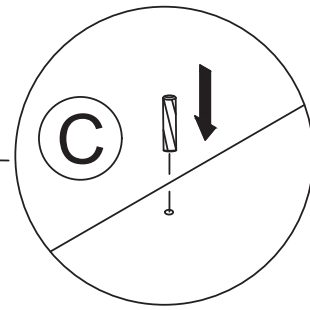
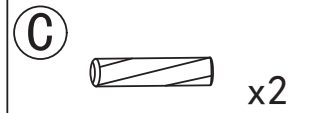
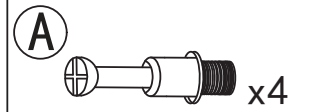
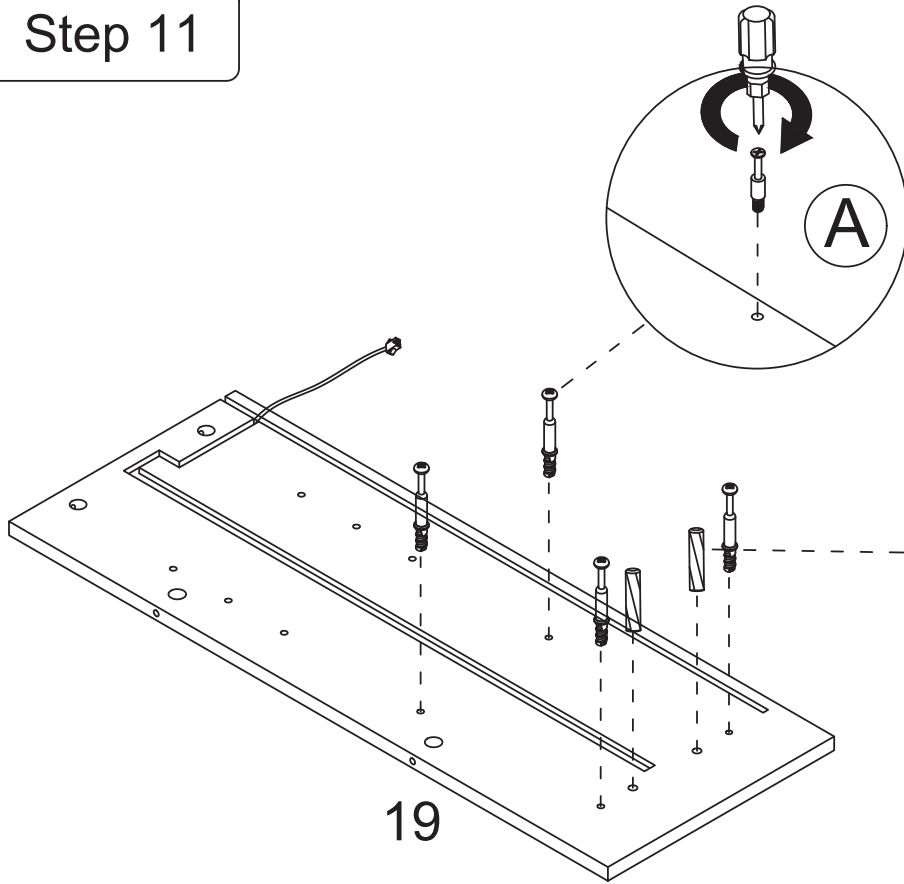


Step 10

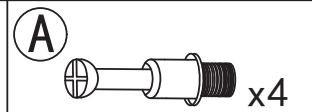
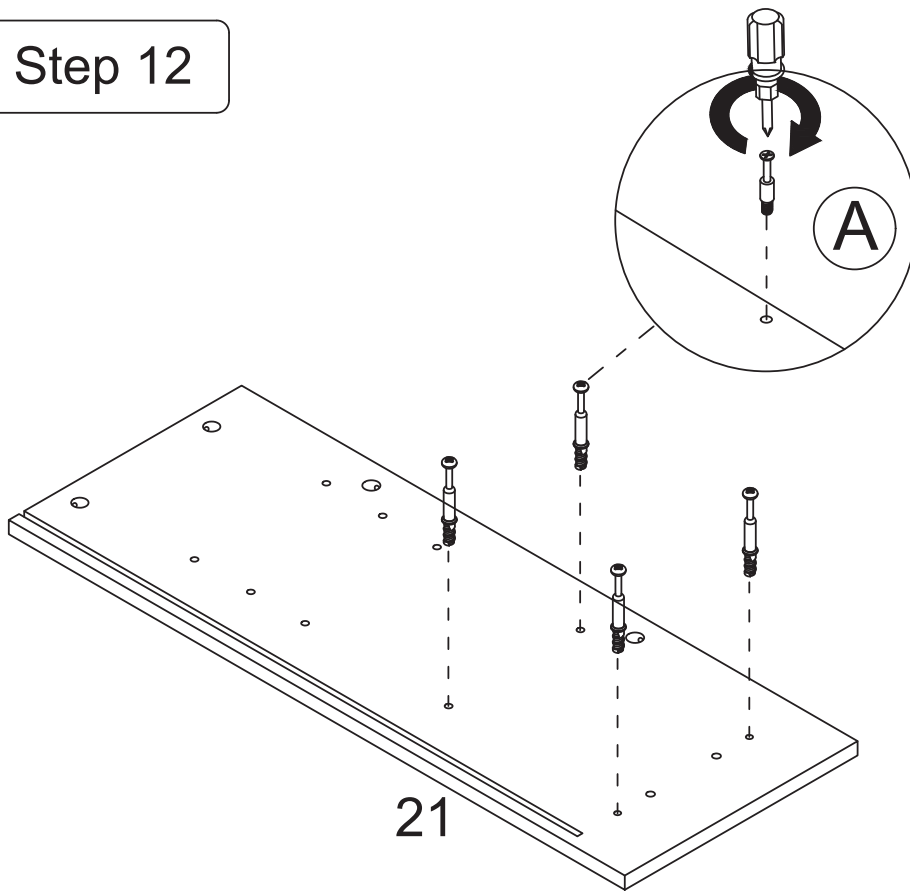


Repeat the drawer installation steps

Step 11

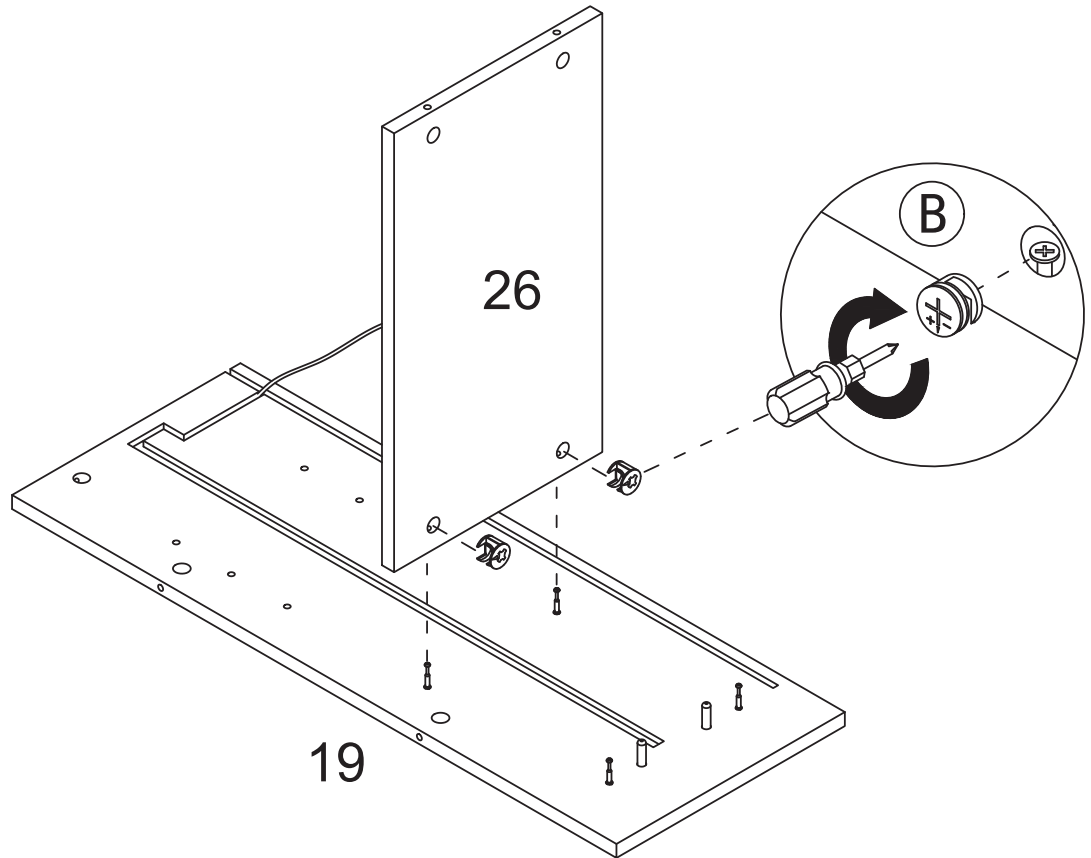


Step 12



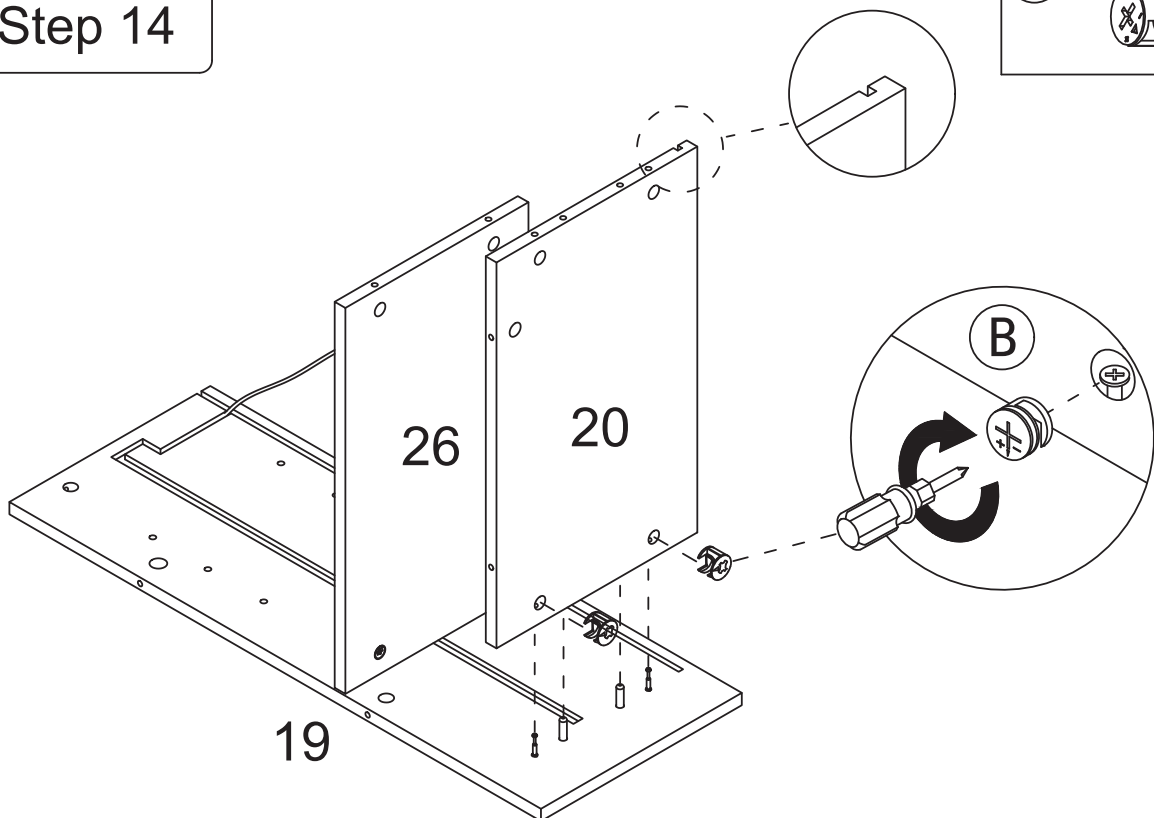
Step 13

B  x2




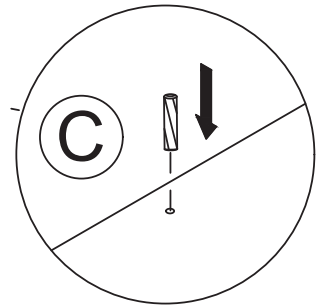
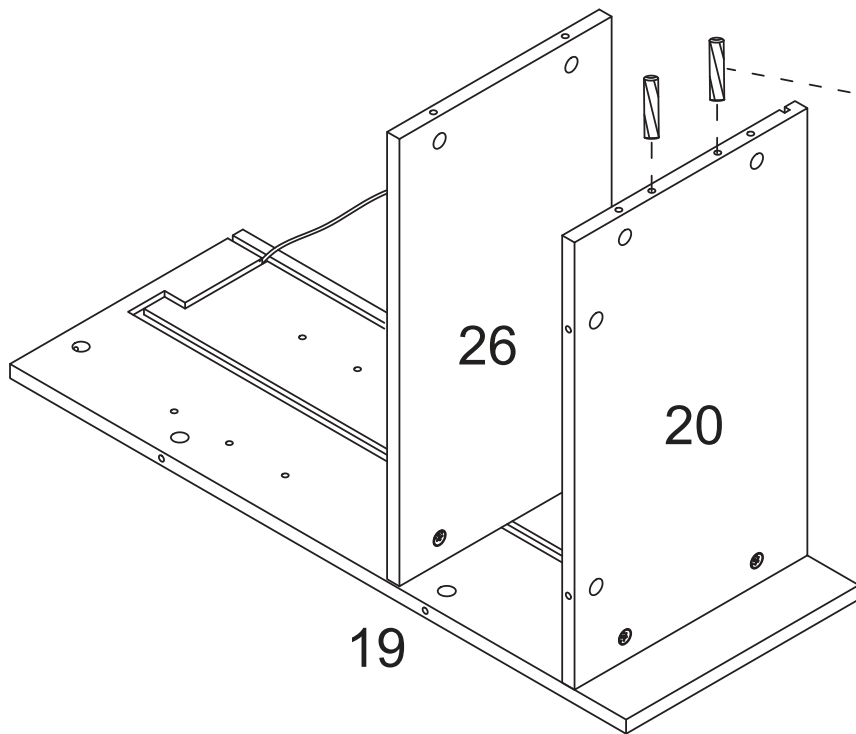
Step 14

B  x2



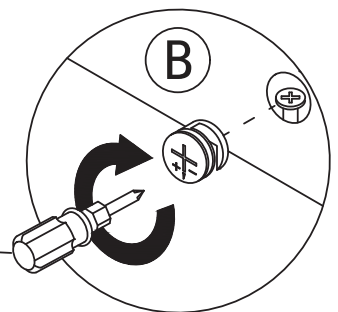
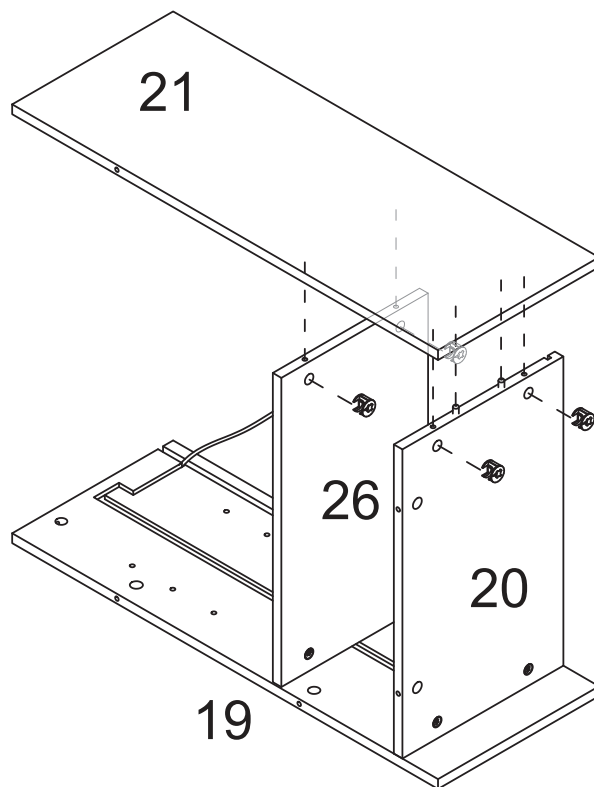
Step 15

C  x2

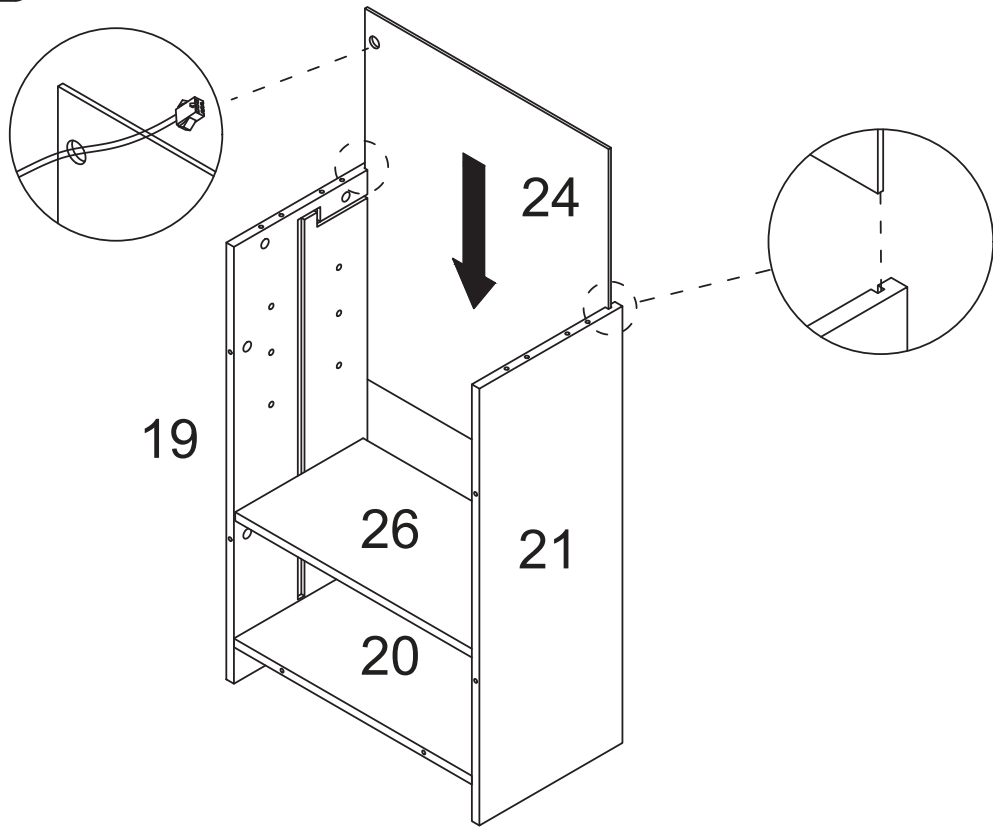


Step 16

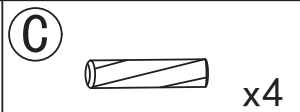
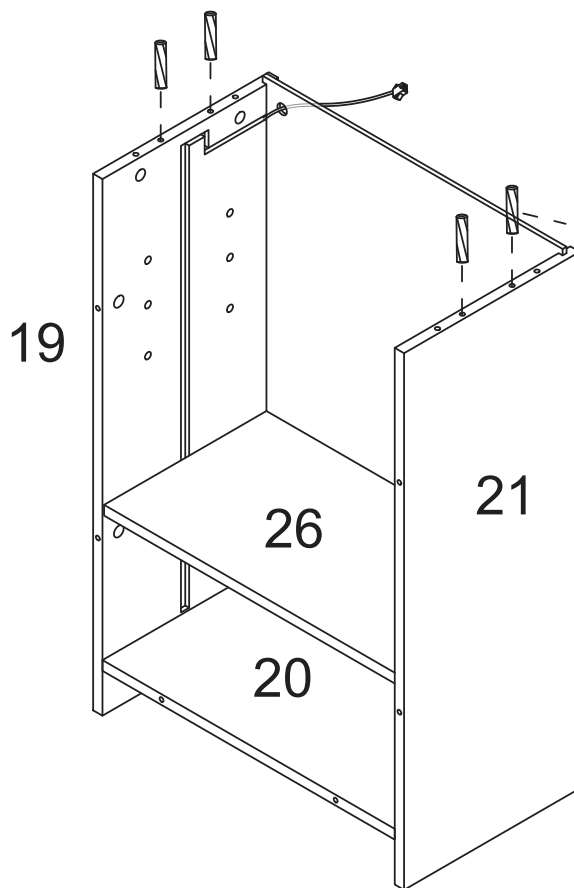
B  x4



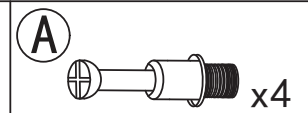
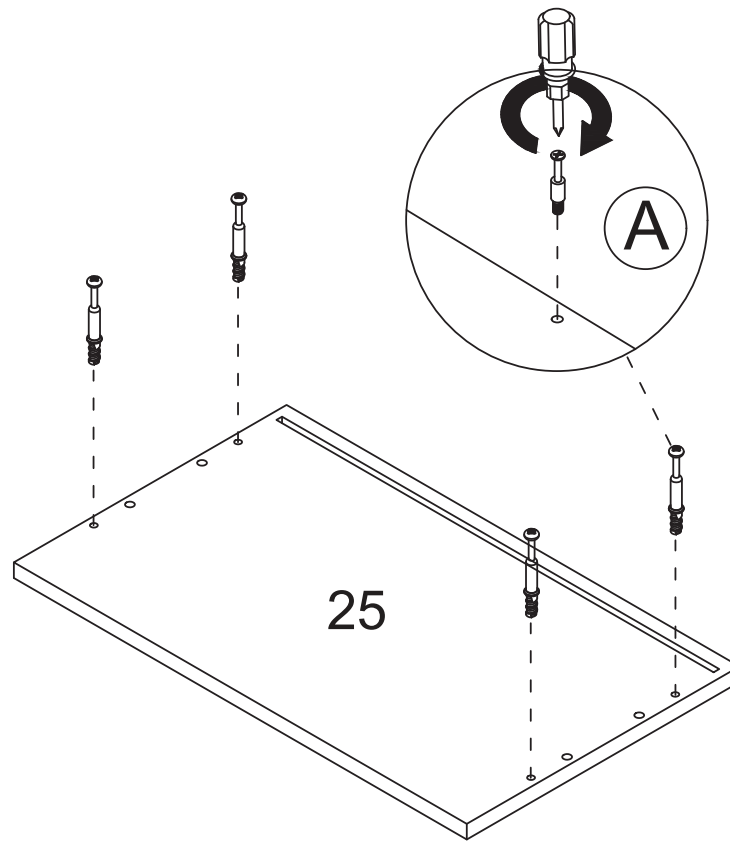
Step 17



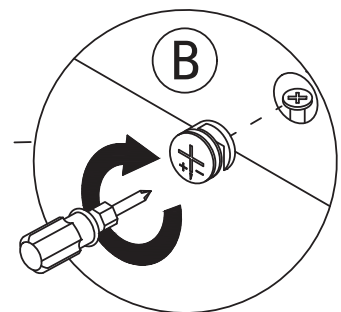
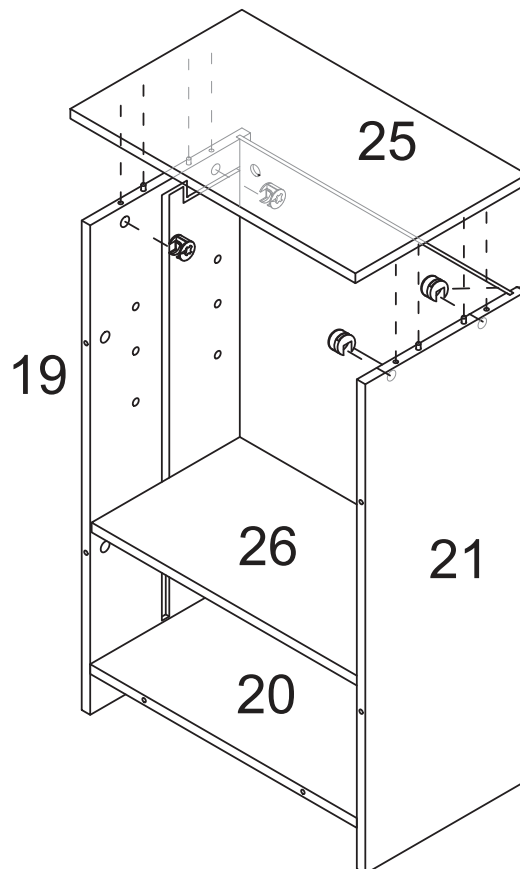
Step 18



Step 19



Step 20

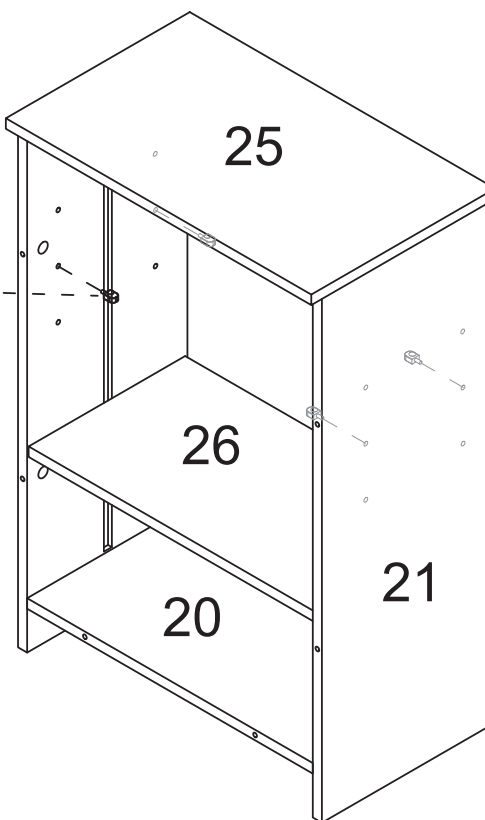
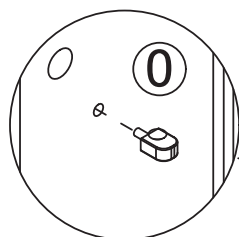


Step 21

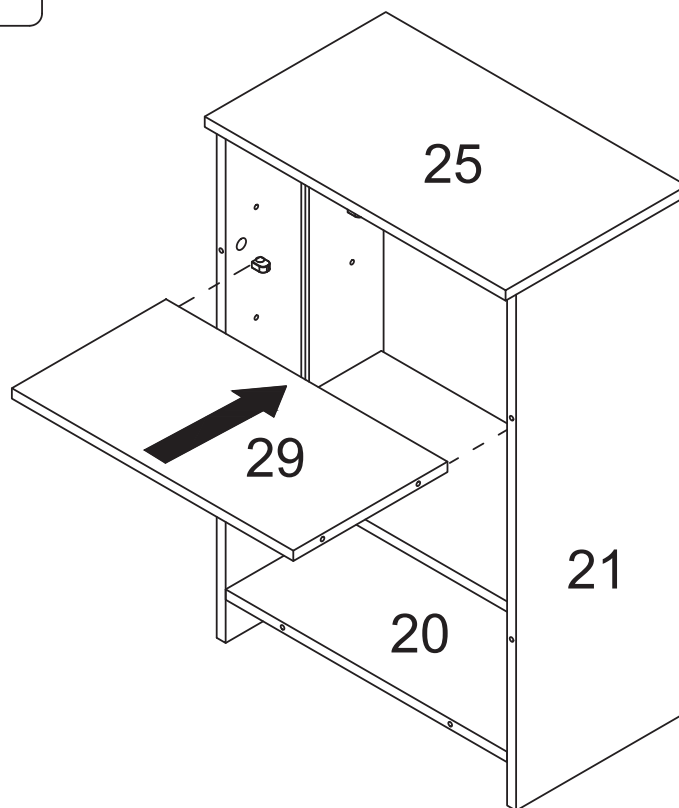
0



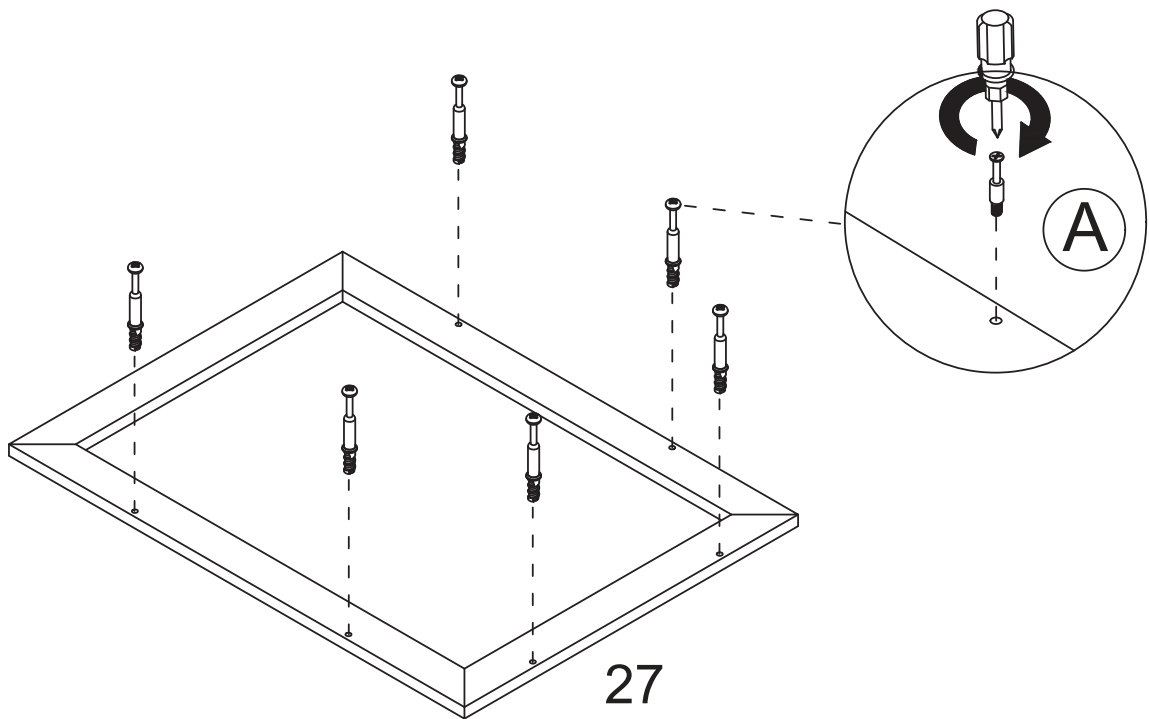
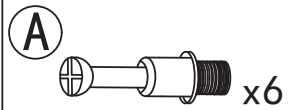
x4



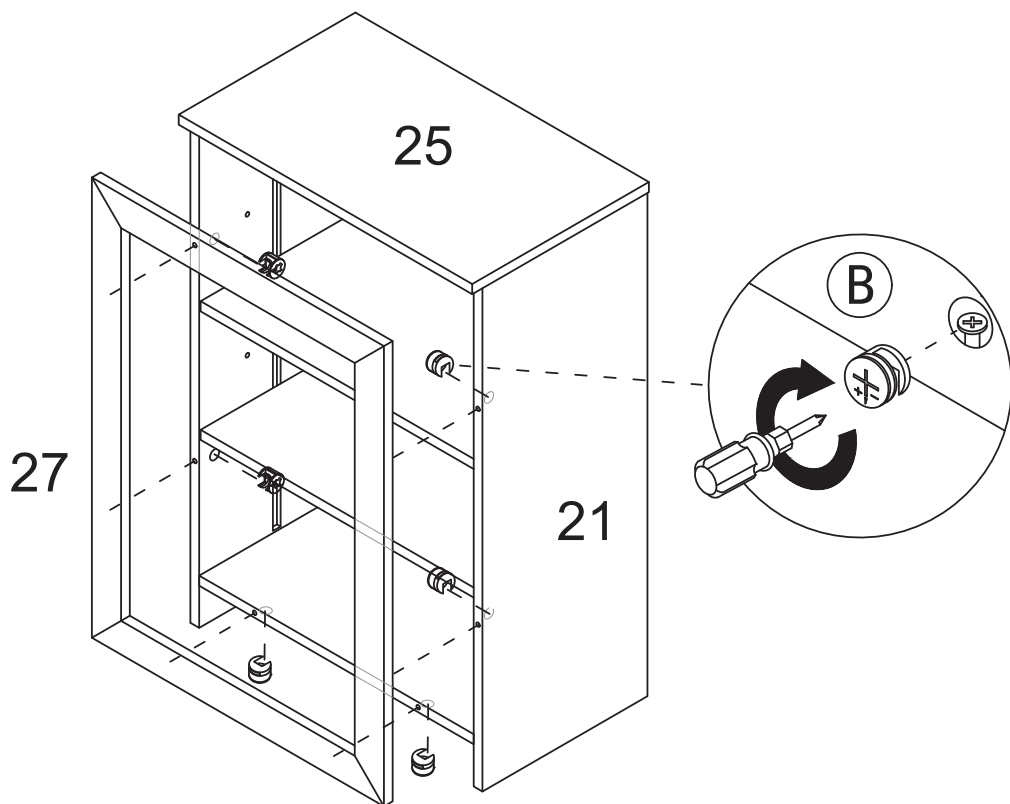
Step 22



Step 23

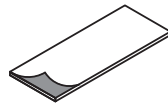


Step 24



SY

Step 25



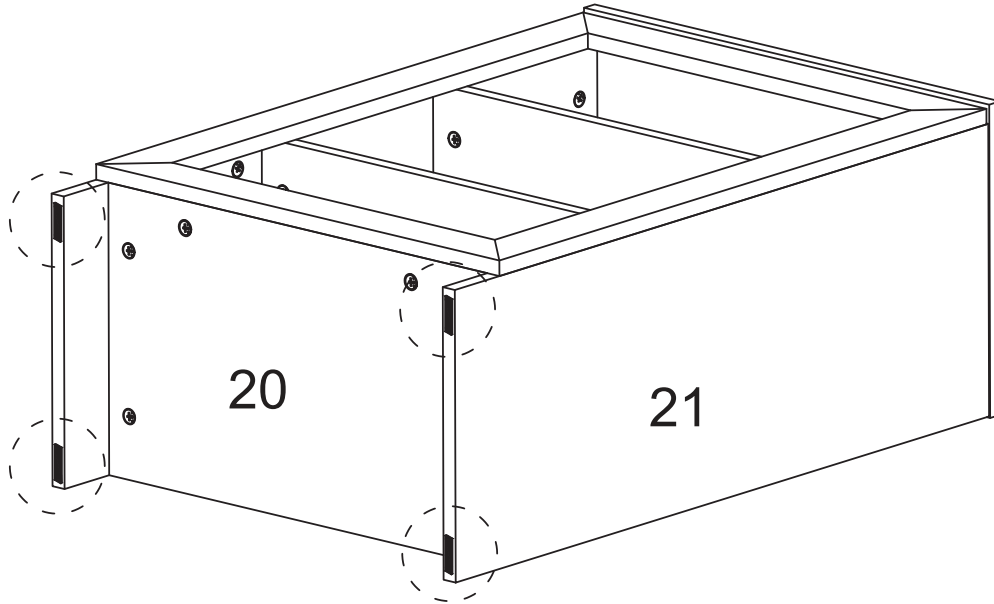
E

Remove the release paper and stick the black foot pad on the board.

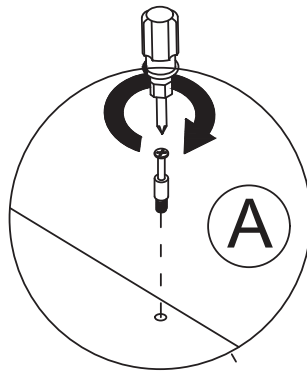
E



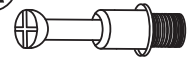
x4



Step 26



A

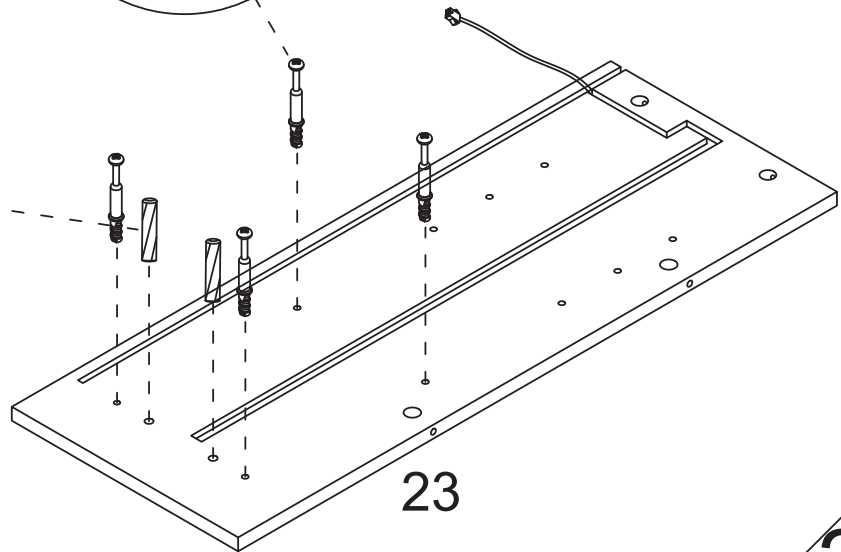
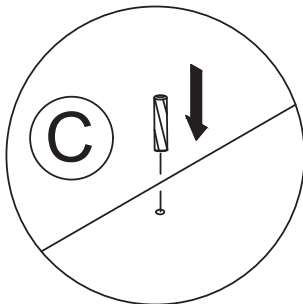


x4

C



x2

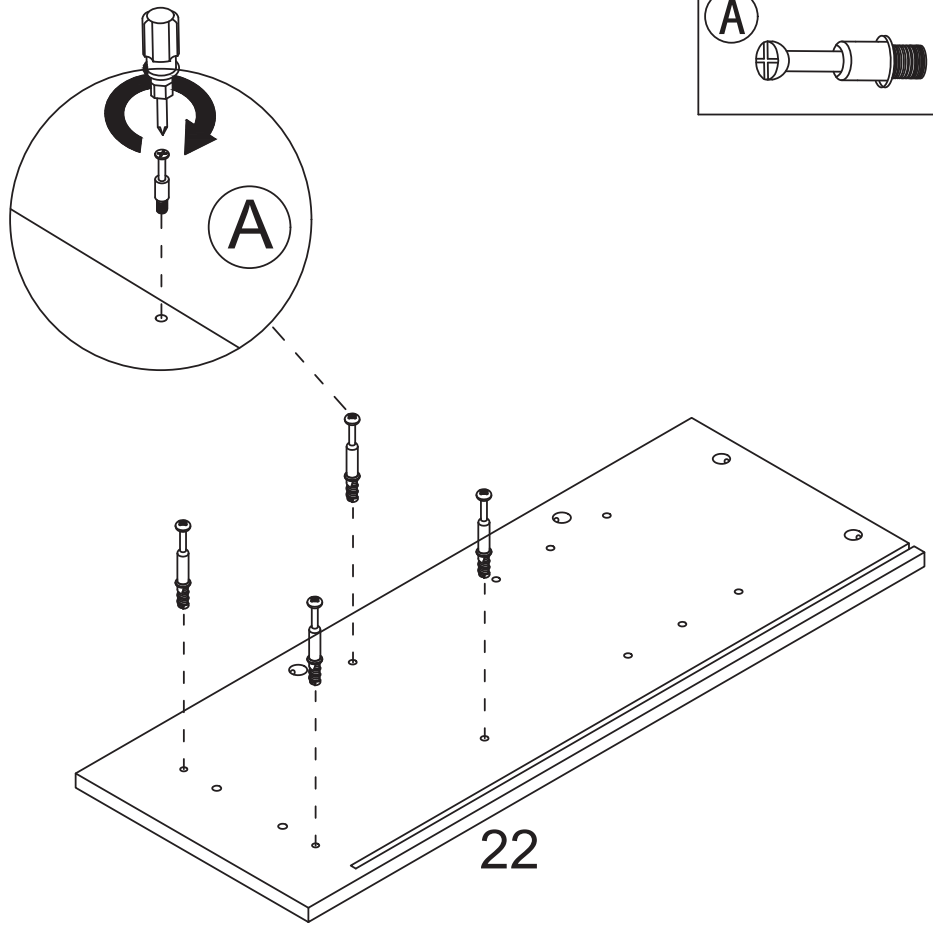
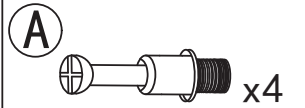


23

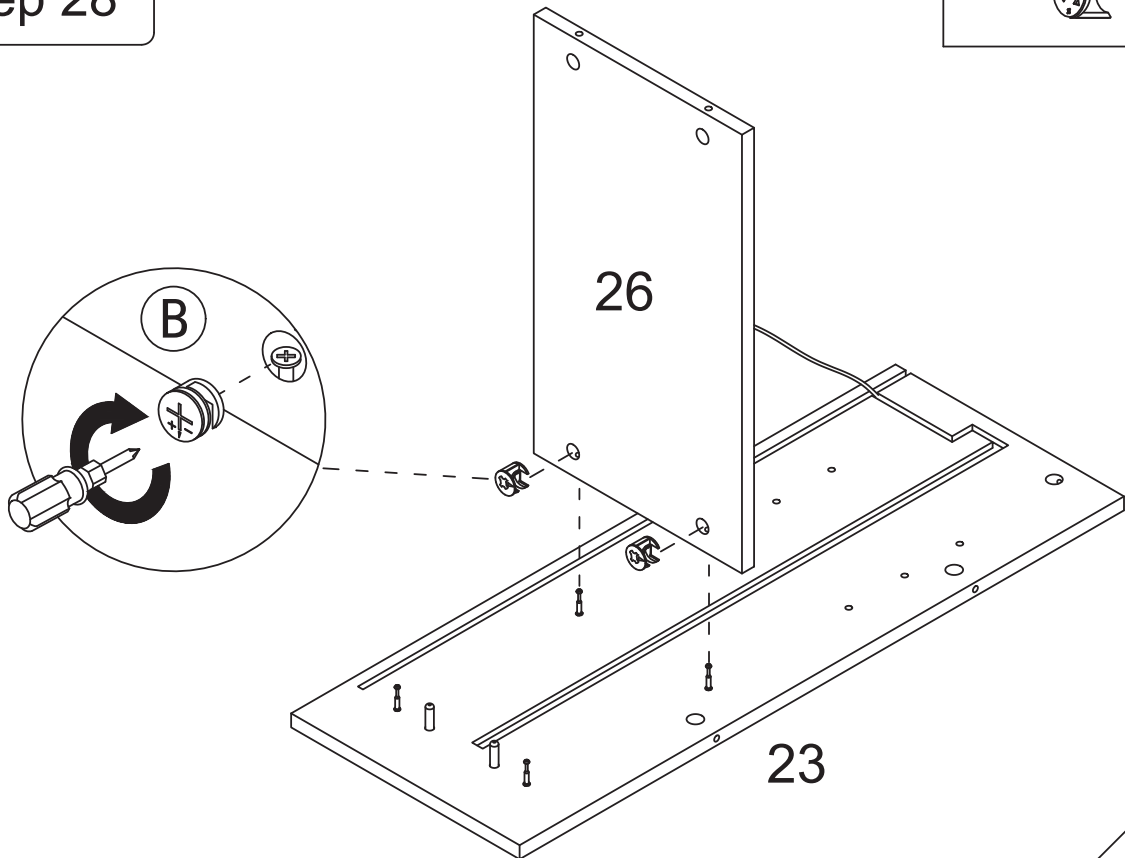
20

SY

Step 27




Step 28

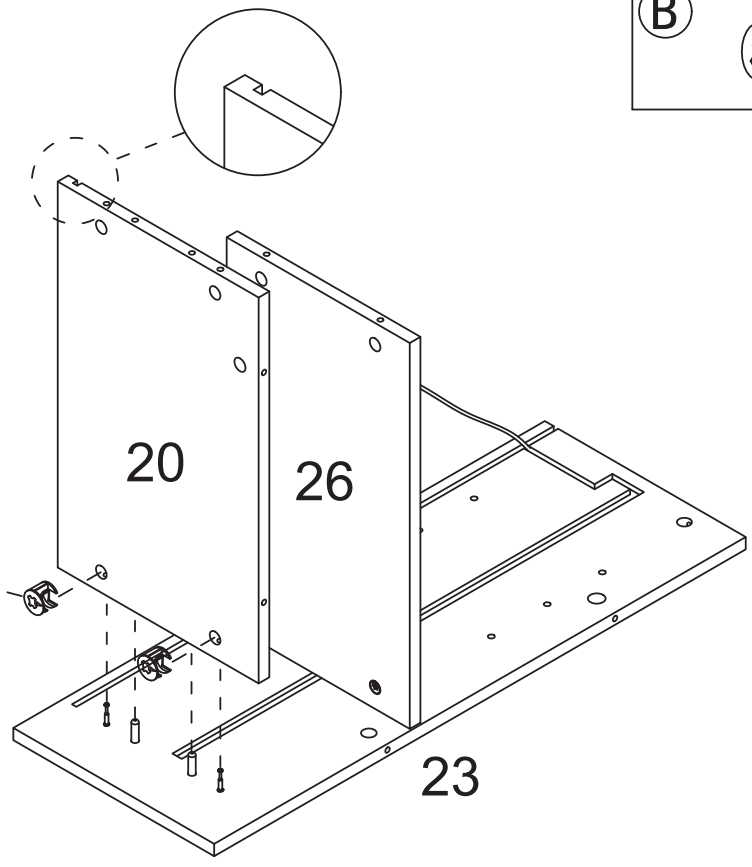
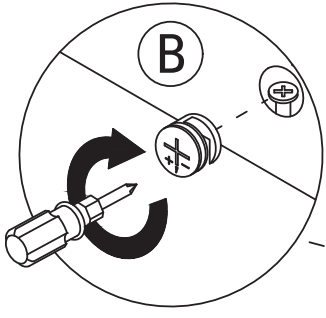


21


SY

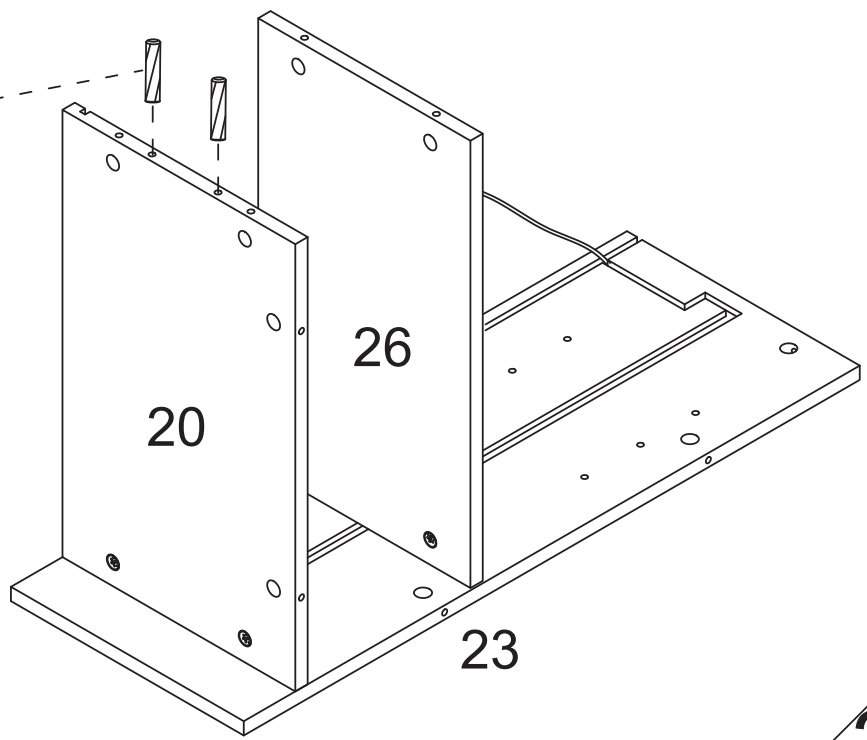
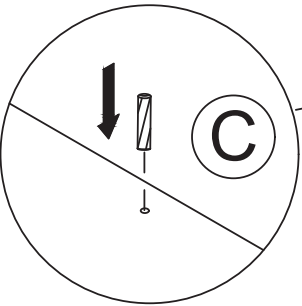
Step 29

B  x2



Step 30

C  x2

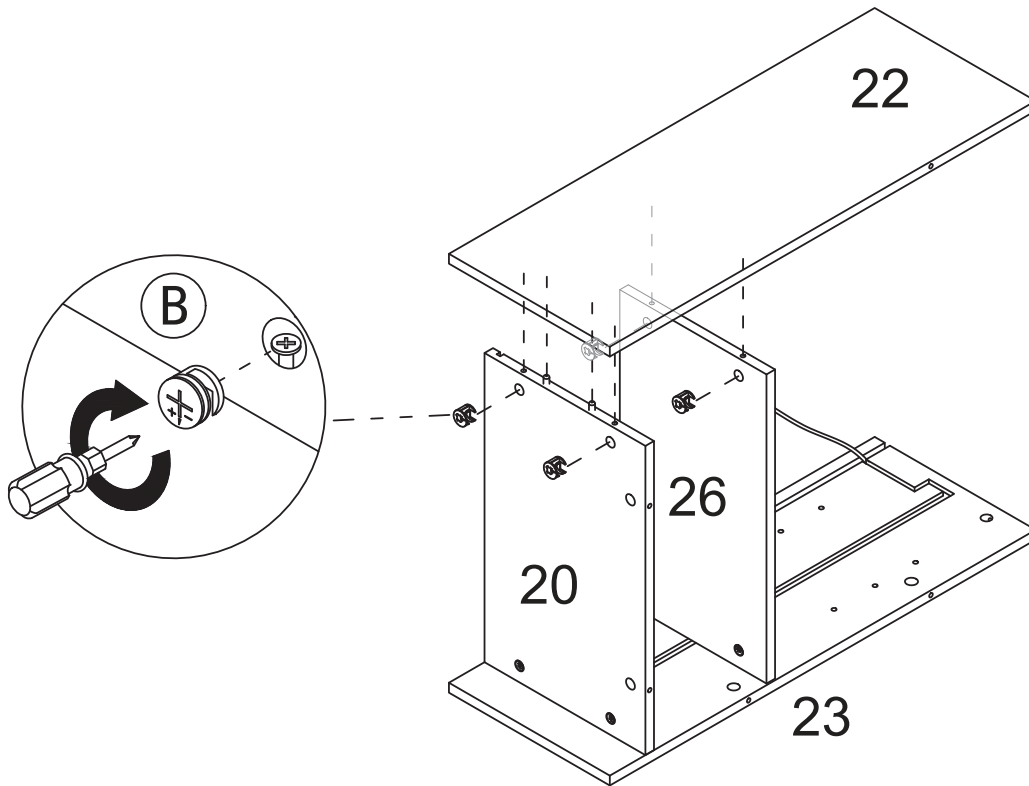


Step 31

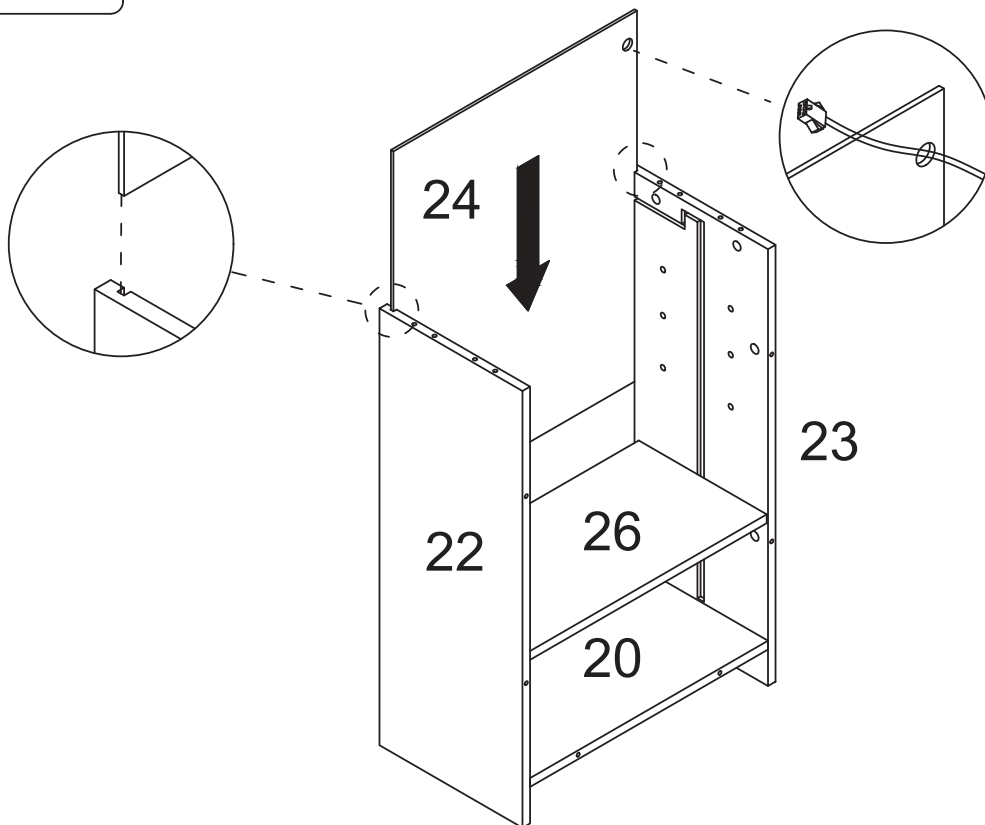
B



x4



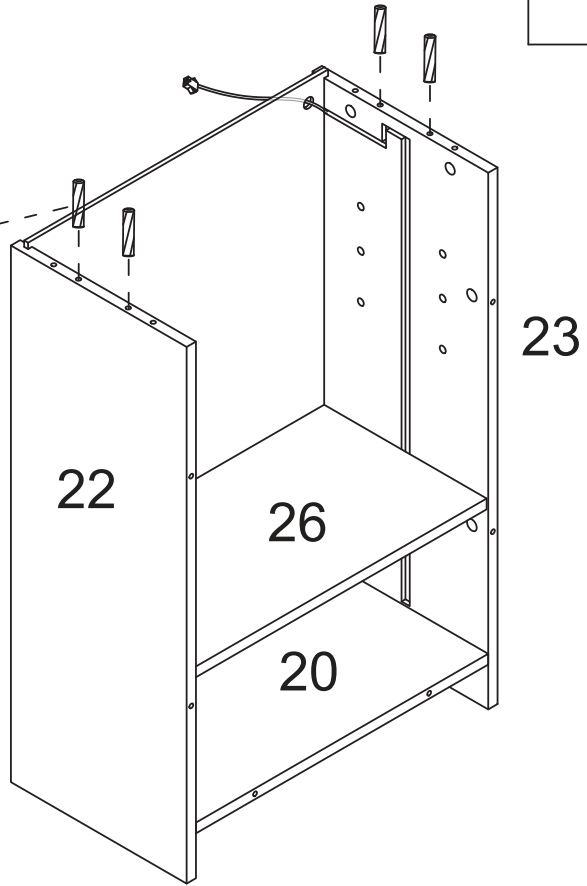
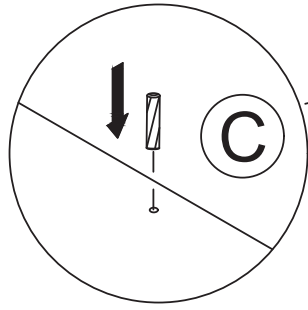
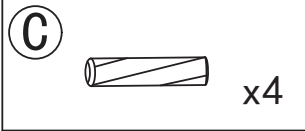
Step 32



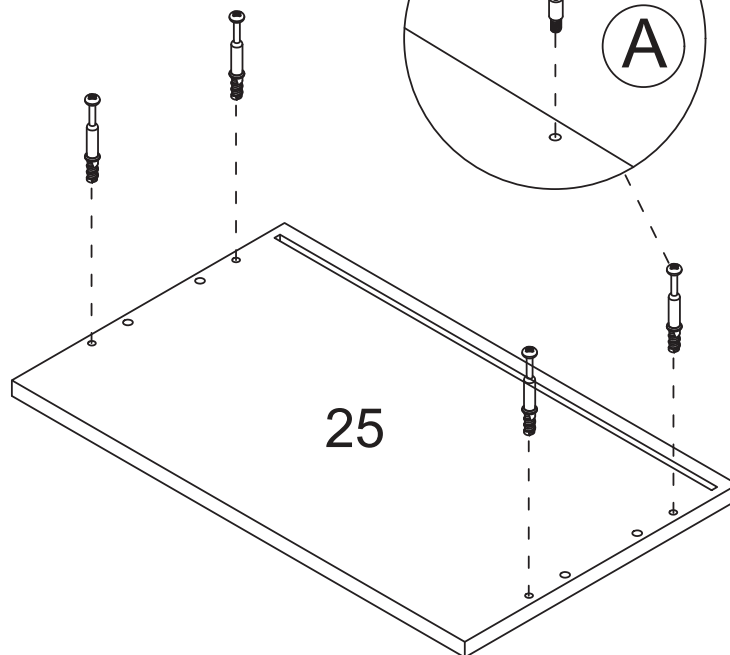
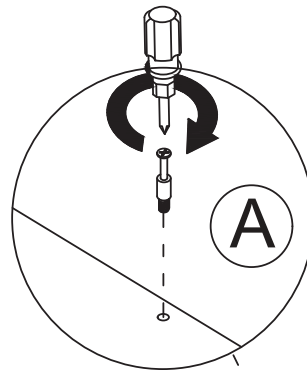
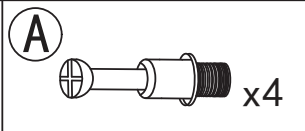
23

SY

Step 33



Step 34

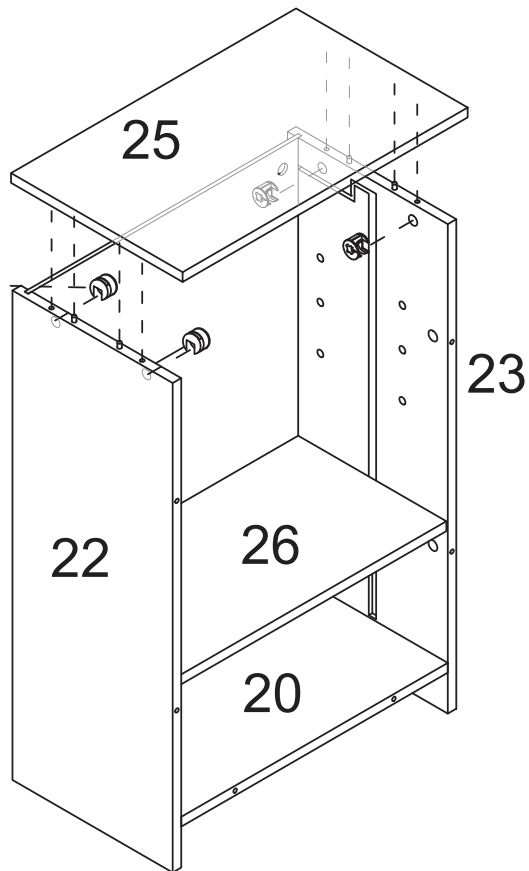
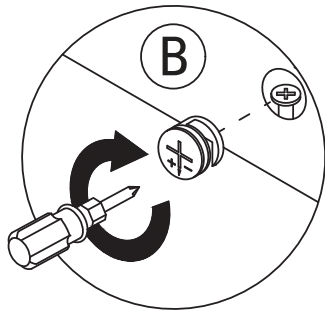


Step 35

B



x4

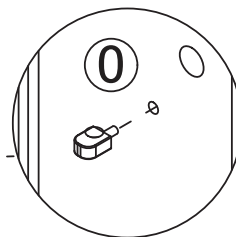
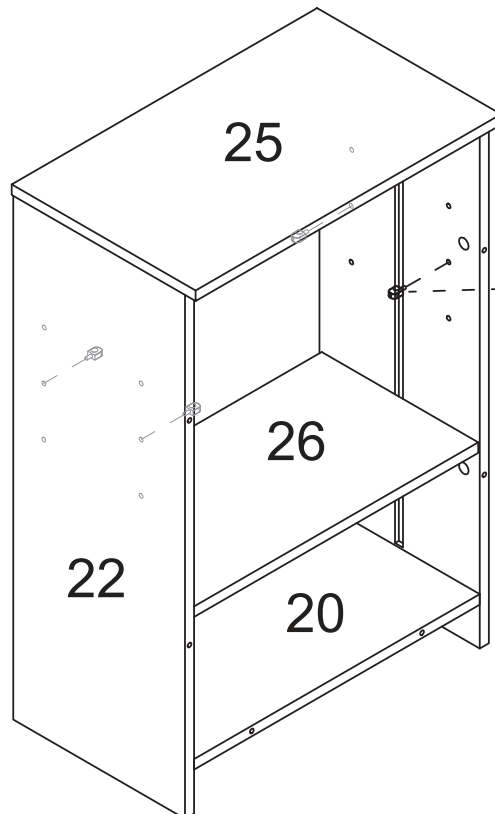


Step 36

O

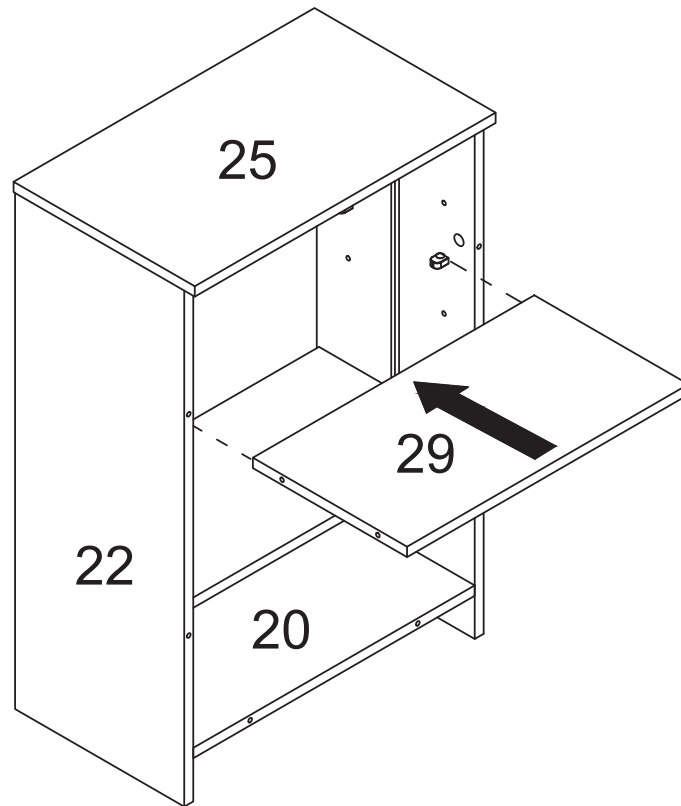


x4

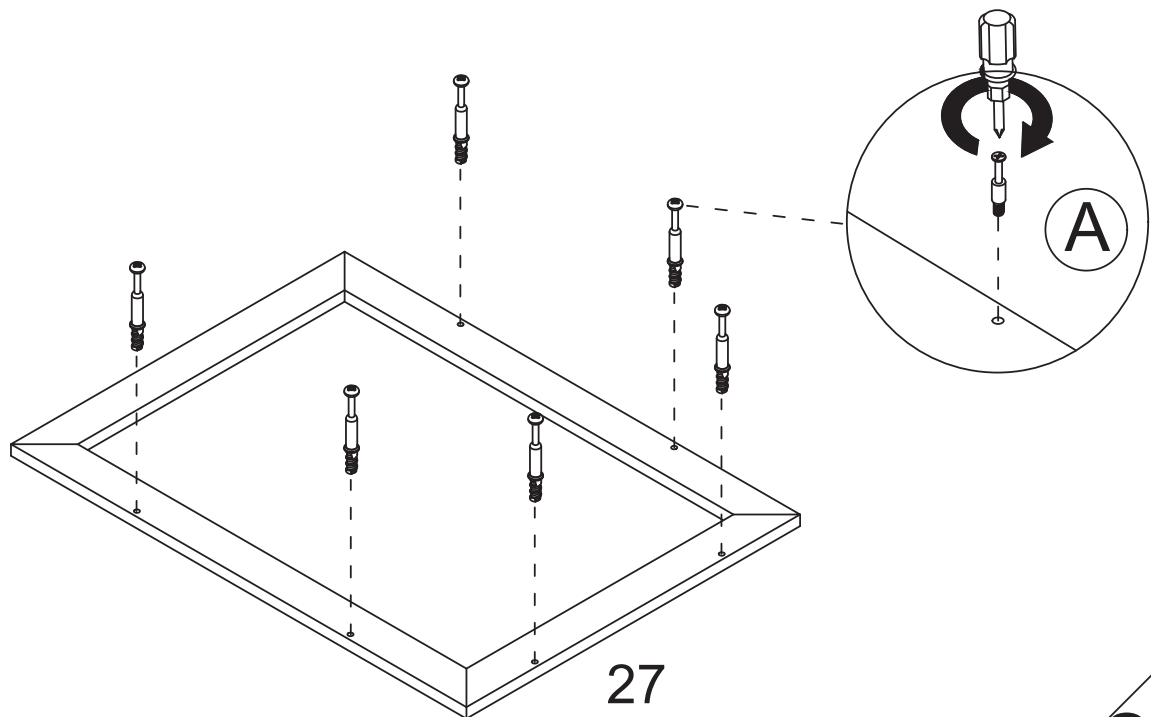
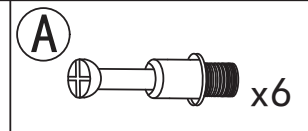


25

Step 37



Step 38



26

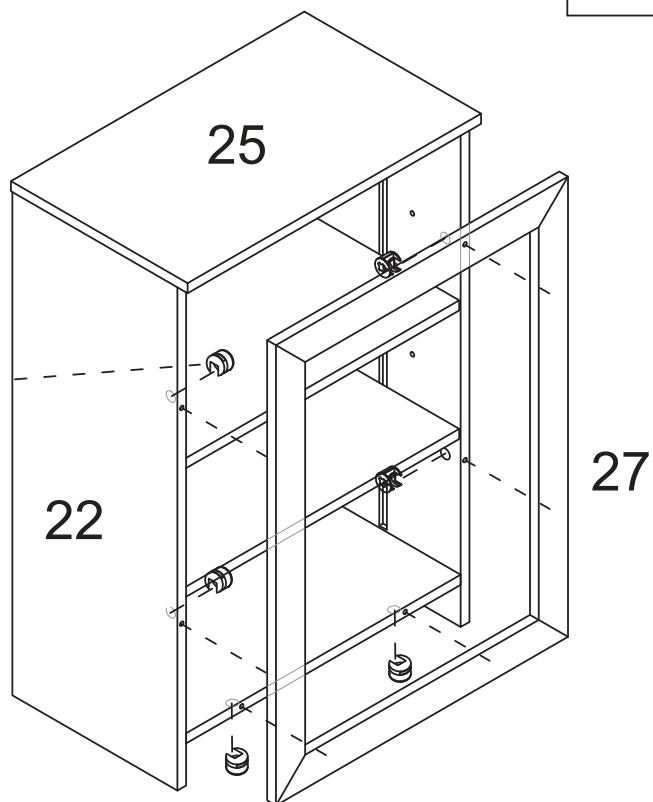
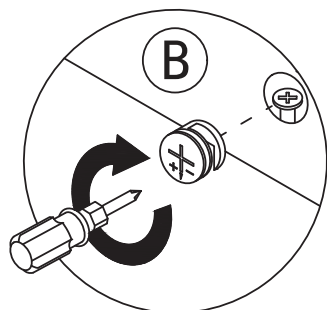
SY

Step 39

B



x6

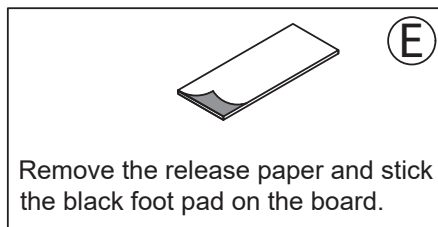


Step 40

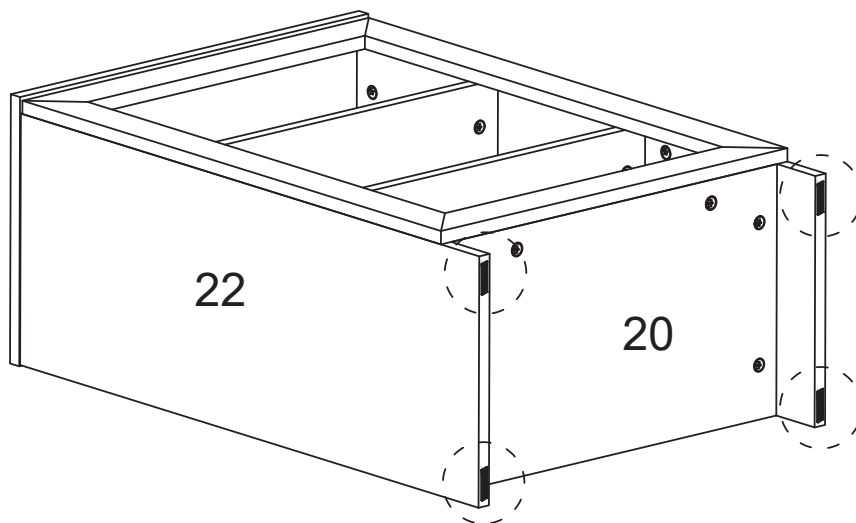
E



x4

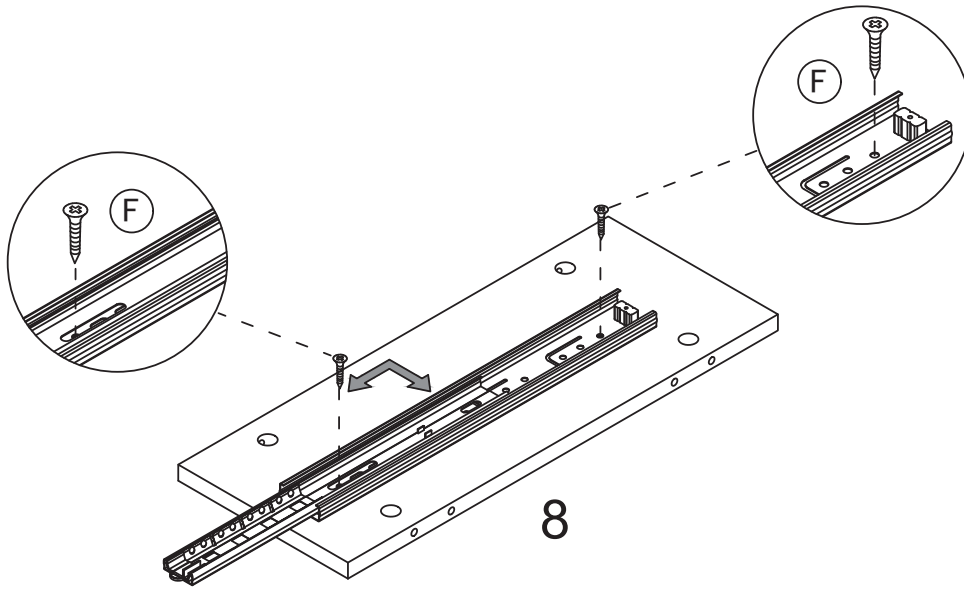
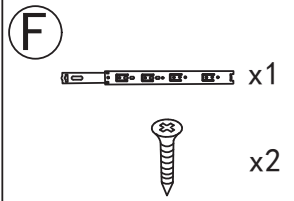
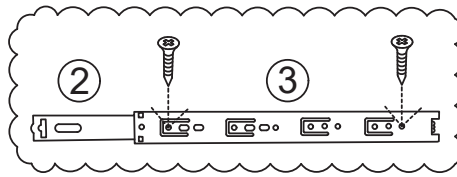


Remove the release paper and stick the black foot pad on the board.

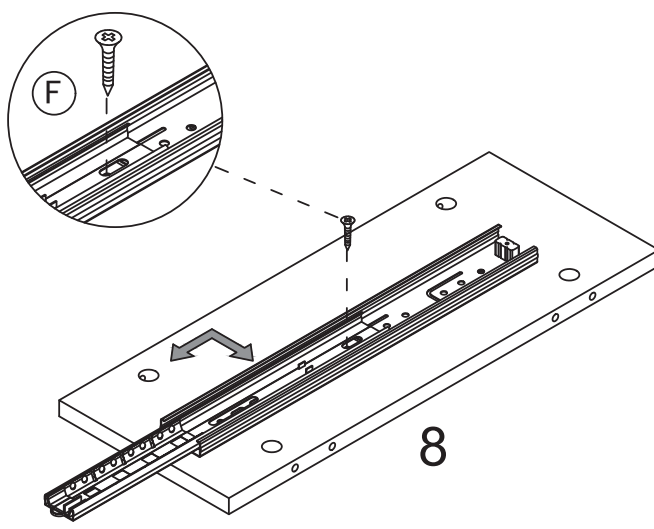
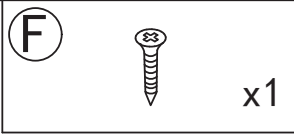
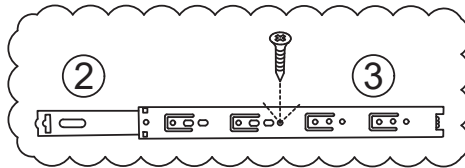


27

Step 41

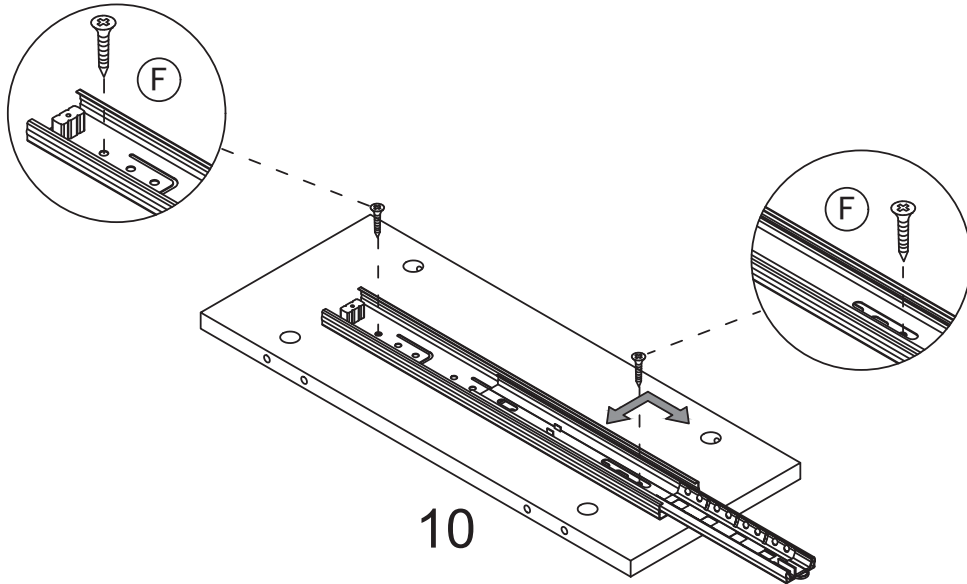
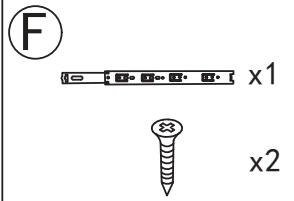
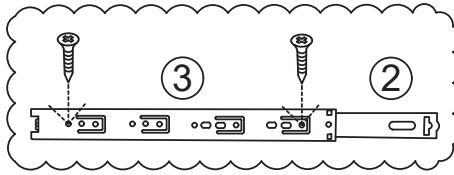


Step 42

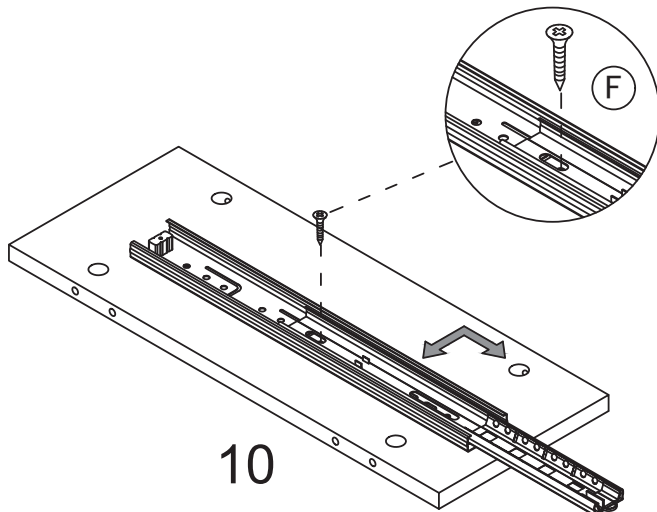
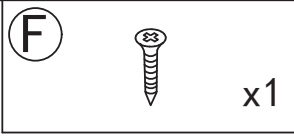
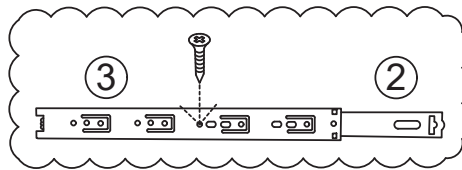


This hole is for reinforcement. Customers can choose to install it according to their needs.

Step 43

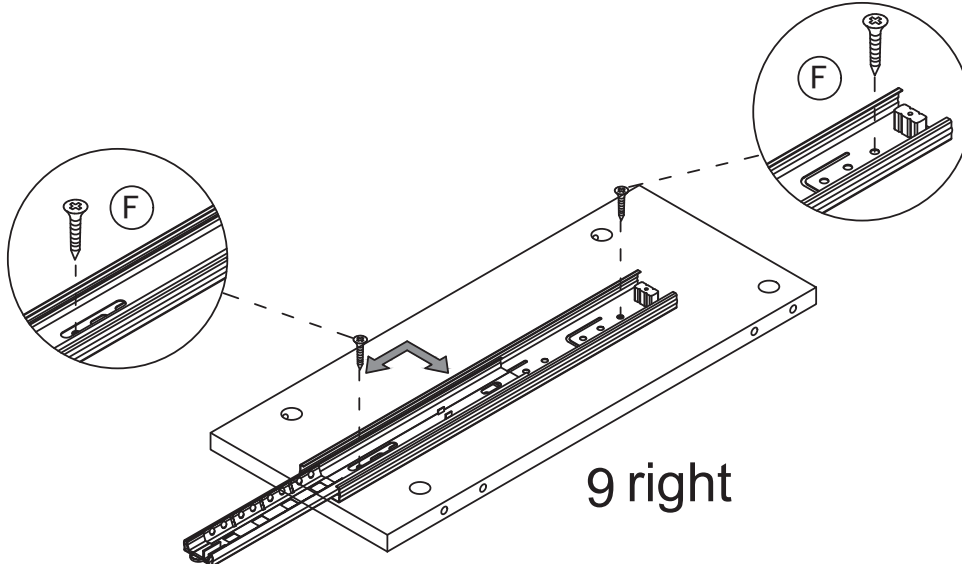
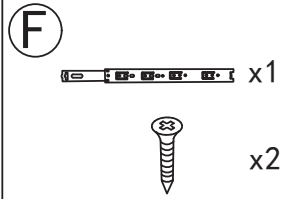
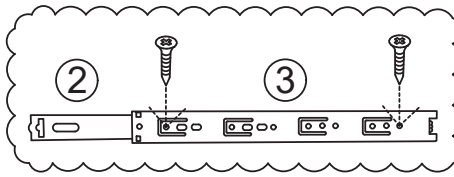


Step 44

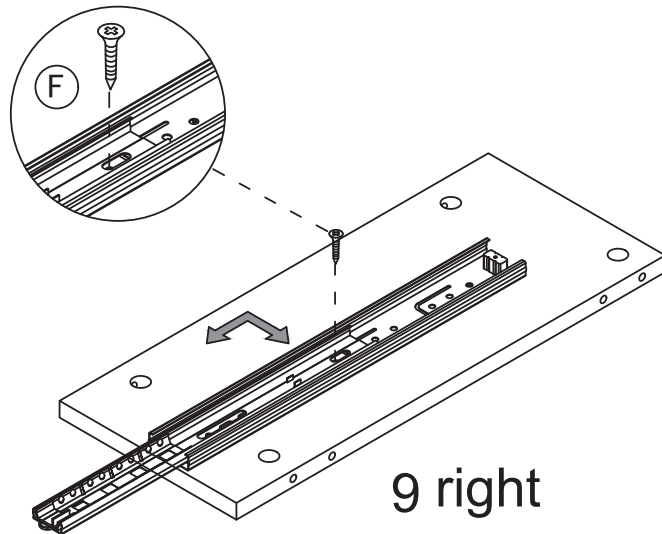
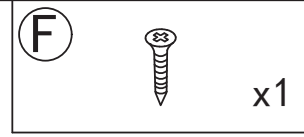
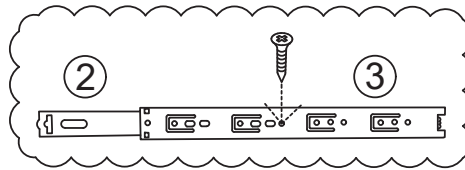


This hole is for reinforcement. Customers can choose to install it according to their needs.

Step 45

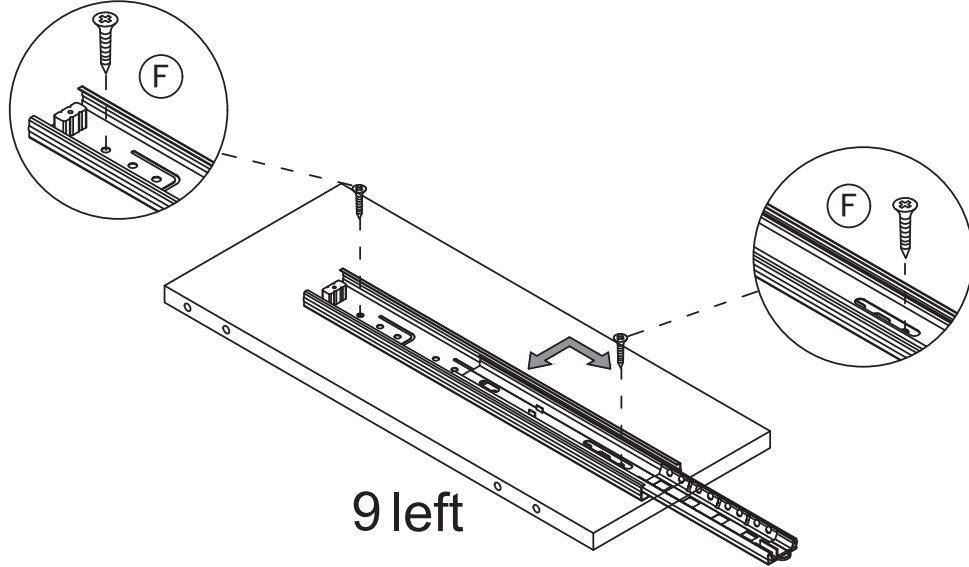
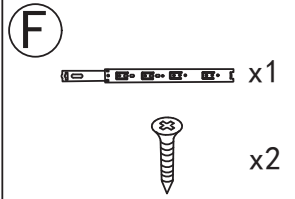
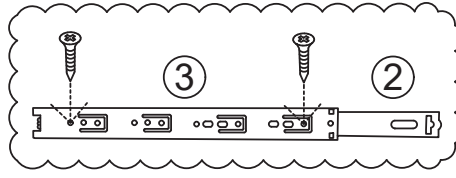


Step 46

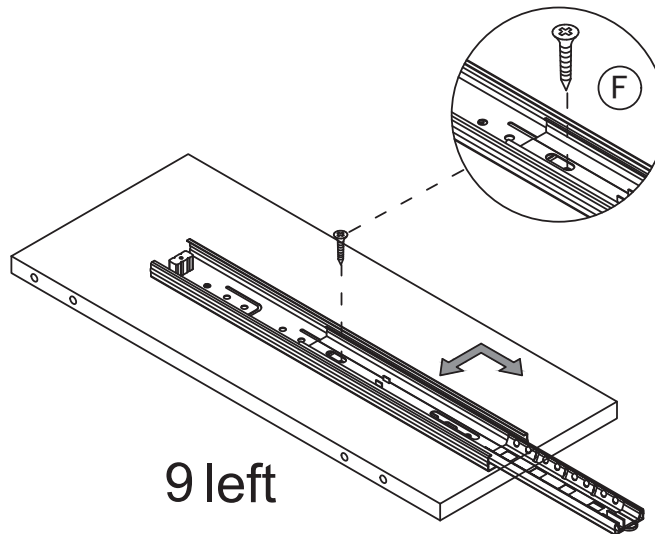
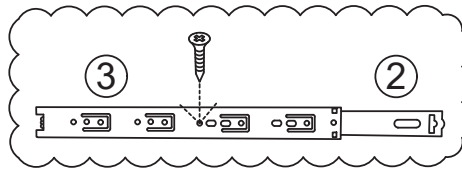


This hole is for reinforcement. Customers can choose to install it according to their needs.

Step 47

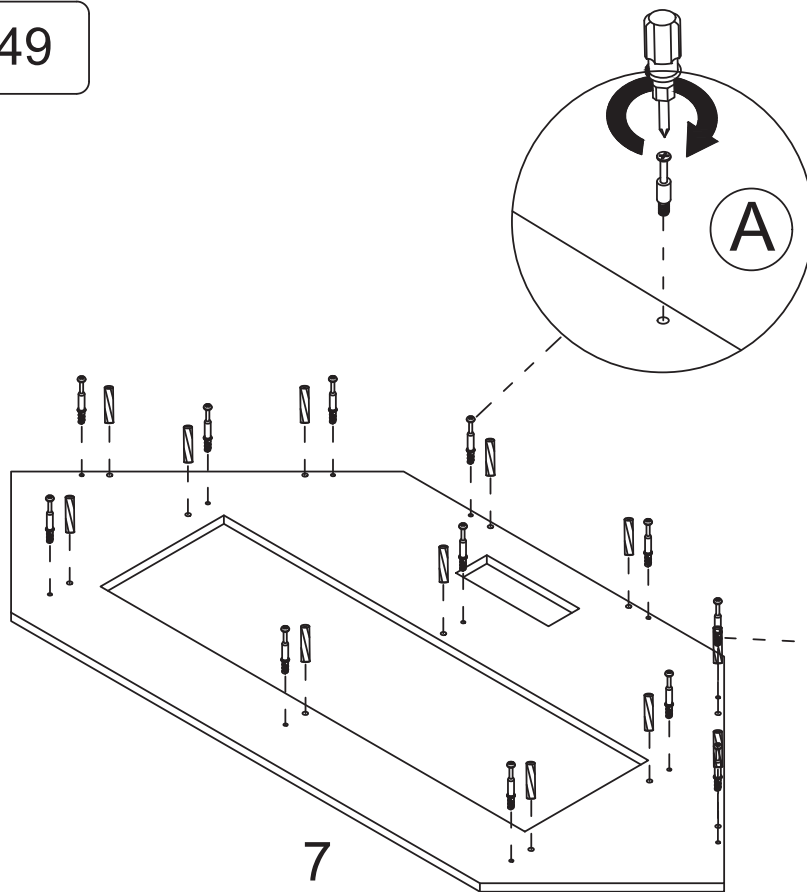


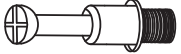

Step 48

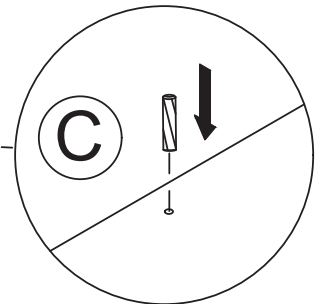


This hole is for reinforcement. Customers can choose to install it according to their needs.

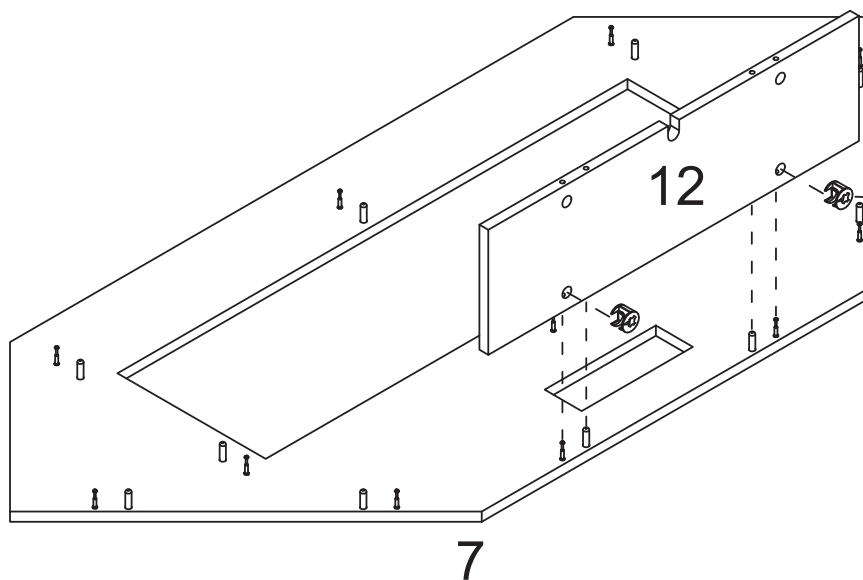
Step 49



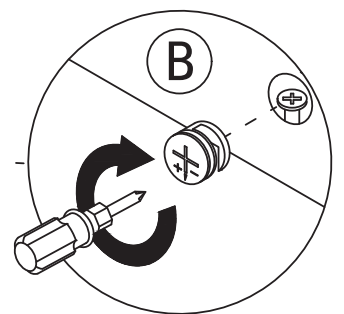
- (A)  x12
- (C)  x12



Step 50



- (B)  x2

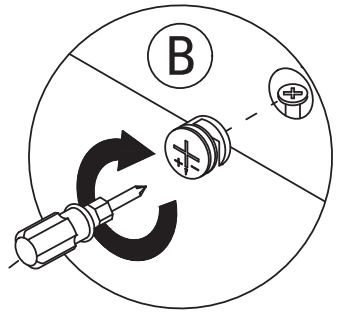
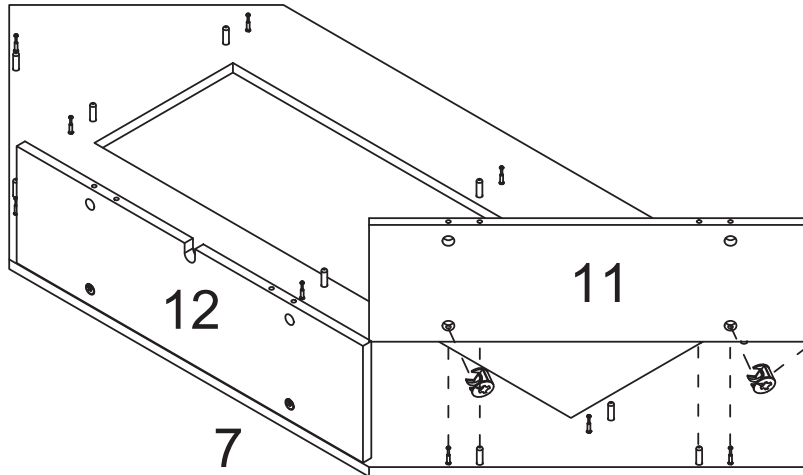


Step 51

B



x2

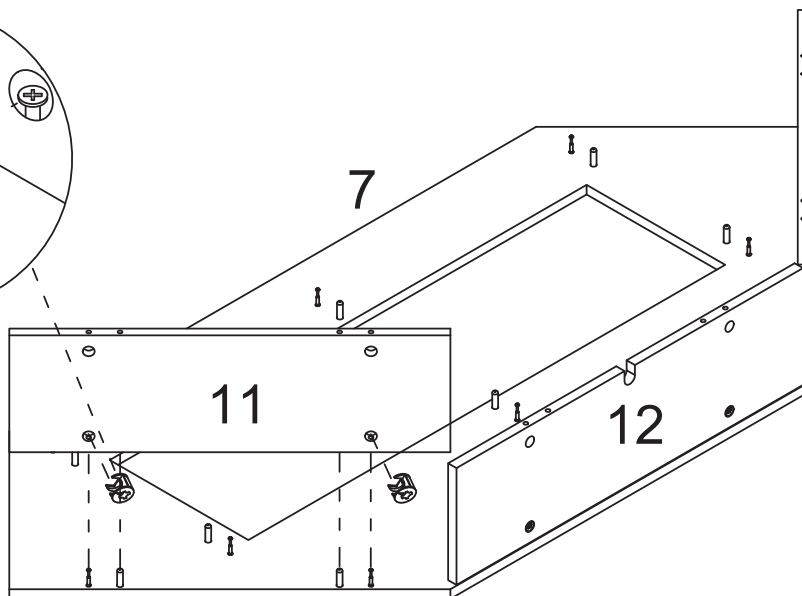
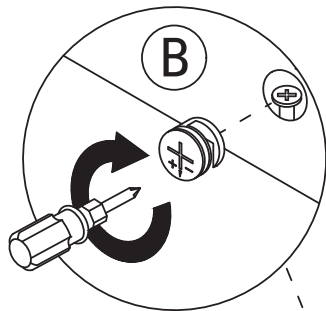


Step 52

B



x2

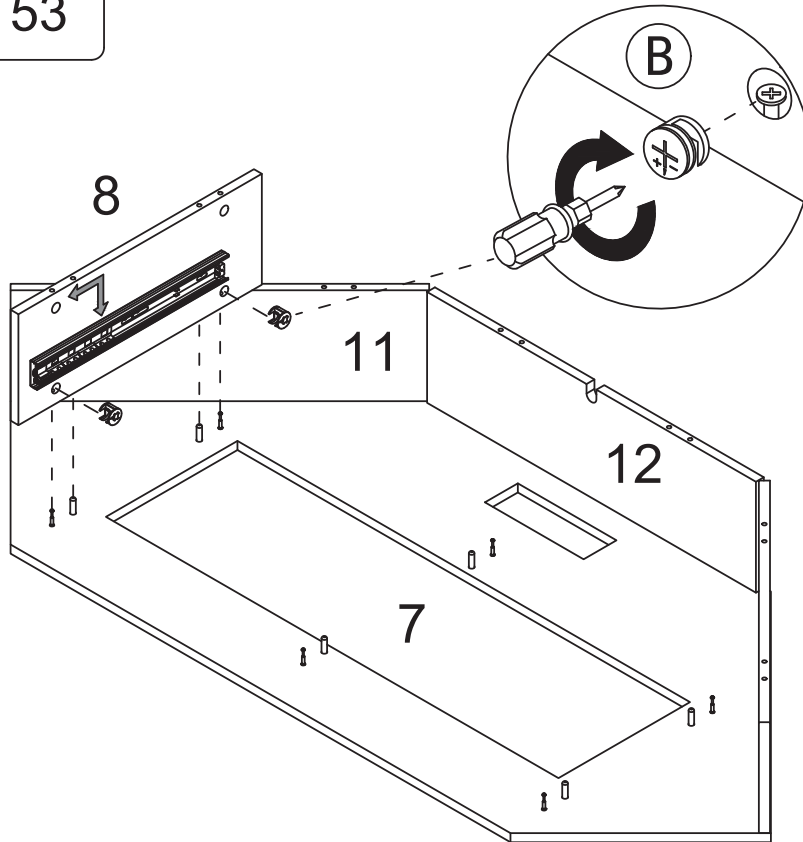


Step 53

B



x2

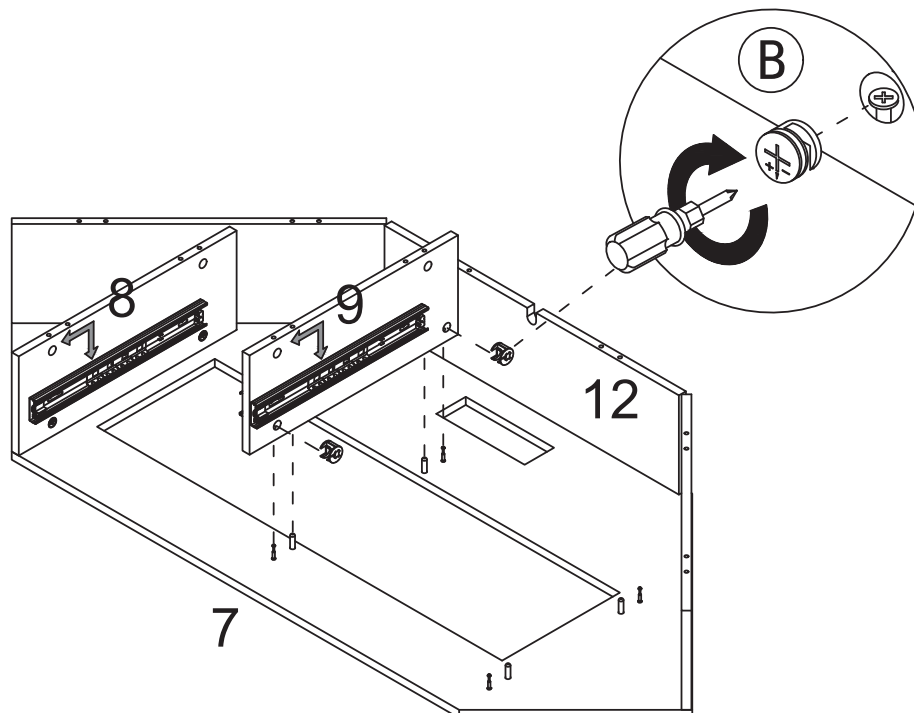


Step 54

B



x2

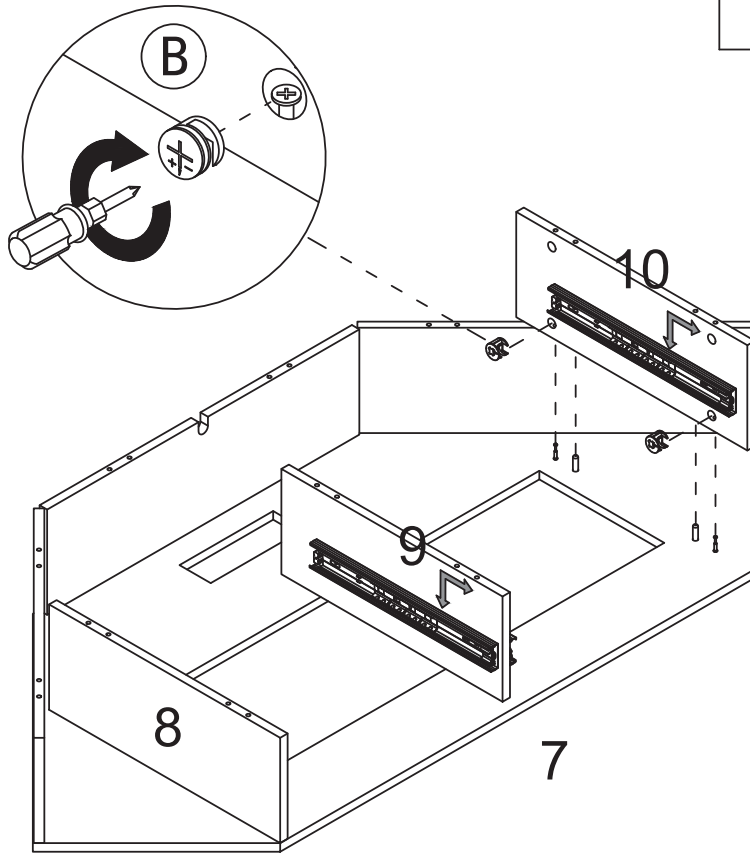


Step 55

B

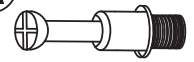


x2

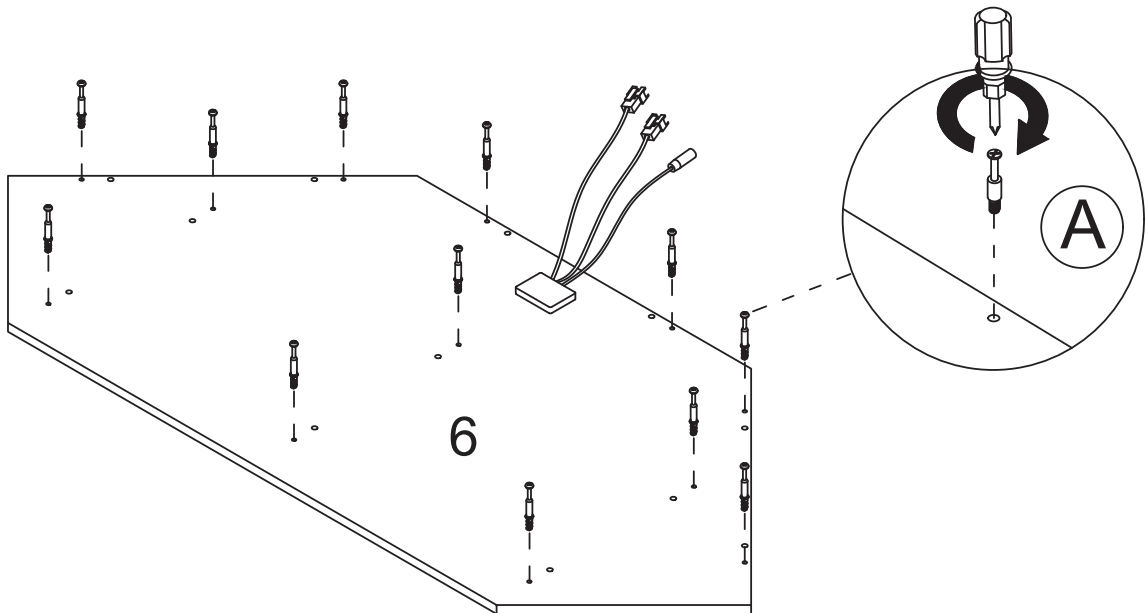


Step 56

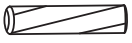
A

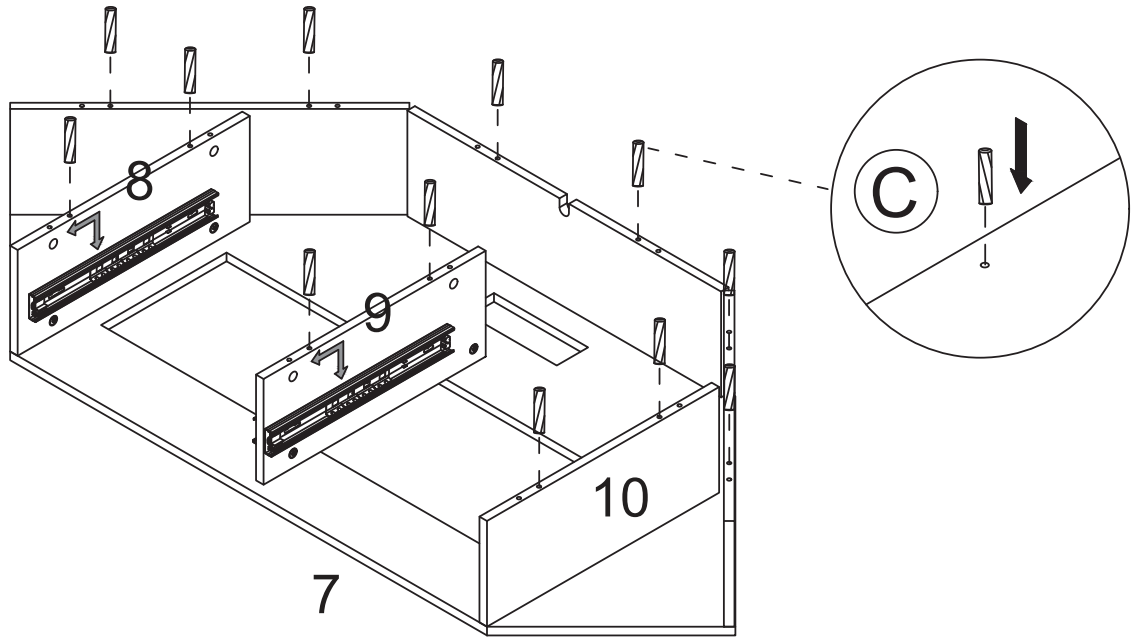


x12



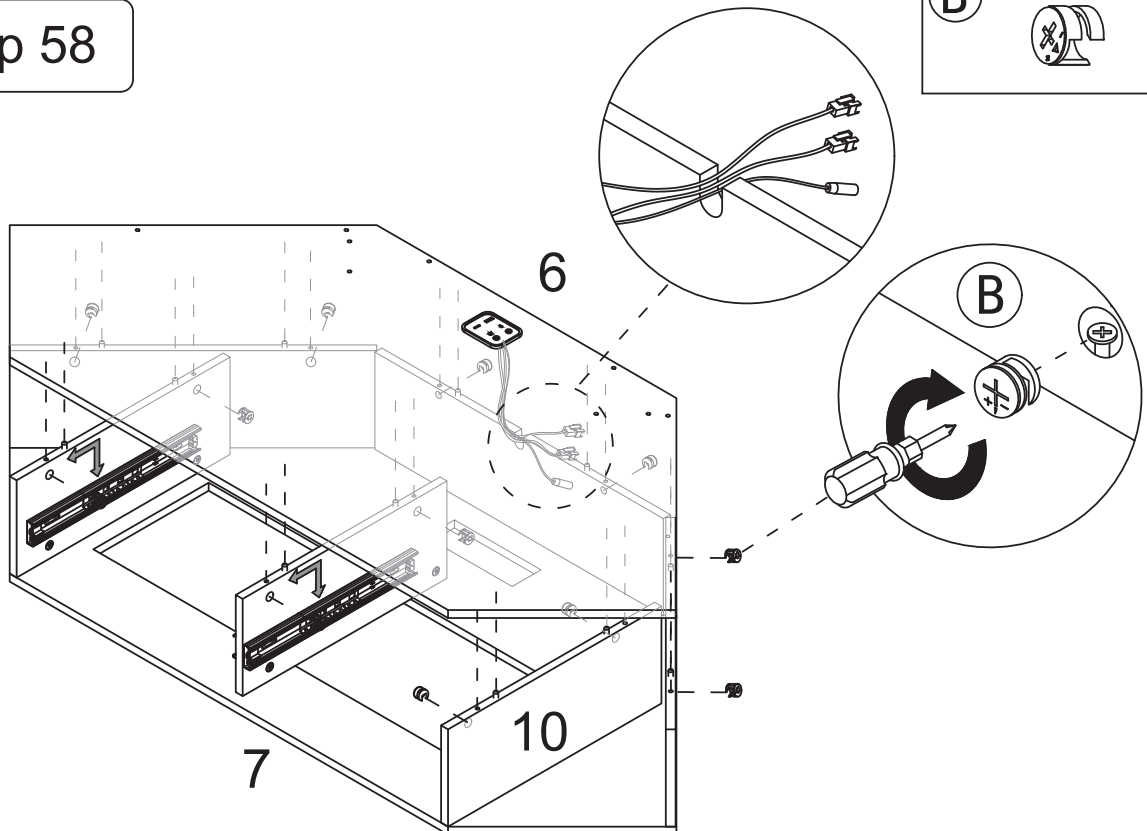
Step 57

C  x12

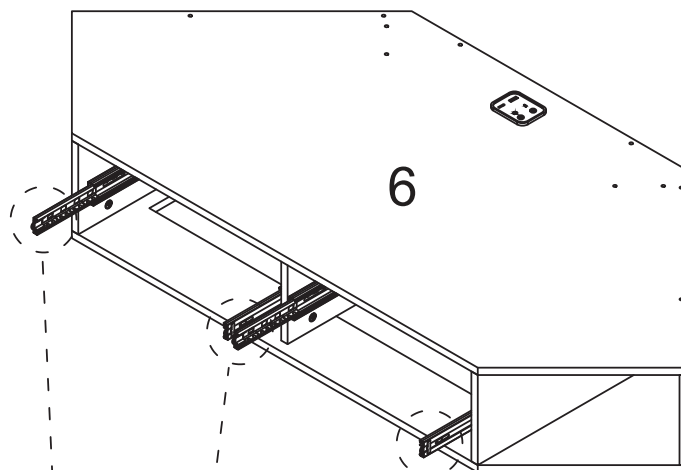


Step 58

B  x12



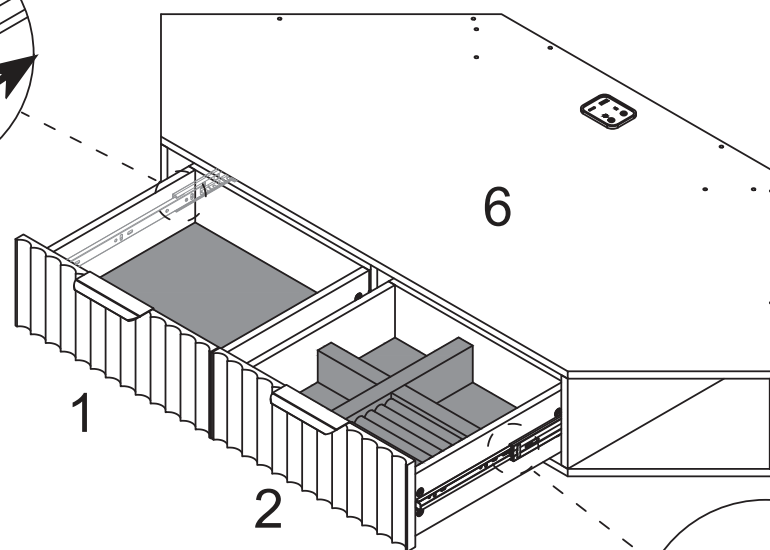
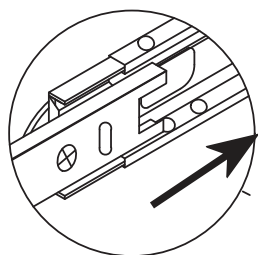
Step 59



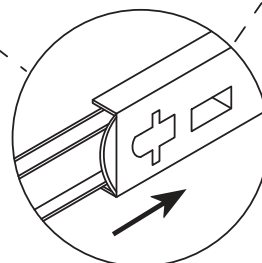
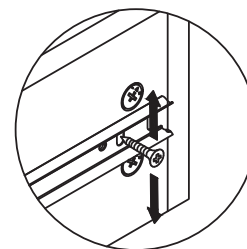
As shown, When installing the drawer, pull the guide rail out first, Slide beads are also pulled out.



Step 60

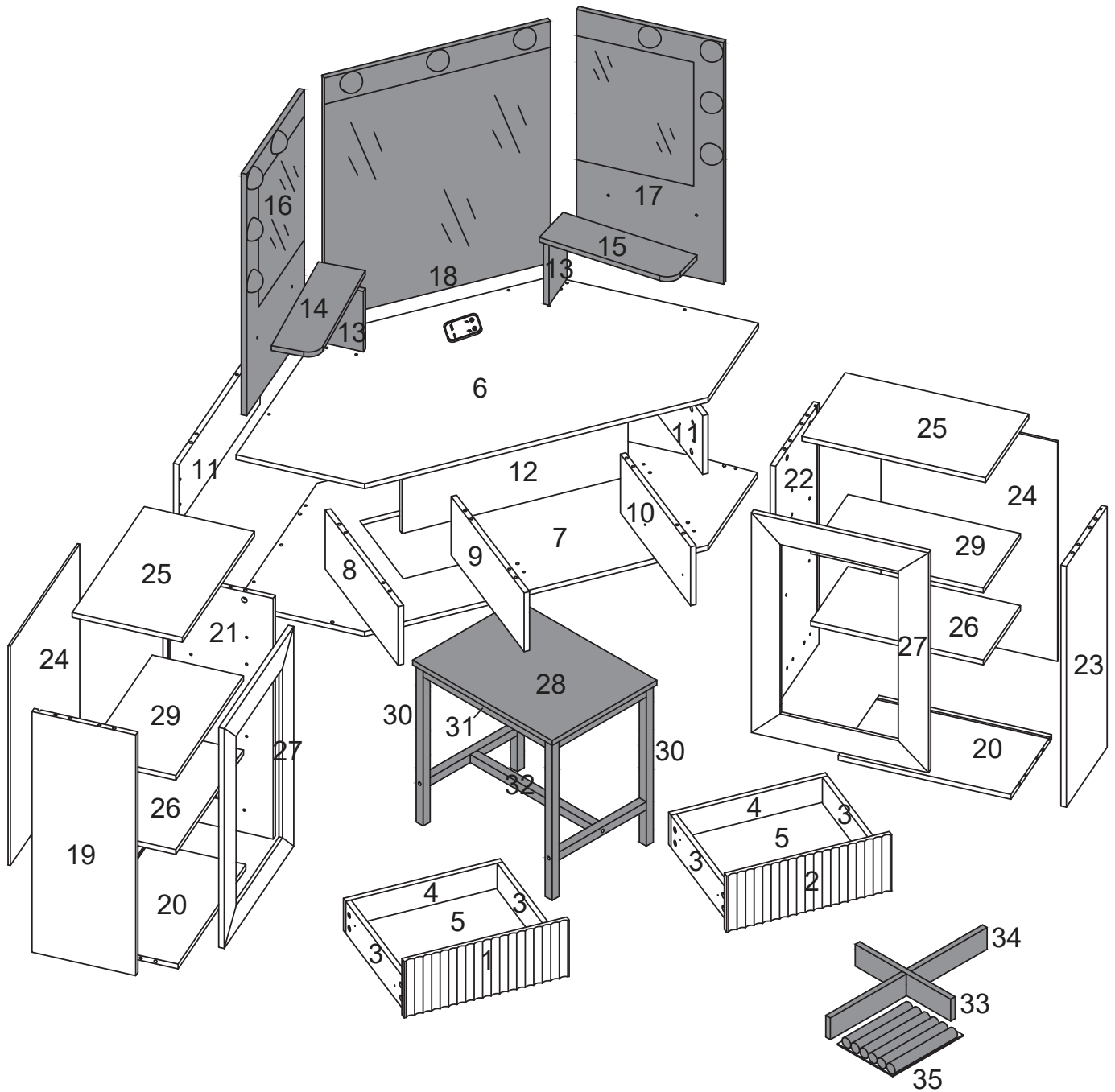


Drawer gaps are adjustable

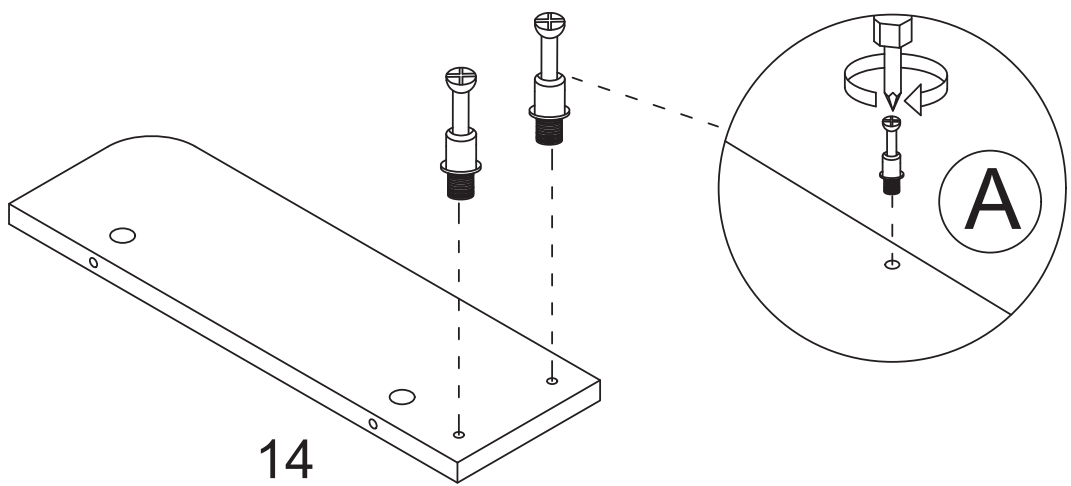
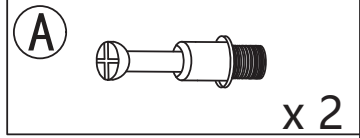


38

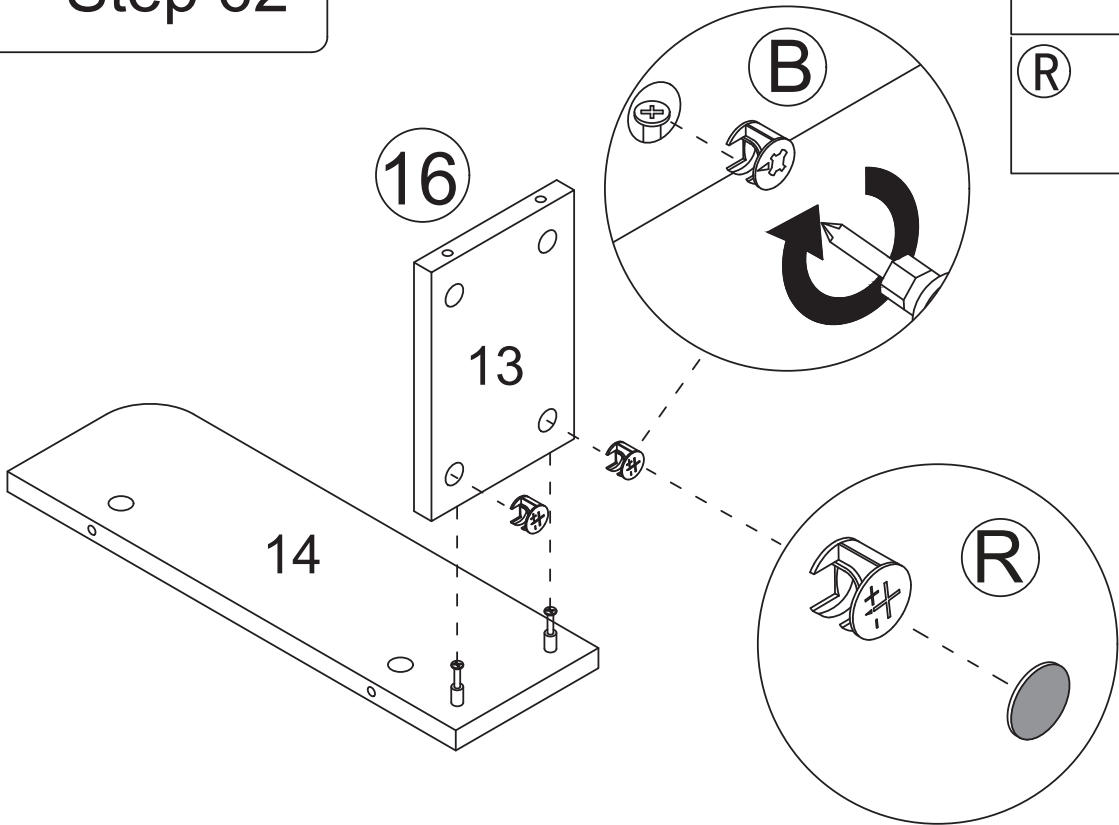
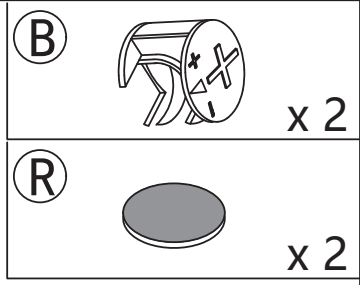
Decomposition of Product Structure



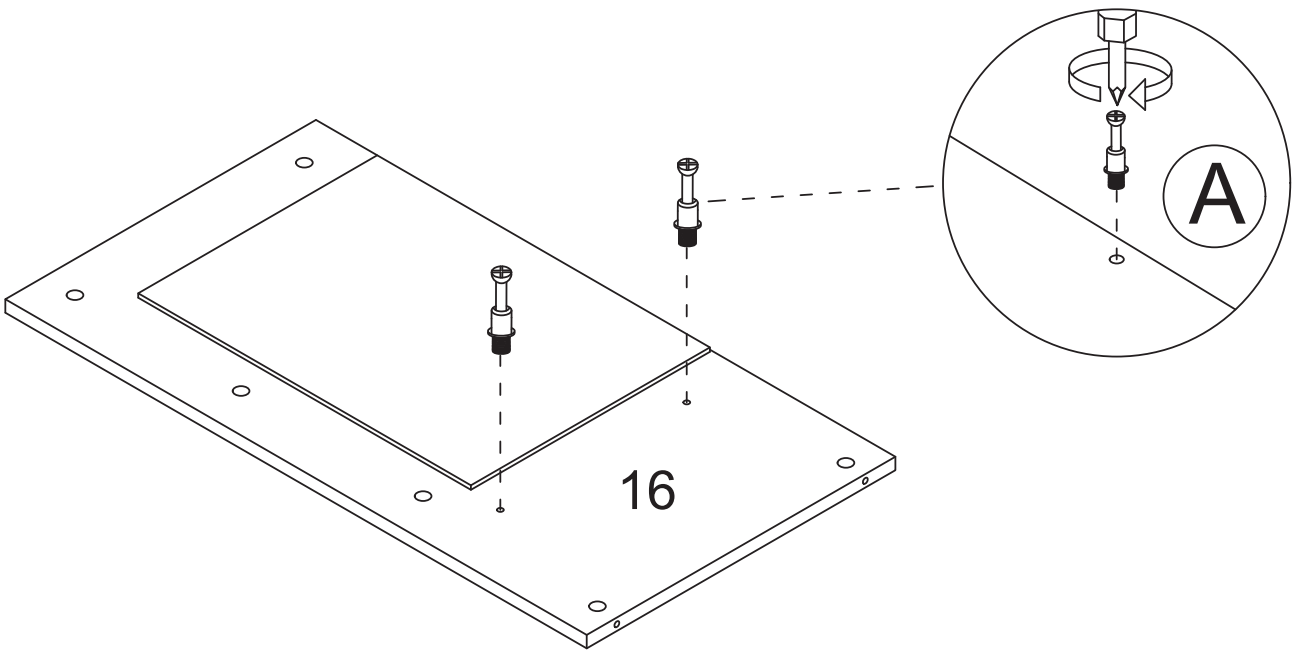
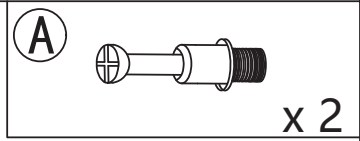
Step 61



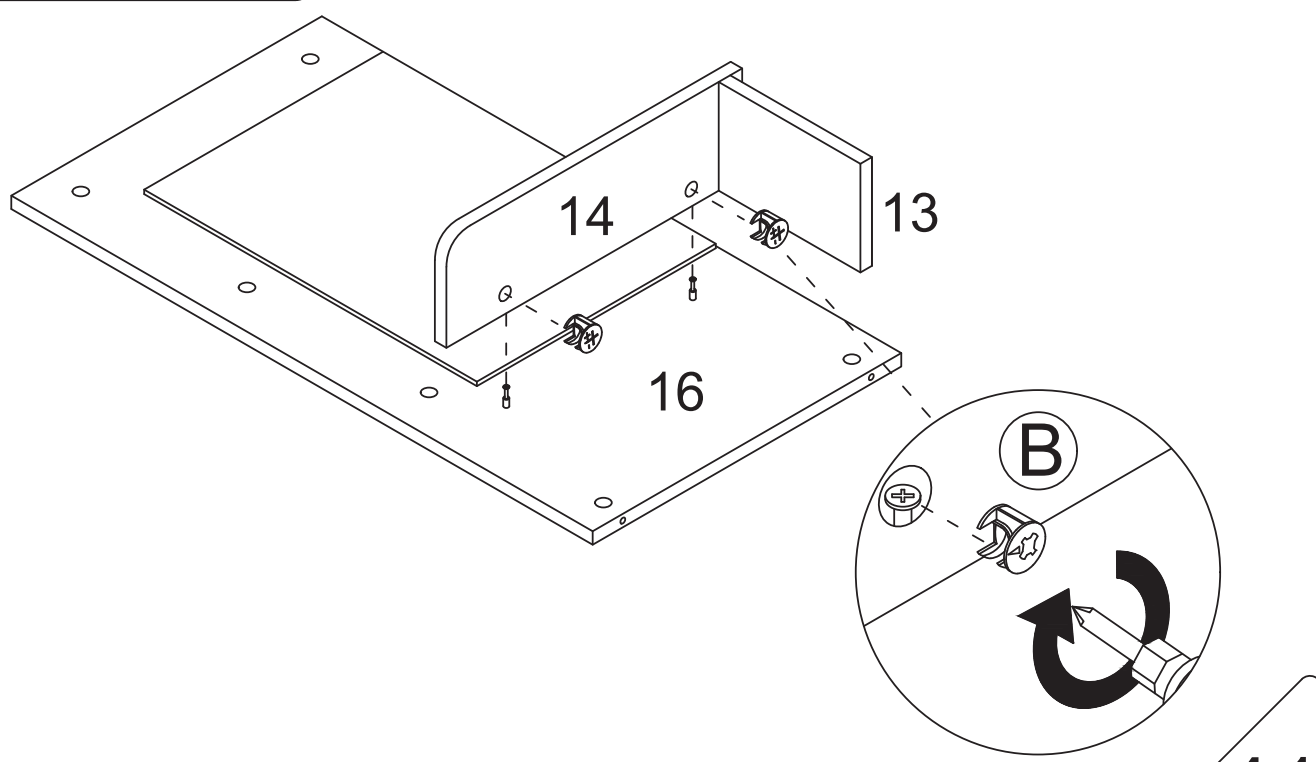
Step 62



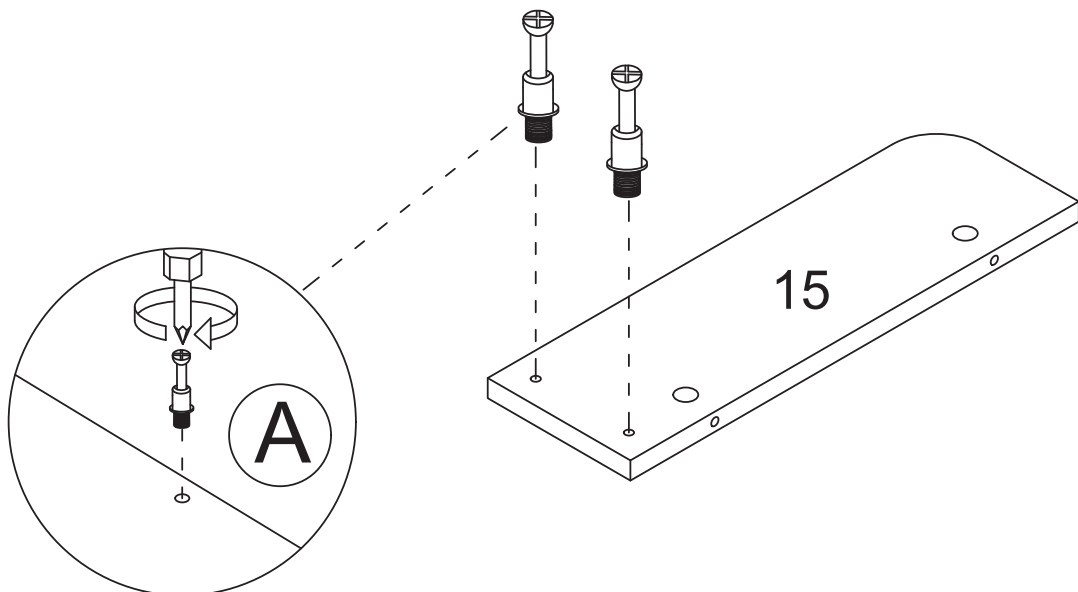
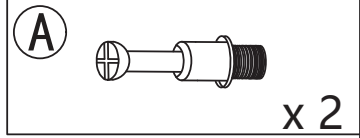
Step 63



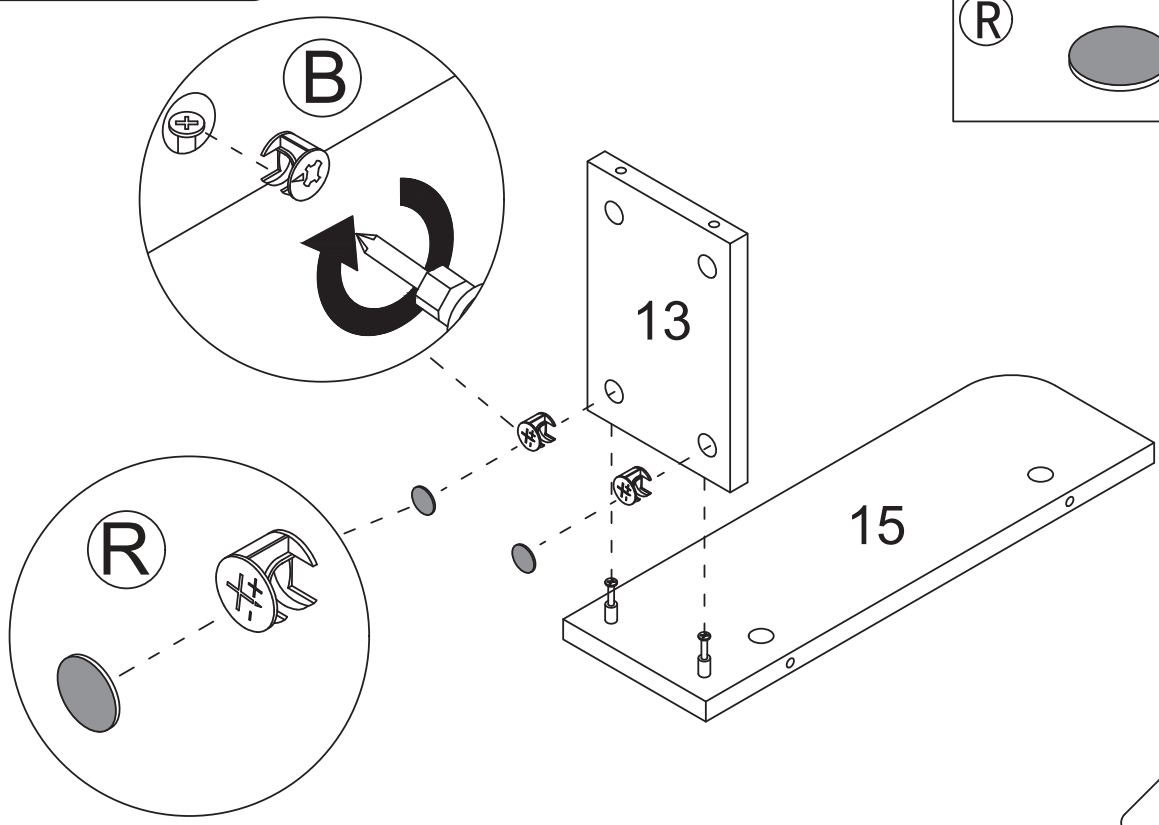
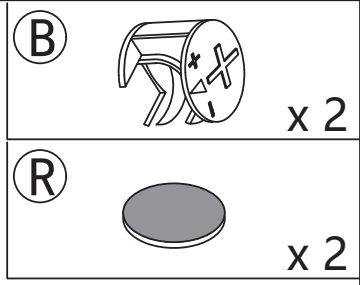
Step 64



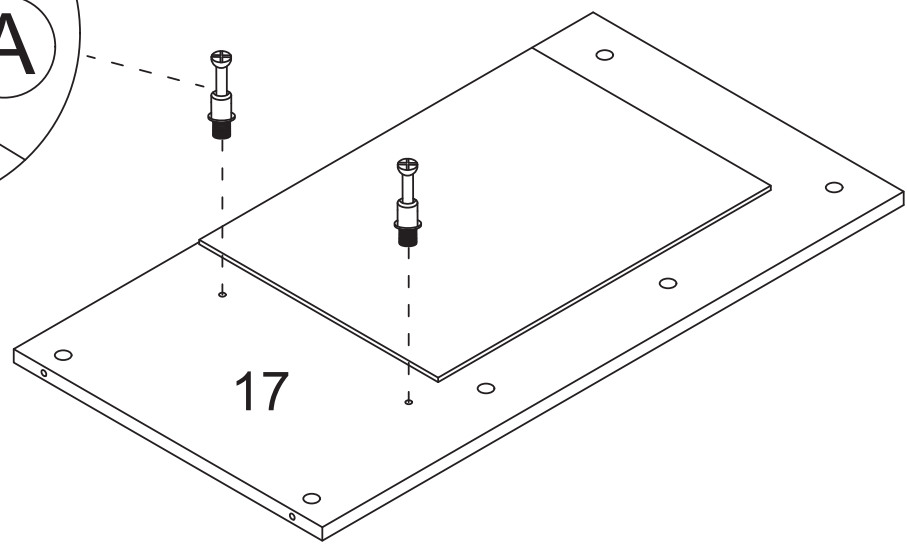
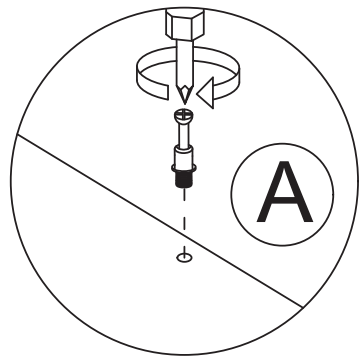
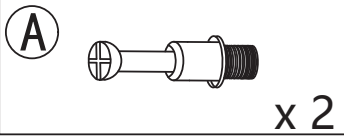
Step 65



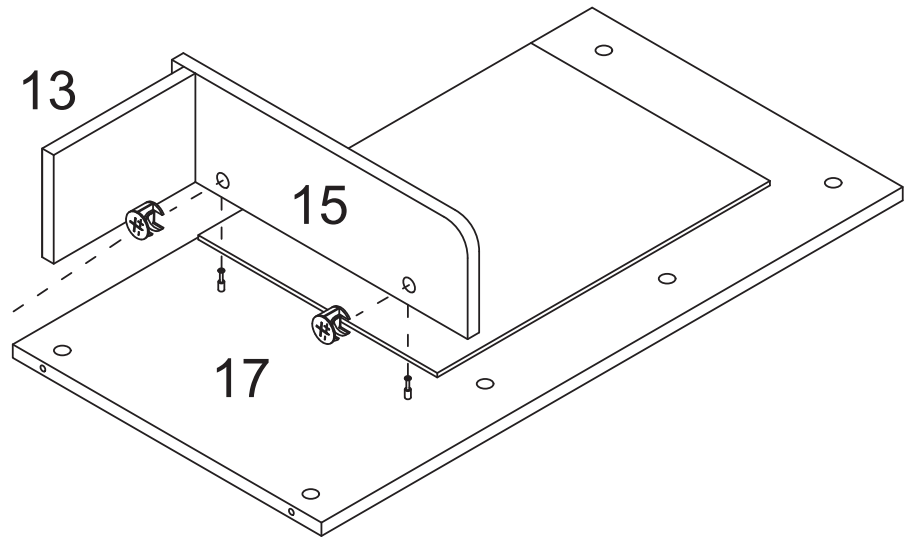
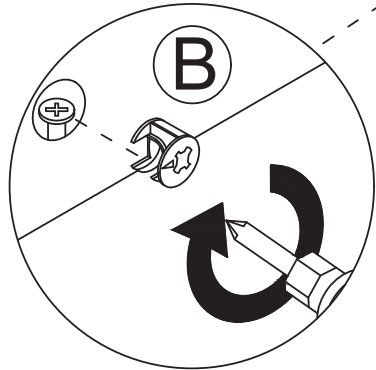
Step 66



Step 67

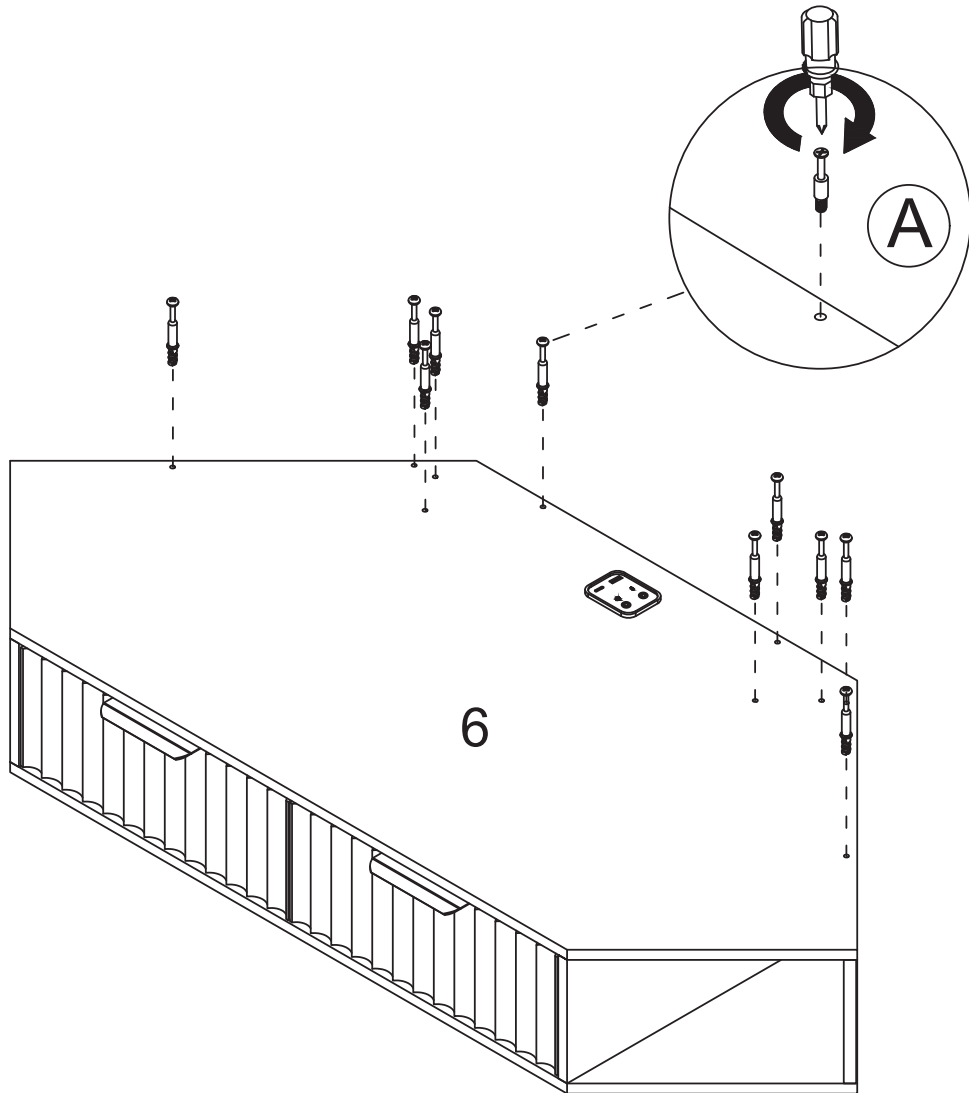
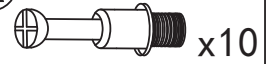


Step 68





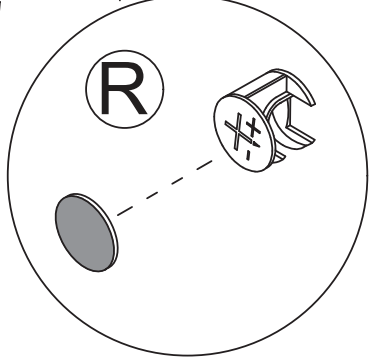
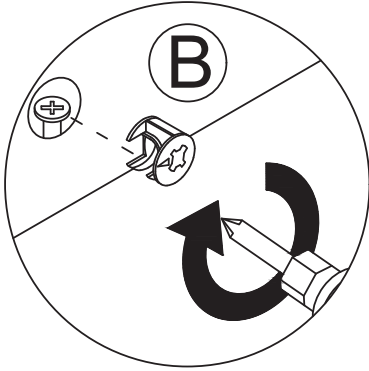
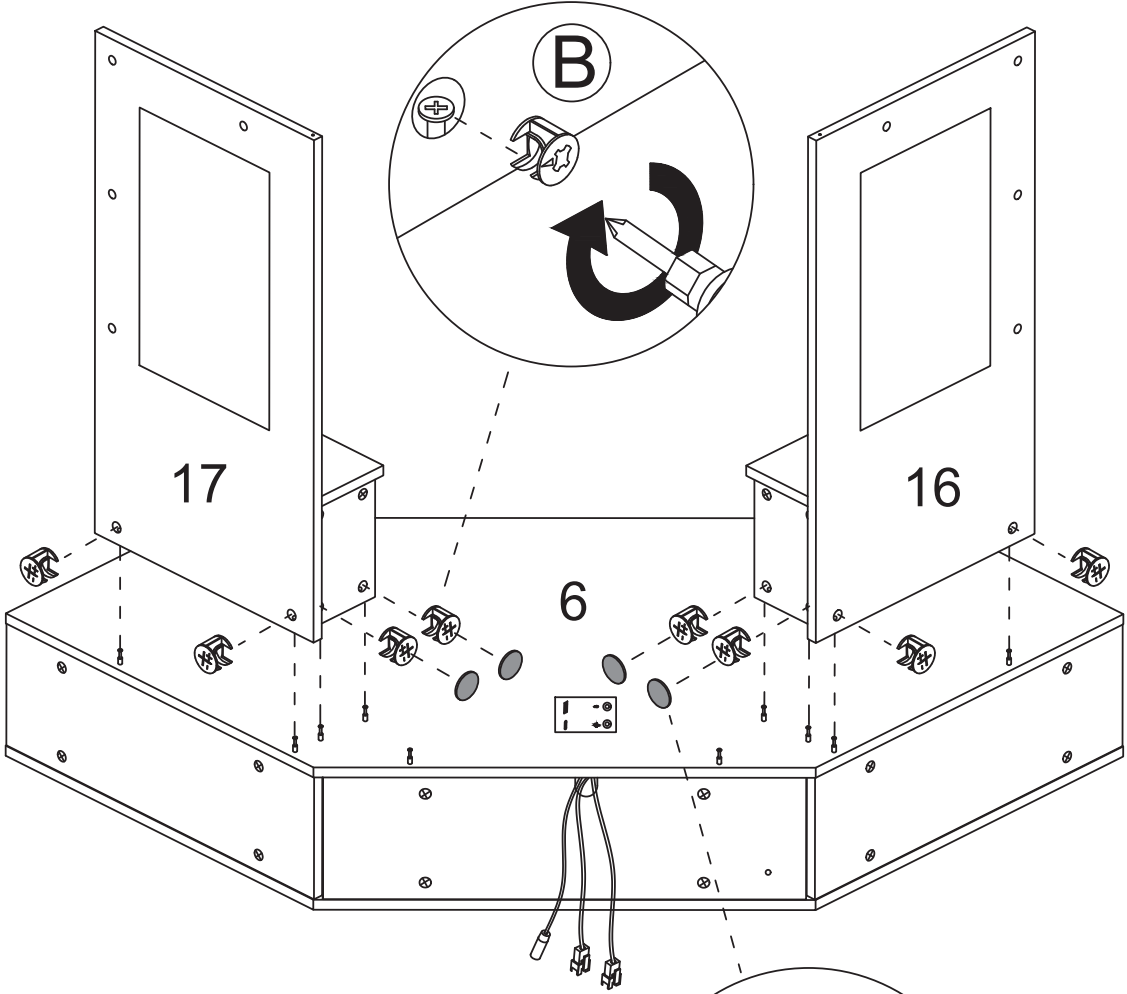
Step 69

A



Step 70

- (B)  x 8
- (R)  x 4

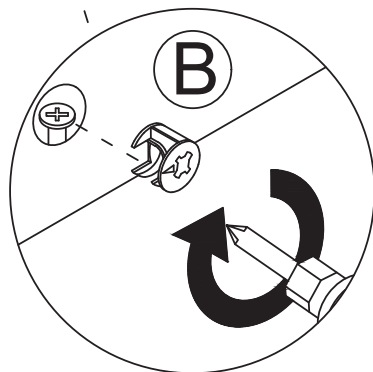
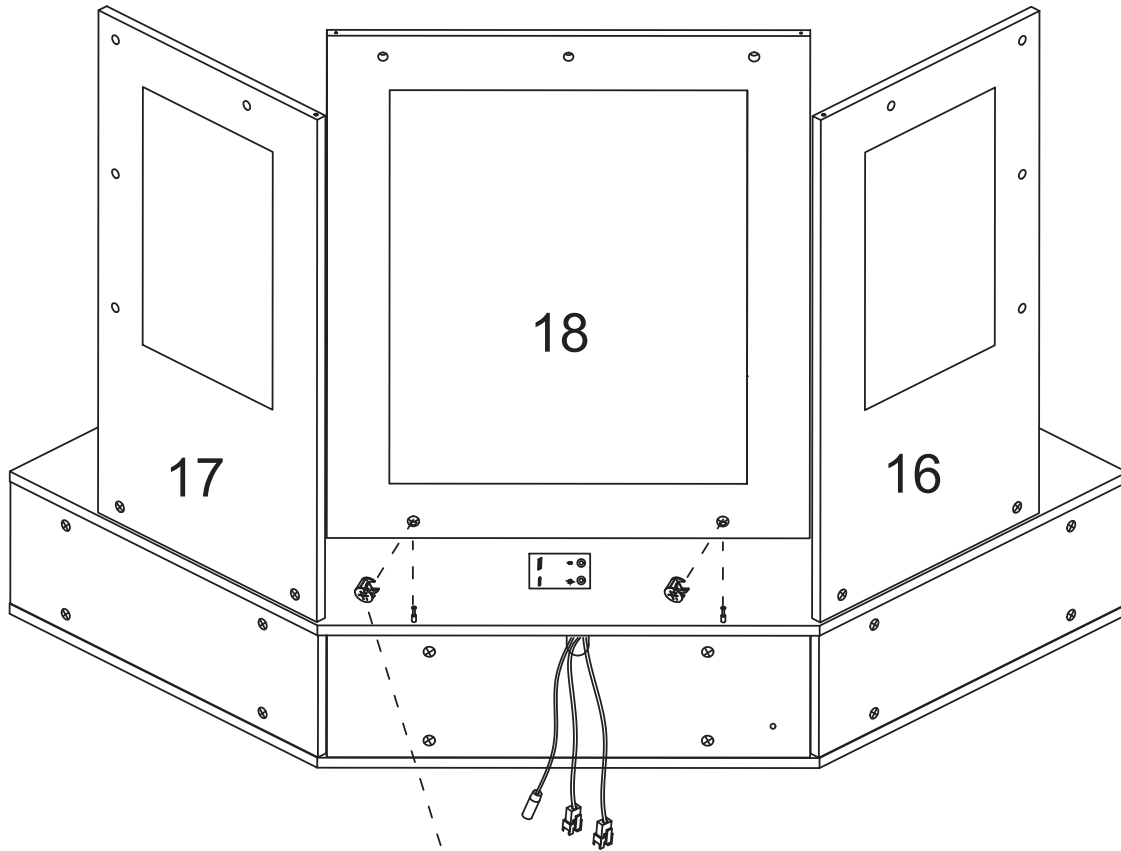


Step 71

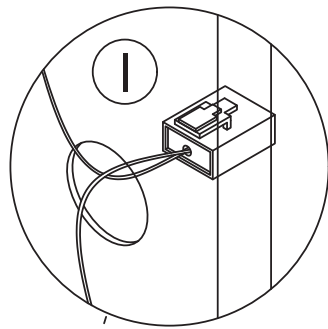
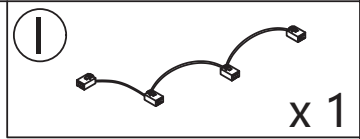
(B)



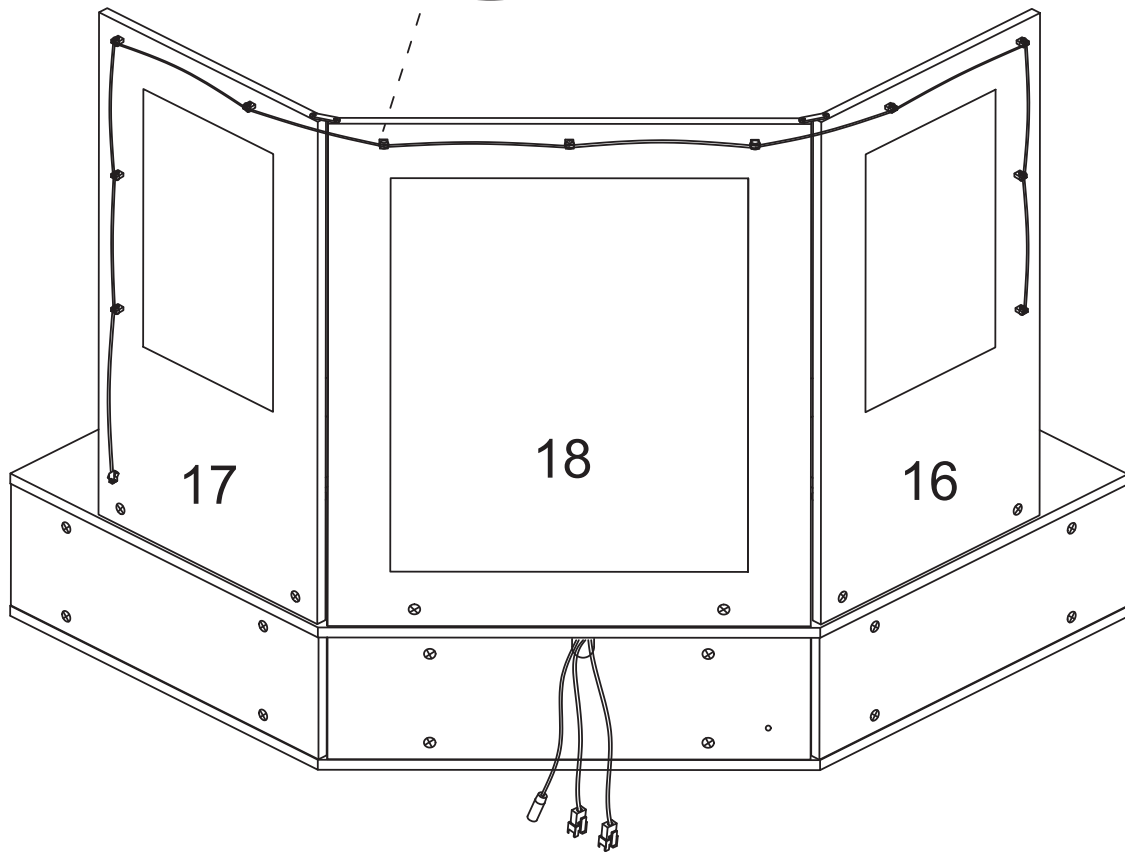
x 2

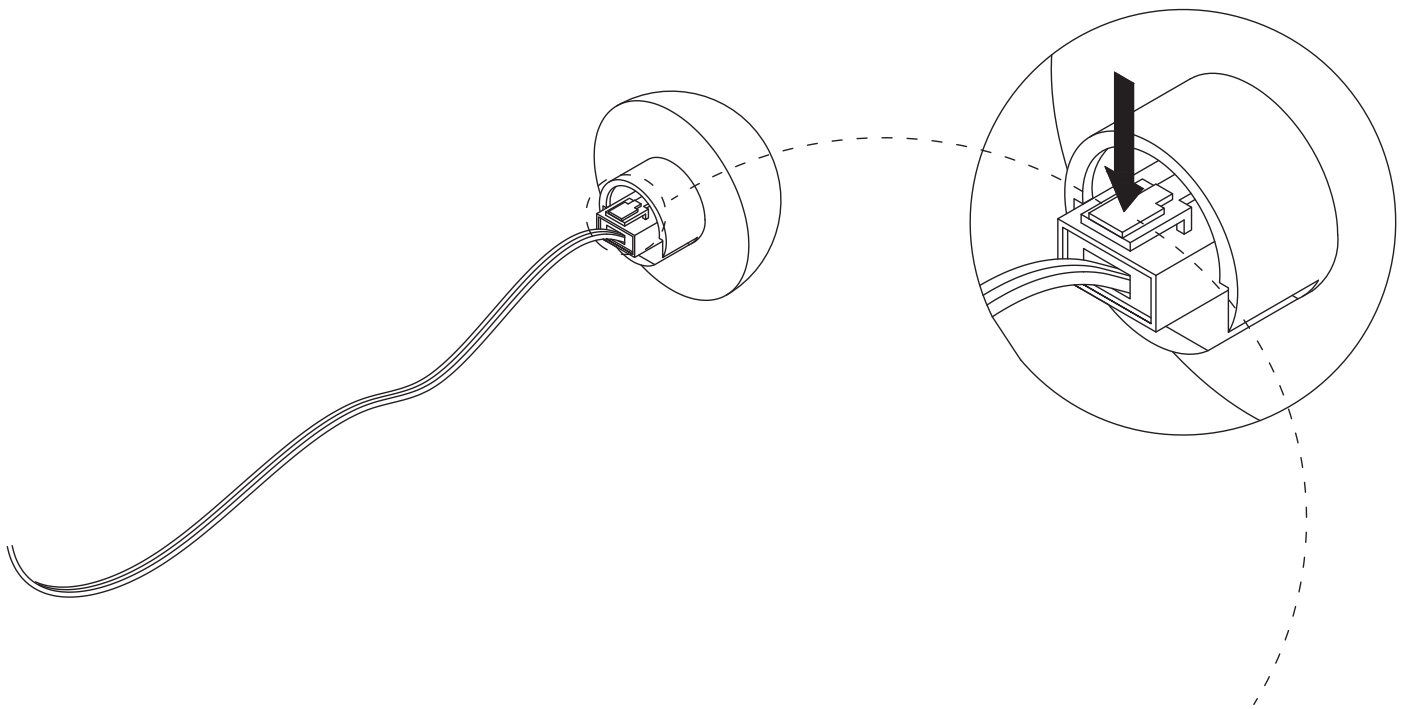


Step 72

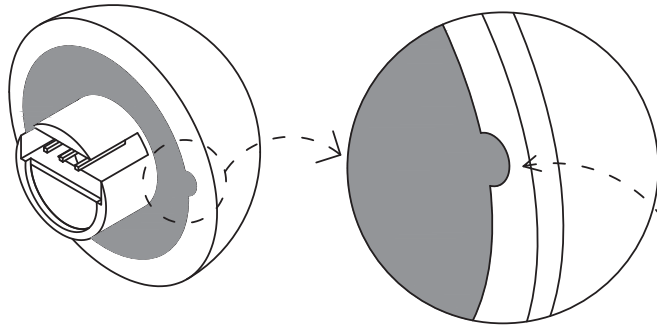


Thread the plug through the hole

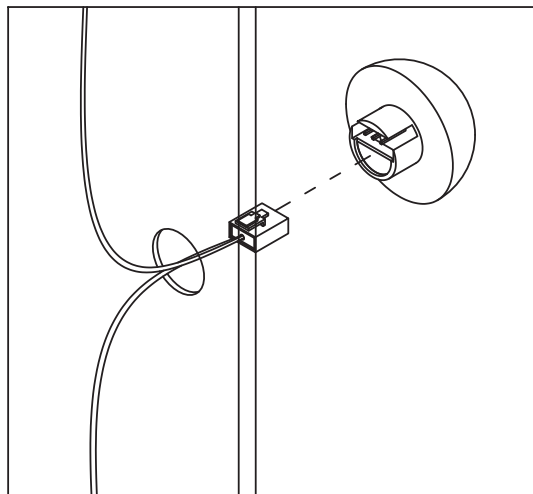




Press the plug-in to pull out the cable

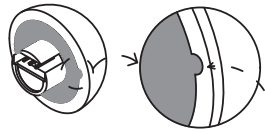


Remove the film before installation



Connect the bulb to the plug

Step 73

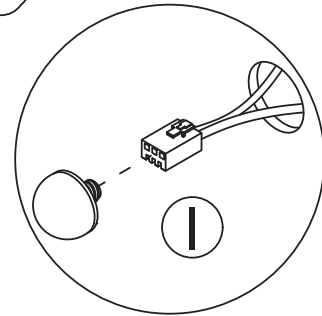


I

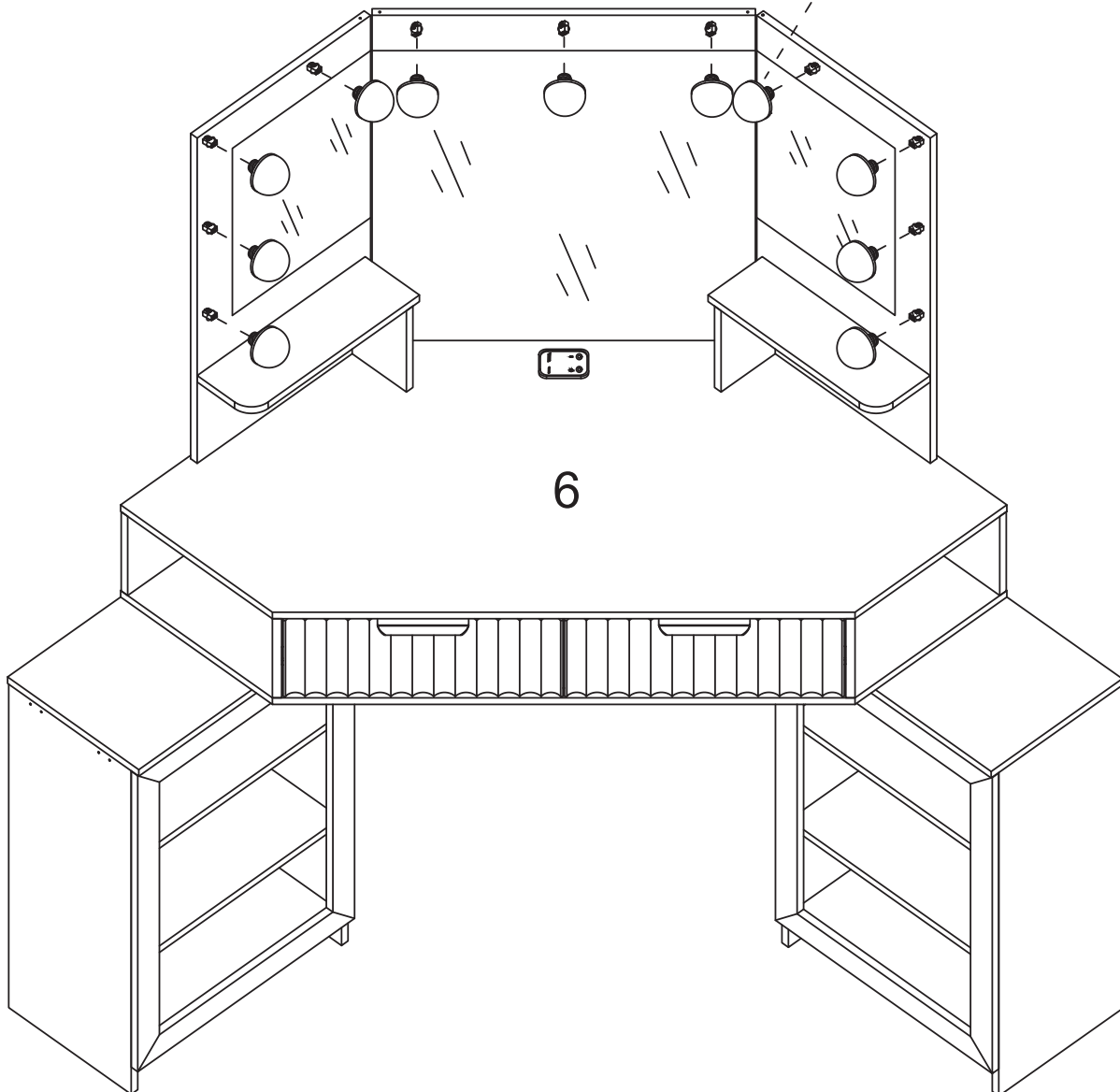


x 11





Remove the film before installation

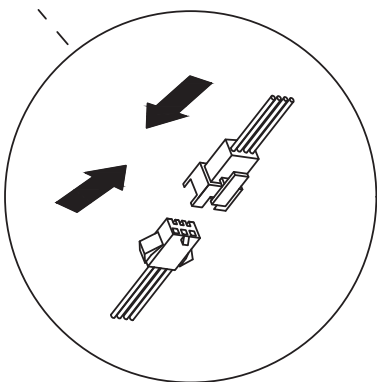
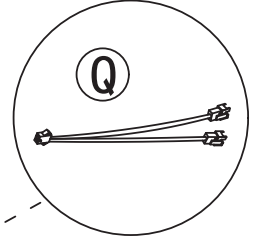
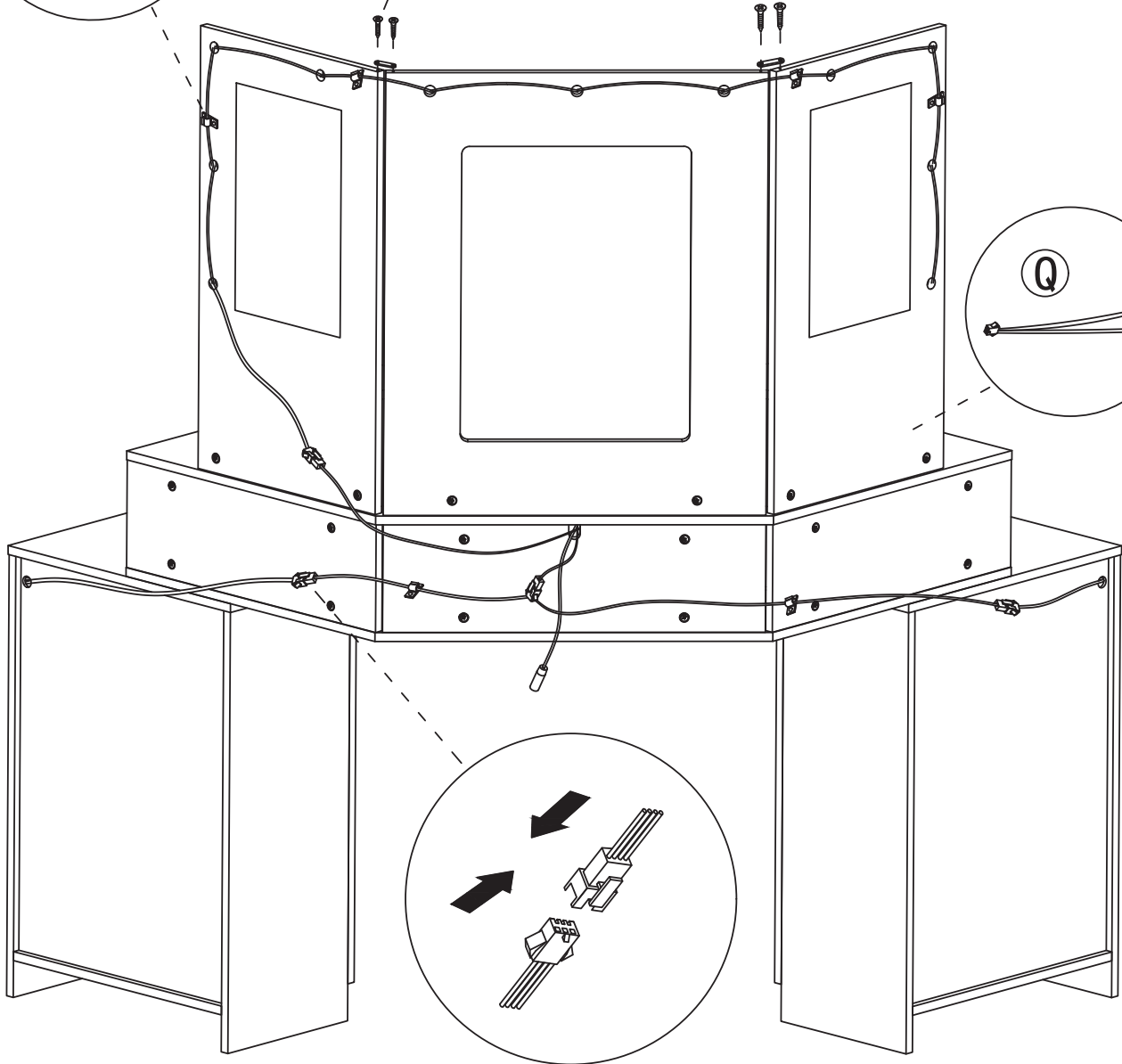
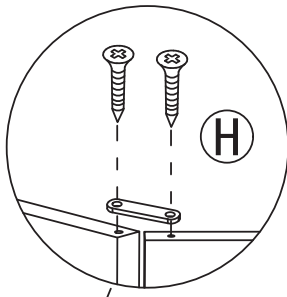
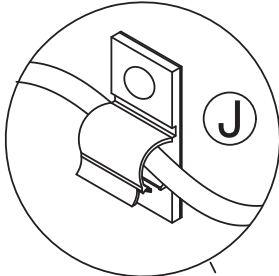


After inserting the bulb into the hole, glue the bulb to the board



Step 74

- (J)  x 6
- (H)  x 2  x 4
- (Q) 



Step 75

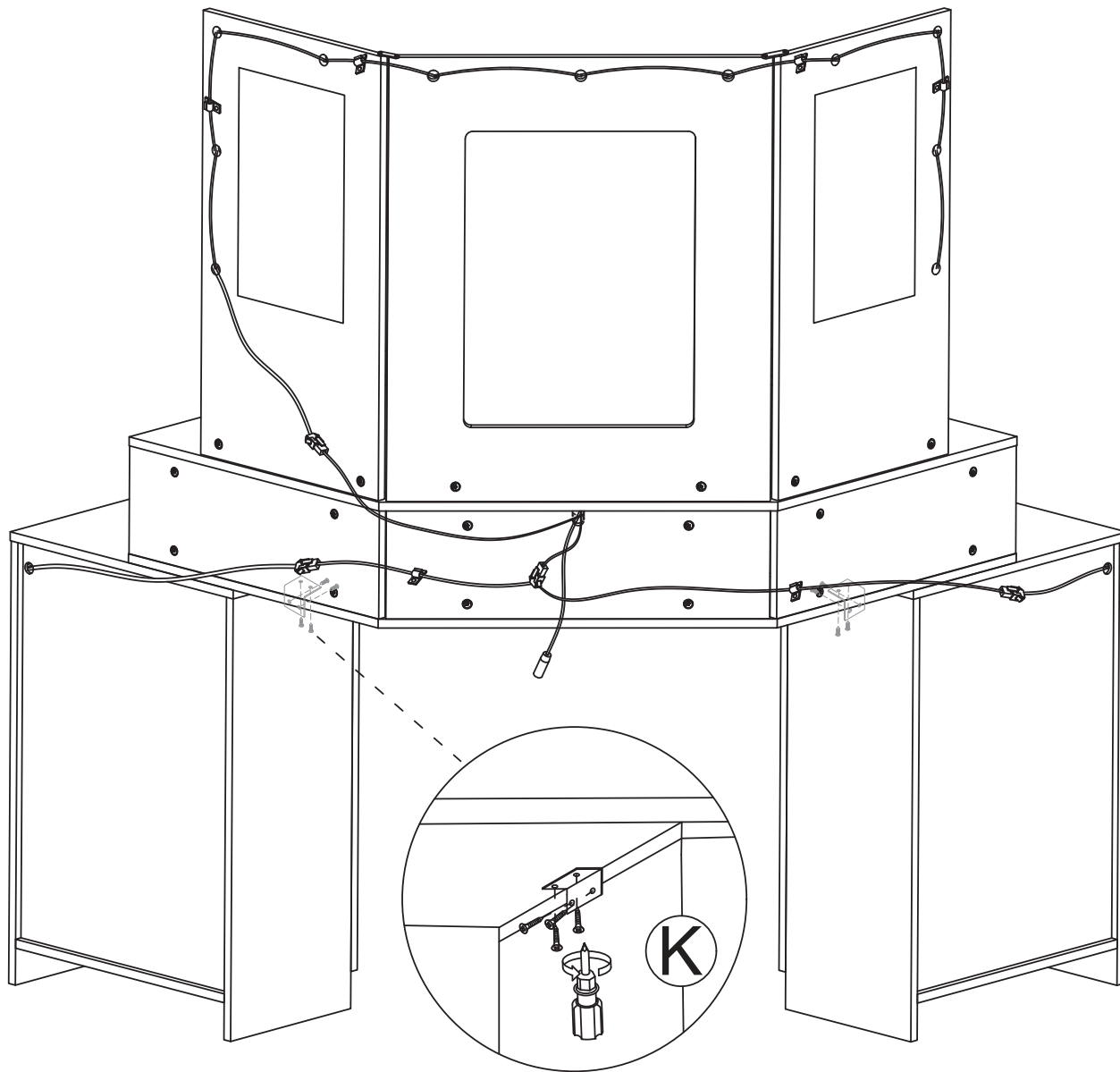
(K)



x2



x8



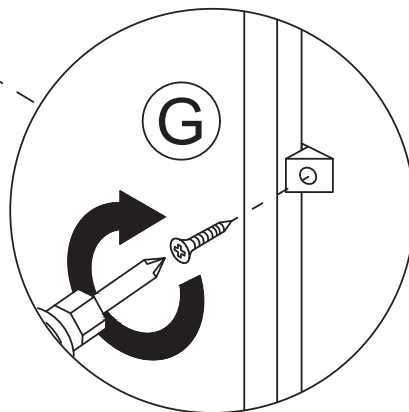
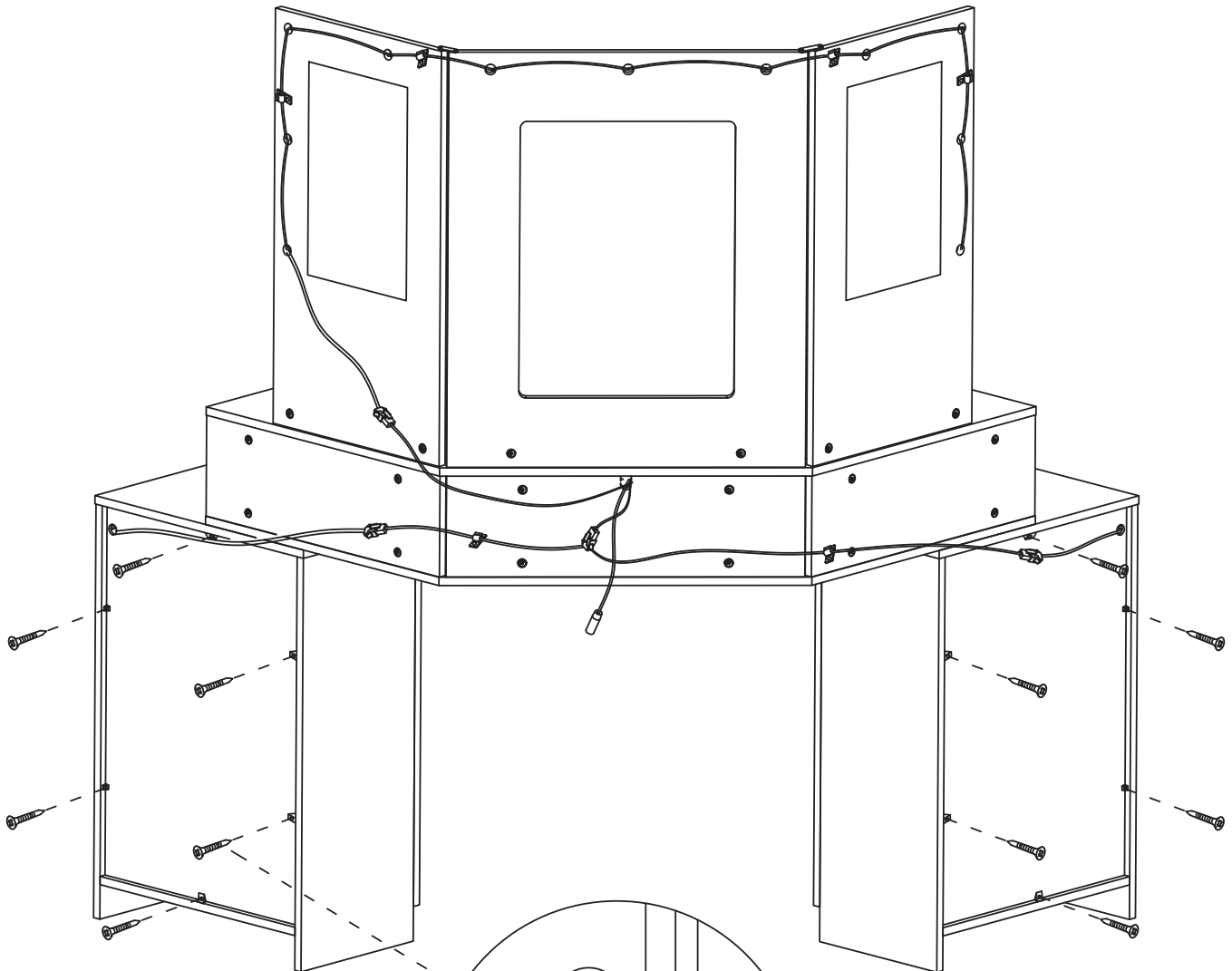
It can be fixed with accessories as required

Step 76

G



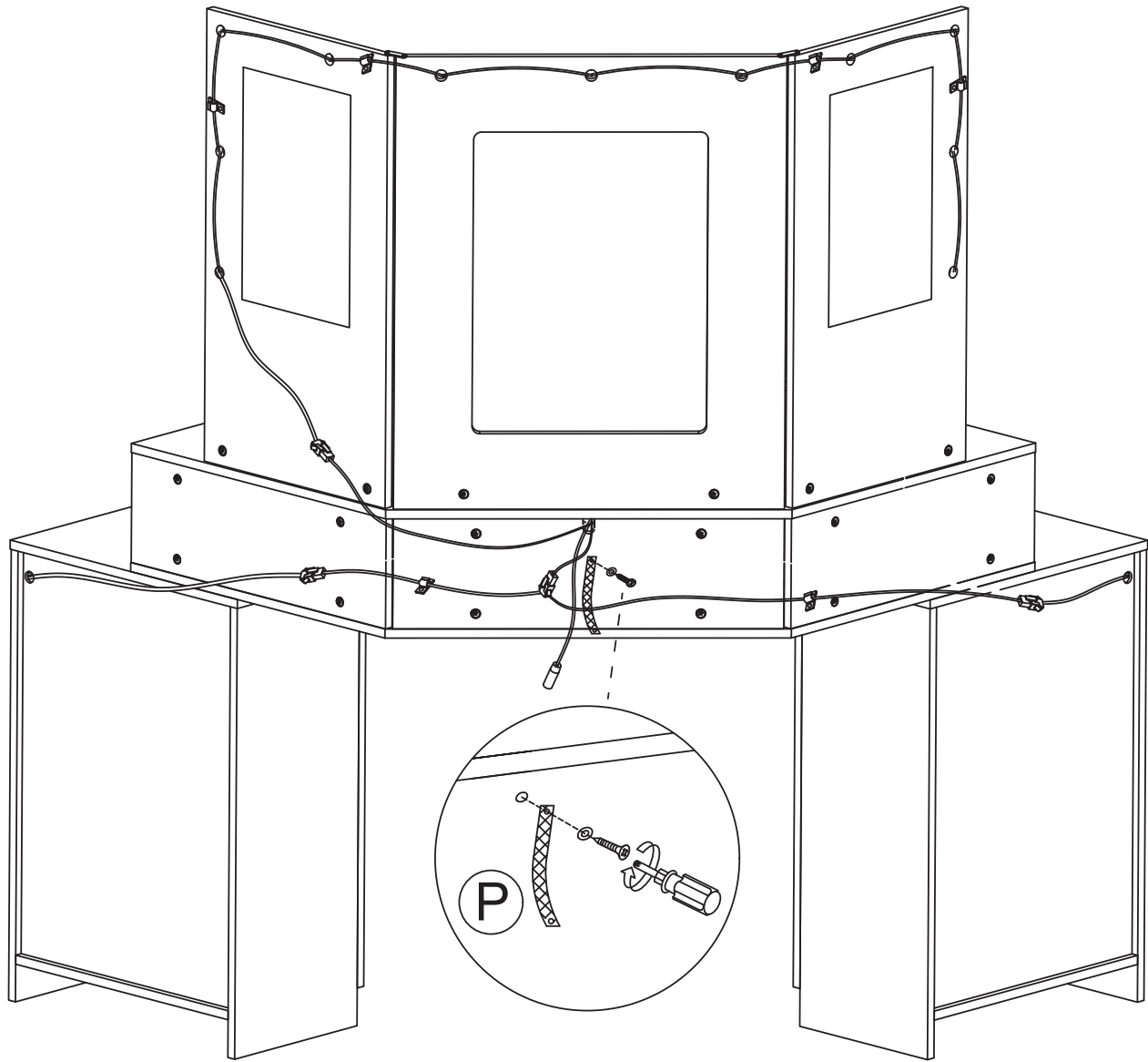
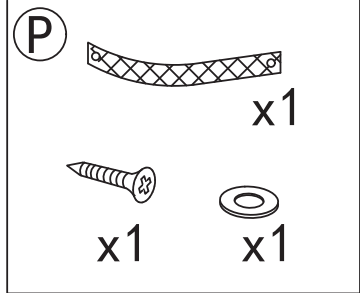
x 12



51

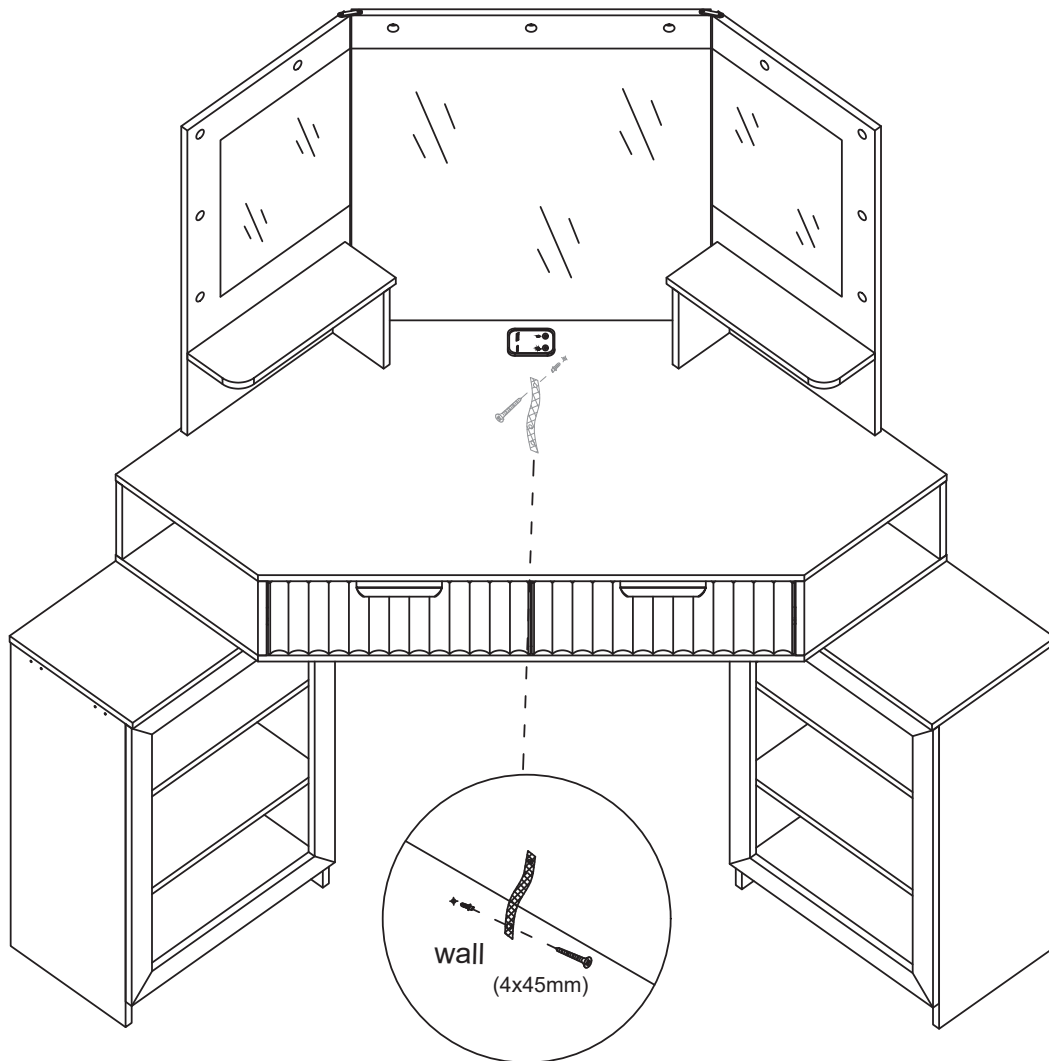
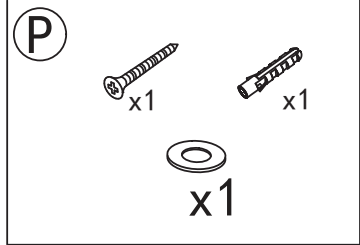
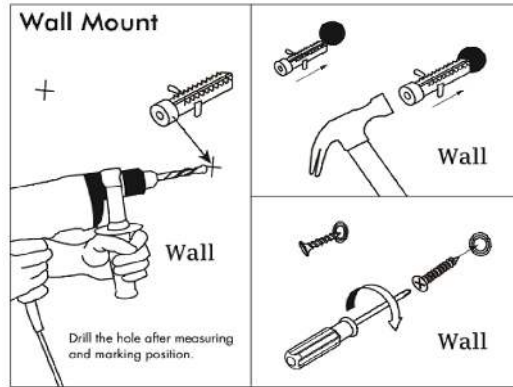
SY

Step 77





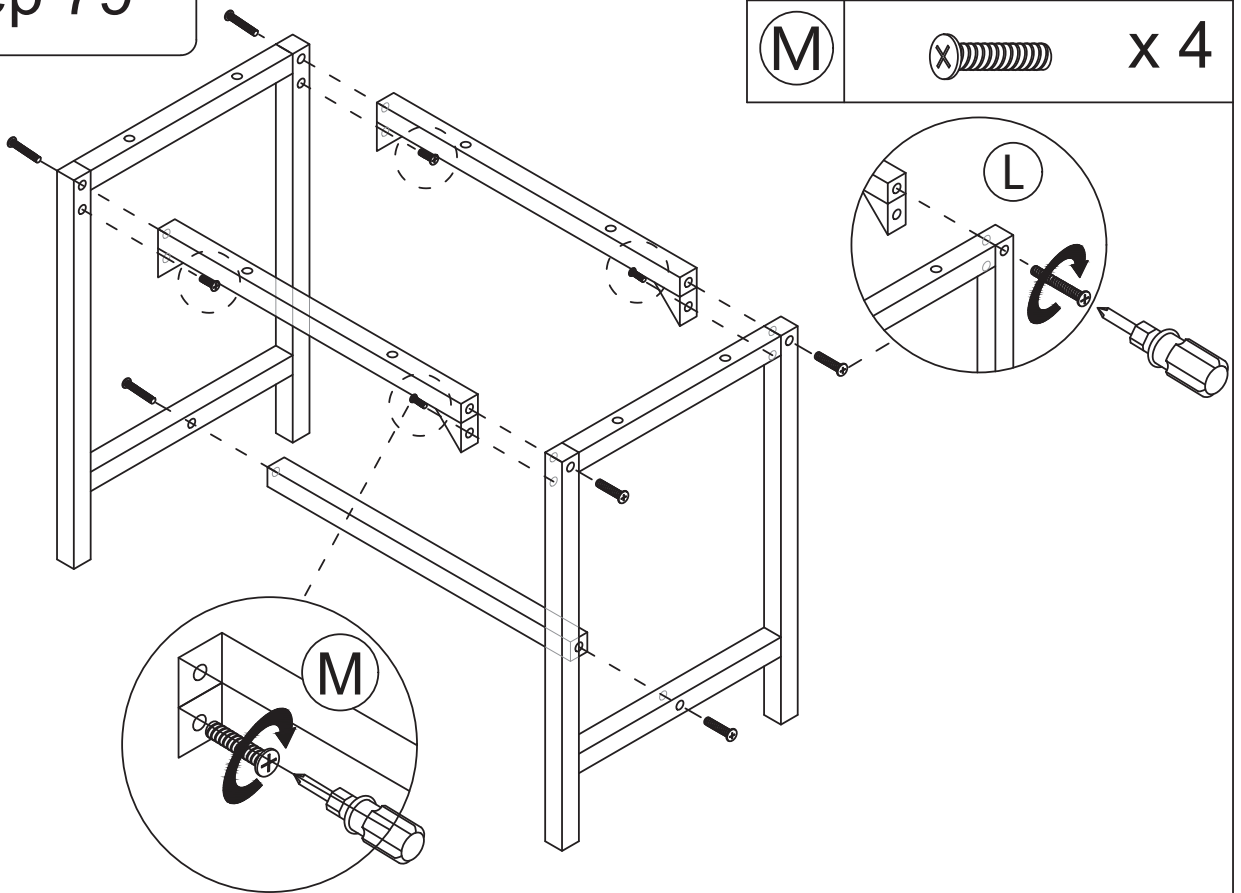
Install anti rewind tape at the edge of the board to prevent insufficient length when connecting to the wall

Step 78



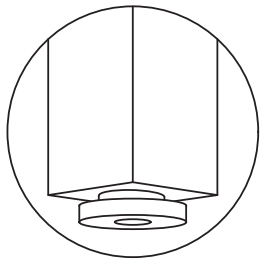
Step 79

L		x 6
M		x 4

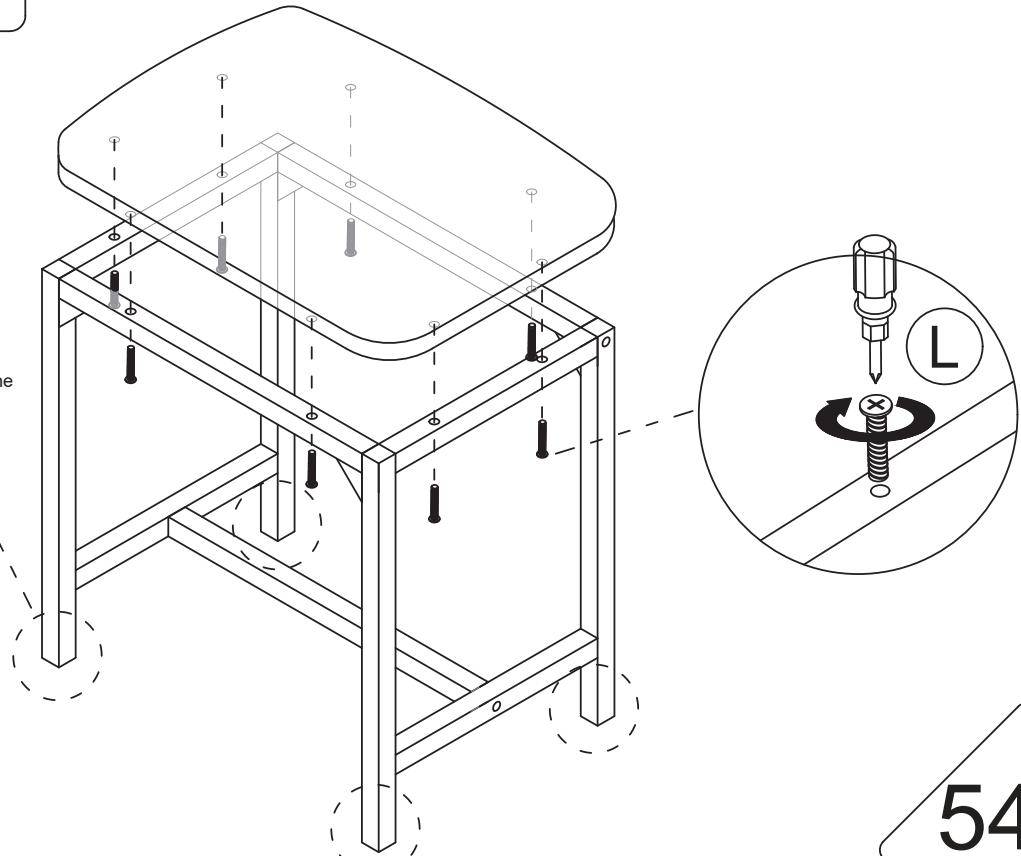


Step 80

L		x 8
---	---	-----

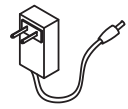


Note that the foot pad at the bottom of the iron frame can be rotated and adjusted according to the actual situation.

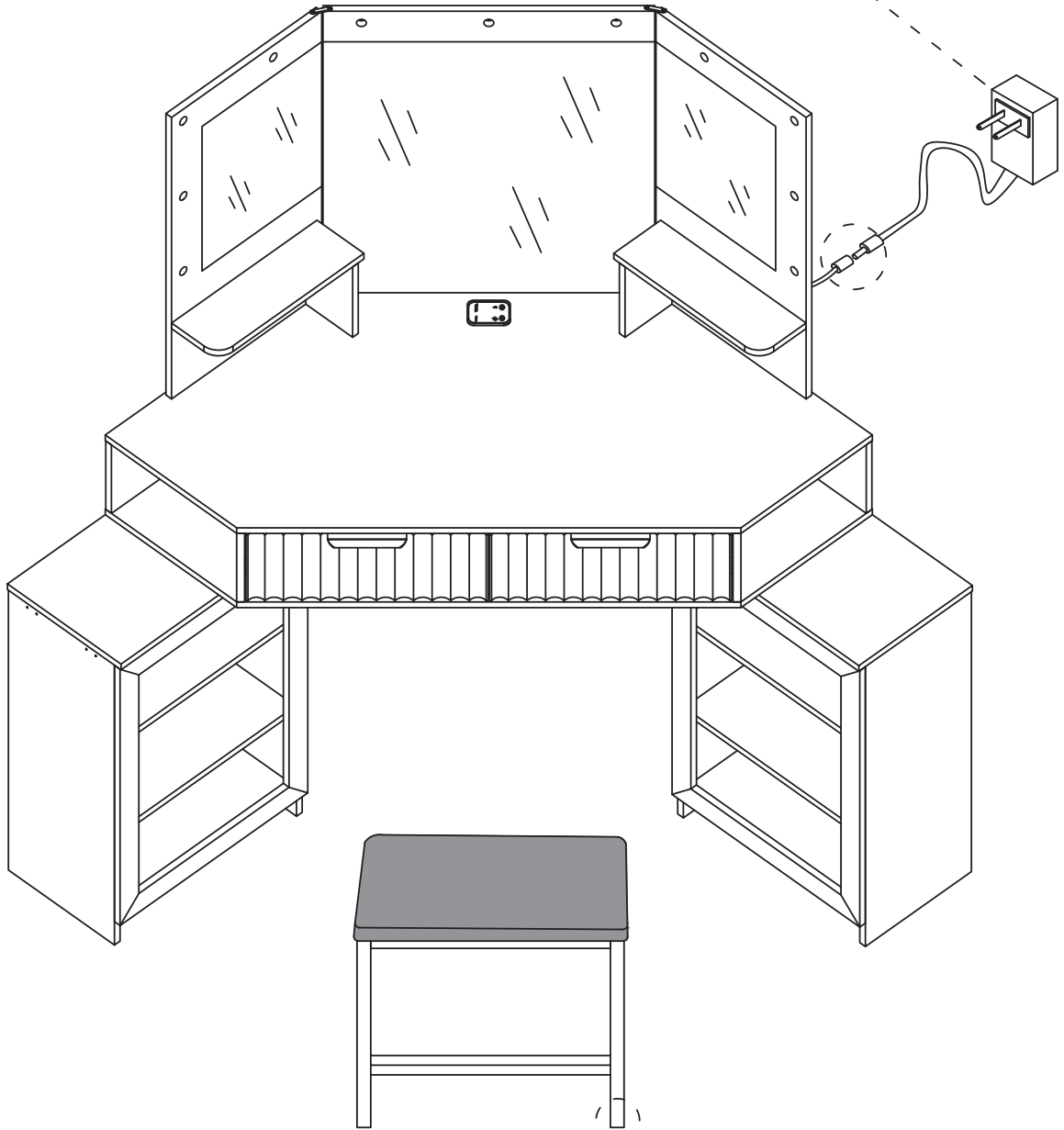
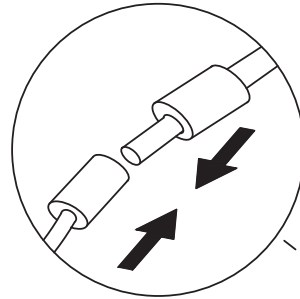


Step 81

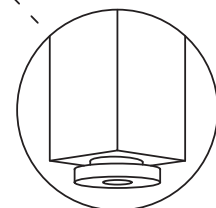
(N)



x 1



Height can be adjusted under the hardware foot to avoid imbalance



55

User's Guide

Thank you for purchasing this product. To use this product, please plug it into a 12V Dc power supply. Ensure the product is functioning normally after it is connected to power.

Introduction

This box is an intelligent controller with two touch buttons. It can turn the light ON/OFF, change, change light colors, and adjust the light's luminance.

Product Show

Induction Button

Light Button



UsB output port.

Type-C output port



ATTENTION PLEASE

1. If there is no touch response suddenly. Re-plug the power to reset the touch static electricity.
2. If bubbles appear on the panel, the protective film. remove

Operation



This touch button is used to turn on/off, change colors, and adjust brightness.

- A. Short touch -> lighting on -> short touch -> change light color -> short touch -> change light color -> short touch -> lighting off.
- B. Long touch -> adjust the luminance



Touch Button Functionality

- A. Short Touch: This activates the induction function. The light will automatically turn on when a person is within 1 meter of the controller. The light will automatically turn off after 30 seconds when the person moves away from the controller.
- B. Long Touch: This deactivates the induction function.
- C. Note: When you touch the light button to change the light modes, the induction function will be automatically turned off. It is recommended to activate the induction function only after selecting your desired light color and adjusting the brightness.