

INSTALLATION INSTRUCTIONS

THANK YOU FOR CHOOSING OUR PRODUCTS !

Before Assembly:

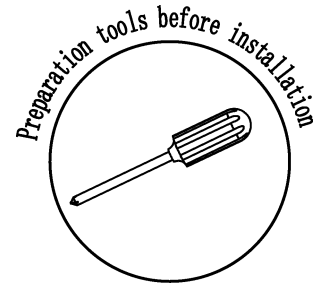
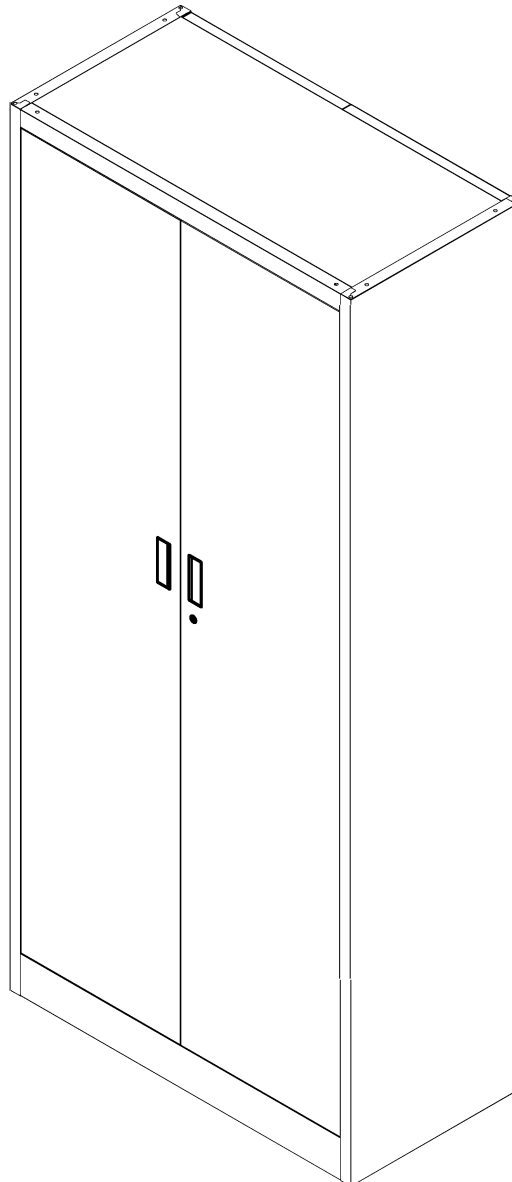
1. Please confirm the completeness of the components and the parts according to the Parts Diagram. If you have any question, Please contact with us and our Professional Customer Service Team will approve all you need within 24 hours.
2. It' s not too difficult to assemble, But it will be easier if there is another one assemble it with you.

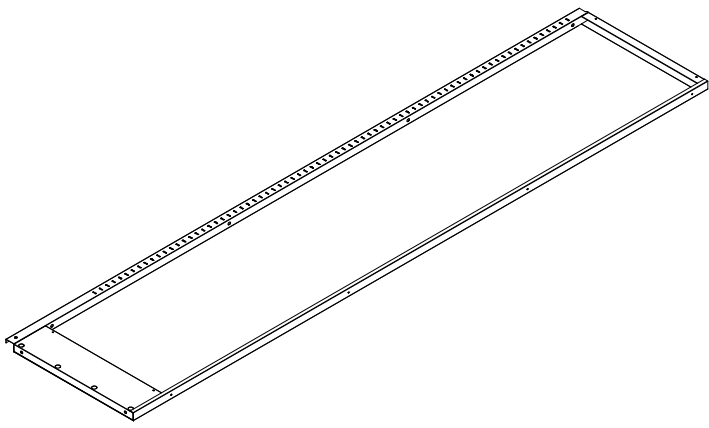
During Assemble:

1. Please pay attention that some components may be a little sharp, Take care.
2. During assembly, please fix the screws temporarily and tighten them at last.

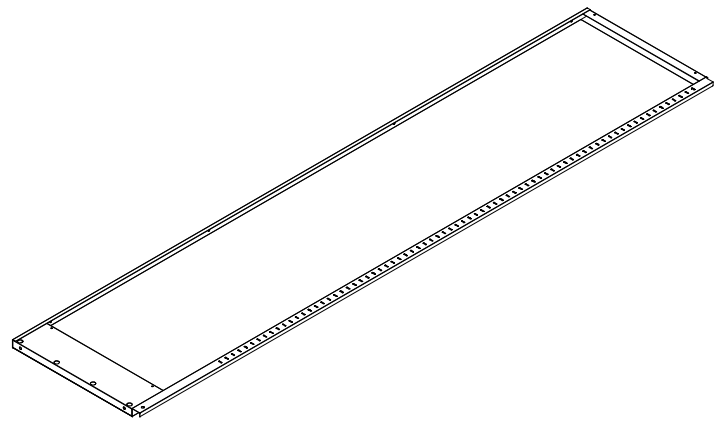
Tips: You can also check videos of installation on Amazon.

SKU:H04BN103

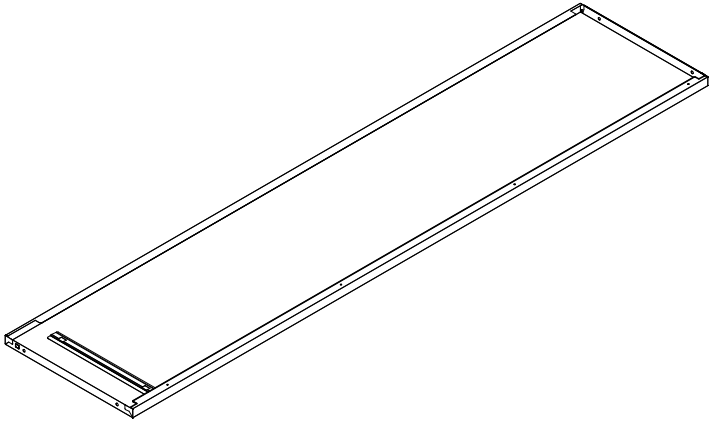




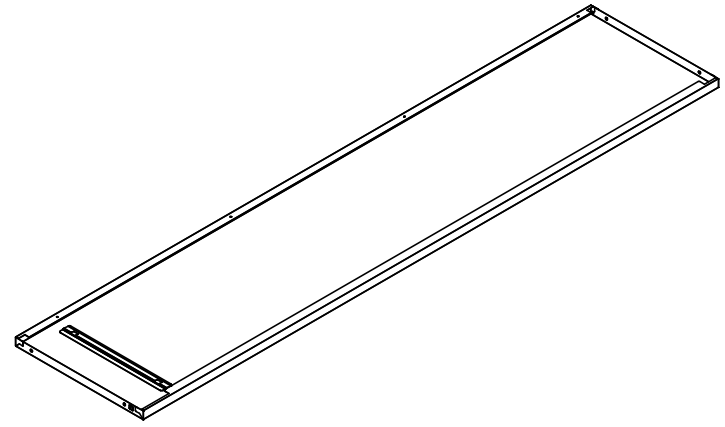
A*1



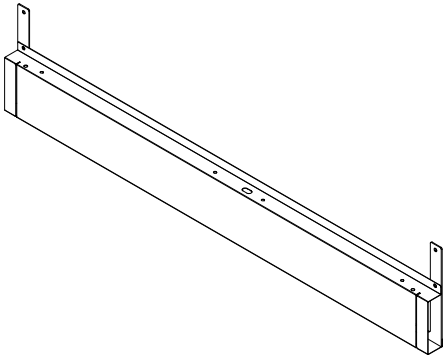
B*1



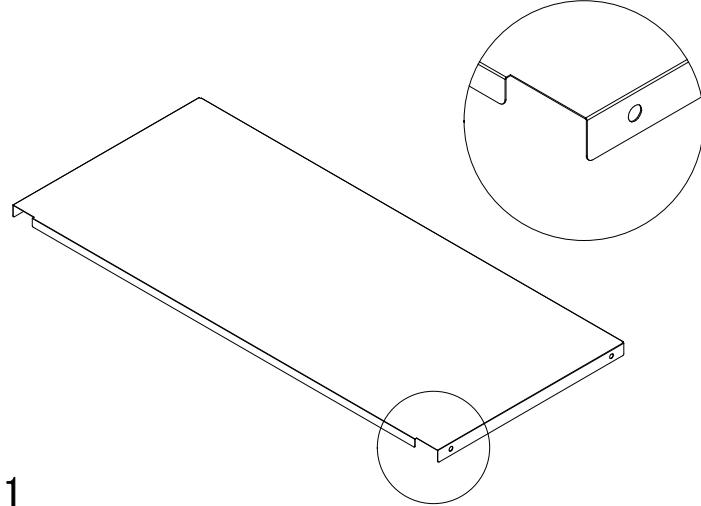
C*1



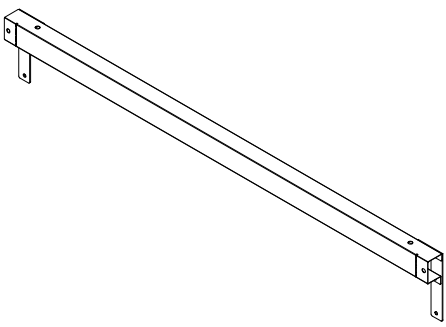
D*1



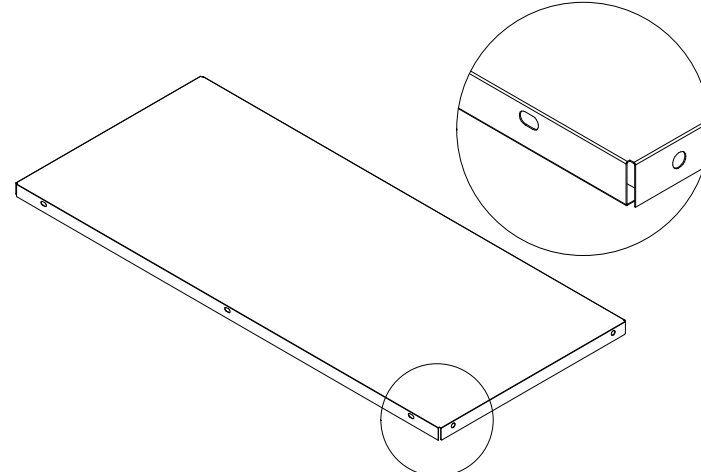
E*1



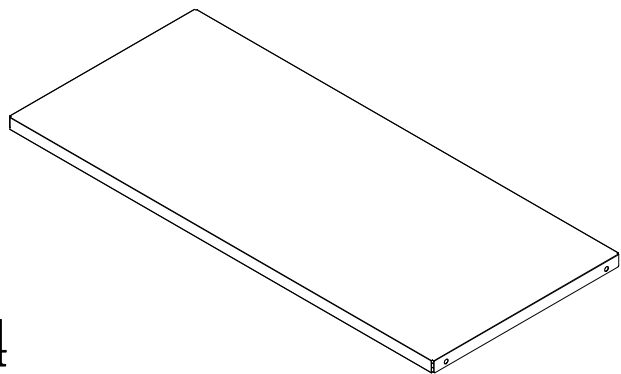
F*1



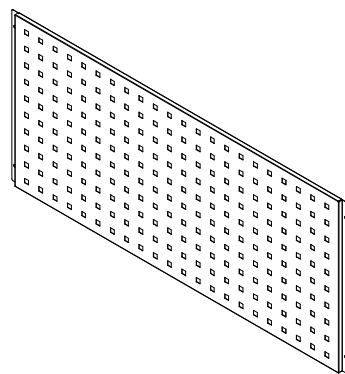
G*1



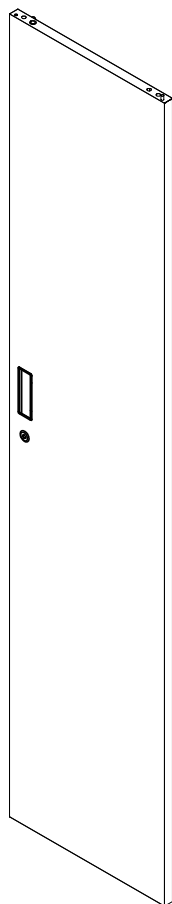
H*1



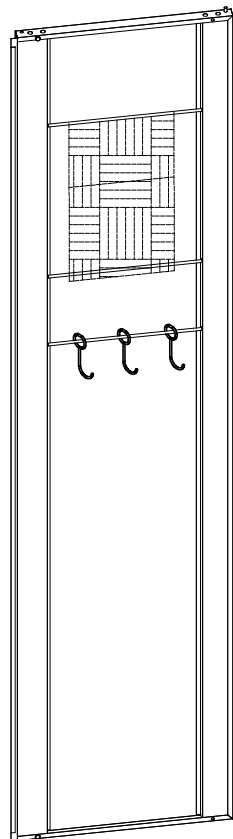
I*4



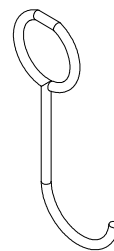
Y*1



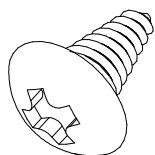
J*1



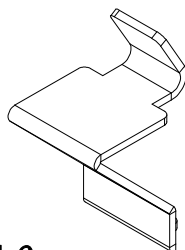
K*1



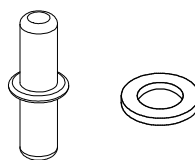
Z*6



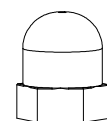
N*31



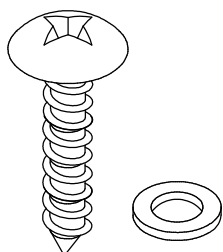
O*16



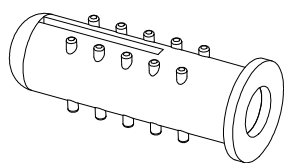
S*2



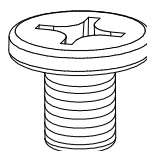
M*4



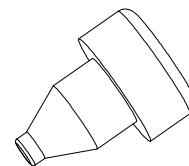
W*2



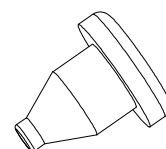
X*2



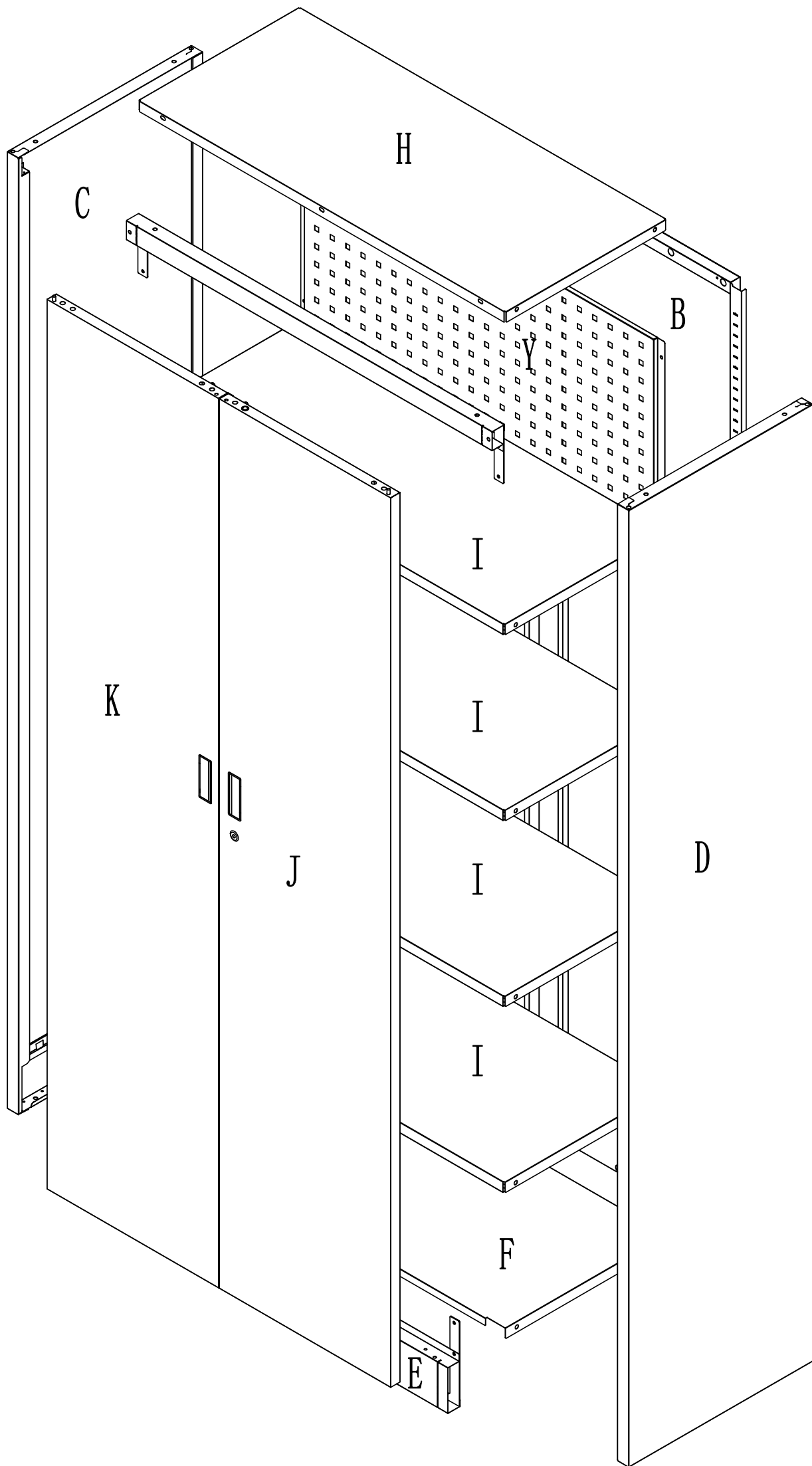
L*4





T*2

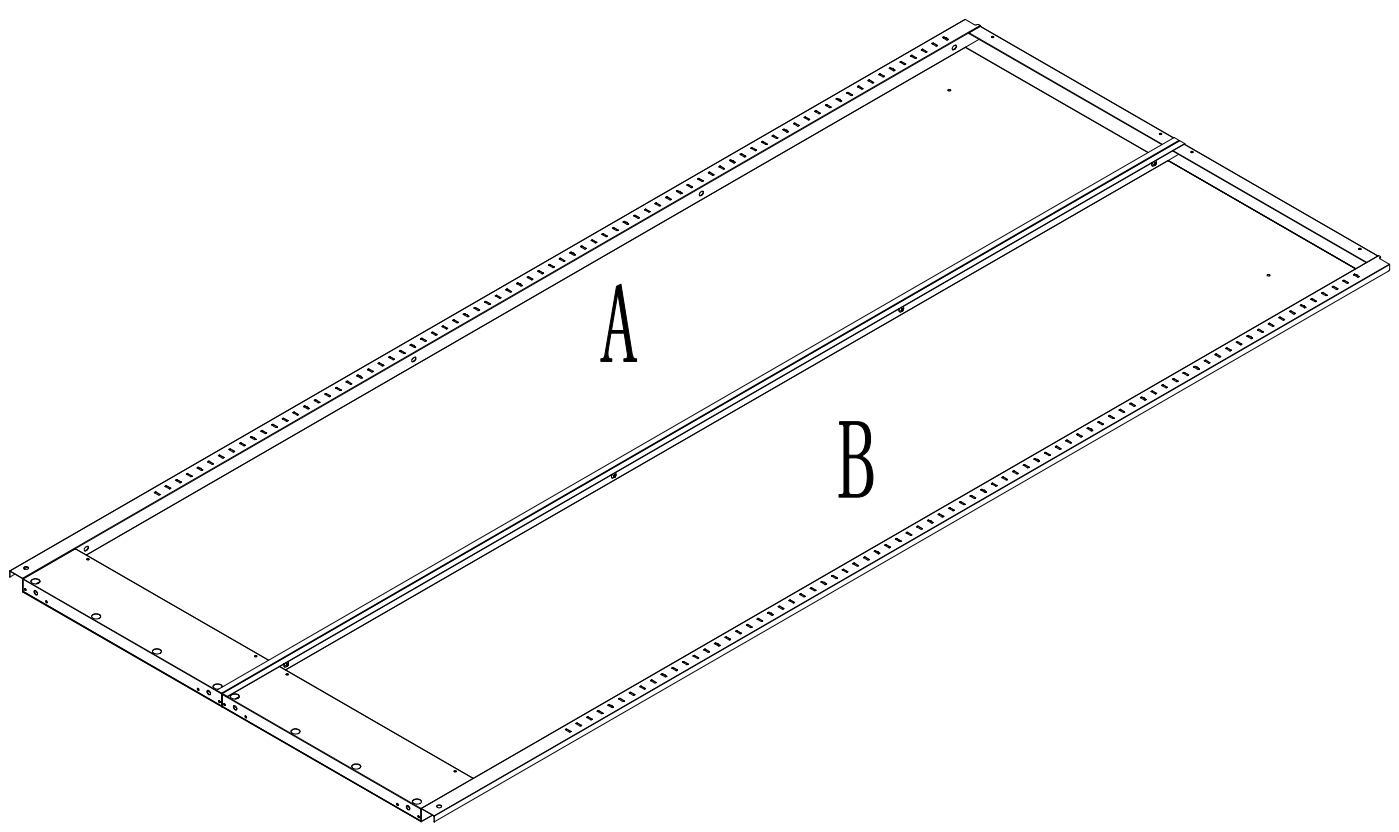
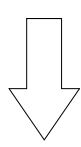
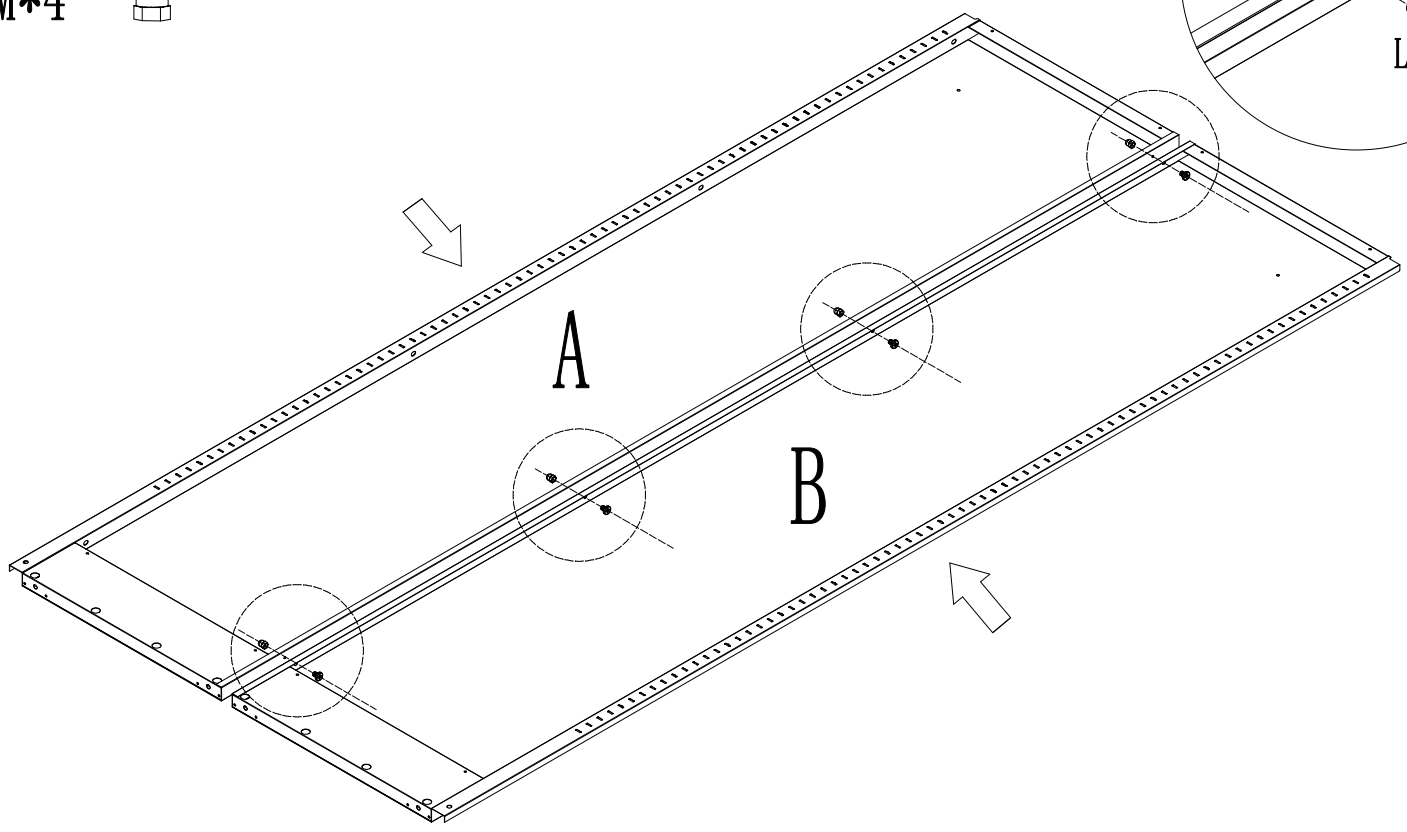
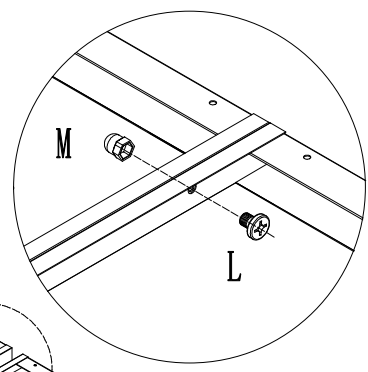


U*2



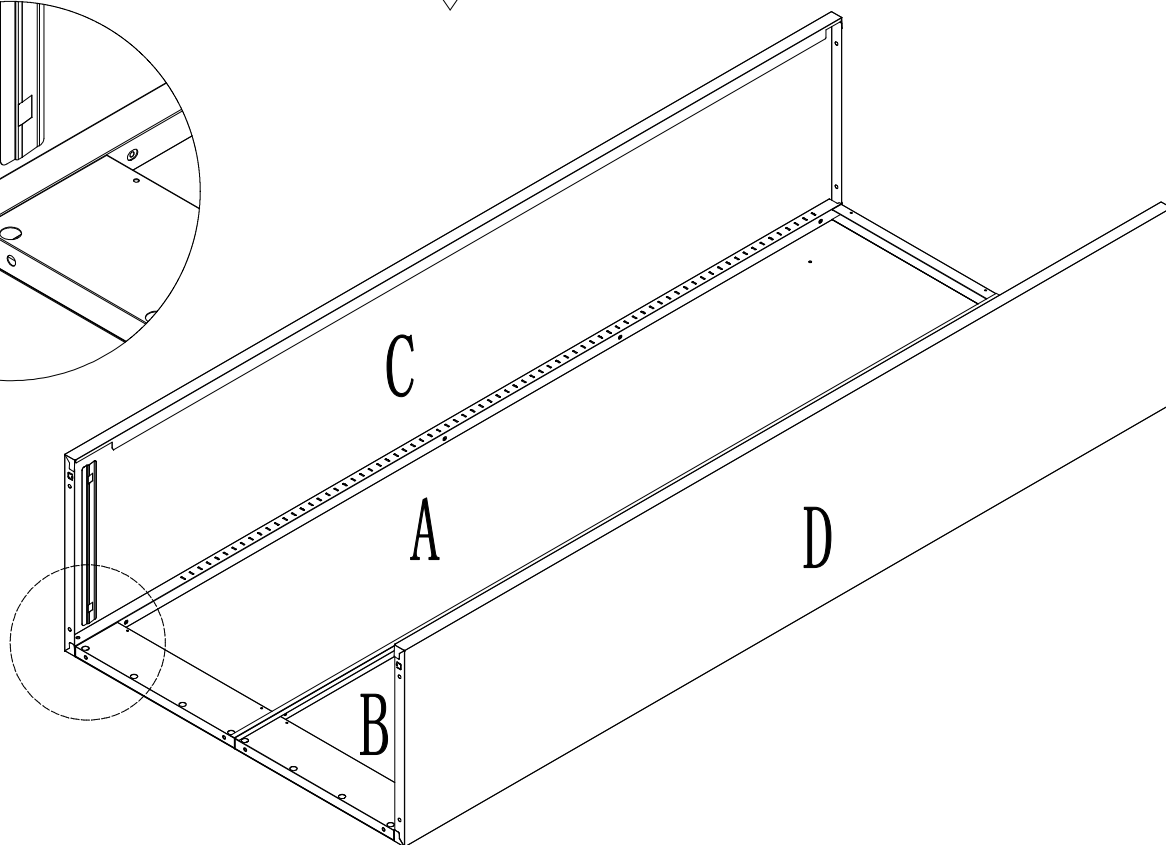
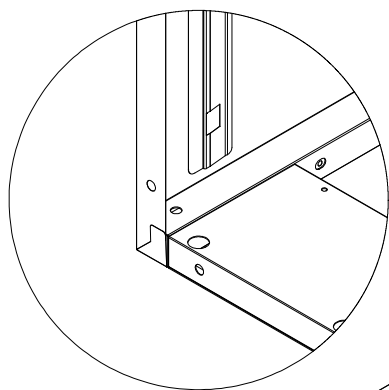
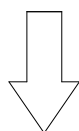
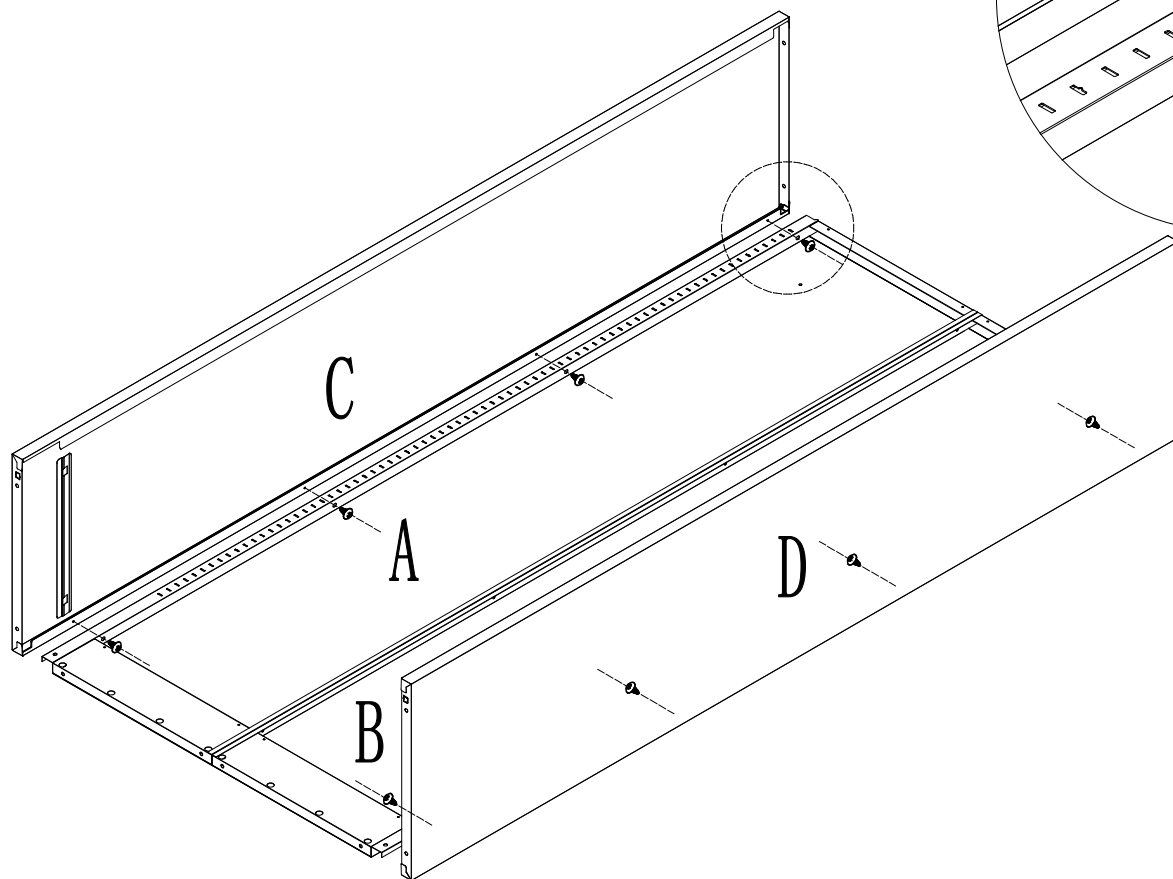
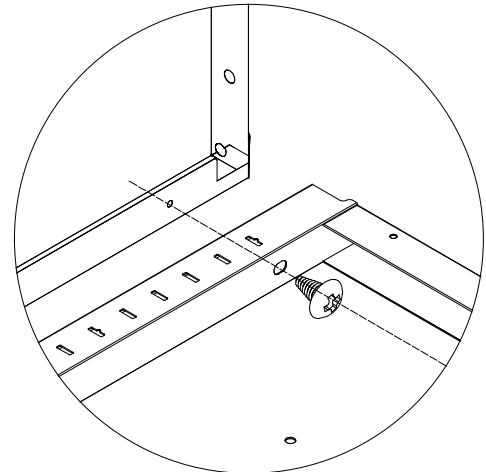
1

- L*4 
- M*4 



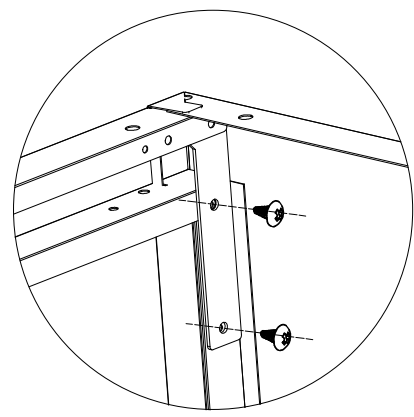
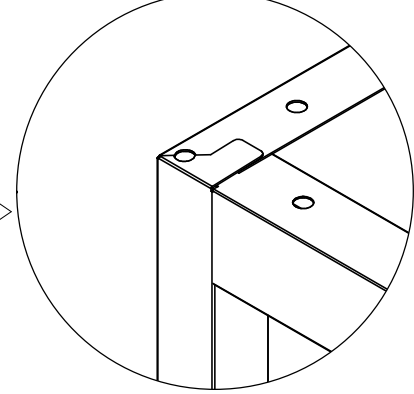
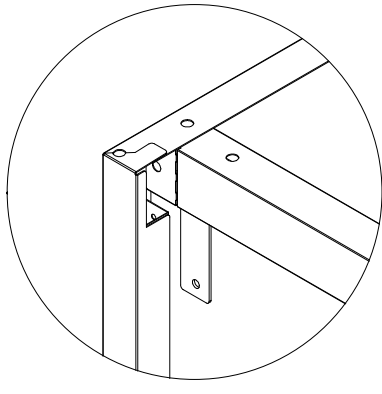
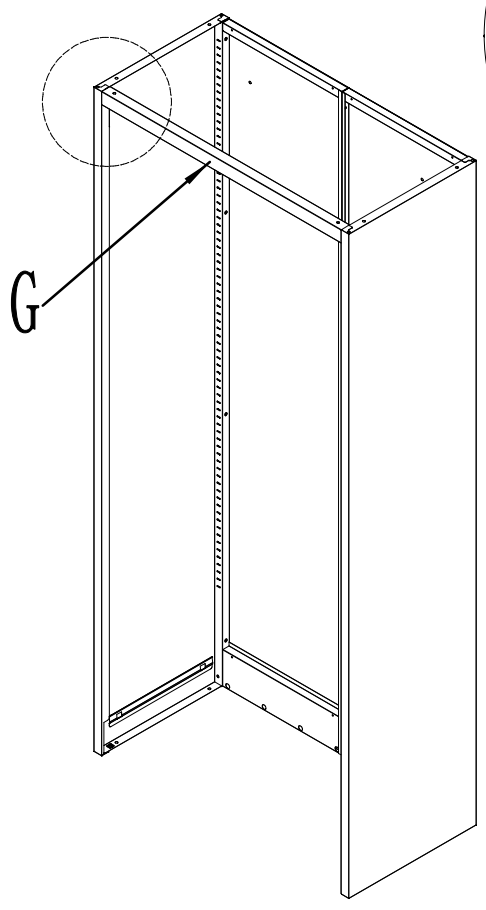
2

N*8 



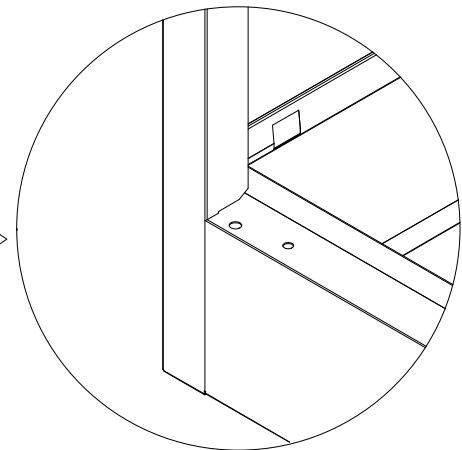
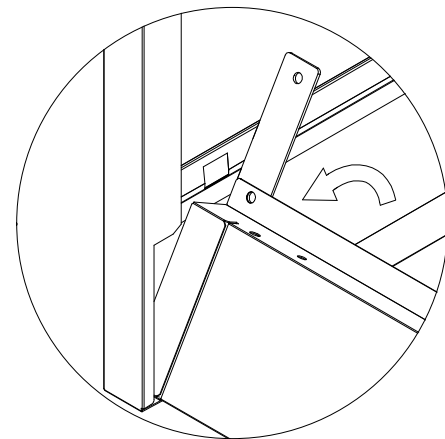
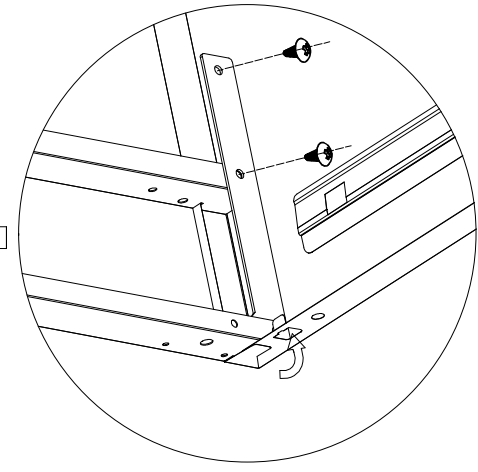
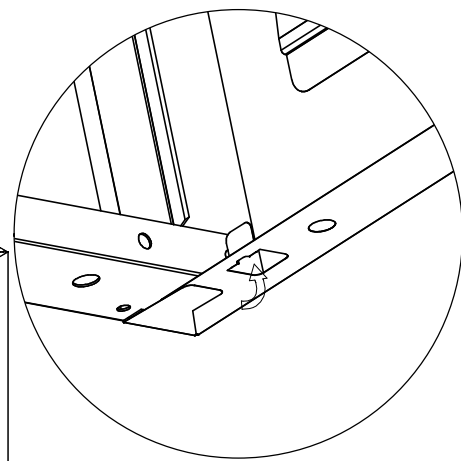
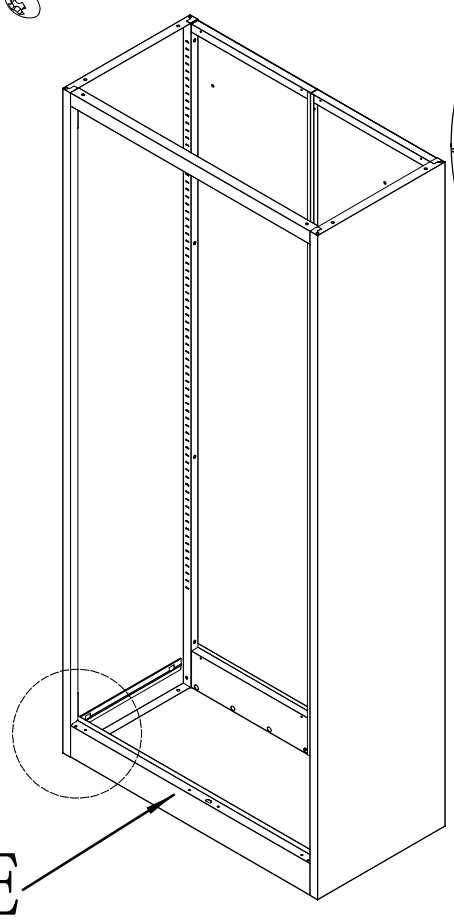
3

N*4 



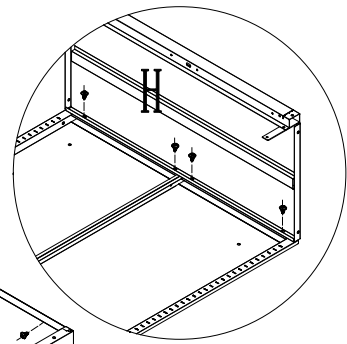
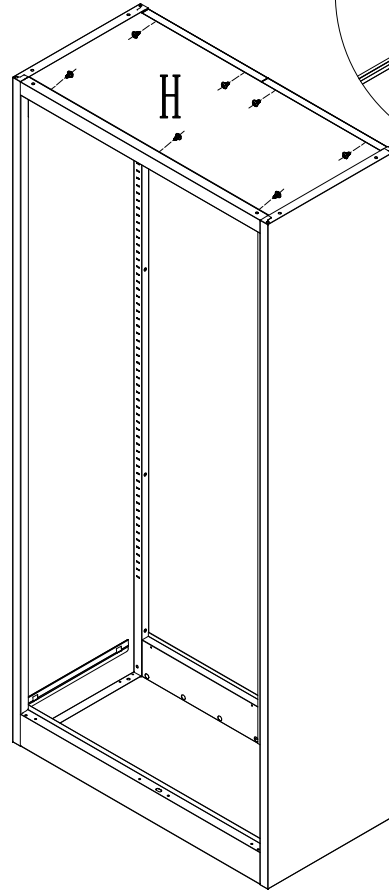
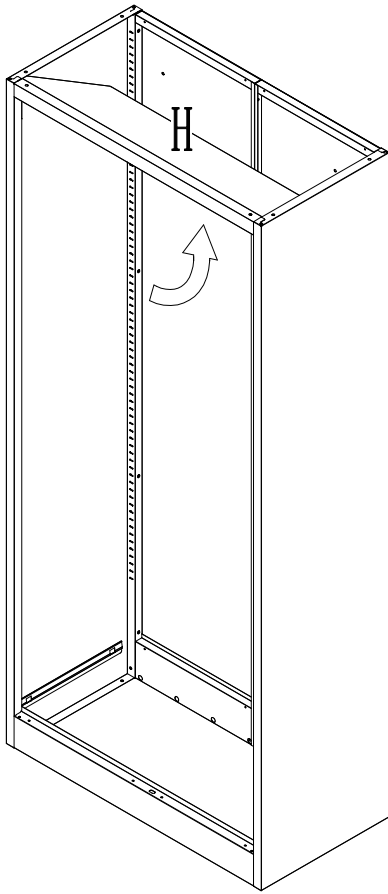
4

N*4 



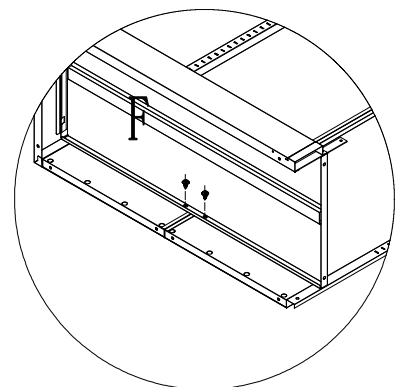
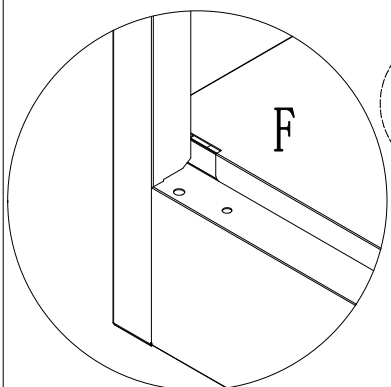
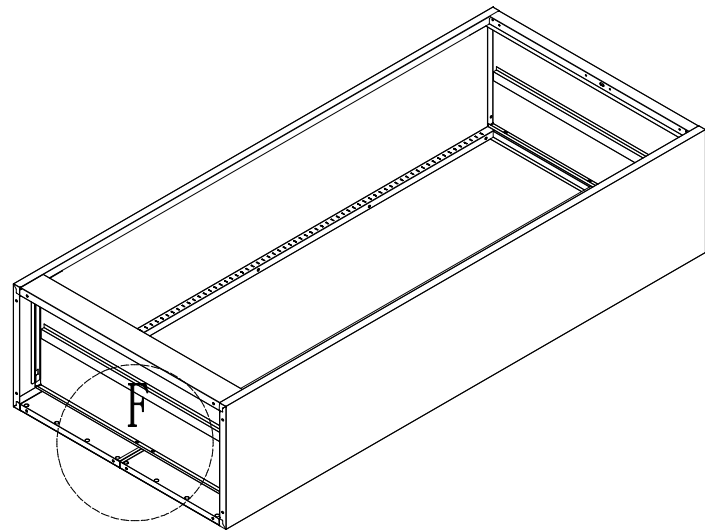
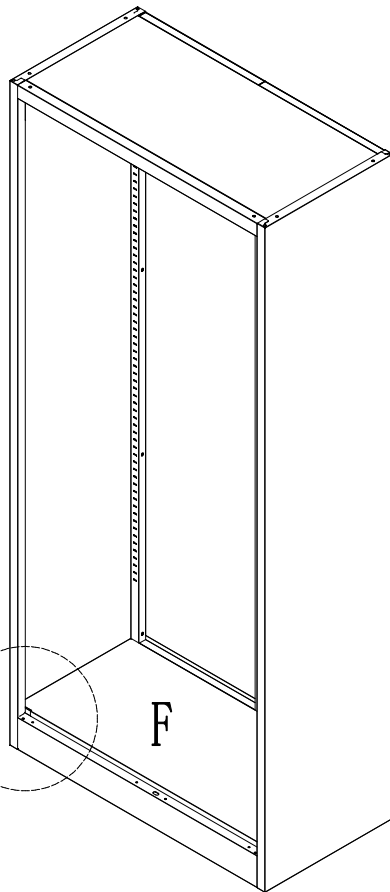
5

N*7 




6

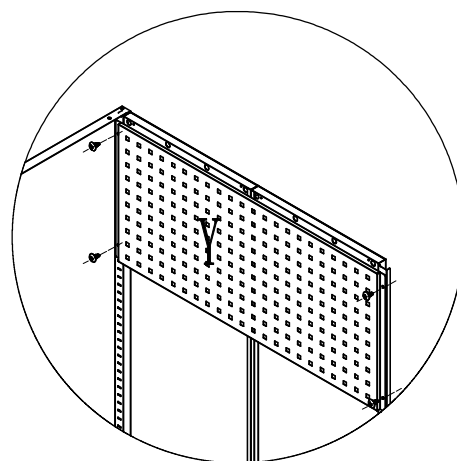
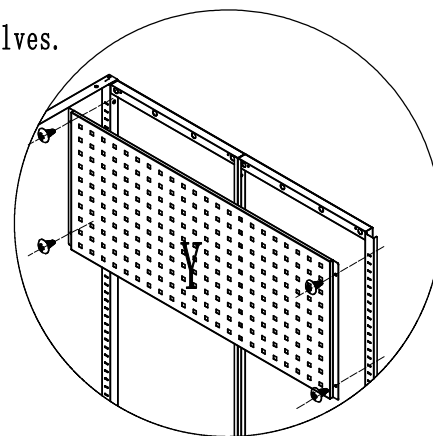
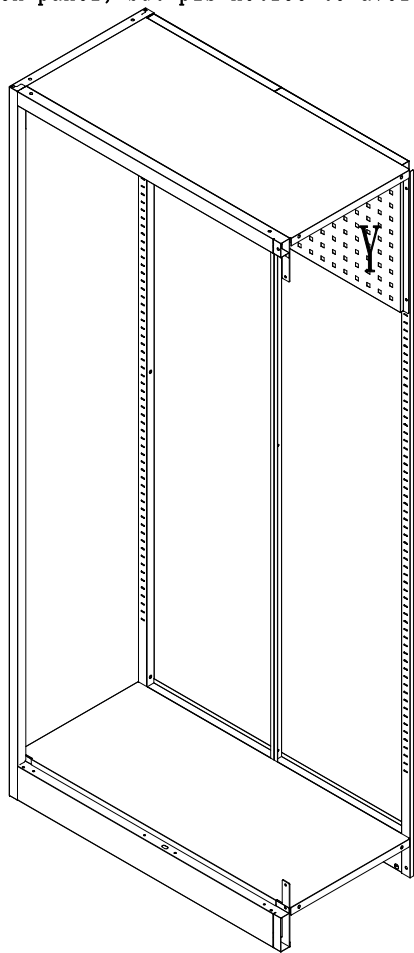
N*2 




7

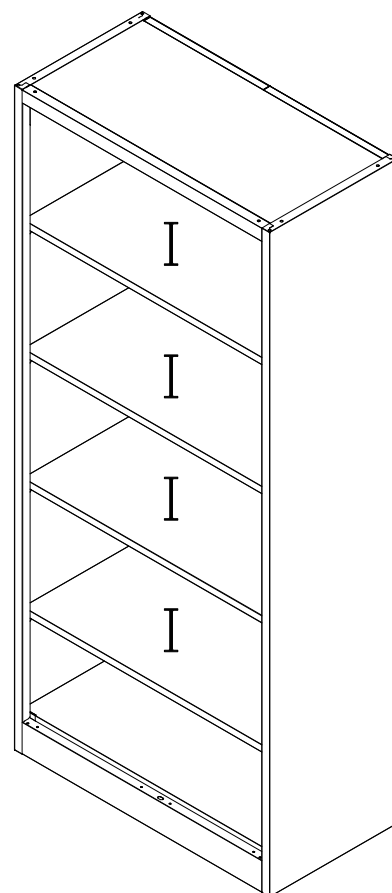
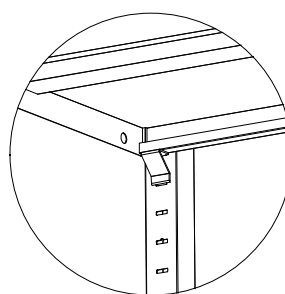
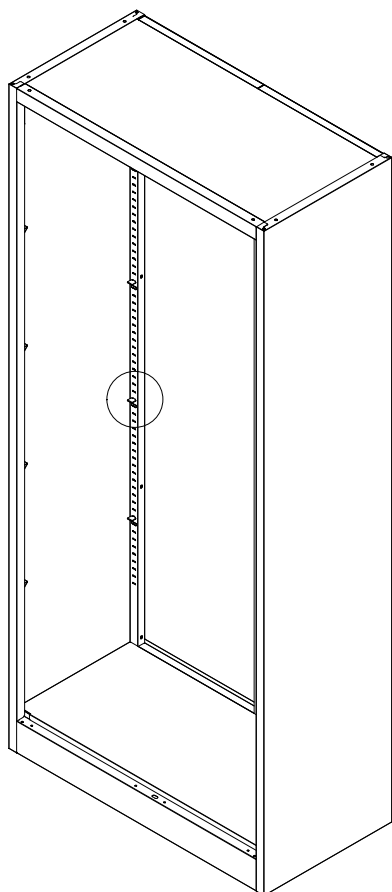
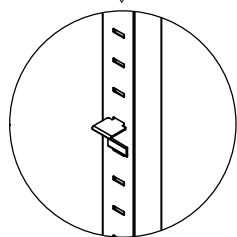
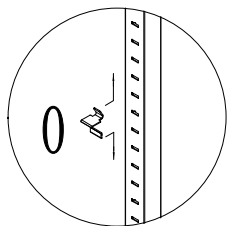
The pegboard can be installed freely in any hole rows on the back panel, but pls notice to avoid the partition shelves.

N*4 





8

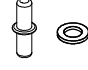
0*16 



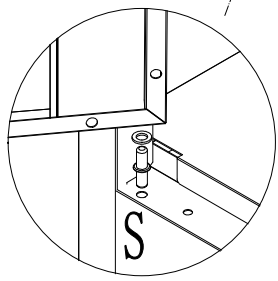
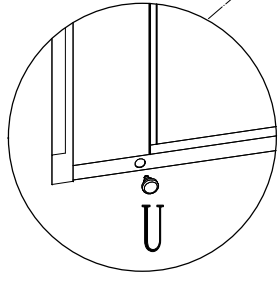
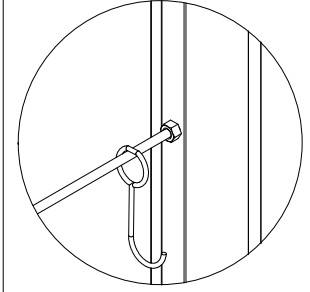
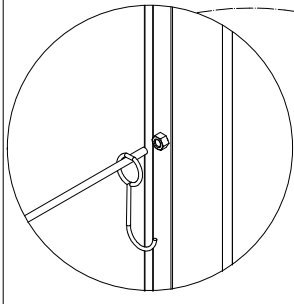
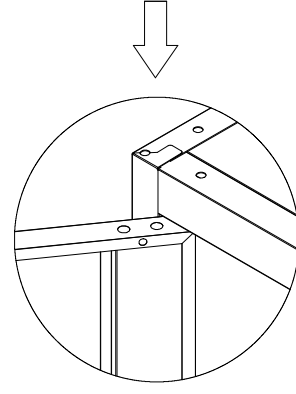
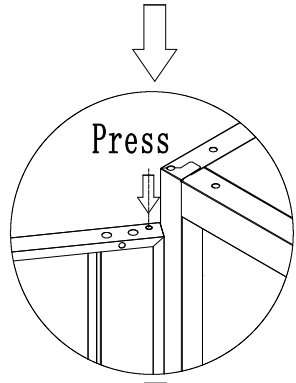
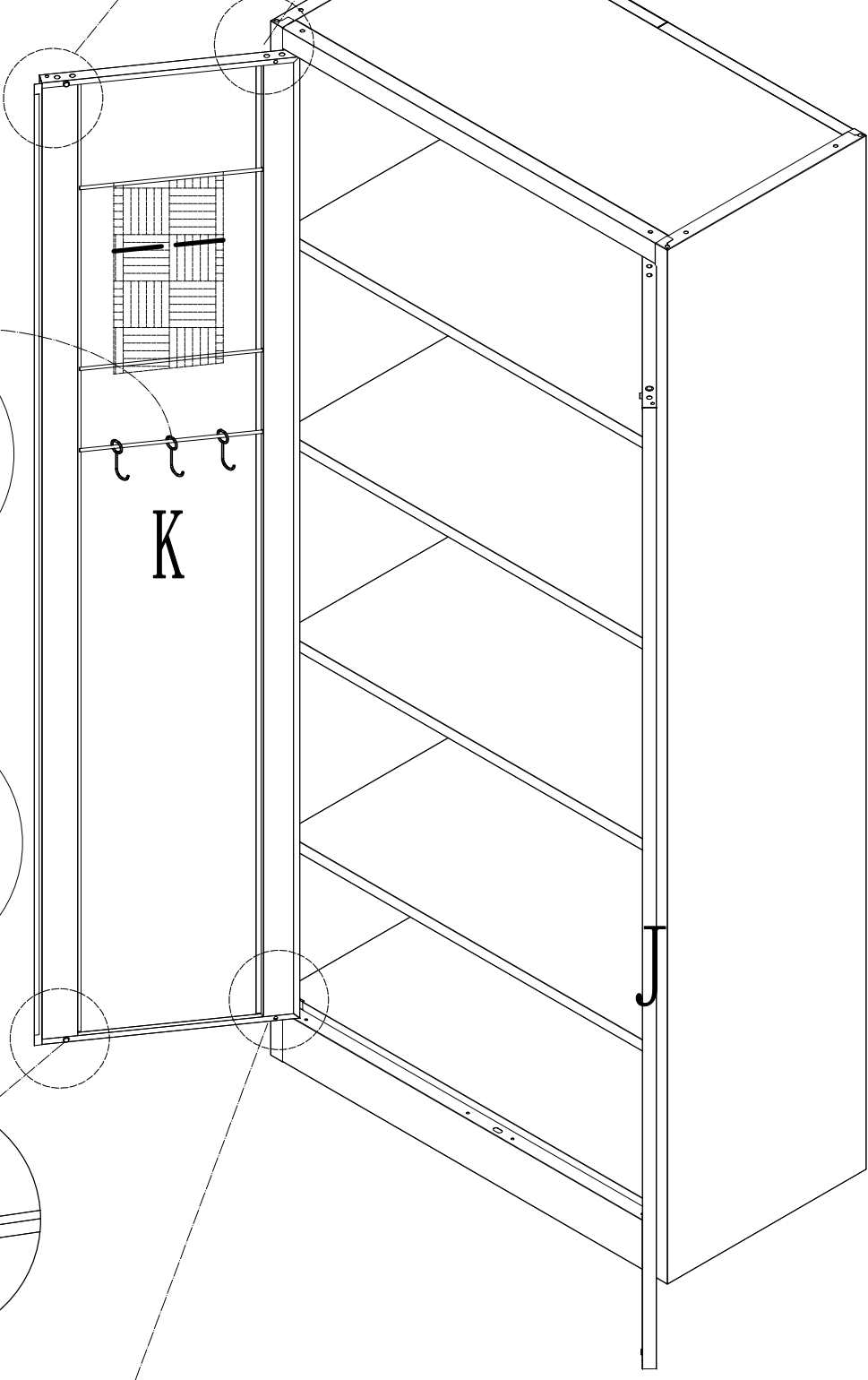
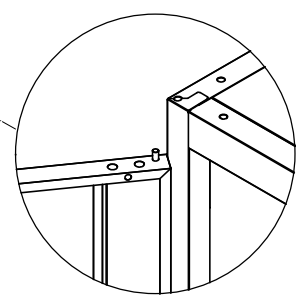
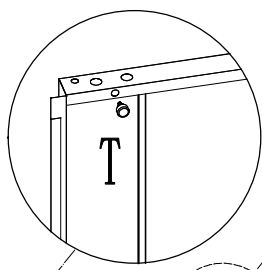
9

T*2 

U*2 

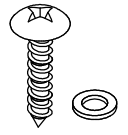
S*2 

Z*6 



10

W*2



X*2

