

6-Light Glass Globe Linear Island Pendant

Caution: Please turn off power before installation and read the manual carefully, we advise you contact professional electricians to install for safety purpose.

Product Features

Style: Modern/Contemporary

Material: Metal, Glass

Base Type: G9

Light Source Included: No

Voltage: 120VAC

Wattage: 25W

Package includes

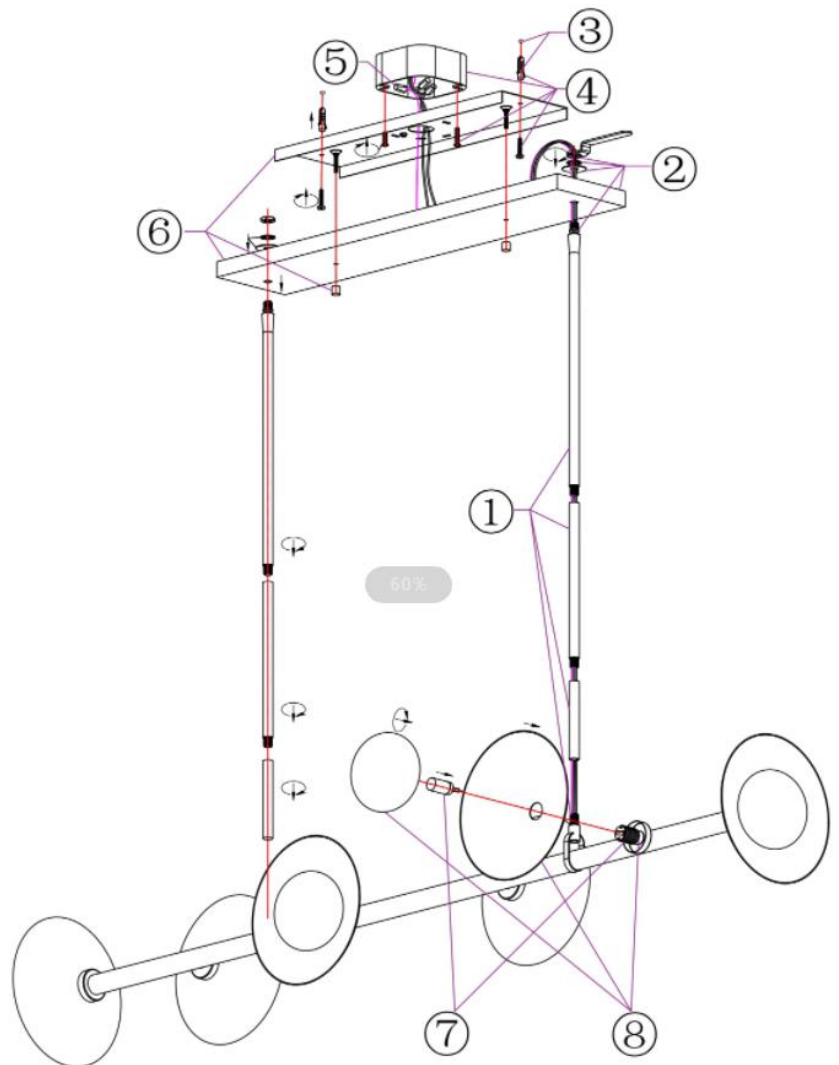
1 x Pendant Light

1 x Accessory Pack

1 x User's Manual

Installation Instructions

1. Select the appropriate length of hanging rods. Thread the wires through the rods and the ceiling adapter in sequence, then tighten them onto the fixture body.
2. Use the nuts to secure the square canopy onto the hanging rods.
3. Drill two $\varnothing 6$ mm holes in the wall aligned with the reinforcement holes on the mounting plate, spaced 370 mm apart, and insert the wall anchors.
4. Use the mounting screws and self-tapping screws to secure the mounting plate to the U.S. standard junction box.
5. Connect the incoming and outgoing wires using wire nuts. (Note: Connect live to live, neutral to neutral, and the ground wire to the grounding screw. Ensure no exposed wires remain.)
6. Use screws to secure the square canopy to the mounting plate.
7. Install the bulbs into the sockets.
8. After placing the saucer glass shade over the socket, secure it by tightening the glass ball.
9. Turn on the power to check whether the bulbs are working properly.



Note: Please use this product accordingly to its intended purpose, do not retrofit or remodeling the product. The warranty does not cover if the failure is caused by the third party product, or natural disasters.

Made in China