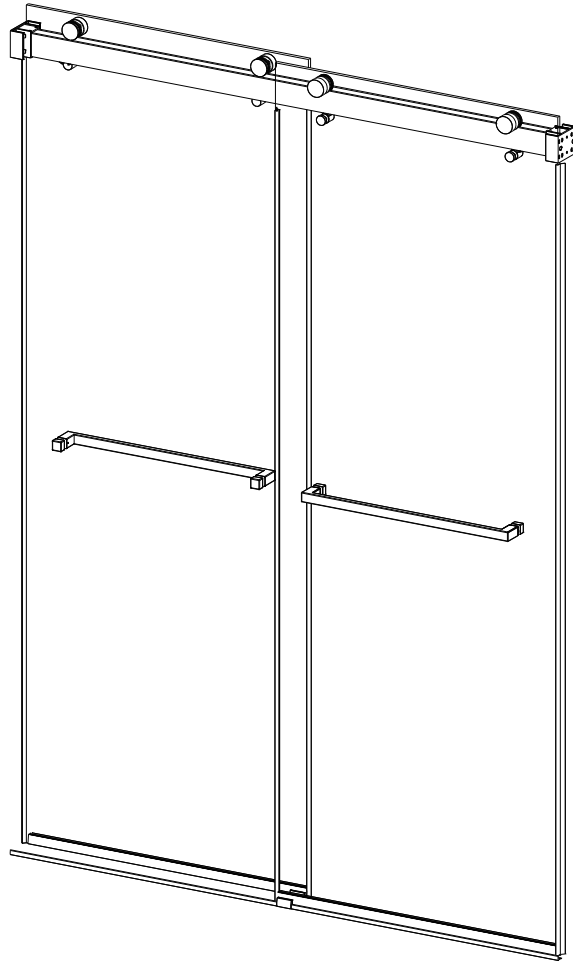


INSTALLATION INSTRUCTIONS WARRANTY INFORMATION

FOR SHOWER DOOR AND BATHTUB DOOR



KDSC-4876-BG
KDSC-5476-BG
KDSC-6076-BG
KDSC-6676-BG
KDSC-7276-BG
KDSC-7676-BG

KDSC-6060-BG
KDSC-6072-BG
KDSC-6066-BG

FINISH :

BG-Brushed Gold

◆ General Information

Inspect the product immediately upon receipt for transit damage, missing packs/parts or manufacturing fault. Damage reported later will not be accepted. Handle the product with care avoiding knocks and shock loading to all sides and edges of the glass.

◆ Notes: Safety glass can not be re-worked

Read these instructions carefully before start of installation.

Special care should be taken when drilling walls to avoid hidden pipes or electrical cables.

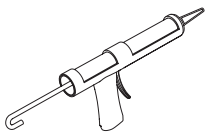
Note: This product is heavy and may require two people to install.

◆ Aftercare instructions

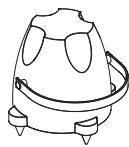
After use, your shower should be cleaned with soap and water. This is particularly important in hard water districts where insoluble lime salts maybe deposited and allowed to build up. Cleaners of a gritty or abrasive nature should not be used. Care should be taken to avoid contact with strong chemicals, they can be used but with caution, if in doubt contact the manufacturer of the cleaner in question.

Keep these instructions for aftercare and customer service details.

Tools Required

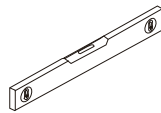


Silicone

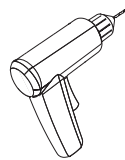


Lazer

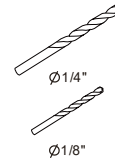
or



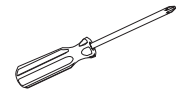
Level



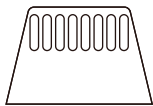
Drill



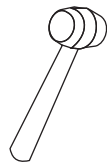
Drill Bit



Screwdriver
(Phillips)



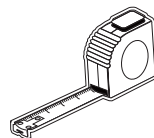
Sealant
Finishing Tool



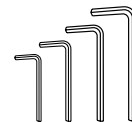
Mallet



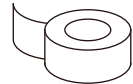
Pencil



Tape Measurer



Allen Wrenches



Painters
Tape

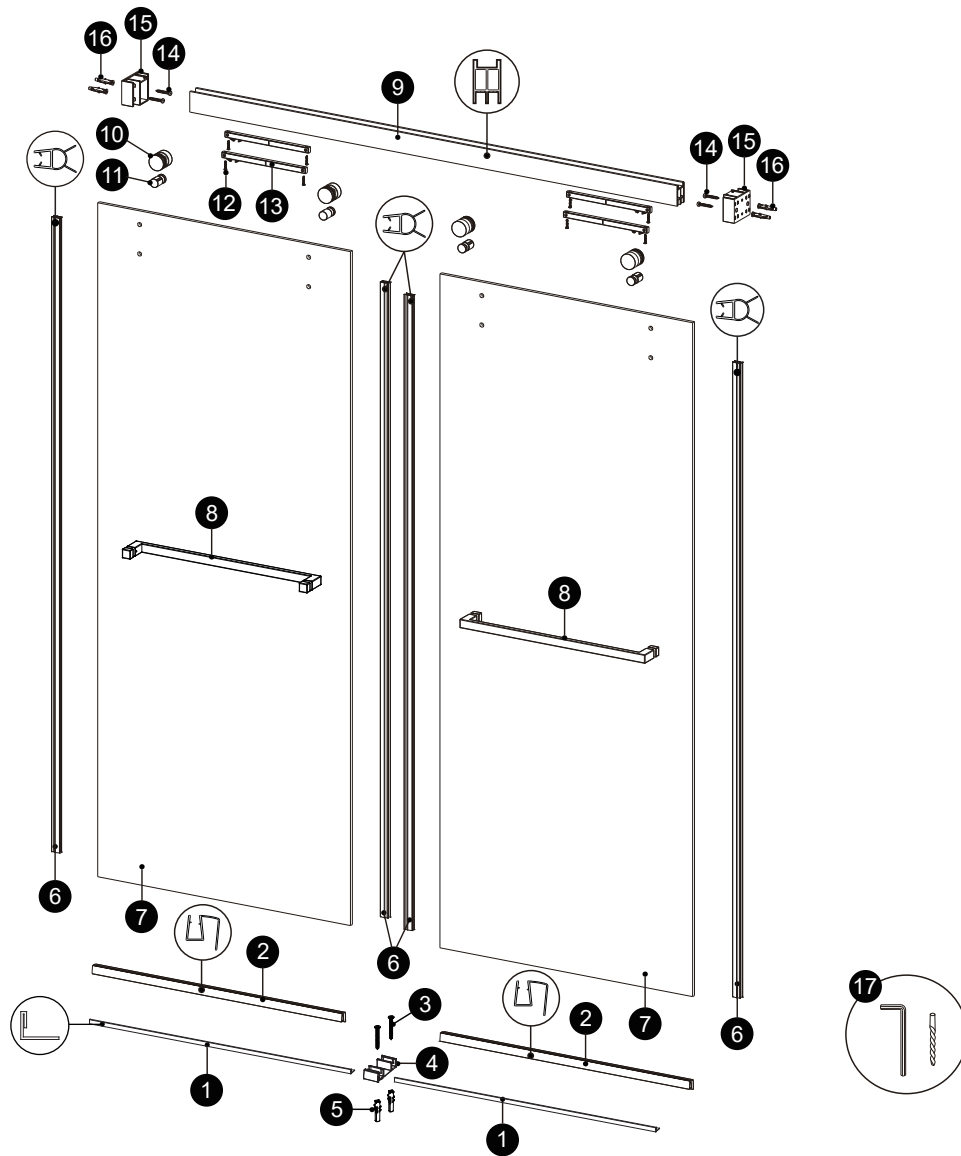
Tips: Measure the finished opening before proceeding with the installation to be sure that the correct model size has been ordered.

Note: These instructions will show the installation of the shower door. Please follow the same steps for the installation of the tub door.



PARTS LIST

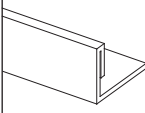
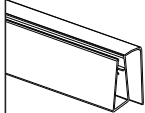

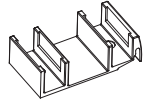
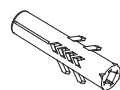
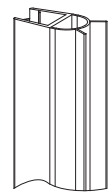
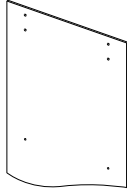
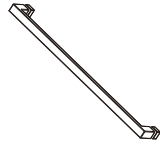
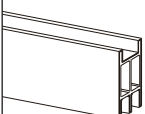





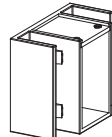



FOR SHOWER/BATHTUB DOOR



PACKING LIST

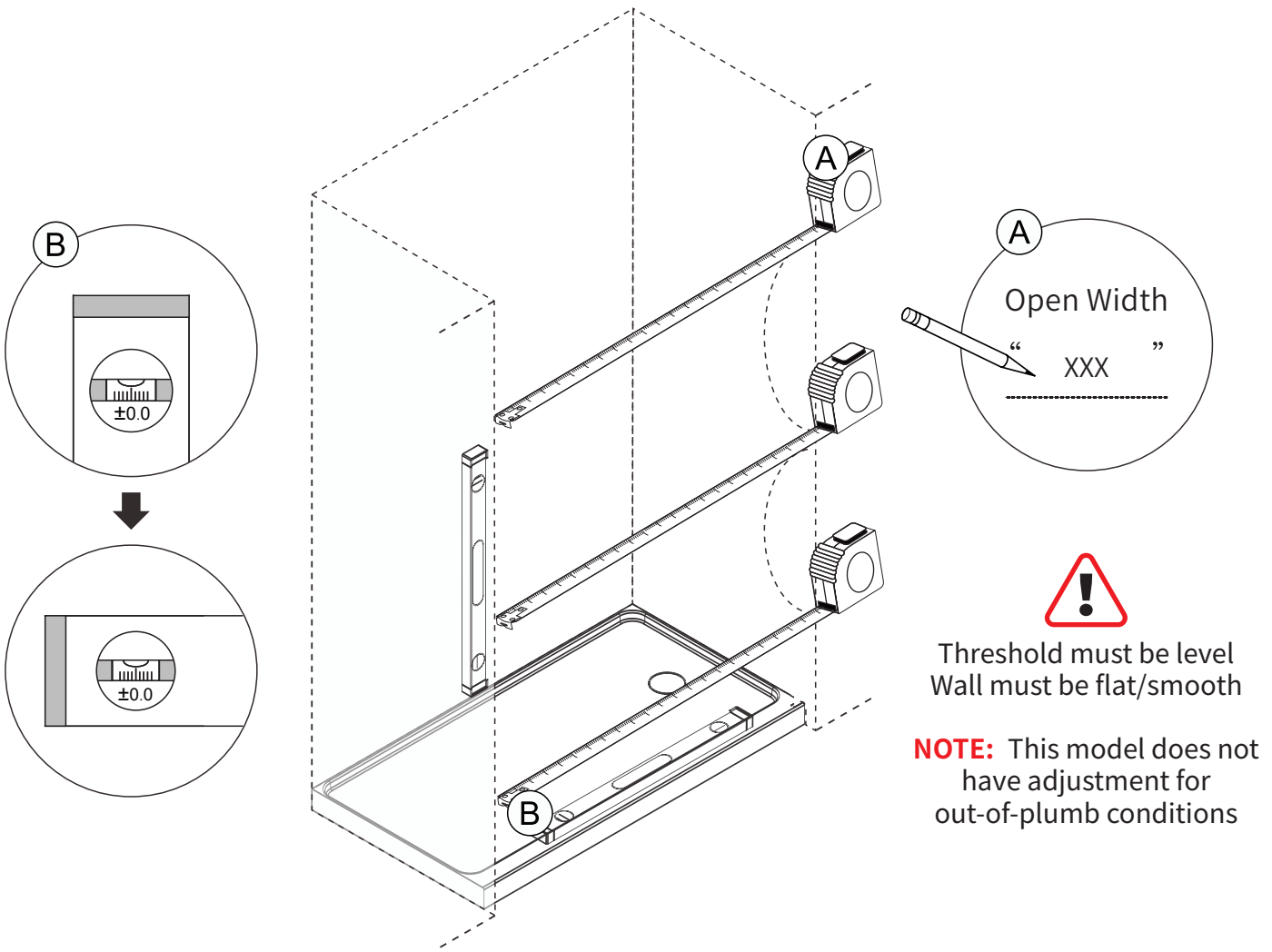


Keep small parts away from children

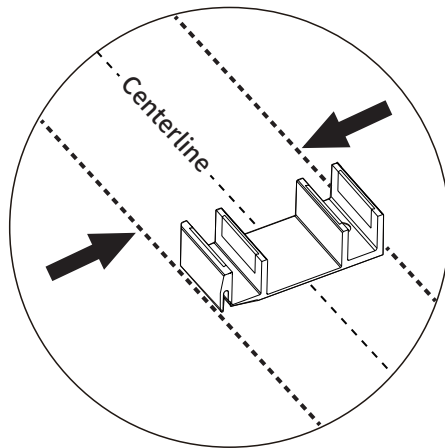
 1 2 PCS	 2 2 PCS	 3 2 PCS	 4 1 PC	 5 2 PCS	 6 4 PCS	 7 2 PCS	 8 2 PCS	
 9 1 PC	 10 4 PCS	 11 4 PCS	 12 8 PCS	 13 4 PCS	 14 4 PCS	 15 2 PCS	 16 4 PCS	 Allen Wrenche x1  Drill Bit x1 17

INSTALLATION STEPS

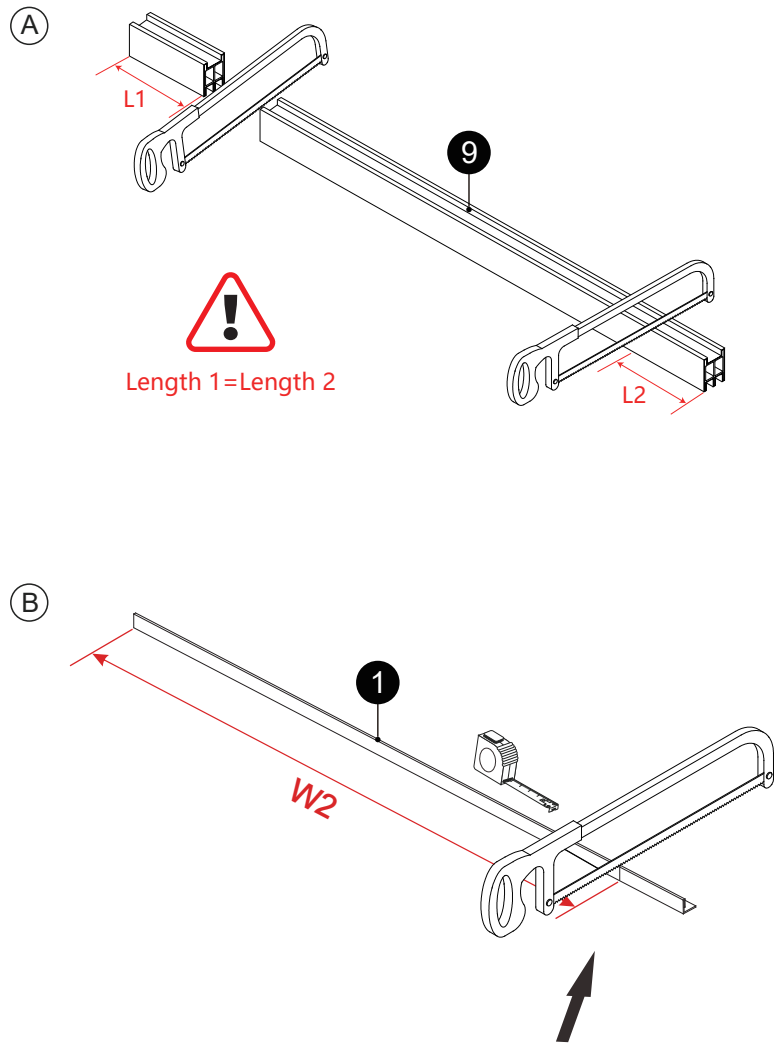
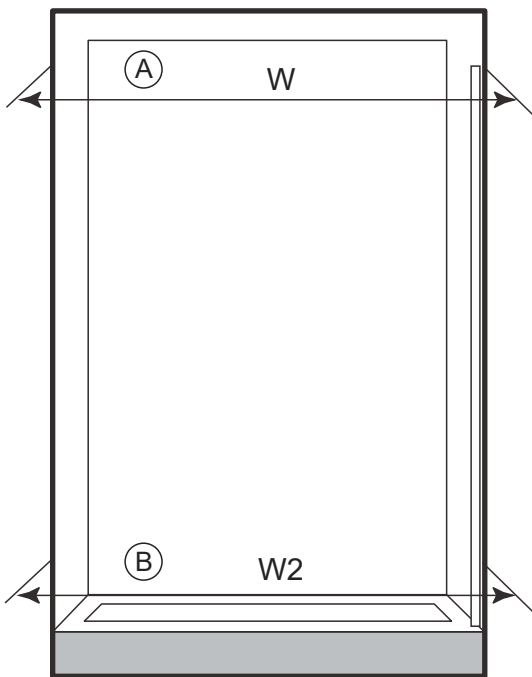
Step 1 - Measure wall opening size



minimum
3 3/8"
of flat required space



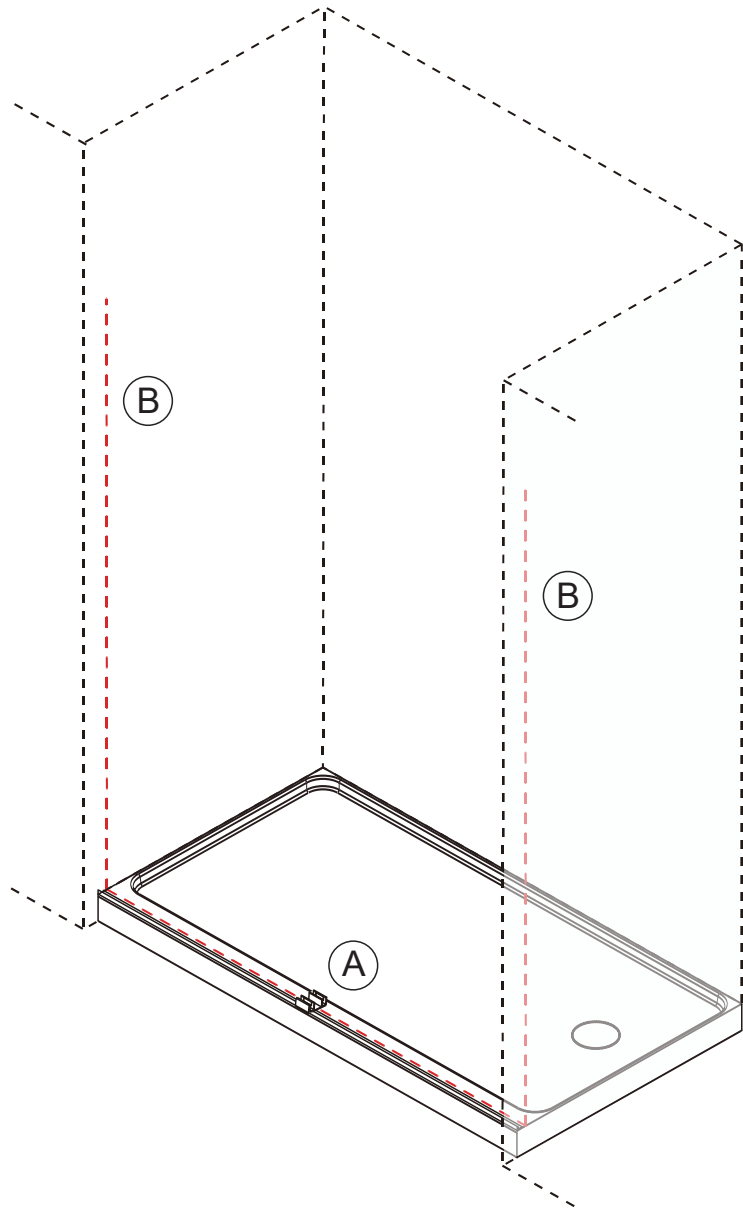
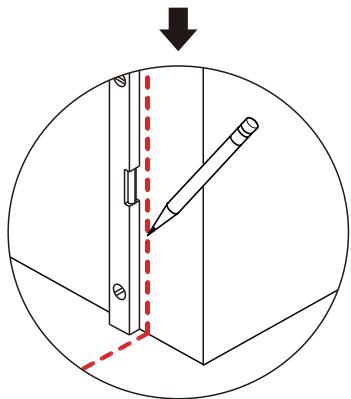
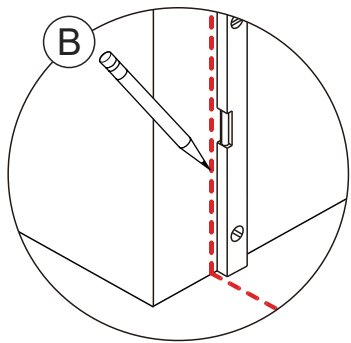
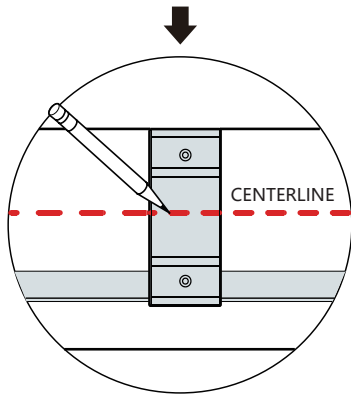
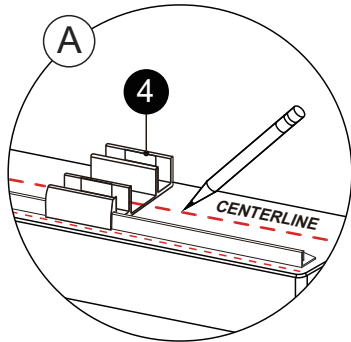
Step 2 - Measure/cut running rail and aluminium threshold.



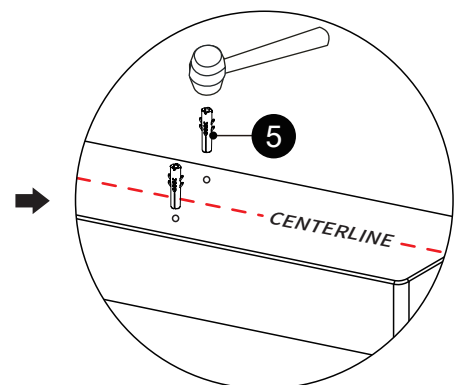
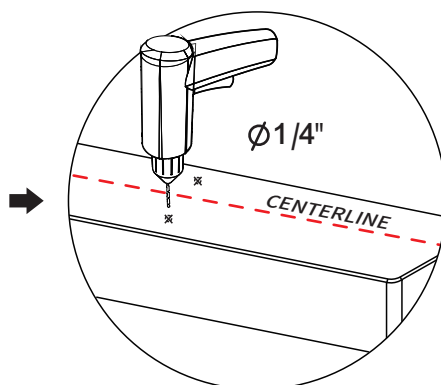
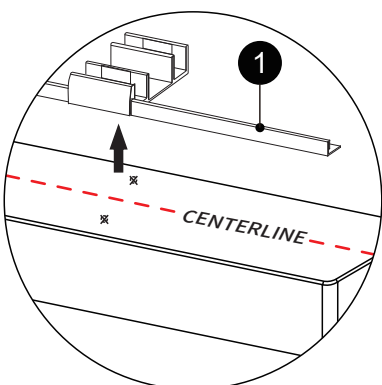
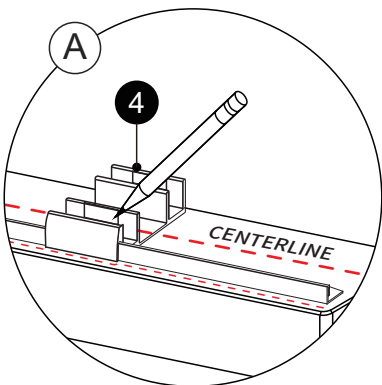
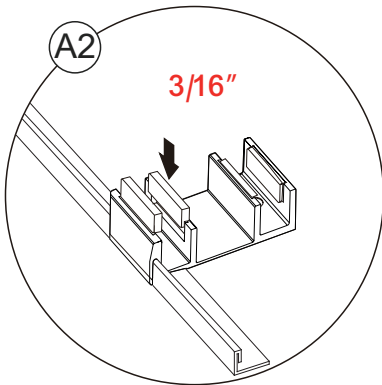
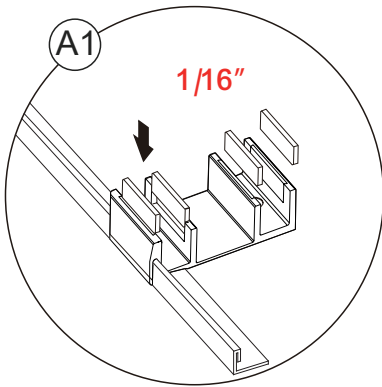
Measure the drip rail with a tape measure. Cut the length according to installer's recommendation.

Step 3 - Locating and Marking the Center Lines

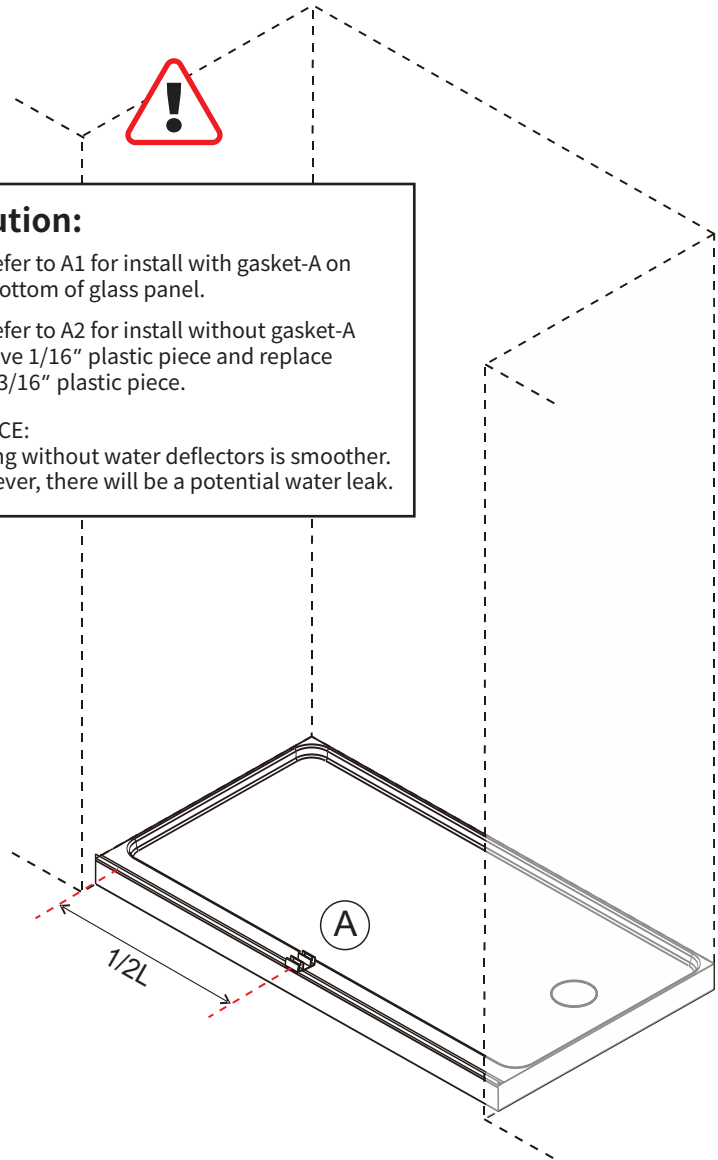
1. Find Center Width: Measure and mark the midpoint between the left and right walls on the ledge.
2. Find Center Depth: Measure and mark the midpoint from front to back of the ledge.
3. Transfer Marks: From the center, measure to each side of the ledge and mark these points.
4. Draw Plumb Lines: Draw vertical lines up the left and right walls from these side marks.



Step 4 - Install aluminium threshold and bottom guide.

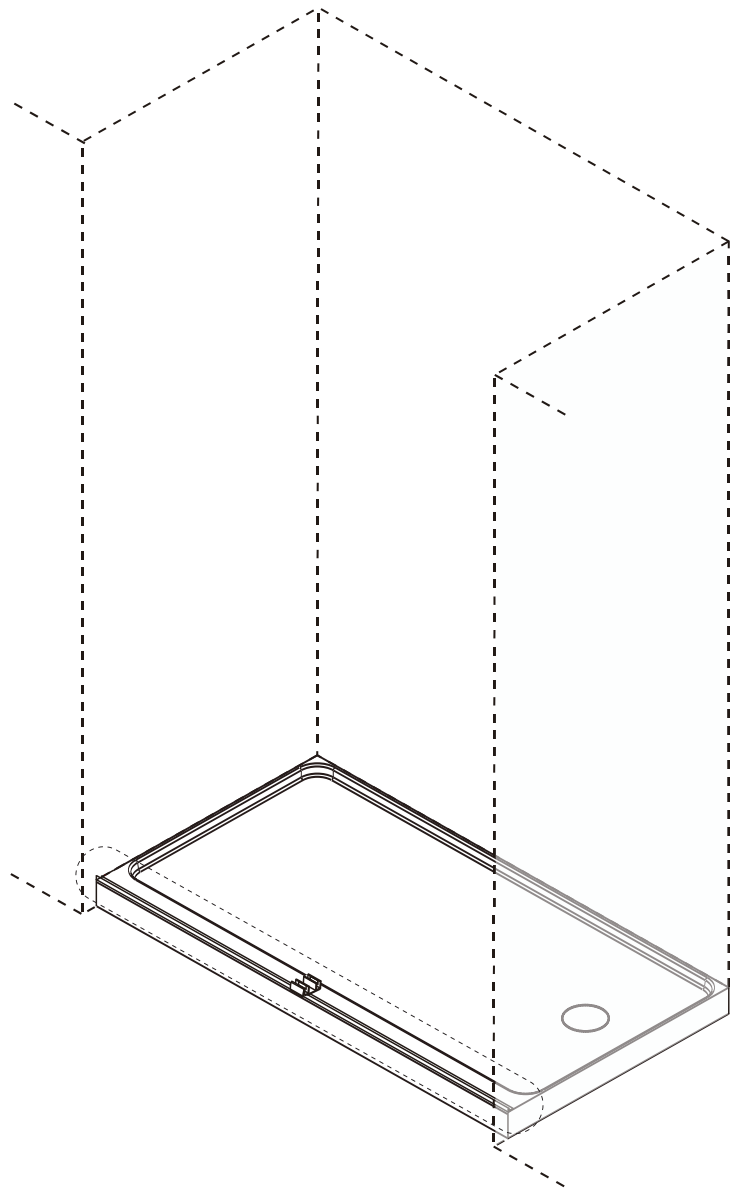
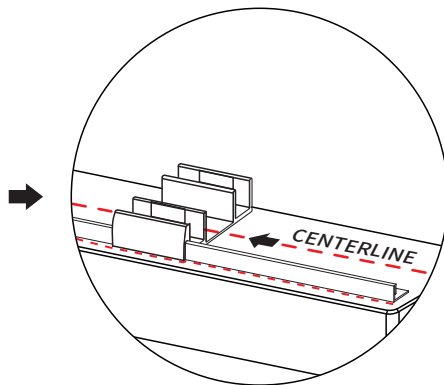
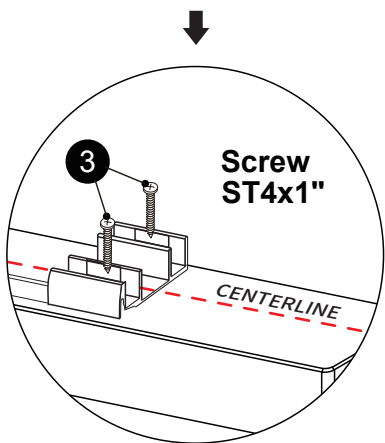
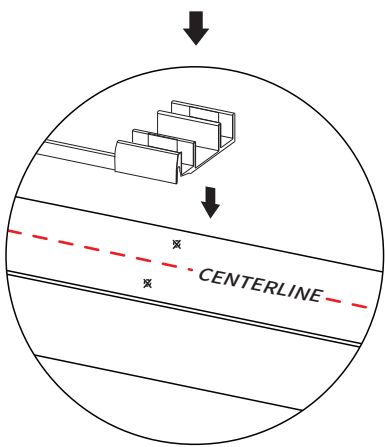
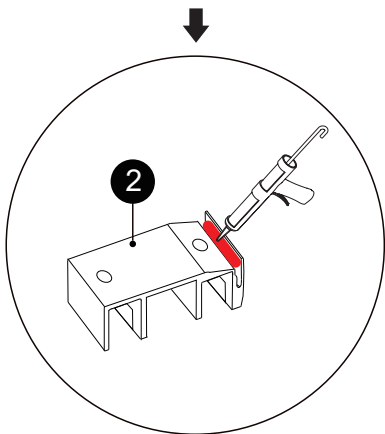
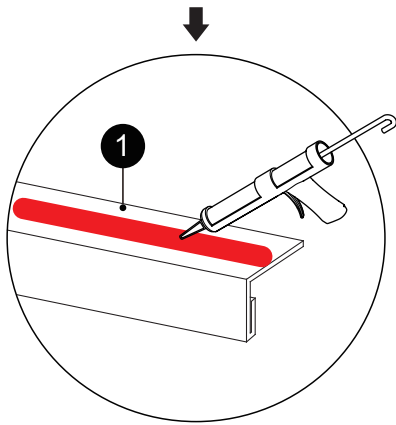


Caution:
A1. Refer to A1 for install with gasket-A on the bottom of glass panel.
A2. Refer to A2 for install without gasket-A remove 1/16" plastic piece and replace with 3/16" plastic piece.
NOTICE:
Sliding without water deflectors is smoother. However, there will be a potential water leak.



! Center the bottom guide and drill the hole.

Step 5 - Install aluminium threshold and bottom guide.



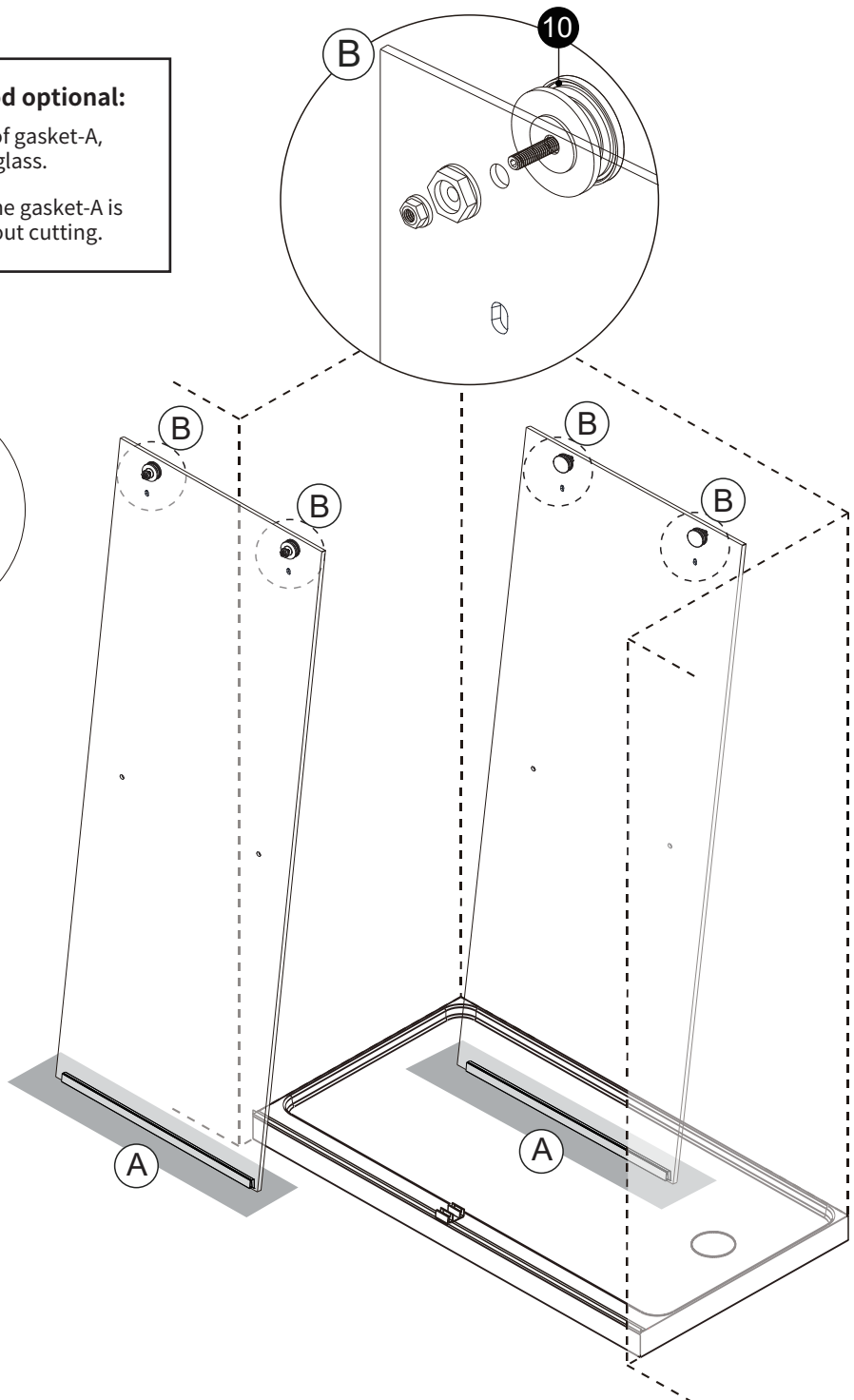
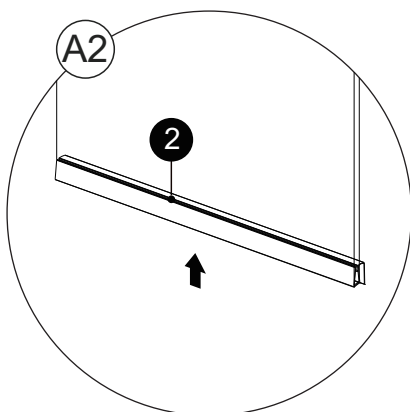
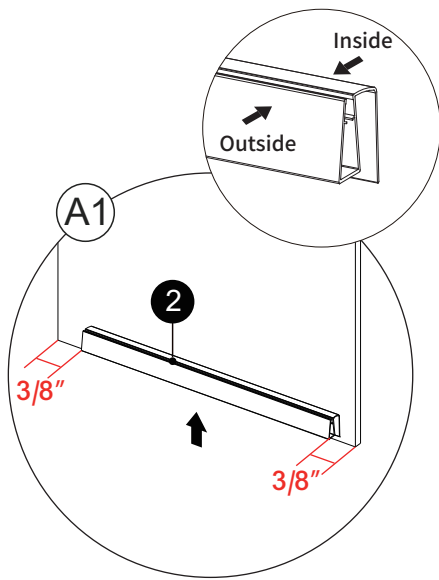
Step 6 - Install rollers and gasket-A.



Bottom gasket installation method optional:

Installation Method(A1): cut the length of gasket-A, leave 3/8" from the left and right of the glass.

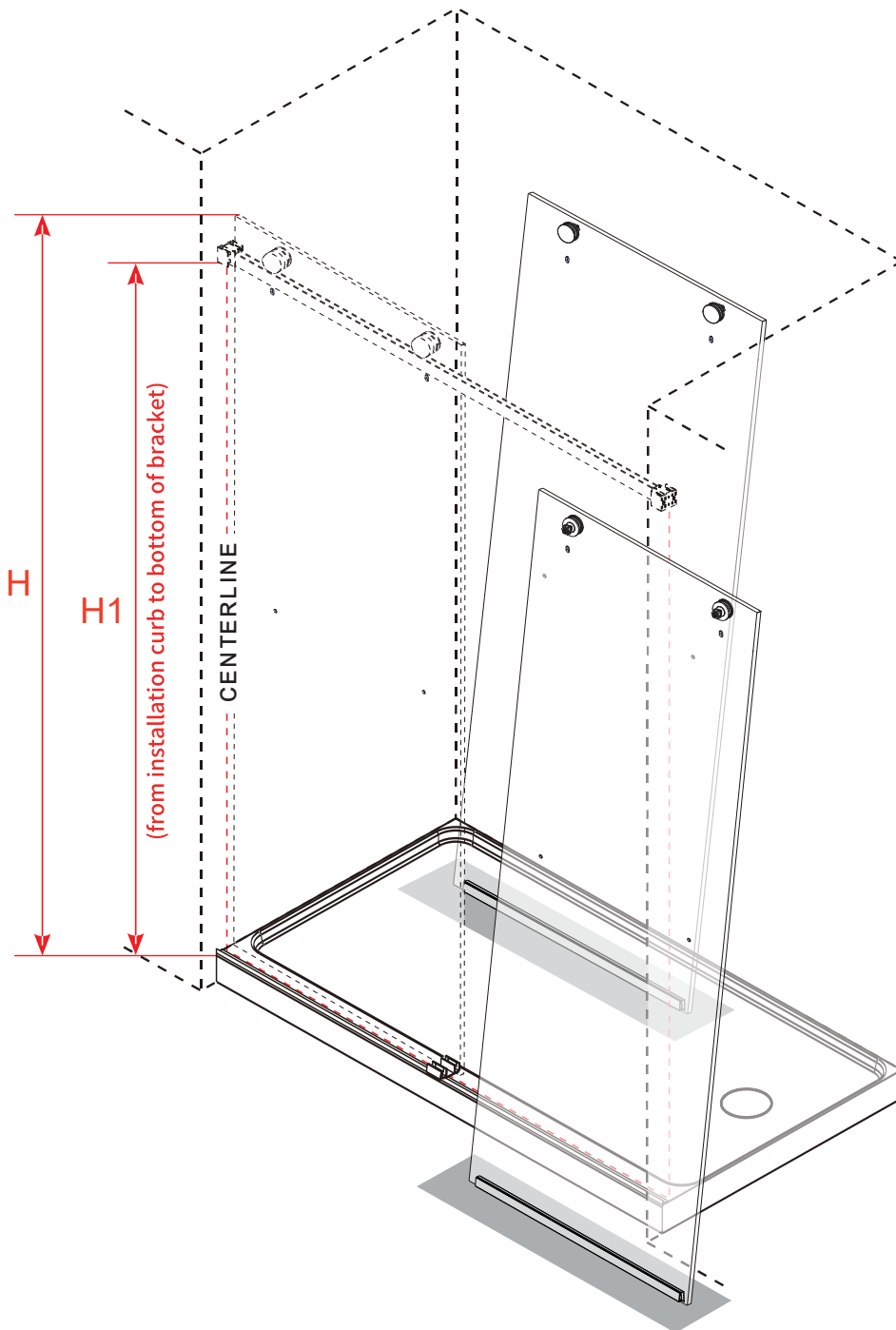
Installation Method(A2): The length of the gasket-A is aligned with the width of the glass without cutting.



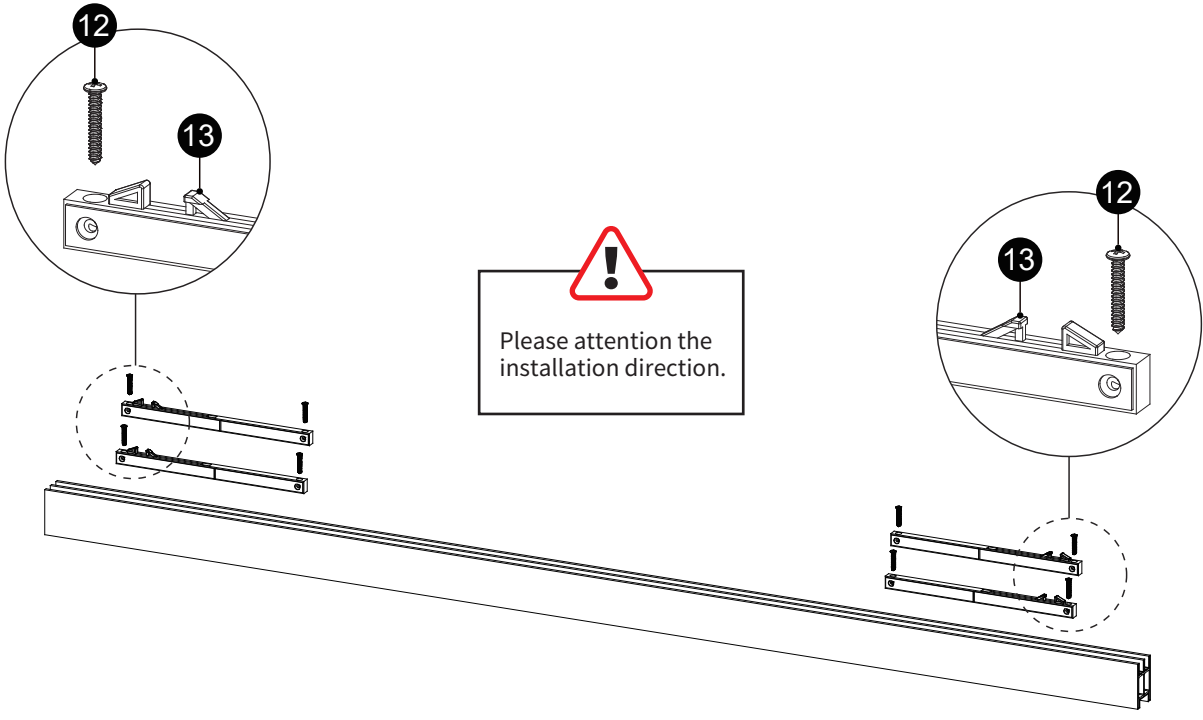
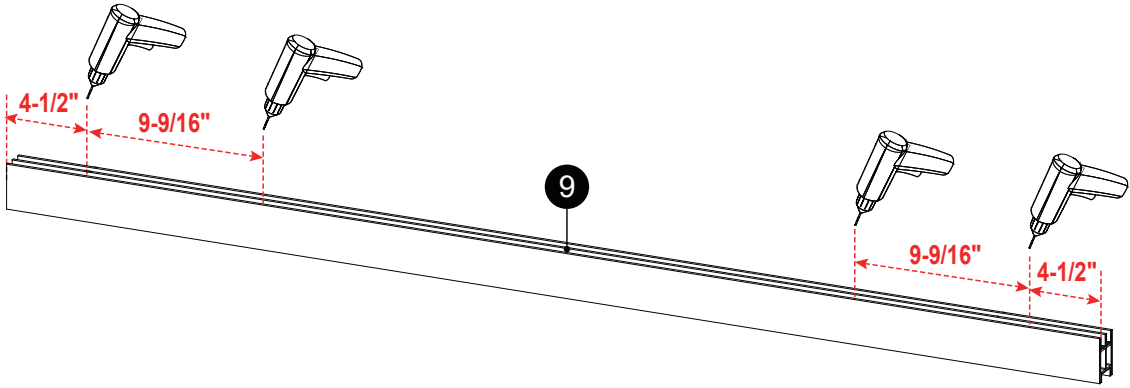
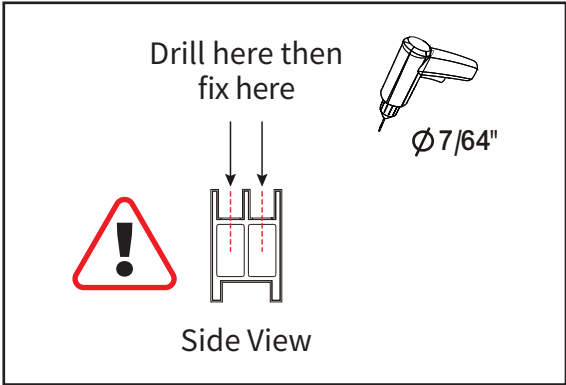
Step 7 - Measure/mark the installation site of the wall bracket.

Table

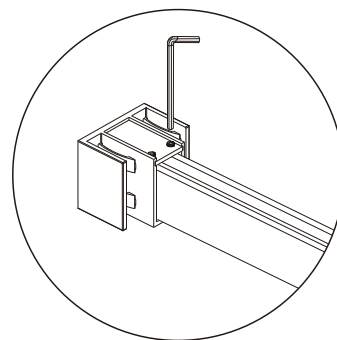
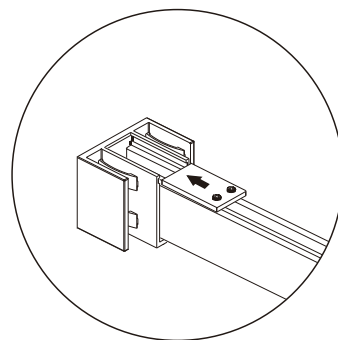
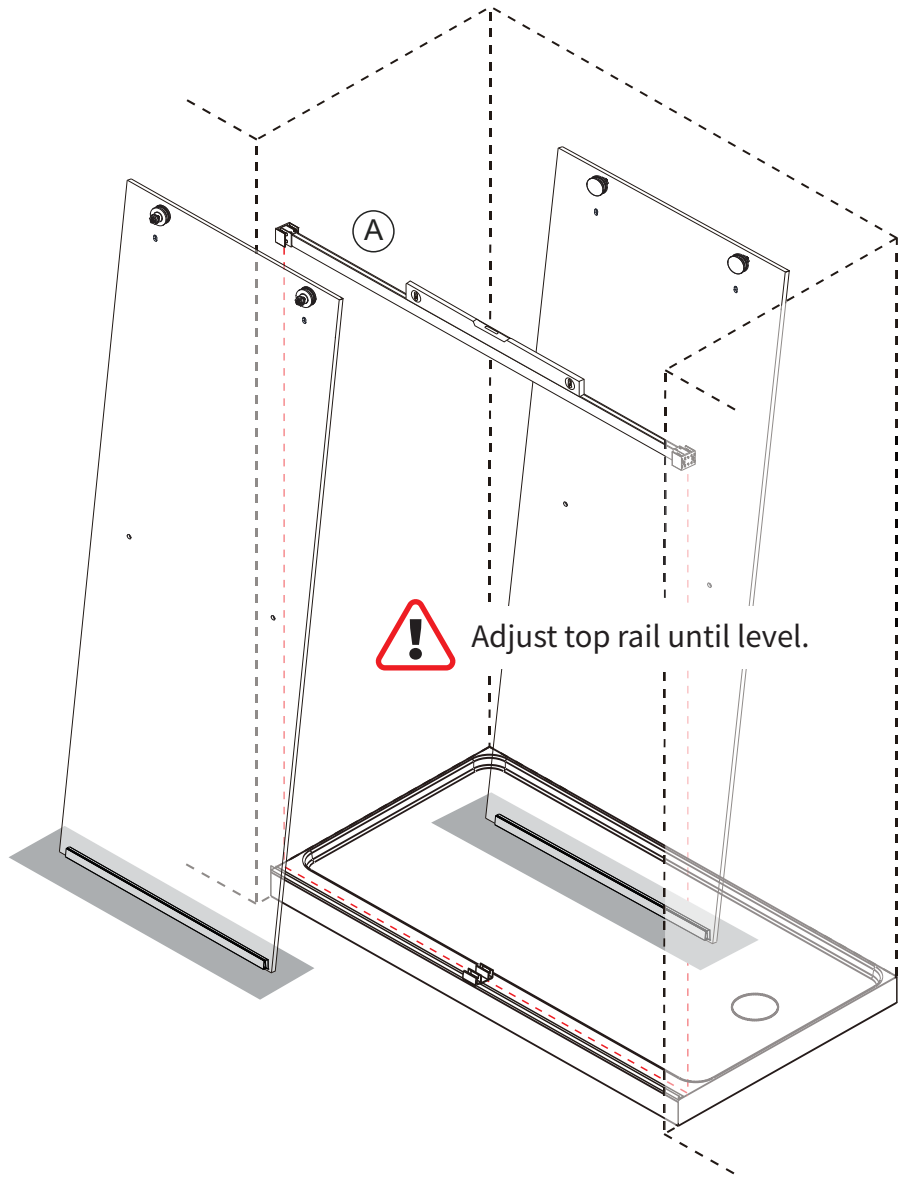
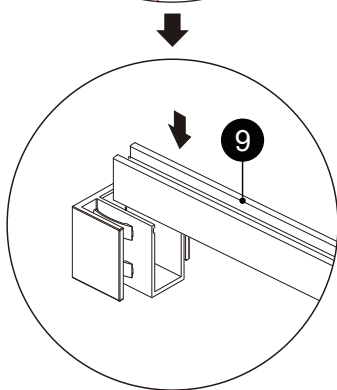
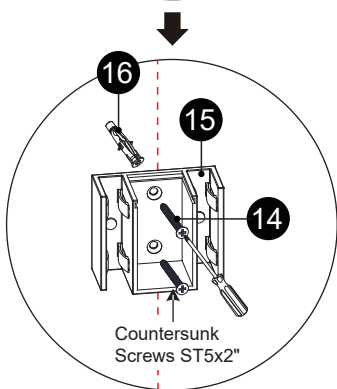
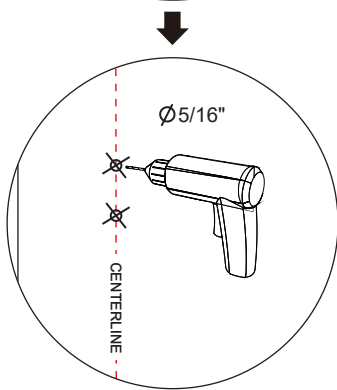
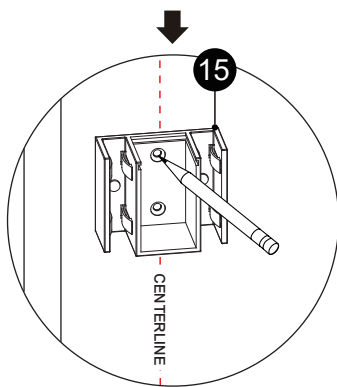
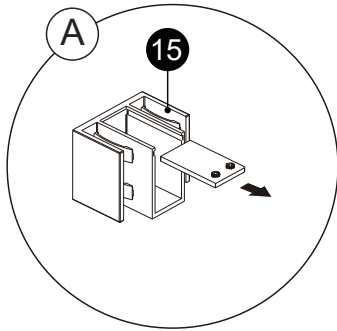
Shower Height	Wall Bracket Location (from installation curb to bottom of bracket)	Gasket A (Gasket at the bottom)
H	$H1 = H - 4 \frac{1}{2}''$	Without Gasket A installed
H	$H1 = H - 4 \frac{3}{8}''$	With Gasket A installed



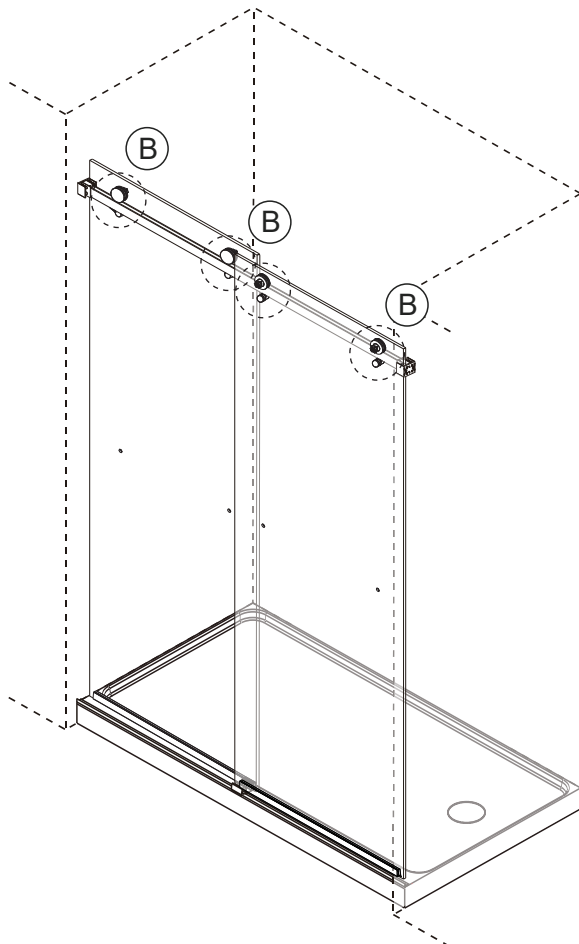
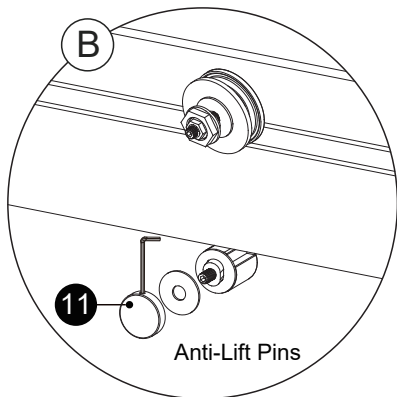
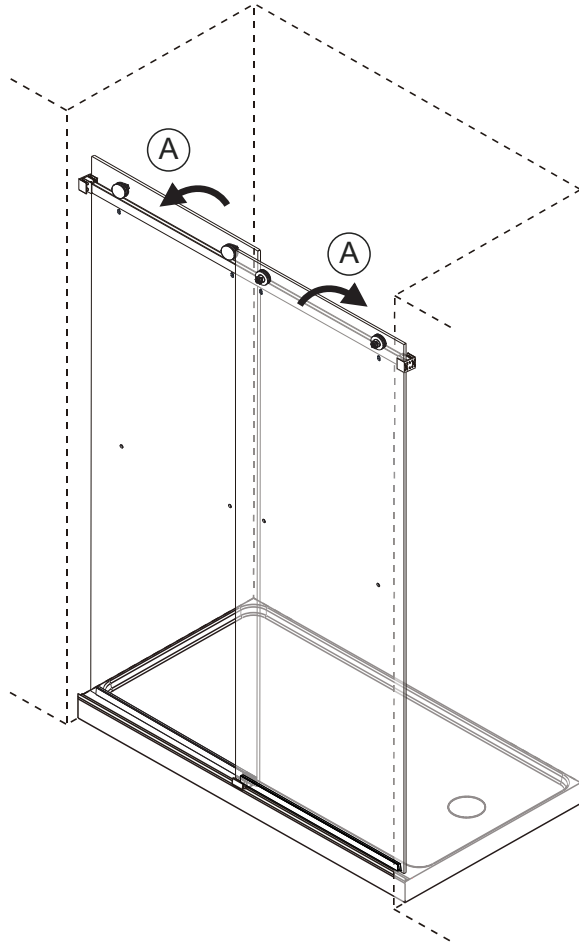
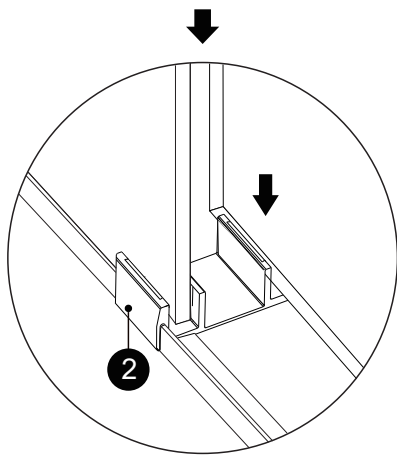
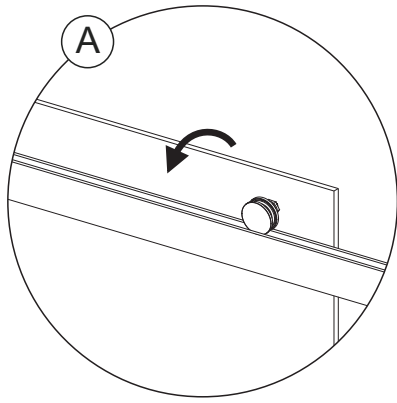
Step 8 - Install soft closing.



Step 9 - Install wall bracket and running rail.

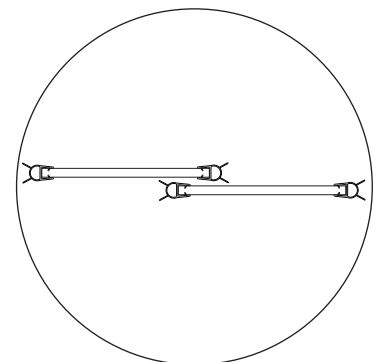
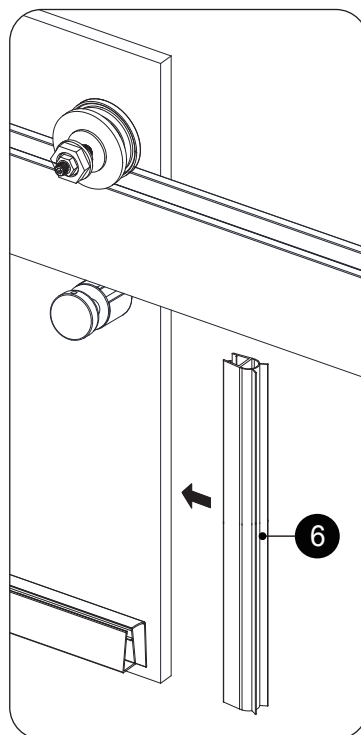
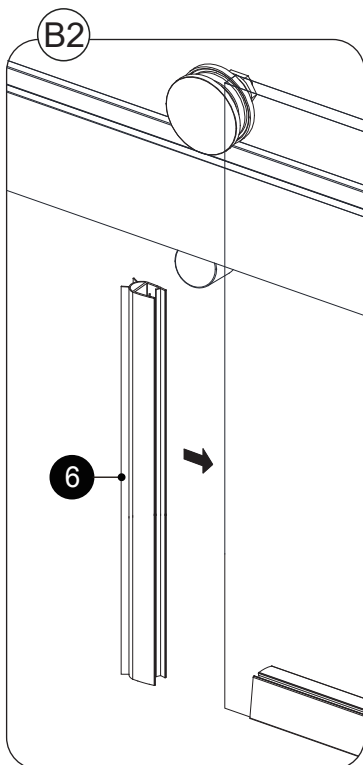
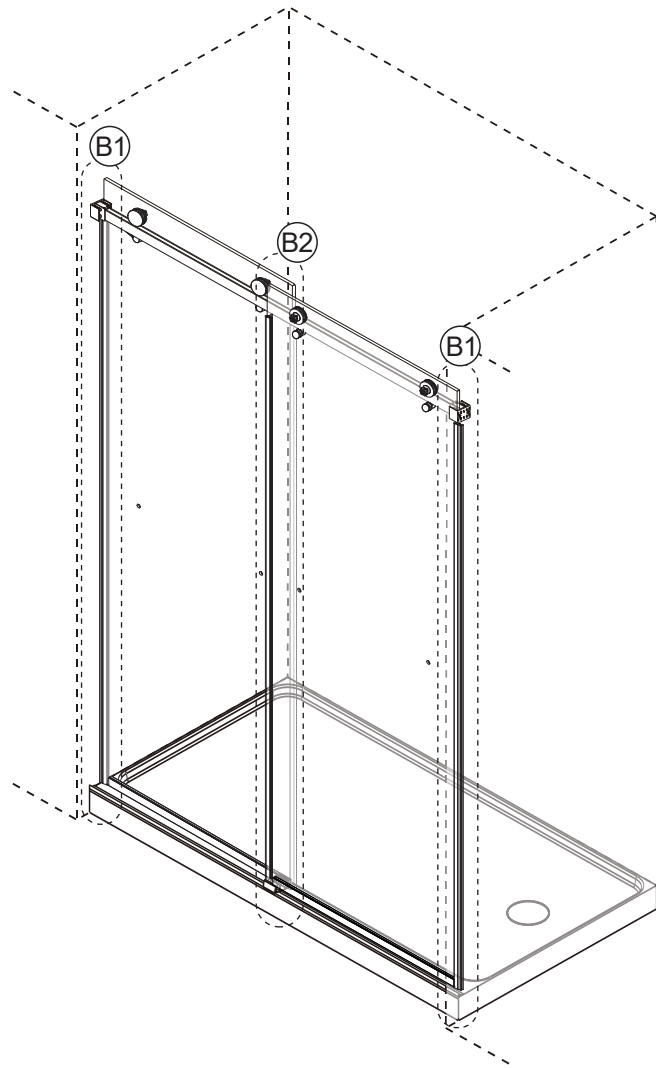
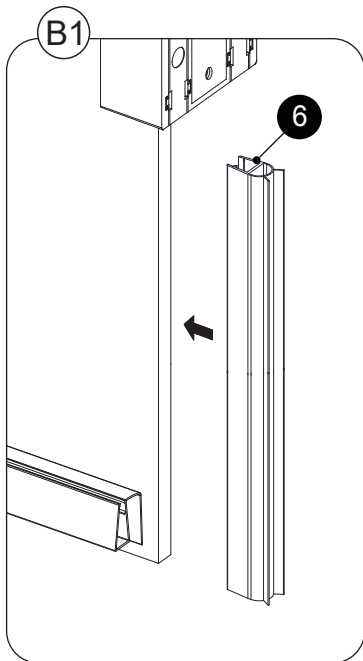
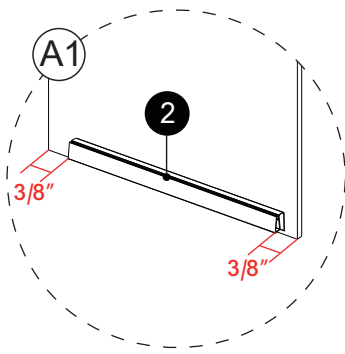


Step 10 - Hang doors and install anti-lift pins.



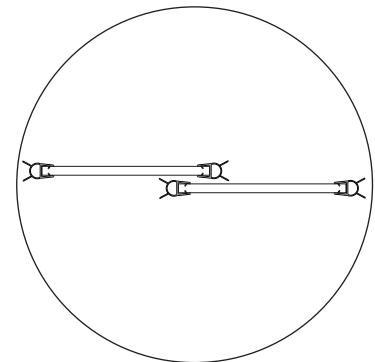
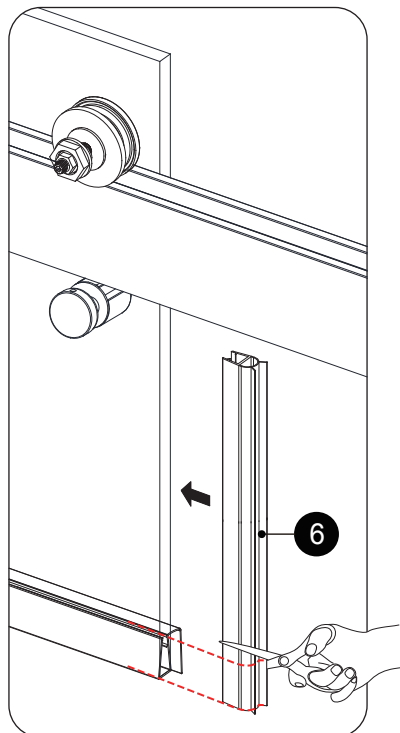
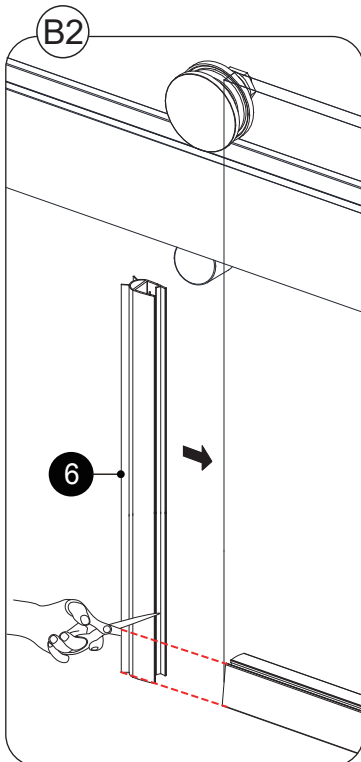
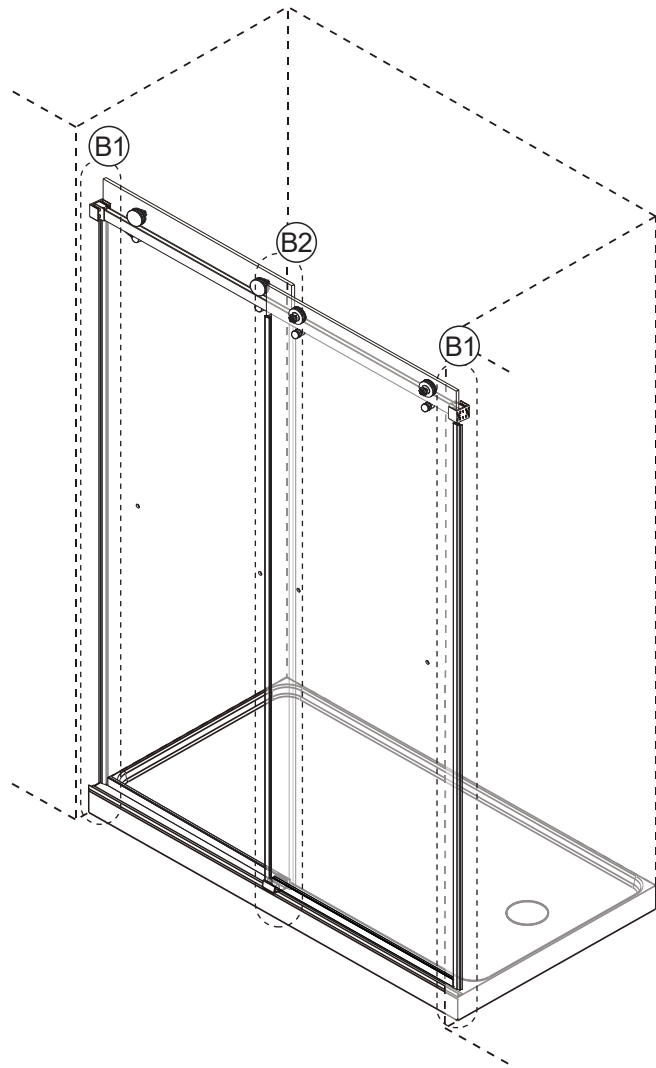
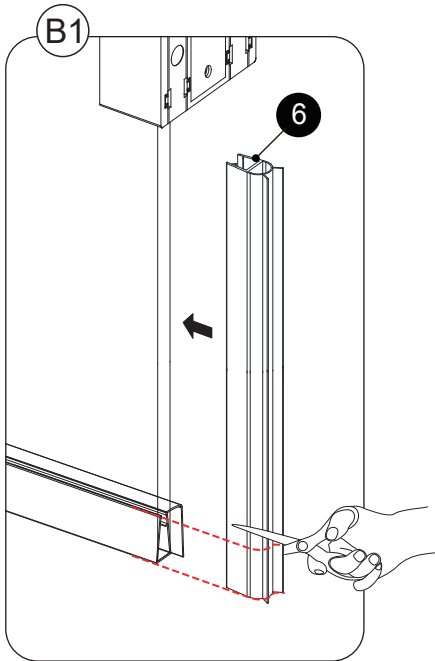
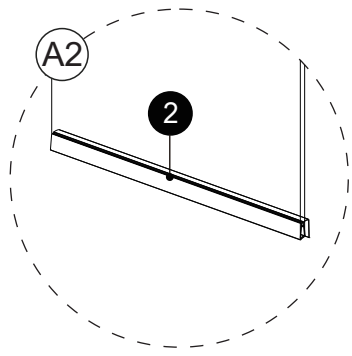
Step 11A - There are two ways of the weather strip installation.

This is method #1

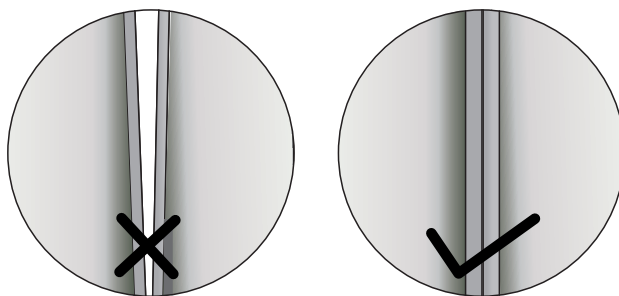
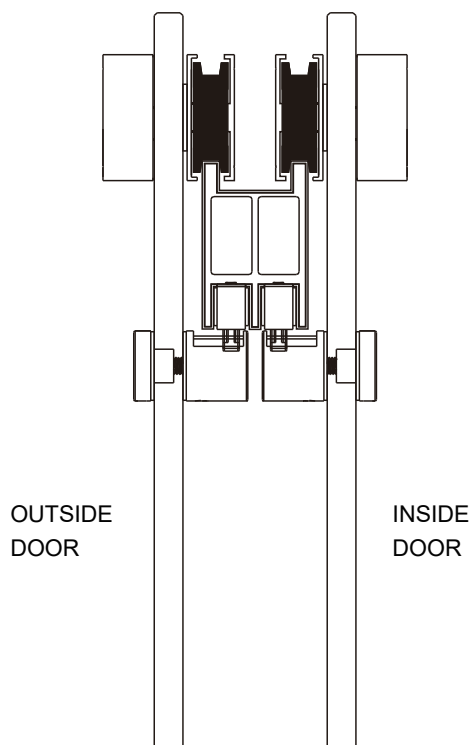


Step 11B - There are two ways of the weather strip installation.

This is method #2

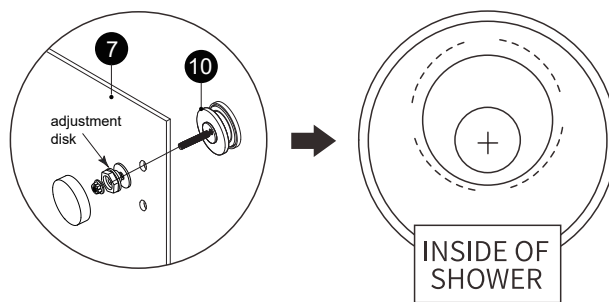
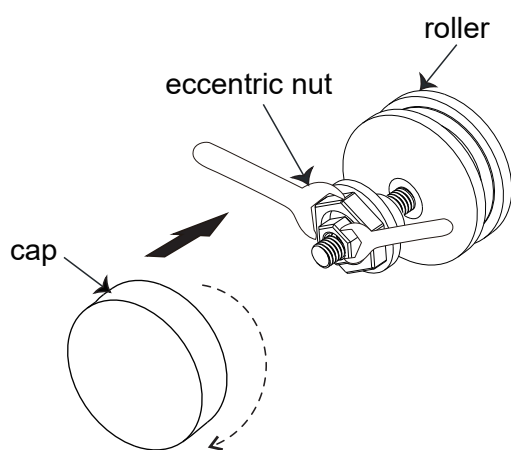


Step 12 - Adjust doors to walls, mark sure there is no gap between the gasket-B and the wall.



Carefully slide the door toward the wall and check the door is sliding smoothly.

Adjust if necessary using offset in rollers, so that the sliding door is parallel to the tray.



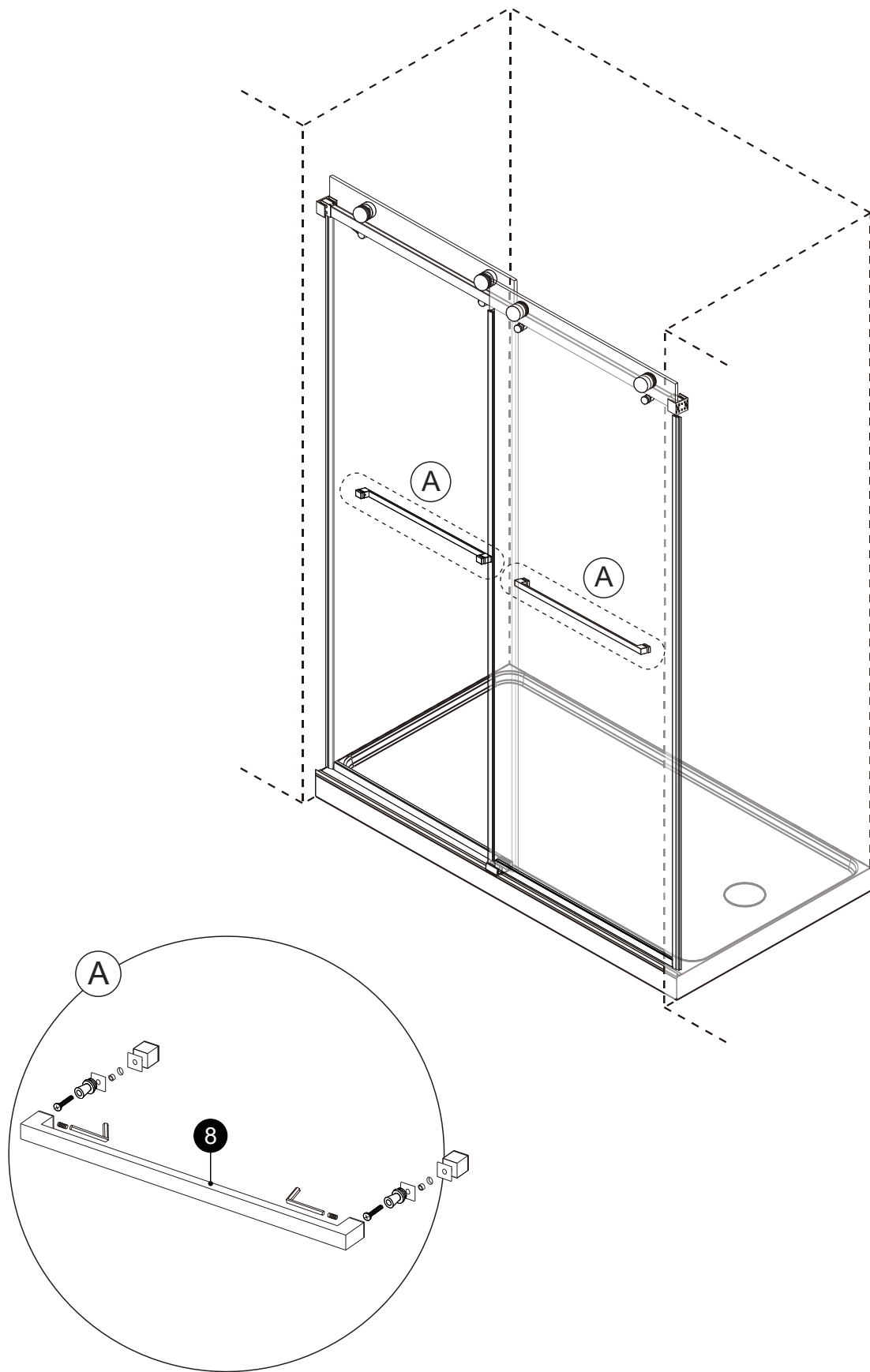
HOW TO ADJUST

Step 1 : Loosen center bolt with hex wrench

Step 2 : Rotate to adjust panel angle with hex wrench

Step 3 : Tighten center bolt

Step 13 - Install towel bars.



Step 14 - Silicone guide and water guard(interior and exterior sides).



24 HOURS

Allow 24 hours for silicone to dry before use.

