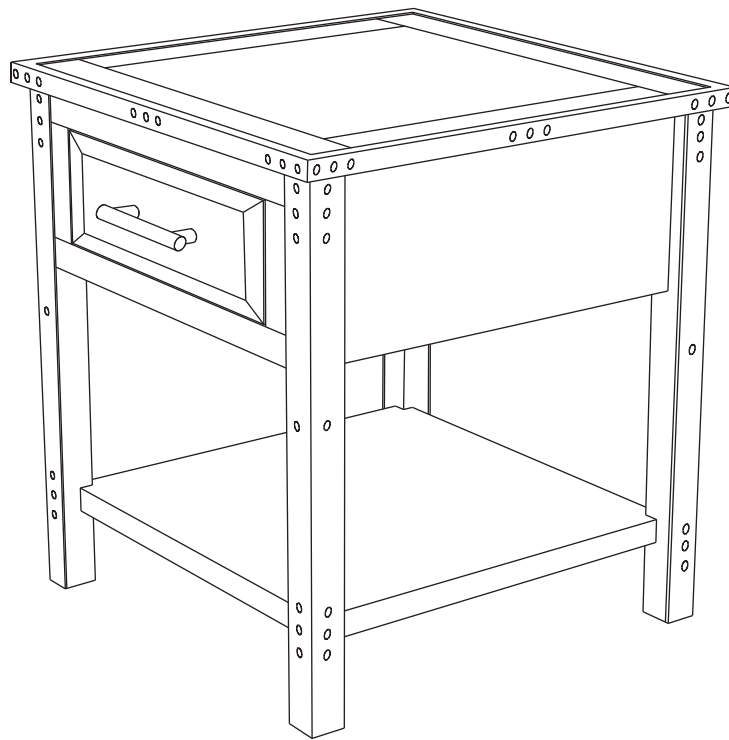


# Assembly Instructions


## CABINET

CAUTION: You must read this before you proceed.



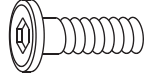

**CAUTION :** This Cabinet is NOT a TOY. Keep your child / children at bay in the process of assembly.  
For turning / flipping the cabinet and to prevent damage to the cabinet, 02 persons may be needed to execute this action.

## Parts List

No.	Picture	Description	Qty
A		Cabinet	1

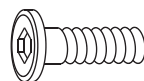
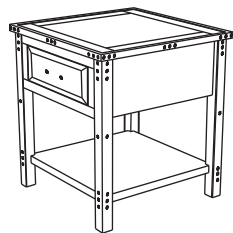
## Hardware

### Cabinet Hardware

No.	Picture	Description	Qty
①		Short Bolts (M6 x 15mm)	1
②		Allen Key	1

## Assembly Preparation

### Before Beginning Assembly:



Read instructions, cover to cover.



Have 2 adults on hand for assembly.



Do not assemble on flooring or carpet.



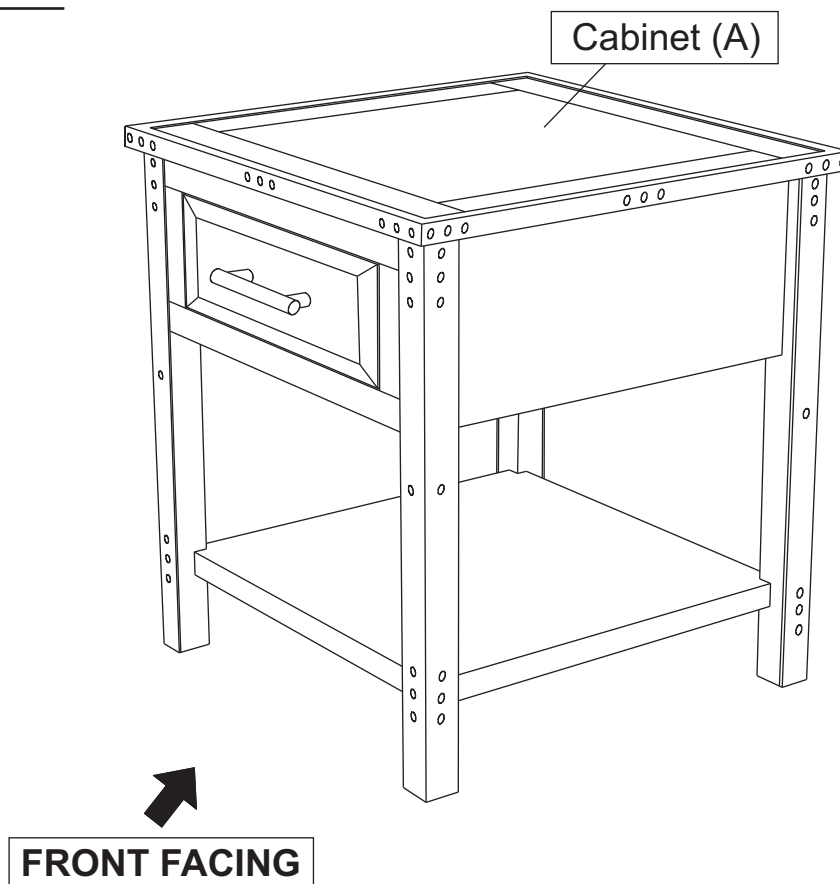
Assemble on a clean non-marring surface (packing foam).



Save all packaging until finished.

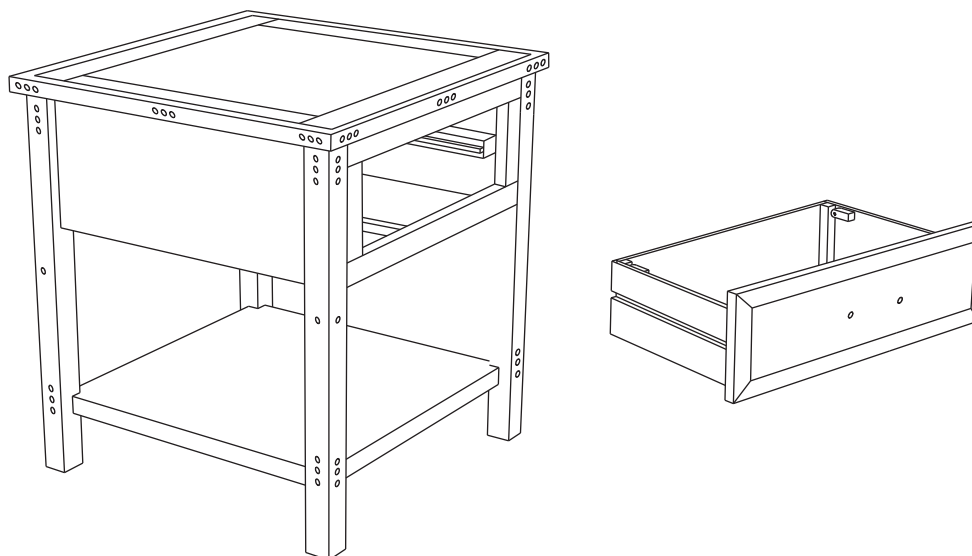
## Assembly Steps

### OVERVIEW



This Cabinet has multiple parts and may require up to 30 minutes to assemble. To give you an overview of the Cabinet parts, the above picture is to help you put the various parts into perspective. Please read through the instructions herebelow to familiarise the parts and steps before assembly.

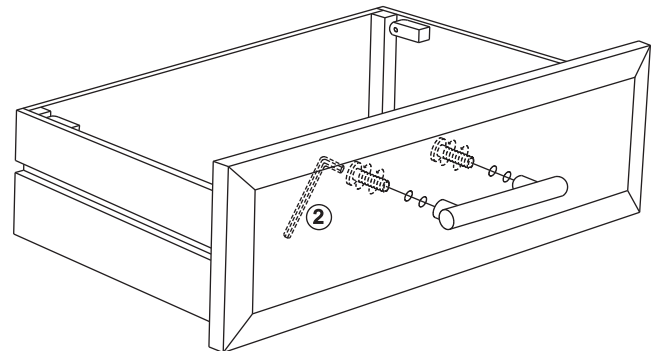
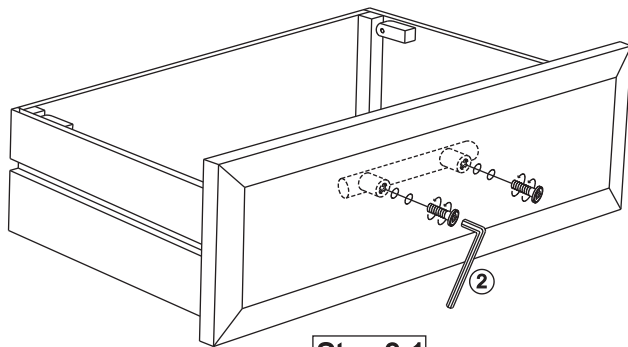
### Step 1



Unpack and place all parts on a clean, non-marring surface.  
In the next step, need upside down the cabinet to assemble. To avoid risk for user, need take out the Drawer of the Cabinet.

## Assembly Steps

### Step 2

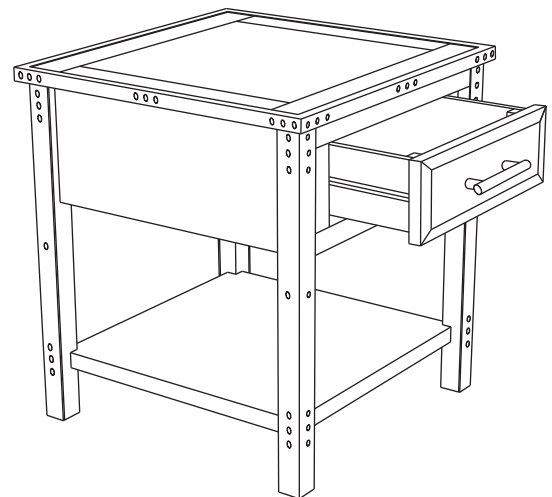
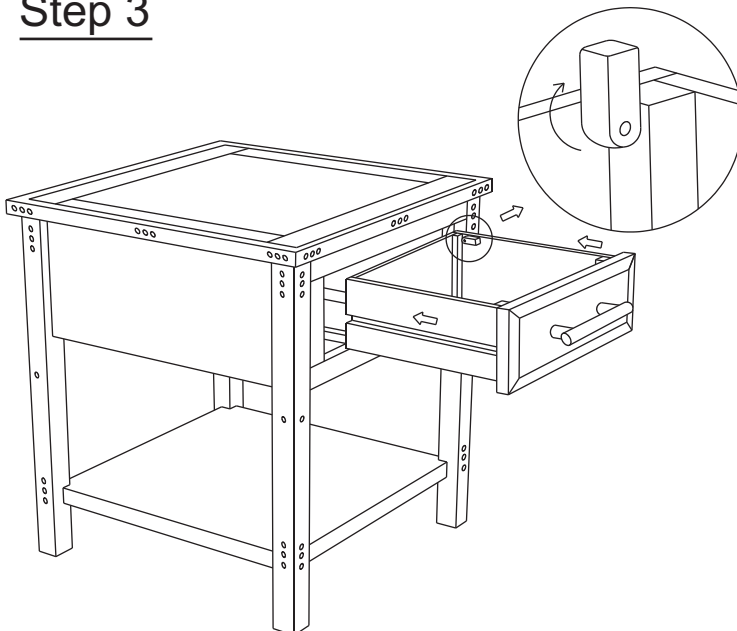


Step 3.1: Using by Allen Key (2), take out the Handle which put in the Drawer as shown in picture.

Step 3.2: To affix the Drawer, align the bolt mounting position of the Handle to the mounting positions at the Drawer.

Insert the Bolts through the mounting position and affix the Handle by the Allen Key (2), as shown in picture.

### Step 3



Turn the cabinet right way up carefully.



















Put the Drawer back into the Cabinet.



Ensure that all bolts of the Handle of the Drawer are fully driven in and locked in.

The Cabinet now is ready to be used.

**Caution: This Cabinet can only be used on a flat, level surface..**

## Care & Maintenance

-    Do not put hot items directly on furniture surface.
-    Do not clean furniture with harsh cleansers or polish.
-    Do not place furniture under direct sunlight.
-    Do not place furniture near heating or cooling vents.
-    Do not write on furniture without a padded barrier to protect the surface.
-    Do not place furniture outside. For indoor use only.
-    Not for commercial use. For residential use only.
-    Stains may be removed with mild soap solution and damp cloth.
-    Children should not climb or jump on the furniture.

- 
-    Dust and pick-up spills using a clean, non-colored, lint-free cloth.